



US00D868870S

(12) **United States Design Patent**
Huang et al.

(10) **Patent No.:** **US D868,870 S**

(45) **Date of Patent:** **** Dec. 3, 2019**

(54) **CAMERA**

(71) Applicant: **Shenzhen Arashi Vision Company Limited**, Shenzhen, Guangdong Province (CN)

(72) Inventors: **Lingwu Huang**, Shenzhen (CN); **Yimin Wang**, Shenzhen (CN)

(73) Assignee: **SHENZHEN ARASHI VISION COMPANY LIMITED**, Shenzhen, Guangdong Province (CN)

(**) Term: **15 Years**

(21) Appl. No.: **29/607,185**

(22) Filed: **Jun. 11, 2017**

(30) **Foreign Application Priority Data**

May 23, 2017 (CN) 2017 3 0194078

(51) **LOC (12) Cl.** **16-01**

(52) **U.S. Cl.**
USPC **D16/210; D16/218**

(58) **Field of Classification Search**
USPC D16/200, 202–208, 218, 219, 242;
348/143, 148, 151, 373–376; 396/419,
396/427, 535, 539–541
CPC G03B 17/02; G03B 19/04; G03B 17/56;
G03B 17/04; G03B 15/03; H04N 5/2251;
H04N 5/2252; H04N 5/2253; H04N
5/2254; H04N 7/181; H04N 7/183; H04N
7/18; G08B 13/1963; G08B 13/19619;
G08B 13/19632

See application file for complete search history.

(56) **References Cited**

U.S. PATENT DOCUMENTS

D527,406 S *	8/2006	Lin	D16/202
D552,649 S *	10/2007	Logan	D16/200
7,429,997 B2 *	9/2008	Givon	G03B 35/00 348/38
D628,223 S *	11/2010	Kao	D16/202
D690,344 S *	9/2013	Hollinger	D16/200
D700,232 S *	2/2014	Ramsay	D16/207
D730,966 S *	6/2015	Liu	D16/202
D741,931 S *	10/2015	Huang	D16/202
D742,955 S *	11/2015	Kozko	D16/207
D745,076 S *	12/2015	Pfeil	D16/207
D750,147 S *	2/2016	Muller	D16/203
D792,496 S *	7/2017	Meyer	D16/207
2011/0128349 A1 *	6/2011	Theobald	H04N 5/23238 348/36

* cited by examiner

Primary Examiner — Ramzi S Almatrahi

(74) *Attorney, Agent, or Firm* — Cheng-Ju Chiang

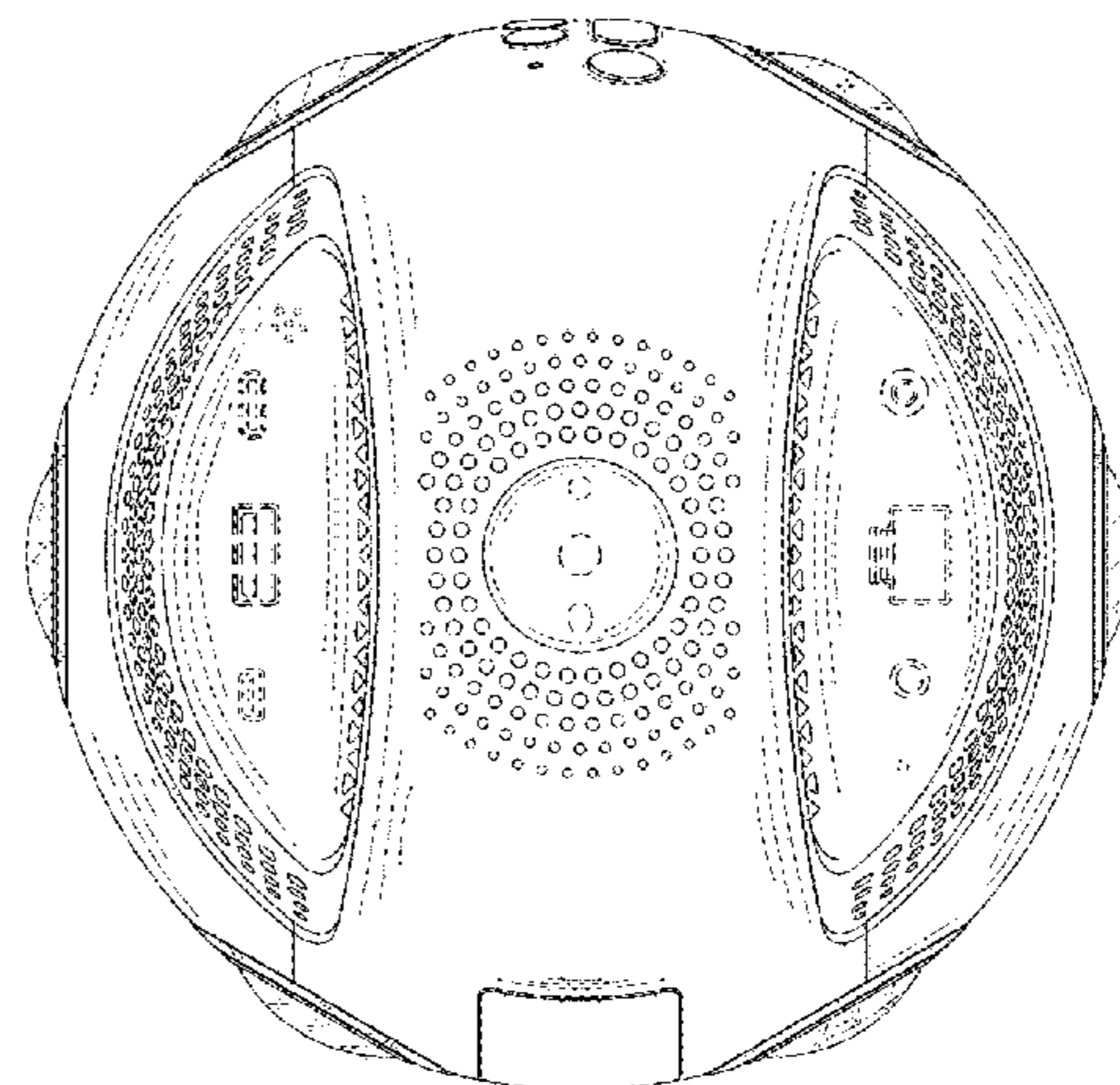
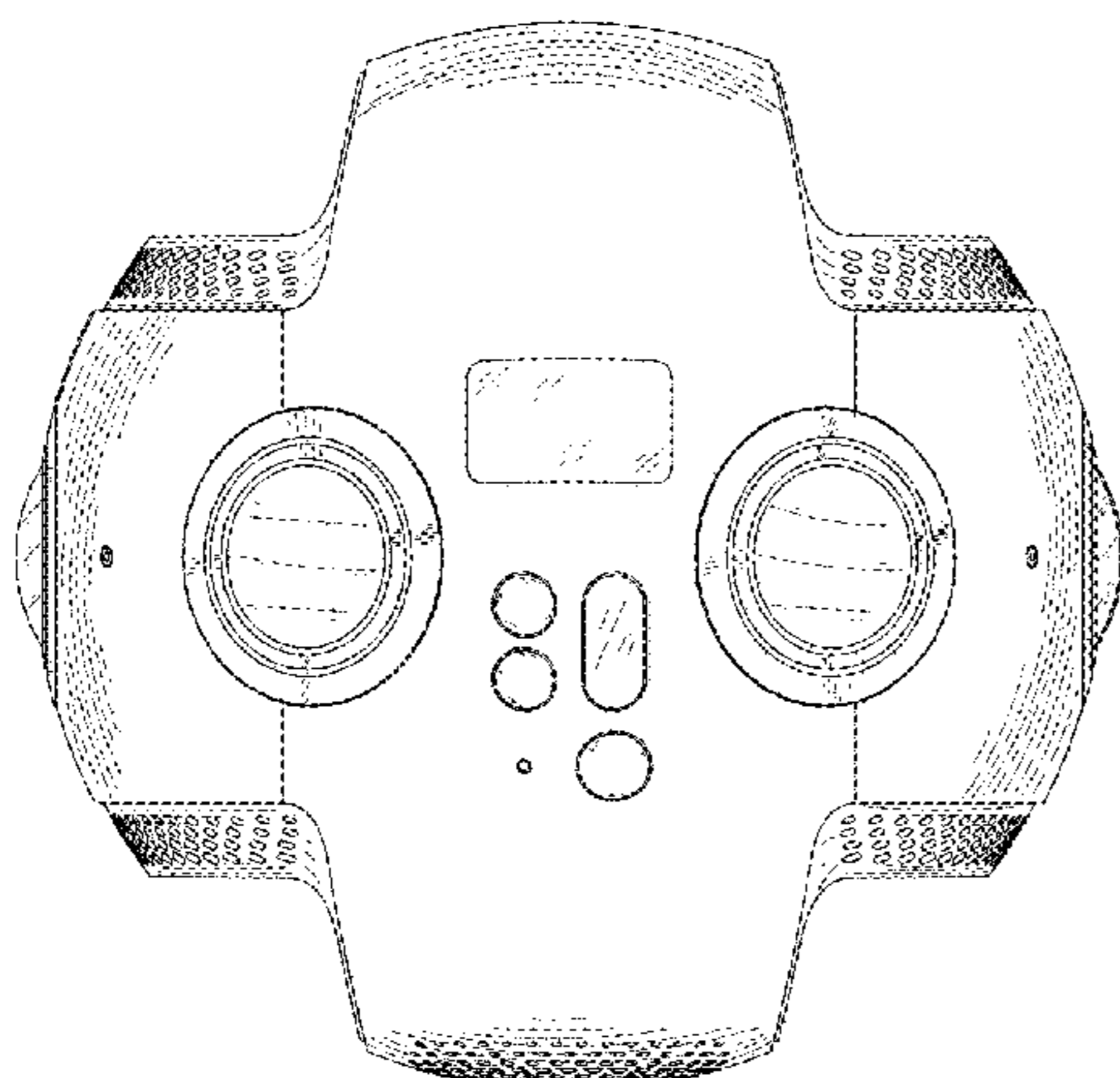
(57) **CLAIM**

The ornamental design for a camera, as shown and described.

DESCRIPTION

FIG. 1 is a front elevational view of a camera showing our new design;
FIG. 2 is a rear elevational view thereof;
FIG. 3 is a left side elevational view thereof;
FIG. 4 is a right side elevational view thereof;
FIG. 5 is a top plan view thereof; and,
FIG. 6 is a bottom plan view thereof.
The broken lines depict portions of the camera in which the design is embodied that form no part of the claimed design.

1 Claim, 6 Drawing Sheets



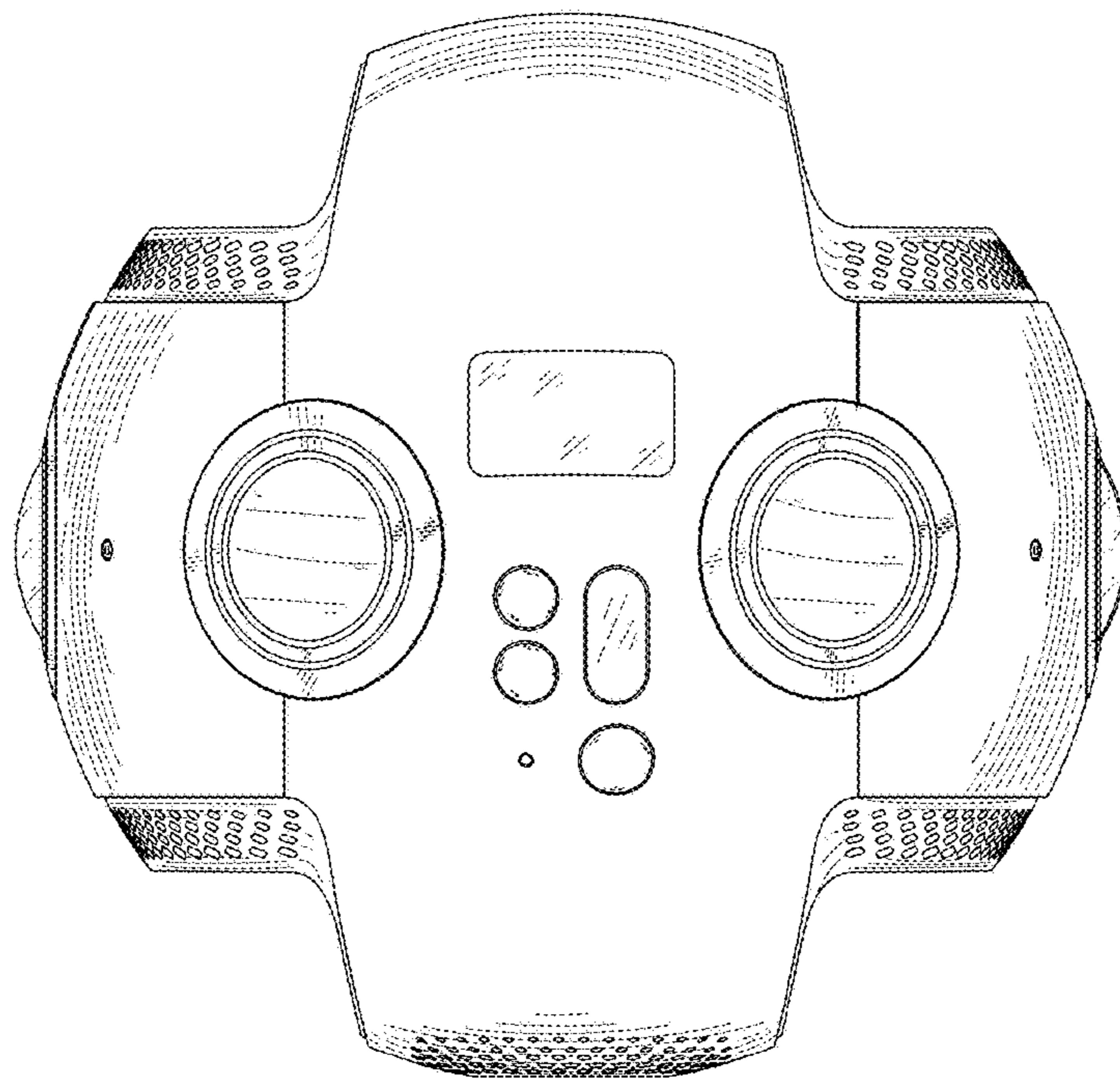


FIG. 1

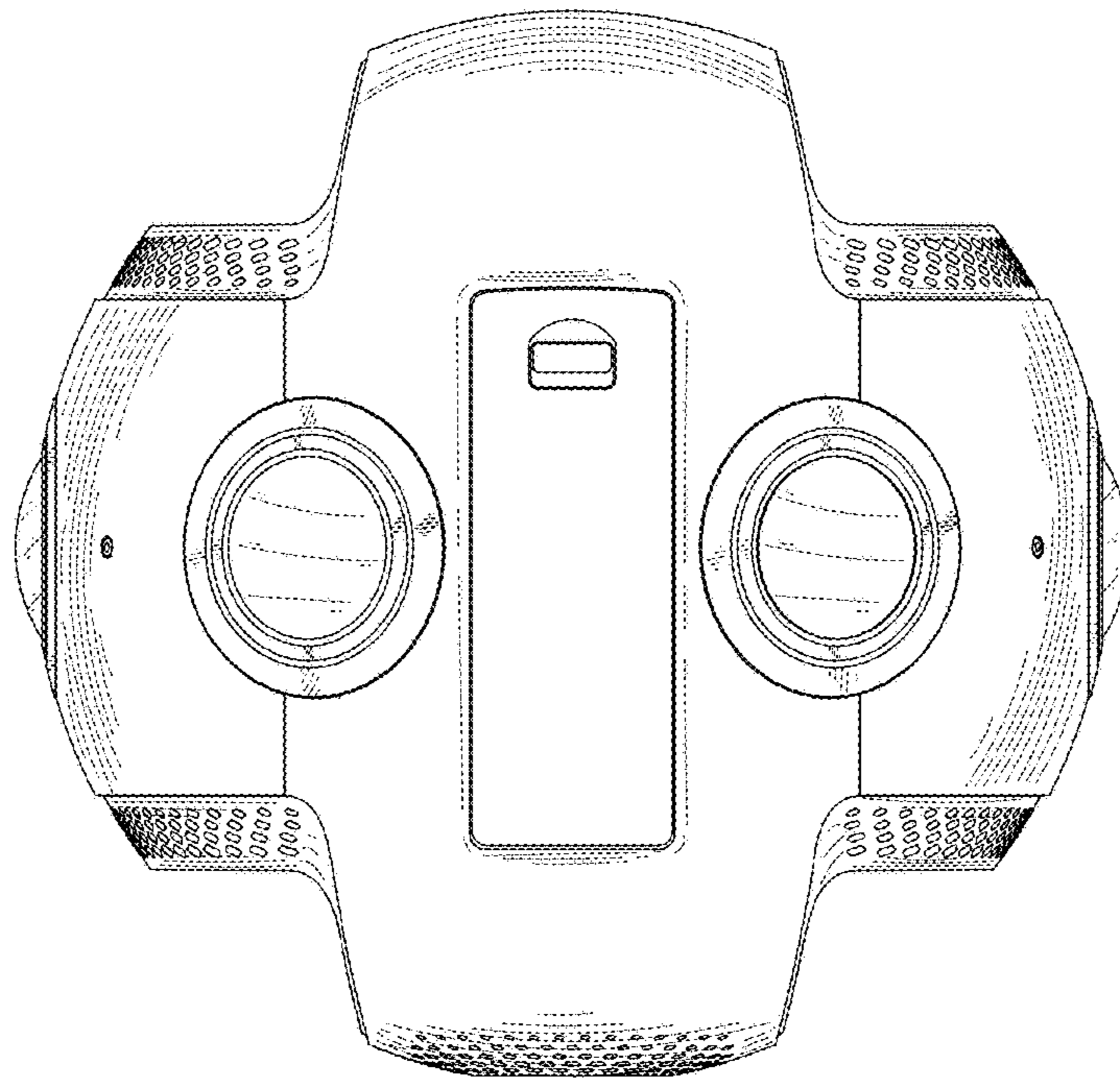


FIG. 2

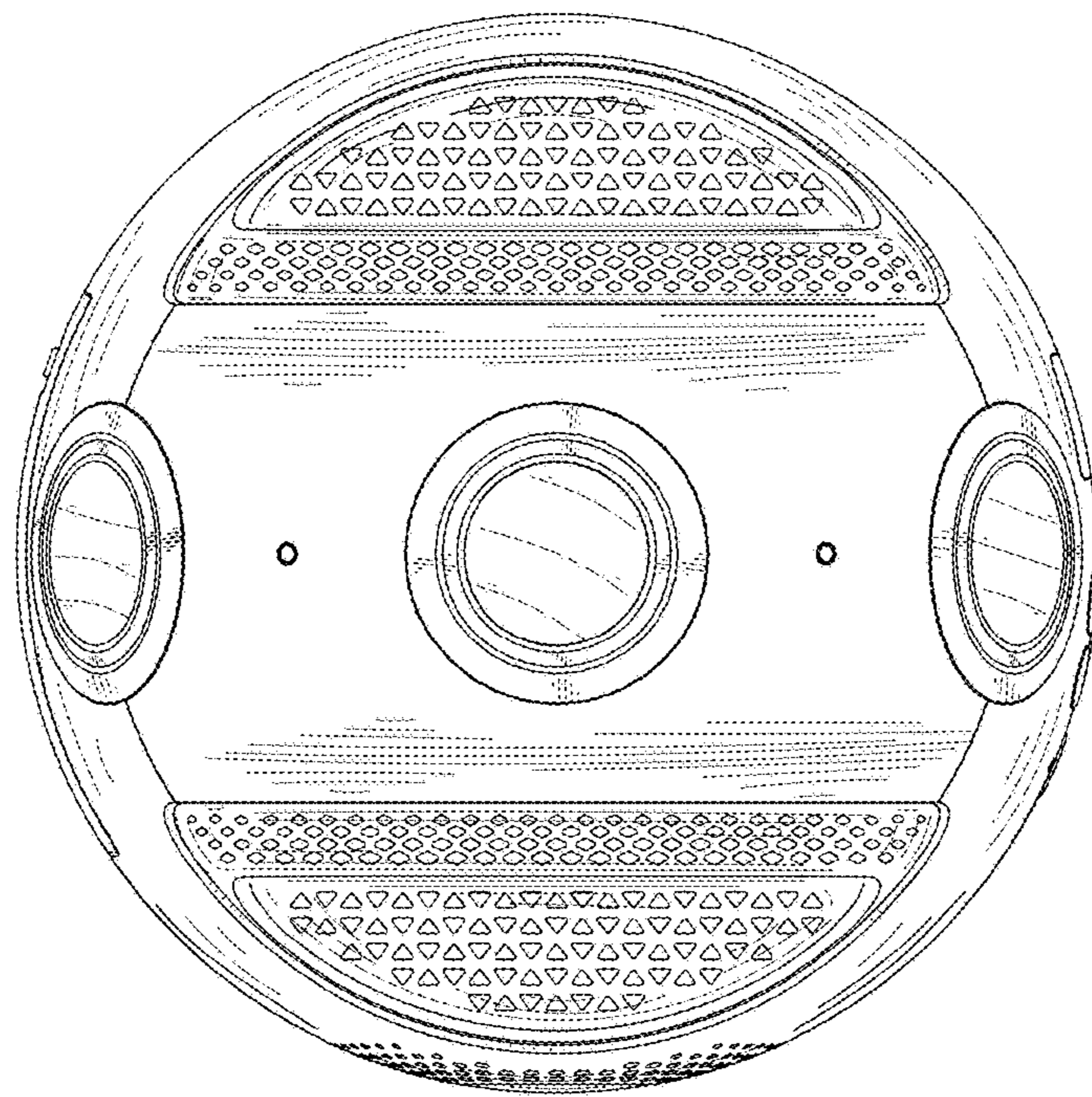


FIG. 3

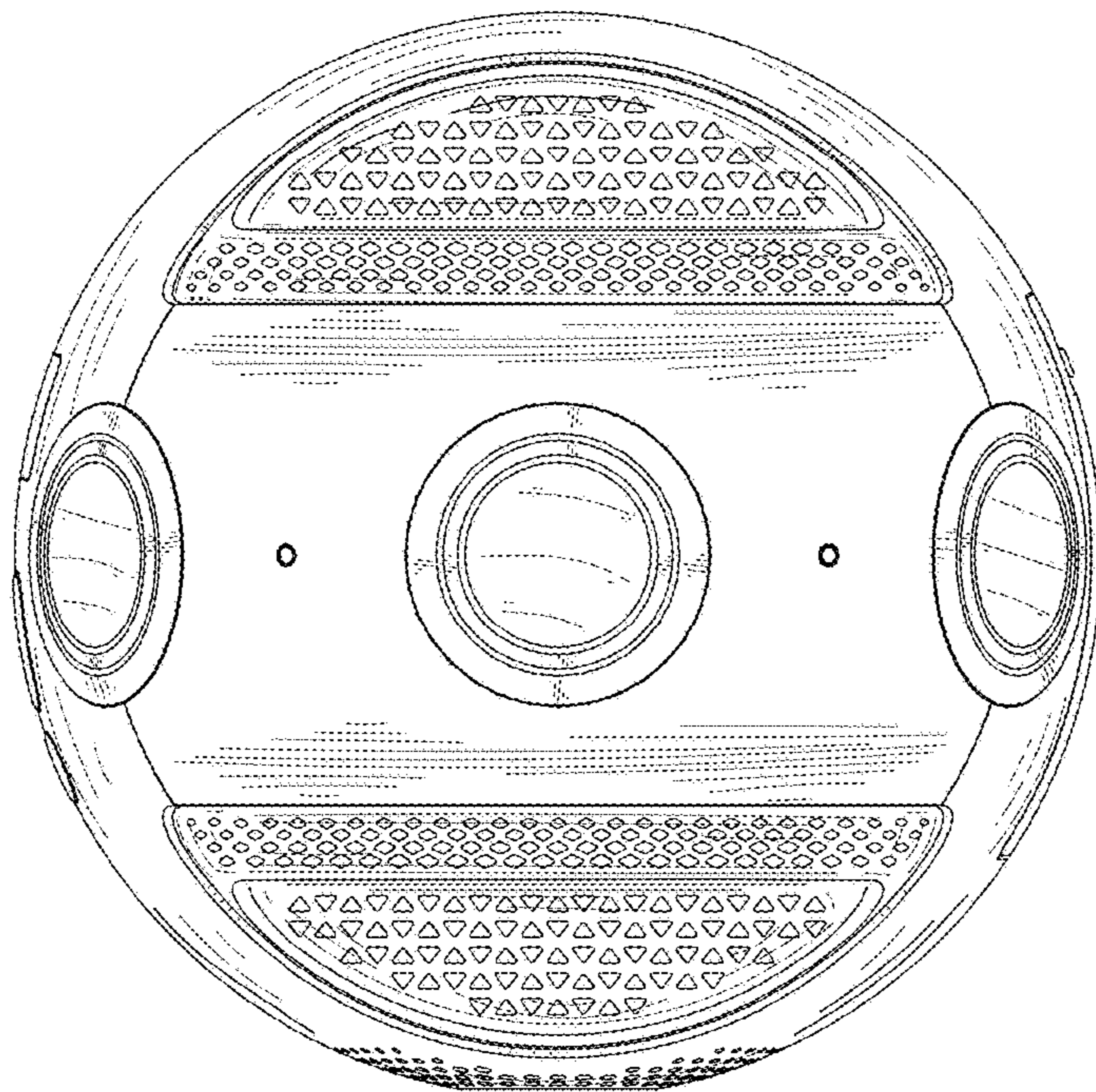


FIG. 4

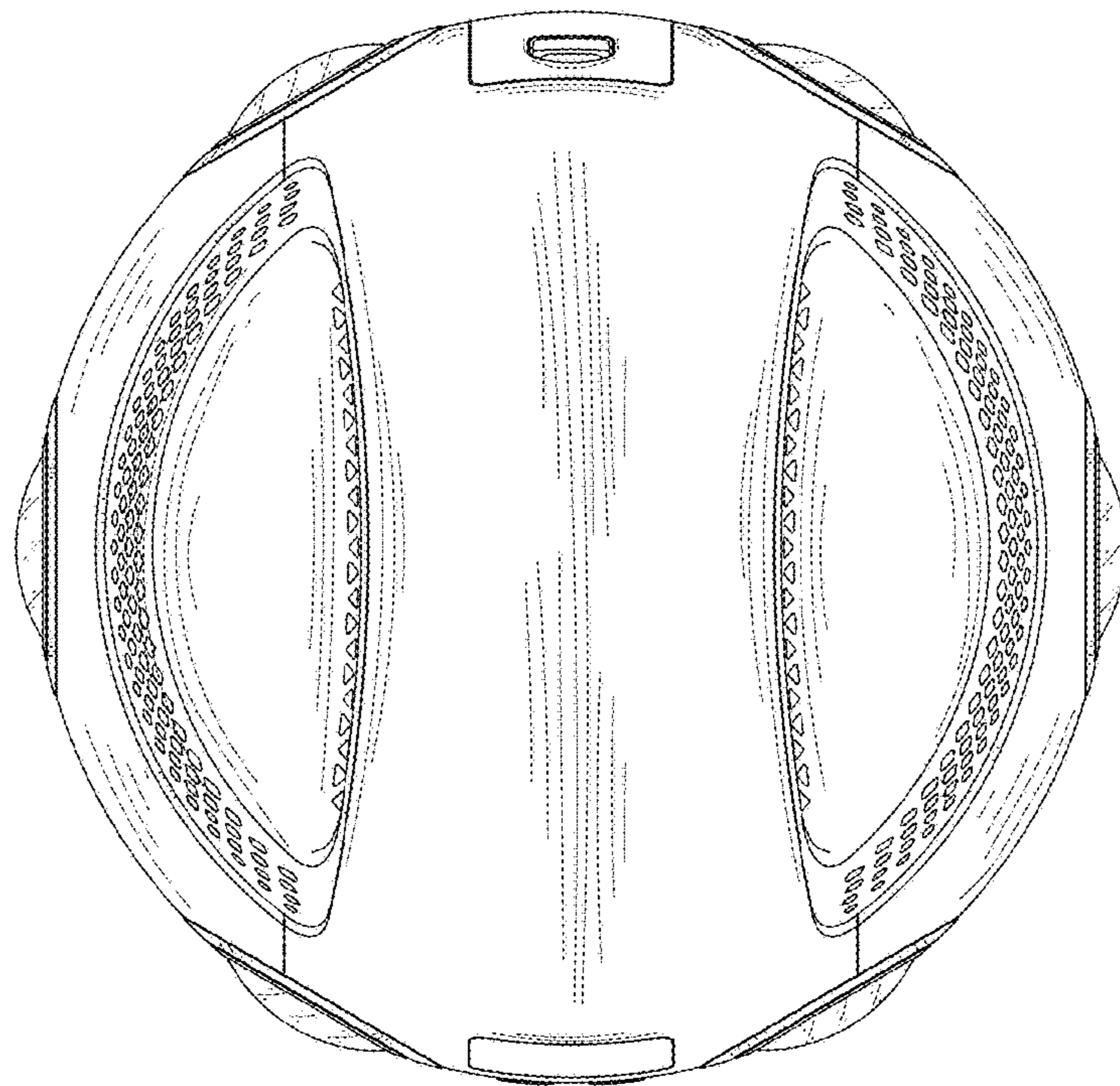


FIG. 5

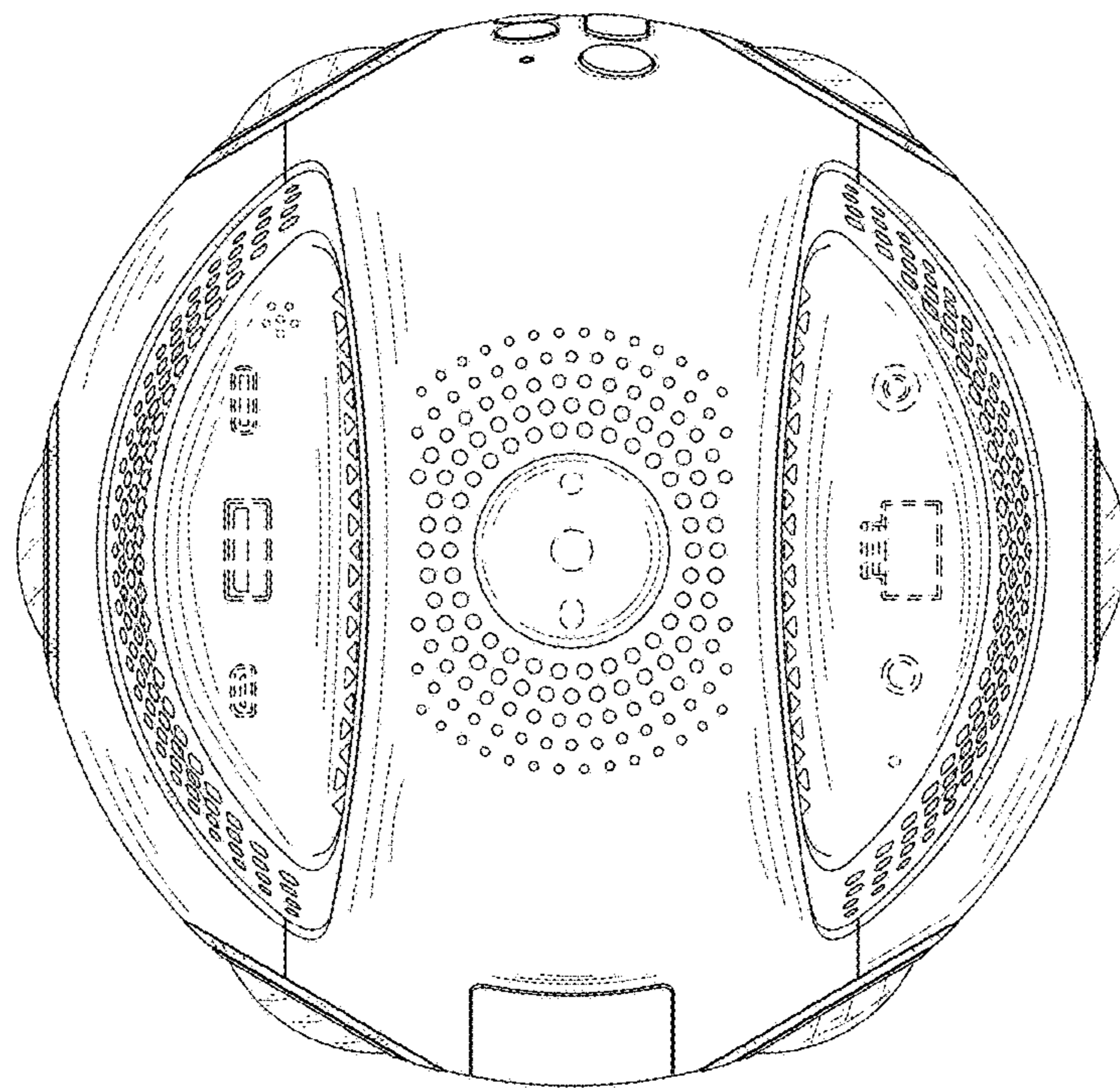


FIG. 6