



US00D868869S

(12) **United States Design Patent**
Hodge

(10) **Patent No.:** **US D868,869 S**

(45) **Date of Patent:** **** Dec. 3, 2019**

(54) **CAMERA SYSTEM**

(71) Applicant: **725-1 CORPORATION**, Palo Alto, CA (US)

(72) Inventor: **Andrew Hodge**, Palo Alto, CA (US)

(73) Assignee: **OWL CAMERAS, INC.**, Palo Alto, CA (US)

(**) Term: **15 Years**

(21) Appl. No.: **29/628,697**

(22) Filed: **Dec. 6, 2017**

Related U.S. Application Data

(63) Continuation-in-part of application No. PCT/US2017/050991, filed on Sep. 11, 2017.

(51) **LOC (12) Cl.** **16-01**

(52) **U.S. Cl.**
USPC **D16/208; D16/218**

(58) **Field of Classification Search**
USPC D16/200, 202–206, 208, 218, 219, 242;
348/373–376; 396/529–532, 535,
396/539–541
CPC G03B 17/02; G03B 19/04; G03B 17/56;
G03B 17/04; G03B 15/03; G03B 17/14;
H04N 5/2251; H04N 5/2252; H04N
5/2253; H04N 5/2254; G02B 7/02; G02B
7/04; G02B 7/14
See application file for complete search history.

(56) **References Cited**

U.S. PATENT DOCUMENTS

- 687,968 A * 12/1901 Reber B65D 5/2009
206/8
- 3,259,153 A * 7/1966 Haase B65D 11/10
141/110
- 5,694,295 A * 12/1997 Mochizuki F28D 15/0233
15/233

- D441,823 S * 5/2001 Blackhurst D21/797
- D460,773 S * 7/2002 Arbuckle D16/203
- D471,888 S * 3/2003 Solland D14/204

(Continued)

Primary Examiner — Ramzi S Almatrahi

(74) *Attorney, Agent, or Firm* — Marton Ribera
Schumann & Chang LLP; Hector J. Ribera; Chien-Ju
Alice Chuang

(57) **CLAIM**

The ornamental design for a camera system, as shown and described.

DESCRIPTION

FIG. 1 is a front perspective view of a first embodiment of a camera system in accordance with the present invention. FIG. 2 is a back perspective view of the camera system in FIG. 1.

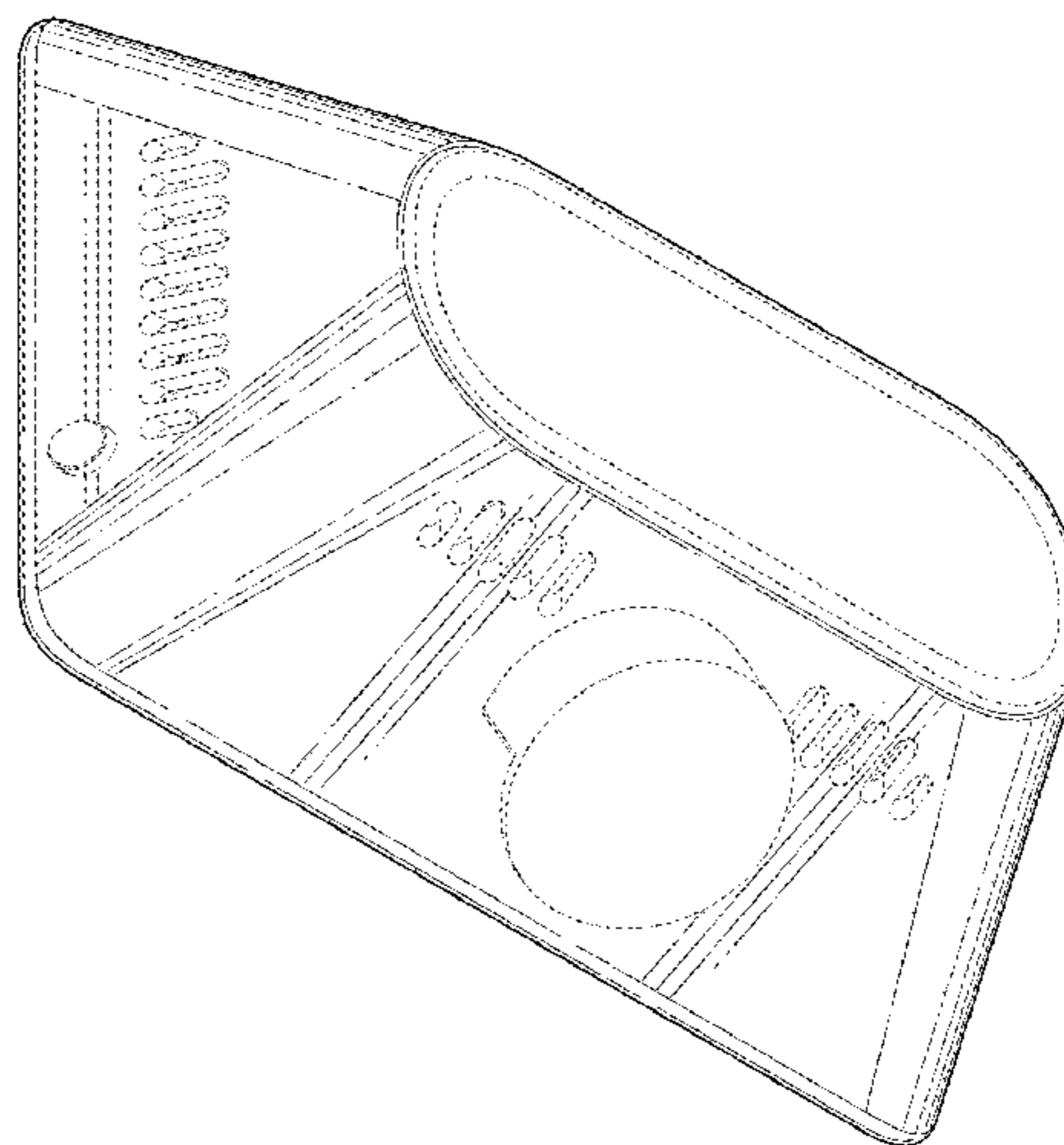
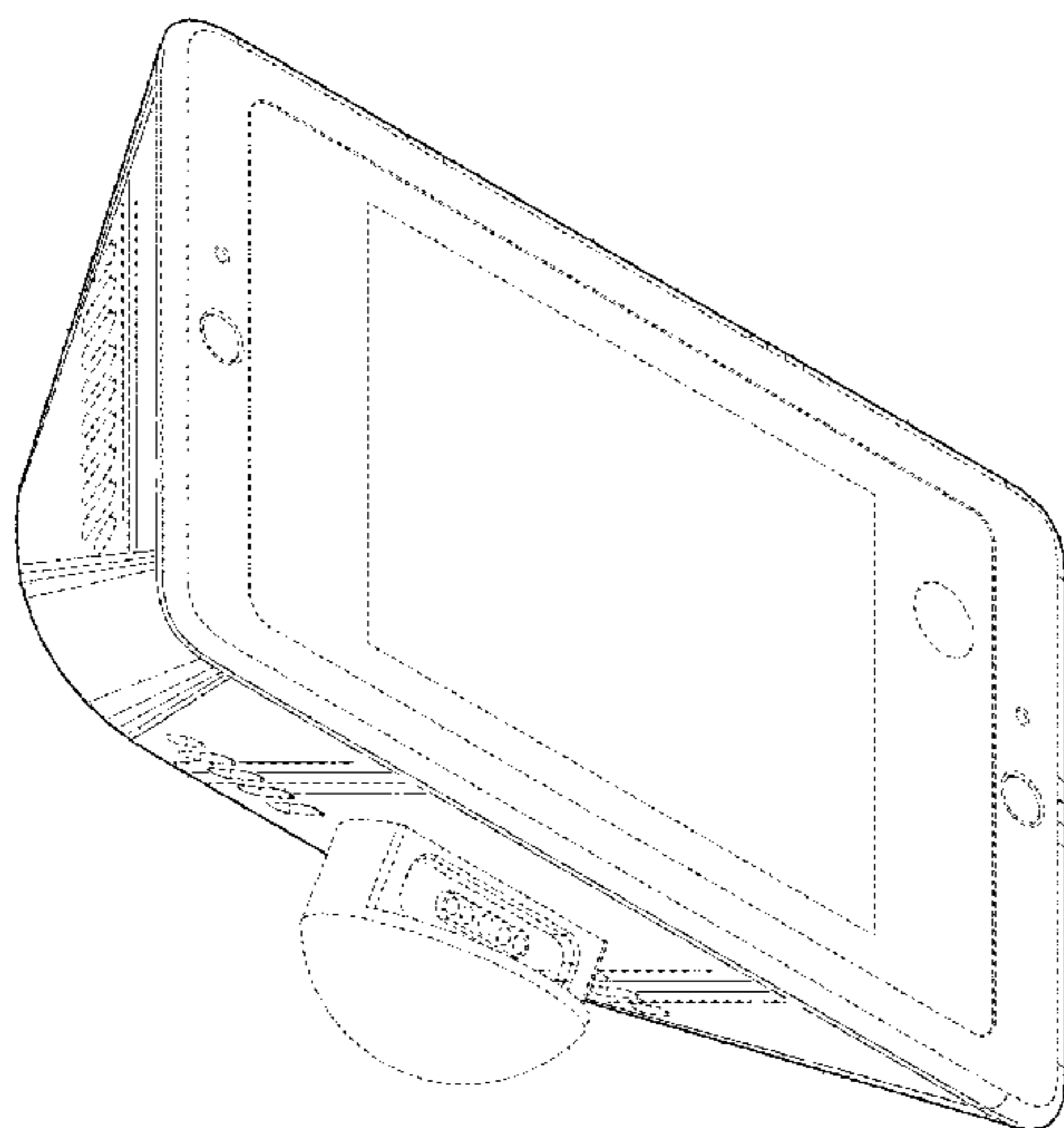
FIG. 3 is a front view of the camera system in FIG. 1. FIG. 4 is a back view of the camera system in FIG. 1. FIG. 5 is a left view of the camera system in FIG. 1. FIG. 6 is a right view of the camera system in FIG. 1. FIG. 7 is a bottom view of the camera system in FIG. 1. FIG. 8 is a top view of the camera system in FIG. 1.

FIG. 9 is a front perspective view of a second embodiment of a camera system in accordance with the present invention. FIG. 10 is a back perspective view of the camera system in FIG. 9.

FIG. 11 is a front view of the camera system in FIG. 9. FIG. 12 is a back view of the camera system in FIG. 9. FIG. 13 is a left view of the camera system in FIG. 9. FIG. 14 is a right view of the camera system in FIG. 9. FIG. 15 is a bottom view of the camera system in FIG. 9; and, FIG. 16 is a top view of the camera system in FIG. 9.

The broken lines depict portions of the camera system in which the design is embodied that form no part of the claimed design.

1 Claim, 16 Drawing Sheets



(56)

References Cited

U.S. PATENT DOCUMENTS

D510,198 S *	10/2005	Willardson	D6/328
D551,275 S *	9/2007	Kim	D16/202
D583,575 S *	12/2008	Goldman	D6/328
D625,114 S *	10/2010	Gouldson	D6/328
D632,097 S *	2/2011	Chan	D6/328
D661,111 S *	6/2012	Yau	D6/328
D733,784 S *	7/2015	Yamashita	D16/218
D747,390 S *	1/2016	Roth	D16/218
D748,711 S *	2/2016	Roth	D16/218
D849,086 S *	5/2019	Russo	D16/202

* cited by examiner

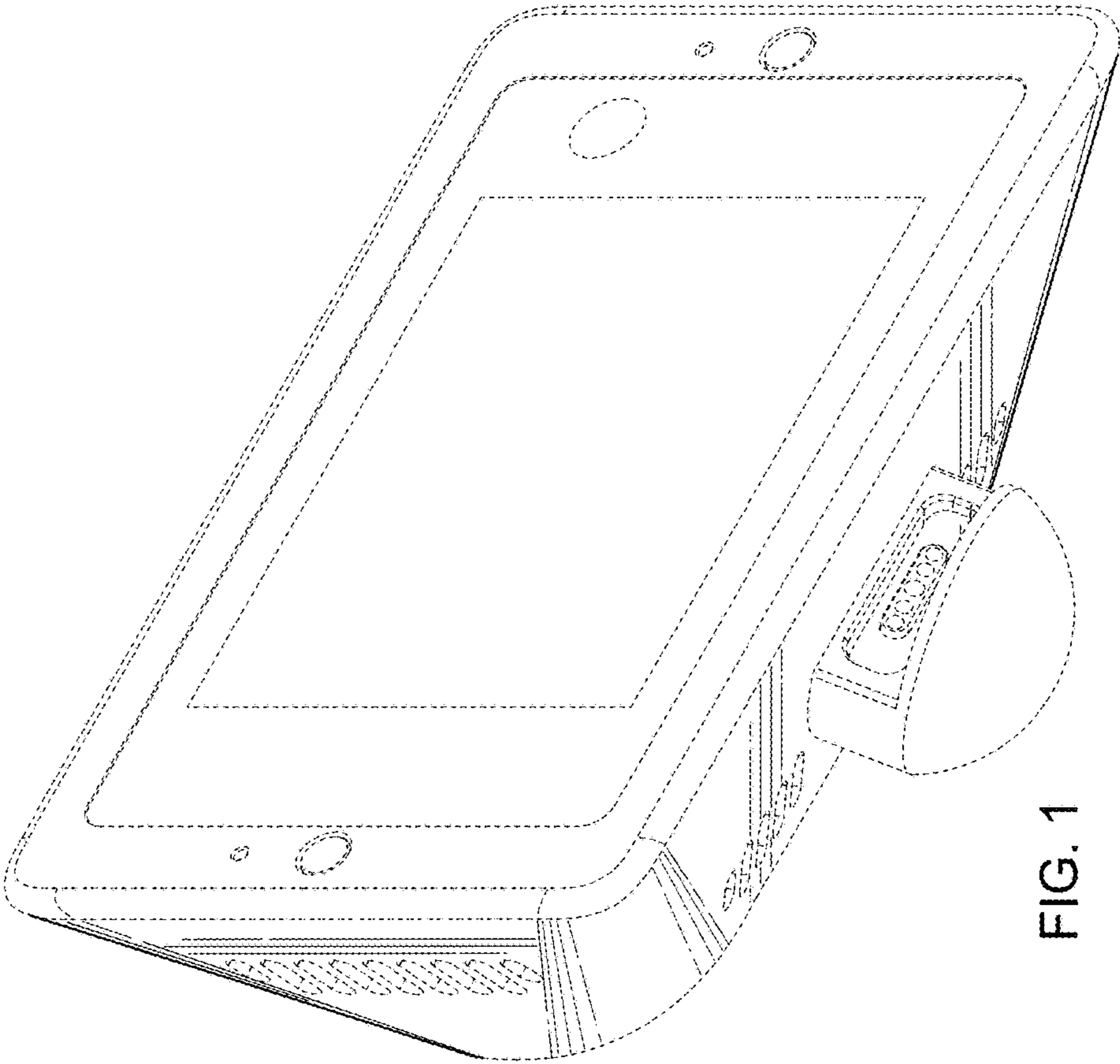


FIG. 1

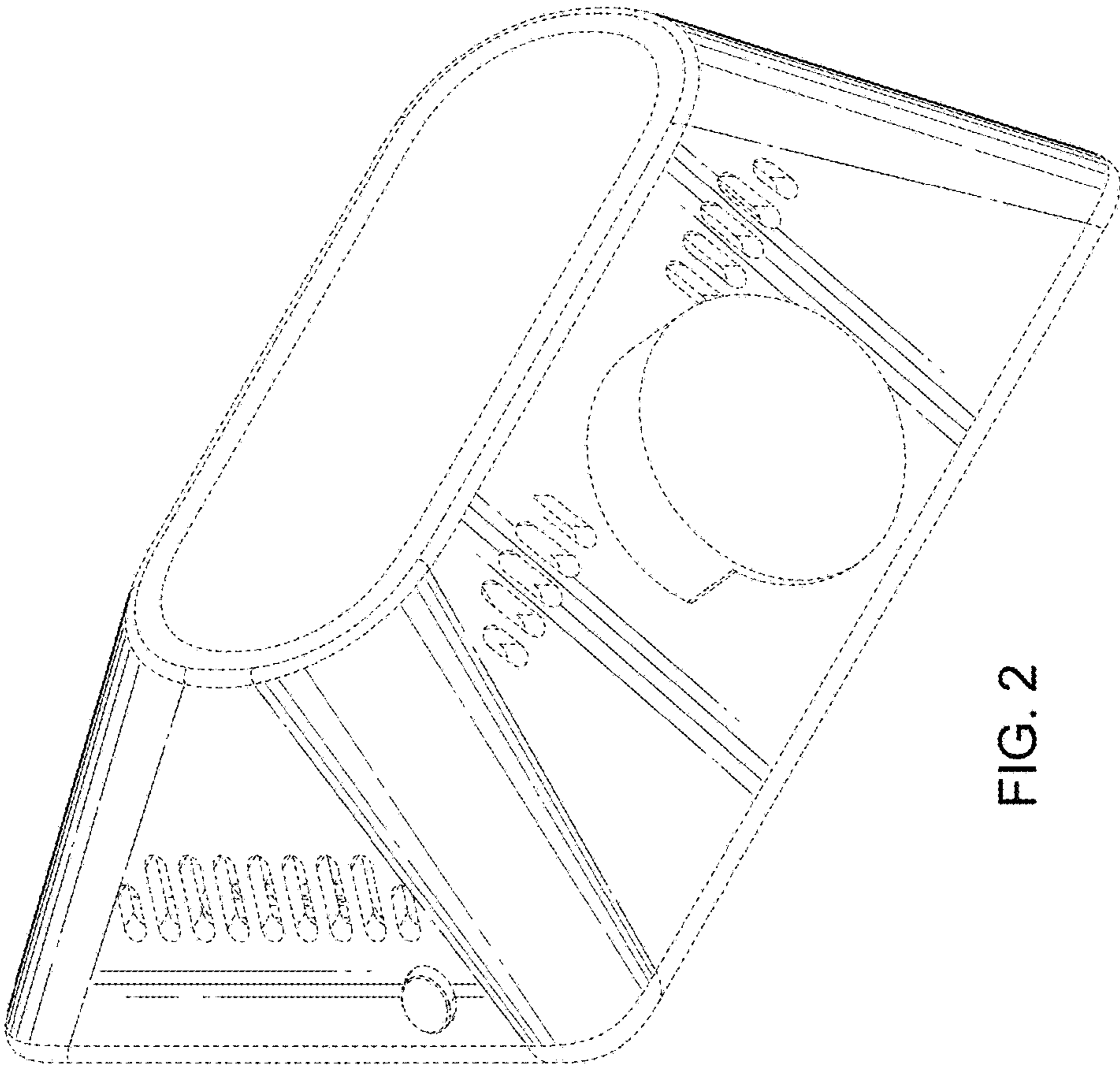


FIG. 2

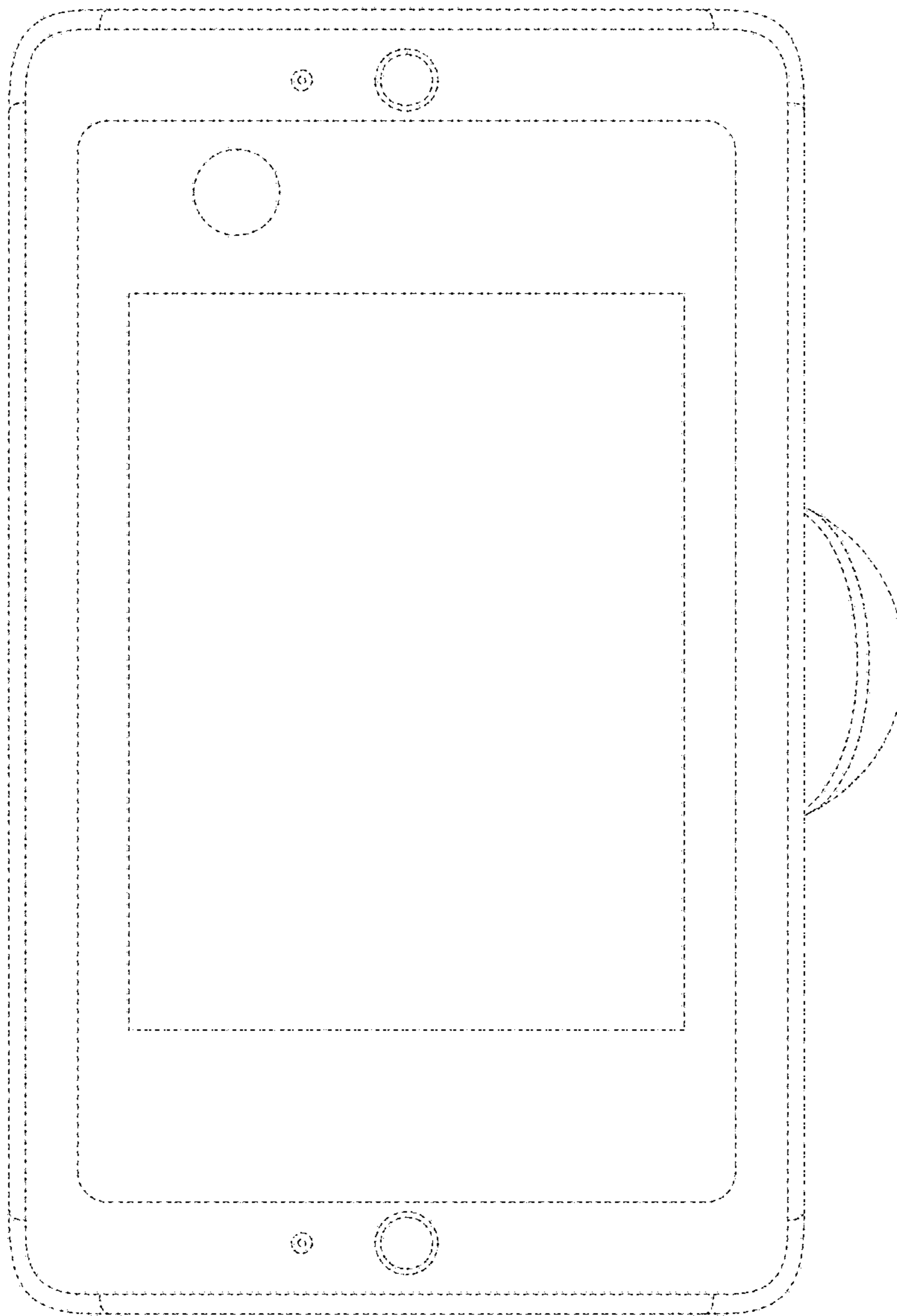


FIG. 3

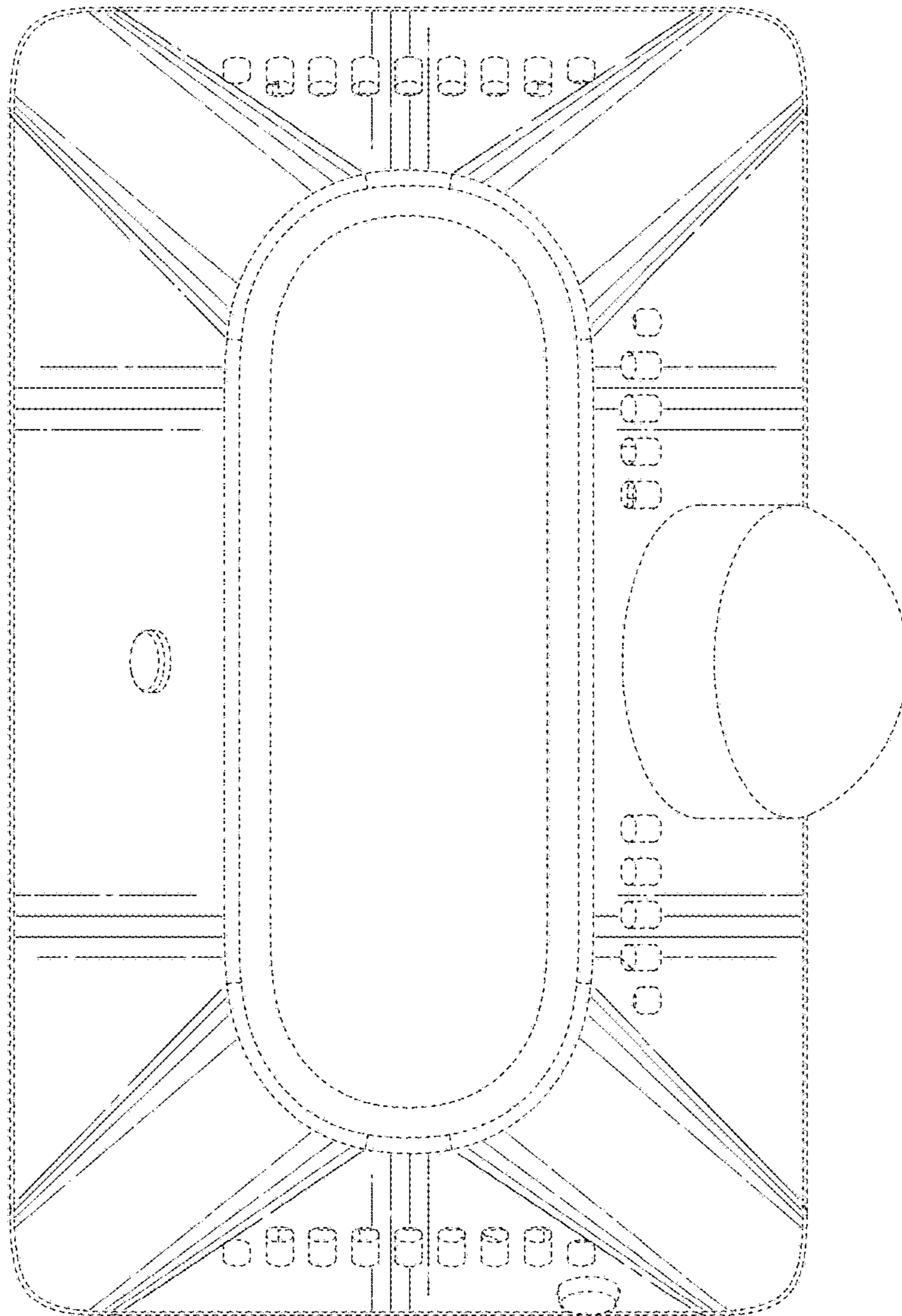


FIG. 4

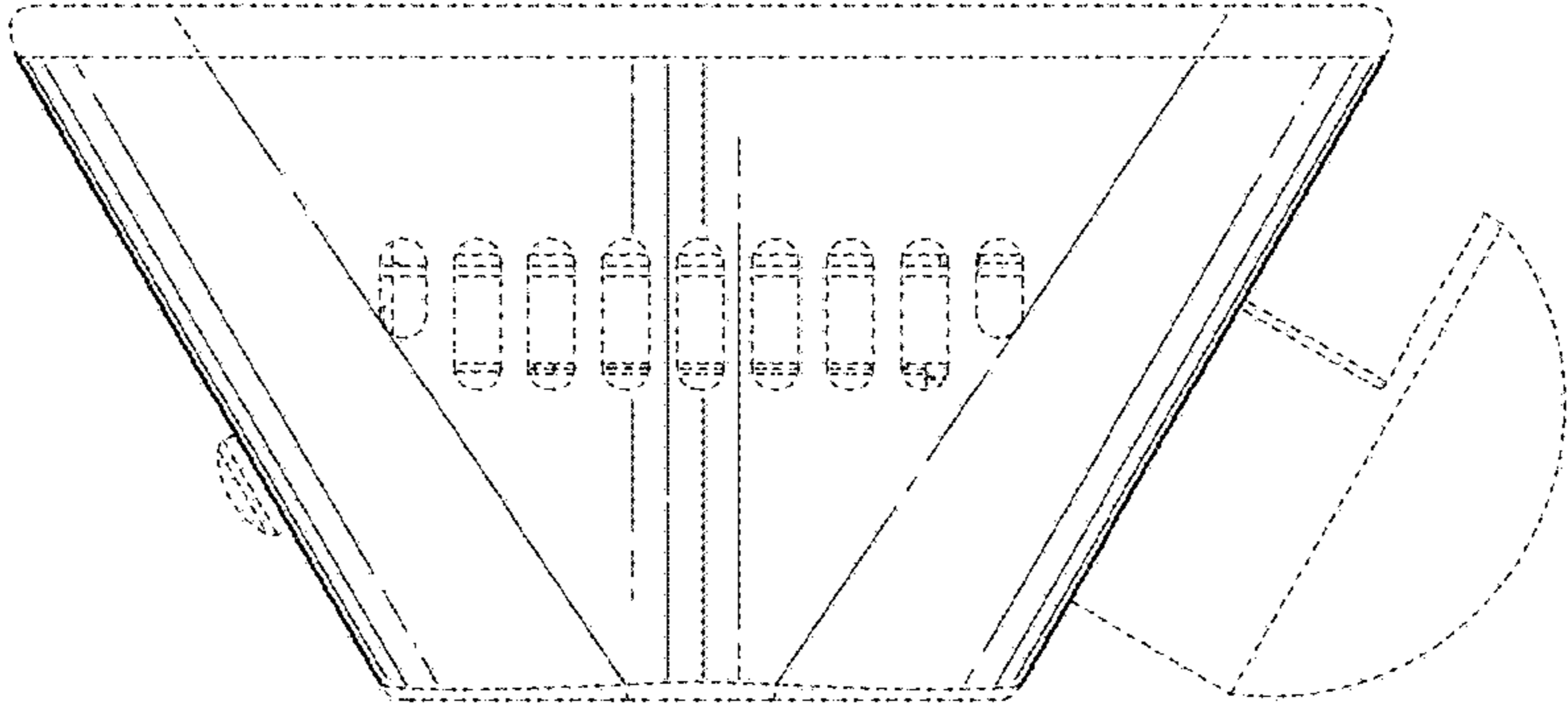


FIG. 5

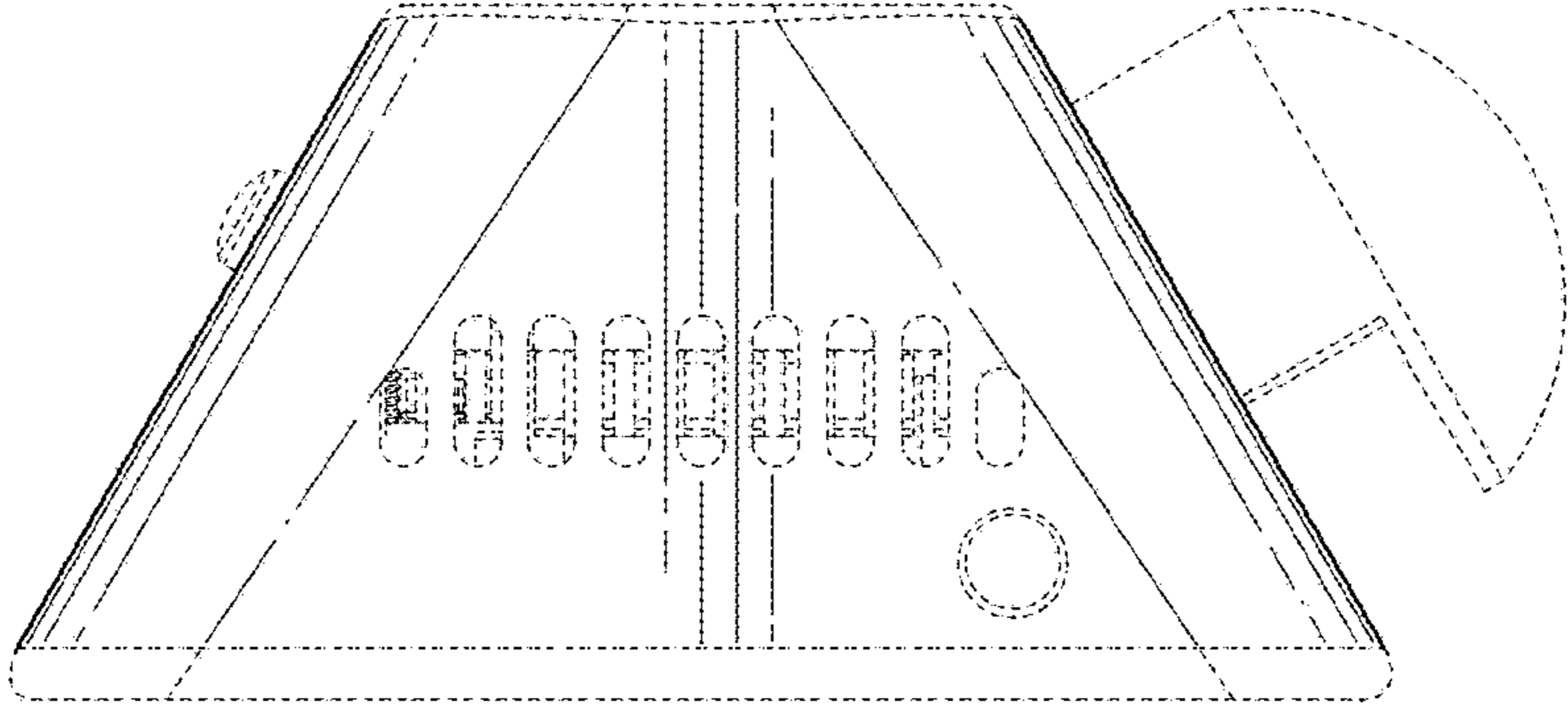


FIG. 6

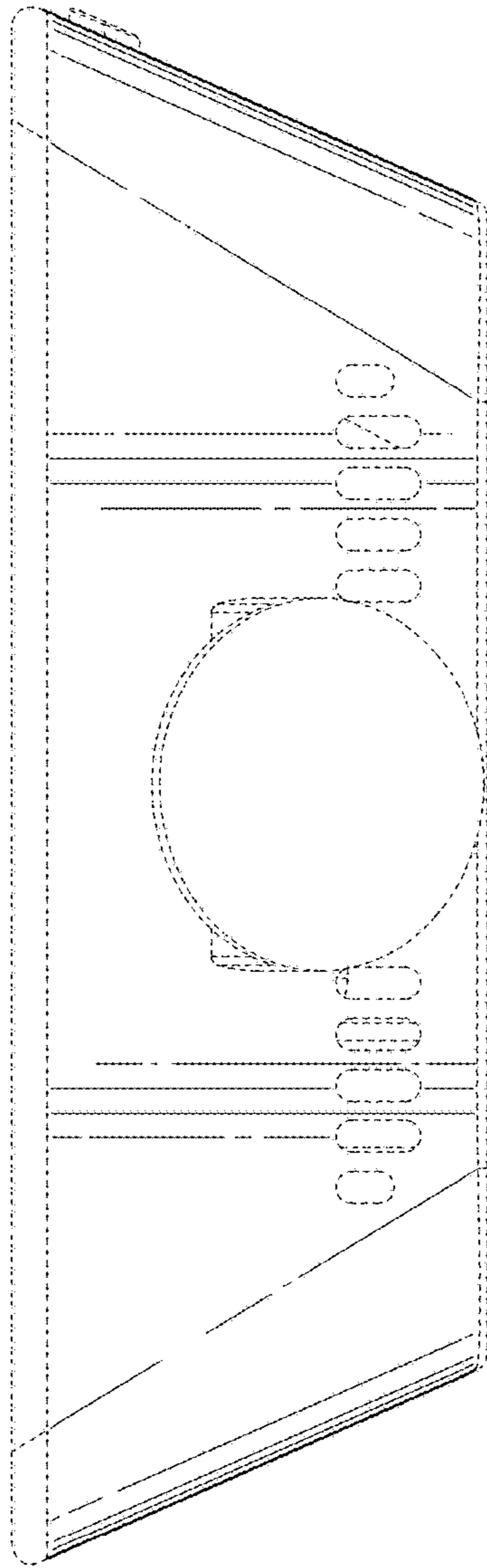


FIG. 7

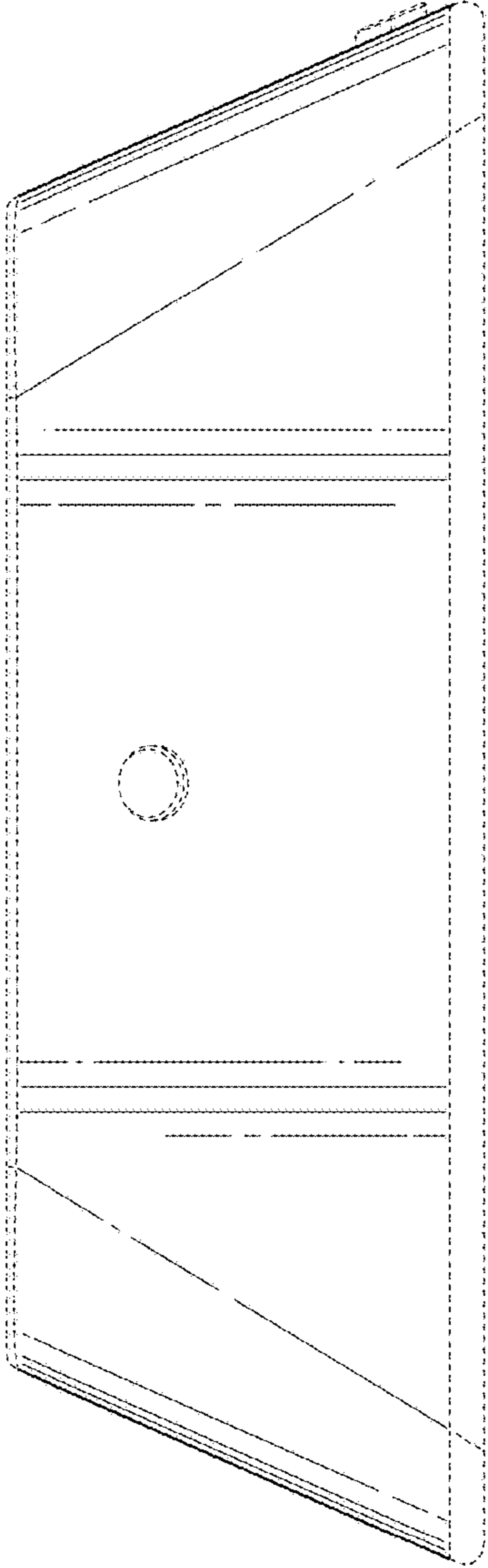


FIG. 8

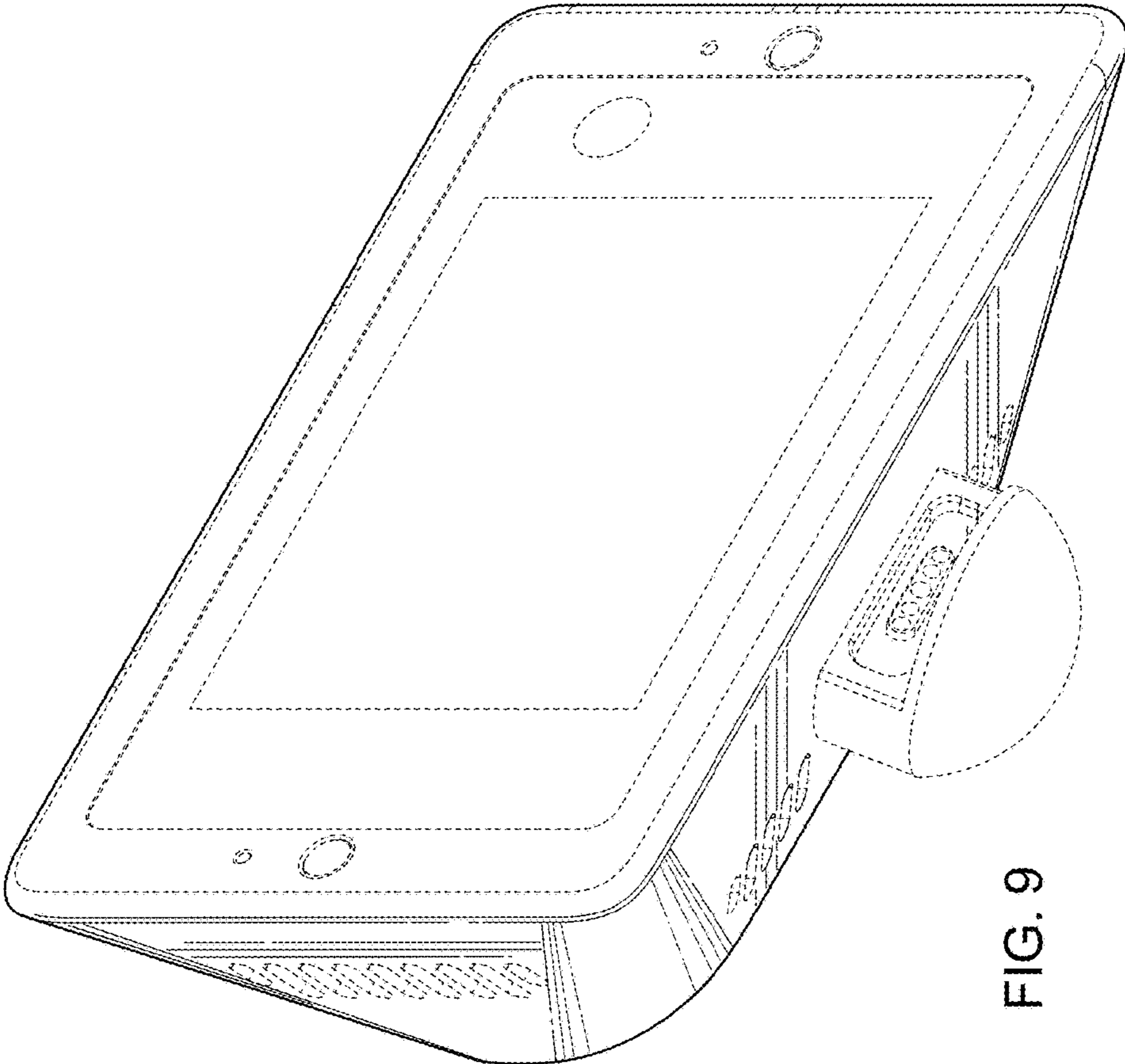


FIG. 9

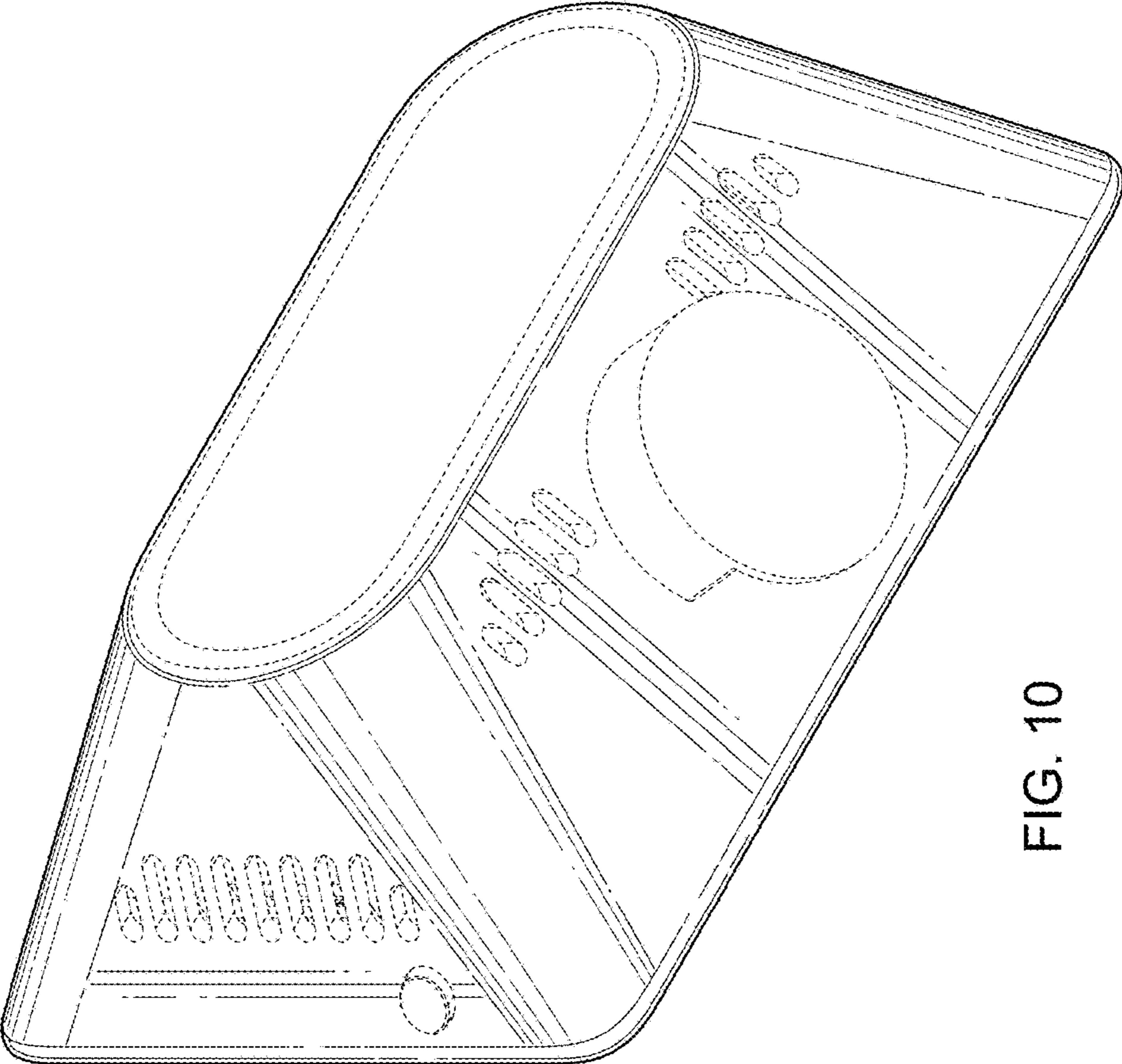


FIG. 10

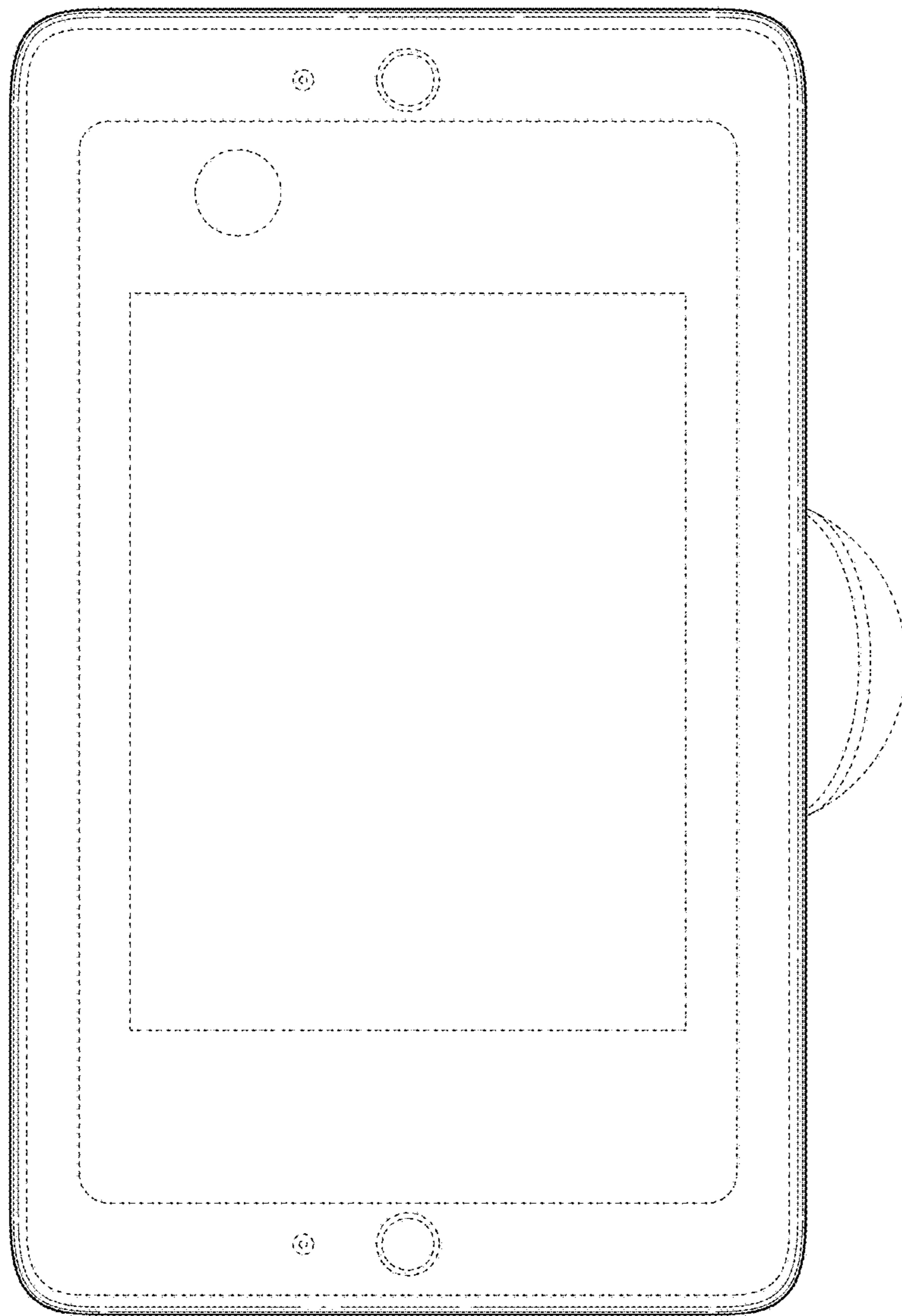


FIG. 11

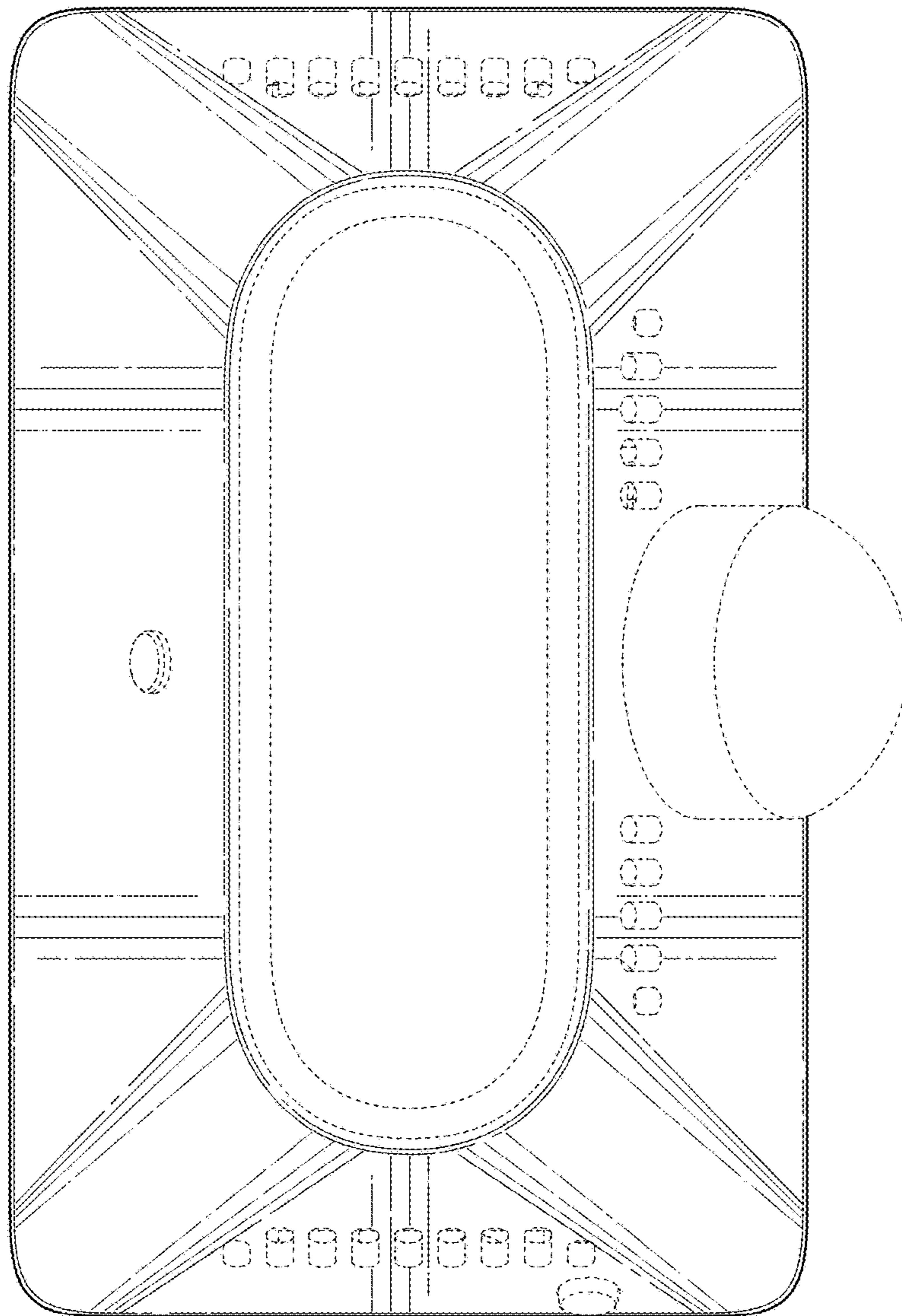


FIG. 12

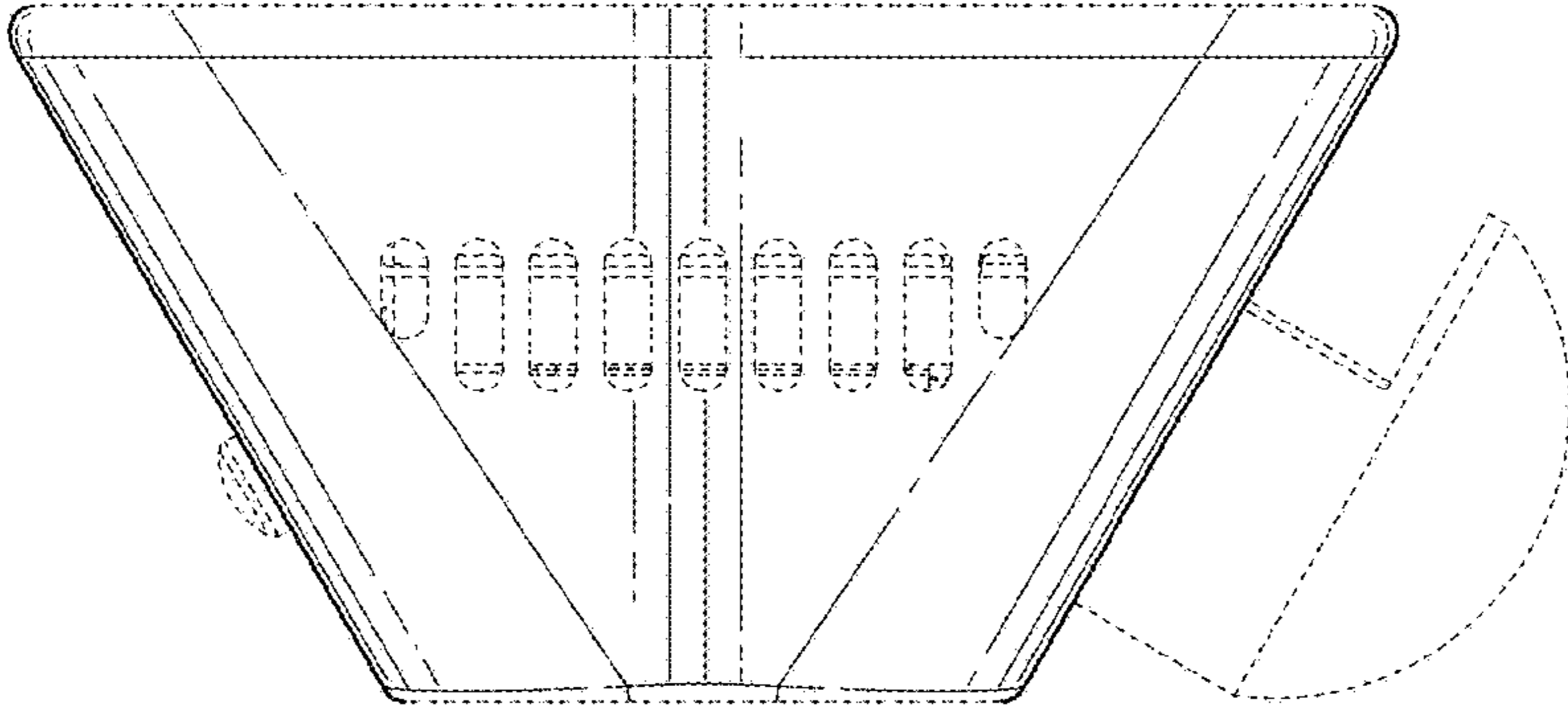


FIG. 13

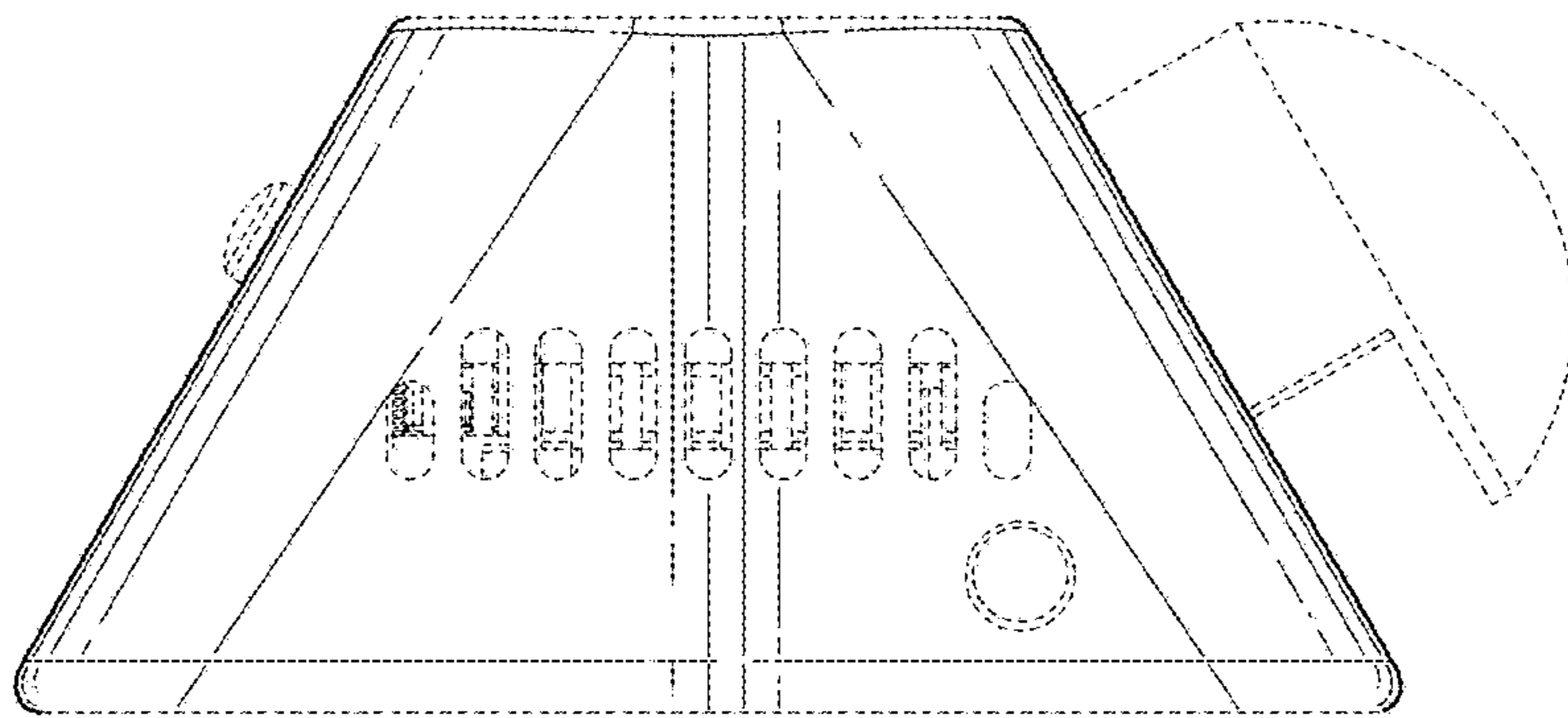


FIG. 14

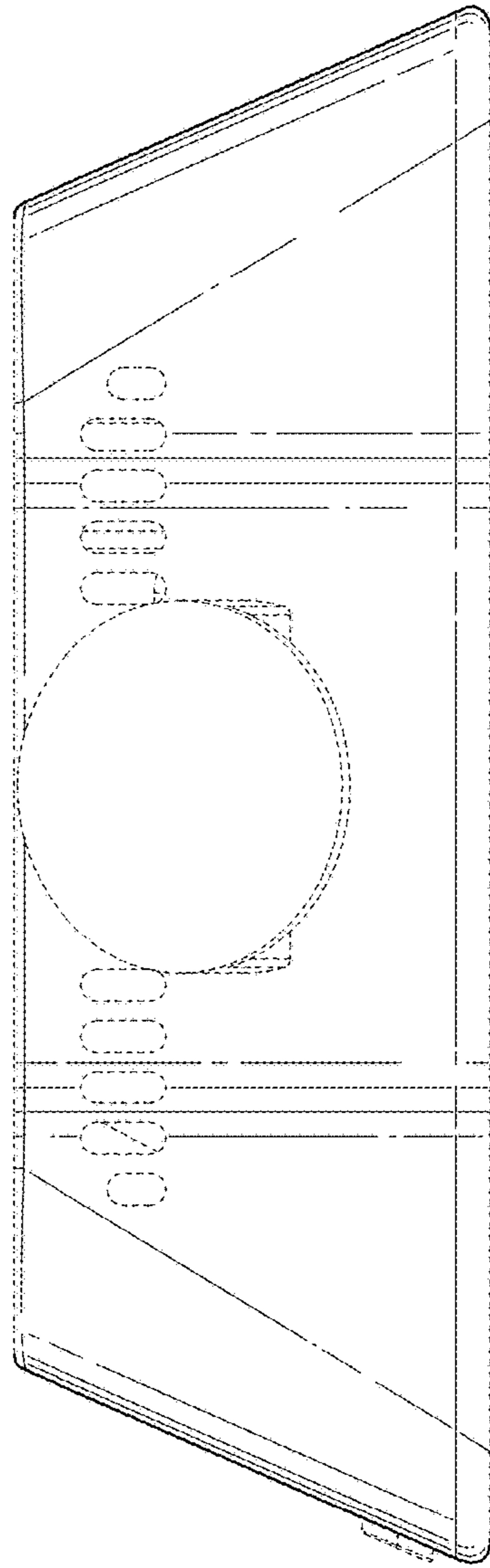


FIG. 15

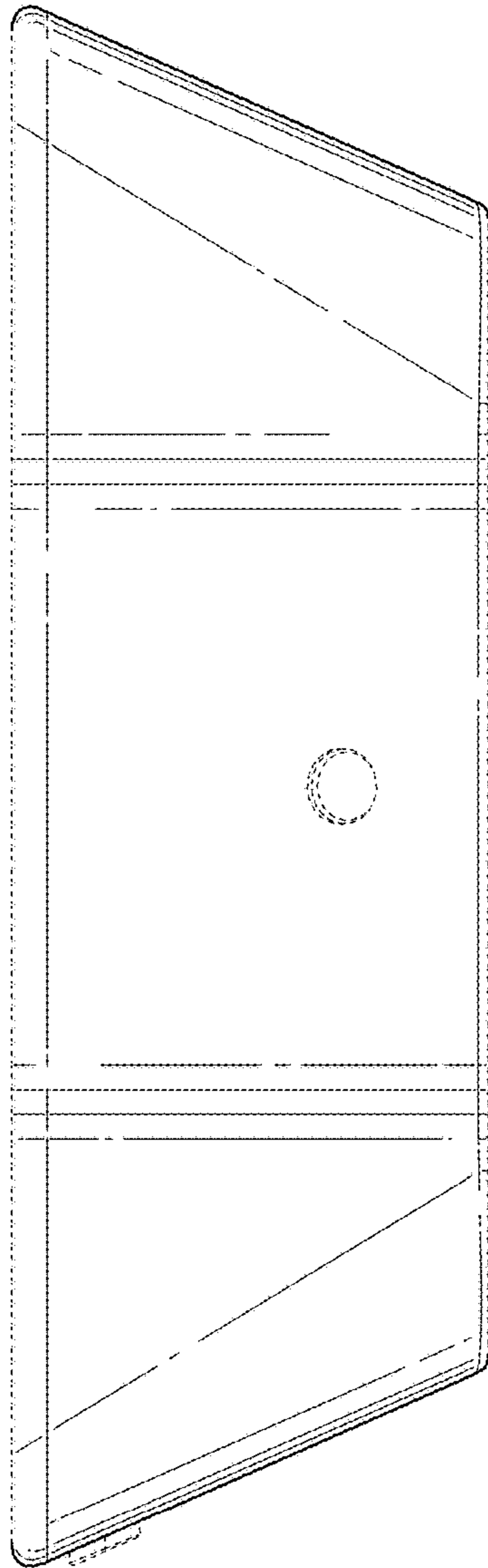


FIG. 16