



US00D868868S

(12) **United States Design Patent**
Heyden

(10) **Patent No.:** **US D868,868 S**
(45) **Date of Patent:** **** Dec. 3, 2019**

- (54) **CAMERA**
- (71) Applicant: **VICTOR HASSELBLAD AB**,
Gotenborg OT (SE)
- (72) Inventor: **Pär Heyden**, Göteborg (SE)
- (73) Assignee: **VICTOR HASSELBLAD AB**,
Gotenborg (SE)

D413,912 S	9/1999	Hayashi et al.
D415,513 S	10/1999	Fujii et al.
D447,503 S	9/2001	Horikiri et al.
6,349,173 B1	2/2002	Kanai
6,356,712 B1	3/2002	Motomura et al.
6,397,006 B1	5/2002	Sasaki et al.
D488,496 S	4/2004	Katayama et al.
D547,786 S	7/2007	Tainaka et al.
D598,038 S	8/2009	Takahashi et al.
8,251,595 B2 *	8/2012	Koyama G03B 17/04 396/349
D674,832 S *	1/2013	Zhang D16/202
D699,775 S *	2/2014	Li D16/200
D699,776 S *	2/2014	Li D16/200
D699,777 S *	2/2014	Li D16/200
D709,543 S	7/2014	Isozaki et al.
D718,801 S *	12/2014	Zetterlund D16/218
D744,568 S *	12/2015	Petty D16/202
D747,391 S	1/2016	Sakai et al.
D753,208 S *	4/2016	Elrod D16/208

- (**) Term: **15 Years**
- (21) Appl. No.: **29/662,394**
- (22) Filed: **Sep. 5, 2018**

Related U.S. Application Data

- (63) Continuation of application No. 29/594,715, filed on Feb. 22, 2017, now Pat. No. Des. 829,800.

(30) **Foreign Application Priority Data**

Sep. 14, 2016 (EP) 003379072-0001

- (51) **LOC (12) Cl.** **16-01**
- (52) **U.S. Cl.**
USPC **D16/202**
- (58) **Field of Classification Search**
USPC D16/200, 202–206, 208, 217, 218, 219;
348/340, 373–376; 396/89, 176–178,
396/535, 539–541
CPC G03B 15/03; G03B 17/02; G03B 17/04;
G03B 17/56; G03B 19/04; H04N 5/2251;
H04N 5/2252; H04N 5/2253; H04N
5/2254; H04N 2101/00
See application file for complete search history.

(56) **References Cited**

U.S. PATENT DOCUMENTS

- D250,958 S 1/1979 Hansen et al.
- D348,684 S 7/1994 Shiiba et al.

Primary Examiner — Ramzi S Almatrahi
(74) *Attorney, Agent, or Firm* — Anova Law Group, PLLC

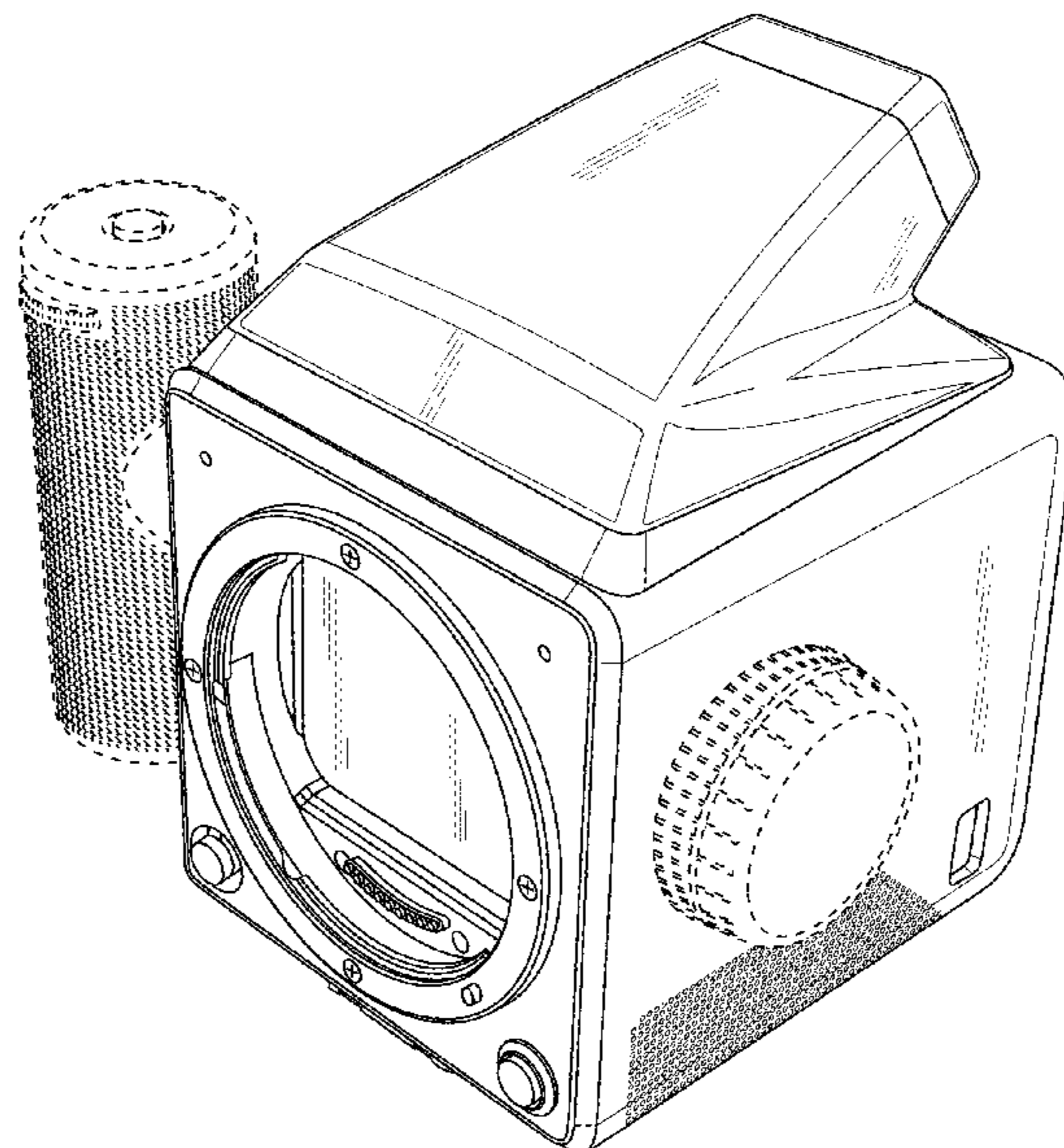
(57) **CLAIM**

The ornamental design for a camera, as shown and described.

DESCRIPTION

FIG. 1 is a front perspective view of a camera showing my new design;
FIG. 2 is a back elevation view thereof;
FIG. 3 is a front elevation view thereof;
FIG. 4 is a top plan view thereof;
FIG. 5 is a right side elevation view thereof;
FIG. 6 is a left side elevation view thereof; and,
FIG. 7 is a bottom plan view thereof.
The broken lines depict portions of the camera in which the design is embodied that form no part of the claimed design.

1 Claim, 7 Drawing Sheets



(56)

References Cited

U.S. PATENT DOCUMENTS

D812,667 S * 3/2018 Kubo D16/202
D838,761 S * 1/2019 Nishizawa D16/211

* cited by examiner

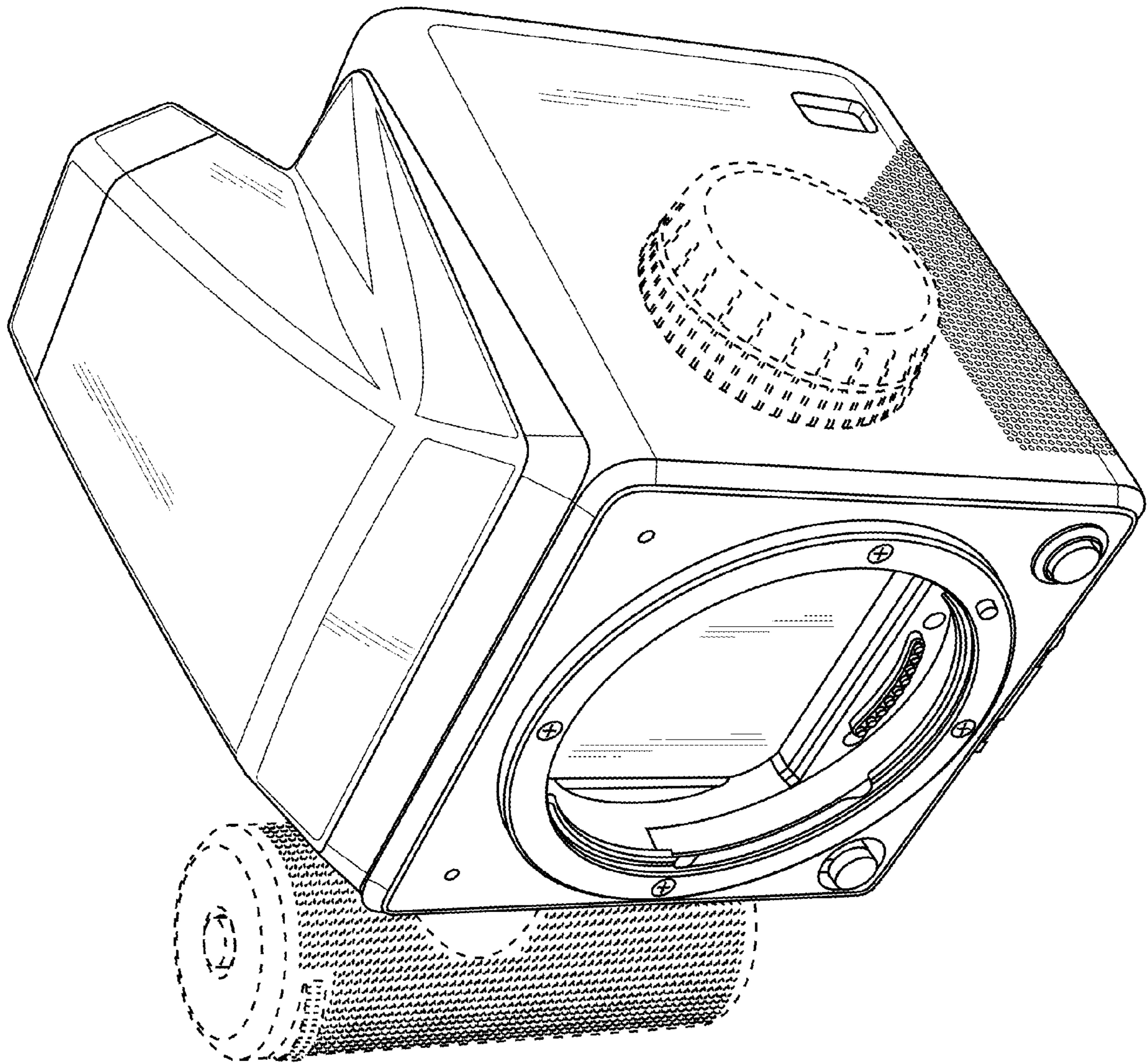


FIG. 1

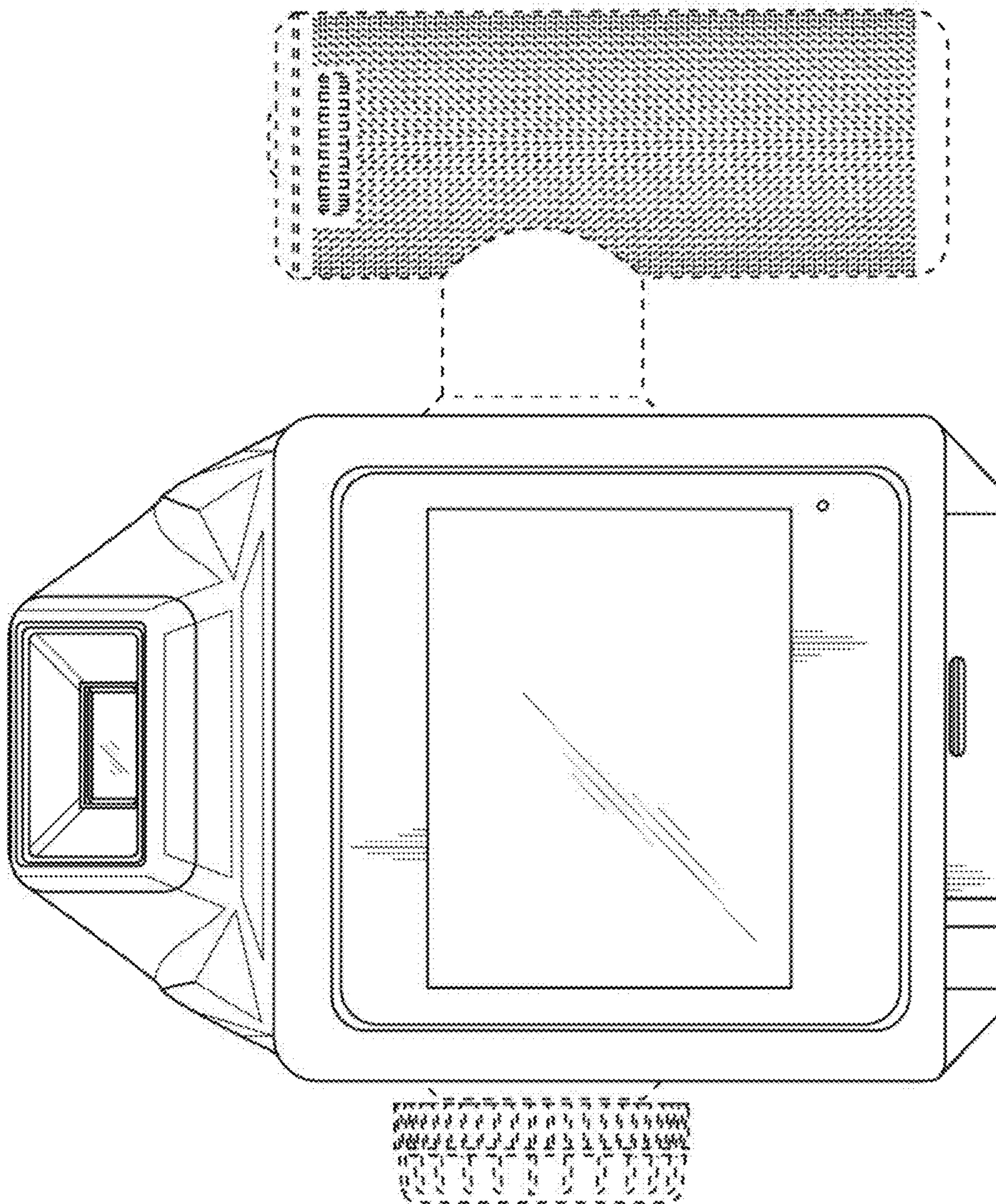


FIG. 2

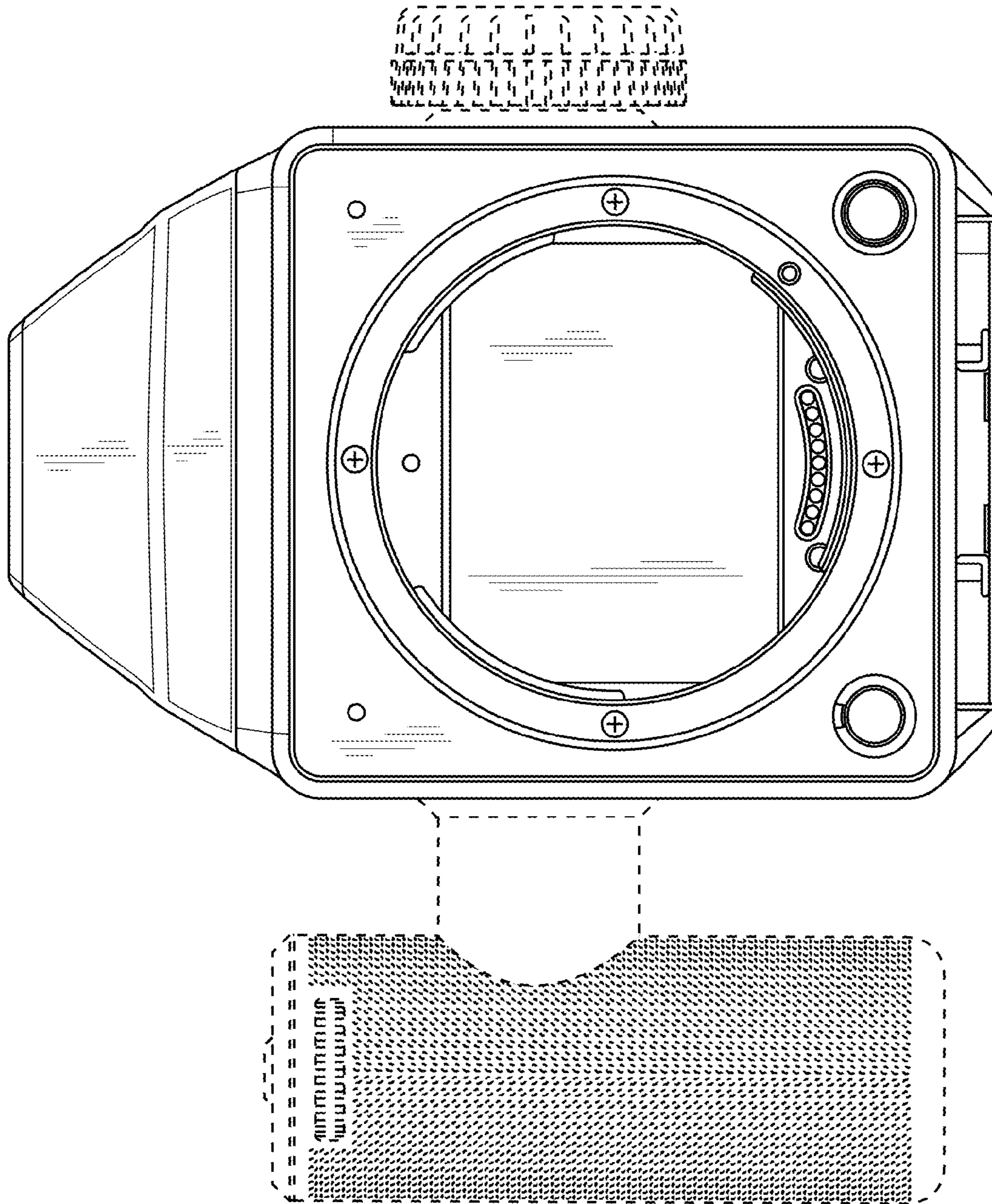


FIG. 3

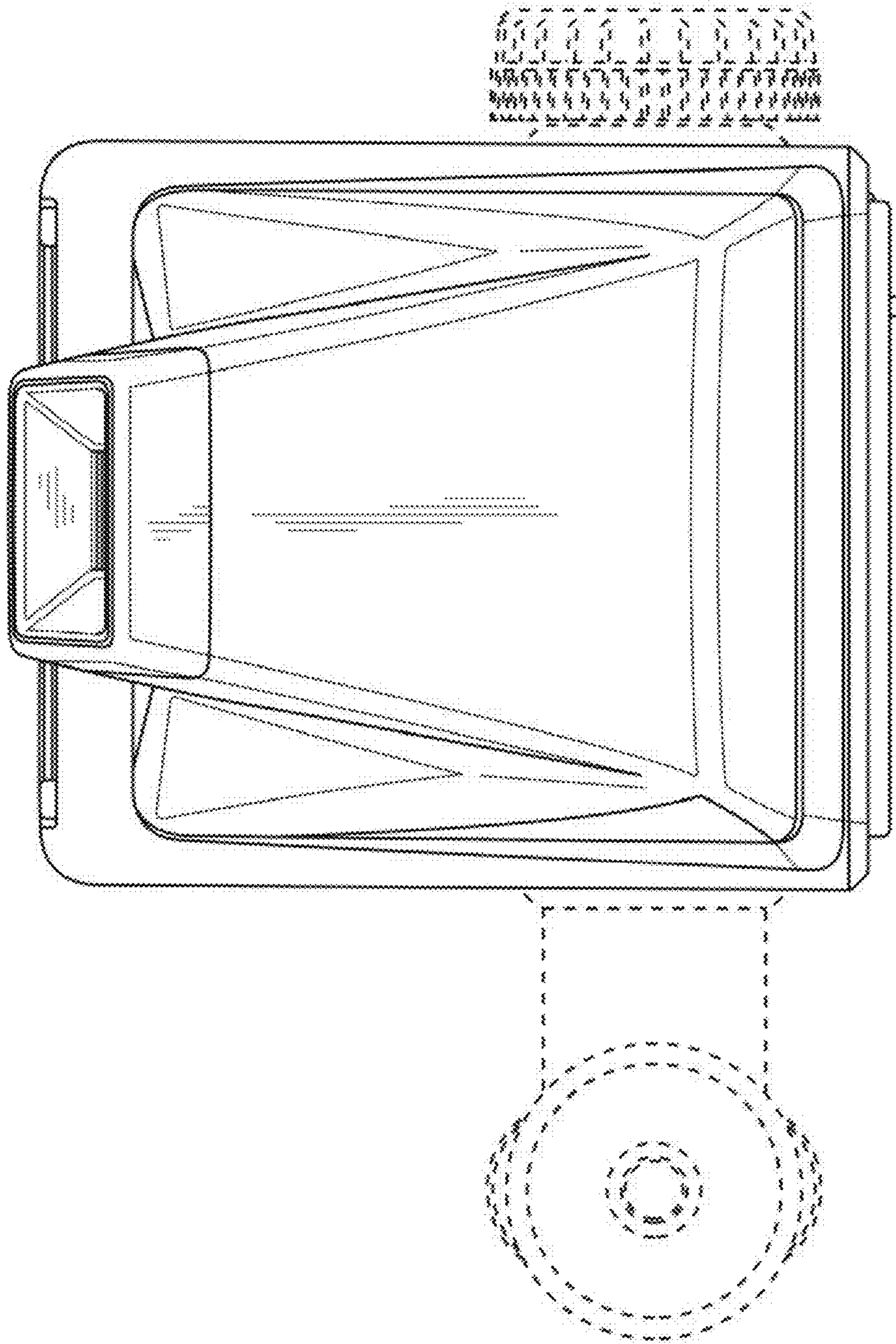


FIG. 4

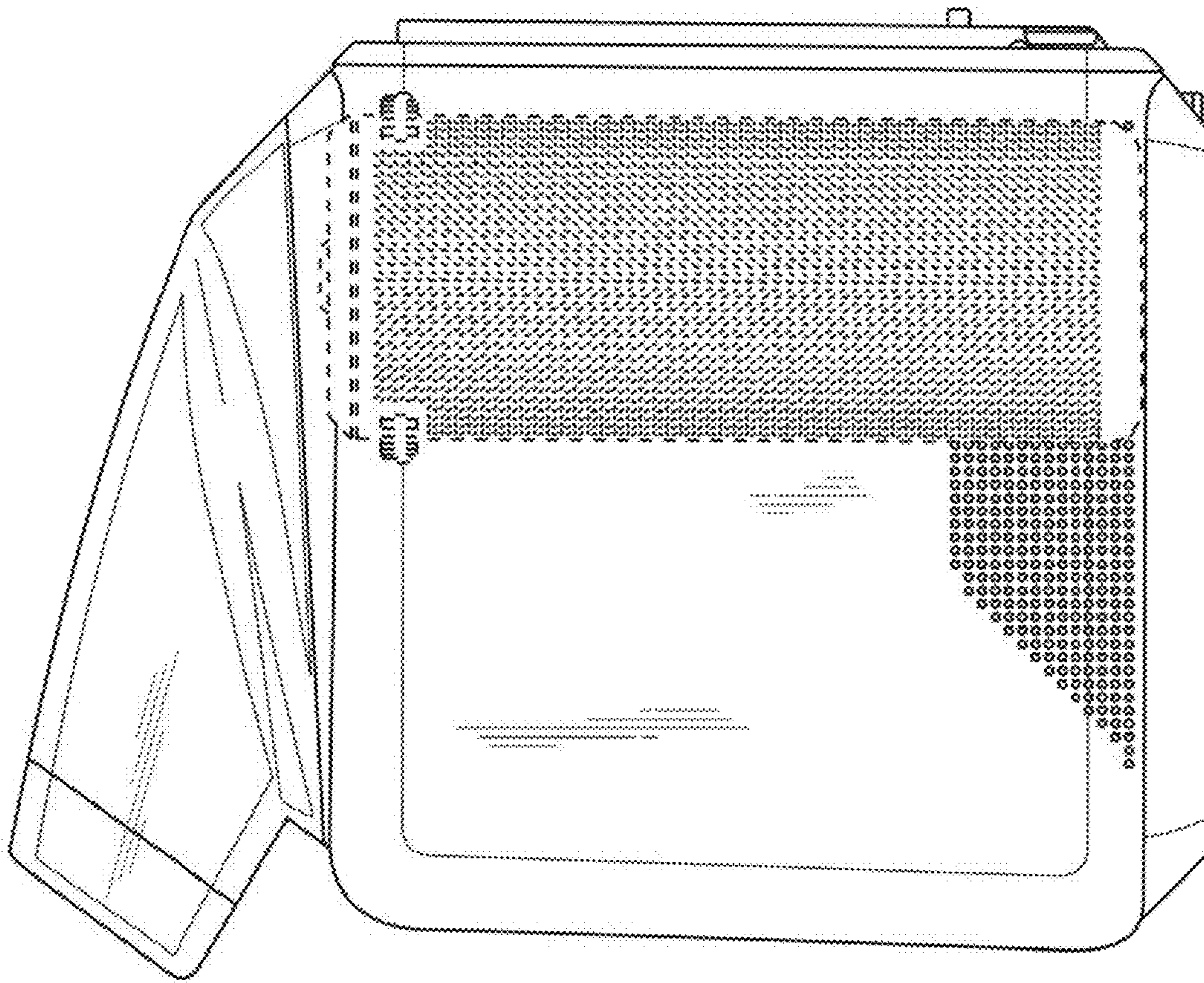


FIG. 5

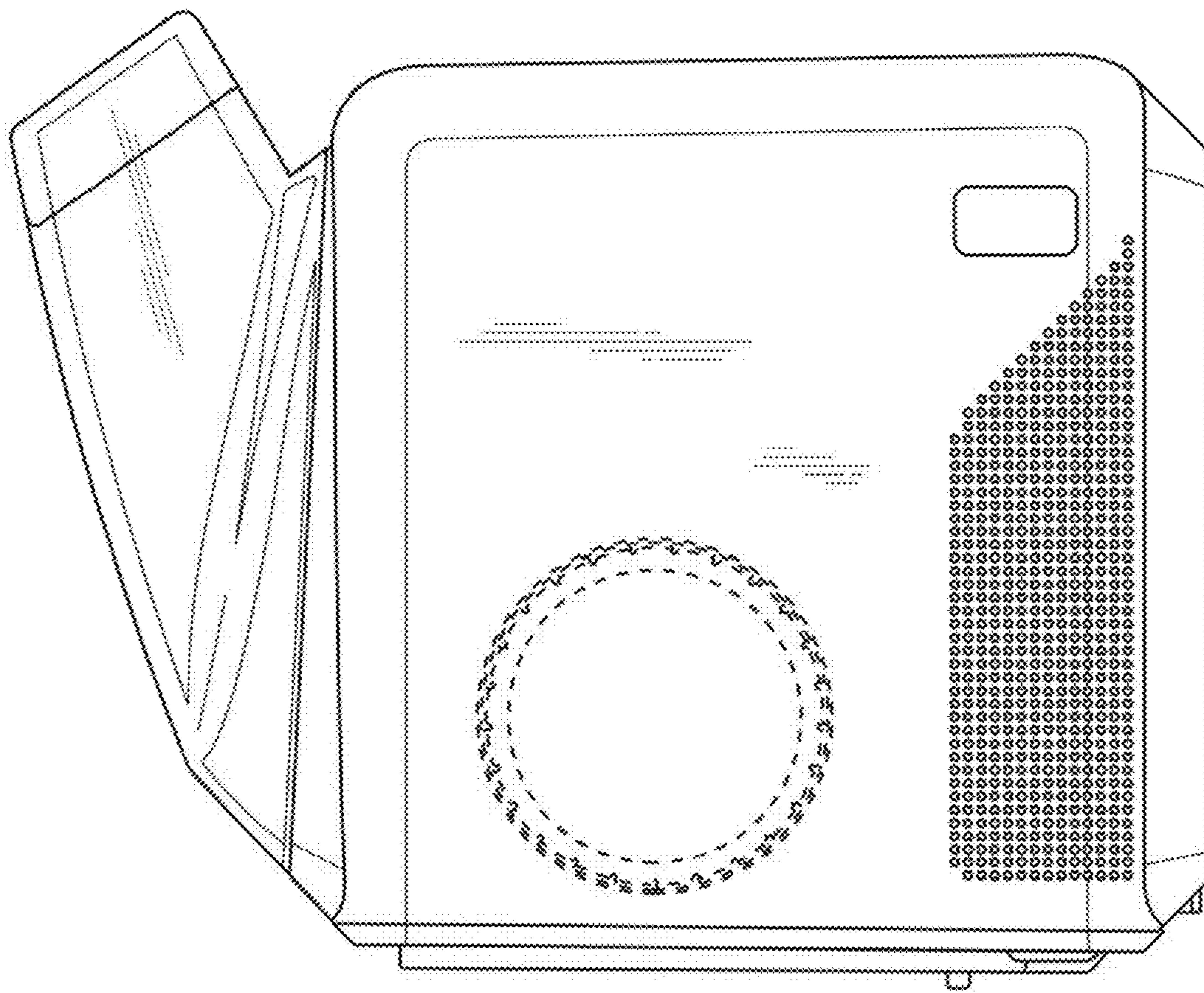


FIG. 6

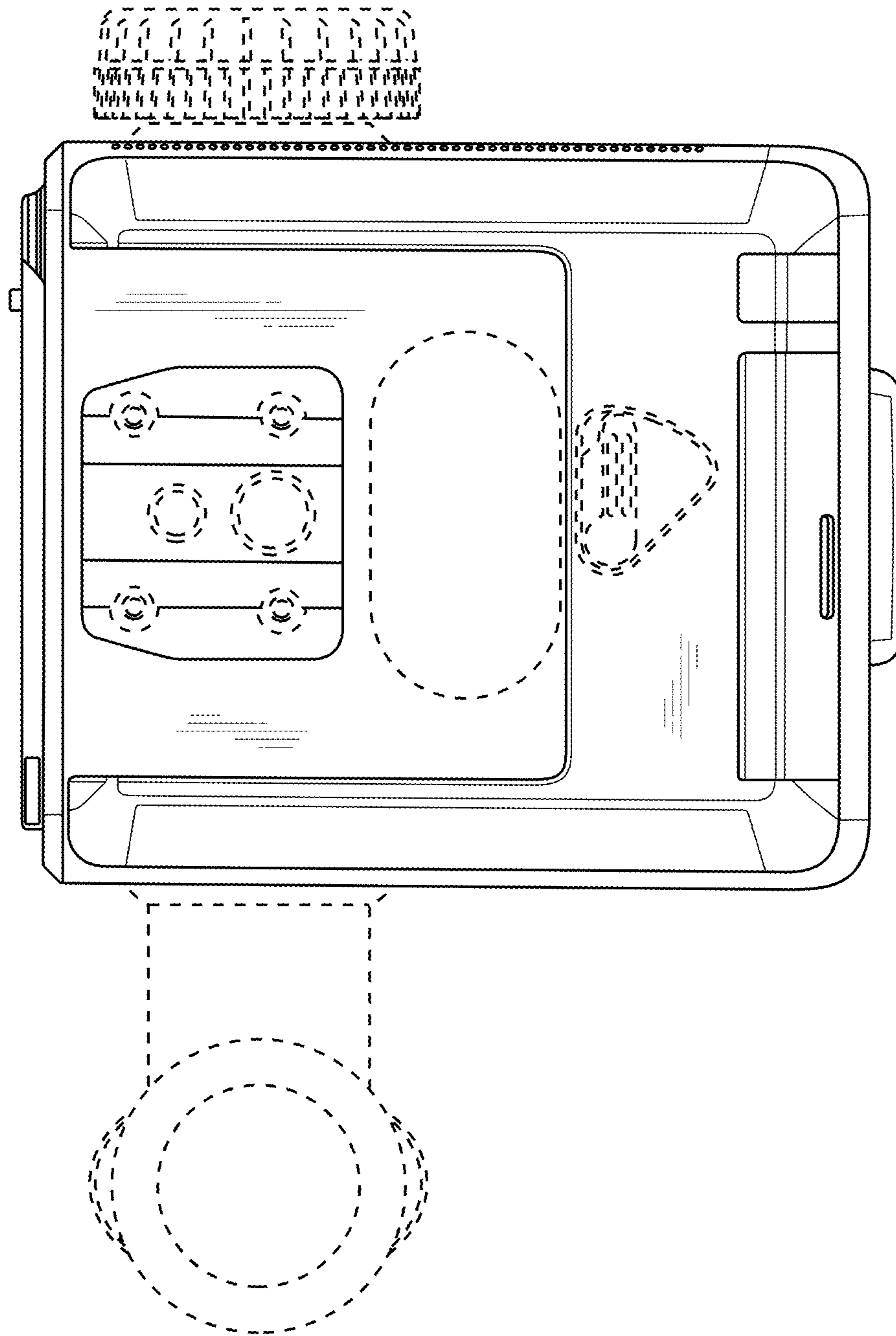


FIG. 7