



US00D868867S

(12) **United States Design Patent**
Jean et al.

(10) **Patent No.:** **US D868,867 S**
(45) **Date of Patent:** **** Dec. 3, 2019**

(54) **CAMERA**

D484,164 S * 12/2003 Ogura D16/202
D491,594 S * 6/2004 Senda D16/202
D502,480 S * 3/2005 Nagayama D16/202

(71) Applicant: **Garmin Switzerland GmbH**,
Schaffhausen (CH)

(Continued)

(72) Inventors: **Camille J. Jean**, Overland Park, KS
(US); **Derrick D. Lenz**, Olathe, KS
(US); **Jason D. Watson**, Olathe, KS
(US)

FOREIGN PATENT DOCUMENTS

CN 303572899 * 1/2016
CN 303635232 * 4/2016

(Continued)

(73) Assignee: **Garmin Switzerland GmbH** (CH)

OTHER PUBLICATIONS

(**) Term: **15 Years**

GC100 wireless cam, published Aug. 31, 2018 [online], [retrieved Jul. 30, 2019], Available from Internet, URL <http://www.boatmaginternational.com/10442-gc-100-wireless-cam-garmin-marine/>.*

(21) Appl. No.: **29/639,336**

(Continued)

(22) Filed: **Mar. 6, 2018**

(51) **LOC (12) Cl.** **16-01**

(52) **U.S. Cl.**

USPC **D16/202**; D16/218

(58) **Field of Classification Search**

USPC D16/200–220, 131, 237, 242, 239, 250,
D16/235, 130, 134, 136, 238;
D14/138 C, 240, 248, 203.1, 203.3, 203.7,
D14/218, 207; D10/104.1, 50, 65, 74,
D10/70, 118.2; D26/28, 29, 34, 51, 52,
D26/60, 61, 722; D3/260; D30/109,
D30/104, 106, 107; D22/136
CPC . G02B 7/02; G02B 7/021; G02B 7/04; G02B
7/14; G02B 7/003; G03B 17/00; G03B
17/02; G03B 17/56; G03B 17/04; G03B
17/14; G03B 17/08; G03B 15/03; G03B
15/06; H04N 5/2251; H04N 5/2252;
H04N 5/2253; H04N 5/2254; H04N 7/00;
H04N 2101/00; F16M 13/00

See application file for complete search history.

Primary Examiner — Manpreet S Matharu

Assistant Examiner — Mary Claire Ramirez

(74) *Attorney, Agent, or Firm* — Samuel M. Korte; Max M. Ali

(57)

CLAIM

The ornamental design for a camera, as shown and described.

DESCRIPTION

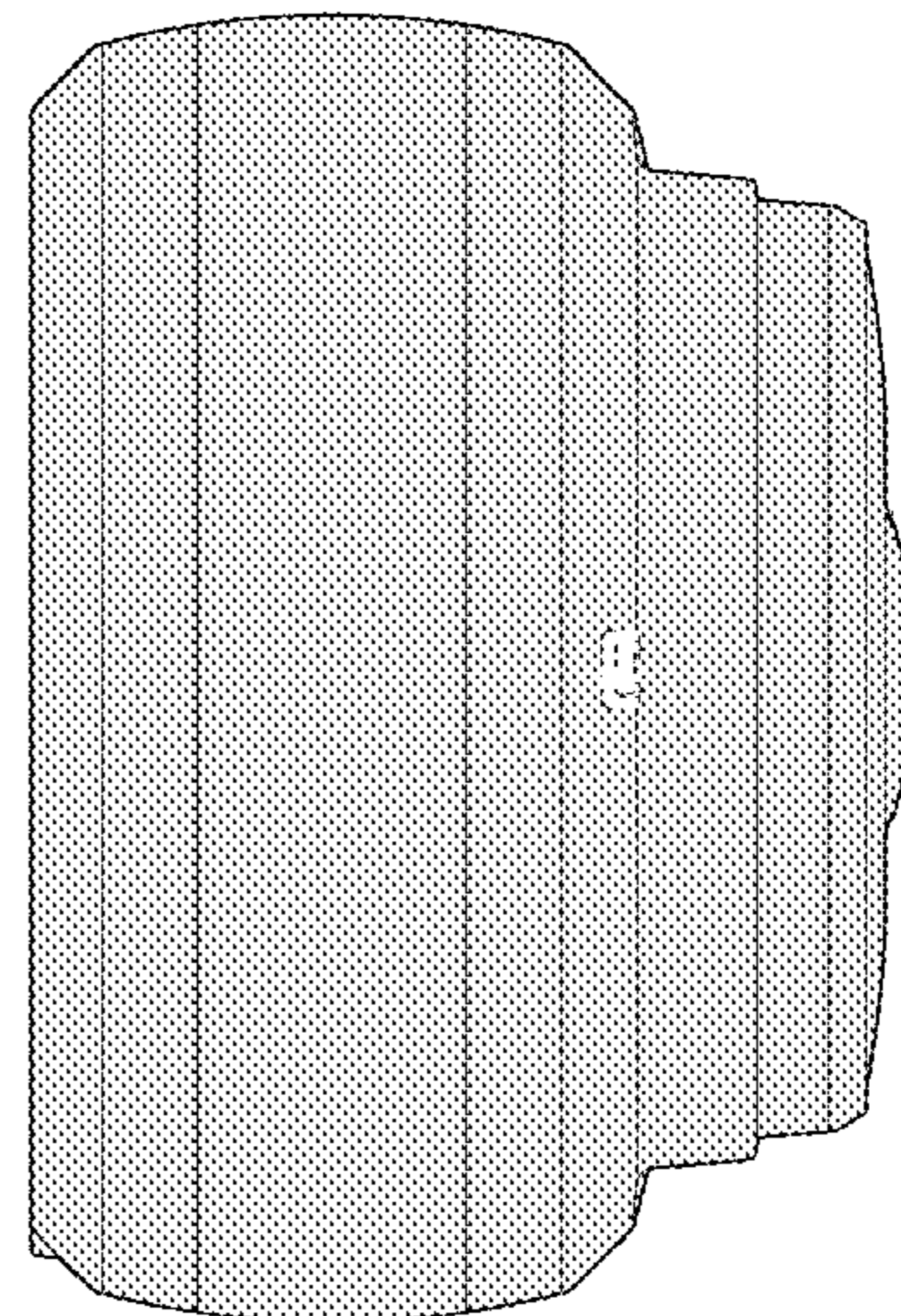
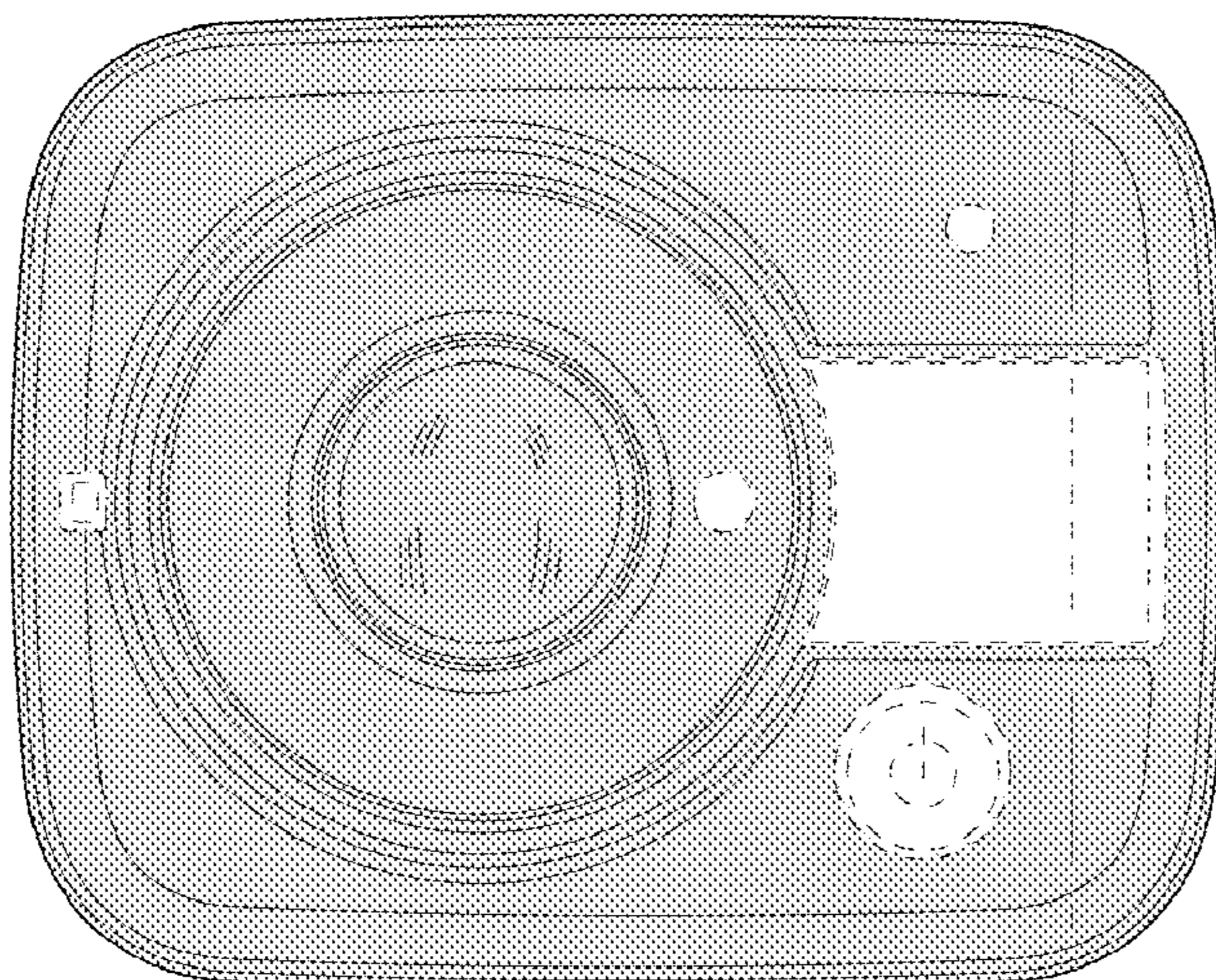
FIG. 1 is a front perspective view of a camera according to the present invention;
FIG. 2 is a rear perspective view of the camera;
FIG. 3 is a top view of the camera;
FIG. 4 is a front view of the camera;
FIG. 5 is a bottom view of the camera;
FIG. 6 is a rear view of the camera;
FIG. 7 is a left side view of the camera; and,
FIG. 8 is a right side view of the camera.
The broken lines and the unshaded portions within the broken lines that are shown in the drawings depict portions of the camera that form no part of the claimed design.

(56) **References Cited**

U.S. PATENT DOCUMENTS

D396,869 S * 8/1998 Yamakawa D16/202
D465,505 S * 11/2002 Nasu D16/136

1 Claim, 3 Drawing Sheets



(56)

References Cited

U.S. PATENT DOCUMENTS

D502,484 S * 3/2005 Nagayama D16/202
 D522,036 S * 5/2006 Nagayama D16/202
 D591,321 S * 4/2009 Sheppard D16/202
 D617,821 S * 6/2010 Kaplan D16/202
 D624,108 S * 9/2010 Wang D16/219
 D636,422 S * 4/2011 Hou D16/202
 D636,424 S * 4/2011 Lin D16/202
 D666,659 S * 9/2012 Furlan D16/202
 D725,691 S * 3/2015 De Rosa D16/202
 D730,421 S * 5/2015 Huang D16/202
 D743,465 S * 11/2015 Aglassinger D16/203
 D772,966 S * 11/2016 Song D16/200
 D773,547 S * 12/2016 Lee D16/218
 D777,234 S * 1/2017 Webb D16/202
 D777,236 S * 1/2017 Mai D16/218
 D785,695 S * 5/2017 Woodman D16/219
 D791,848 S * 7/2017 Zhu D16/200
 D793,463 S * 8/2017 Houin et al. D16/202
 D794,695 S * 8/2017 Zhang D16/218
 D800,202 S * 10/2017 Hu D16/218
 D832,905 S * 11/2018 Liu D16/202

D833,505 S * 11/2018 Hu D16/218
 D848,512 S * 5/2019 Kamei D16/219
 2017/0171435 A1* 6/2017 Golik H04N 5/2252

FOREIGN PATENT DOCUMENTS

CN 304082008 * 3/2017
 EM 003338599-0002 * 9/2016
 EM 003522077-0001 * 1/2017

OTHER PUBLICATIONS

Printout from <https://buy.garmin.com/en-US/US/p/522869> published prior to Mar. 6, 2018.
 Printout from <https://buy.garmin.com/en-US/US/p/567313> published prior to Mar. 6, 2018.
 Printout from <https://www.amazon.com/Trailer-Eyes/WiFi-Indoor-Princess/dp/B06XPDX4PR> published prior to Mar. 6, 2018.
 Printout from <https://www.amazon.com/Wansview-Wireless-Security-Surveillance-Temperature/dp/B01E0TROPS> published prior to Mar. 6, 2018.

* cited by examiner

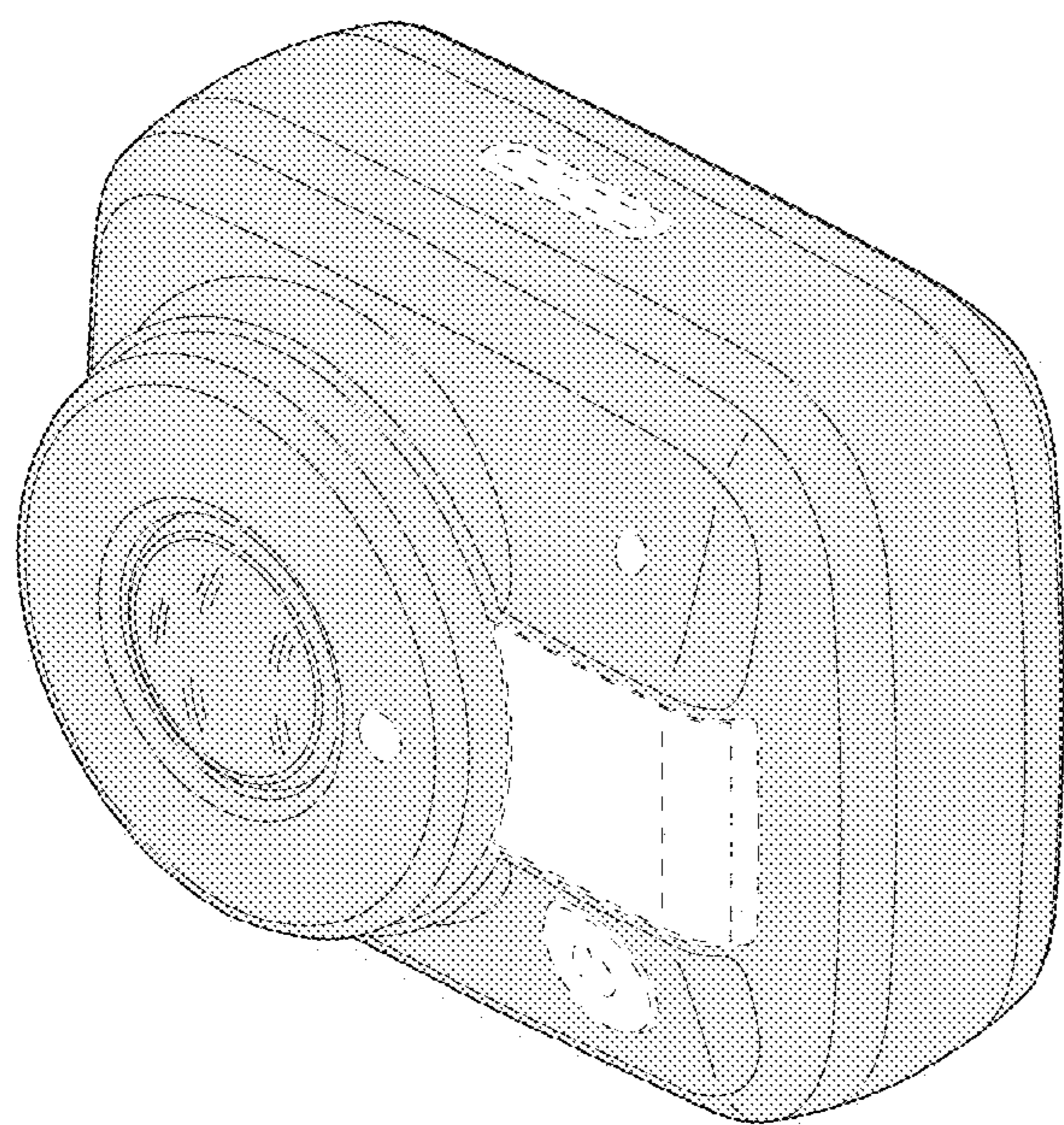


Fig. 1

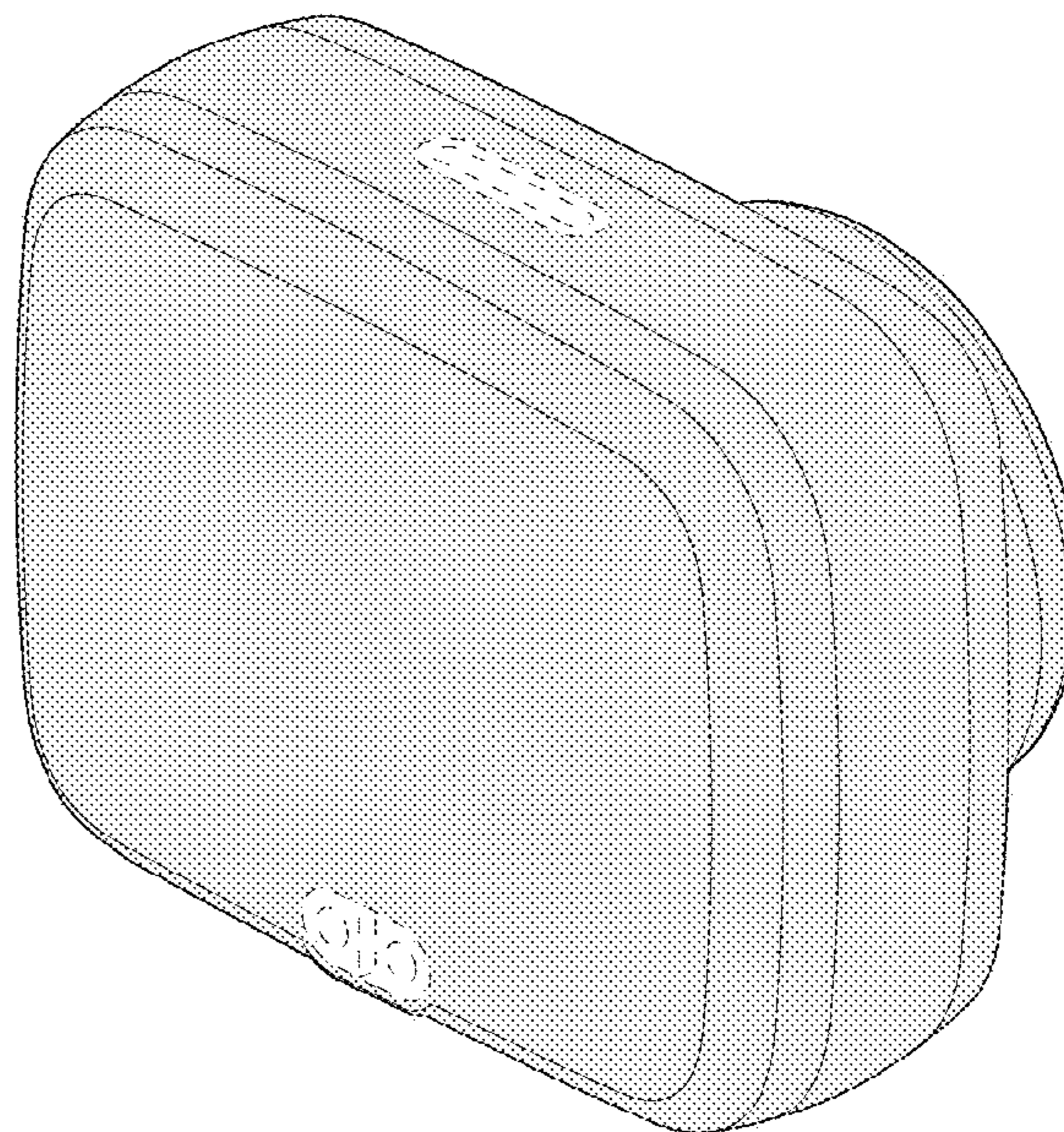


Fig. 2

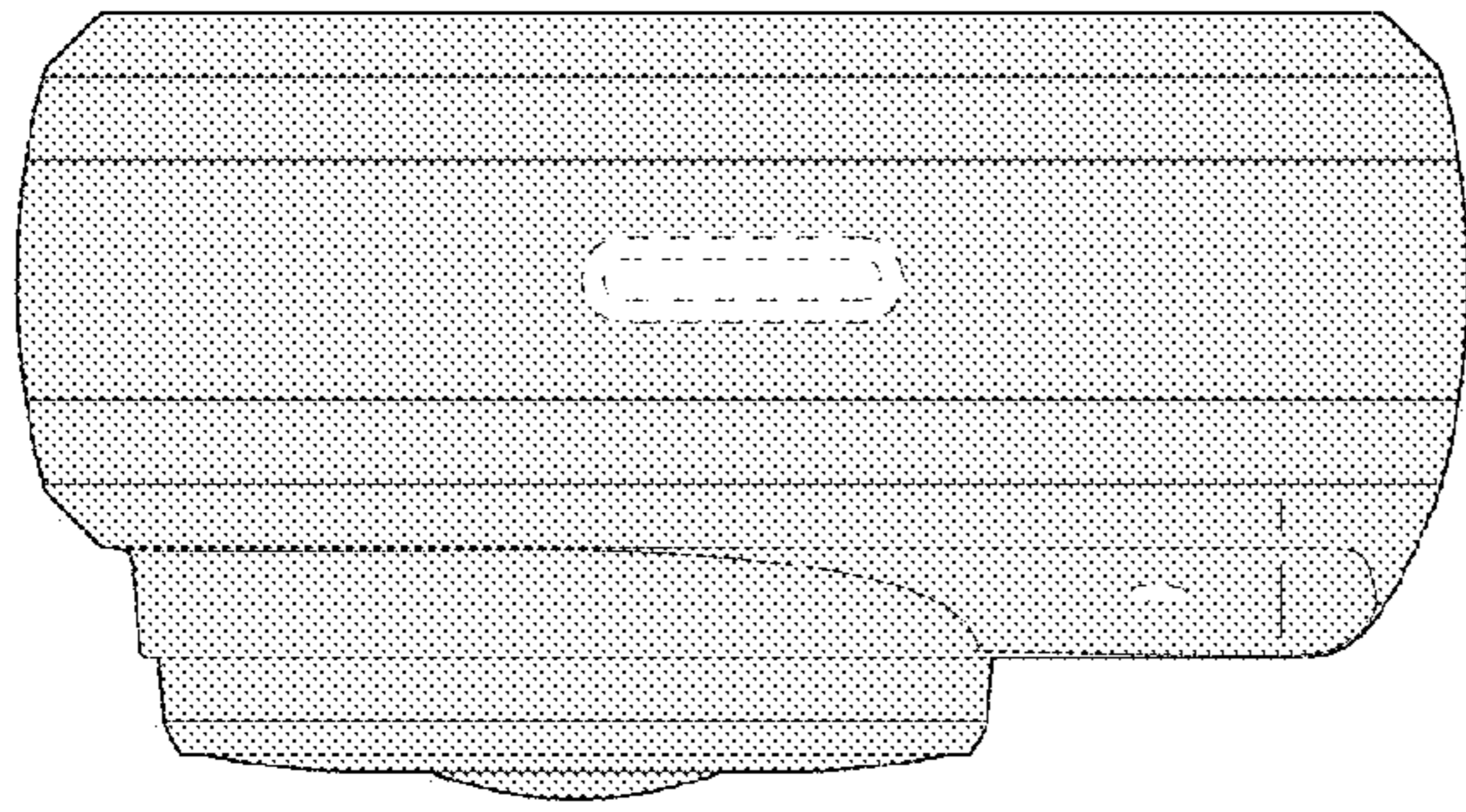


Fig. 3

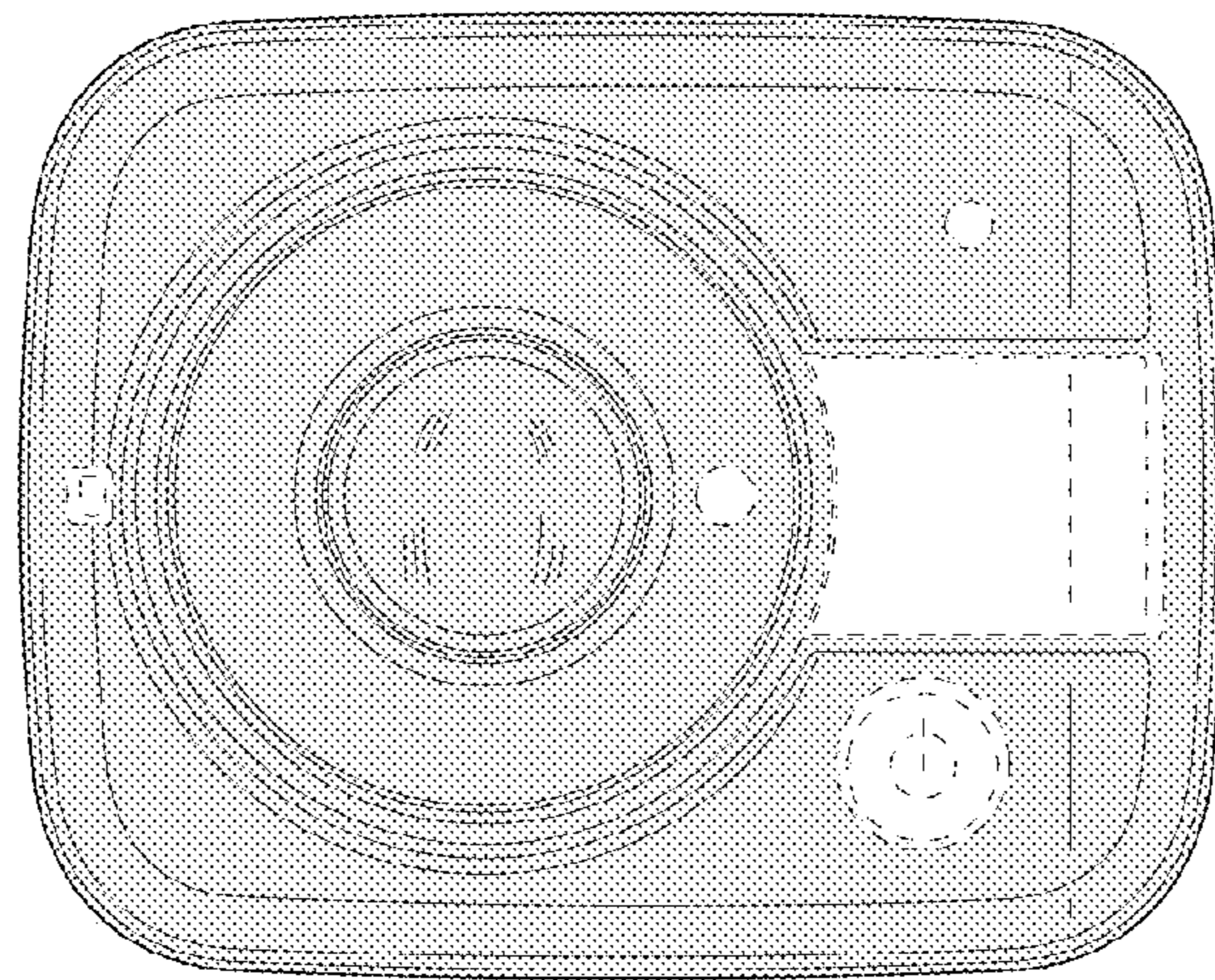


Fig. 4

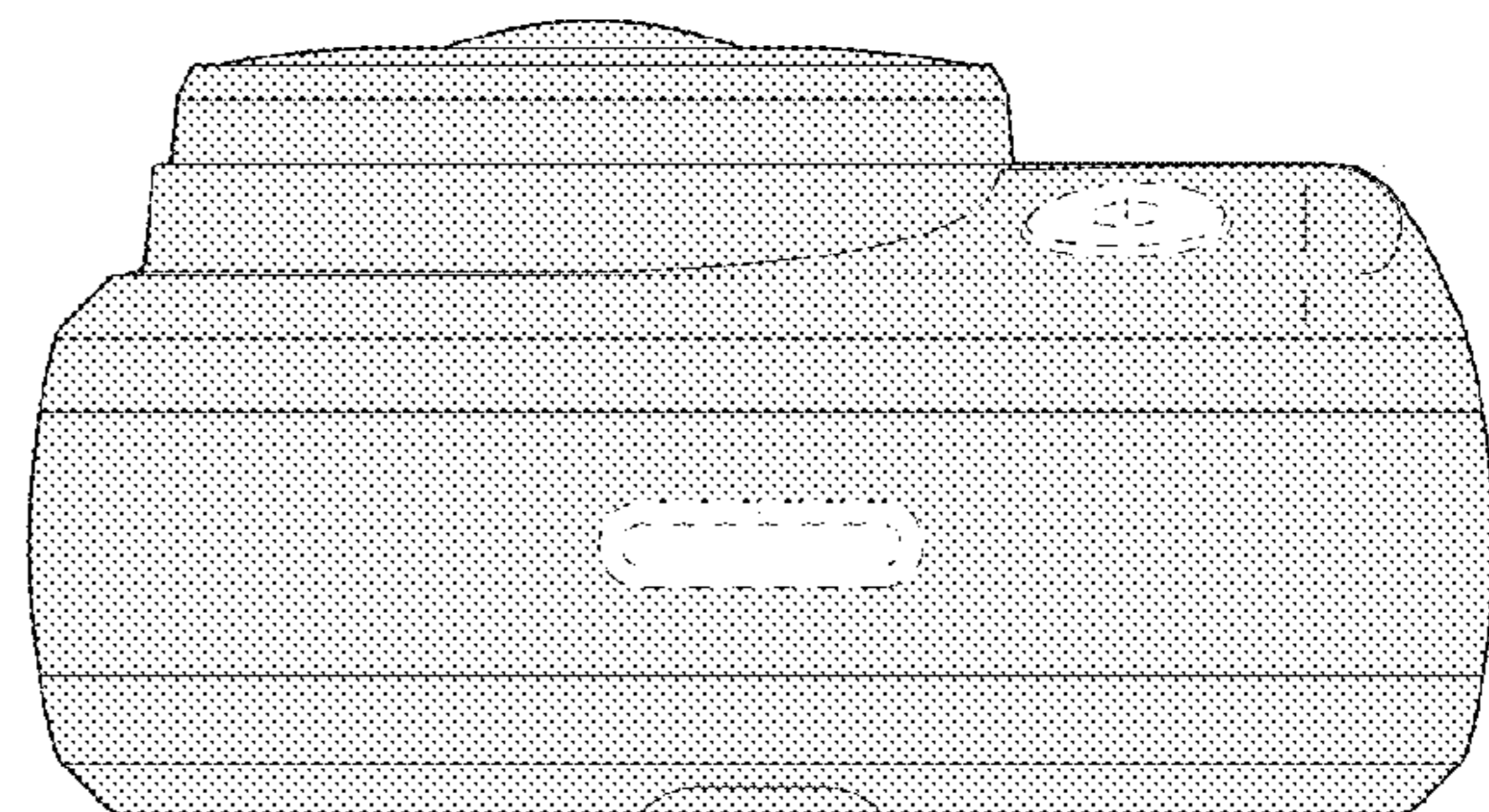


Fig. 5

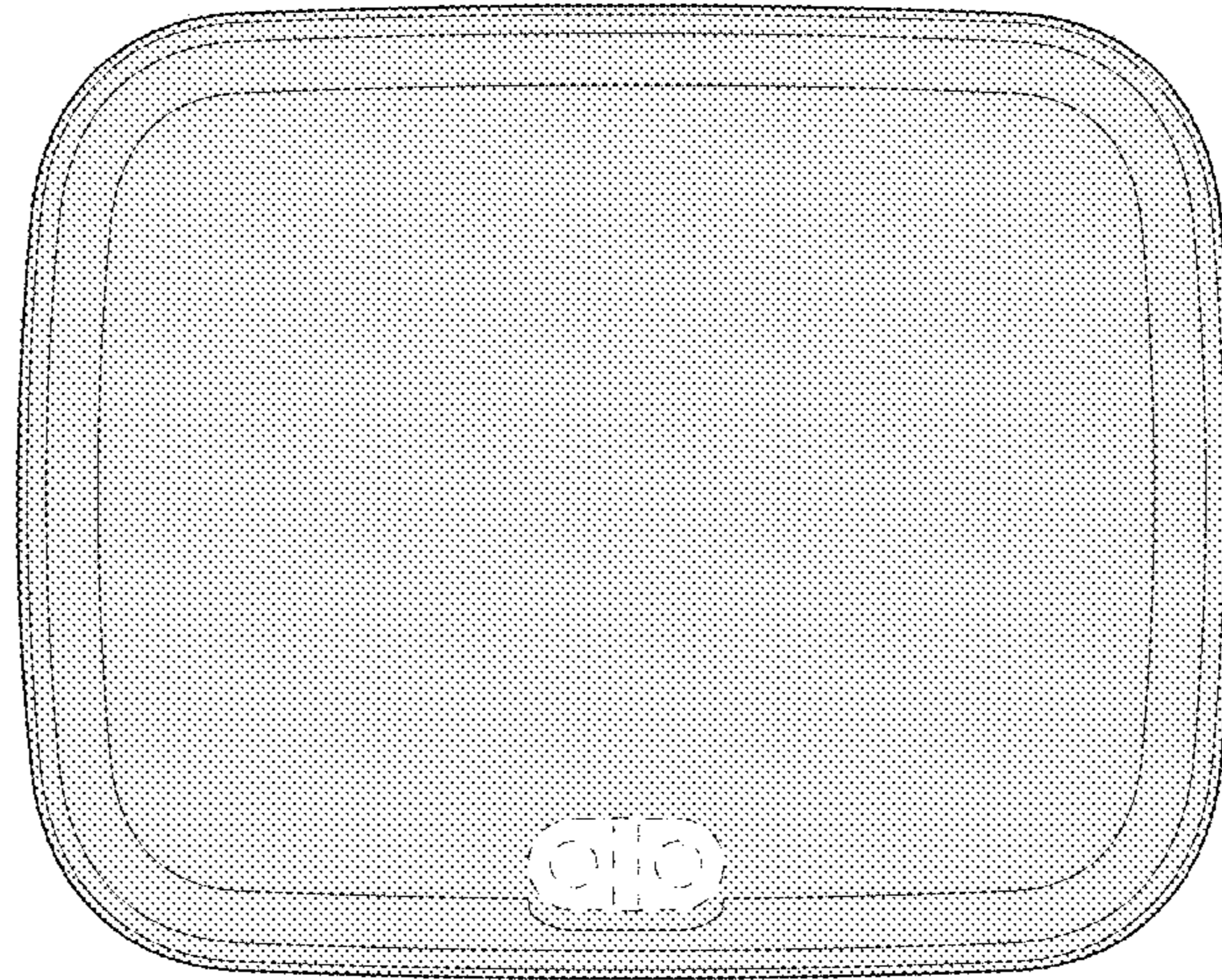


Fig. 6

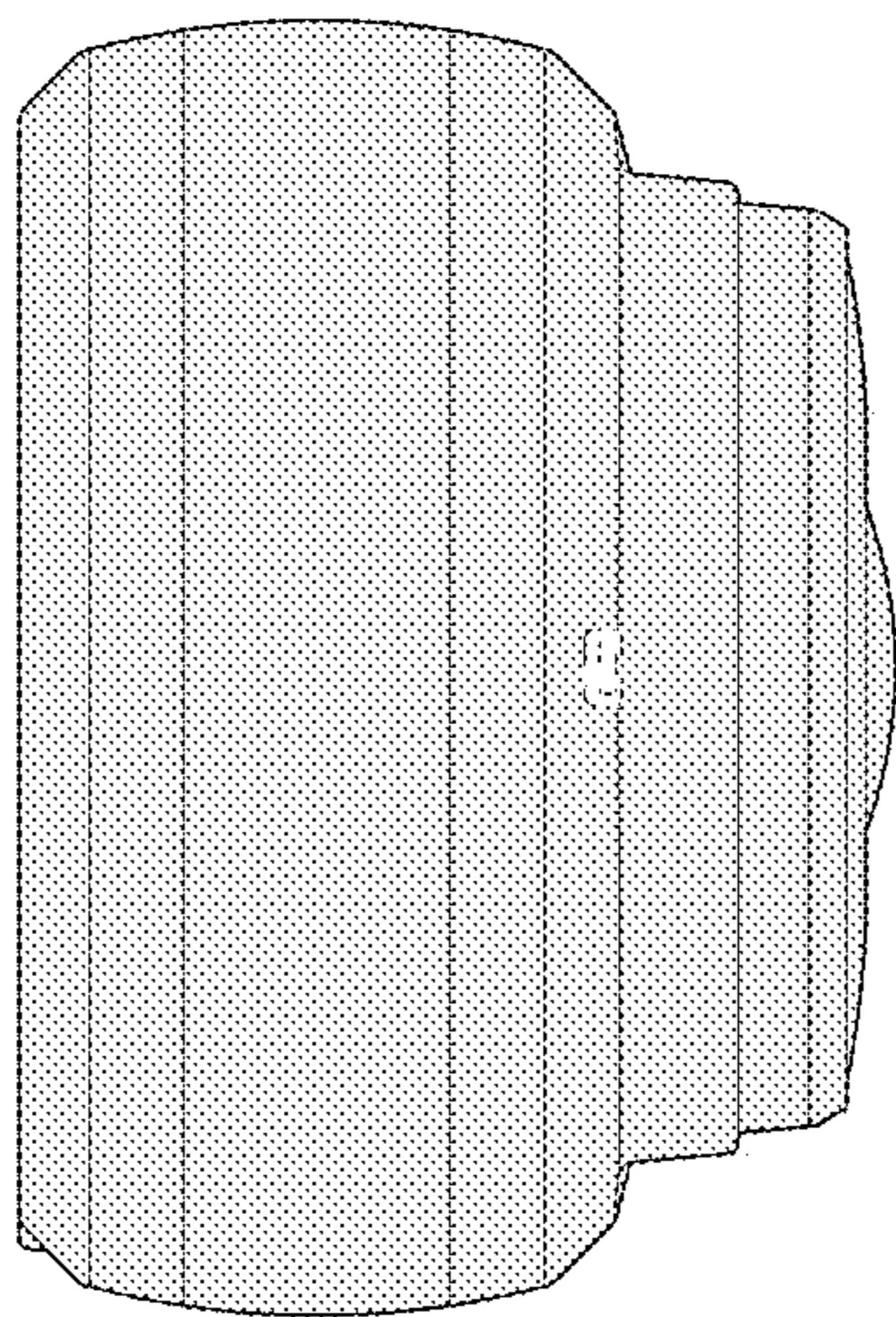


Fig. 7

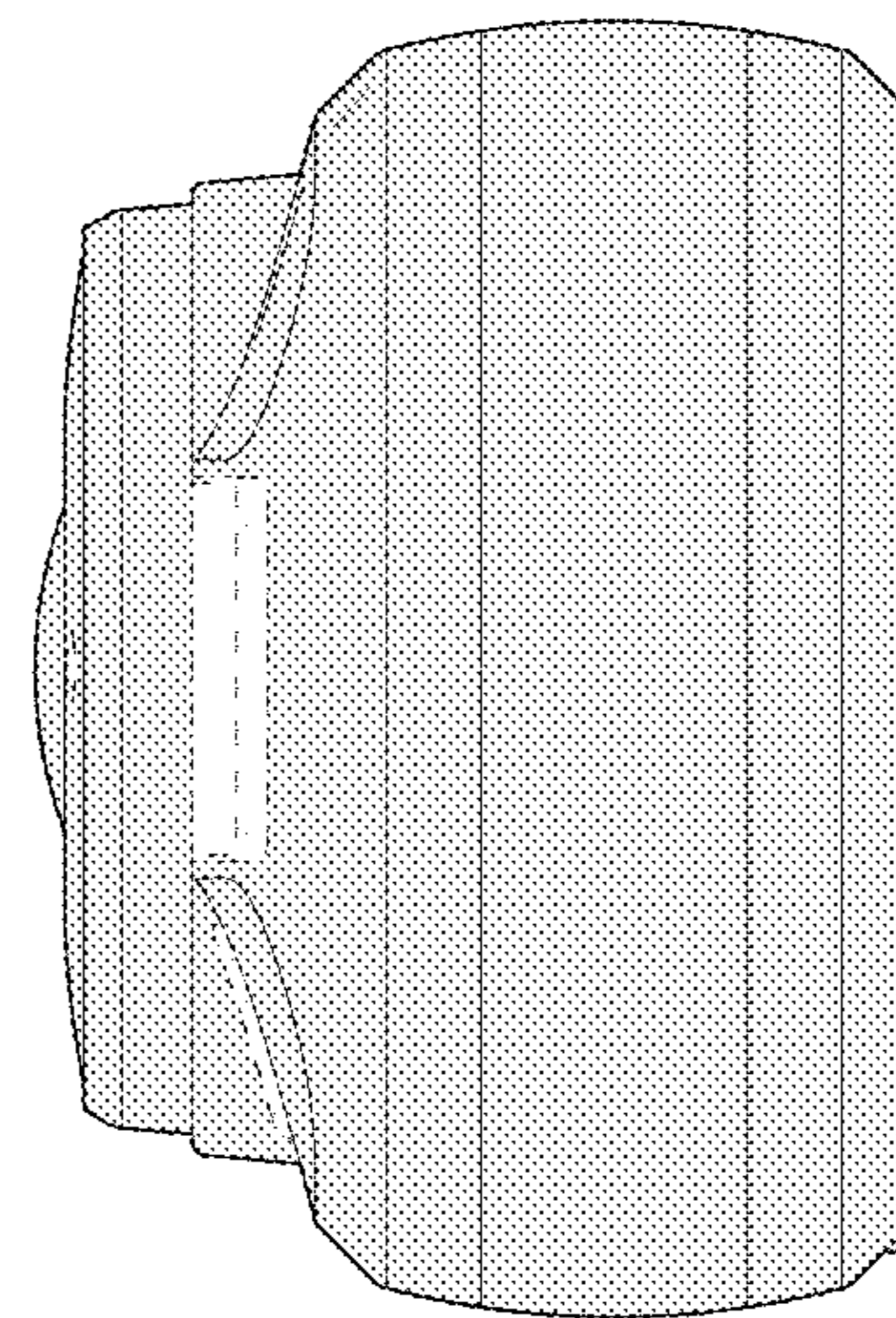


Fig. 8