



US00D868865S

(12) **United States Design Patent** (10) **Patent No.:** **US D868,865 S**
Bogart et al. (45) **Date of Patent:** **** Dec. 3, 2019**

- (54) **ROBOT STAND**
- (71) Applicants: **Zac Bogart**, Santa Barbara, CA (US);
John Trengove, Laguna Beach, CA (US)
- (72) Inventors: **Zac Bogart**, Santa Barbara, CA (US);
John Trengove, Laguna Beach, CA (US)
- (73) Assignee: **Productive Robotics, Inc.**, Carpinteria, CA (US)
- (**) Term: **15 Years**
- (21) Appl. No.: **29/641,361**
- (22) Filed: **Mar. 21, 2018**
- (51) **LOC (12) Cl.** **15-99**
- (52) **U.S. Cl.**
USPC **D15/199**
- (58) **Field of Classification Search**
USPC 15/122, 199; 21/578-583, 621, 622;
23/259, 262, 263
CPC A63H 3/00; B25J 9/00; B25J 9/104; B25J 9/161; B25J 9/1617; G05B 19/00; G05B 2219/33105; G05B 2219/36433; G05B 2219/39335; G05B 2219/39427; G05B 2219/40304; G06C 7/60; G06N 3/00; G06N 3/004; G06N 3/006; G06N 3/008; G06N 5/00
See application file for complete search history.

D749,223	S *	2/2016	Vargas	D24/185
D778,218	S *	2/2017	Okazaki	D12/174
D805,568	S *	12/2017	Ke	D15/199
D815,992	S *	4/2018	Augustijn	D12/130
9,940,604	B2 *	4/2018	Galluzzo	B25J 5/007
D819,711	S *	6/2018	Li	D15/199
D822,736	S *	7/2018	Kato	D15/199
2006/0125356	A1 *	6/2006	Meek, Jr.	A61G 12/001 312/215
2011/0071677	A1 *	3/2011	Stilman	B25J 5/007 700/254
2015/0032252	A1 *	1/2015	Galluzzo	B25J 5/007 700/218
2016/0107317	A1 *	4/2016	Hashimoto	B25J 9/042 414/744.2
2016/0229058	A1 *	8/2016	Pinter	G06Q 50/22
2016/0271803	A1 *	9/2016	Stewart	B25J 11/0085
2016/0327383	A1 *	11/2016	Becker	G01B 11/005
2016/0332303	A1 *	11/2016	Kirihara	B25J 9/1653
2017/0296257	A1 *	10/2017	Shelton, IV	A61B 34/37
2018/0104829	A1 *	4/2018	Altman	B25J 19/005
2018/0111270	A1 *	4/2018	Hasegawa	B25J 9/1633

* cited by examiner

Primary Examiner — Patricia A Palasik

(74) Attorney, Agent, or Firm — Arthur Freilich

(57) **CLAIM**

The ornamental design for a robot stand, as shown and described.

DESCRIPTION

FIG. 1 is a perspective view of a robot stand incorporating the subject design;
FIG. 2 is a front view of the robot stand;
FIG. 3 is a right-side view;
FIG. 4 is a rear view;
FIG. 5 is a left-side view; and,
FIG. 6 is a top view.

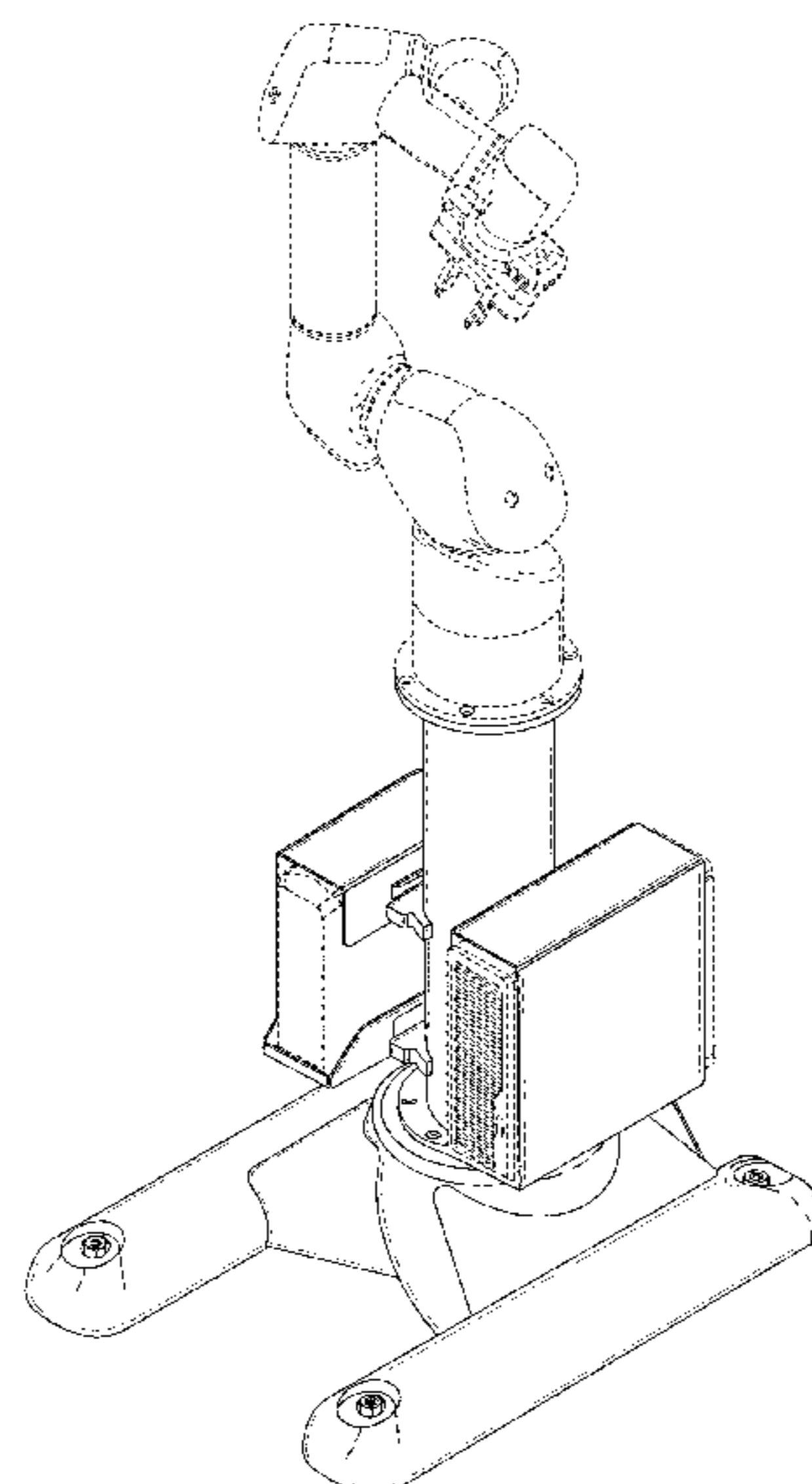
The broken lines in the drawings depict portions of the robot stand which form no part of the claimed design.

1 Claim, 6 Drawing Sheets

(56) **References Cited**

U.S. PATENT DOCUMENTS

4,636,137	A *	1/1987	Lemelson	B25J 5/005 348/114
D455,163	S *	4/2002	Kawaguchi	D15/199
7,171,286	B2 *	1/2007	Wang	G06F 19/3418 700/248
D712,447	S *	9/2014	He	D15/199



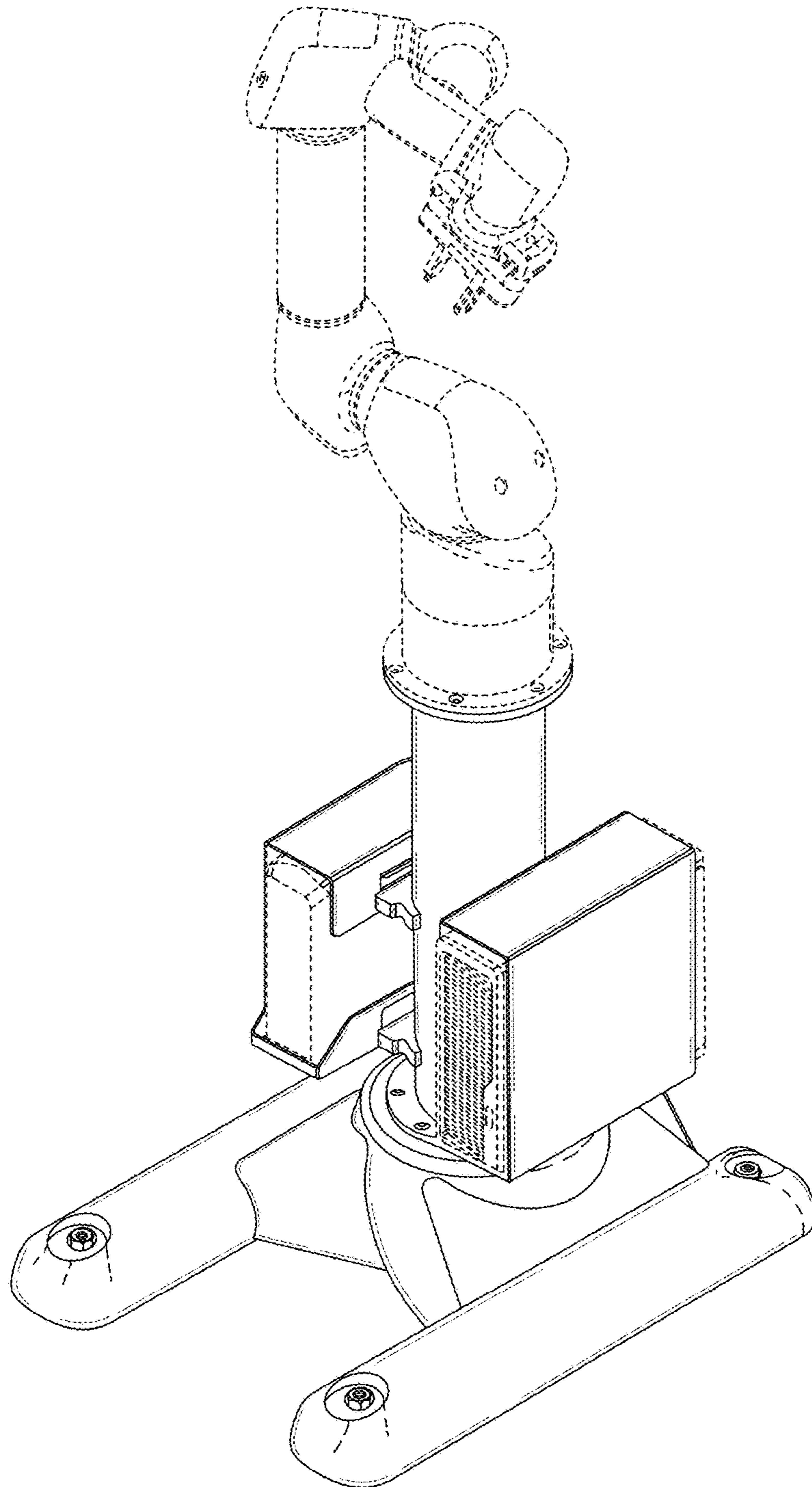


FIG. 1

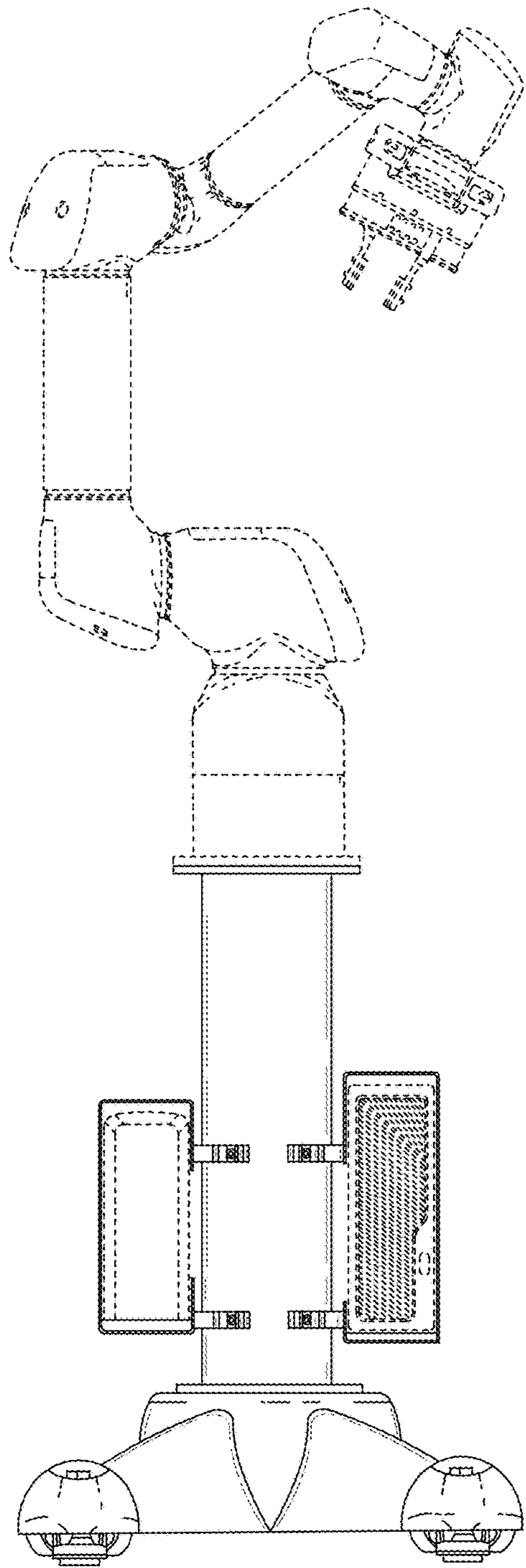


FIG. 2

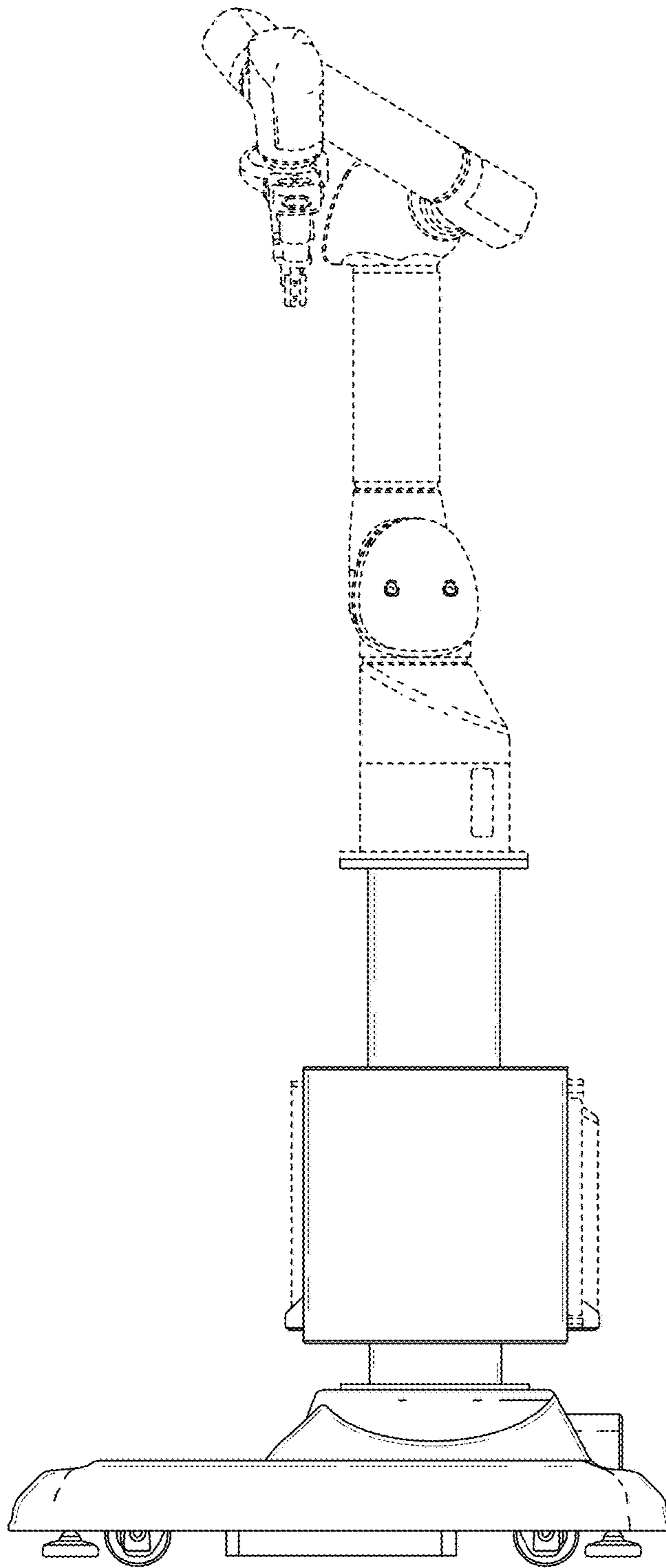


FIG. 3

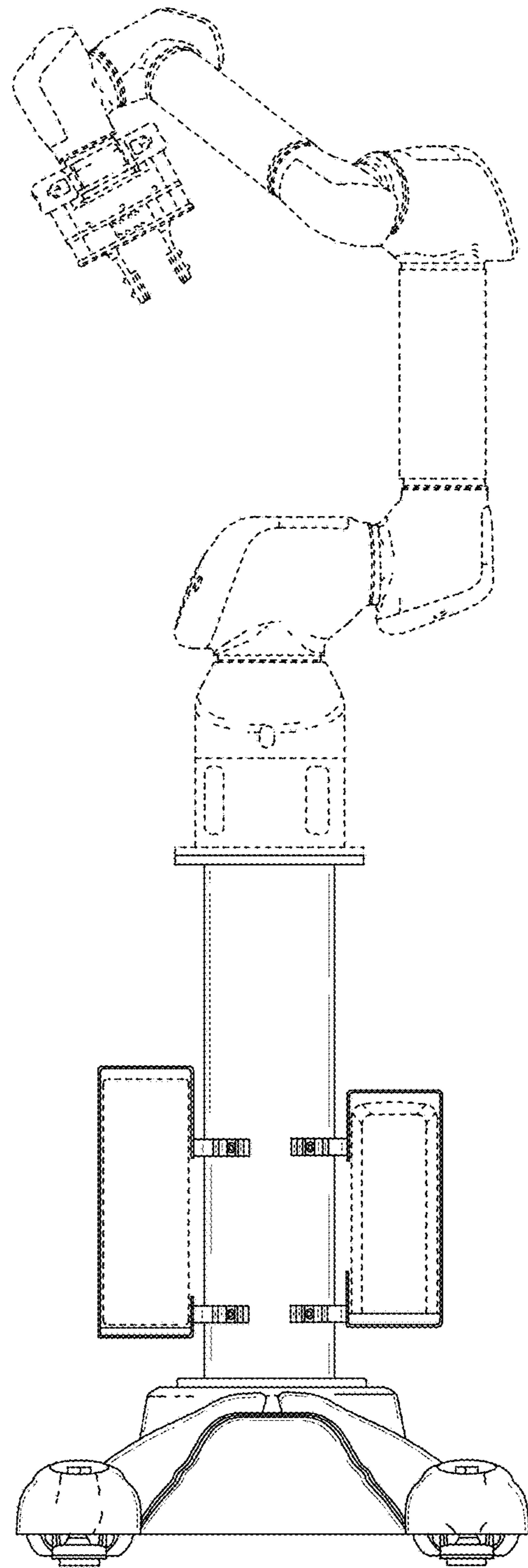


FIG. 4

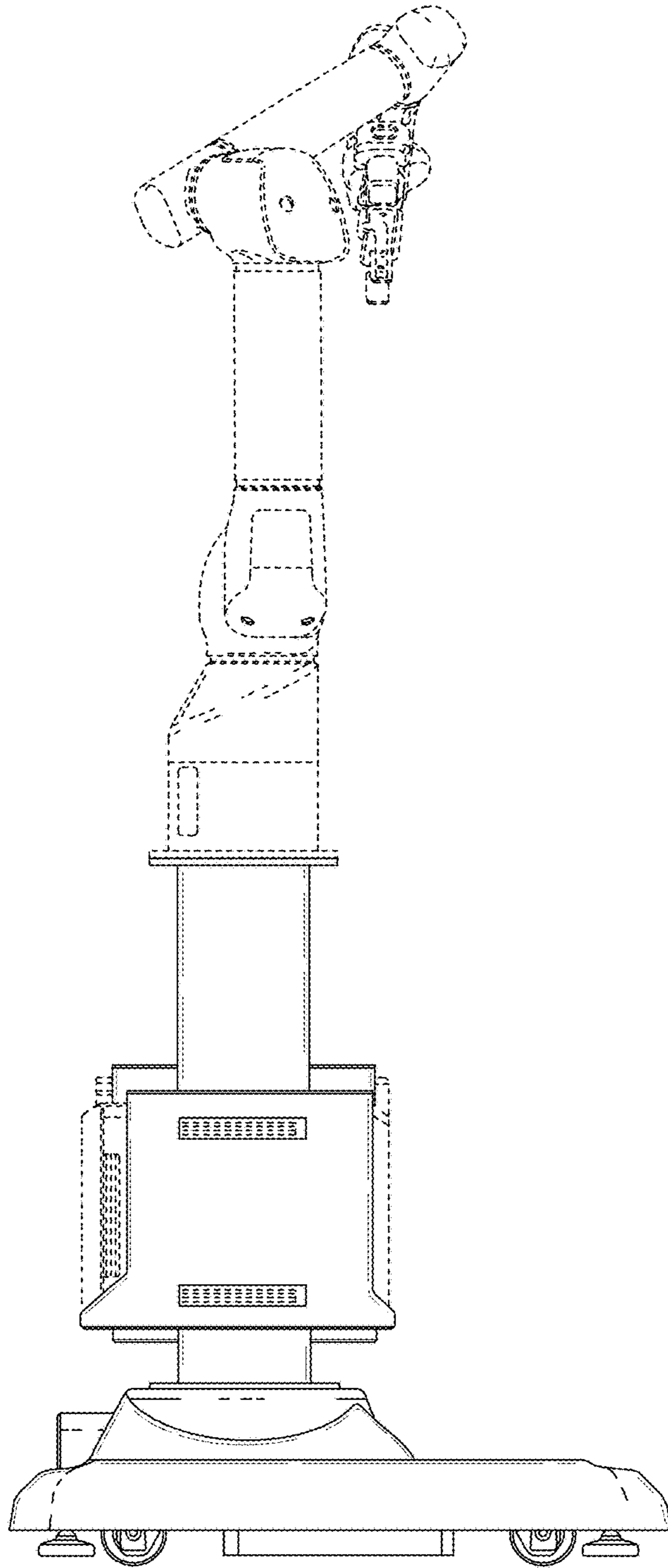


FIG. 5

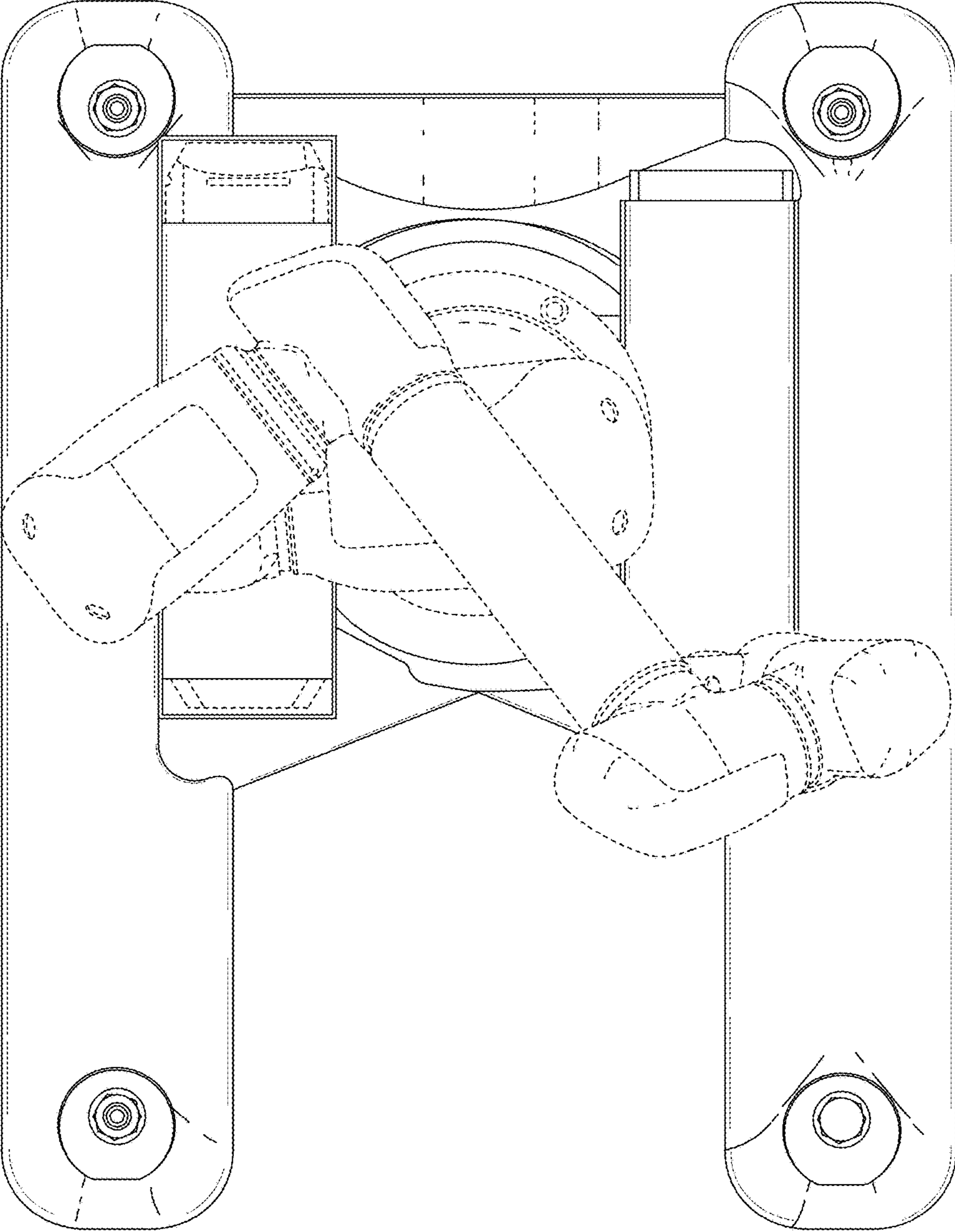


FIG. 6