



US00D868864S

(12) **United States Design Patent**
Lachenmeier

(10) **Patent No.:** **US D868,864 S**

(45) **Date of Patent:** **** Dec. 3, 2019**

- (54) **ROBOTIC WORKSTATION**
- (71) Applicant: **EasyRobotics ApS**, Soenderborg (DK)
- (72) Inventor: **Per Lachenmeier**, Soenderborg (DK)
- (73) Assignee: **EASYROBOTICS APS**, Soenderborg (DK)
- (**) Term: **15 Years**
- (21) Appl. No.: **29/629,322**
- (22) Filed: **Dec. 12, 2017**
- (51) **LOC (12) Cl.** **15-99**
- (52) **U.S. Cl.**
USPC **D15/199**
- (58) **Field of Classification Search**
USPC D15/199; D21/578
CPC B25J 11/009; G05D 1/024; G05D 1/027;
G05D 1/0011; G05D 1/0227; G05D
1/0242; G05D 1/0246; G05D 1/0255;
G05D 1/0272; G05D 1/0274; G05D
2201/0206; G05D 2201/0211
See application file for complete search history.

D635,603	S	*	4/2011	Paz Rodriguez	D15/199
D644,256	S	*	8/2011	Kitano	D15/199
D663,333	S	*	7/2012	Kitano	D15/199
D663,334	S	*	7/2012	Kitano	D15/199
8,265,793	B2	*	9/2012	Cross	H04N 7/15 180/168
D675,656	S	*	2/2013	Sutherland	D15/199
D685,438	S	*	7/2013	Fan	D15/199
D696,658	S	*	12/2013	Winston	D14/307
D701,256	S	*	3/2014	Song	D15/199
D709,141	S	*	7/2014	Parker	D15/199
D719,621	S	*	12/2014	Song	D21/578
D725,166	S	*	3/2015	Paik	D15/199
D725,167	S	*	3/2015	Song	D15/199
D726,836	S	*	4/2015	Song	D15/199
9,014,848	B2	*	4/2015	Farlow	B25J 11/009 700/245
D732,096	S	*	6/2015	Jang	D15/199
D735,258	S	*	7/2015	Jang	D15/199
9,174,342	B2	*	11/2015	Pinter	G06Q 50/22

* cited by examiner

Primary Examiner — Patricia A Palasik
(74) *Attorney, Agent, or Firm* — Morse, Barnes-Brown & Pendleton, P.C.; Sean D. Detweiler, Esq.

(57) **CLAIM**

The ornamental design for a robotic workstation, as shown and described.

(56) **References Cited**

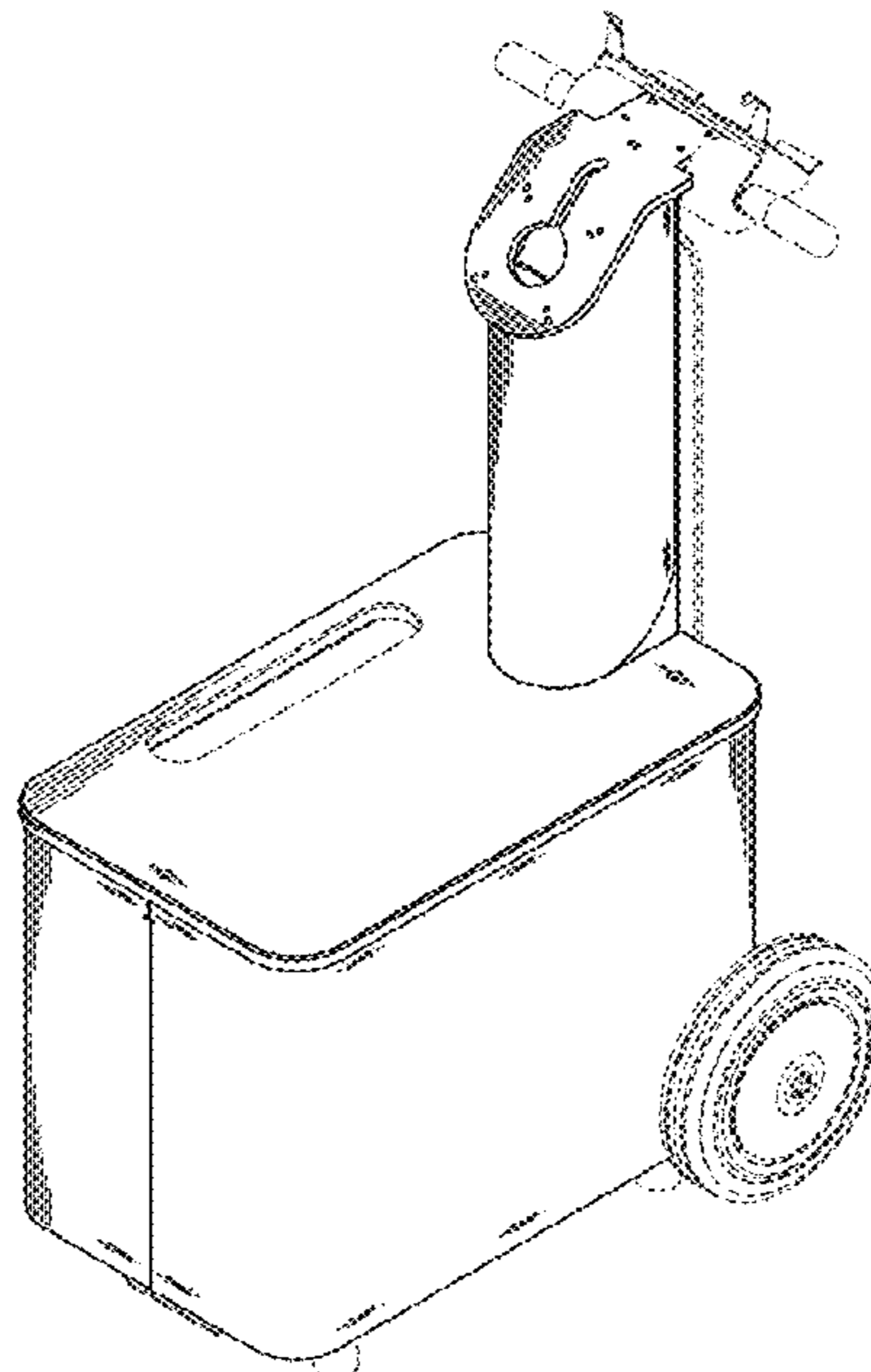
U.S. PATENT DOCUMENTS

D285,599	S	*	9/1986	Forino	D21/578
D290,032	S	*	5/1987	Horiuchi	D21/578
D293,344	S	*	12/1987	Shiraishi	D21/578
D293,346	S	*	12/1987	Horiuchi	D21/578
D314,401	S	*	2/1991	Lehman	D20/3
D353,323	S	*	12/1994	Meng	D21/578
D427,742	S	*	7/2000	McCormack	D99/28
D450,788	S	*	11/2001	Kawasaki	D21/578
D456,080	S	*	4/2002	Karlsson	D24/185
D549,756	S	*	8/2007	Park	D15/199
D559,288	S	*	1/2008	Matsuda	D15/199
D579,035	S	*	10/2008	Kim	D15/199

DESCRIPTION

FIG. 1 is a right side view of a robotic workstation showing my new design;
FIG. 2 is a top view thereof;
FIG. 3 is a bottom view thereof;
FIG. 4 is a front view thereof;
FIG. 5 is a left side view thereof;
FIG. 6 is a rear view thereof; and,
FIG. 7 is a front perspective view thereof.

1 Claim, 7 Drawing Sheets



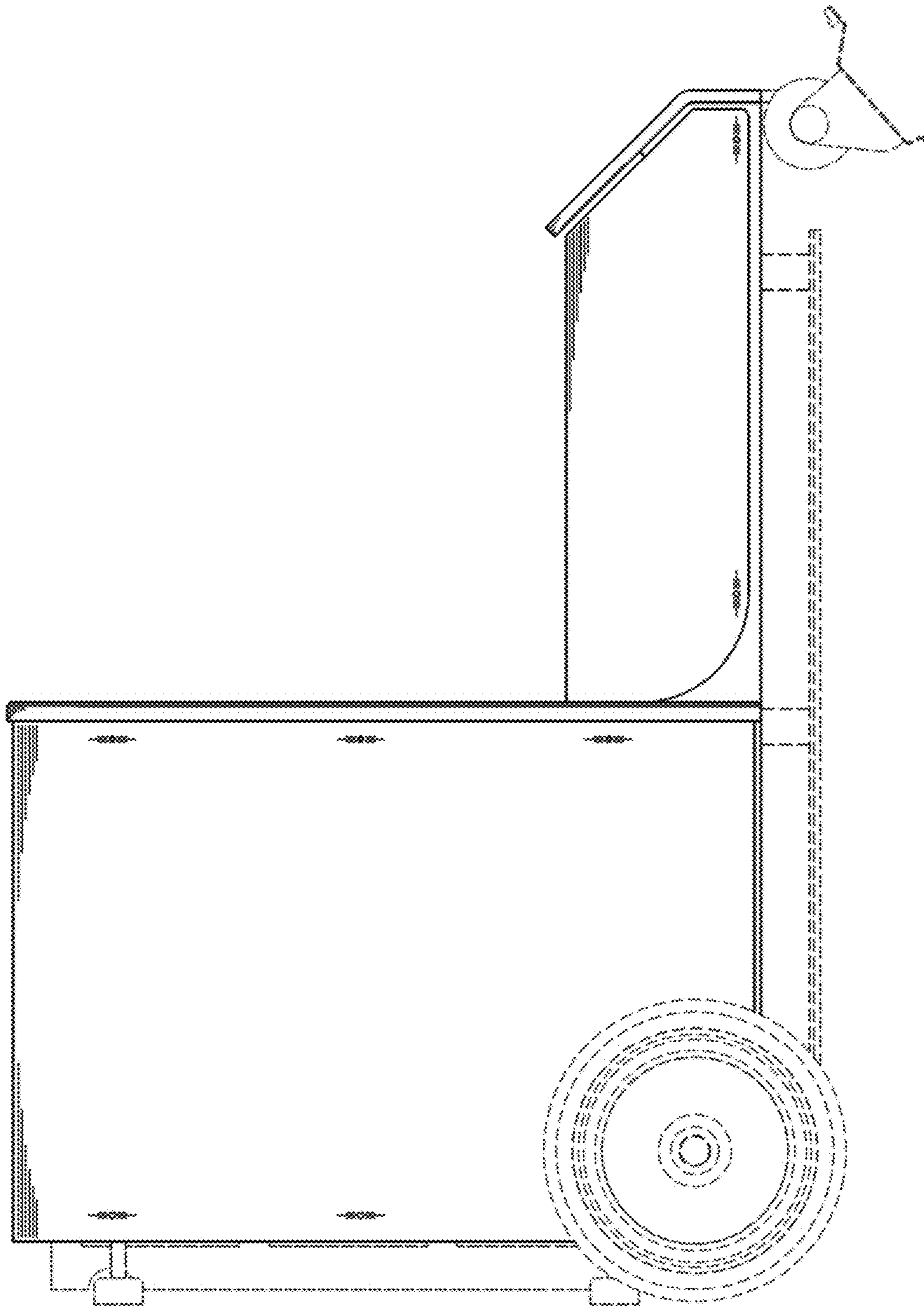


Fig. 1

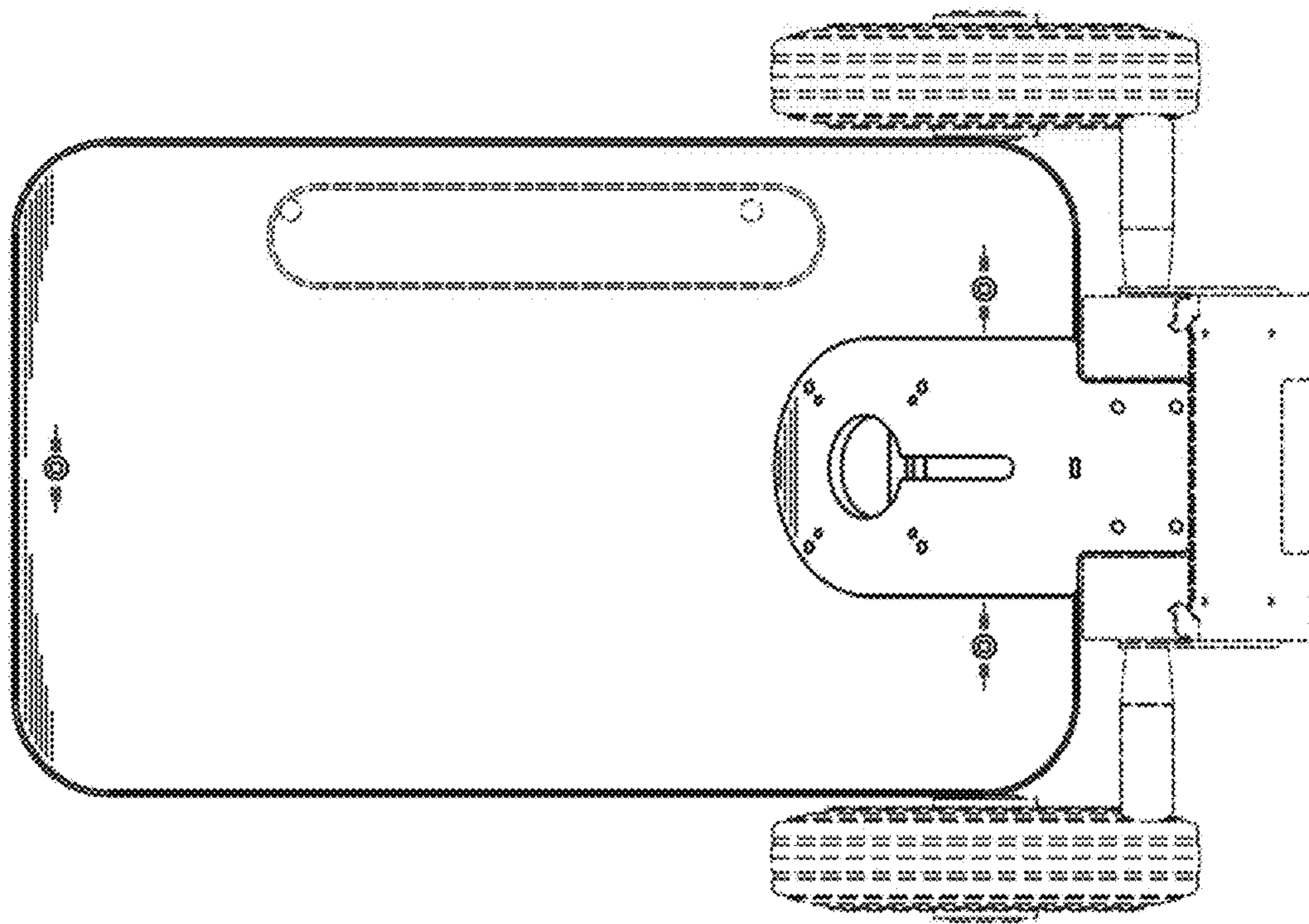


Fig. 2

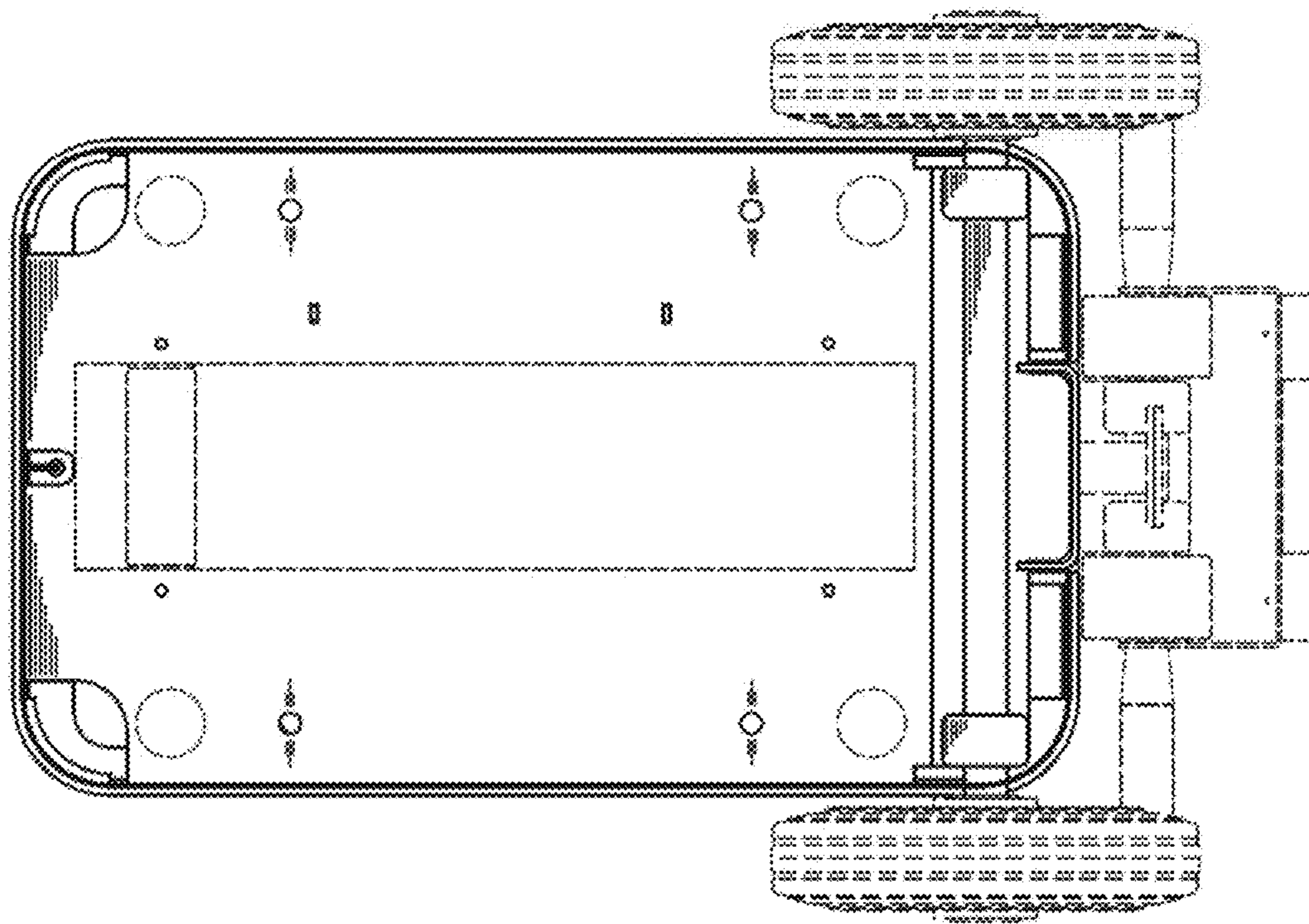


Fig. 3

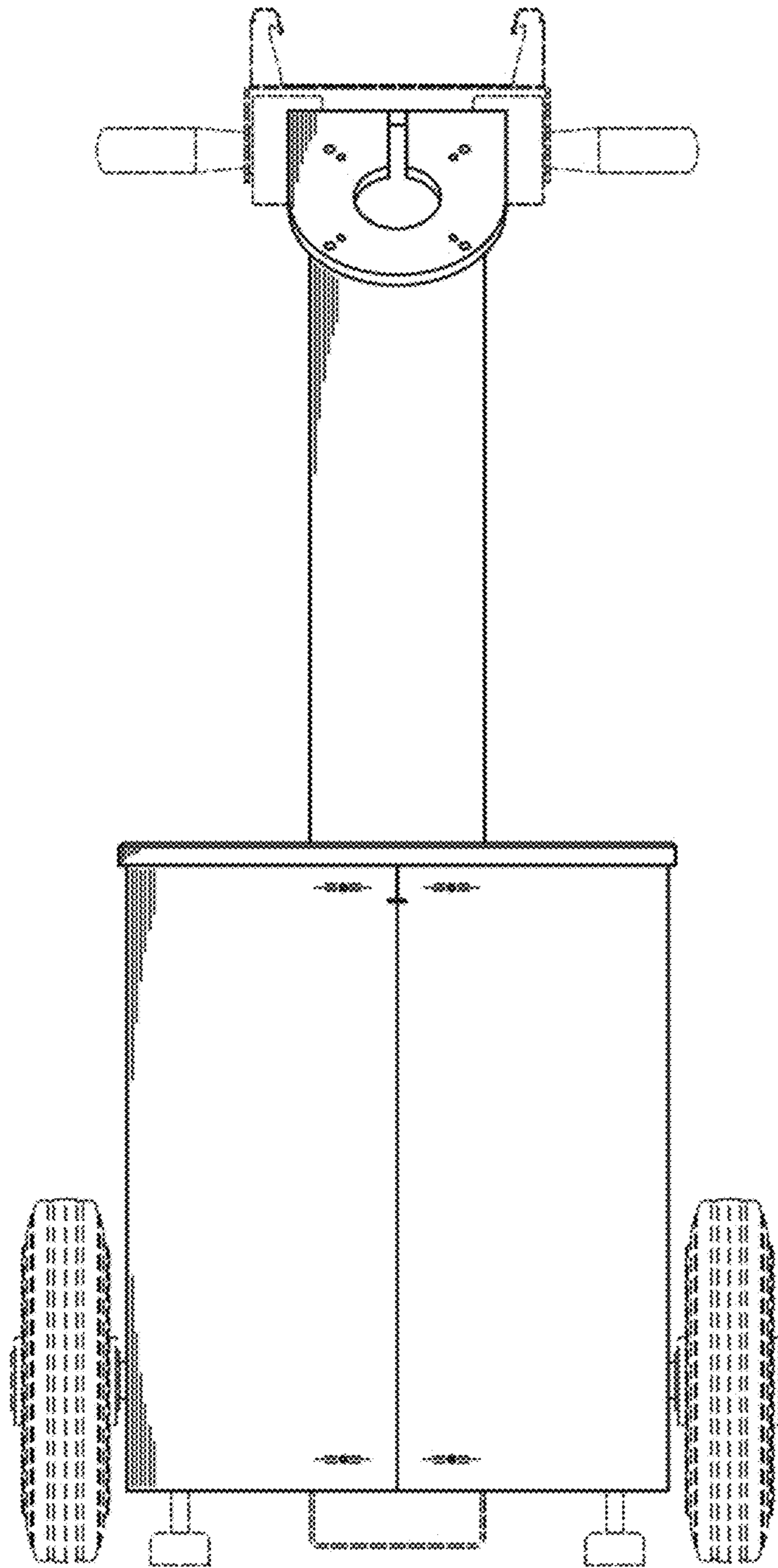


Fig. 4

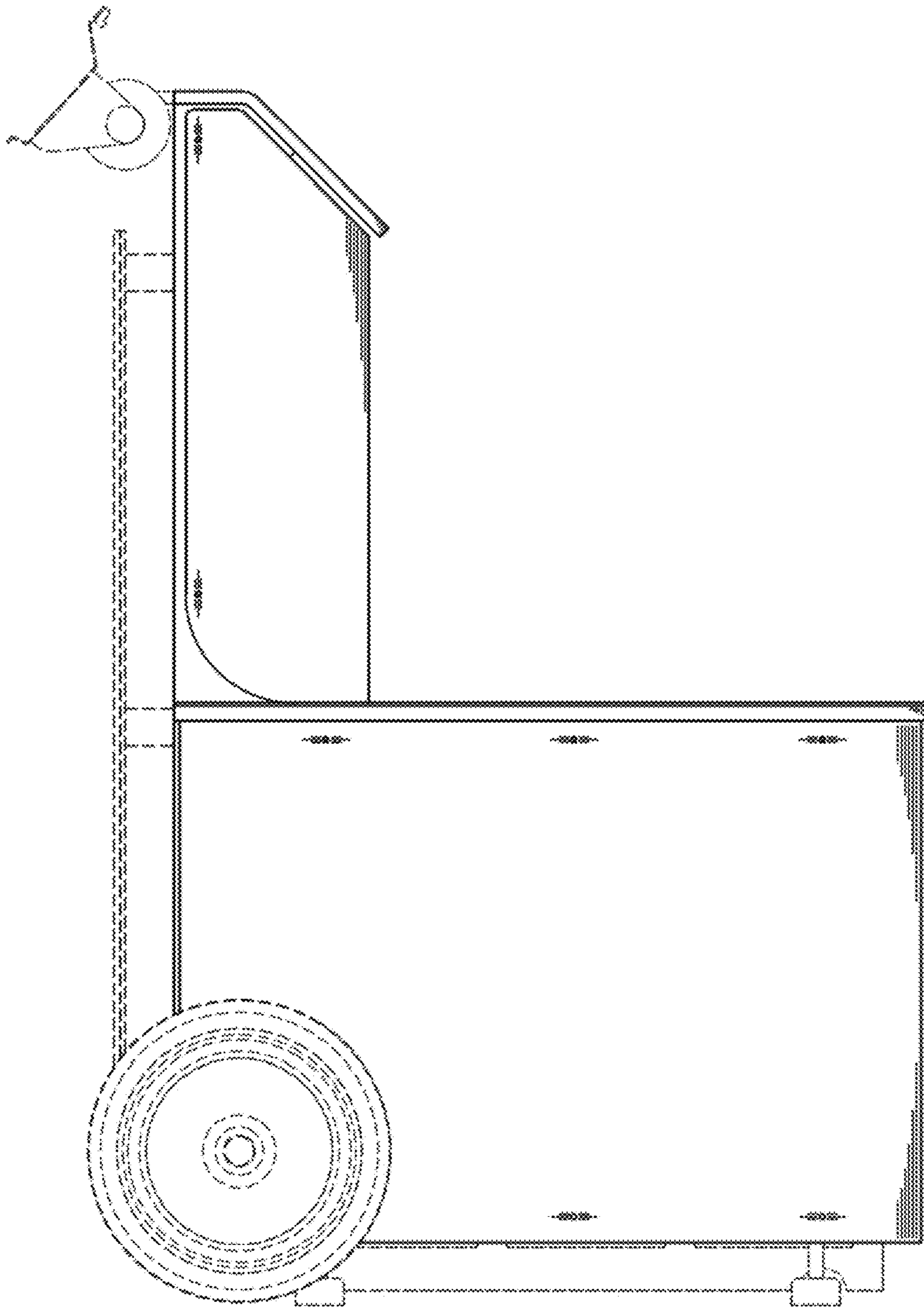


Fig. 5

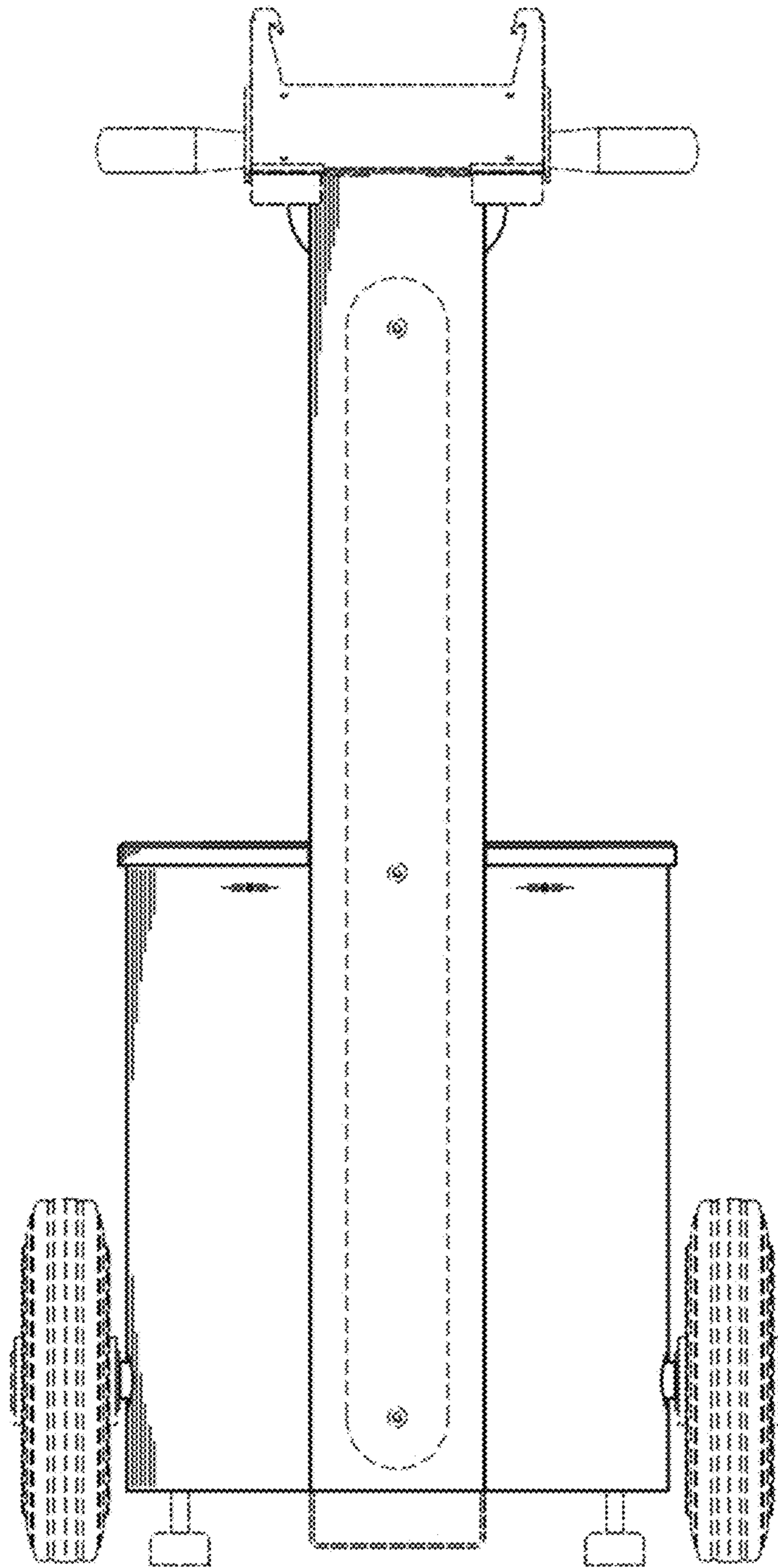


Fig. 6

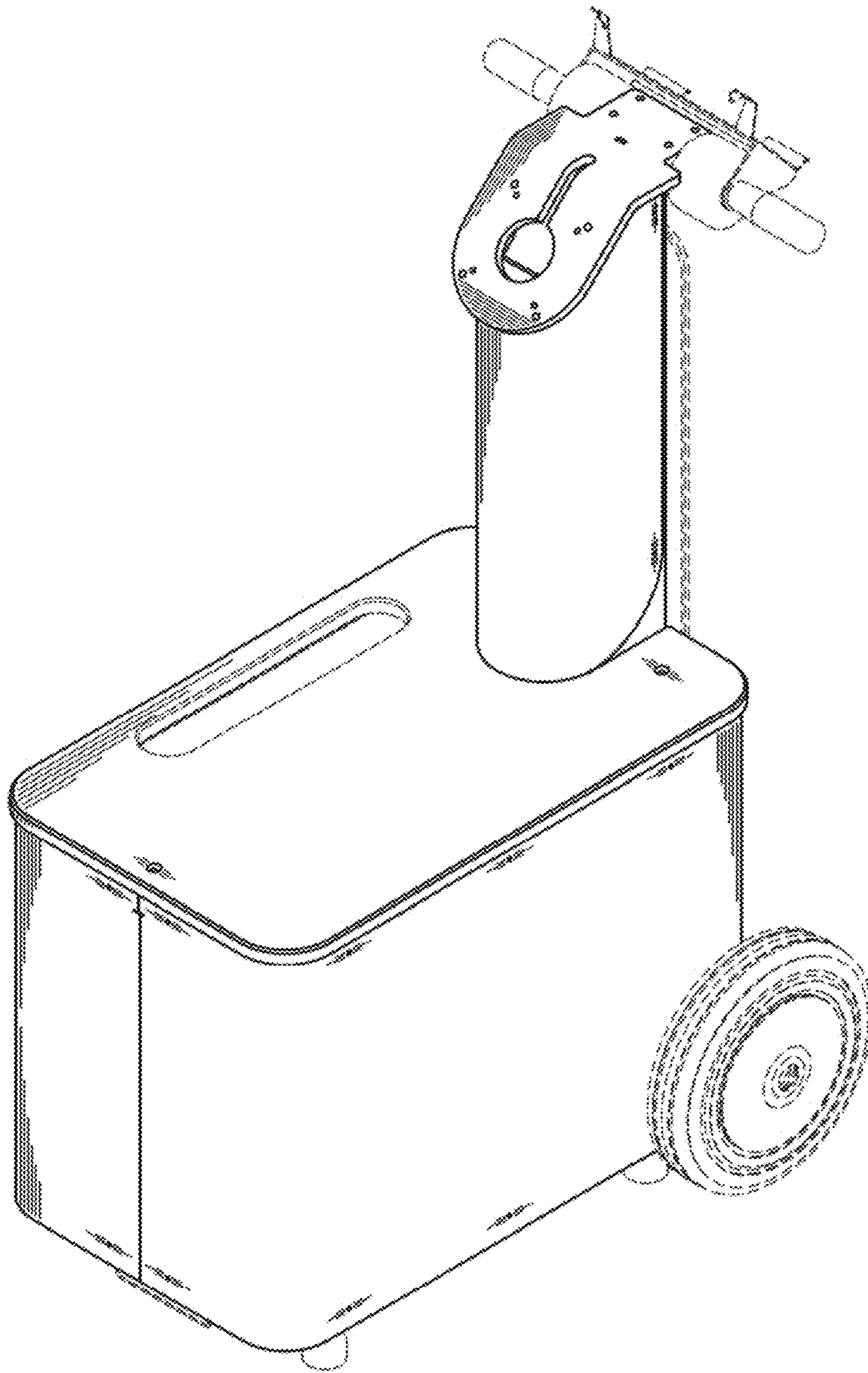


Fig. 7