



US00D868863S

(12) **United States Design Patent** (10) **Patent No.:** **US D868,863 S**
Mäkelä (45) **Date of Patent:** **** Dec. 3, 2019**

(54) **VEHICLE**
 (71) Applicant: **STARSHIP TECHNOLOGIES OÜ**,
 Tallinn (EE)
 (72) Inventor: **Antti Juhana Mäkelä**, Helsinki (FI)
 (73) Assignee: **STARSHIP TECHNOLOGIES OÜ**,
 Tallinn (EE)
 (**) Term: **15 Years**
 (21) Appl. No.: **29/585,966**
 (22) Filed: **Nov. 30, 2016**

4,496,272 A 1/1985 Pipes
 4,513,832 A * 4/1985 Engman A61G 5/00
 180/22
 4,621,562 A * 11/1986 Carr B25J 5/007
 180/22
 D295,105 S 4/1988 Dawson et al.
 4,932,831 A * 6/1990 White B25J 5/005
 180/2.1
 4,962,453 A 10/1990 Pong et al.
 5,037,159 A * 8/1991 Nutter G21F 5/00
 15/352
 D324,006 S 2/1992 Oslapas et al.
 5,086,995 A * 2/1992 Large B64C 25/34
 244/102 R
 5,229,913 A * 7/1993 Smith H02B 1/52
 361/622
 D340,620 S 10/1993 Peters
 5,454,129 A 10/1995 Kell
 D369,022 S 4/1996 Sun
 D401,407 S 11/1998 Bro et al.

Related U.S. Application Data

(63) Continuation of application No. 29/560,357, filed on Apr. 6, 2016.

Foreign Application Priority Data

Oct. 7, 2015 (EM) 002814277-0001
 Nov. 2, 2015 (EM) 002845404-0001

(51) **LOC (12) Cl.** **15-99**
 (52) **U.S. Cl.**
 USPC **D15/199**

(58) **Field of Classification Search**
 USPC D12/91; D15/199; D21/578; D24/18,
 D24/28, 34; D34/16
 CPC G05D 1/0022; G05D 2201/0209; G08C
 17/00; G08C 2201/40
 See application file for complete search history.

(56) **References Cited**

U.S. PATENT DOCUMENTS

D165,195 S 11/1951 Schlumbohm
 3,628,624 A 12/1971 Wesener
 4,009,761 A * 3/1977 Meyer B62D 11/02
 180/22

(Continued)

Primary Examiner — Patricia A Palasik

(74) *Attorney, Agent, or Firm* — Cantor Colburn LLP

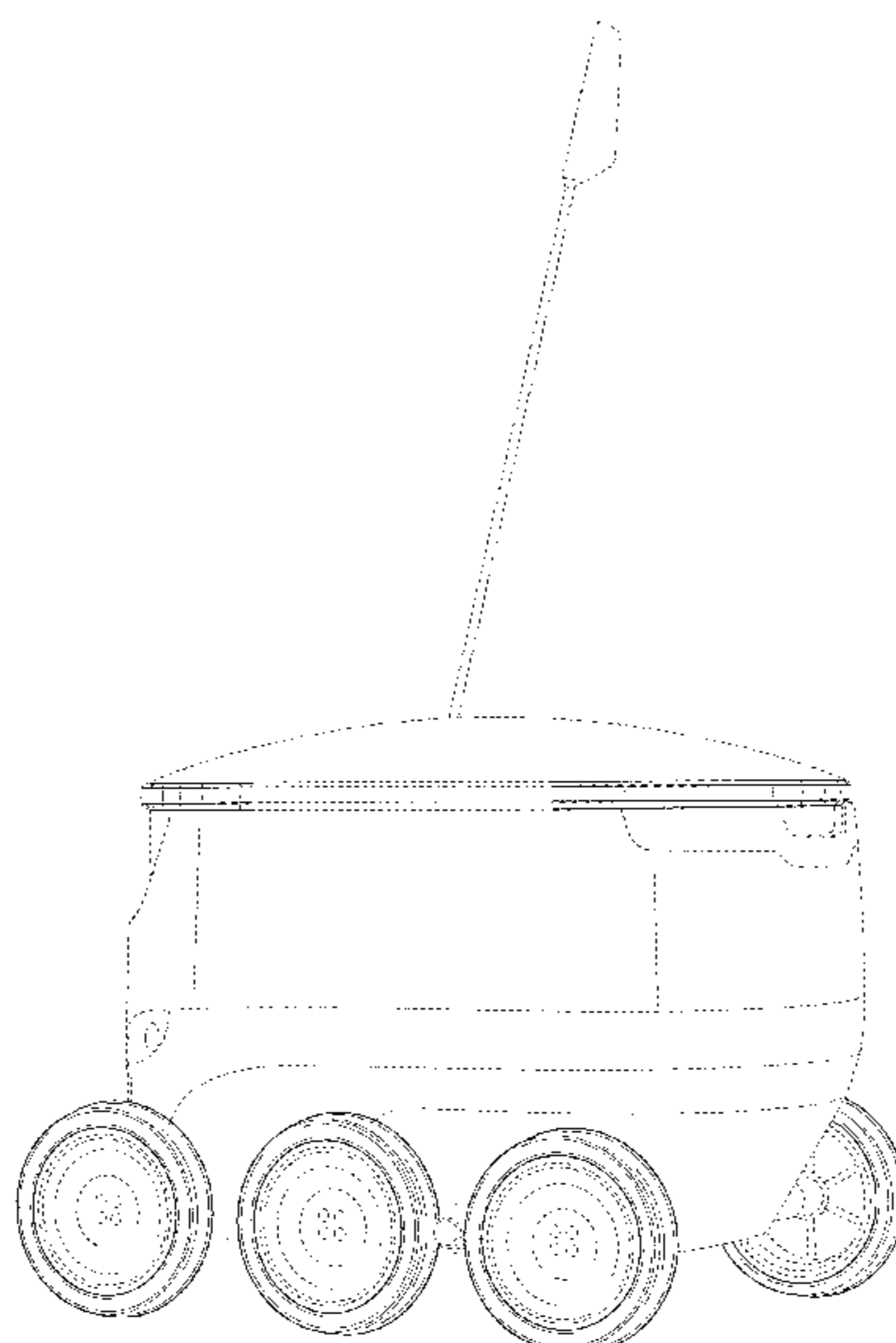
(57) **CLAIM**

I claim, the ornamental design for vehicle, as shown and described.

DESCRIPTION

FIG. 1 is a rear perspective view of a vehicle, showing my new design;
 FIG. 2 is a front perspective view thereof;
 FIG. 3 is a front view thereof;
 FIG. 4 is a rear view thereof;
 FIG. 5 is a top view thereof; and,
 FIG. 6 is a side view thereof, the opposite side view being a mirror image hereof.
 The broken lines in the drawings depict unclaimed environmental subject matter.

1 Claim, 6 Drawing Sheets



(56)

References Cited

U.S. PATENT DOCUMENTS

6,113,343	A *	9/2000	Goldenberg	B25J 5/005 239/587.2	D803,765	S	11/2017	Bei et al.
6,144,180	A *	11/2000	Chen	B62D 57/028 318/568.1	9,849,901	B2	12/2017	Jackman
6,698,788	B2 *	3/2004	Yang	B62B 9/104 280/642	D813,101	S	3/2018	Devine et al.
D506,162	S	6/2005	Collinson		D818,397	S	5/2018	Mäkelä
D510,545	S	10/2005	Riegel et al.		D821,265	S	6/2018	Mäkelä
D514,391	S	2/2006	Miesieski et al.		10,005,609	B1	6/2018	Biene et al.
7,059,625	B2 *	6/2006	Horacek	B62B 9/18 280/47.38	D824,976	S	8/2018	Mäkelä
D530,158	S	10/2006	Miesieski et al.		2003/0168825	A1 *	9/2003	Henderson
D535,805	S	1/2007	Stark					B62D 13/00 280/81.6
7,207,860	B2	4/2007	Hornsby et al.		2005/0004708	A1 *	1/2005	Goldenberg
D555,305	S	11/2007	Chung et al.					G08C 17/00 700/245
D559,867	S	1/2008	Abramson		2005/0205329	A1 *	9/2005	Fanger-Vexler
7,364,183	B2 *	4/2008	Lee	B62B 7/142 280/42	2006/0182580	A1 *	8/2006	Petersen
D582,217	S	12/2008	Libby et al.					B60P 1/6454 414/538
D594,385	S	6/2009	Gadotte		2006/0186699	A1 *	8/2006	Davis
7,581,605	B2 *	9/2009	Caspi	B62B 5/02 180/8.1	2006/0238159	A1	10/2006	Jung
D606,904	S	12/2009	Greer		2007/0080511	A1 *	4/2007	Campbell
D608,158	S	1/2010	Beal					B62B 3/008 280/47.17
7,654,347	B2 *	2/2010	Franceschi	B62D 55/075 180/9.32	2007/0110552	A1 *	5/2007	Groves
D614,251	S *	4/2010	Chung	D15/199				B66F 7/14 414/589
7,798,886	B1	9/2010	Williamson		2008/0084284	A1	4/2008	Park et al.
7,854,435	B2 *	12/2010	Campbell	B62B 3/008 180/65.1	2009/0171504	A1 *	7/2009	Hyung
D630,269	S	1/2011	Matsuda et al.					G01C 21/12 700/254
D639,351	S *	6/2011	Newmayer	D21/533	2009/0217478	A1 *	9/2009	Chong
D646,528	S	10/2011	Stallman et al.					A47L 5/36 15/319
8,136,270	B1 *	3/2012	Wammock	A61G 19/00 37/300	2010/0068021	A1 *	3/2010	Petersen
8,146,695	B1	4/2012	Ramshur					A01C 15/003 414/523
D668,581	S	10/2012	Kim et al.		2010/0109293	A1 *	5/2010	Friisdahl
8,292,007	B2 *	10/2012	DeFazio	B62D 57/024 180/8.2				B62B 7/12 280/643
D672,408	S	12/2012	Ohler et al.		2010/0119343	A1 *	5/2010	Groves
8,392,036	B2 *	3/2013	Jacobsen	G05D 1/0044 318/568.12				B64F 5/0036 414/590
D682,362	S	5/2013	Mozeika		2010/0243357	A1 *	9/2010	Yim
8,677,876	B2 *	3/2014	Diaz	F41H 7/005 102/402				B25J 5/007 180/218
8,882,134	B2 *	11/2014	Rolicki	B62B 7/04 280/642	2011/0054691	A1 *	3/2011	Lee
D720,511	S	12/2014	Shin et al.					A01M 29/06 700/259
8,936,261	B2 *	1/2015	Yuan	B62B 7/008 280/47.38	2011/0132671	A1	6/2011	Lee et al.
D733,001	S	6/2015	Itou et al.		2011/0135189	A1	6/2011	Lee
9,056,622	B2 *	6/2015	Thomas	B62B 7/008	2011/0215192	A1 *	9/2011	Colantonio
D745,144	S *	12/2015	Aylmer	D24/128				B64C 25/34 244/50
9,260,127	B2 *	2/2016	Rolicki	B62B 7/04	2012/0260944	A1	10/2012	Martins et al.
D756,059	S *	5/2016	Kang	D34/34				11/2012 Kubota
9,428,208	B1 *	8/2016	Chen	B62B 9/18	2013/0154215	A1 *	6/2013	Thomas
D770,719	S	11/2016	He et al.					B62B 7/008 280/47.38
D781,661	S	3/2017	Smith		2013/0269148	A1 *	10/2013	Chiu
D797,829	S	9/2017	Lv et al.					A47L 5/225 15/329
D798,007	S	9/2017	Wo et al.		2013/0305917	A1 *	11/2013	Heral
								B64C 25/16 92/172
					2014/0239119	A1 *	8/2014	Martin
								B64C 25/50 244/50
					2014/0350725	A1	11/2014	Lafary et al.
					2015/0015027	A1 *	1/2015	Wirth
								B62D 35/001 296/180.2
					2015/0088359	A1	3/2015	Choi et al.
					2015/0307329	A1 *	10/2015	Rosenstrom
								B66C 9/04 414/460
					2016/0144712	A1 *	5/2016	Olli
								B62D 61/10 180/24.08
					2016/0272020	A1 *	9/2016	Bill
					2017/0157771	A1 *	6/2017	Jung
								B25J 9/1697
					2018/0194411	A1	7/2018	Liivik et al.

* cited by examiner

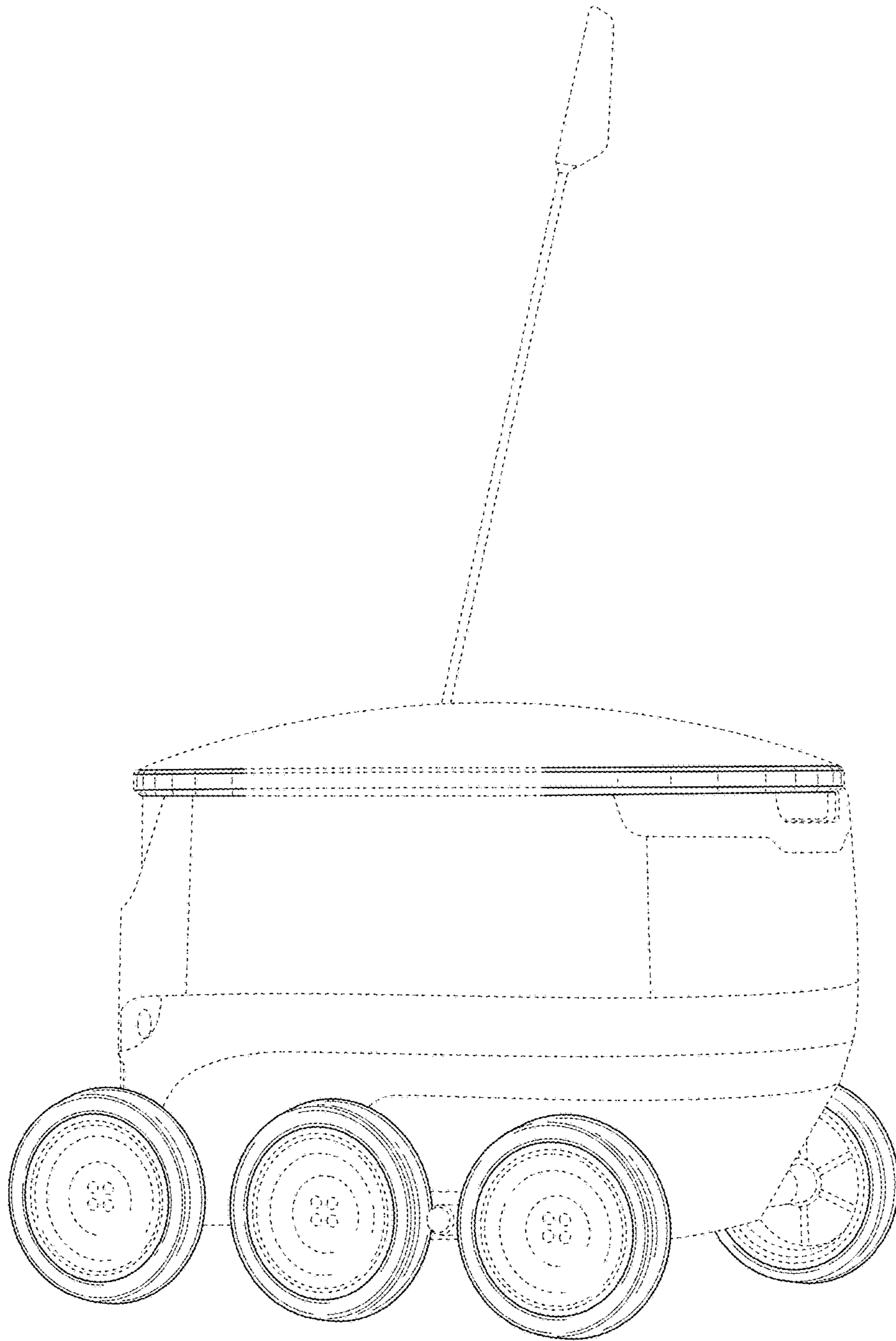


FIG. 1

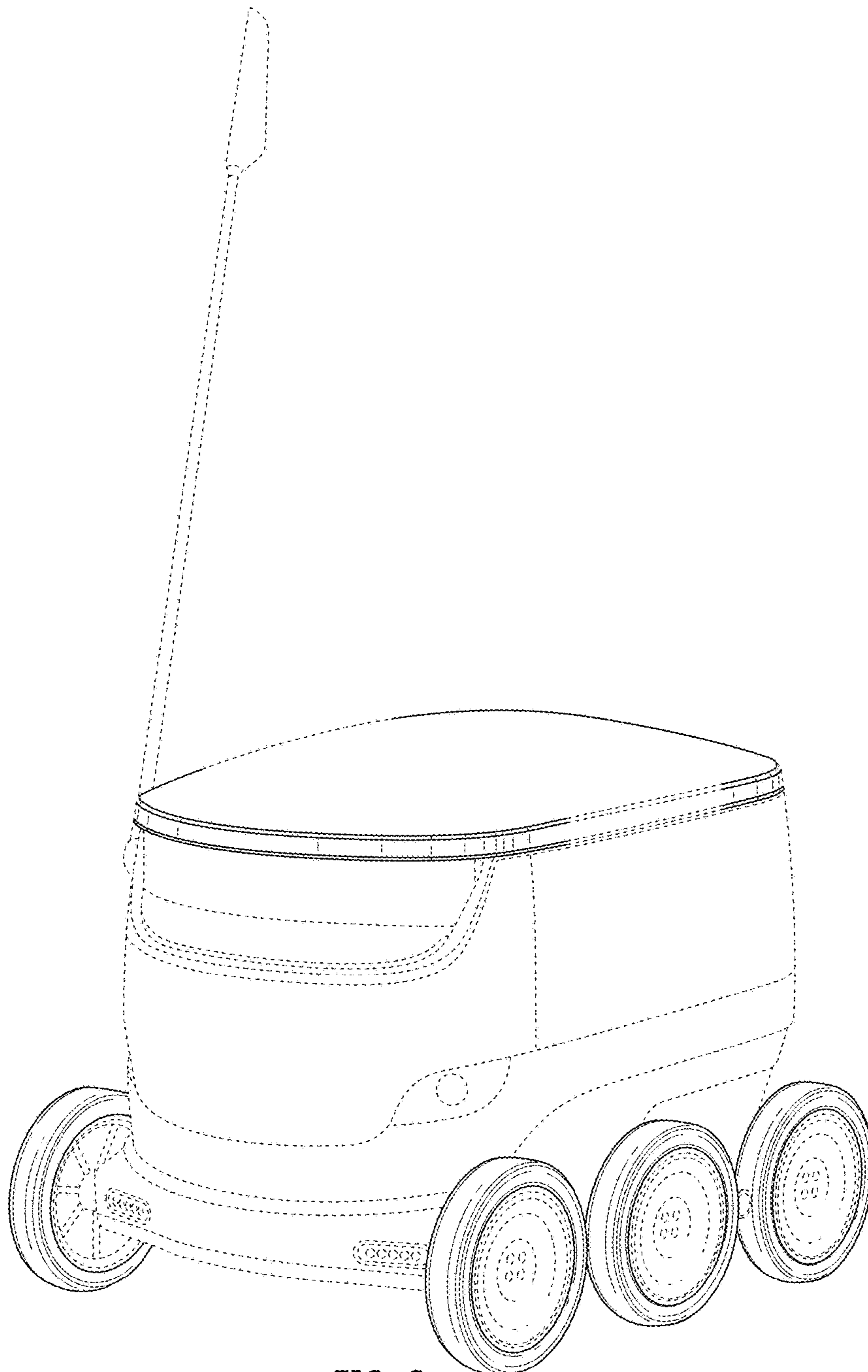


FIG. 2

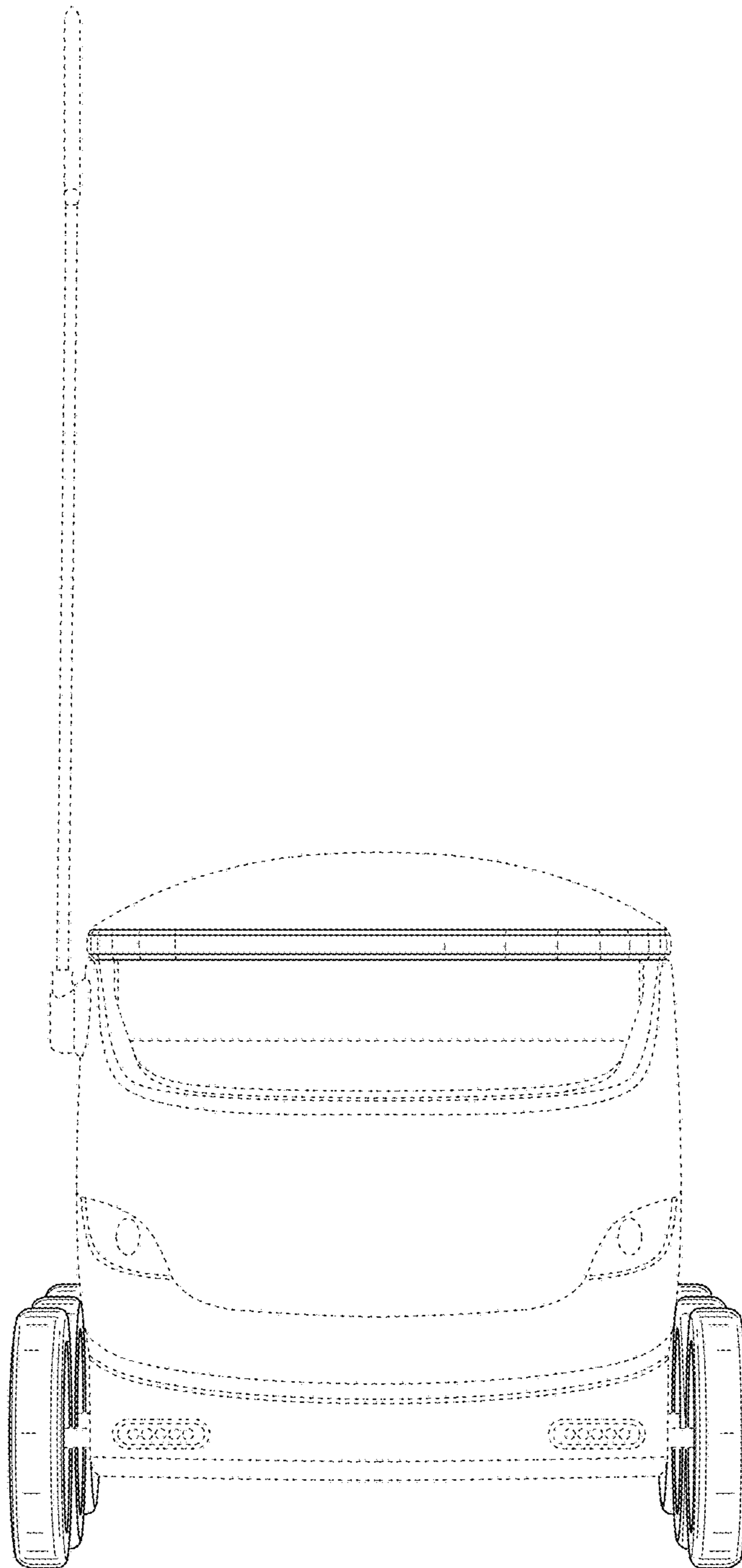


FIG. 3

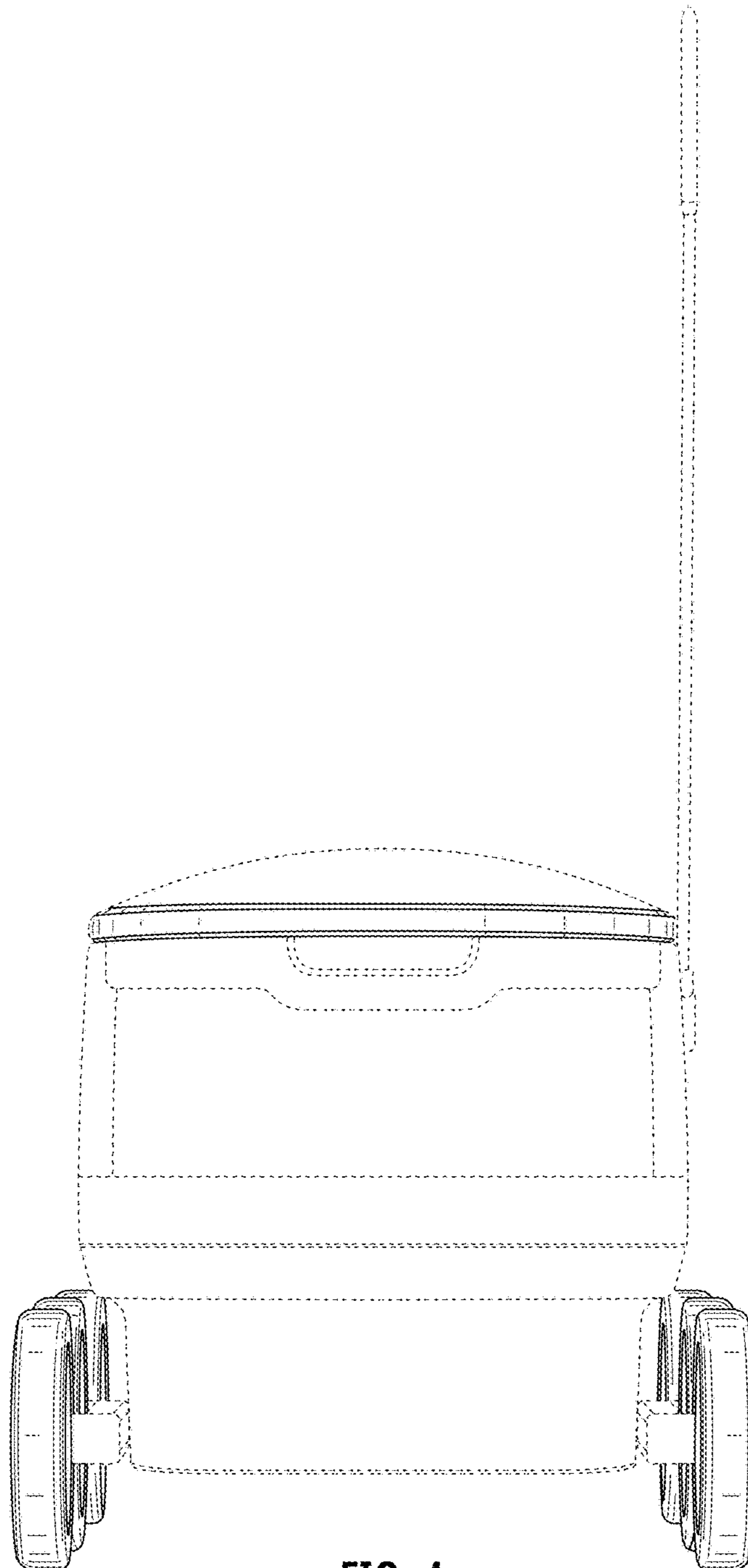


FIG. 4

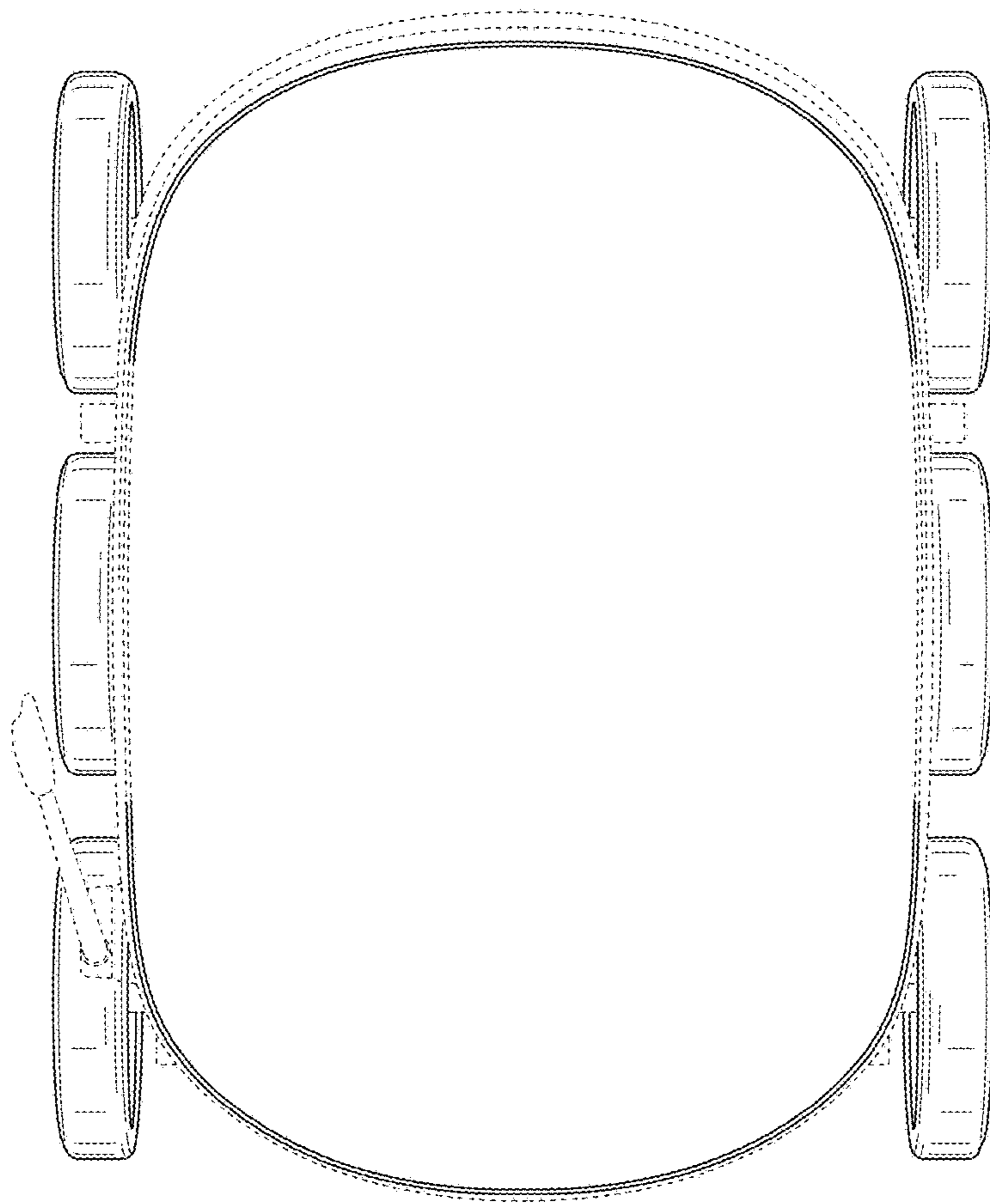


FIG. 5

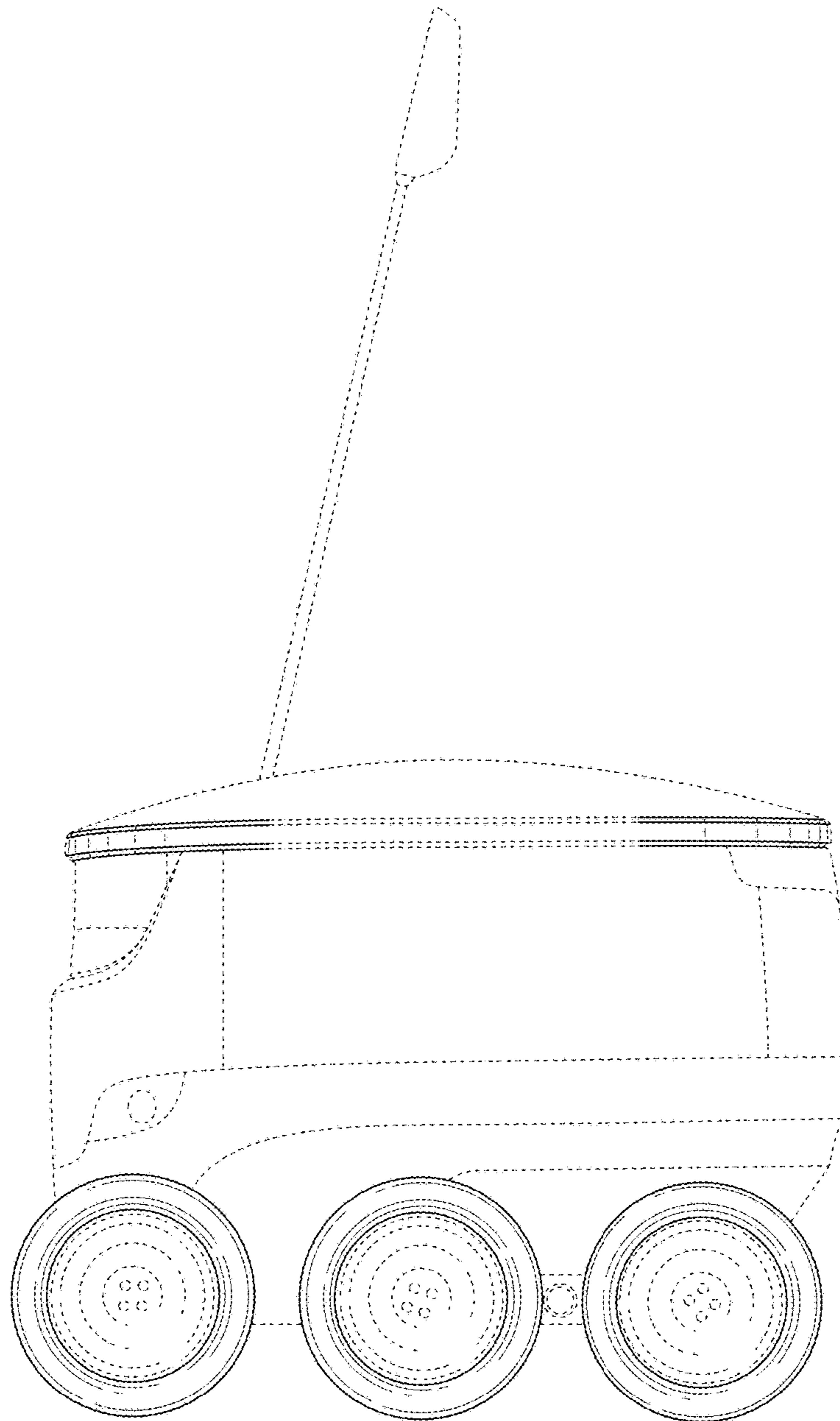


FIG. 6