

US00D868862S

(12) **United States Design Patent**
Yesnick et al.

(10) **Patent No.:** **US D868,862 S**
(45) **Date of Patent:** **** Dec. 3, 2019**

- (54) **MOTORCYCLE OIL FUNNEL**
- (71) Applicant: **MOC PRODUCTS COMPANY, INC.**,
Pacoima, CA (US)
- (72) Inventors: **Charles Yesnick**, Rolling Hills, CA
(US); **Sheldon Holland**, Acton, CA
(US)
- (73) Assignee: **MOC Products Company, Inc.**,
Pacoima, CA (US)
- (**) Term: **15 Years**
- (21) Appl. No.: **29/665,774**
- (22) Filed: **Oct. 5, 2018**
- (51) **LOC (12) Cl.** **15-09**
- (52) **U.S. Cl.**
USPC **D15/150**
- (58) **Field of Classification Search**
USPC D7/700; D15/150, 151, 152; D23/200;
D24/121-123
CPC B25B 27/0042; B67B 7/26; B67C 11/02;
B67C 2011/30; B67C 2011/025
See application file for complete search history.

- 6,227,263 B1 * 5/2001 Kust F16N 31/002
141/86
- 6,340,038 B1 * 1/2002 Ingram B67C 11/02
141/333
- 6,450,219 B1 * 9/2002 Ingram B67C 11/02
141/331
- 6,758,308 B1 * 7/2004 Hearting B67C 11/02
141/331
- 7,114,536 B2 * 10/2006 Guthrie F16L 11/15
141/337
- D541,116 S * 4/2007 Upham D7/700
- D554,166 S * 10/2007 LaFollette D15/152
- D555,439 S * 11/2007 Fletcher D15/150
- 7,299,834 B1 * 11/2007 Platt B67C 11/04
141/301
- D577,435 S * 9/2008 Ivie D24/122
- 7,677,276 B2 * 3/2010 Sun B67C 11/02
141/332
- 7,849,968 B1 * 12/2010 Krepps F16N 39/06
184/1.5
- D630,911 S * 1/2011 McCaleb D7/691
- D690,340 S * 9/2013 Levy D15/150
- D690,752 S * 10/2013 Levy D15/150

(Continued)

Primary Examiner — Patricia A Palasik
(74) *Attorney, Agent, or Firm* — Fulwider Patton LLP

(57) **CLAIM**

The ornamental design for a motorcycle oil funnel, as shown and described.

DESCRIPTION

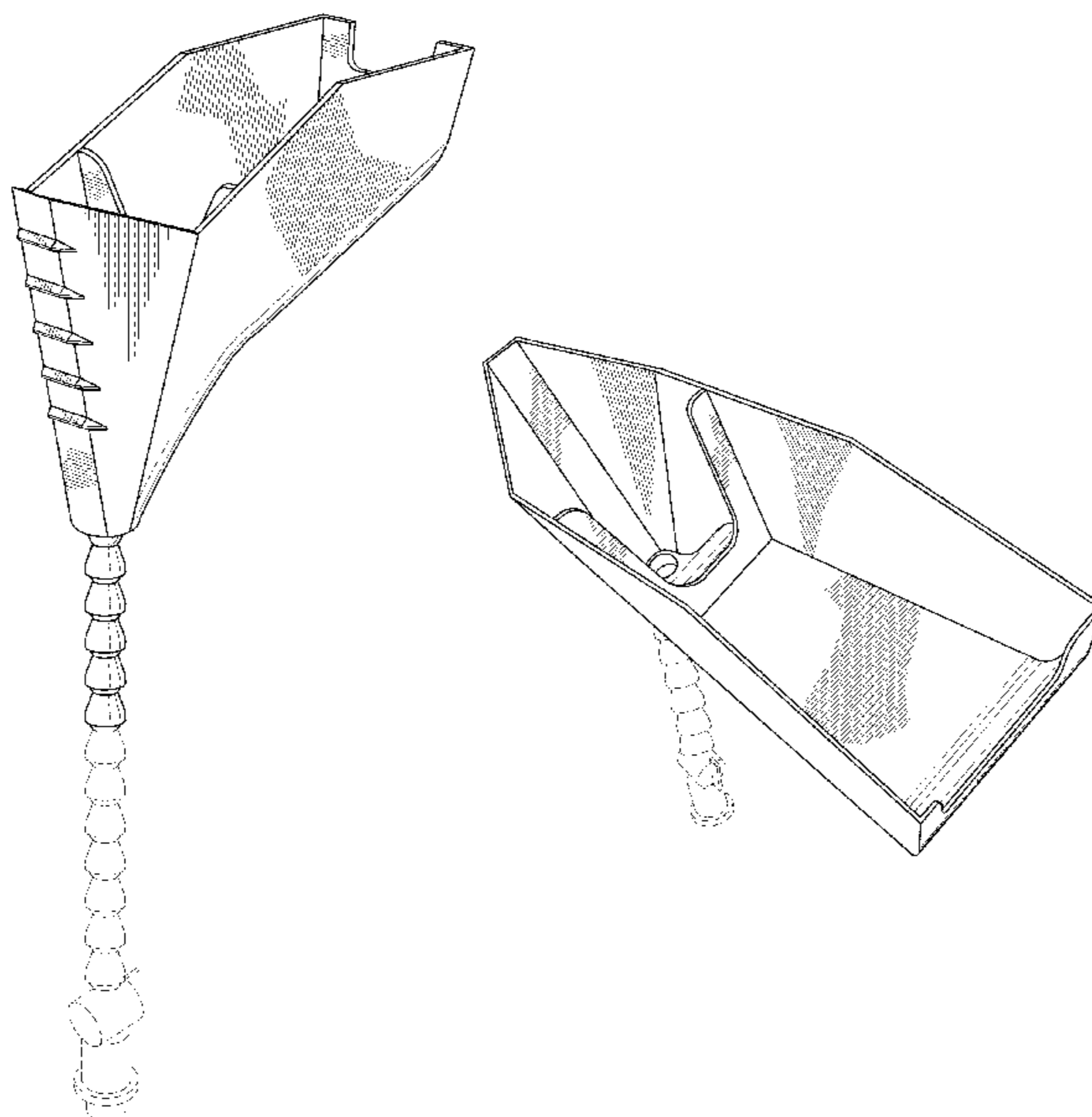
FIG. 1 is an elevated, perspective front view of a motorcycle oil funnel;
FIG. 2 is an elevated, perspective top view thereof;
FIG. 3 is a left side view thereof;
FIG. 4 is a right side view thereof;
FIG. 5 is a front view thereof;
FIG. 6 is a back view thereof;
FIG. 7 is a top view thereof; and,
FIG. 8 is a bottom view thereof.

1 Claim, 6 Drawing Sheets

(56) **References Cited**

U.S. PATENT DOCUMENTS

- D218,487 S * 8/1970 Flores 141/331
- D230,629 S * 3/1974 Camp et al. D7/414
- 4,245,666 A * 1/1981 Norris E04D 13/00
137/357
- D282,807 S * 3/1986 Hasse D7/700
- D340,460 S * 10/1993 Pollak D15/150
- D340,731 S * 10/1993 Pollak D15/150
- 6,098,678 A * 8/2000 Shears B67C 11/02
141/331
- 6,142,193 A * 11/2000 Sanders B65B 39/04
141/300



(56)

References Cited

U.S. PATENT DOCUMENTS

8,631,841	B1 *	1/2014	Levy	B67C 11/02	141/333
D716,908	S *	11/2014	Alesi	D23/200	
D726,903	S *	4/2015	Beyers	D24/122	
D734,794	S *	7/2015	Doran	D15/150	
D762,255	S *	7/2016	Levy	D15/150	
D778,970	S *	2/2017	Levy	D15/150	
2010/0108191	A1 *	5/2010	Ernst	B67C 11/02	141/331

* cited by examiner

FIG. 1

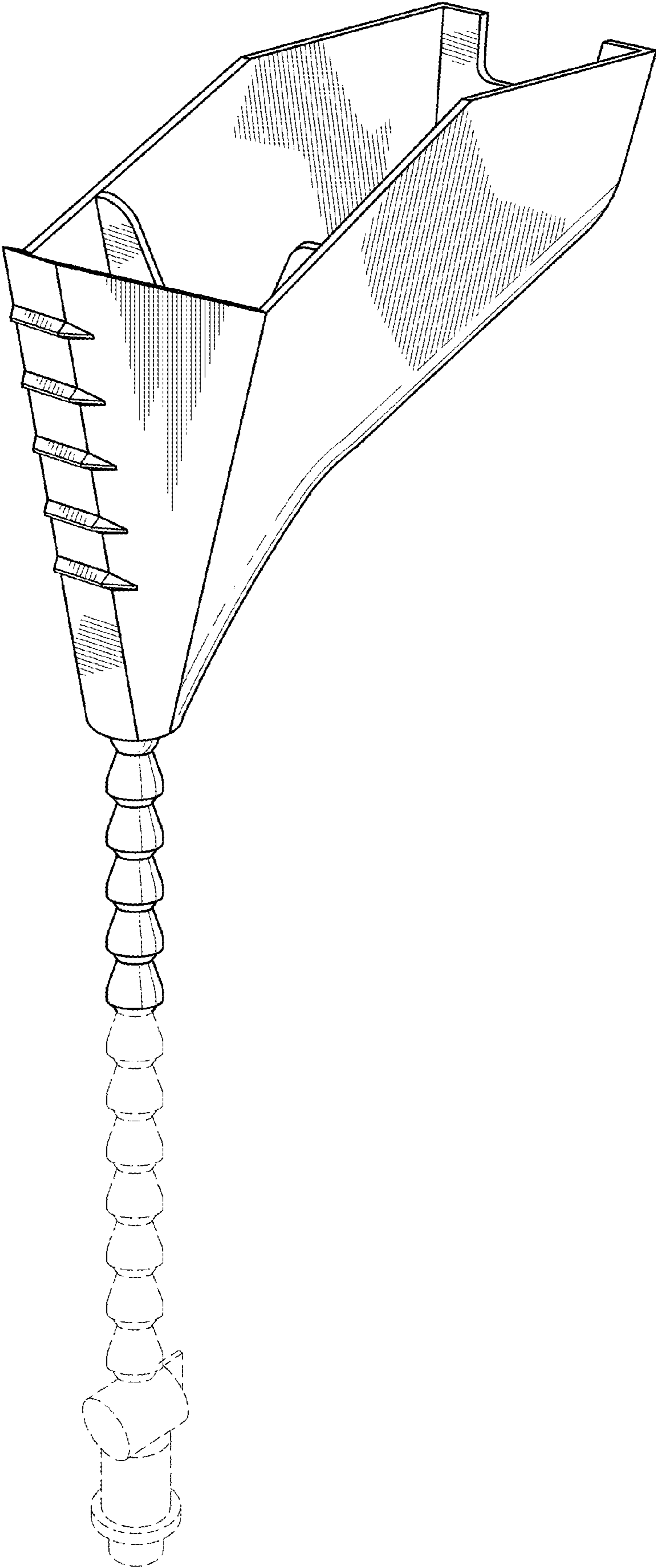
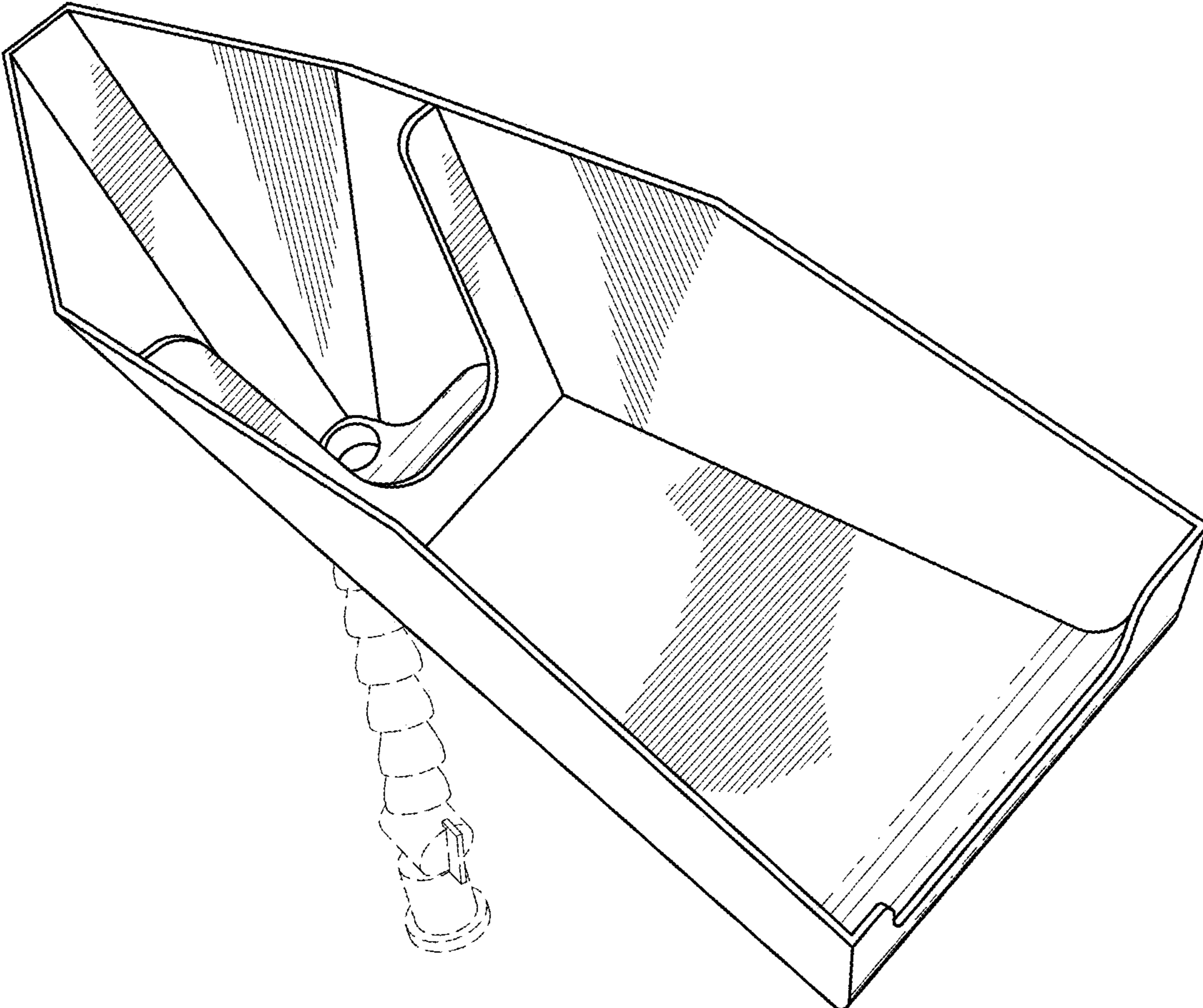


FIG. 2



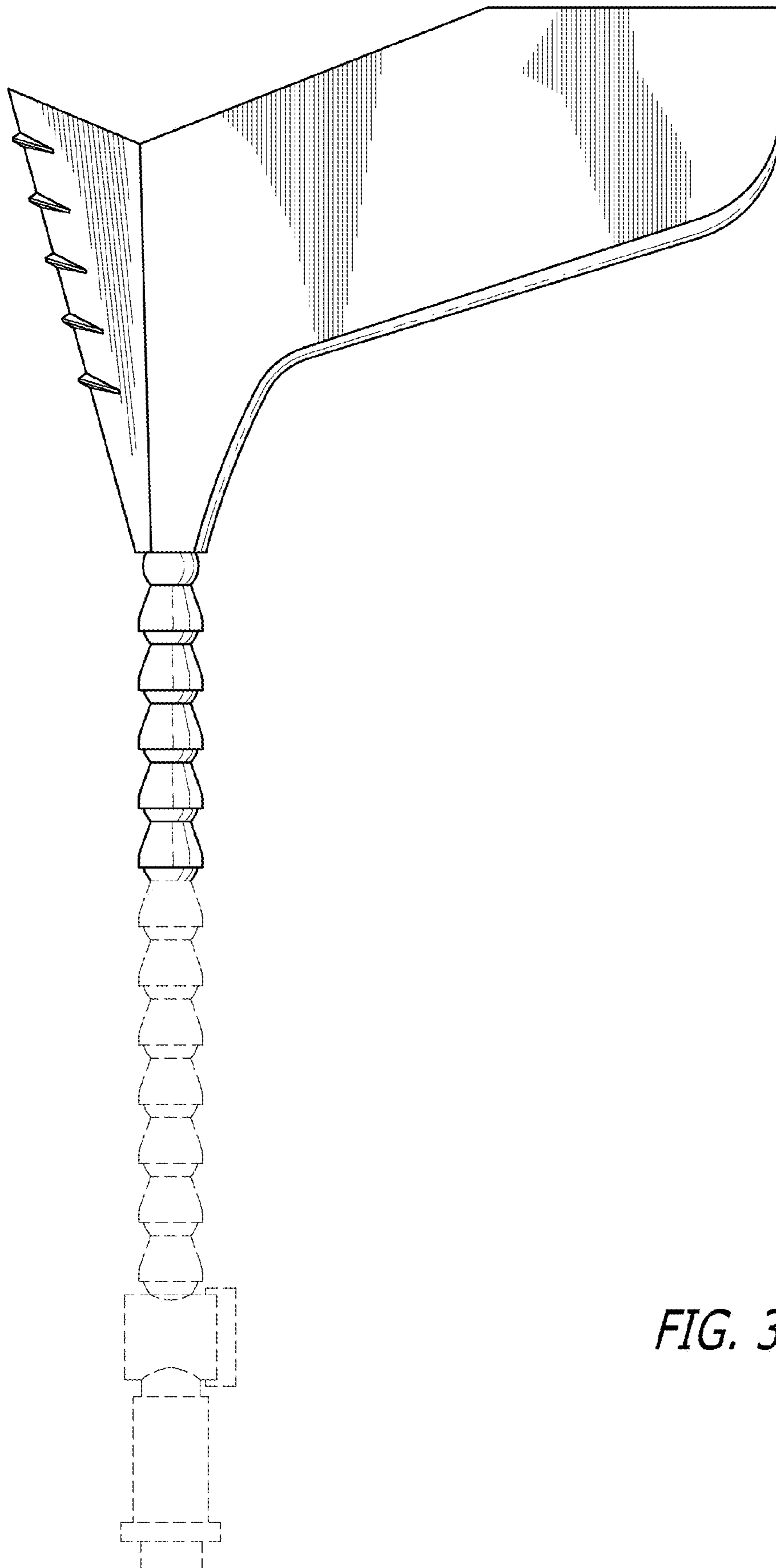


FIG. 3

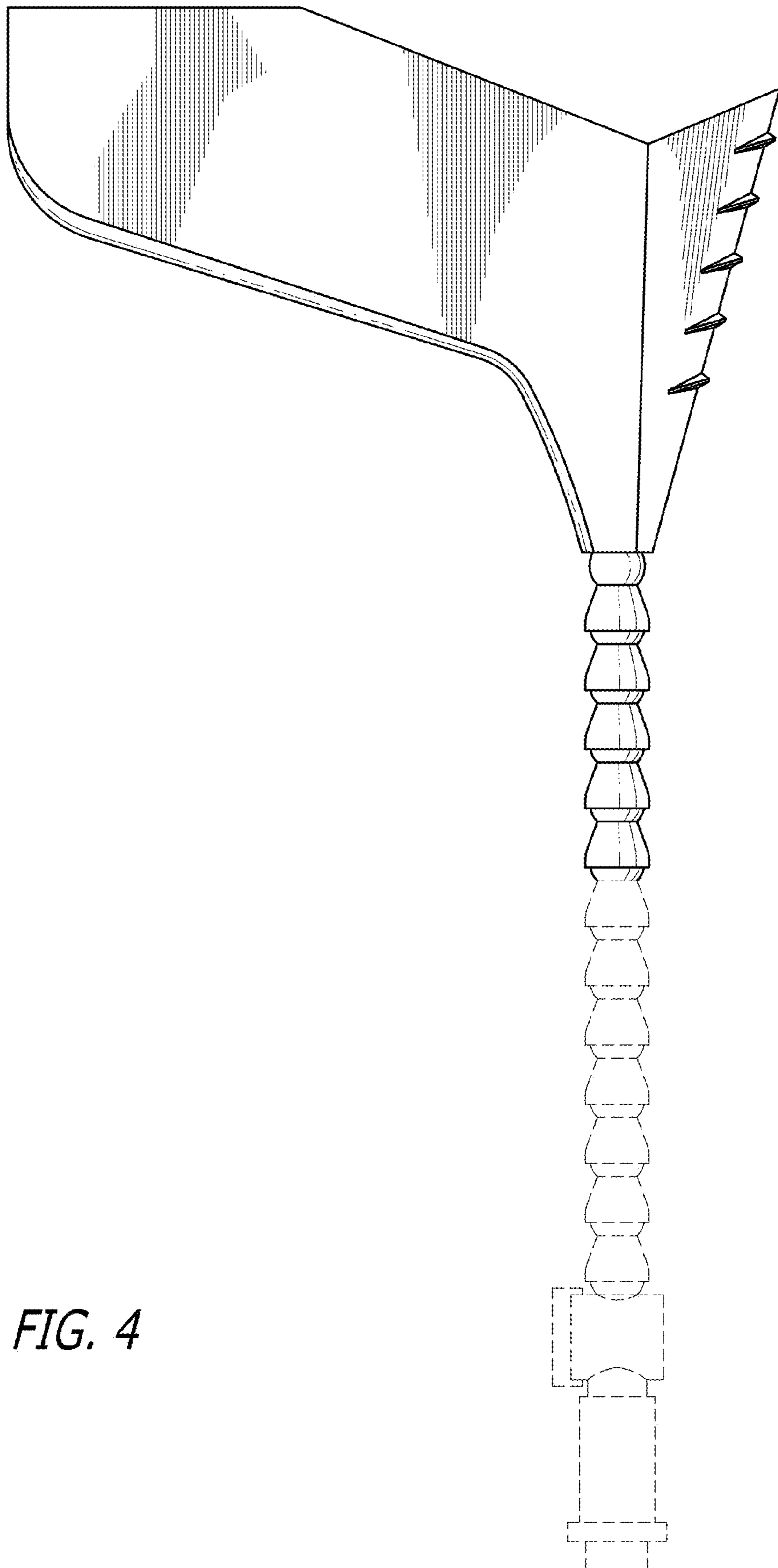


FIG. 4

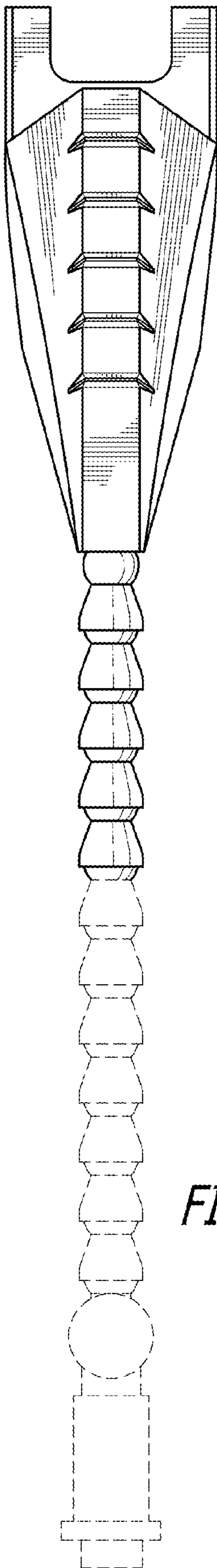


FIG. 5

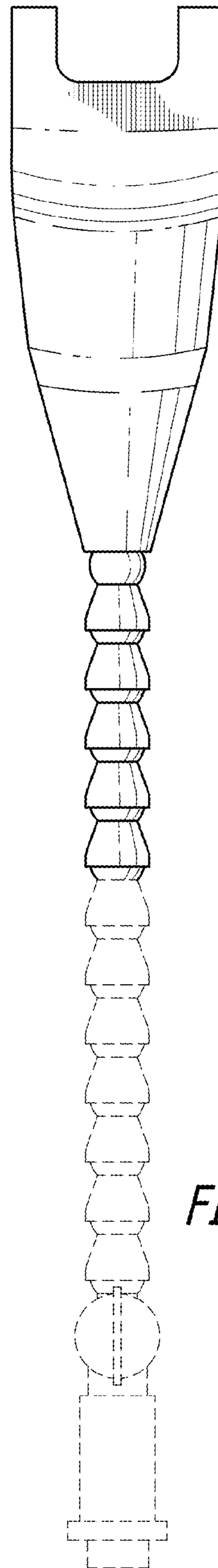


FIG. 6

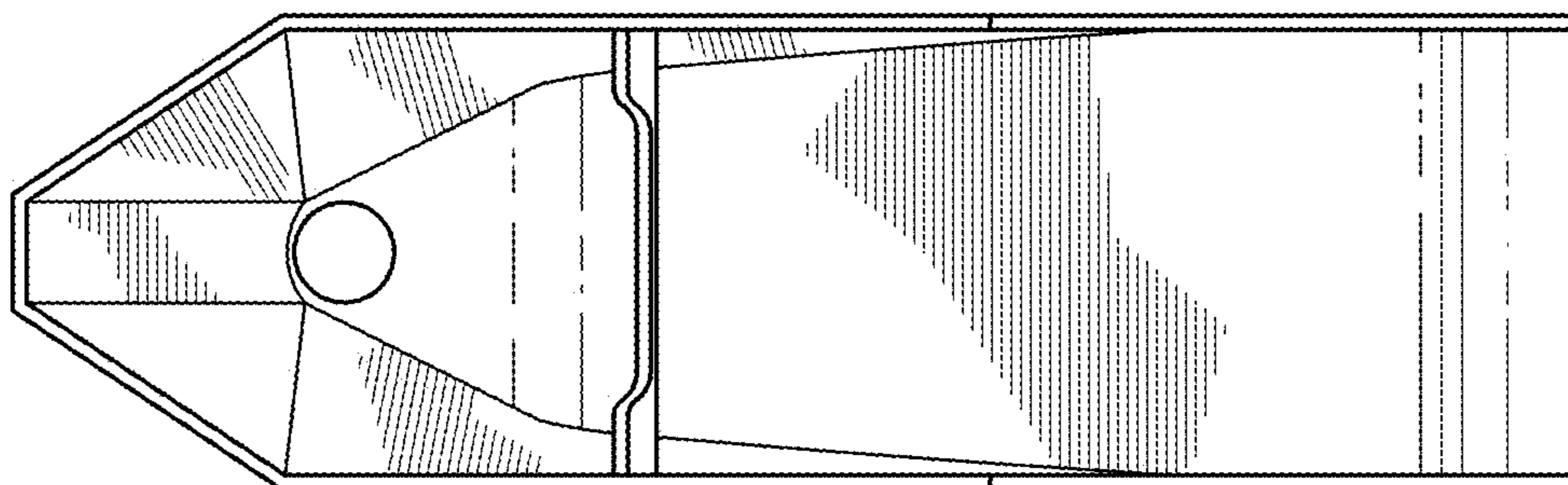


FIG. 7

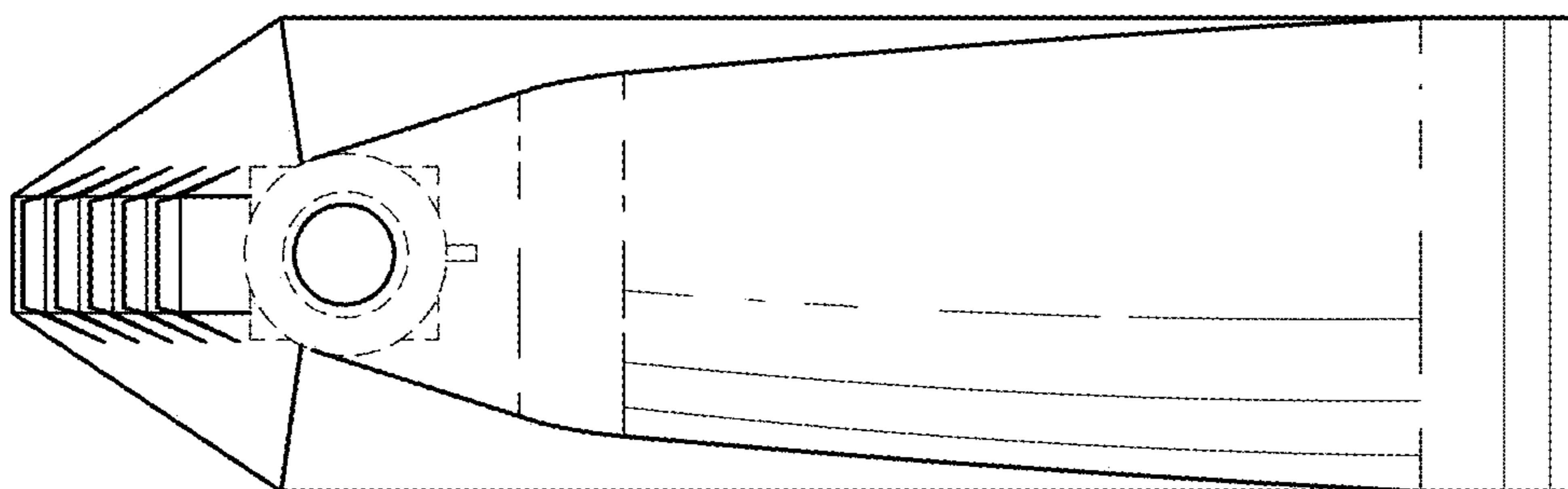


FIG. 8