



US00D868861S

(12) **United States Design Patent** (10) **Patent No.:** **US D868,861 S**
Baer et al. (45) **Date of Patent:** **** Dec. 3, 2019**

- (54) **BARRIER OPERATOR**
- (71) Applicant: **The Chamberlain Group, Inc.**, Oak Brook, IL (US)
- (72) Inventors: **Matthew James Baer**, Forest Park, IL (US); **Ioannis A. Zigras**, Mokena, IL (US)
- (73) Assignee: **The Chamberlain Group, Inc.**, Oak Brook, IL (US)
- (**) Term: **15 Years**
- (21) Appl. No.: **29/597,263**
- (22) Filed: **Mar. 15, 2017**
- (51) **LOC (12) Cl.** **15-09**
- (52) **U.S. Cl.**
 USPC **D15/148**; D15/199; D13/168
- (58) **Field of Classification Search**
 USPC D13/168, 184, 199; D14/218; D15/148, D15/199; D10/104.1
 CPC E05F 15/43; E05F 15/60; E05F 15/668; E05F 15/68; G07C 9/00896; H05K 5/0221
- See application file for complete search history.

(56) **References Cited**
 U.S. PATENT DOCUMENTS

D221,226 S	7/1971	Dercoli
D221,859 S	9/1971	Dercoli
4,463,292 A	7/1984	Engelmann
D292,792 S	11/1987	Henry
4,827,667 A	5/1989	Jarvis
D335,875 S	5/1993	Chen
5,357,183 A	10/1994	Lin
D377,459 S	1/1997	Dziersk
D386,163 S	11/1997	Cheng
D402,300 S	12/1998	Ergun
D404,746 S	1/1999	Hormann

5,903,226 A	5/1999	Suman
D413,055 S	8/1999	Mullet
D421,031 S	2/2000	Mullet
D432,551 S	10/2000	Luke
D434,054 S	11/2000	Luke
D434,785 S	12/2000	Wilfried
D436,877 S	1/2001	Brennan
D440,043 S	4/2001	Miller
D450,701 S	11/2001	Koeller
6,374,543 B1	4/2002	Bishai
6,377,173 B1	4/2002	Desai
D463,466 S	9/2002	Hoemann
D466,141 S	11/2002	Mullet
D468,756 S	1/2003	Coullahan
D469,114 S	1/2003	Coullahan
D469,115 S	1/2003	Coullahan
6,525,645 B2	2/2003	King
6,563,278 B2	5/2003	Roman
D477,619 S	7/2003	Coullahan
6,595,569 B1	7/2003	McKinney

(Continued)

Primary Examiner — Selina Sikder

(74) *Attorney, Agent, or Firm* — Fitch, Even, Tabin & Flannery LLP

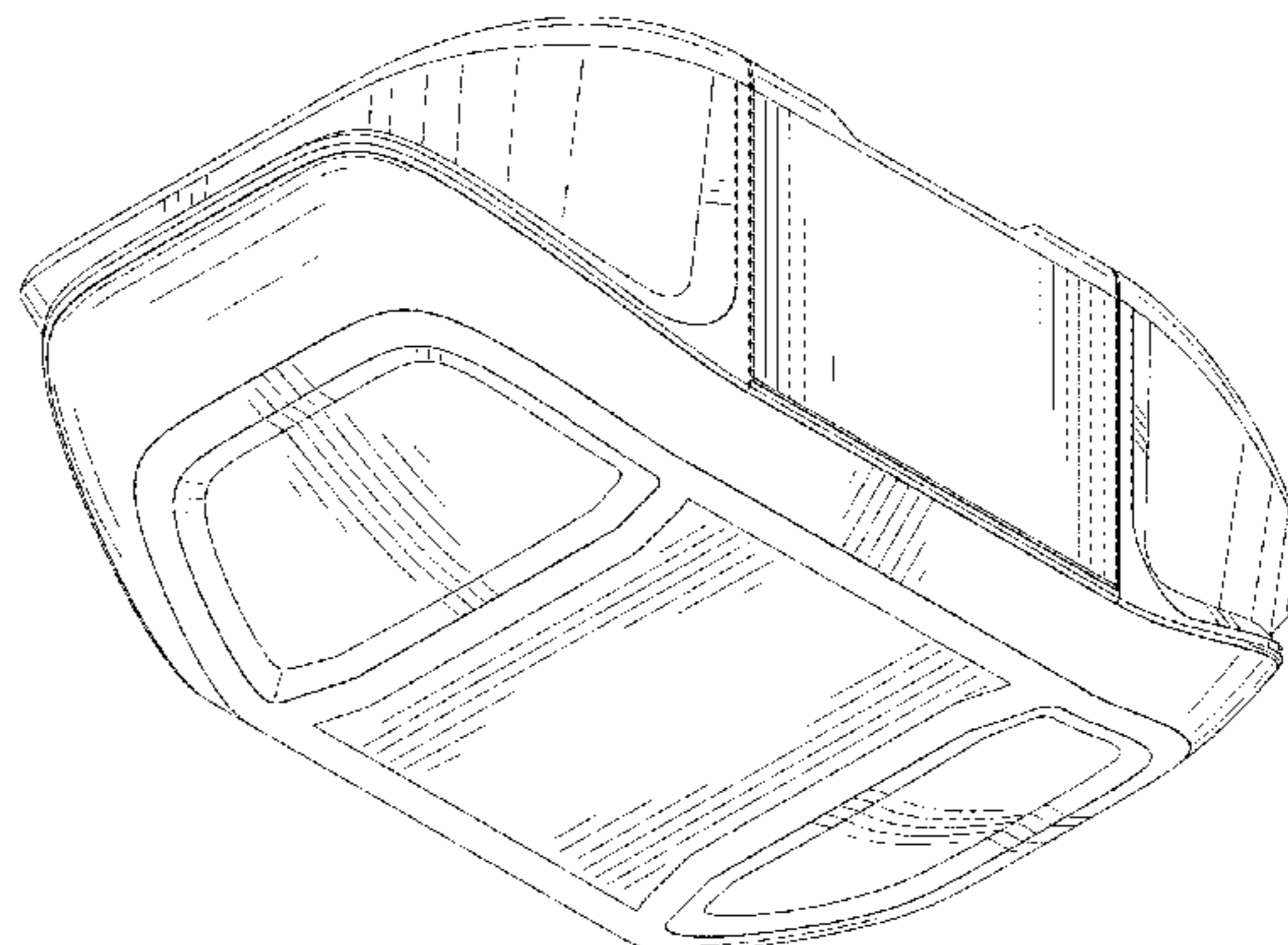
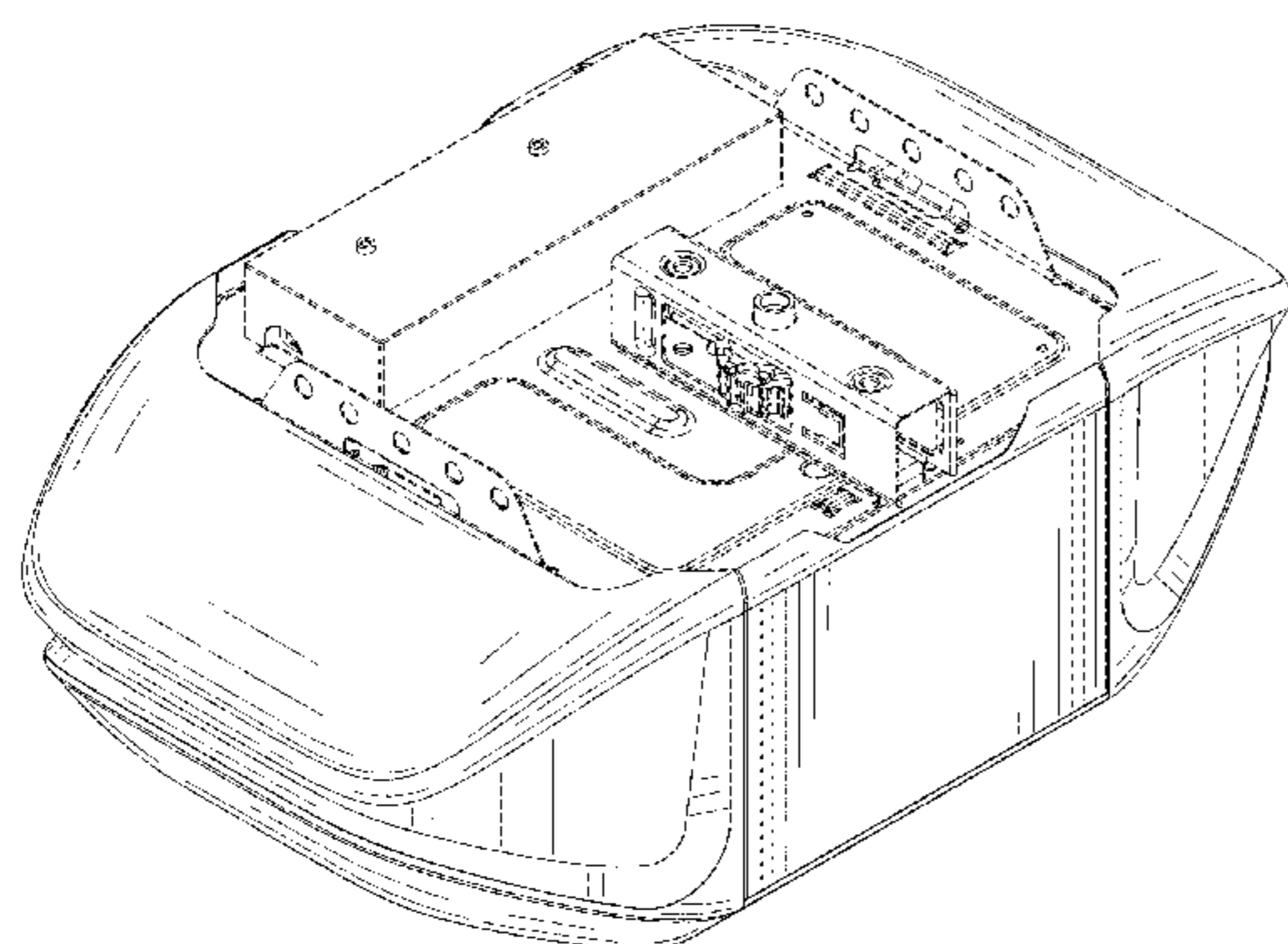
(57) **CLAIM**

We claim the ornamental design for a barrier operator, as shown and described.

DESCRIPTION

FIG. 1 is a top perspective view of the barrier operator in accordance with an embodiment of our new design; FIG. 2 is a bottom perspective view thereof; FIG. 3 is a front elevation view thereof; FIG. 4 is a rear elevation view thereof; FIG. 5 is a top plan view thereof; FIG. 6 is a bottom plan thereof; FIG. 7 is a left-side elevation view thereof; and, FIG. 8 is a right-side elevation view thereof. The broken lines in the drawings depict portions of the barrier operator that form no part of the claimed design.

1 Claim, 7 Drawing Sheets



(56)

References Cited

U.S. PATENT DOCUMENTS

D478,605 S	8/2003	Guzman		8,976,006 B2	3/2015	Krupke	
D486,841 S	2/2004	Reedy		D741,817 S	10/2015	Paredes	
D488,138 S	4/2004	Parsadayan		D741,818 S	10/2015	Paredes	
D490,829 S	6/2004	Coullahan		D742,766 S *	11/2015	Olivieri	D10/65
D491,208 S	6/2004	Coullahan		D750,575 S	3/2016	Peterson	
D492,333 S	6/2004	Guzman		D778,184 S *	2/2017	Kikstra	D10/106.6
D493,149 S	7/2004	Patton		D797,584 S *	9/2017	Venth	D10/65
D493,477 S	7/2004	Reedy		2004/0020612 A1	2/2004	Bosio	
D495,665 S	9/2004	Stekelenburg		2004/0246721 A1*	12/2004	Hoermann	F21V 33/006 362/253
D497,880 S	11/2004	Apotheloz		2005/0254194 A1*	11/2005	Olmsted	E05F 15/668 361/115
D500,066 S	12/2004	Coullahan		2006/0265956 A1	11/2006	Angiuli	
D500,747 S	1/2005	Gavel		2007/0013477 A1	1/2007	Fitzgibbon	
D501,643 S *	2/2005	Strand	D10/104.1	2007/0046231 A1	3/2007	Mullet	
D506,485 S	6/2005	Guzman		2007/0188120 A1	8/2007	Mullet	
D509,481 S	9/2005	Murtaugh		2007/0294961 A1	12/2007	Reed	
D513,022 S	12/2005	Moe		2010/0242369 A1	9/2010	Laird	
D514,461 S *	2/2006	Harju	D10/104.1	2013/0027181 A1	1/2013	King	
D519,138 S	4/2006	Guzman		2013/0038183 A1*	2/2013	Chen	E05F 15/668 310/75 R
D542,235 S	5/2007	Rashid		2014/0320263 A1	10/2014	Fan	
7,215,238 B2	5/2007	Buck		2014/0368322 A1	12/2014	Mullet	
7,378,760 B2*	5/2008	Olmsted	E05F 15/668 307/115	2015/0275564 A1*	10/2015	Rosenthal	E05F 15/77 700/275
D581,437 S	11/2008	Randazzo		2017/0295658 A1*	10/2017	Whitmire	H05K 5/0247
D589,906 S	4/2009	Tupinier					
D667,381 S	9/2012	Rolli					

* cited by examiner

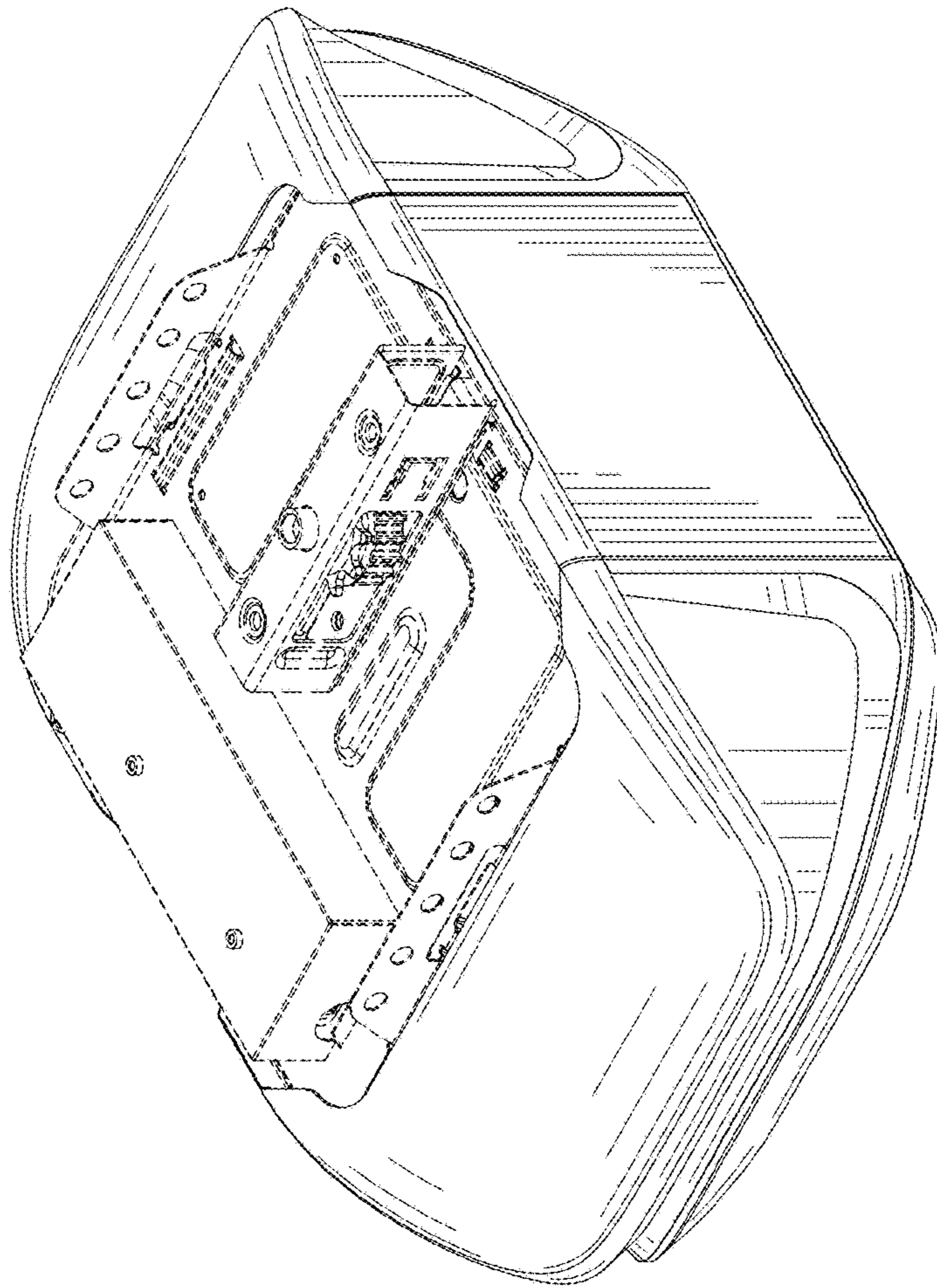


FIG. 1

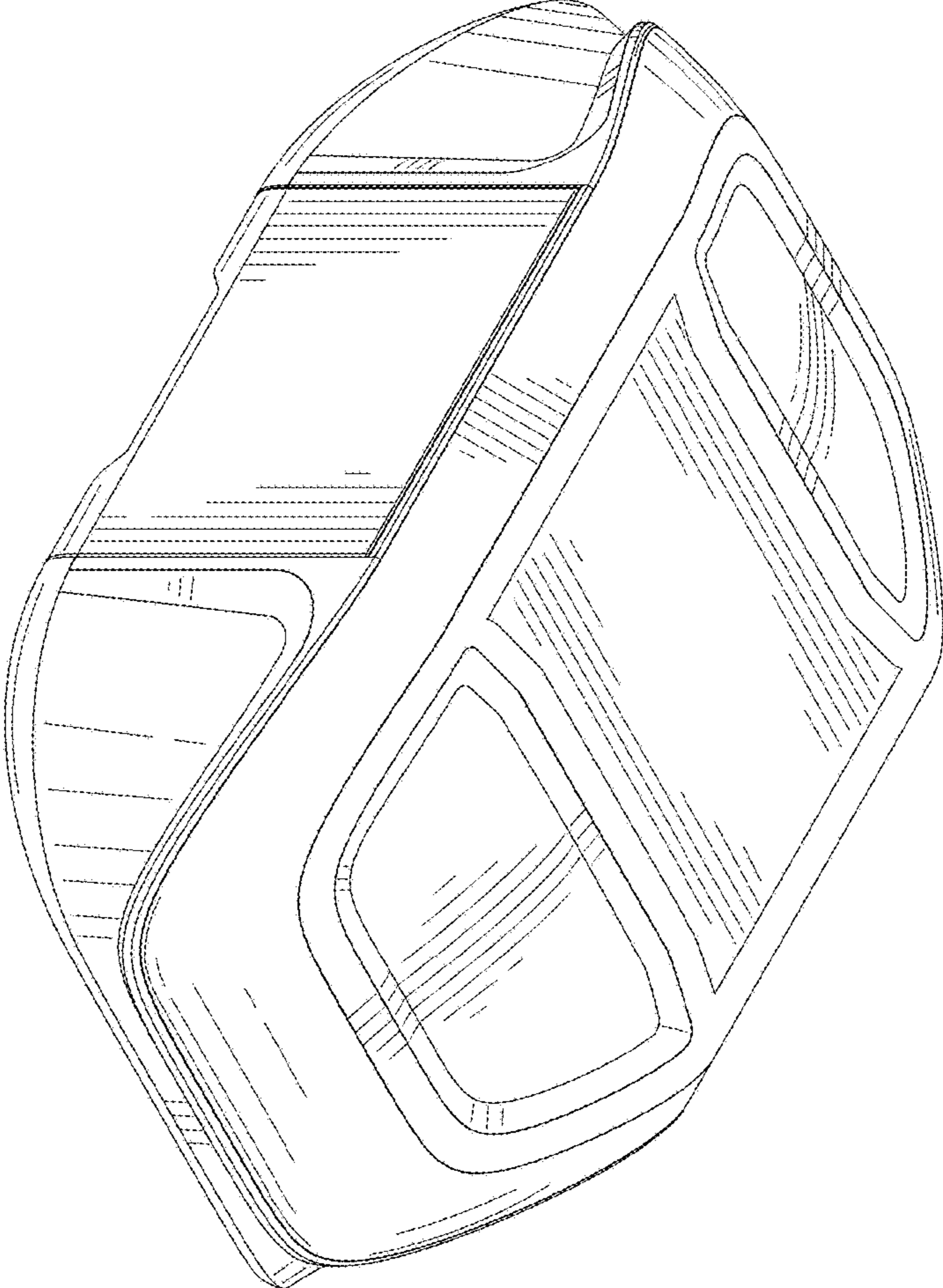


FIG. 2

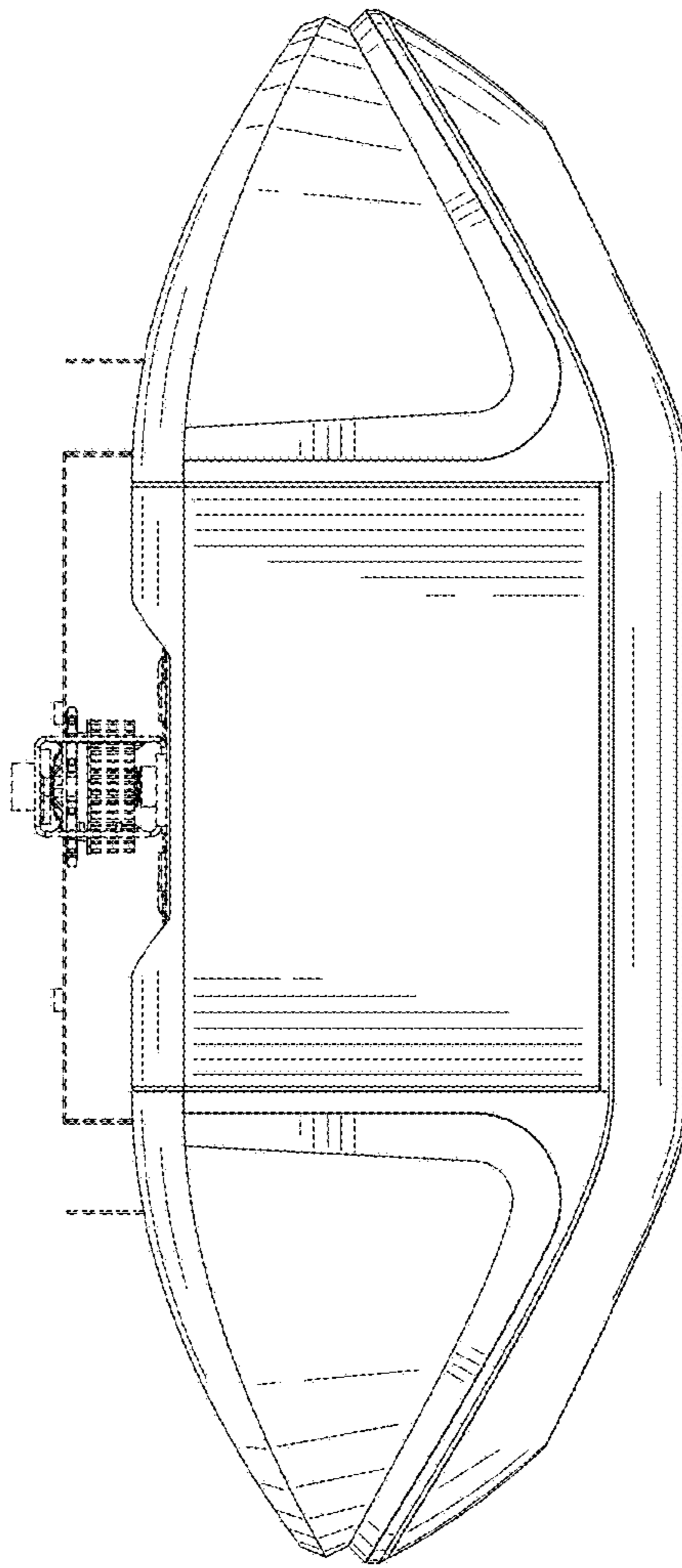


FIG. 3

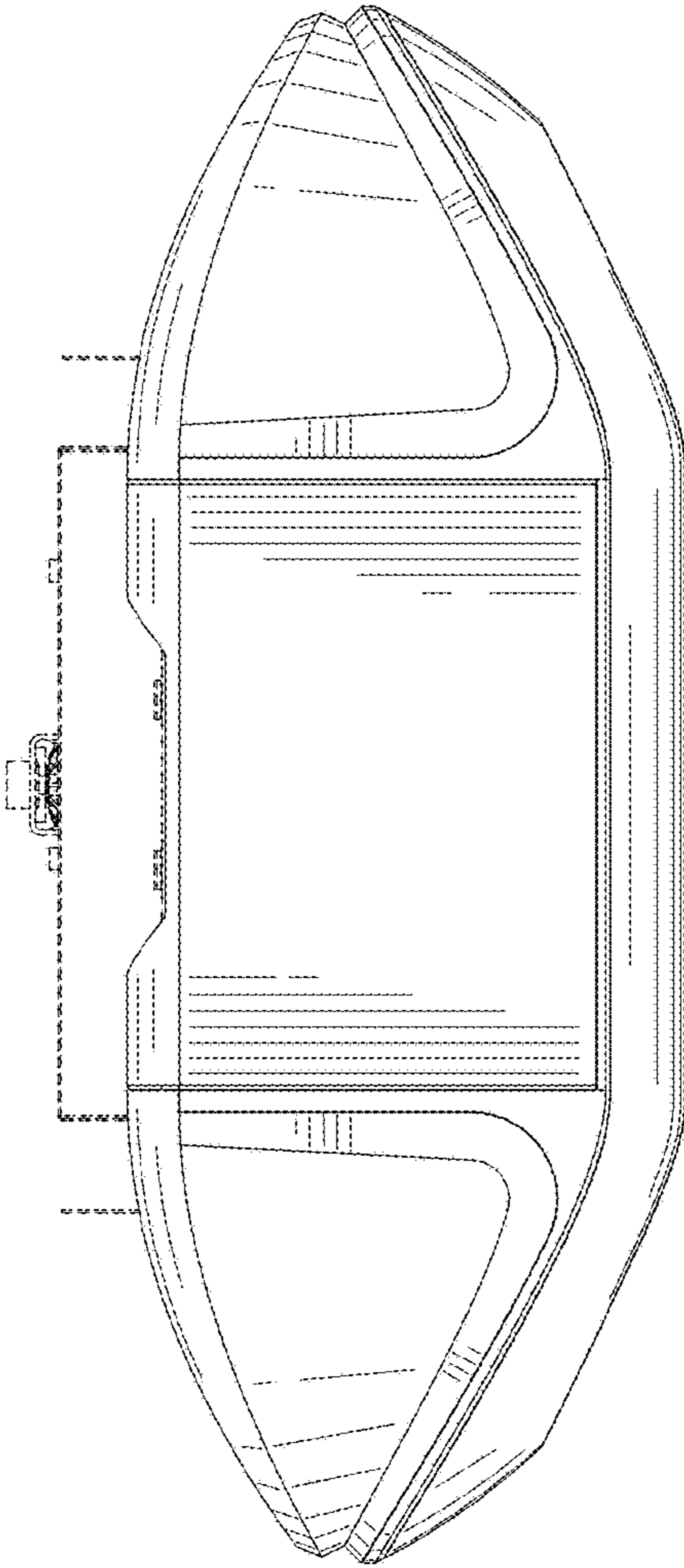


FIG. 4

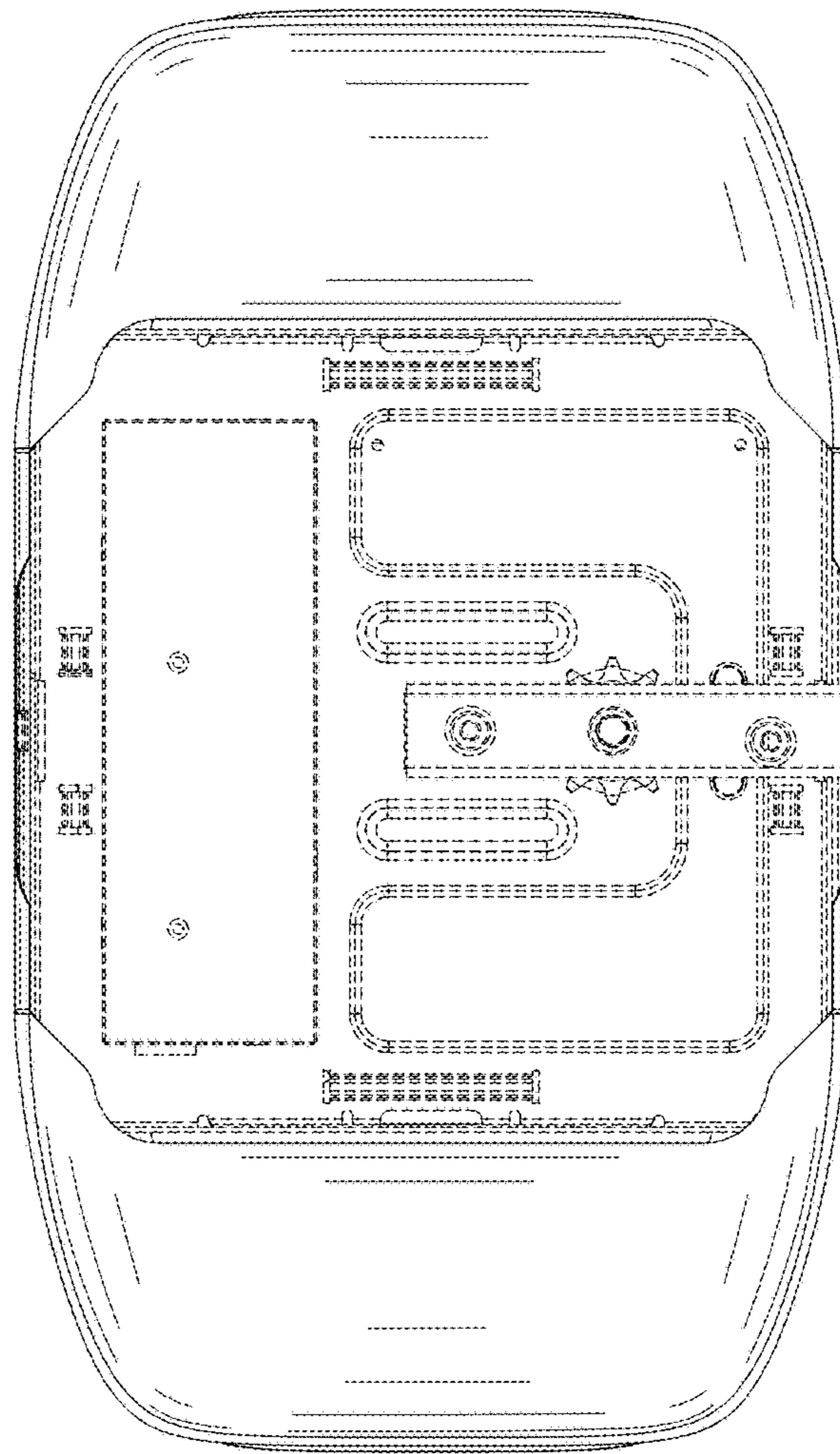


FIG. 5

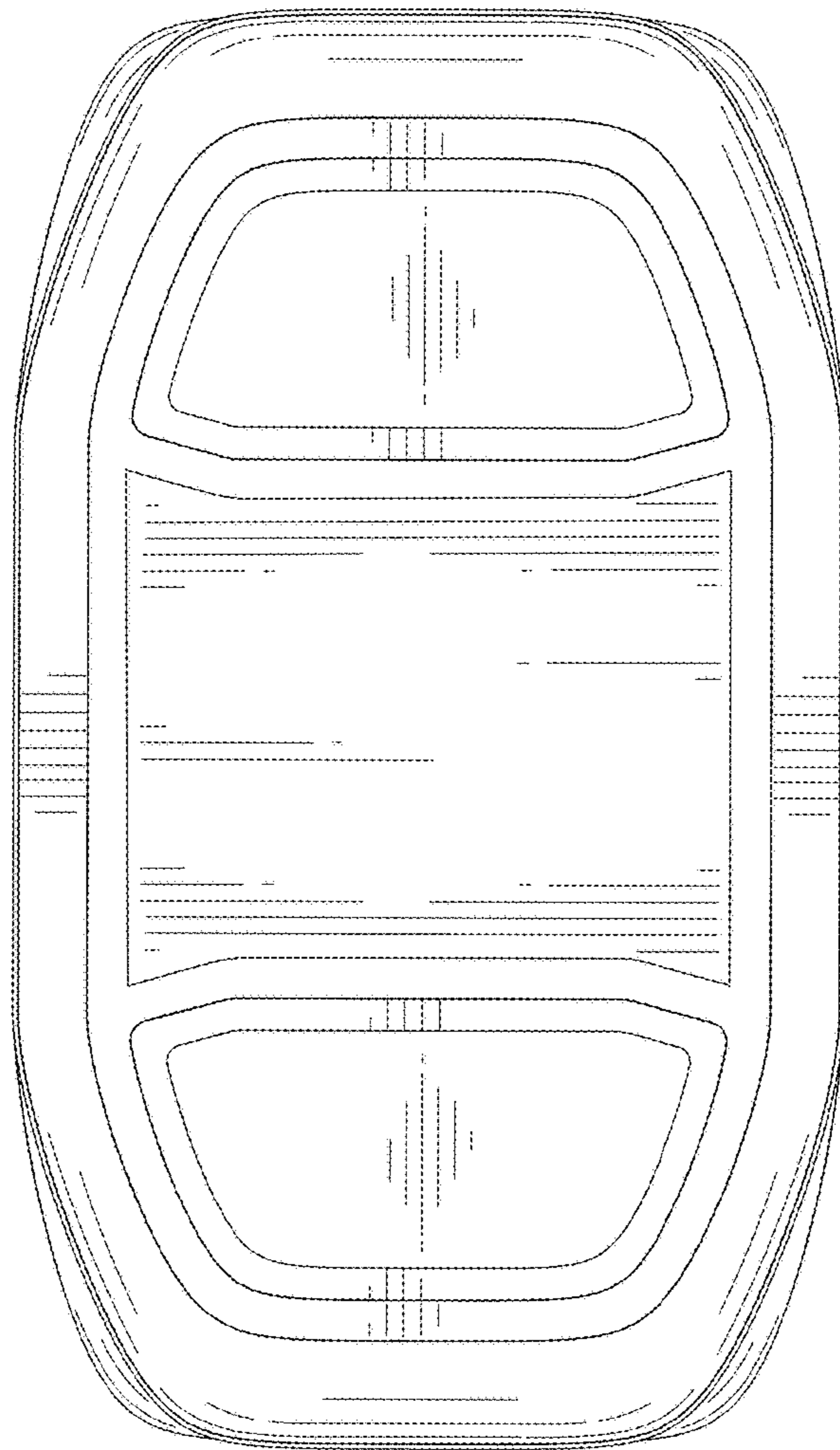


FIG. 6

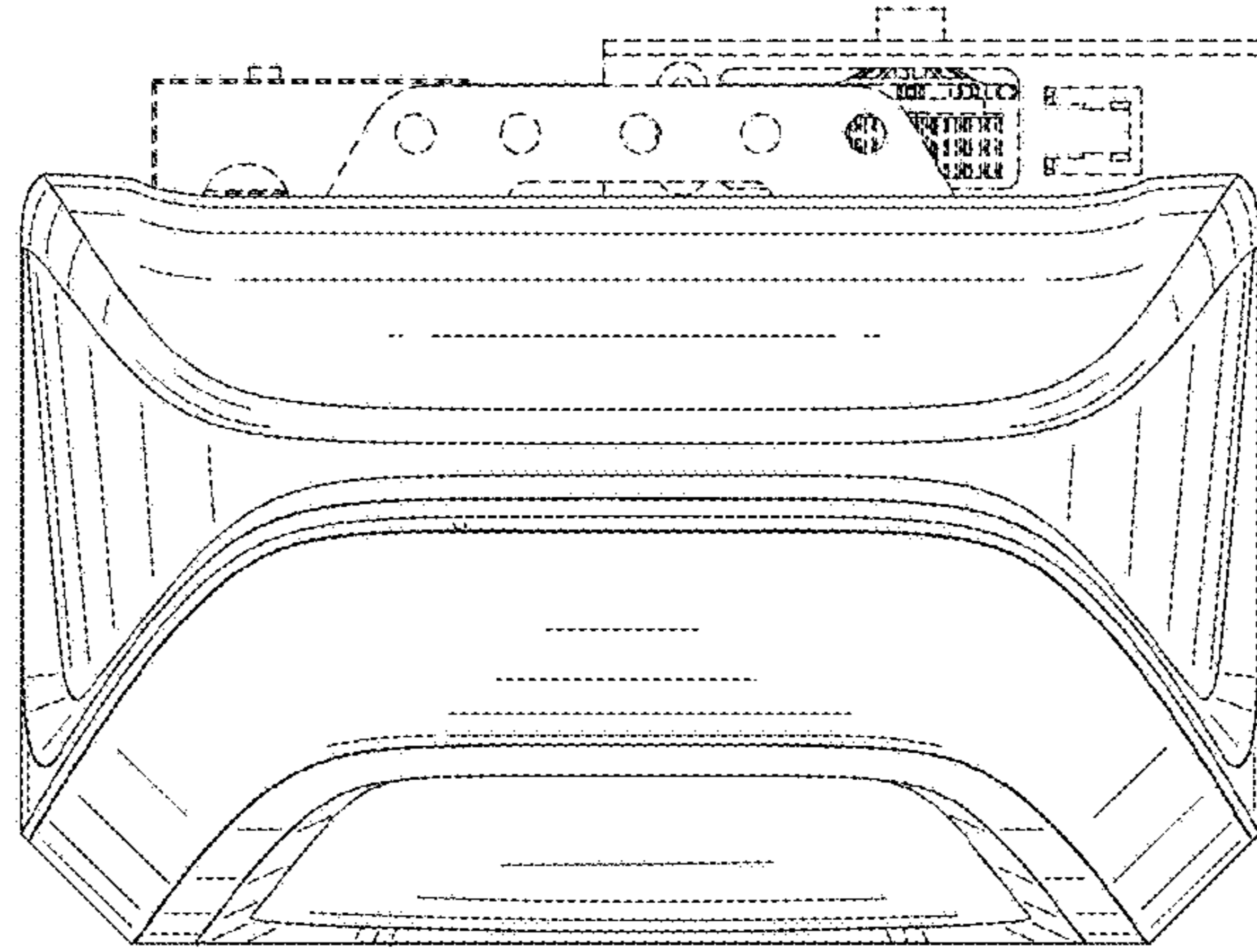


FIG. 7

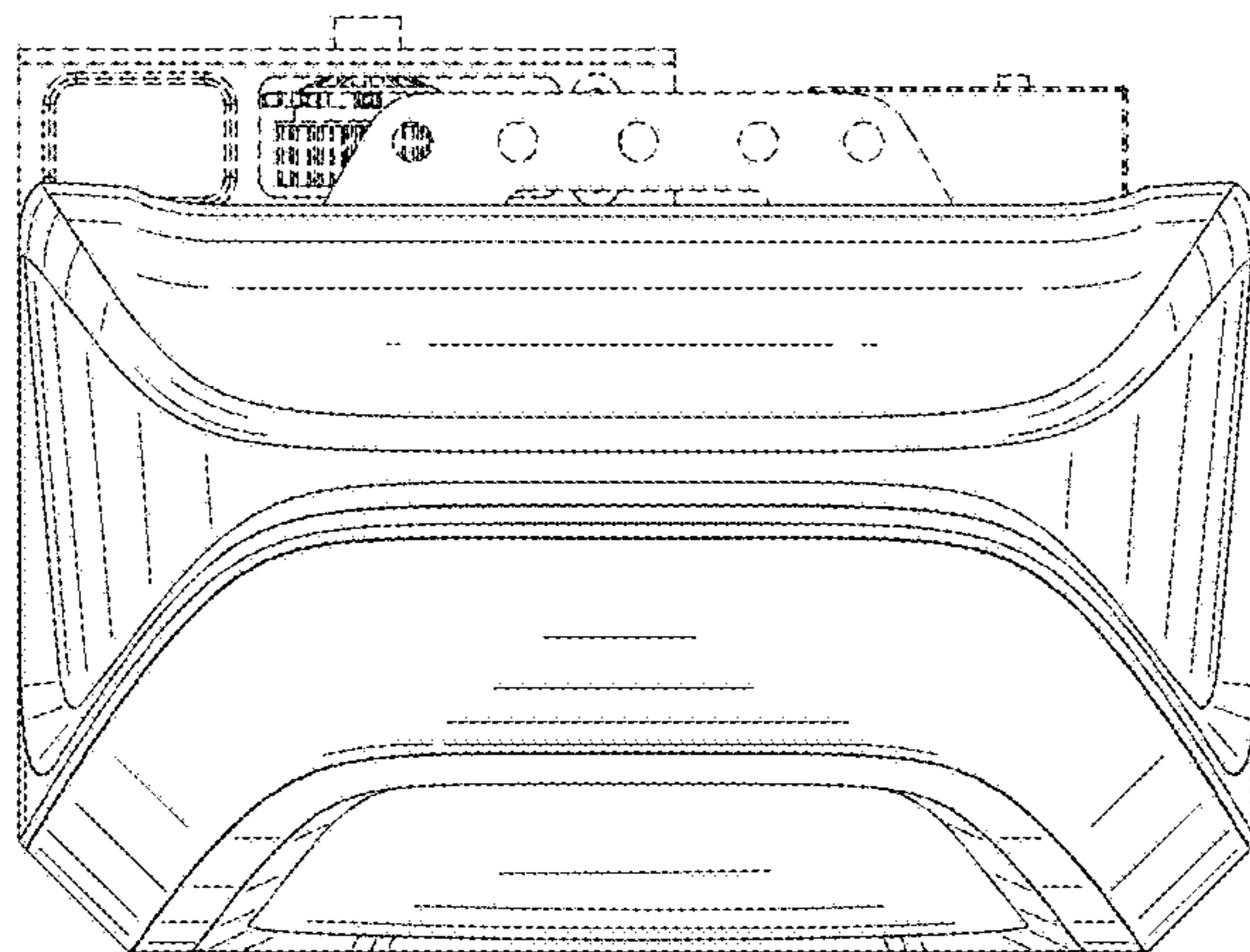


FIG. 8