



US00D868858S

(12) **United States Design Patent**
Buehring et al.

(10) **Patent No.:** **US D868,858 S**

(45) **Date of Patent:** **** Dec. 3, 2019**

(54) **SIDE PANEL FOR HIGH CAPACITY DISPENSING UNIT**

(71) Applicants: **Baron Buehring**, Gurnee, IL (US);
Daniel Salinas, Jr., Gurnee, IL (US)

(72) Inventors: **Baron Buehring**, Gurnee, IL (US);
Daniel Salinas, Jr., Gurnee, IL (US)

(**) Term: **15 Years**

(21) Appl. No.: **29/650,923**

(22) Filed: **Jun. 11, 2018**

(51) **LOC (12) Cl.** **15-09**

(52) **U.S. Cl.**
USPC **D15/145**

(58) **Field of Classification Search**
USPC D8/349, 354, 382; D15/122, 138, 145,
D15/146, 199
CPC B65B 11/04; B65B 25/24; B65B 51/10;
G16H 20/13
See application file for complete search history.

(56) **References Cited**

U.S. PATENT DOCUMENTS

D248,274 S *	6/1978	Kingston	D8/354
5,282,347 A *	2/1994	Cleine	B65B 25/24
				53/204
5,447,014 A *	9/1995	Adams	B65B 19/226
				53/463
5,755,083 A *	5/1998	Cleine	B65B 11/04
				53/204
D434,304 S *	11/2000	Willett	D8/354
D434,639 S *	12/2000	Willett	D8/354
6,192,653 B1 *	2/2001	Maekawa	B65B 11/04
				53/204
6,305,145 B2 *	10/2001	Suolahti	B65B 25/24
				53/64
6,594,976 B1 *	7/2003	Chikamitsu	B65B 25/14
				100/12

D483,651 S *	12/2003	Sander	D8/349
D598,273 S *	8/2009	Nerskov	D8/354
D684,147 S *	6/2013	Stifal	D14/239
8,650,836 B2	2/2014	Albert et al.		
D787,917 S *	5/2017	Kennelly	D8/354
D841,434 S *	2/2019	Vrame	D8/354

(Continued)

Primary Examiner — Patricia A Palasik

(74) *Attorney, Agent, or Firm* — Lesley A. Wallerstein, LLC

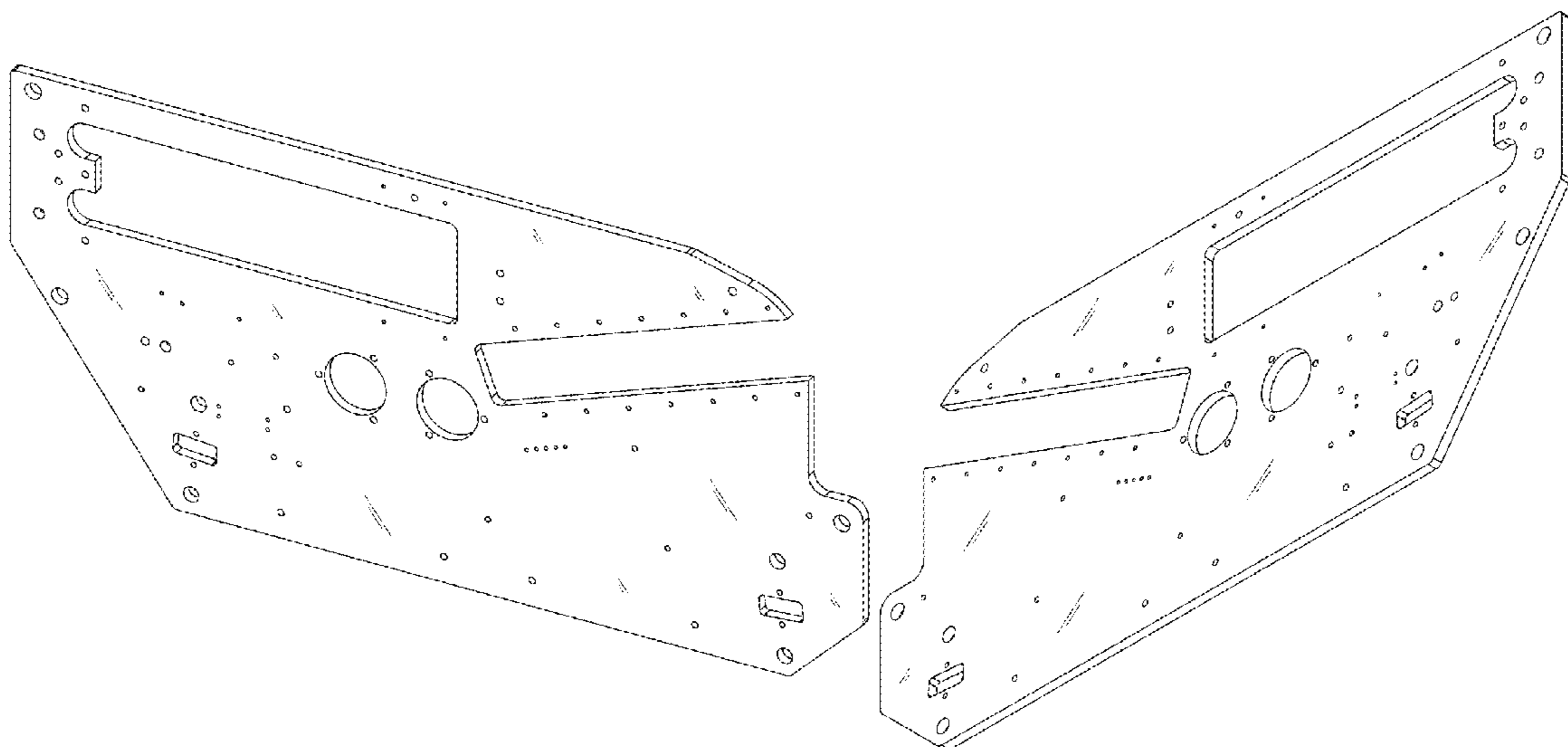
(57) **CLAIM**

The ornamental design for a side panel for high capacity dispensing units, as shown and described.

DESCRIPTION

FIG. 1 is a front perspective view of a side panel for high capacity dispensing units of FIG. 1.
 FIG. 2 is a back perspective view of the side panel for high capacity dispensing units of FIG. 1.
 FIG. 3 is a front view of the sheet of the side panel for high capacity dispensing units of FIG. 1.
 FIG. 4 is a back view of the side panel for high capacity dispensing units of FIG. 1.
 FIG. 5 is a left side view of the side panel for high capacity dispensing units of FIG. 1.
 FIG. 6 is a right side view of the side panel for high capacity dispensing units of FIG. 1.
 FIG. 7 is a top view of the side panel for high capacity dispensing units of FIG. 1.
 FIG. 8 is a bottom view of the side panel for high capacity dispensing units of FIG. 1; and,
 FIG. 9 is a front perspective view of the side panel for high capacity dispensing units of FIG. 1, showing how it is assembled into a high capacity dispensing unit. The parts of the high capacity dispensing unit other than the side panel are drawn in phantom for environmental purposes only and are not claimed as part of this invention.

1 Claim, 5 Drawing Sheets



(56)

References Cited

U.S. PATENT DOCUMENTS

2002/0077056 A1* 6/2002 Abe G07D 9/008
453/33
2003/0116584 A1* 6/2003 Gutierrez B67D 1/0004
222/1
2008/0168643 A1* 7/2008 Albert B65B 11/04
29/402.08
2015/0245563 A1* 9/2015 Heaney A01F 15/071
53/52

* cited by examiner

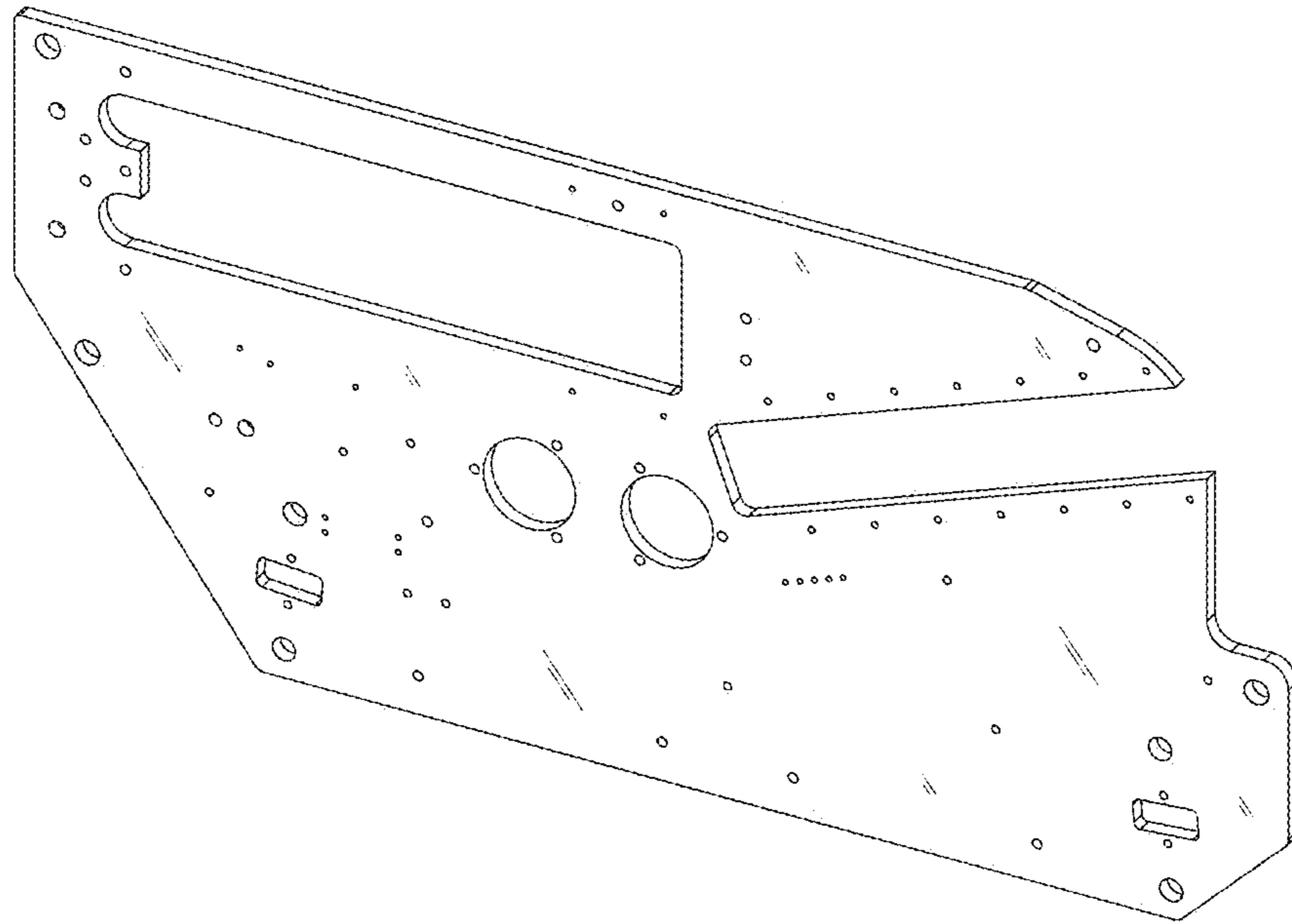


FIG. 1

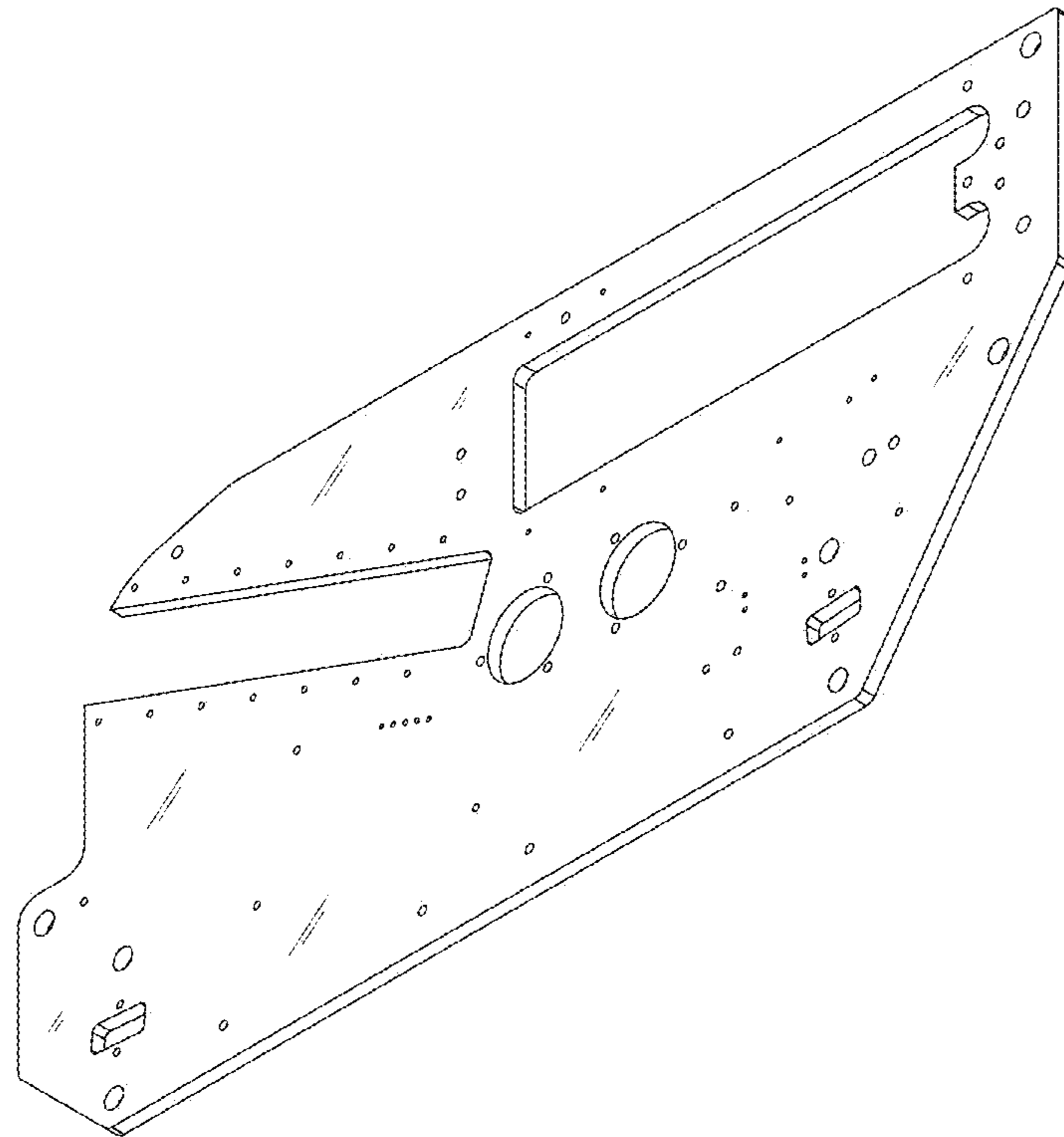


FIG. 2

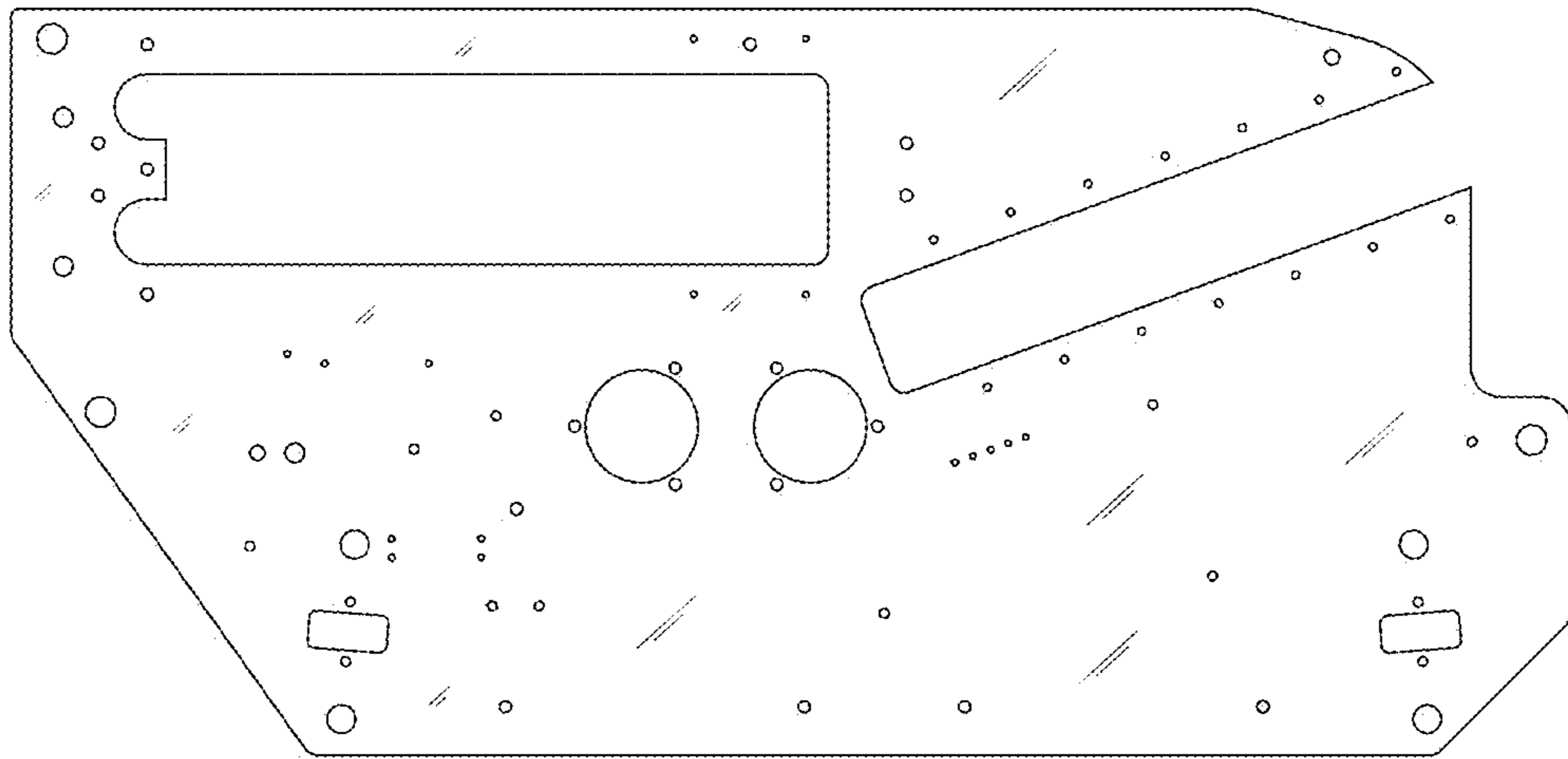


FIG. 3

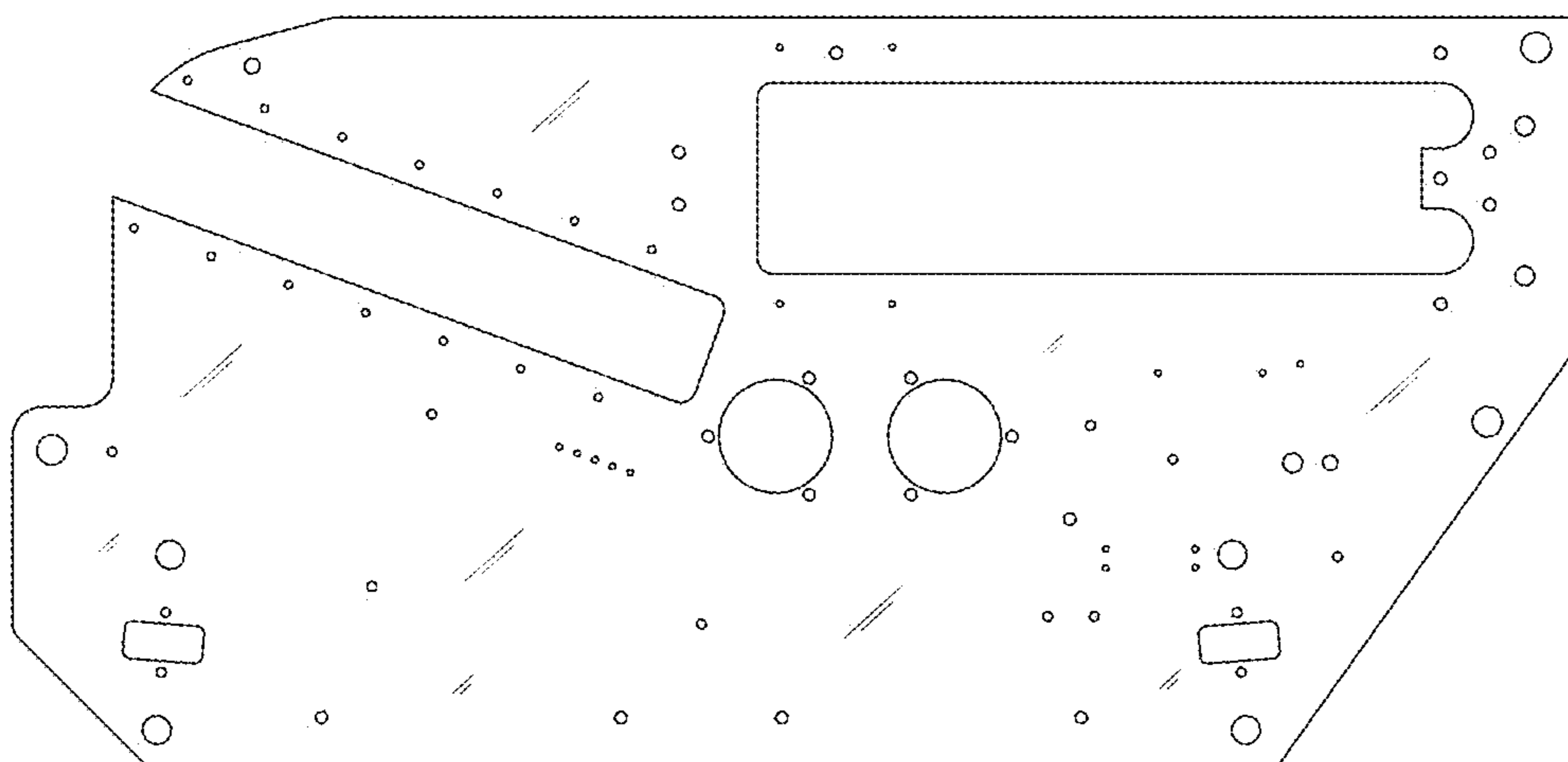


FIG. 4

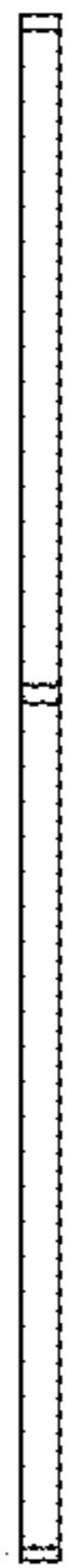


FIG. 5



FIG. 6

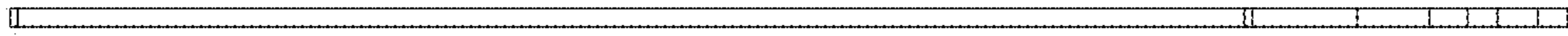


FIG. 7

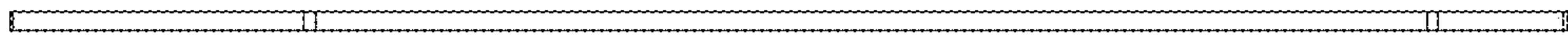


FIG. 8

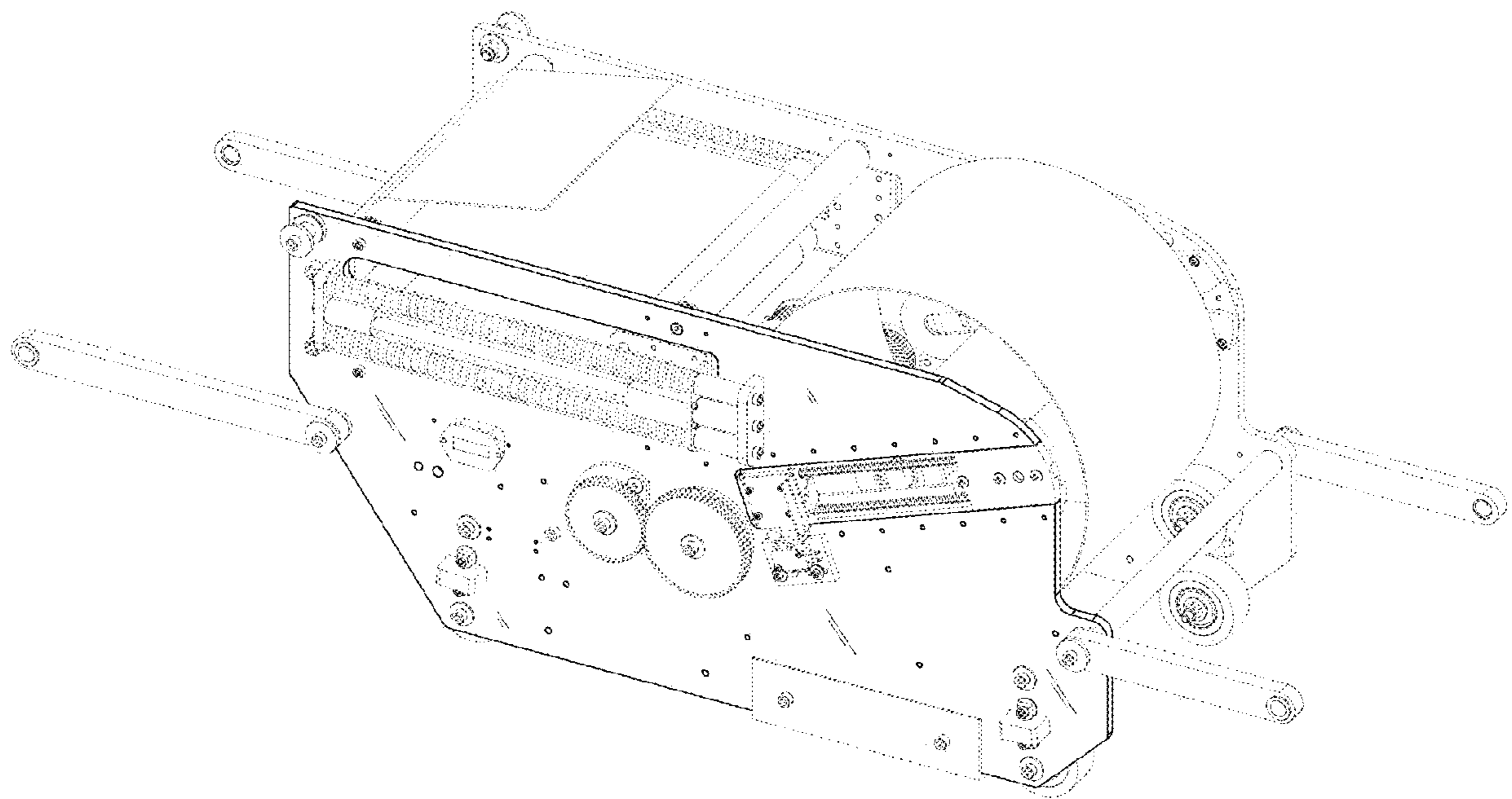


FIG. 9