

US00D868857S

(12) **United States Design Patent** (10) **Patent No.:** **US D868,857 S**
Wu (45) **Date of Patent:** **** Dec. 3, 2019**

- (54) **TORCH**
- (71) Applicant: **Pro-Iroda Industries, Inc.**, Taichung (TW)
- (72) Inventor: **Wei Cheng Wu**, Taichung (TW)
- (73) Assignee: **Pro-Iroda Industries, Inc.**, Taichung (TW)
- (**) Term: **15 Years**
- (21) Appl. No.: **29/664,661**
- (22) Filed: **Sep. 27, 2018**
- (51) **LOC (12) Cl.** **15-09**
- (52) **U.S. Cl.**
USPC **D15/144**
- (58) **Field of Classification Search**
USPC D7/416; D8/29, 29.1, 29.2, 30, 68, 107;
D15/144, 144.1, 144.2; D27/139, 154,
D27/157
CPC B23K 9/0956; B23K 9/10; B23K 9/173;
B23K 9/285; B23K 9/295; B23K 9/32
See application file for complete search history.

(56) **References Cited**
U.S. PATENT DOCUMENTS

D376,302 S	*	12/1996	Tsai	D8/29.1
D413,784 S	*	9/1999	Tsai	D8/107
D414,672 S	*	10/1999	Tsai	D8/107
D456,428 S	*	4/2002	Aronson, II	D15/144
D465,978 S	*	11/2002	Miyanaga	D8/30
D468,482 S	*	1/2003	Lin	D27/157
D477,507 S	*	7/2003	Lin	D8/30
D477,747 S	*	7/2003	Hsu	D7/416
D481,163 S	*	10/2003	Lin	D27/149
D481,598 S	*	11/2003	Lin	D8/29.1
D519,800 S	*	5/2006	Glover	D8/29.1

D578,849 S	*	10/2008	Whited	D8/30
D587,975 S	*	3/2009	Aronson, II	D15/144
D594,300 S	*	6/2009	Picaza Ibarrodo	D8/29.1
D642,889 S	*	8/2011	Boehm	D8/107
D805,567 S	*	12/2017	Kita	D15/144.2
D806,152 S	*	12/2017	Whited	D15/144.2
D809,343 S	*	2/2018	Kotani	D7/416
D820,057 S	*	6/2018	Tsai	D8/30
D820,331 S	*	6/2018	Walters	D15/144
D821,170 S	*	6/2018	Huang	D8/30
D838,301 S	*	1/2019	Prikler	D15/144
D840,032 S	*	2/2019	Clifford	D24/146
D844,405 S	*	4/2019	Shen	D8/29.1
D845,364 S	*	4/2019	Stewart	D15/144
D845,365 S	*	4/2019	Stewart	D15/144
D845,366 S	*	4/2019	Stewart	D15/144

* cited by examiner

Primary Examiner — Garth Rademaker
Assistant Examiner — Fitzgerald L Butac
(74) *Attorney, Agent, or Firm* — Alan D. Kamrath; Mayer & Williams PC

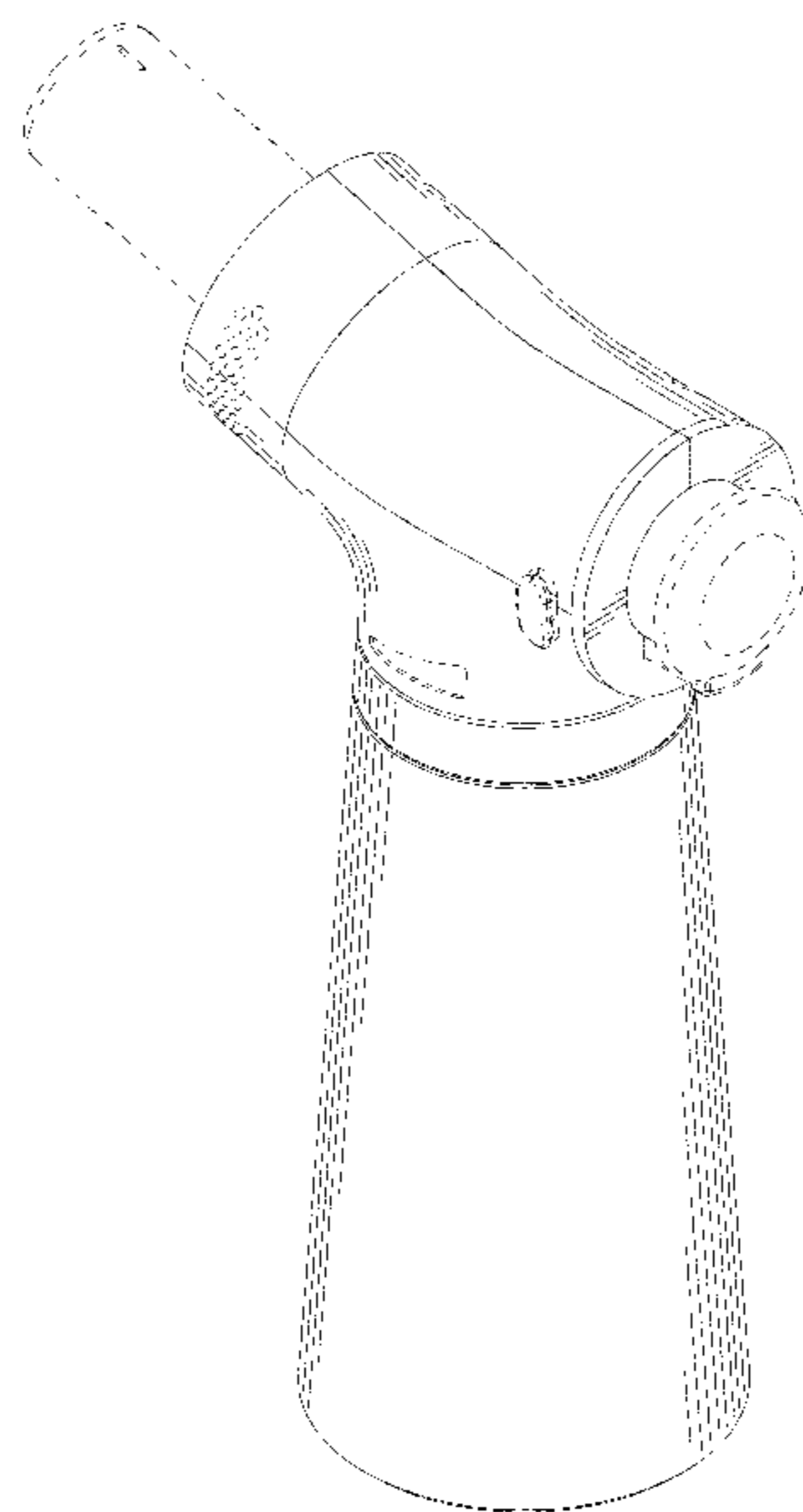
(57) **CLAIM**

The ornamental design for a torch, as shown and described.

DESCRIPTION

FIG. 1 is a perspective view of a torch showing my new design;
FIG. 2 is a front view thereof;
FIG. 3 is a rear view thereof;
FIG. 4 is a left view thereof;
FIG. 5 is a right view thereof;
FIG. 6 is a top view thereof; and,
FIG. 7 is a bottom view thereof.
The broken lines depict portions of the torch in which the design is embodied that are not considered part of the claimed design.

1 Claim, 7 Drawing Sheets



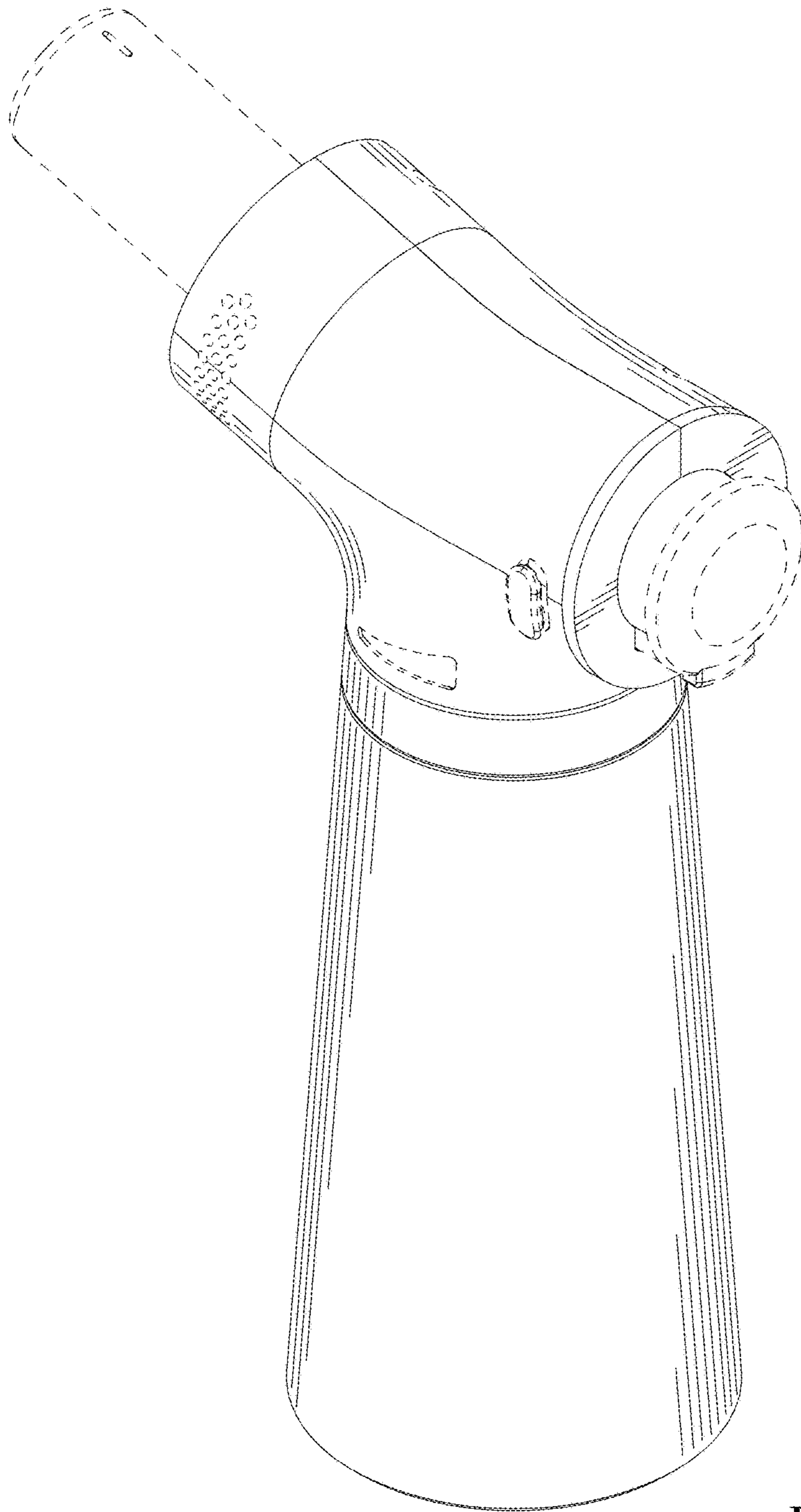


FIG. 1

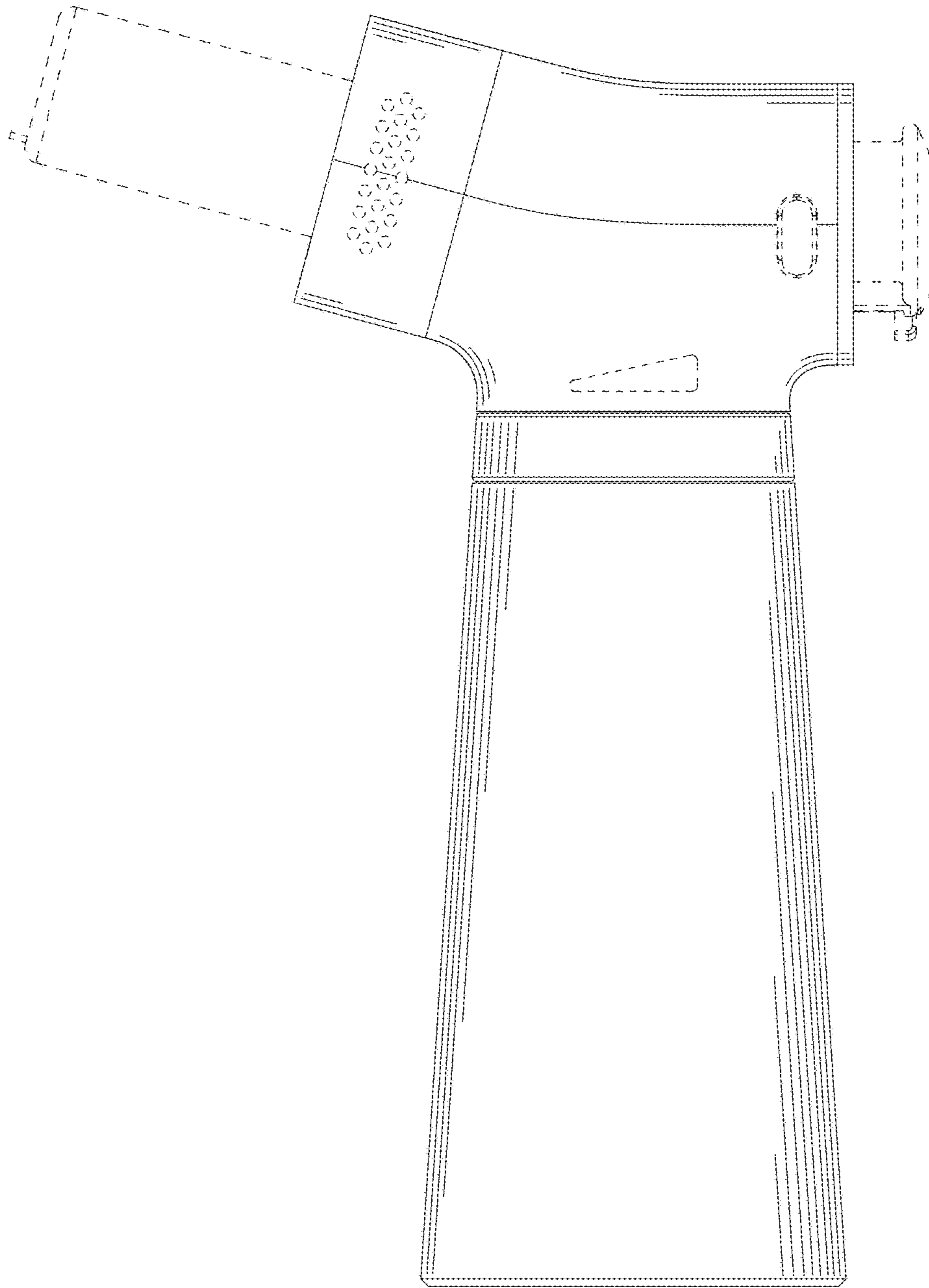


FIG. 2

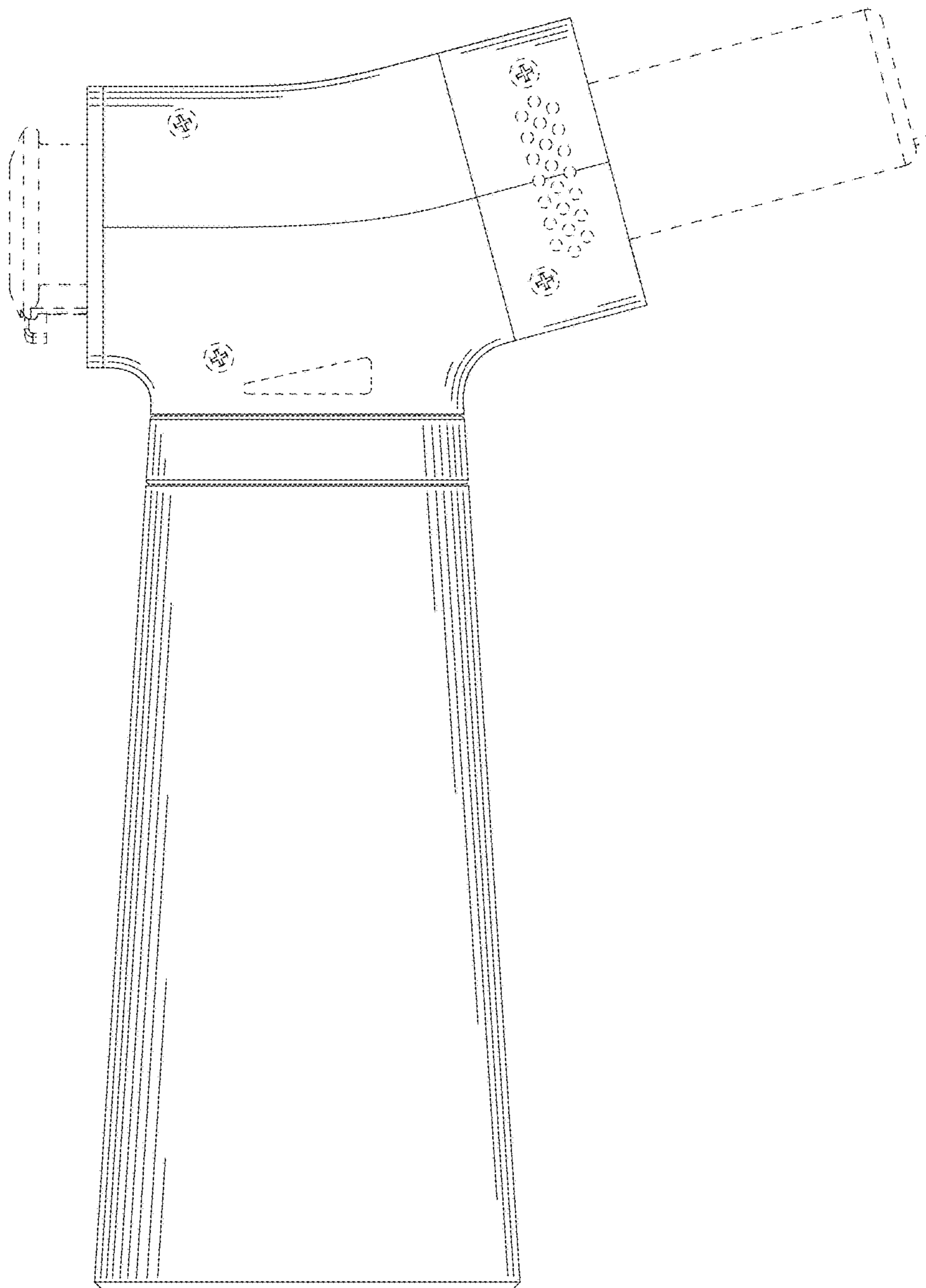


FIG. 3

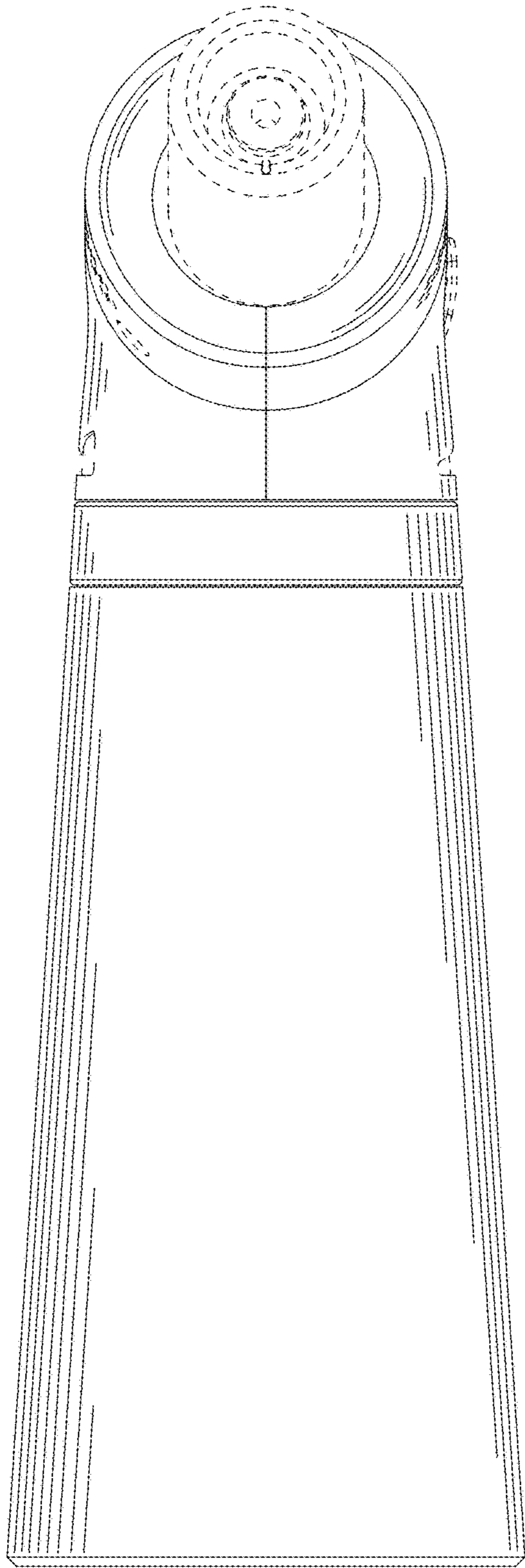


FIG. 4

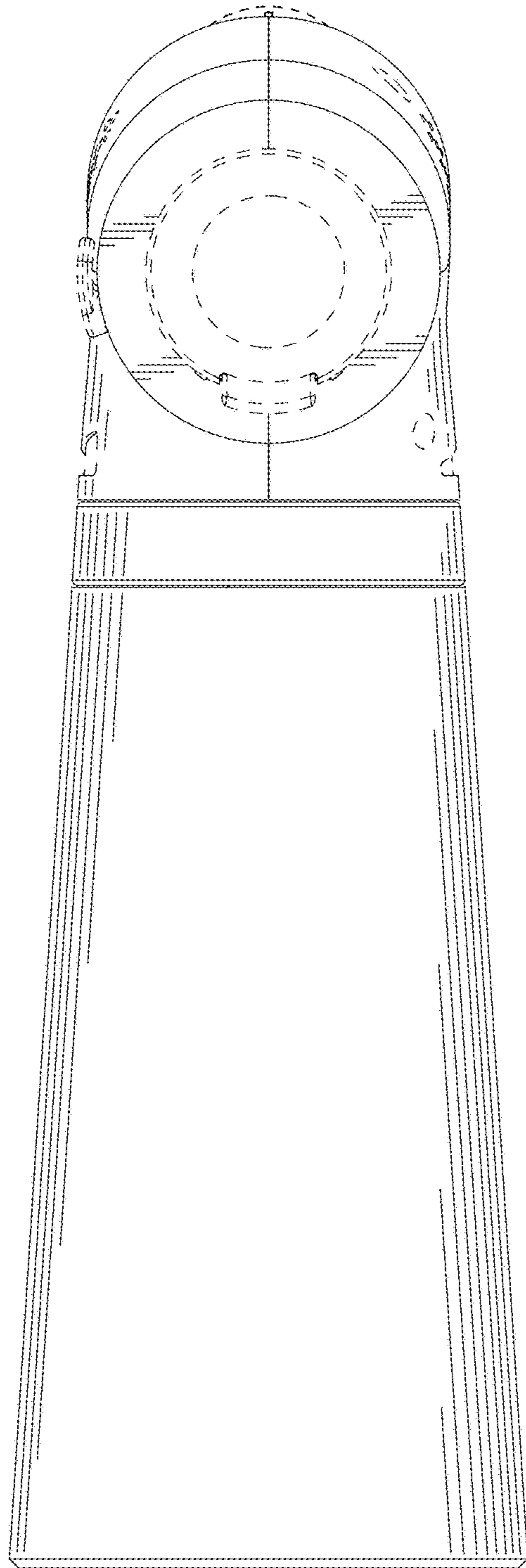


FIG. 5

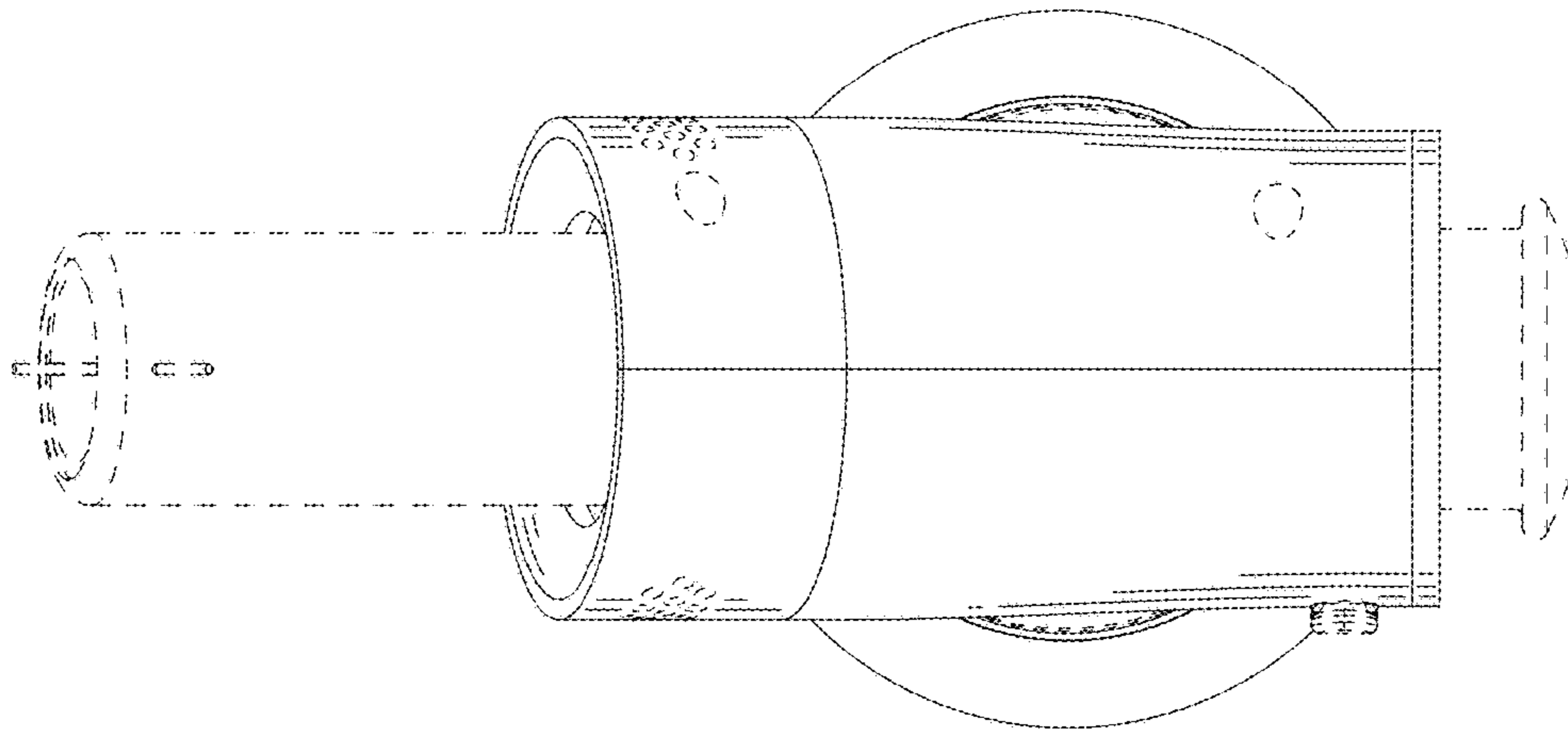


FIG. 6

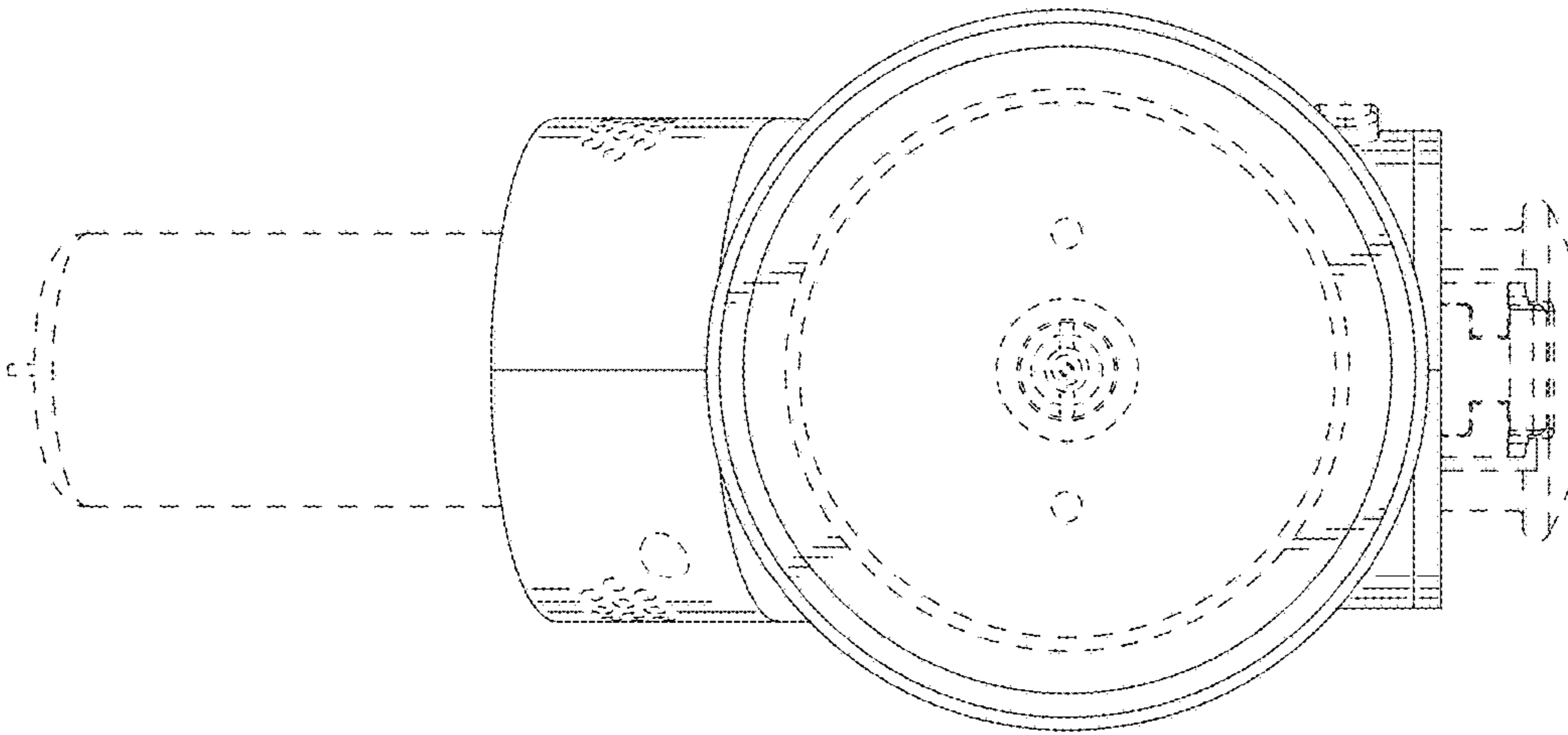


FIG. 7