



US00D868856S

(12) **United States Design Patent**  
**Lorenz**

(10) **Patent No.:** **US D868,856 S**  
(45) **Date of Patent:** **\*\* Dec. 3, 2019**

(54) **SPOT WELDING GUN**

FOREIGN PATENT DOCUMENTS

- (71) Applicant: **Car-O-Liner Group AB**, Västra Frölunda (SE)
- (72) Inventor: **Maria Lorenz**, Västra Frölunda (SE)
- (73) Assignee: **CAR-O-LINER GROUP AB**, Västra Frölunda (SE)

CA 2328995 A1 \* 10/1999 ..... B23K 11/253  
*Primary Examiner* — Garth Rademaker  
*Assistant Examiner* — Fritzgerald L Butac  
 (74) *Attorney, Agent, or Firm* — RMCK Law Group, PLC

(\*\*) Term: **15 Years**

(57) **CLAIM**

The ornamental design for a spot welding gun, as shown and described.

(21) Appl. No.: **29/647,522**

**DESCRIPTION**

(22) Filed: **May 14, 2018**

FIG. 1 is a perspective view of a spot welding gun showing our new design; and,  
 FIG. 2 is a first side view of the spot welding gun of FIG. 1;  
 FIG. 3 is a second side view of the spot welding gun of FIG. 1;  
 FIG. 4 is a top view of the spot welding gun of FIG. 1;  
 FIG. 5 is a bottom view of the spot welding gun of FIG. 1;  
 FIG. 6 is a rear view of the spot welding gun of FIG. 1;  
 FIG. 7 is a front view of the spot welding gun of FIG. 1;  
 FIG. 8 is another perspective view of the spot welding gun, with the handle in an alternate position;  
 FIG. 9 is a first side view of the spot welding gun, with the handle in the alternate position shown in in FIG. 8;  
 FIG. 10 is a second side view of the spot welding gun, with the handle in the alternate position shown in FIG. 8;  
 FIG. 11 is a top view of the spot welding gun, with the handle in the alternate position shown in FIG. 8;  
 FIG. 12 is a bottom view of the spot welding gun, with the handle in an alternate position shown in FIG. 8;  
 FIG. 13 is a rear view of the spot welding gun, with the handle in an alternate position shown in FIG. 8; and,  
 FIG. 14 is a front view of the spot welding gun, with the handle in an alternate position shown in FIG. 8.  
 The broken lines show portions of a spot welding gun that form no part of the claimed design.

(30) **Foreign Application Priority Data**

Nov. 20, 2017 (EM) ..... 004513976

(51) **LOC (12) Cl.** ..... **15-09**

(52) **U.S. Cl.**  
USPC ..... **D15/144; D8/30**

(58) **Field of Classification Search**  
USPC .... D8/14, 17, 29, 29.1, 30; D15/144, 144.1, D15/144.2, 145  
CPC ..... B23K 11/315; B23K 11/317  
See application file for complete search history.

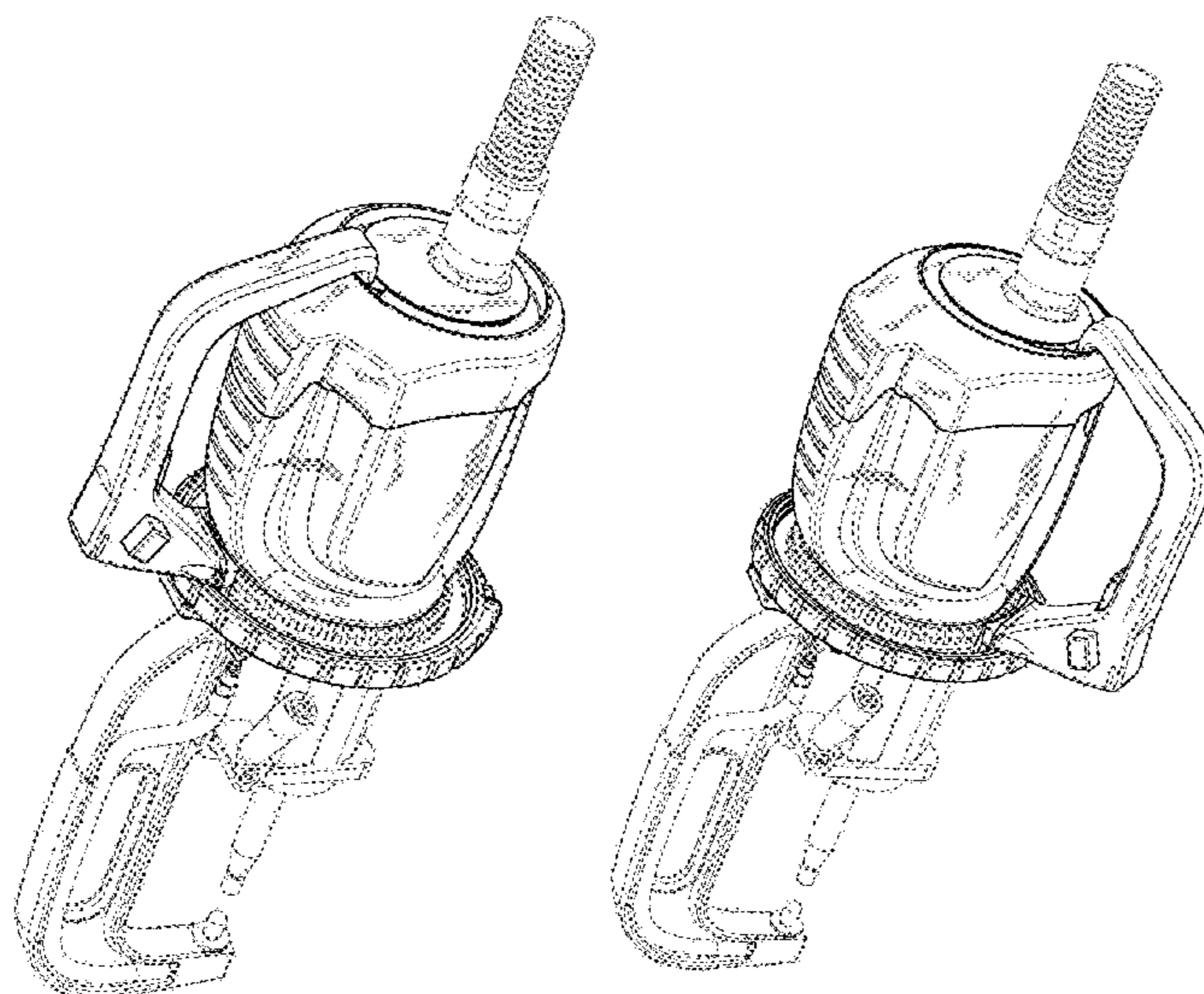
(56) **References Cited**

U.S. PATENT DOCUMENTS

- 2,086,784 A \* 7/1937 Taylor ..... B23K 11/315  
219/89
- 4,684,778 A \* 8/1987 Cecil ..... B23K 11/317  
219/116
- D302,433 S \* 7/1989 Niedrig ..... D15/145
- D326,594 S \* 6/1992 Haberman ..... D8/30
- D343,629 S \* 1/1994 Bode ..... D15/144
- D346,729 S \* 5/1994 Schaefer ..... D8/30
- D367,660 S \* 3/1996 Weston ..... D15/144.1
- D368,632 S \* 4/1996 Young ..... D8/68

(Continued)

**1 Claim, 14 Drawing Sheets**



(56)

References Cited

U.S. PATENT DOCUMENTS

5,528,011 A *	6/1996	Kono	.....	B23K 11/253	219/86.41	D683,774 S *	6/2013	Leiteritz	.....	D15/144.2
5,789,719 A *	8/1998	Pary	.....	B23K 11/317	219/86.25	D693,068 S *	11/2013	Tan	.....	D30/158
D416,920 S *	11/1999	Chou	.....			D695,800 S *	12/2013	Wallimann-Durrer	.....	D15/144
D456,033 S *	4/2002	Boyer	.....			D698,378 S *	1/2014	Leiteritz	.....	D15/144.2
D456,426 S *	4/2002	Boyer	.....			D698,835 S *	2/2014	Juskowich	.....	D15/144
D502,716 S *	3/2005	Ridley	.....			D706,323 S *	6/2014	Juskowich	.....	D15/144
D505,918 S *	6/2005	Conway	.....			D711,946 S *	8/2014	Raboin	.....	D15/144.2
D535,166 S *	1/2007	Kensrue	.....			D718,358 S *	11/2014	McKinley	.....	D15/144.2
D567,833 S *	4/2008	Stirnemann	.....			D725,448 S *	3/2015	Castrigno	.....	D8/14.1
D615,573 S *	5/2010	Peters	.....			D735,002 S *	7/2015	Bondy	.....	D8/30
D621,430 S *	8/2010	Christen	.....			D743,765 S *	11/2015	Chen	.....	D8/29.1
D637,637 S *	5/2011	Daiber	.....			D749,656 S *	2/2016	Stephens	.....	D15/144
D638,270 S *	5/2011	Flattinger	.....			D750,144 S *	2/2016	Stephens	.....	D15/144
D659,496 S *	5/2012	Mochizuki	.....			D750,145 S *	2/2016	Stephens	.....	D15/144
D672,378 S *	12/2012	Boyer	.....			D752,403 S *	3/2016	Kindig	.....	D15/144
D683,372 S *	5/2013	Boyer	.....			D778,966 S *	2/2017	Miller	.....	D15/129
						D780,239 S *	2/2017	Burgler	.....	D15/144
						D780,240 S *	2/2017	Burgler	.....	D15/144
						D804,555 S *	12/2017	Townsend	.....	B23K 9/282
										D15/144
						D812,120 S *	3/2018	Prikler	.....	D15/144

\* cited by examiner

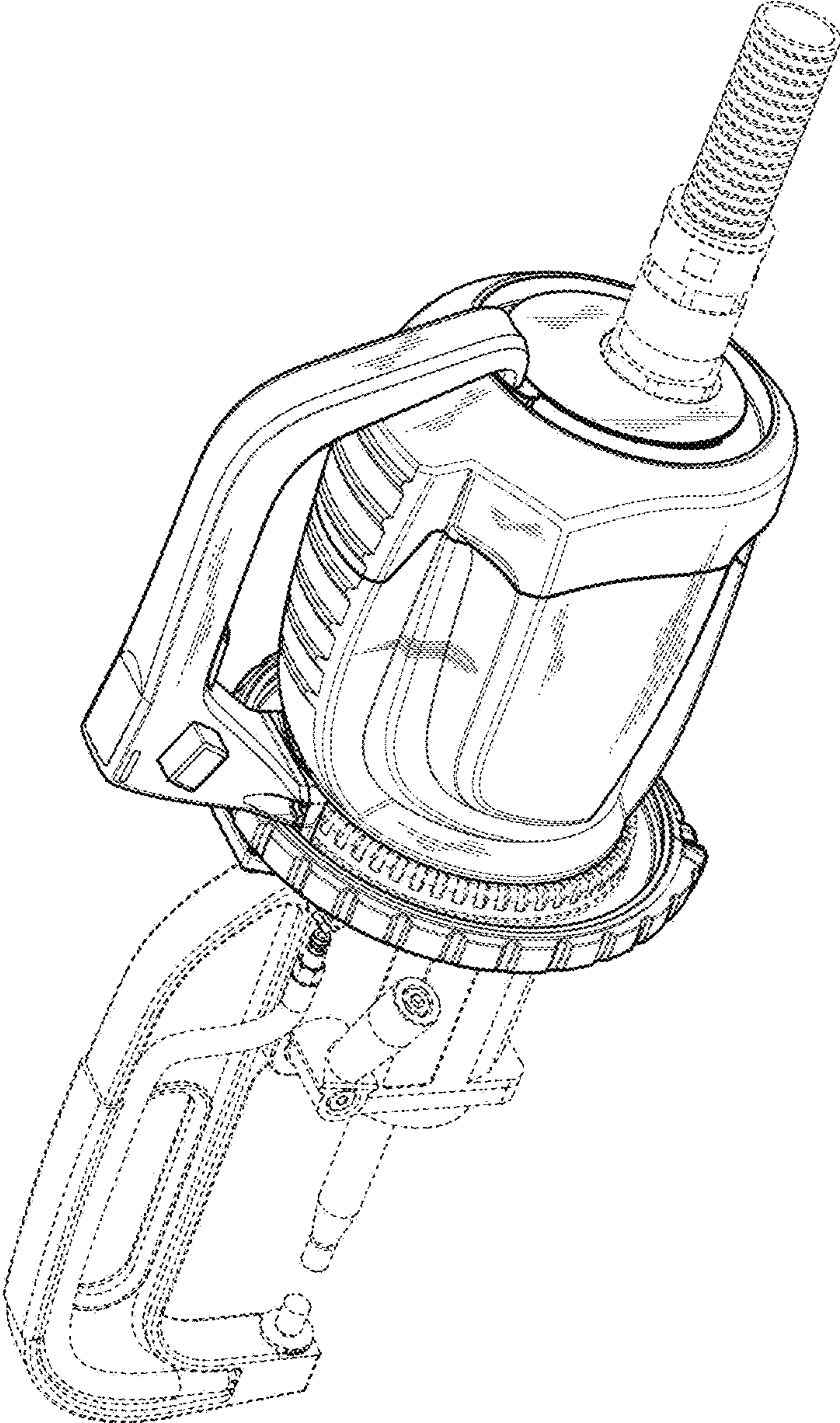


FIG. 1

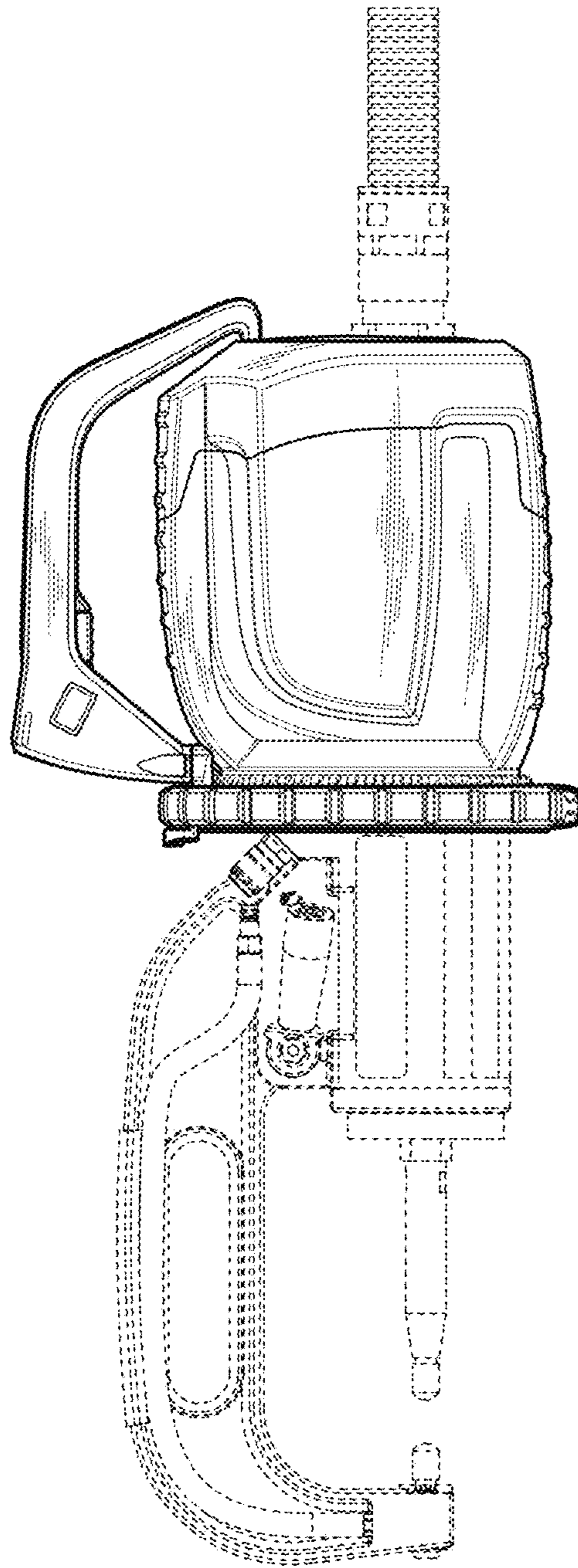


FIG. 2

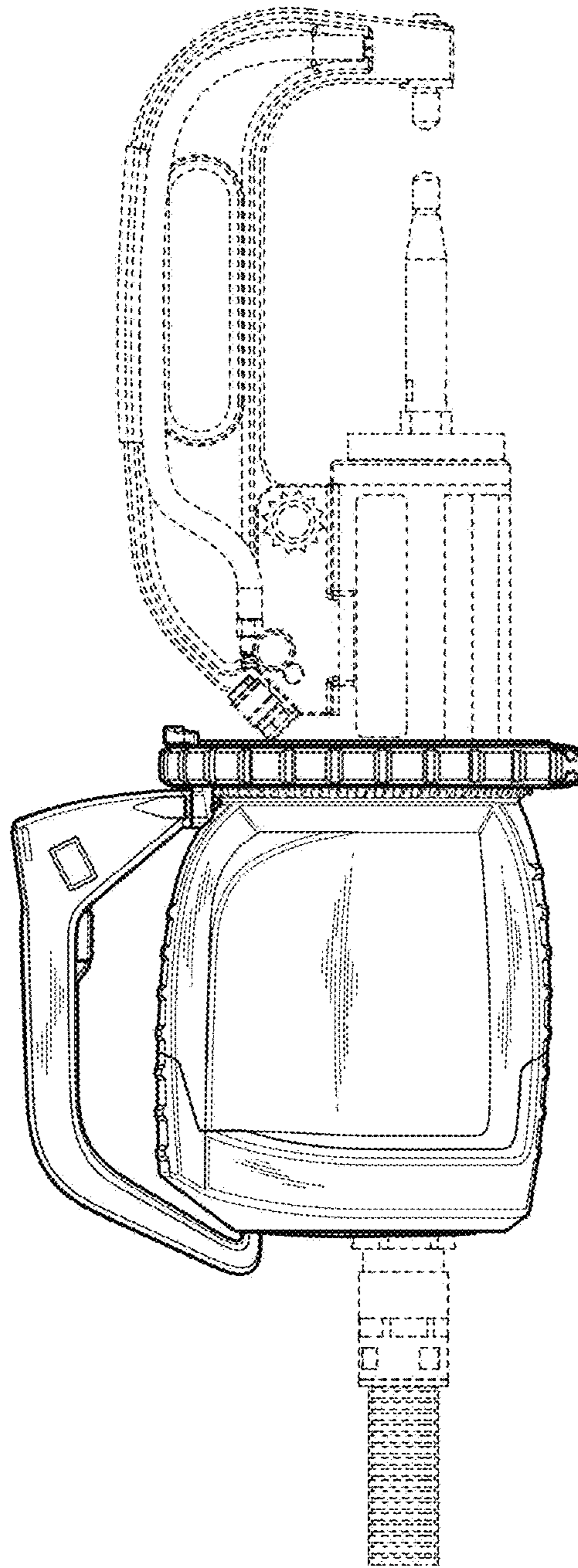


FIG. 3

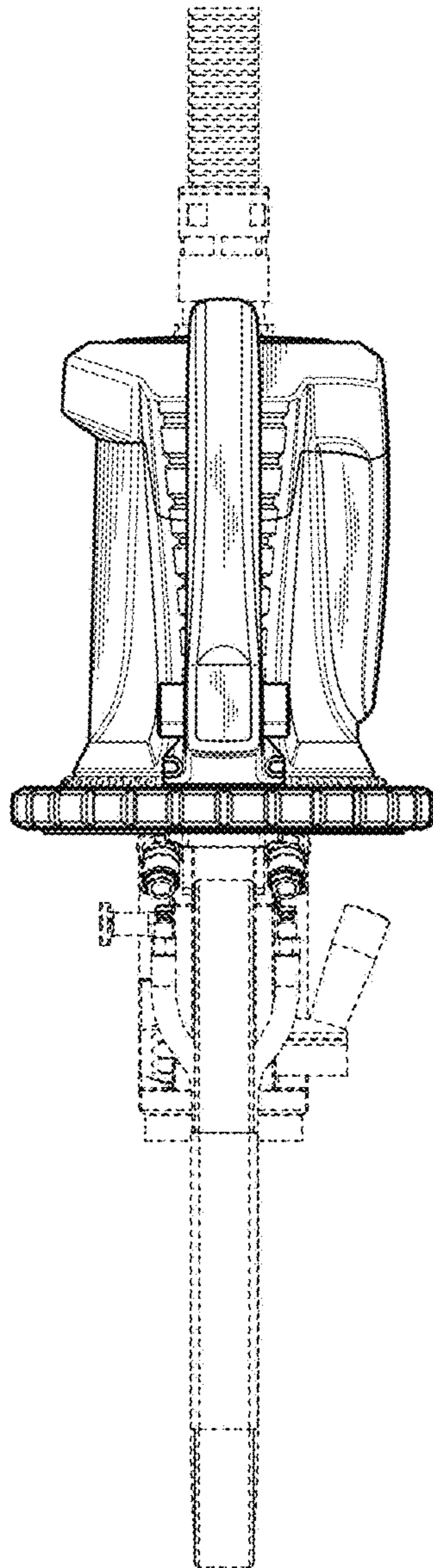


FIG. 4

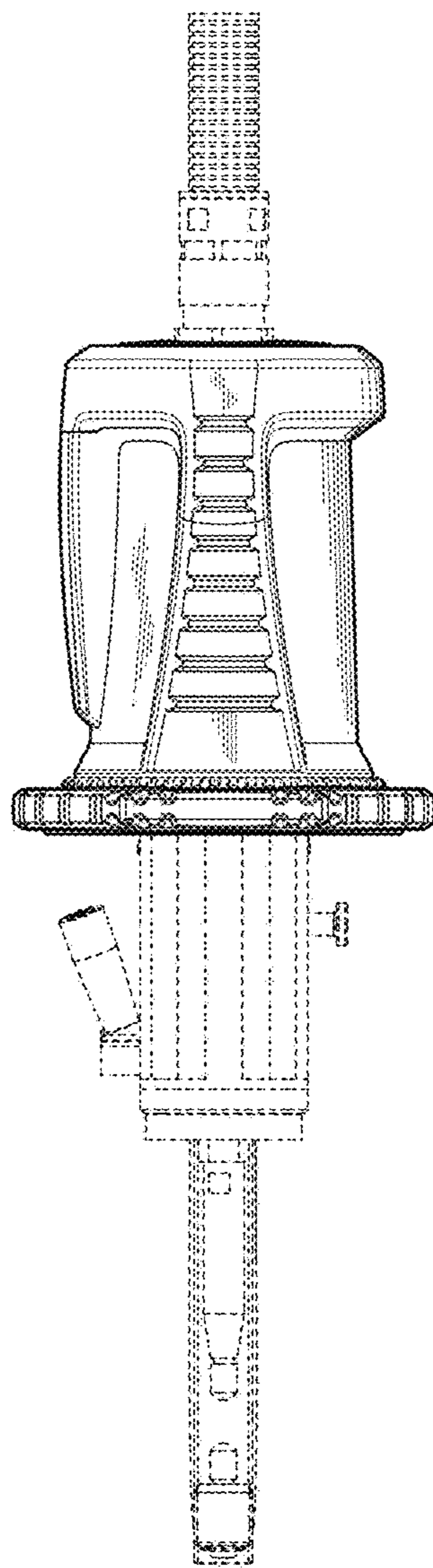


FIG. 5

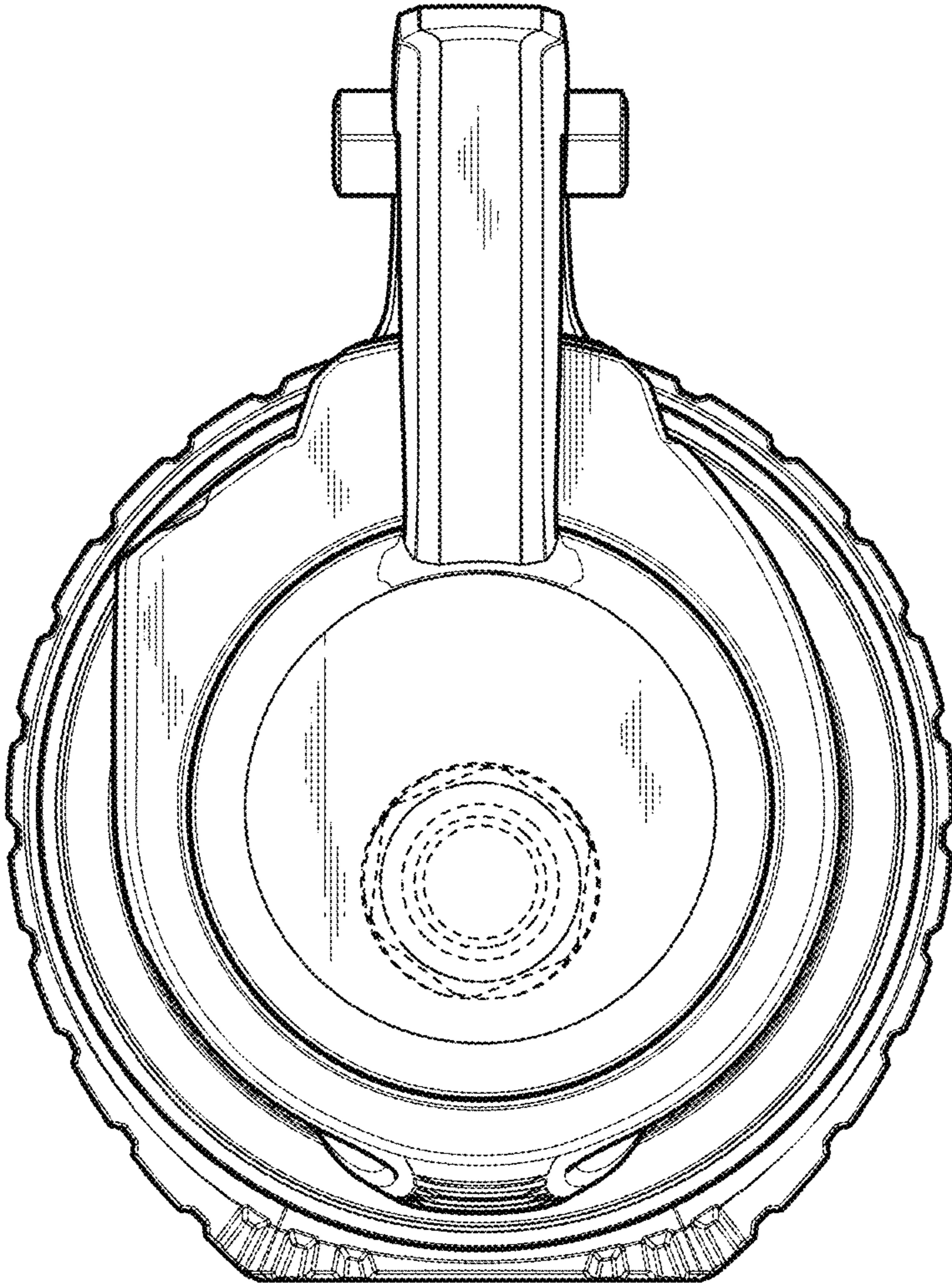


FIG. 6



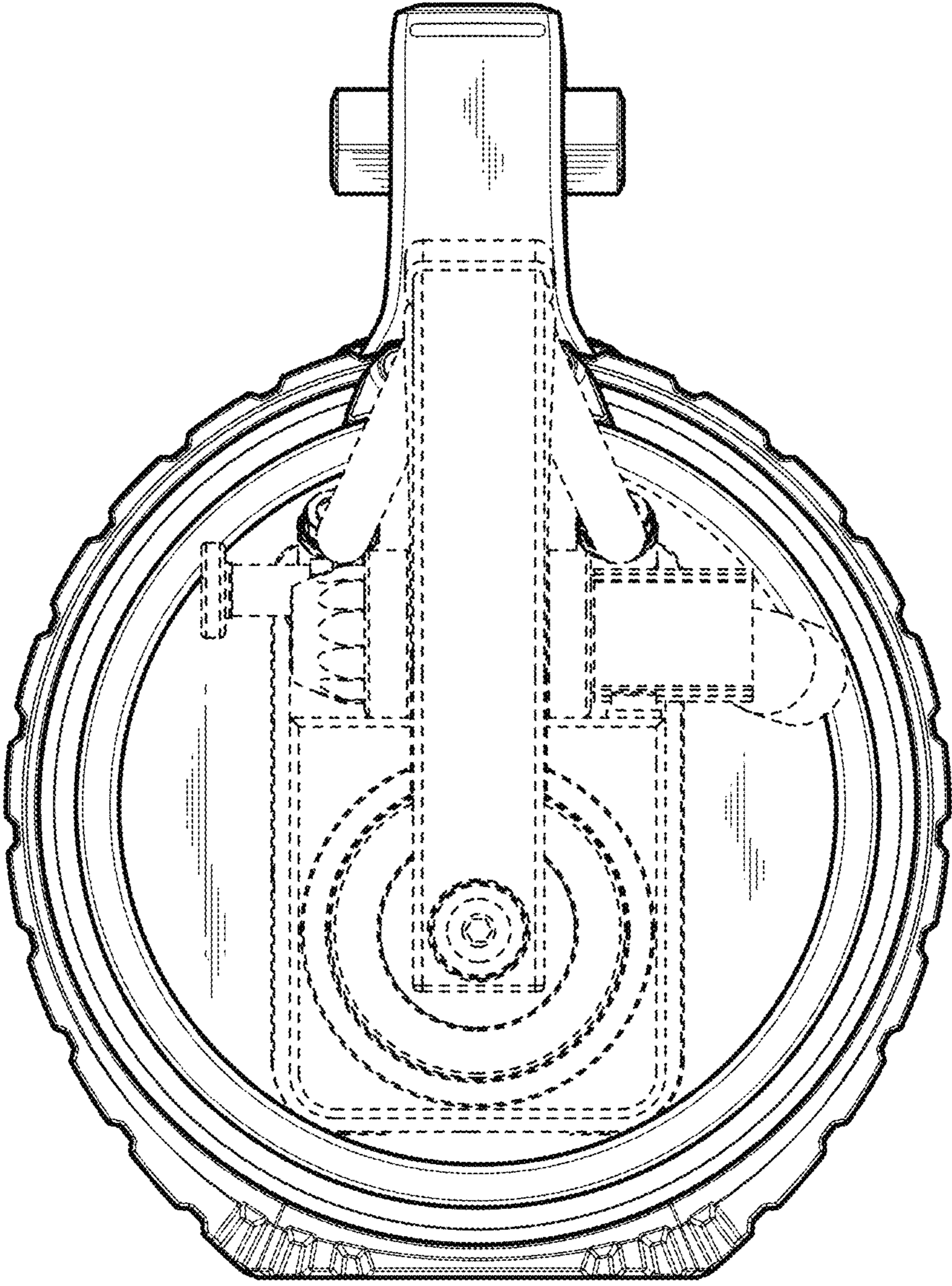


FIG. 7

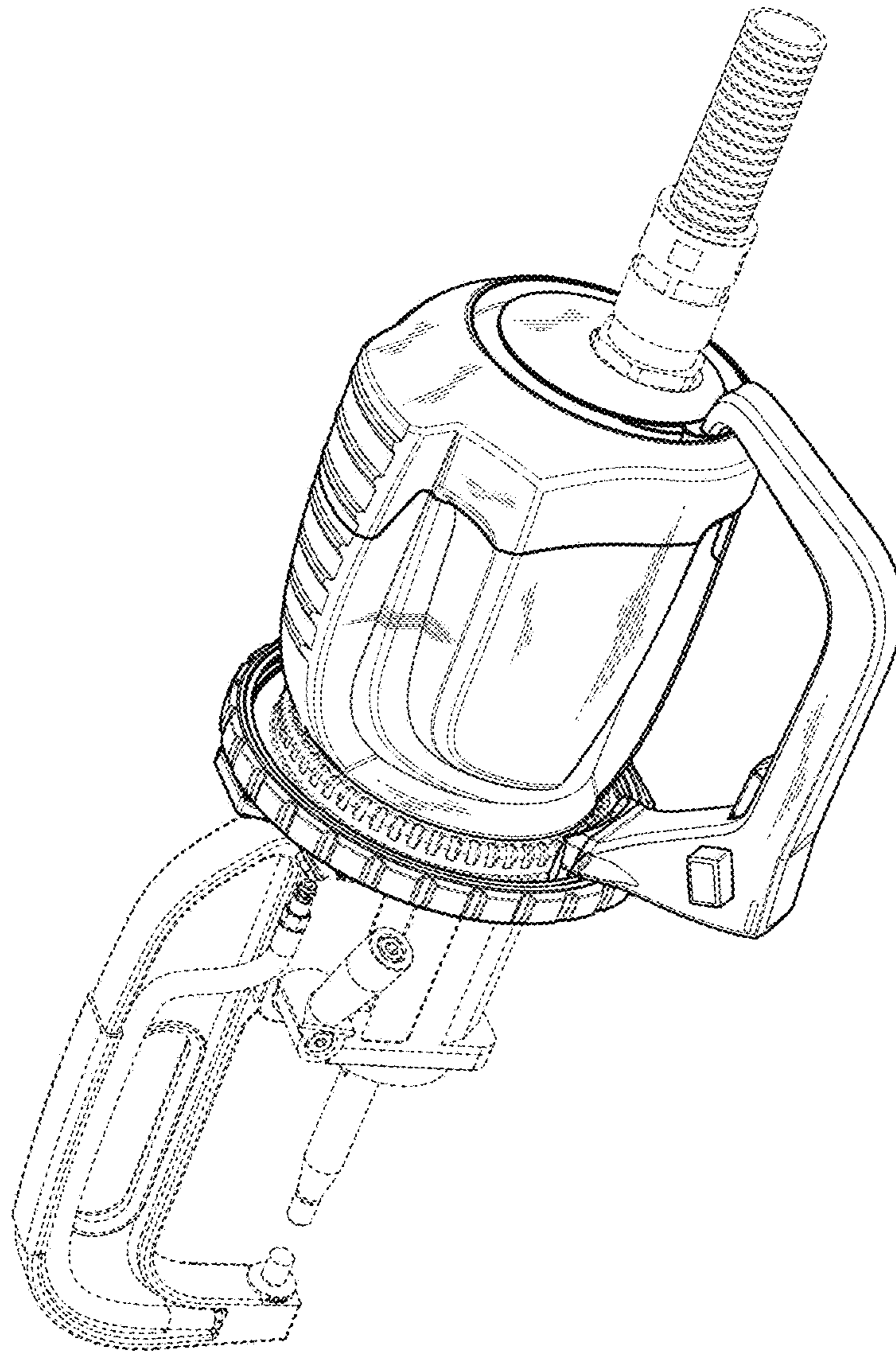


FIG. 8

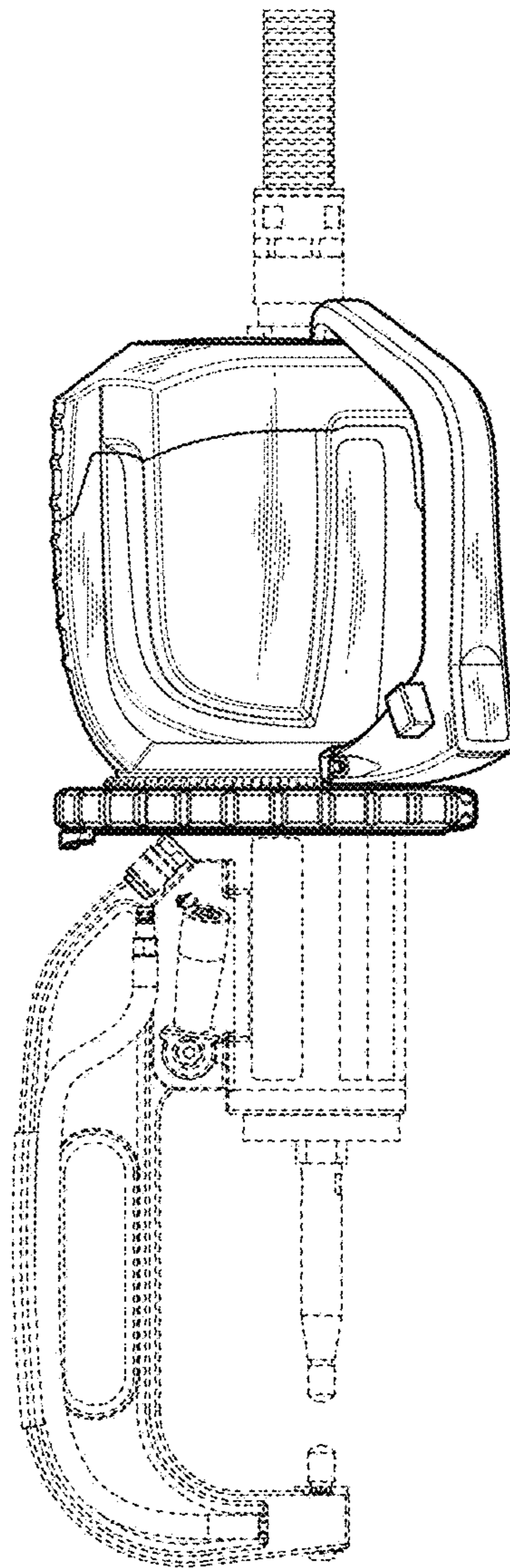


FIG. 9

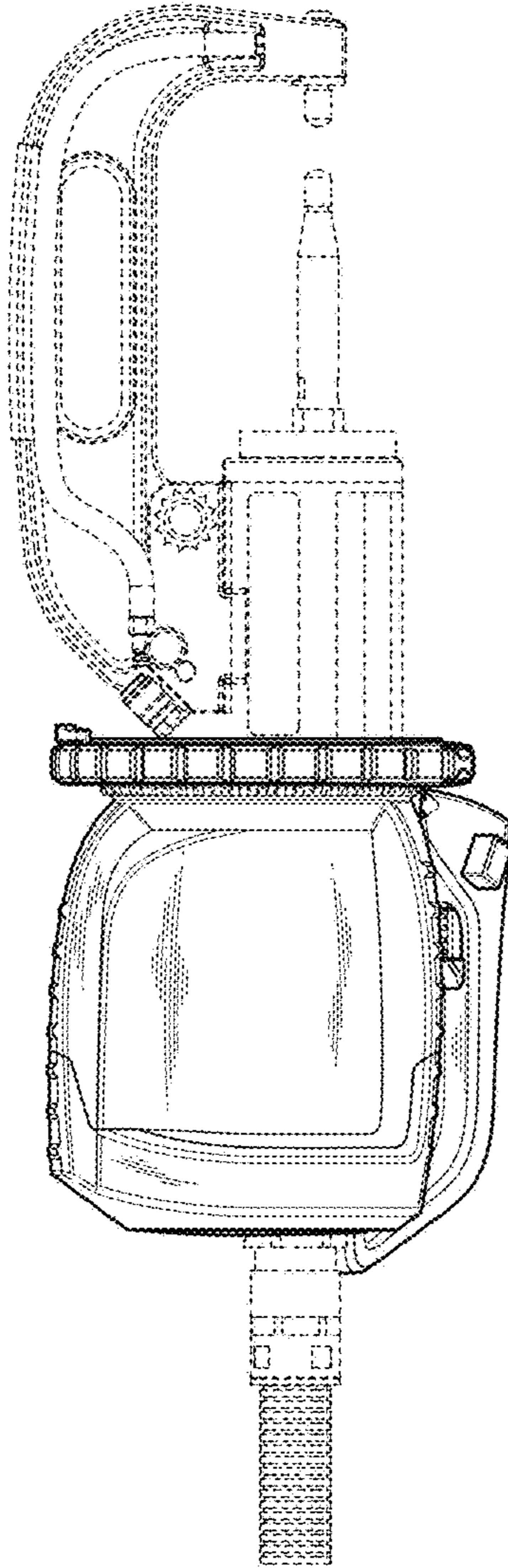


FIG. 10

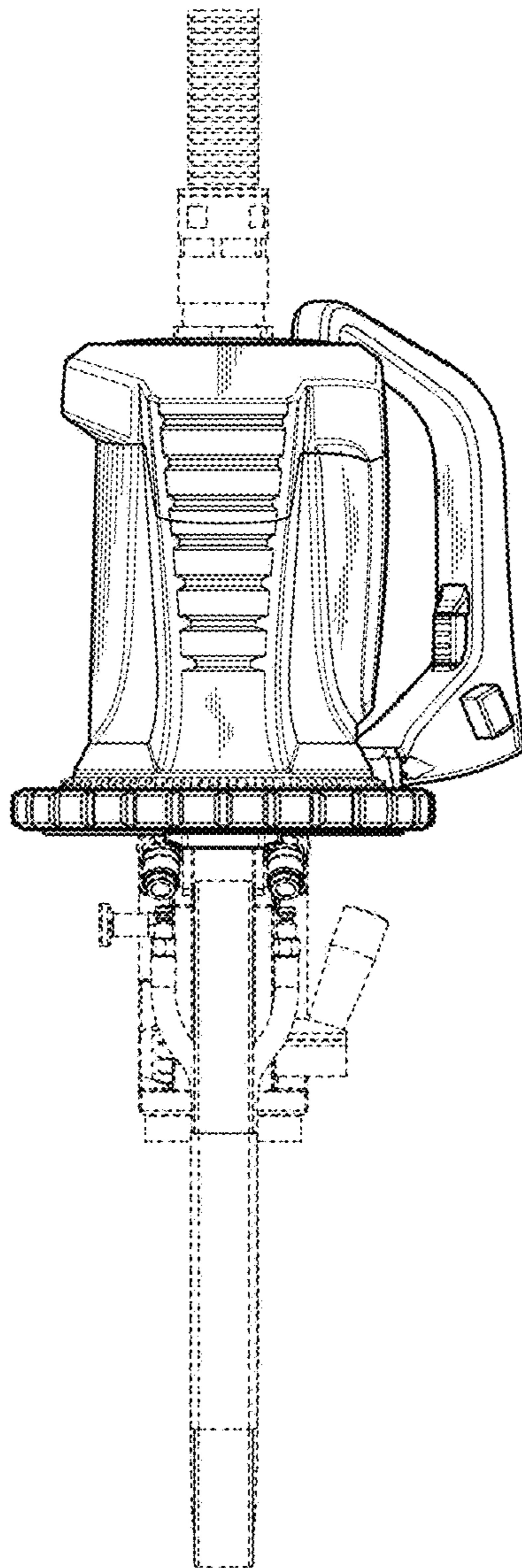


FIG. 11

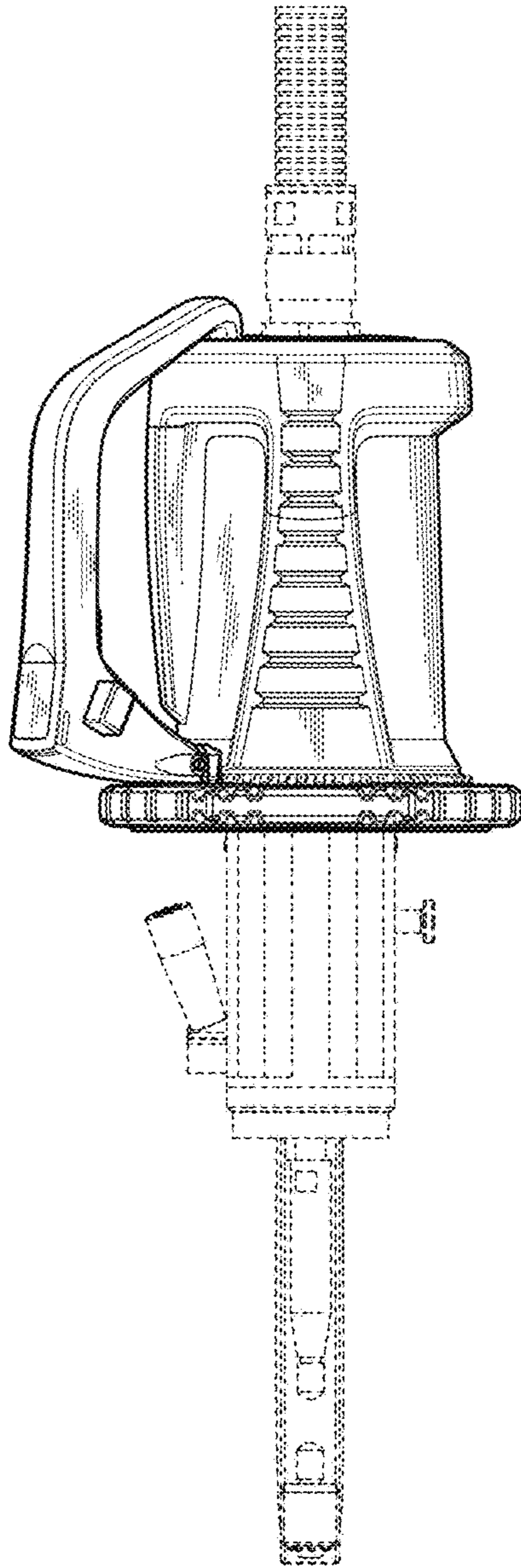


FIG. 12

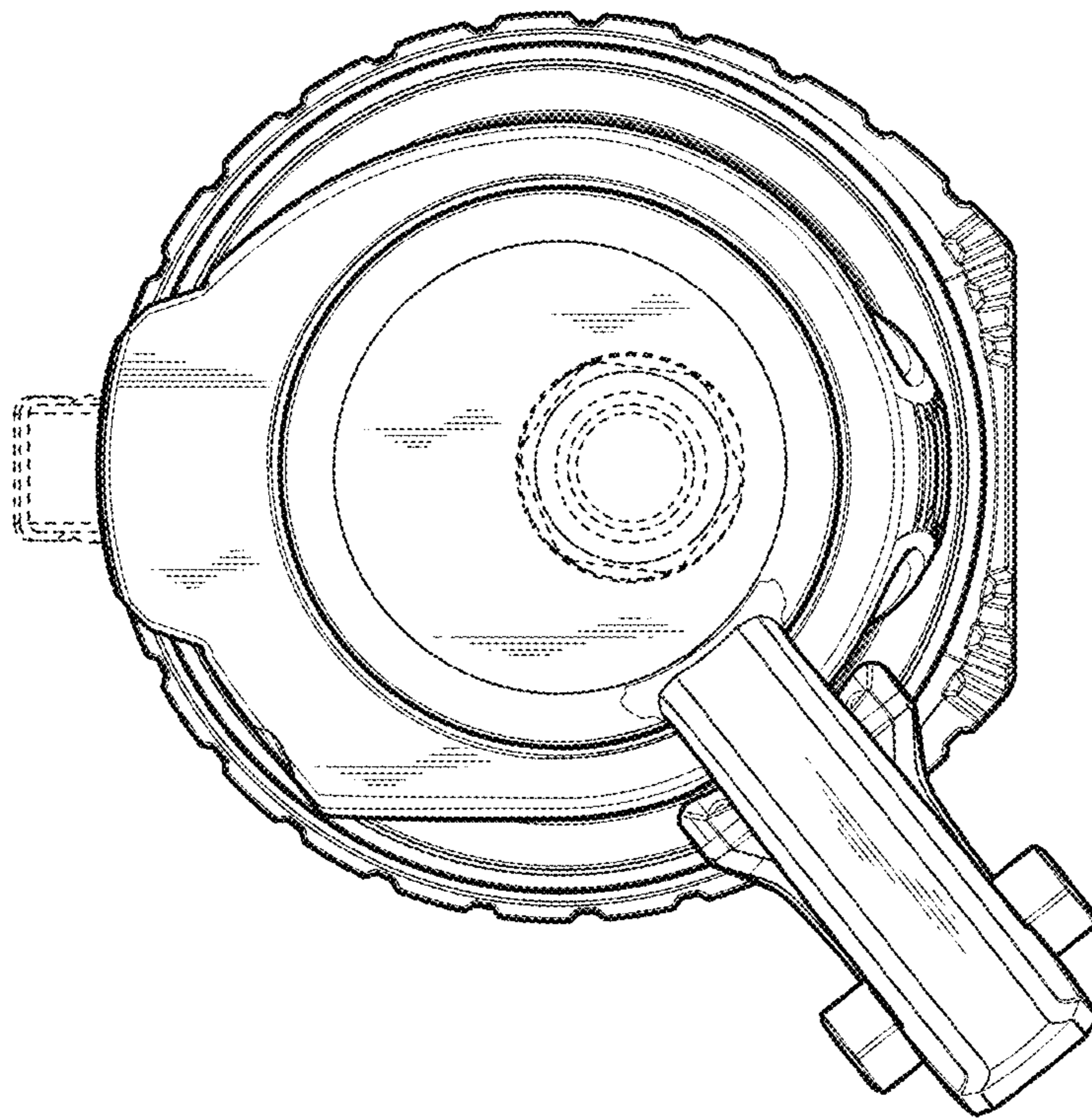


FIG. 13

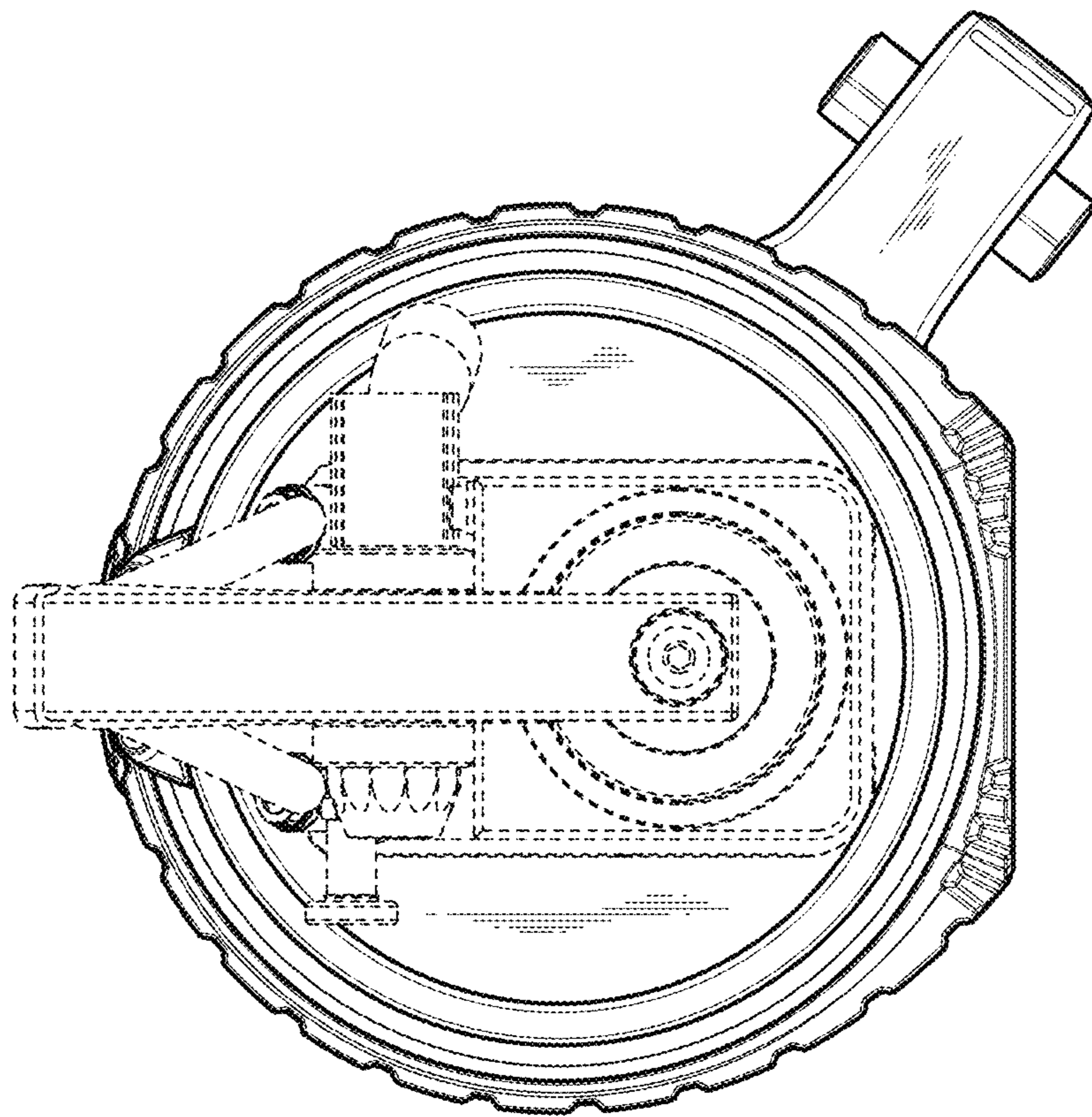


FIG. 14