



US00D868853S

(12) **United States Design Patent** (10) **Patent No.:** **US D868,853 S**
Lee et al. (45) **Date of Patent:** **** Dec. 3, 2019**

(54) **DOOR FOR REFRIGERATOR**
(71) Applicant: **SAMSUNG ELECTRONICS CO., LTD.**, Suwon-si, Gyeonggi-do (KR)
(72) Inventors: **Jae-Moon Lee**, Seoul (KR); **Jun-Hyeok Choi**, Gyeonggi-Do (KR); **Yoon-Joo Kwon**, Seoul (KR); **Sun-Min Lee**, Seoul (KR)
(73) Assignee: **SAMSUNG ELECTRONICS CO., LTD.**, Gyeonggi-Do (KR)

D738,940 S * 9/2015 Shin D15/89
D738,941 S * 9/2015 Shin D15/91
D783,691 S * 4/2017 Kim D15/91
D787,572 S * 5/2017 Seo D15/91
D788,193 S * 5/2017 Seo D15/91
D788,194 S * 5/2017 Kwak D15/91

(Continued)

FOREIGN PATENT DOCUMENTS

DM 092248 3/2016
EM 0025064440012 1/2015
KR 300424747 9/2006

(Continued)

Primary Examiner — Khawaja Anwar

(74) *Attorney, Agent, or Firm* — Cantor Colburn LLP

(**) Term: **15 Years**
(21) Appl. No.: **29/650,055**
(22) Filed: **Jun. 4, 2018**

(30) **Foreign Application Priority Data**

Jan. 16, 2018 (KR) 30-2018-0002490

(51) **LOC (12) Cl.** **15-07**
(52) **U.S. Cl.**
USPC **D15/91**

(58) **Field of Classification Search**
USPC D15/79-91
CPC F25D 17/065; F25D 2317/061; F25D 2323/023; F25D 23/028; F25D 23/126; F25D 11/02; F25D 2201/126; F25D 2201/1262; F25D 2201/14; F25D 2323/021; F25D 23/02; F25D 23/025; F25D 23/04; F25D 23/062; F25D 23/064; F25D 23/065; F25D 23/067; F25D 2400/361; F25D 25/025; F25D 25/04; F25D 29/005; F25D 29/006; F25D 31/005; F25D 3/06

See application file for complete search history.

(56) **References Cited**

U.S. PATENT DOCUMENTS

D707,735 S * 6/2014 Cho D15/91
D730,958 S * 6/2015 Choi D15/91

(57) **CLAIM**

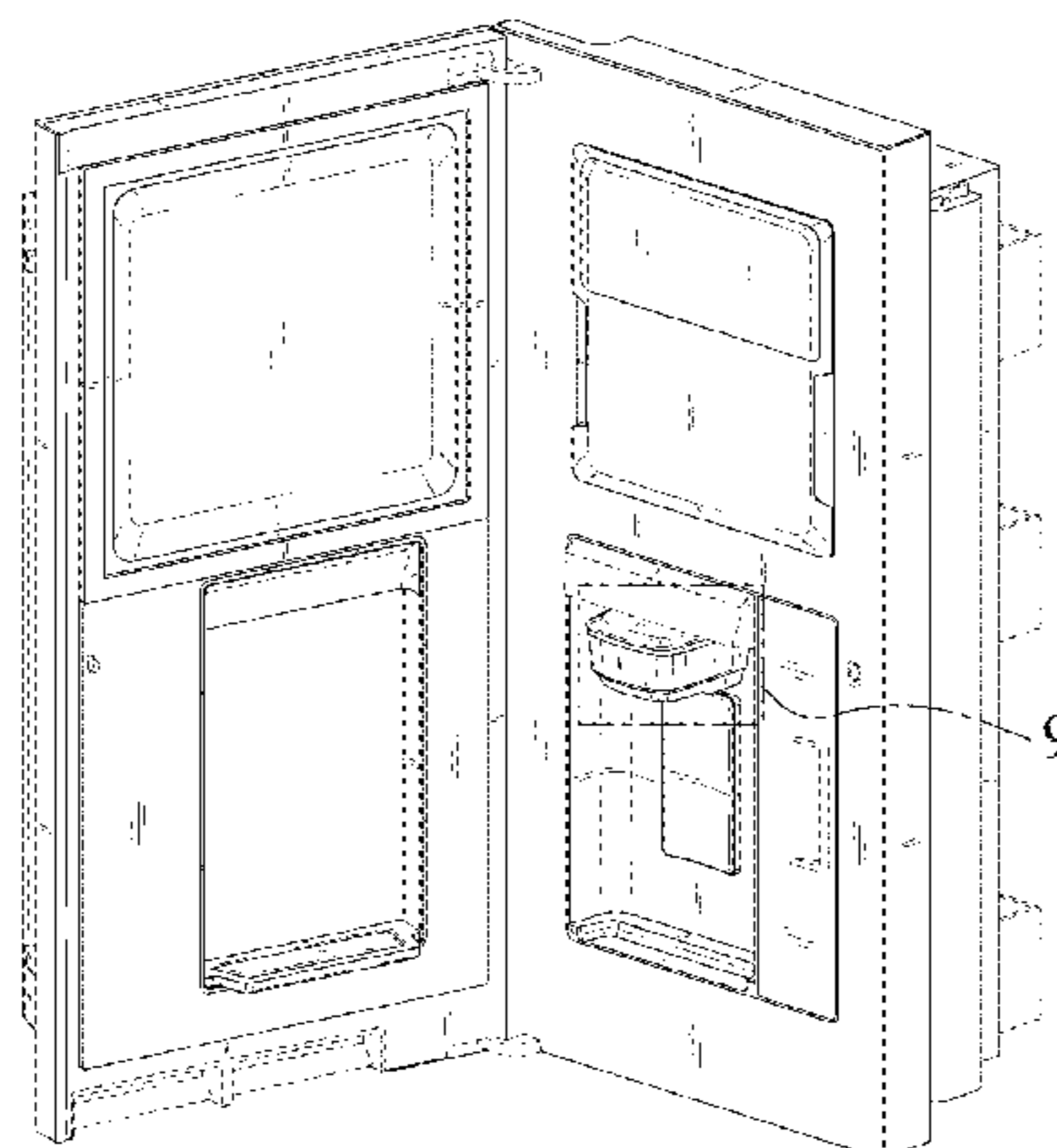
The ornamental design for a door for refrigerator, as shown and described.

DESCRIPTION

FIG. 1 is a front perspective view of a door for refrigerator, showing our new design;
FIG. 2 is a front view thereof;
FIG. 3 is a rear view thereof;
FIG. 4 is a side view thereof;
FIG. 5 is another side view thereof;
FIG. 6 is a top view thereof;
FIG. 7 is a bottom view thereof;
FIG. 8 is another perspective view thereof as shown in a refrigerator environment; and,
FIG. 9 is an enlarged view of the encircled portion 9 in FIG. 1.

The broken lines illustrating portions of the door for refrigerator form no part of the claimed design. The dot-dash broken lines encircling portions of the claimed design that are illustrated in enlargements form no part of the claimed design.

1 Claim, 9 Drawing Sheets



(56)

References Cited

U.S. PATENT DOCUMENTS

D791,202 S * 7/2017 Kwak D15/91
D816,736 S * 5/2018 Kim D15/91

FOREIGN PATENT DOCUMENTS

KR 300919429 8/2017
KR 300927187 10/2017

* cited by examiner

FIG. 1

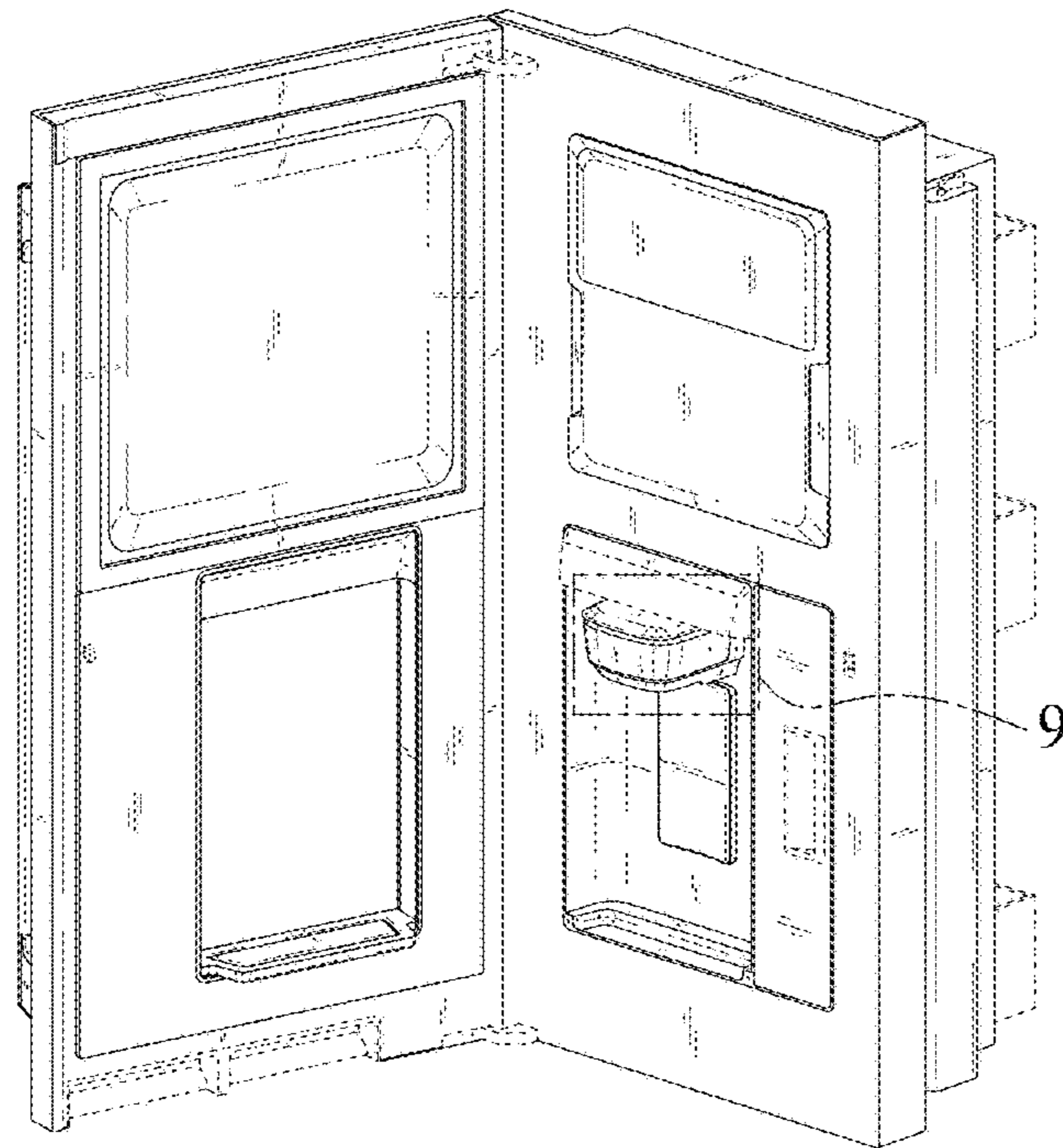


FIG. 2

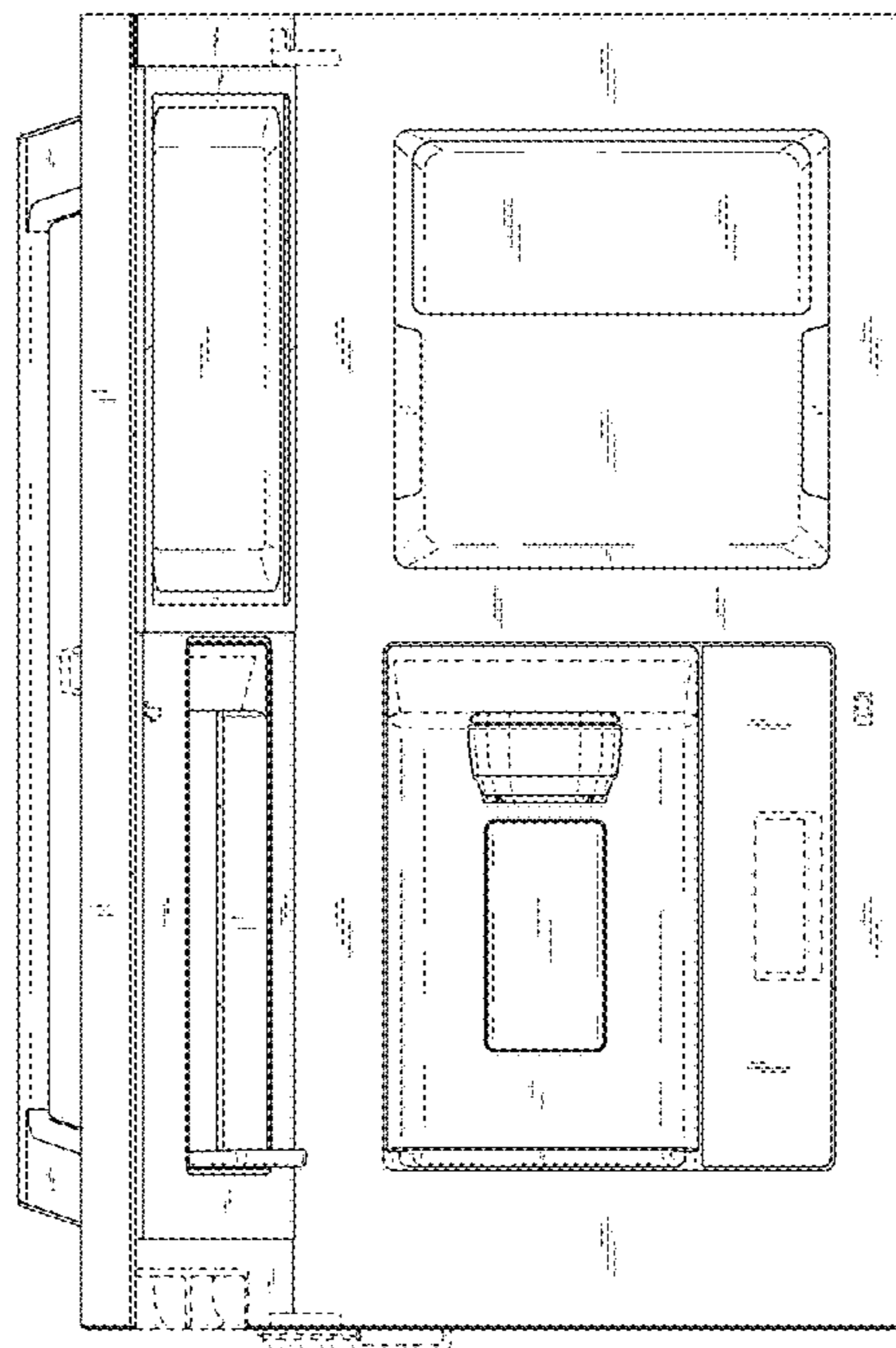


FIG. 3

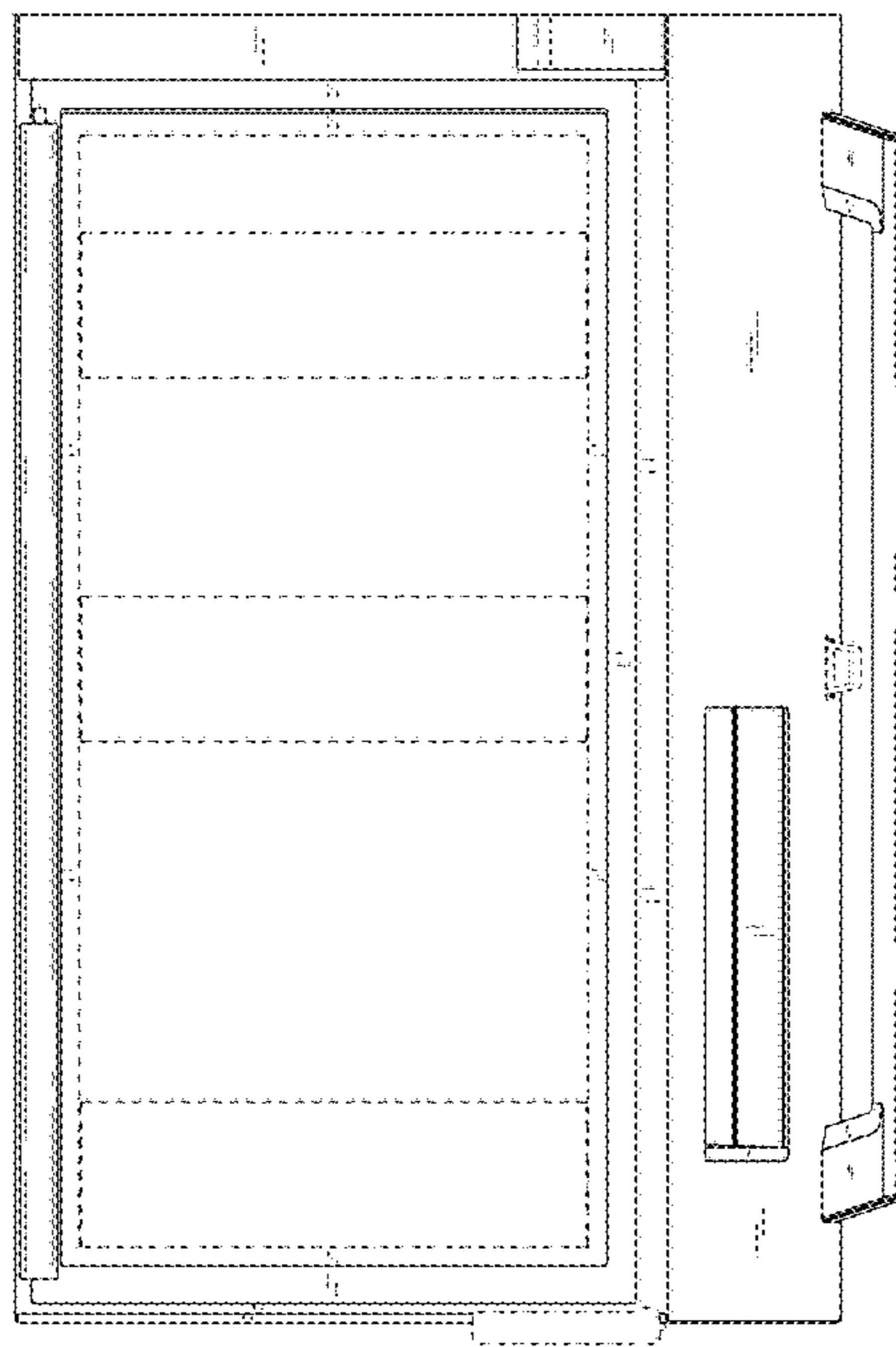


FIG. 4

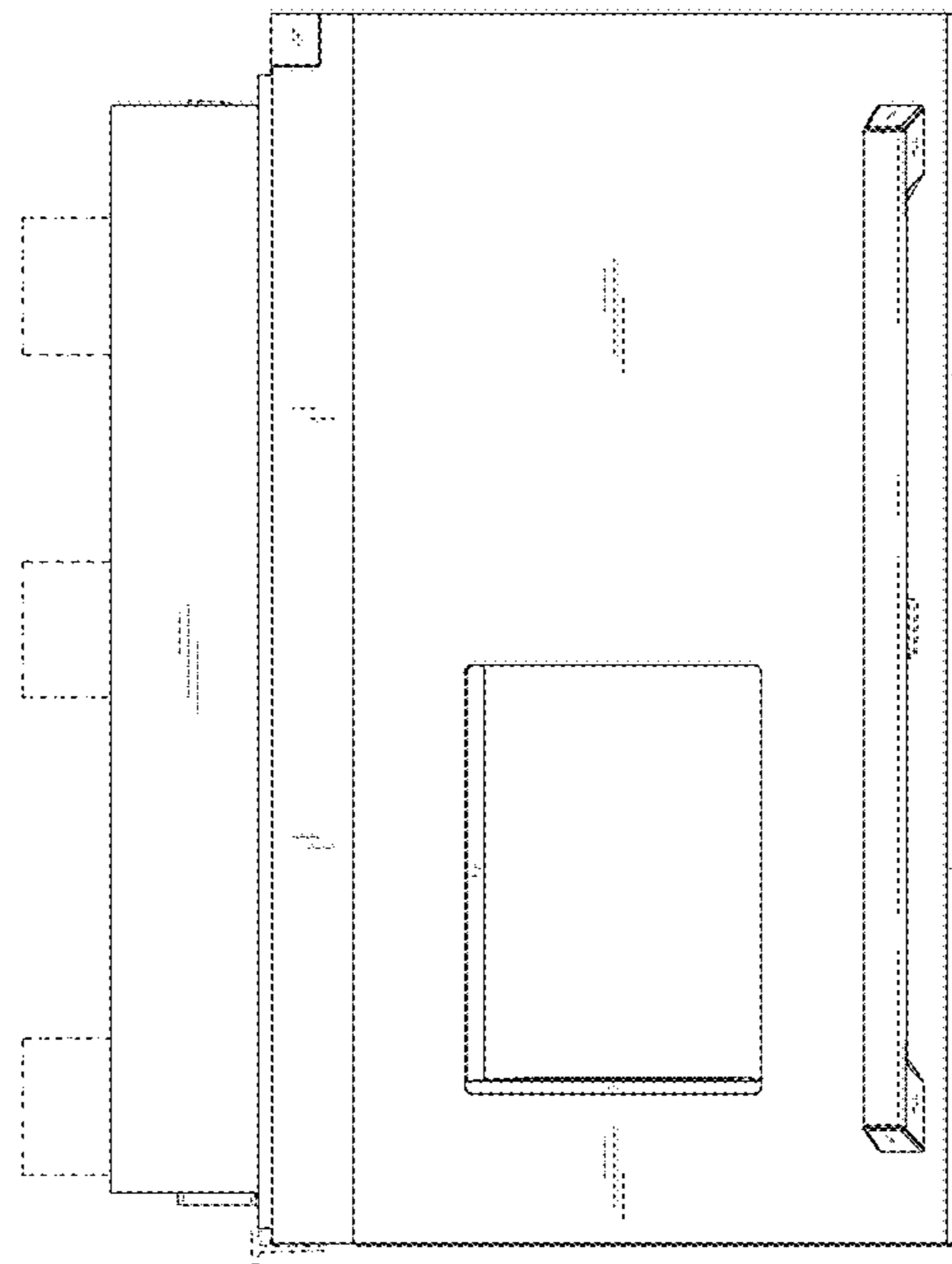


FIG. 5

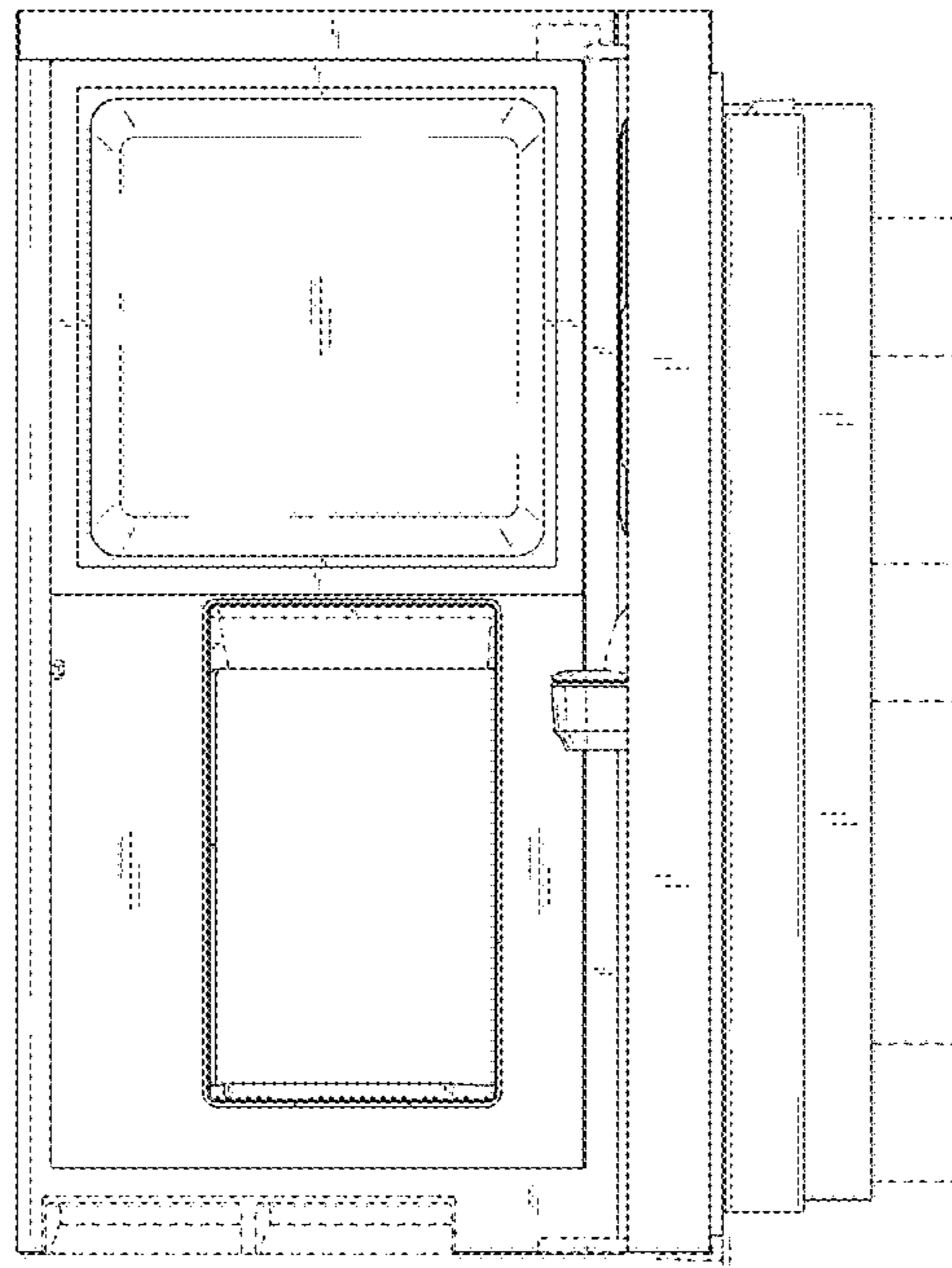


FIG. 6

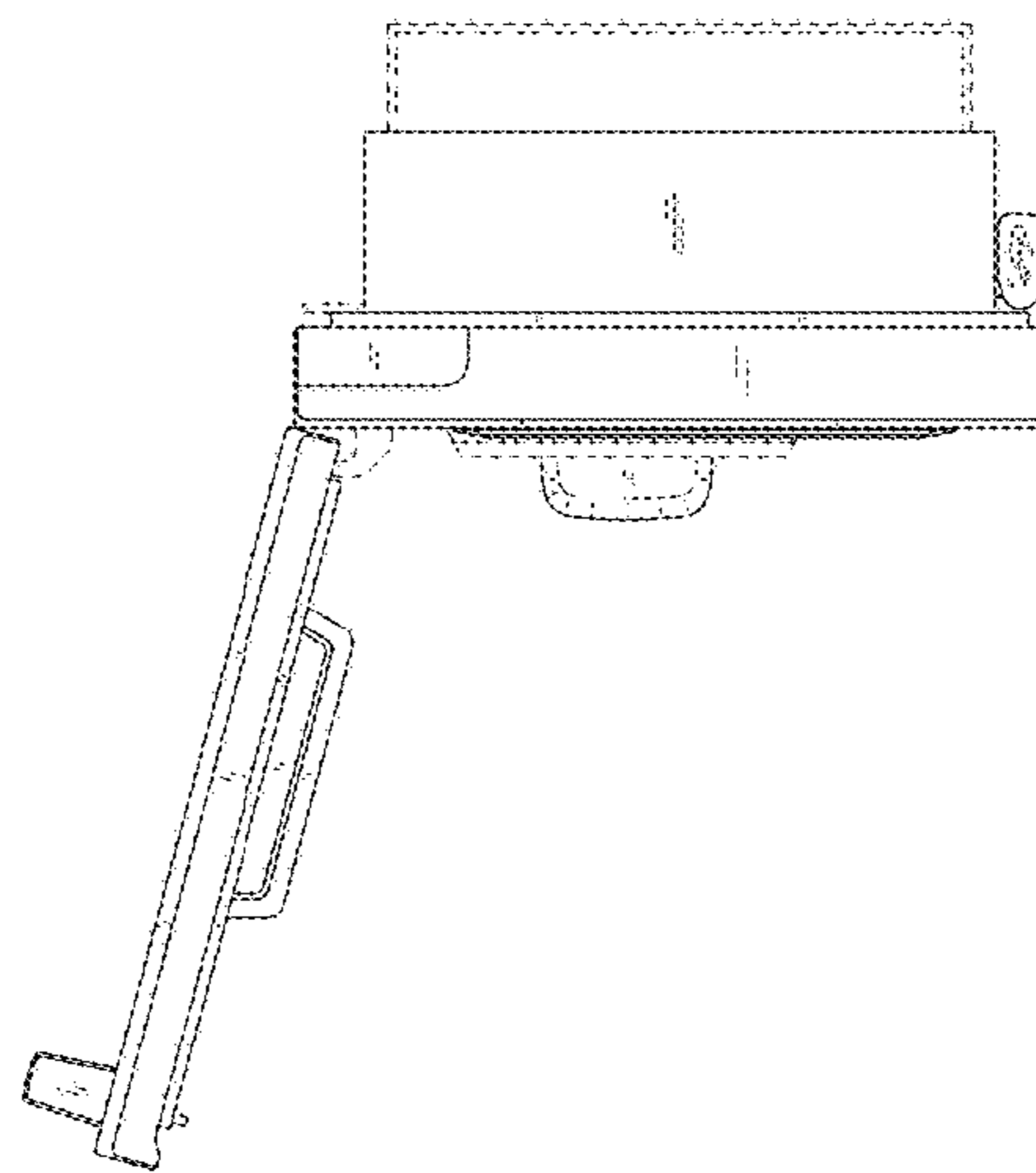


FIG. 7

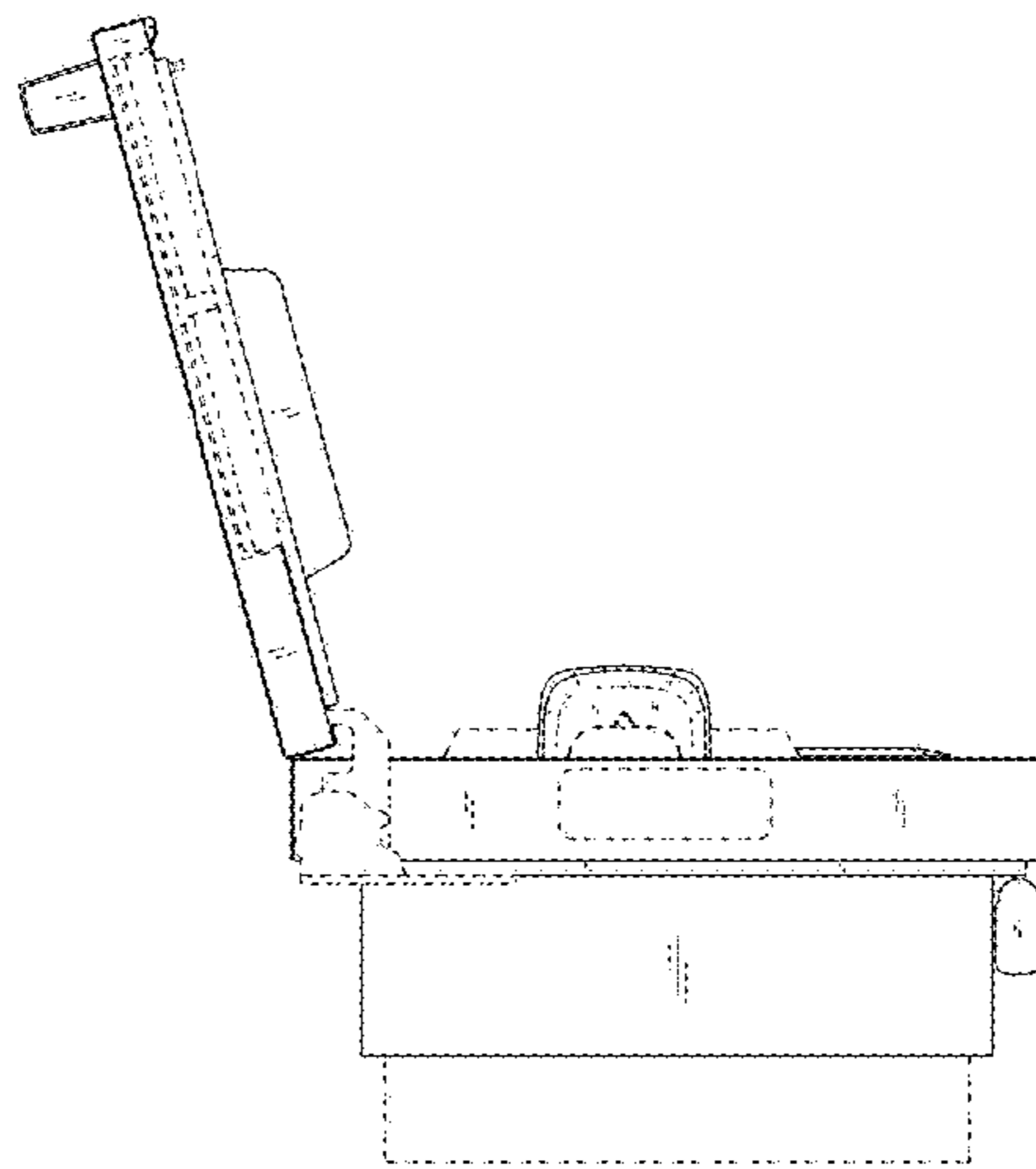


FIG. 8

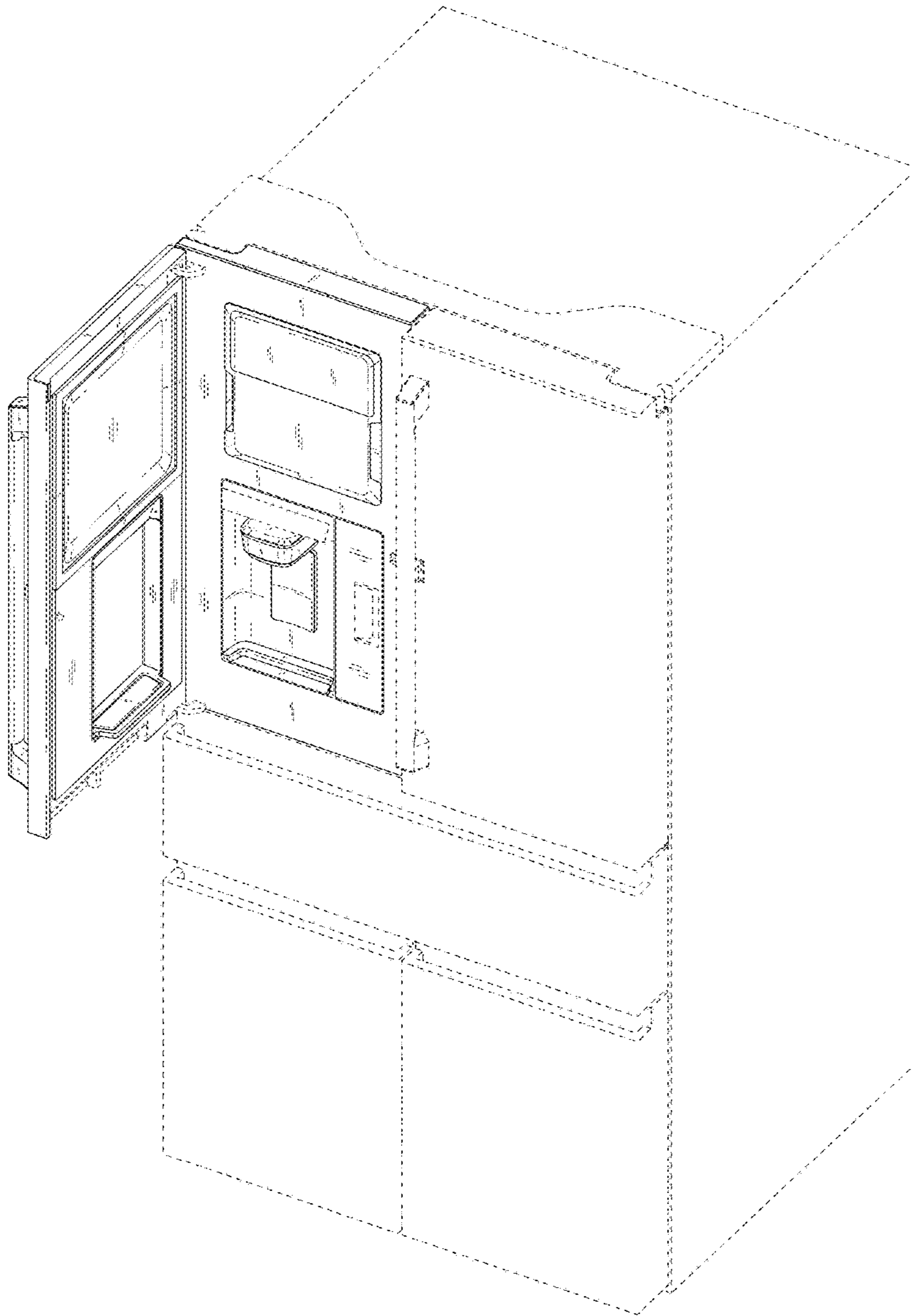


FIG. 9

