



US00D868852S

(12) **United States Design Patent** (10) **Patent No.:** **US D868,852 S**
Lee et al. (45) **Date of Patent:** **** Dec. 3, 2019**

(54) **DOOR FOR REFRIGERATOR**

(56) **References Cited**

(71) Applicant: **SAMSUNG ELECTRONICS CO., LTD.**, Suwon-si, Gyeonggi-do (KR)

(72) Inventors: **Jae-Moon Lee**, Seoul (KR);
Jun-Hyeok Choi, Gyeonggi-Do (KR);
Yoon-Joo Kwon, Seoul (KR); **Sun-Min Lee**, Seoul (KR)

(73) Assignee: **SAMSUNG ELECTRONICS CO., LTD.**, Gyeonggi-Do (KR)

(**) Term: **15 Years**

U.S. PATENT DOCUMENTS

D723,595 S *	3/2015	You	D15/91
D742,942 S	11/2015	McConnell	
D759,132 S	6/2016	Kwon et al.	
D776,173 S *	1/2017	Kim	D15/91
D778,965 S	2/2017	Kim et al.	
D787,572 S *	5/2017	Seo	D15/91
D788,193 S *	5/2017	Seo	D15/91
D788,194 S *	5/2017	Kwak	D15/91
D791,202 S *	7/2017	Kwak	D15/91
D816,736 S *	5/2018	Kim	D15/91
D826,295 S *	8/2018	Lee	D15/91
D852,239 S *	6/2019	Lee	D15/91

(21) Appl. No.: **29/649,970**

FOREIGN PATENT DOCUMENTS

DM 092248 3/2016

(22) Filed: **Jun. 4, 2018**

* cited by examiner

(30) **Foreign Application Priority Data**

Primary Examiner — Khawaja Anwar

Jan. 3, 2018 (KR) 30-2018-0000422

(74) *Attorney, Agent, or Firm* — Cantor Colburn LLP

(51) **LOC (12) Cl.** **15-07**

(57) **CLAIM**

(52) **U.S. Cl.**
USPC **D15/91**

The ornamental design for a door for refrigerator, as shown and described.

(58) **Field of Classification Search**

DESCRIPTION

USPC D15/79-91
CPC F25D 17/065; F25D 2317/061; F25D 2323/023; F25D 23/028; F25D 23/126; F25D 11/02; F25D 2201/126; F25D 2201/1262; F25D 2201/14; F25D 2323/021; F25D 23/02; F25D 23/025; F25D 23/04; F25D 23/062; F25D 23/064; F25D 23/065; F25D 23/067; F25D 2400/361; F25D 25/025; F25D 25/04; F25D 29/005; F25D 29/006; F25D 31/005; F25D 3/06

FIG. 1 is a front perspective view of a door for refrigerator, showing our new design;
FIG. 2 is a front view thereof;
FIG. 3 is a rear view thereof;
FIG. 4 is a side view thereof;
FIG. 5 is another side view thereof;
FIG. 6 is a top view thereof; and,
FIG. 7 is a bottom view thereof.
The broken lines illustrating portions of the door for refrigerator form no part of the claimed design.

See application file for complete search history.

1 Claim, 7 Drawing Sheets

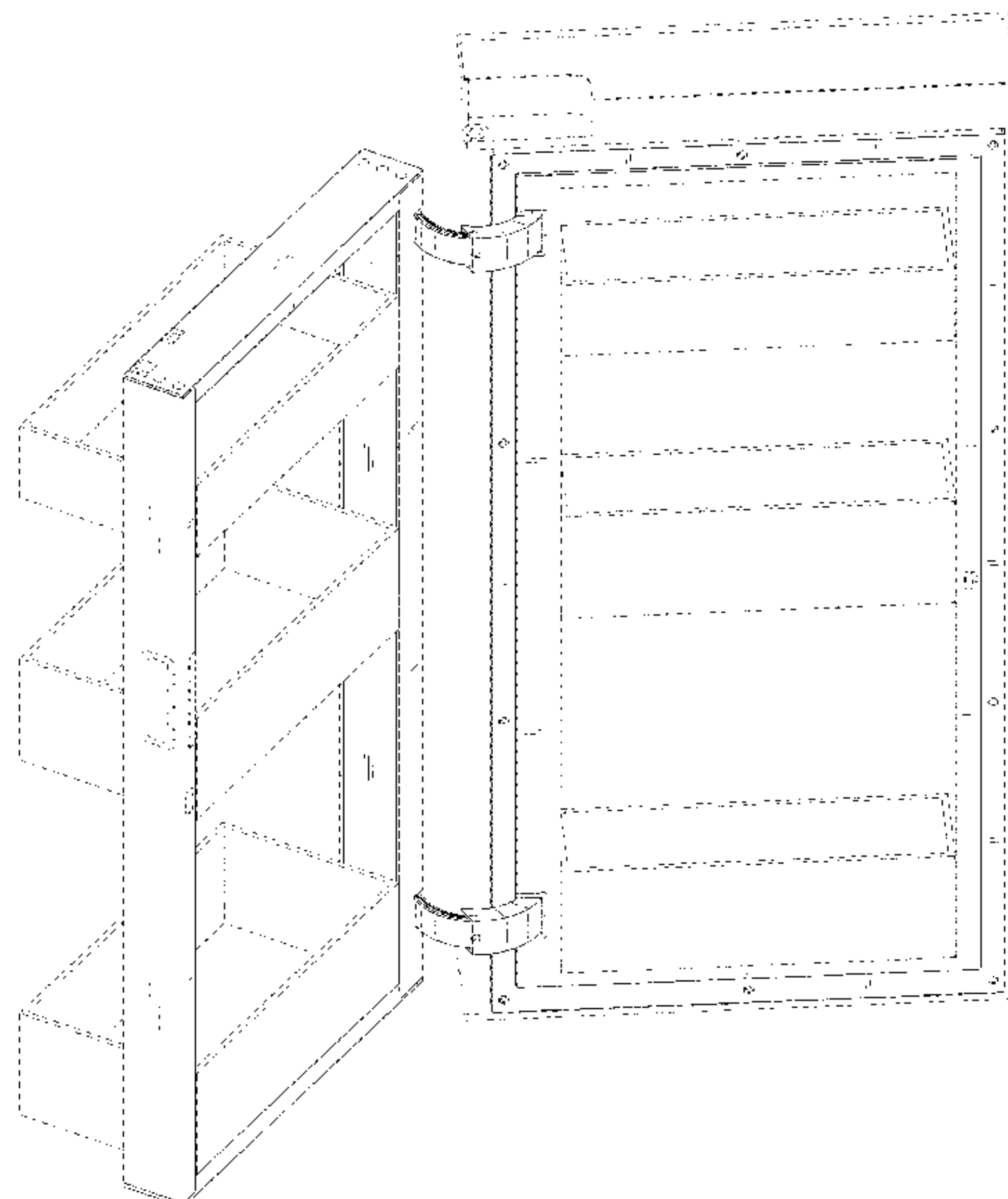


FIG. 1

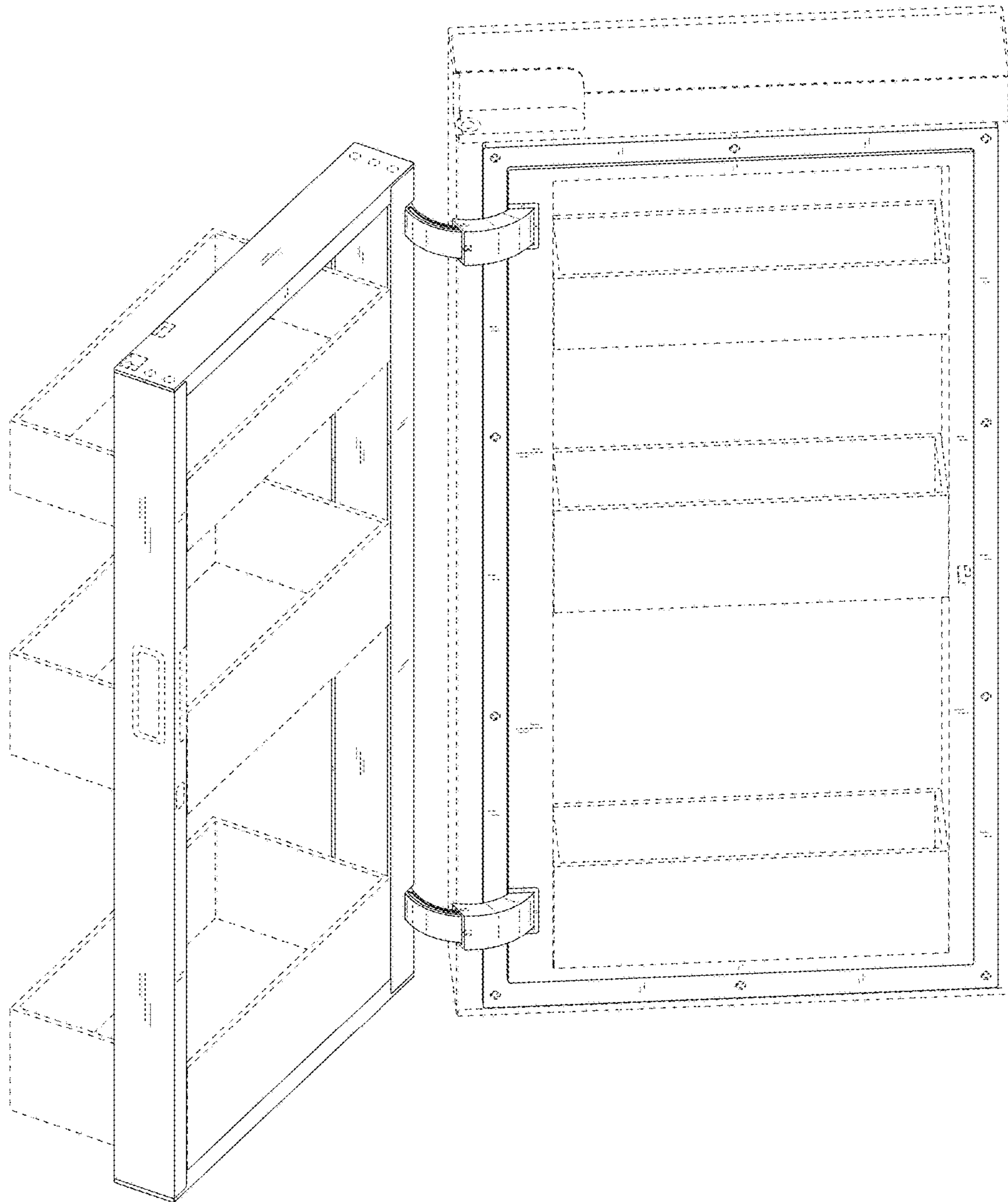


FIG. 2

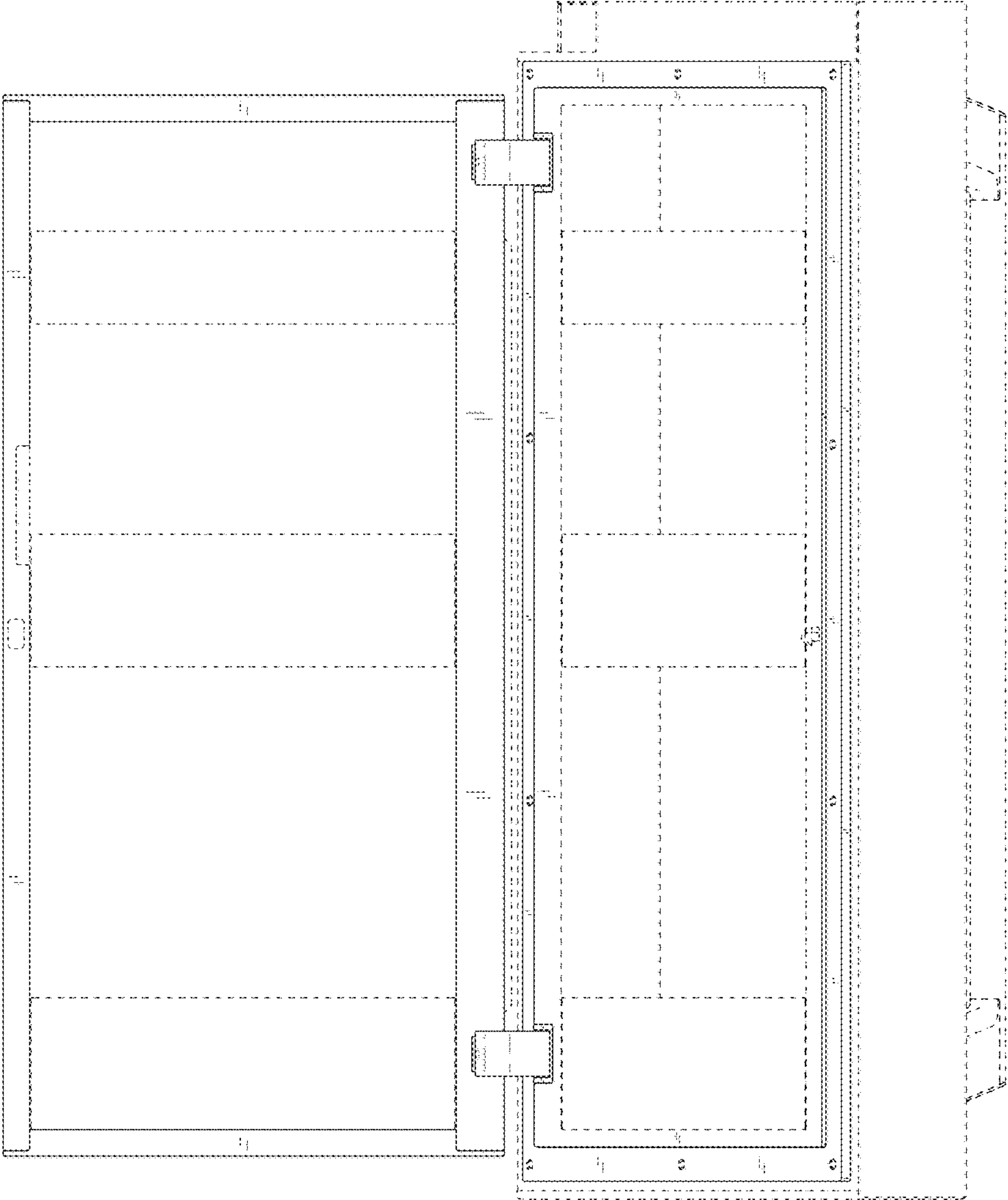


FIG. 3

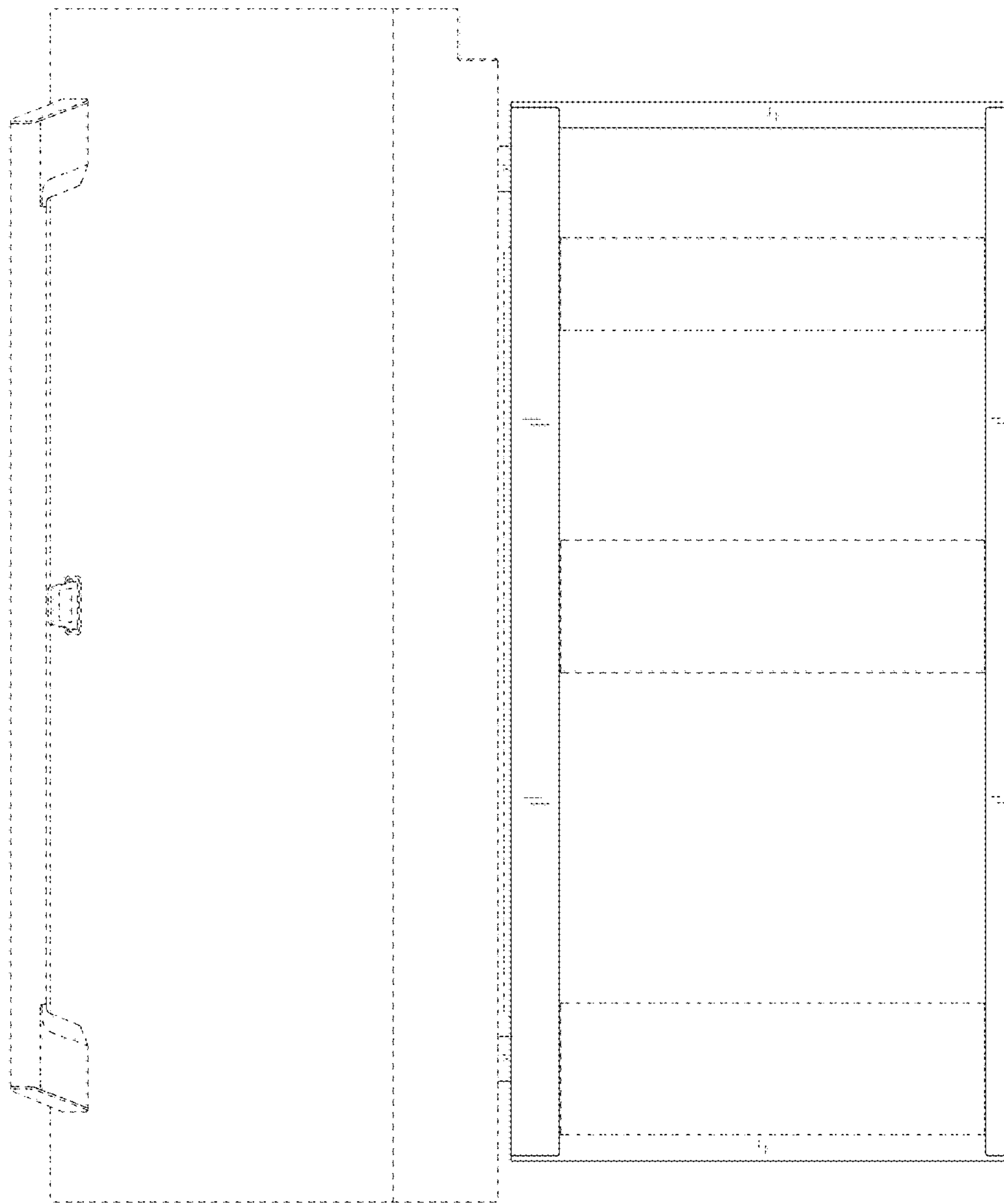


FIG. 4

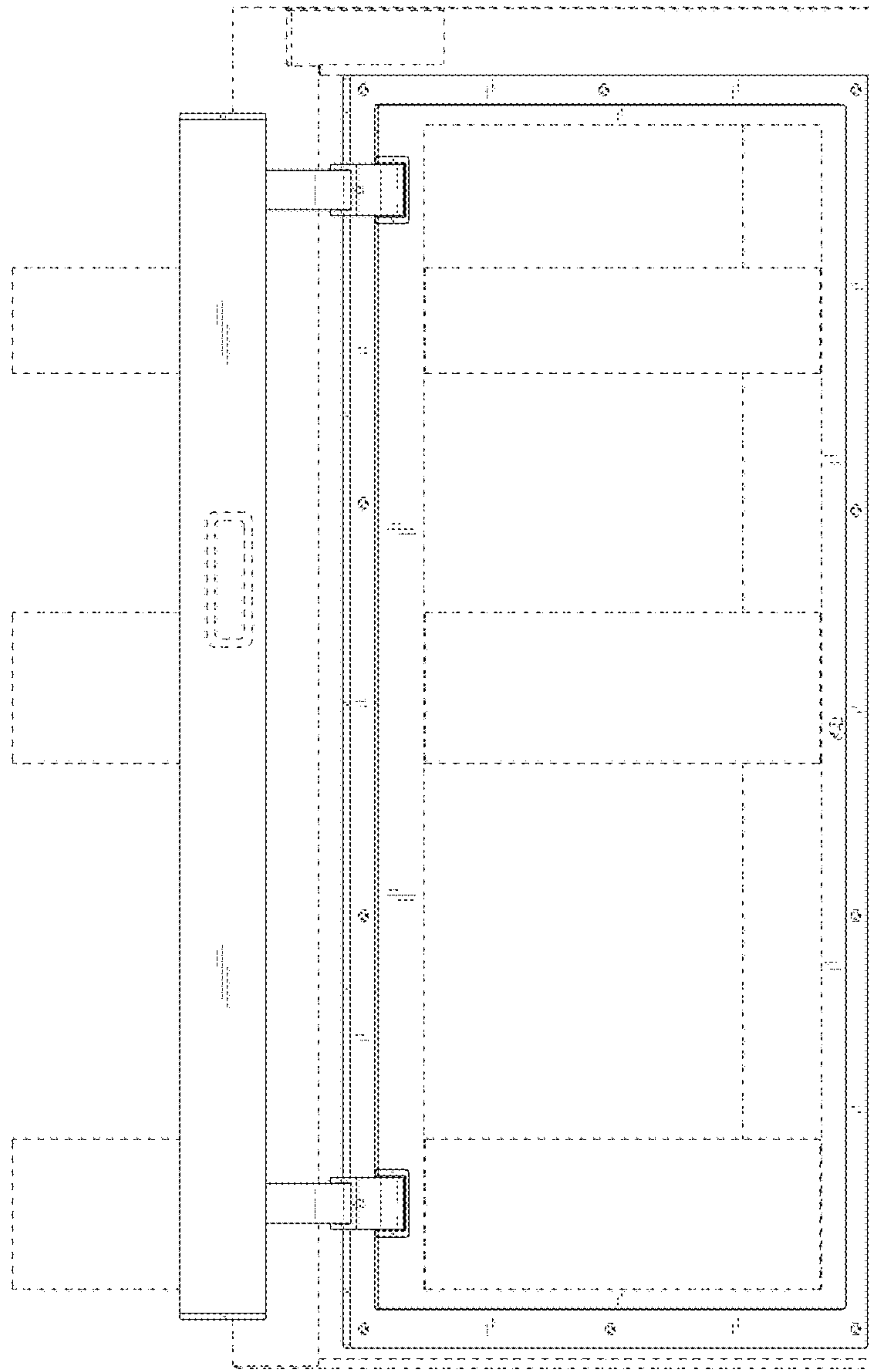


FIG. 5

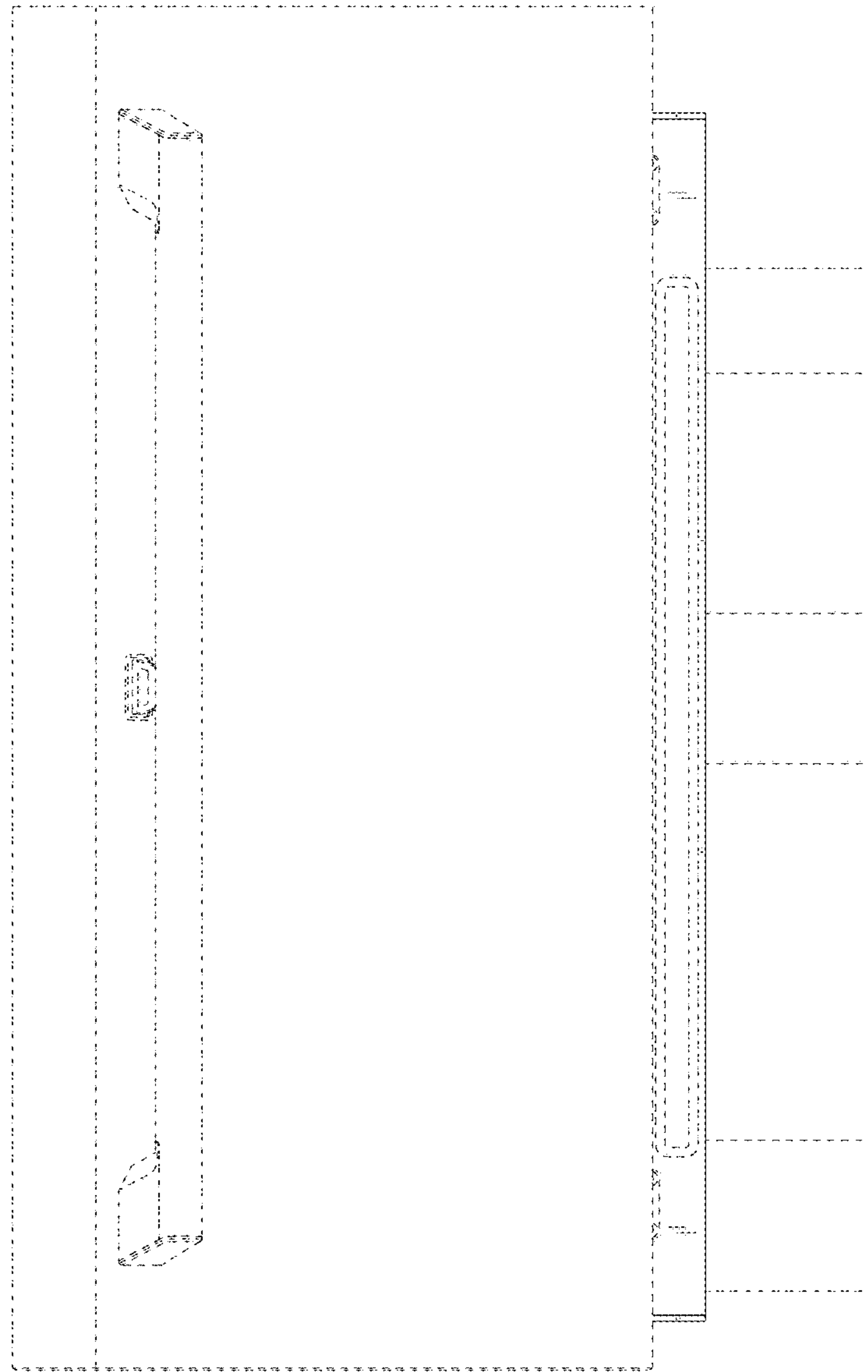


FIG. 6

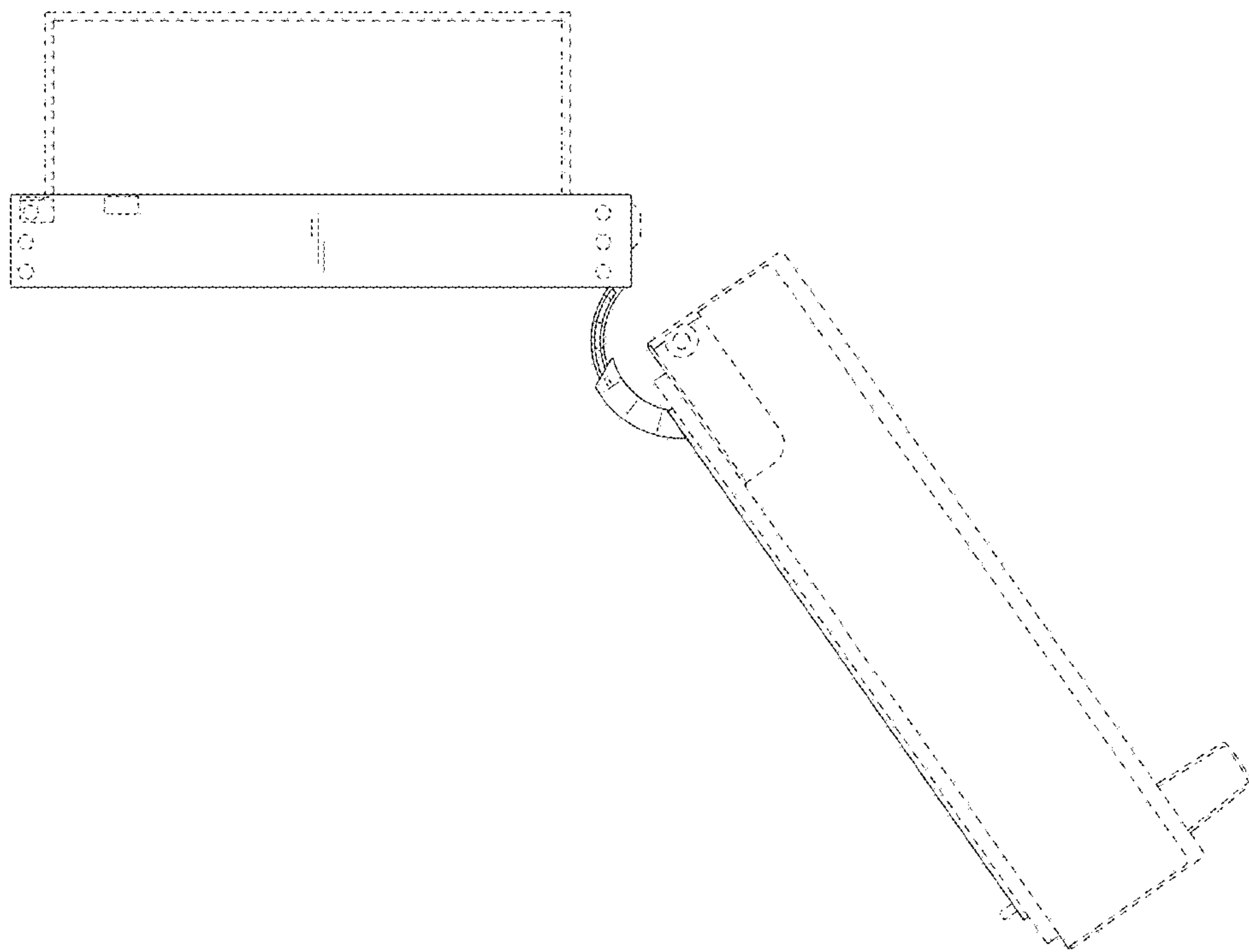


FIG. 7

