



US00D868850S

(12) **United States Design Patent**
Lee et al.

(10) **Patent No.:** **US D868,850 S**
(45) **Date of Patent:** **** Dec. 3, 2019**

(54) **DRAWER FOR REFRIGERATOR**

FOREIGN PATENT DOCUMENTS

(71) Applicant: **SAMSUNG ELECTRONICS CO., LTD.**, Suwon-si (KR)

JP D1537675 10/2015
KR 300432556 12/2006

(Continued)

(72) Inventors: **Jae-Moon Lee**, Seoul (KR);
Jun-Hyeok Choi, Seongnam-si (KR);
Yoon-Joo Kwon, Seoul (KR); **Sun-Min Lee**, Seoul (KR)

Primary Examiner — Khawaja Anwar

(74) *Attorney, Agent, or Firm* — Cantor Colburn LLP

(73) Assignee: **SAMSUNG ELECTRONICS CO., LTD.**, Gyeonggi-Do (KR)

(57) **CLAIM**

The ornamental design for a drawer for refrigerator, as shown and described.

(**) Term: **15 Years**

DESCRIPTION

(21) Appl. No.: **29/650,056**

(22) Filed: **Jun. 4, 2018**

(30) **Foreign Application Priority Data**

Jan. 3, 2018 (KR) 30-2018-0000418

(51) **LOC (12) Cl.** **15-07**

(52) **U.S. Cl.**
USPC **D15/89**

(58) **Field of Classification Search**

USPC D15/79-91
CPC F25D 17/065; F25D 2317/061; F25D 2323/023; F25D 23/028; F25D 23/126; F25D 11/02; F25D 2201/126; F25D 2201/1262; F25D 2201/14; F25D 2323/021; F25D 23/02; F25D 23/025; F25D 23/04;

(Continued)

(56) **References Cited**

U.S. PATENT DOCUMENTS

D676,468 S * 2/2013 Lee D15/89
D710,404 S * 8/2014 Park D15/89

(Continued)

FIG. 1 is a perspective view of a drawer for refrigerator, showing our design;

FIG. 2 is a front view thereof;

FIG. 3 is a rear view thereof;

FIG. 4 is a side view thereof;

FIG. 5 is another side view thereof;

FIG. 6 is a top view thereof;

FIG. 7 is a bottom view thereof;

FIG. 8 is a perspective view thereof in an alternate position;

FIG. 9 is a front view thereof;

FIG. 10 is a rear view thereof;

FIG. 11 is a left-side view thereof;

FIG. 12 is a right-side view thereof;

FIG. 13 is a top plan view thereof;

FIG. 14 is a bottom plan view thereof;

FIG. 15 is a cross sectional view taken along line 15'-15 in FIG. 2;

FIG. 16 is a cross sectional view taken along line 16'-16 in FIG. 9; and,

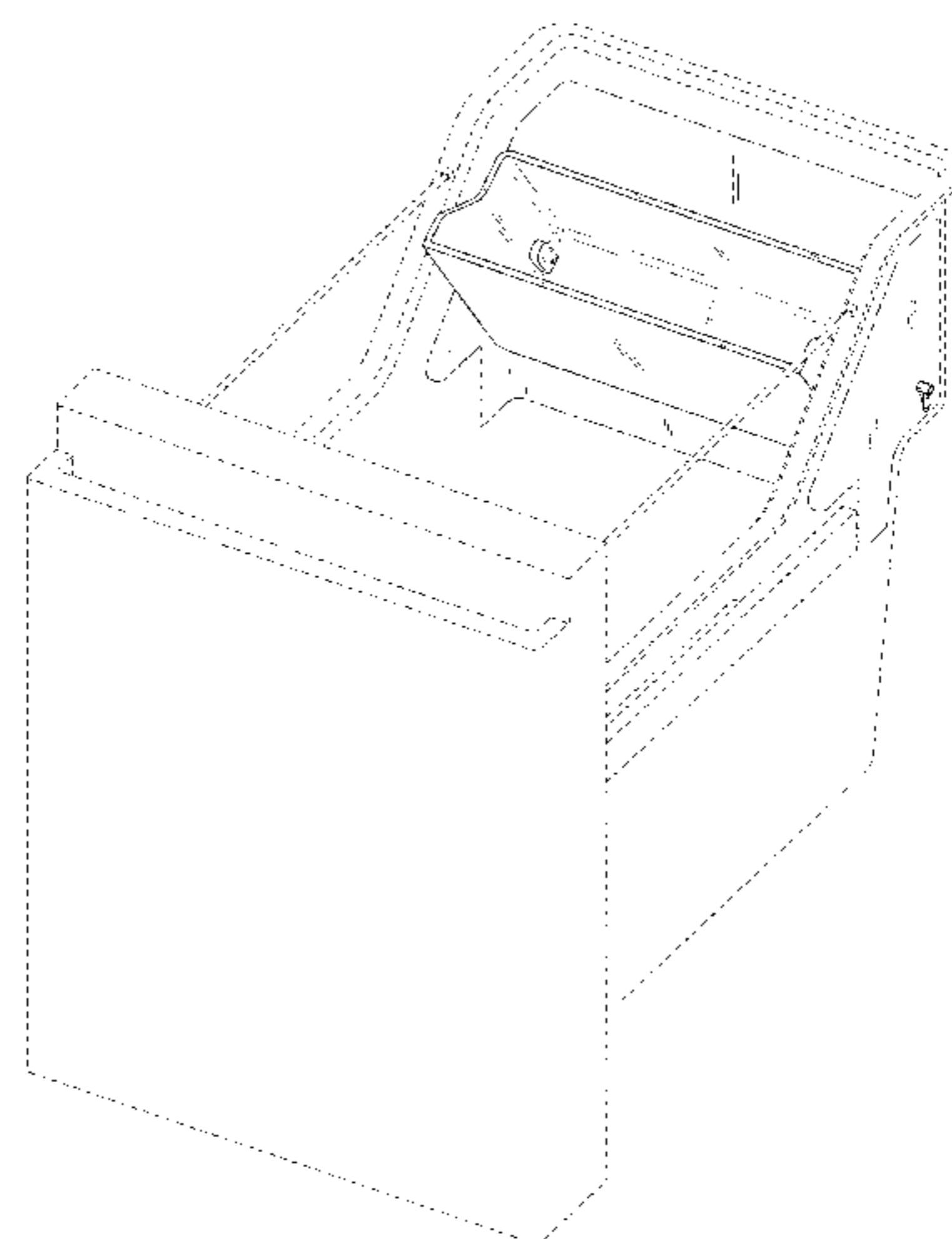
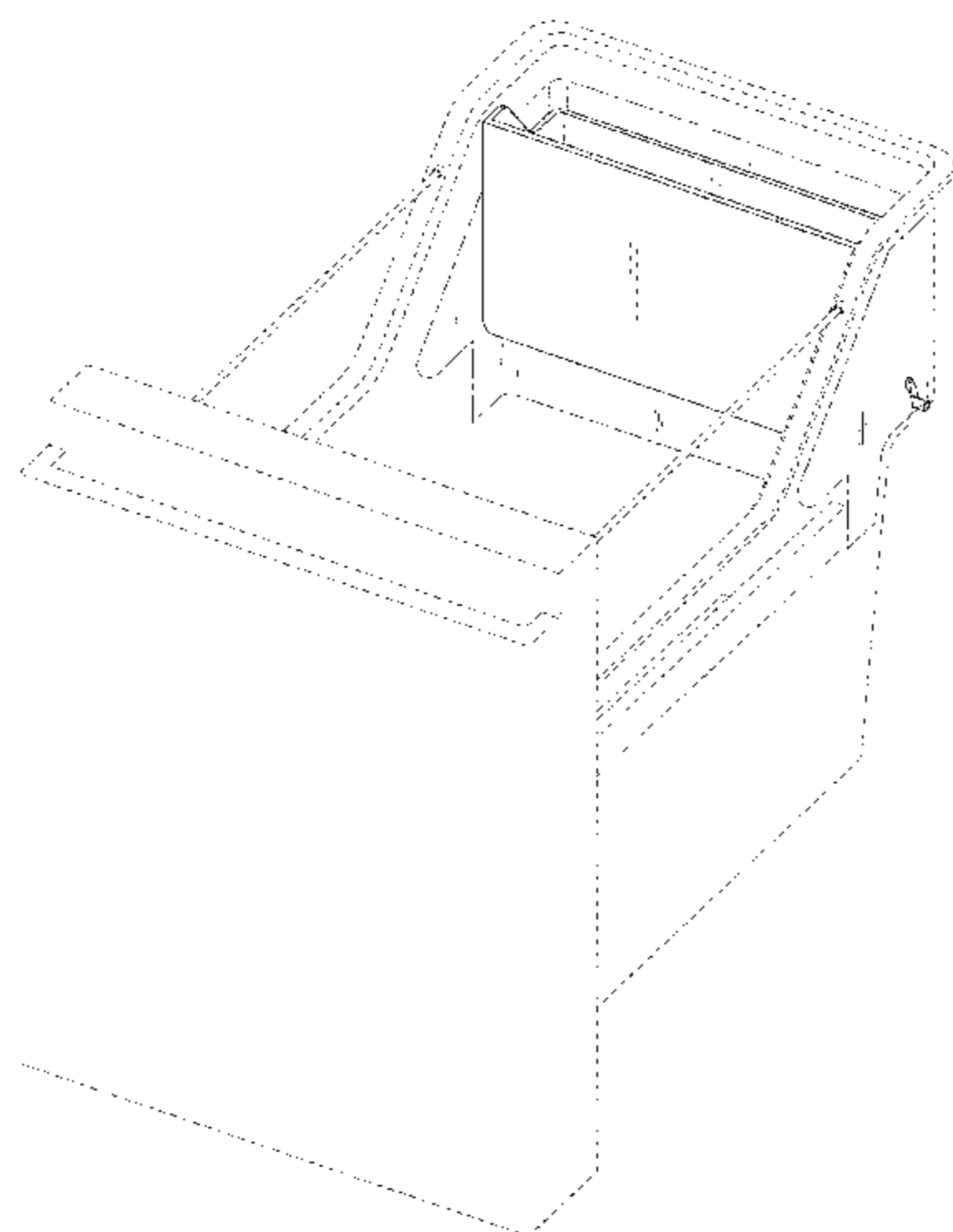
FIG. 17 is another front perspective view thereof in an alternate position in the refrigerator environment.

The even-dash broken lines illustrating portions of the drawer for refrigerator form no part of the claimed design.

The even-dash broken lines illustrating the refrigerator environment form no part of the claimed design. The dot-dash broken lines in the figures represent a boundary line and

form no part of the claimed design.

1 Claim, 17 Drawing Sheets



(58) **Field of Classification Search**

CPC F25D 23/062; F25D 23/064; F25D 23/065;
F25D 23/067; F25D 2400/361; F25D
25/025; F25D 25/04; F25D 29/005; F25D
29/006; F25D 31/005; F25D 3/06

See application file for complete search history.

(56) **References Cited**

U.S. PATENT DOCUMENTS

D710,406 S *	8/2014	Seo	D15/89
D724,118 S *	3/2015	Kim	D15/89
D730,954 S *	6/2015	Choi	D15/89
D742,942 S	11/2015	McConnell	
D744,547 S *	12/2015	Jeon	D15/89
D745,581 S *	12/2015	Jeon	D15/89
D769,652 S *	10/2016	Poniatowski	D6/675.4
D781,625 S *	3/2017	Poniatowski	D6/683

FOREIGN PATENT DOCUMENTS

KR	300451017	5/2007
KR	300782826	2/2015

* cited by examiner

FIG. 1

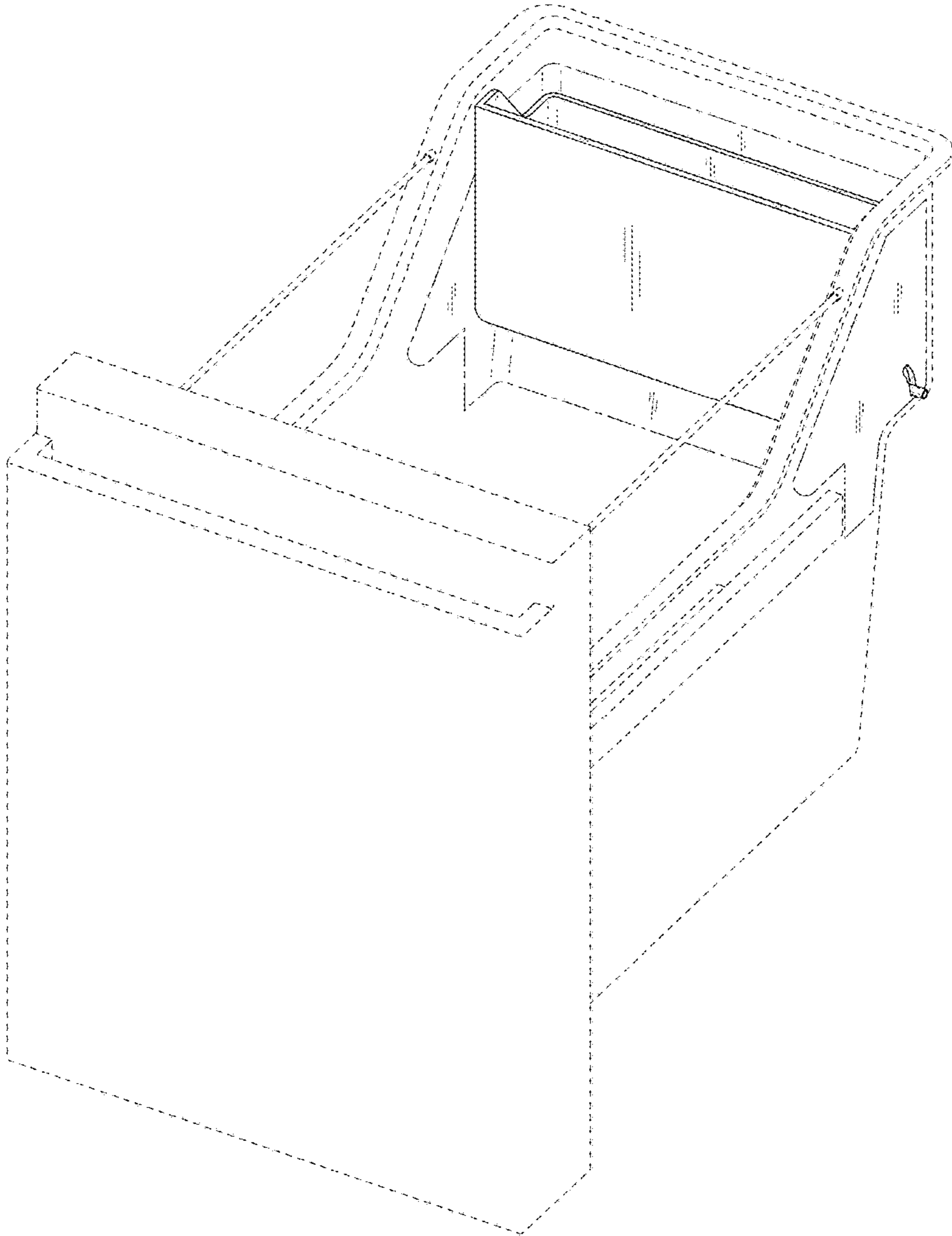


FIG. 2

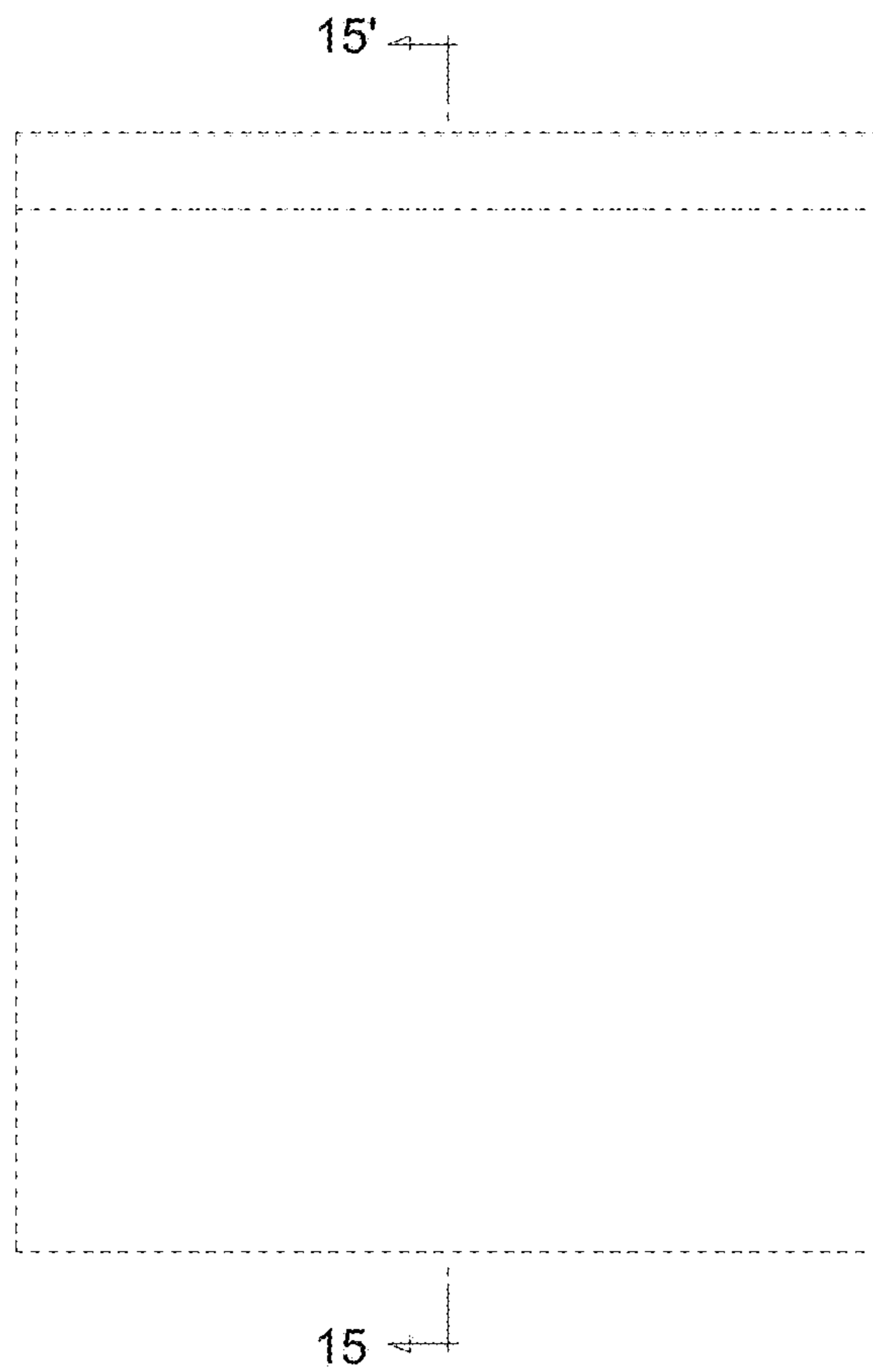


FIG. 3

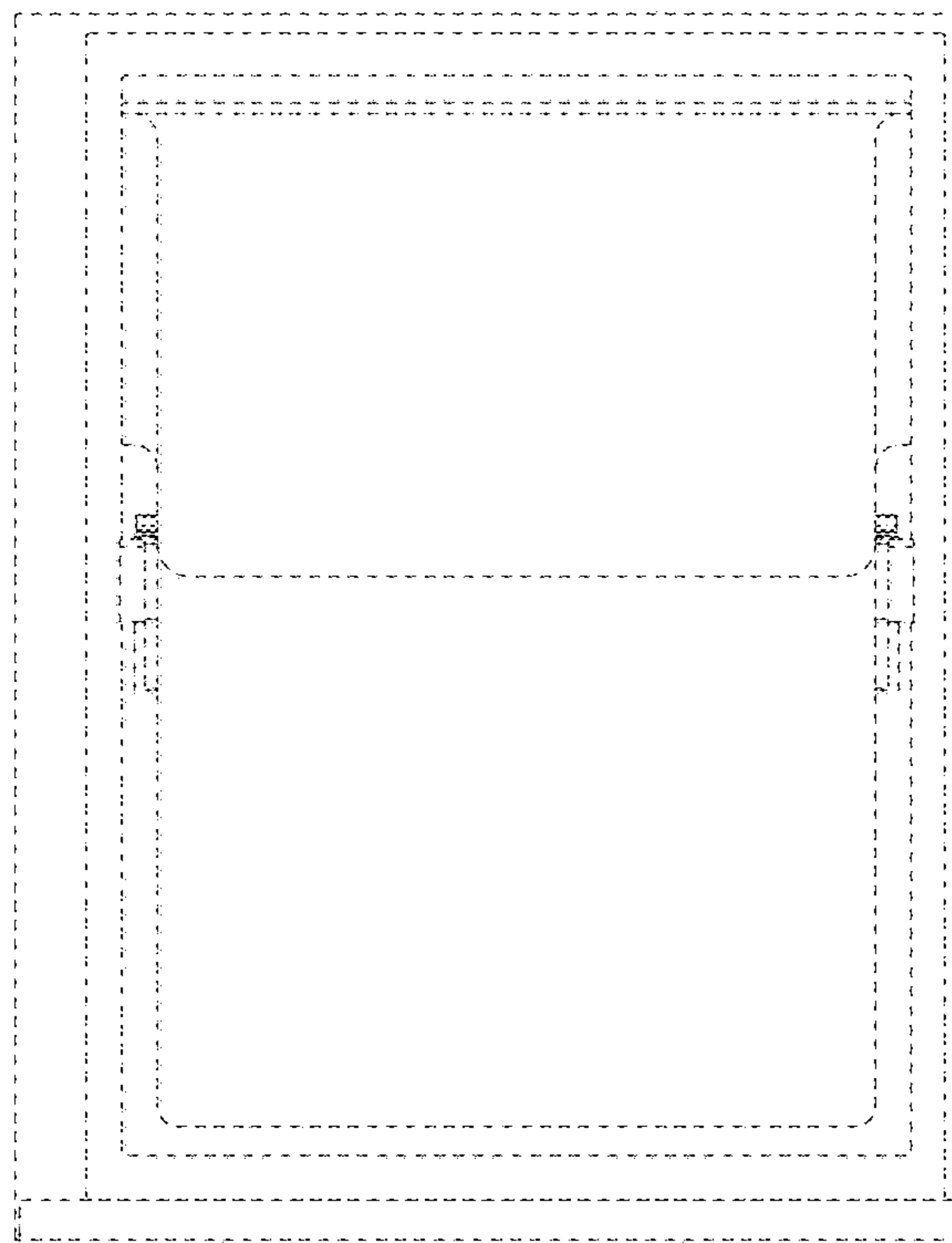


FIG. 4

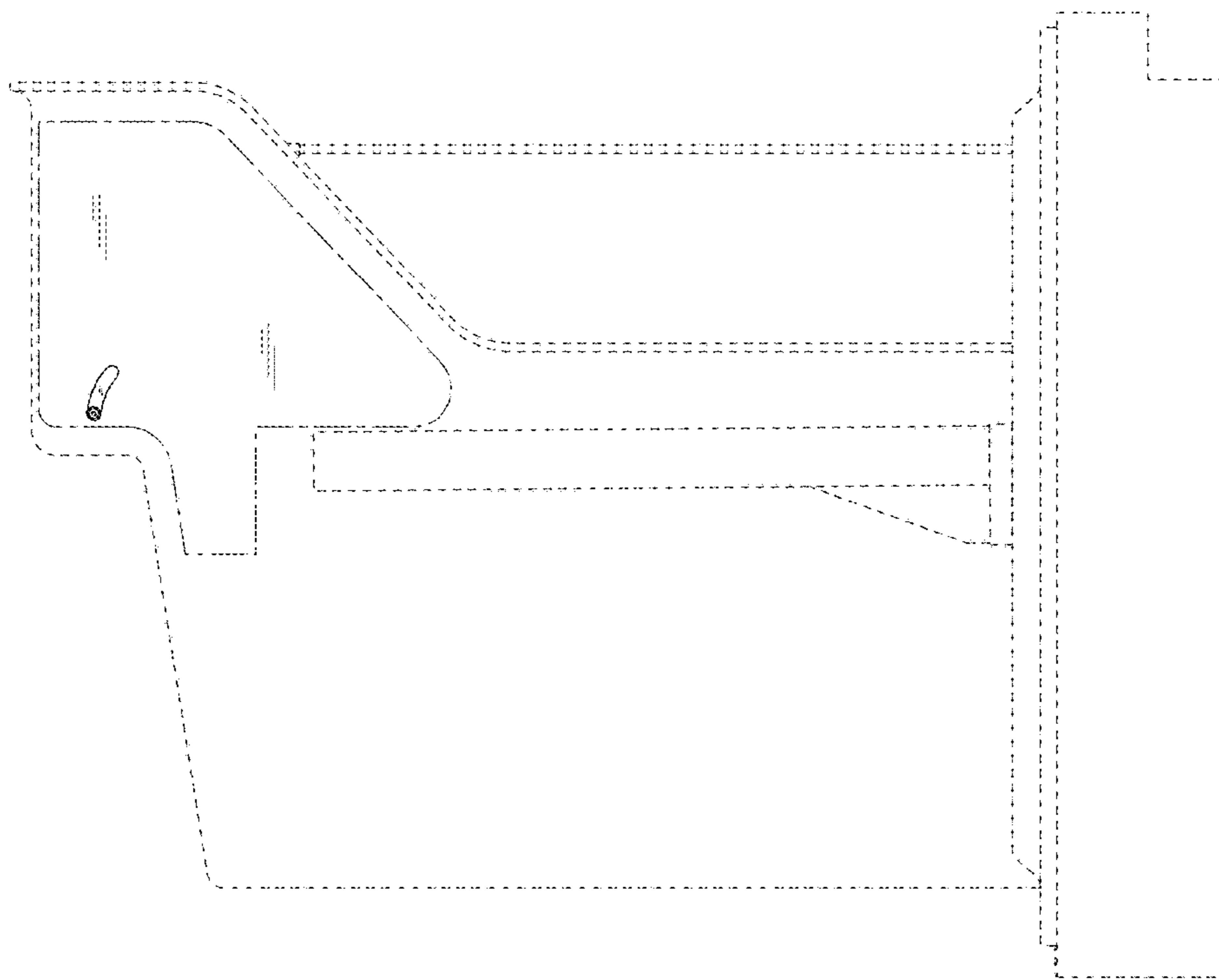


FIG. 5

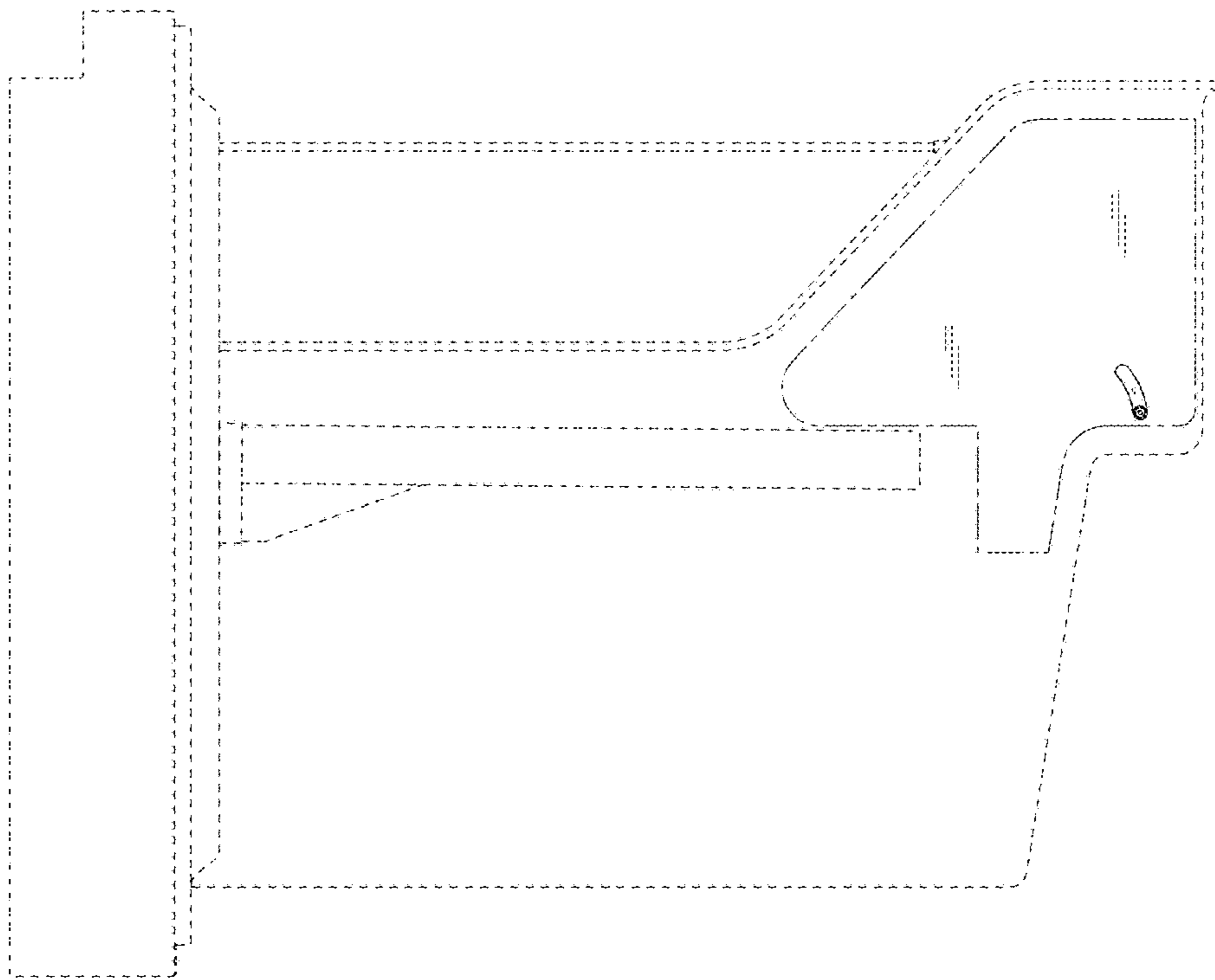


FIG. 6

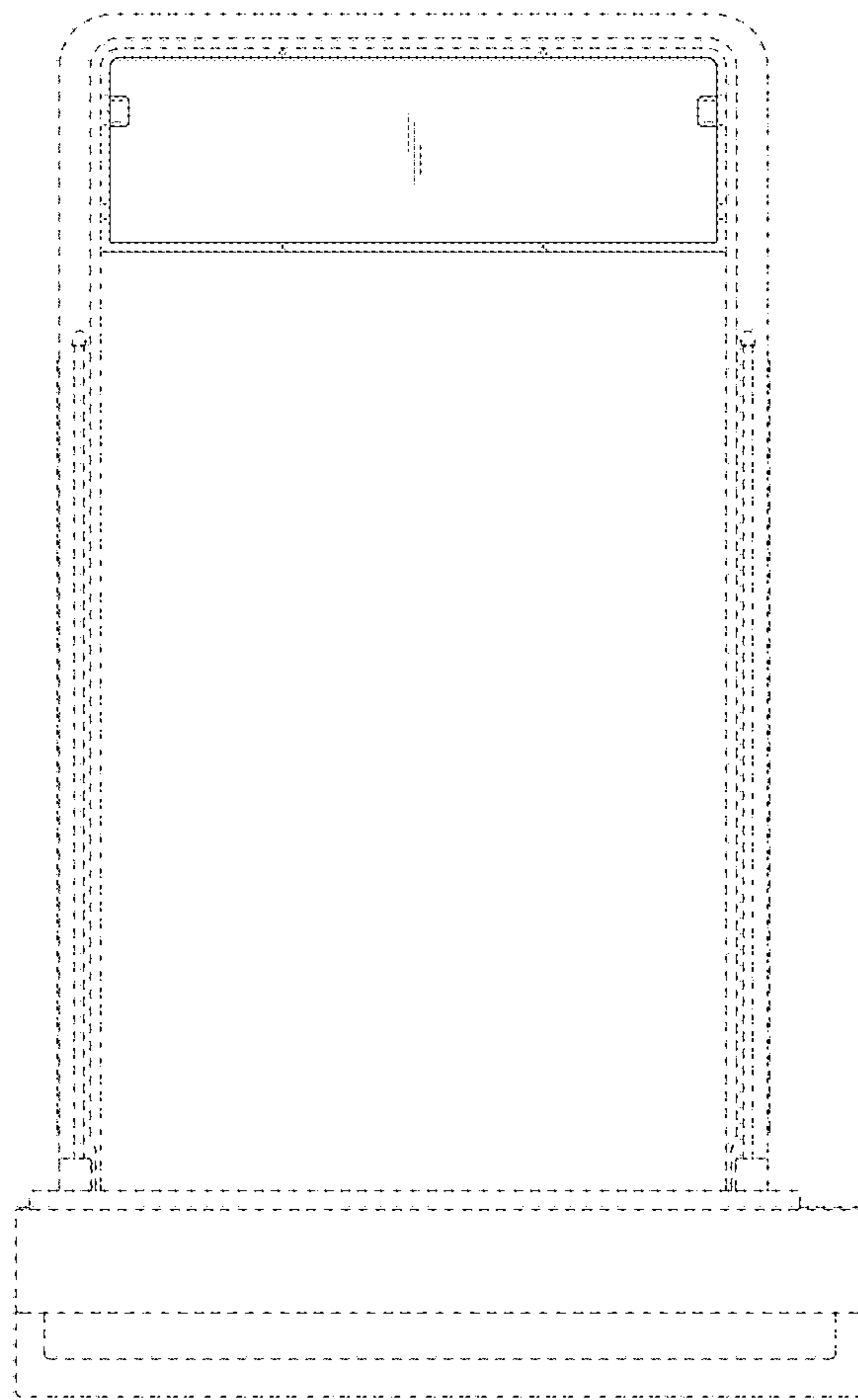


FIG. 7

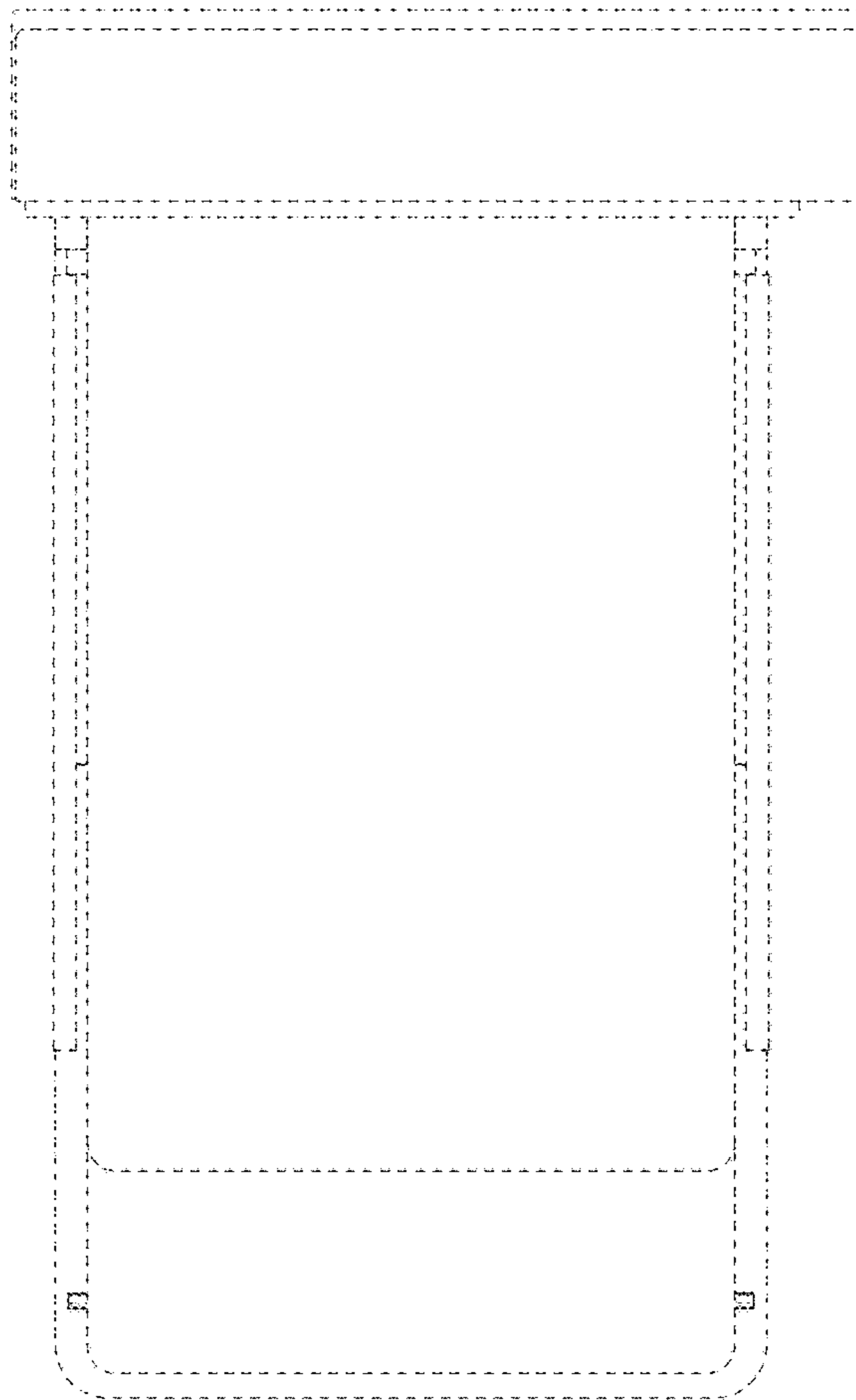


FIG. 8

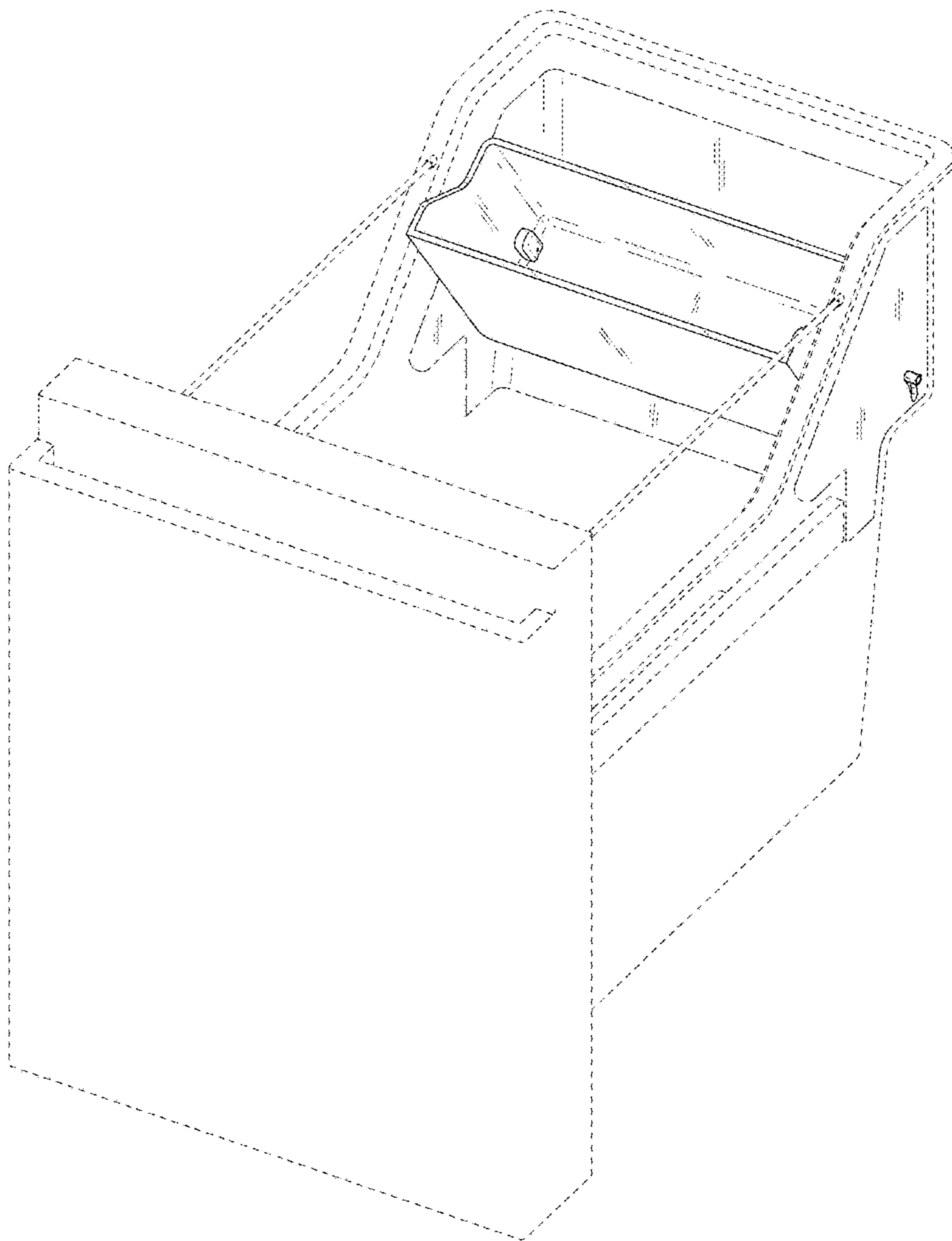


FIG. 9



FIG. 10

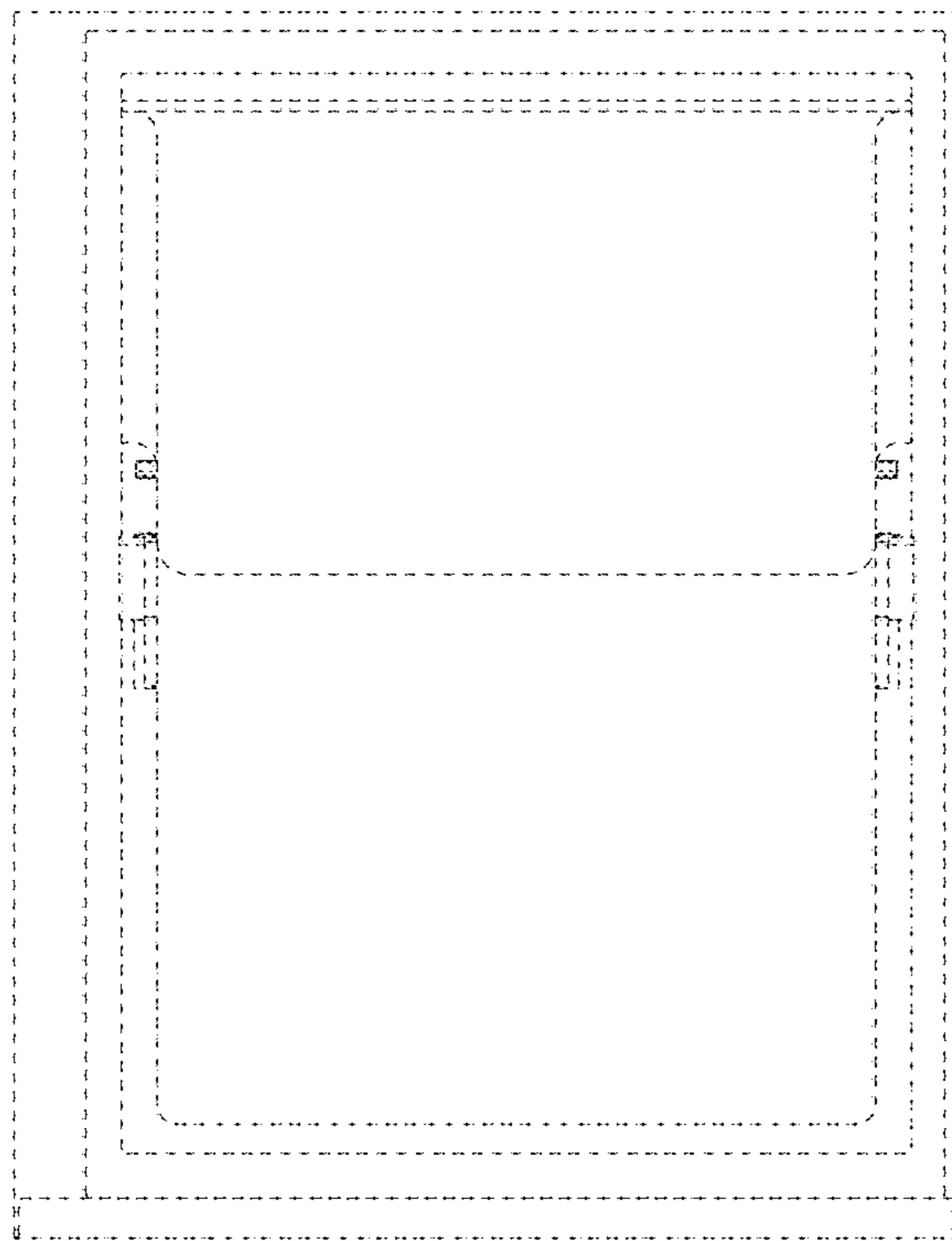


FIG. 11

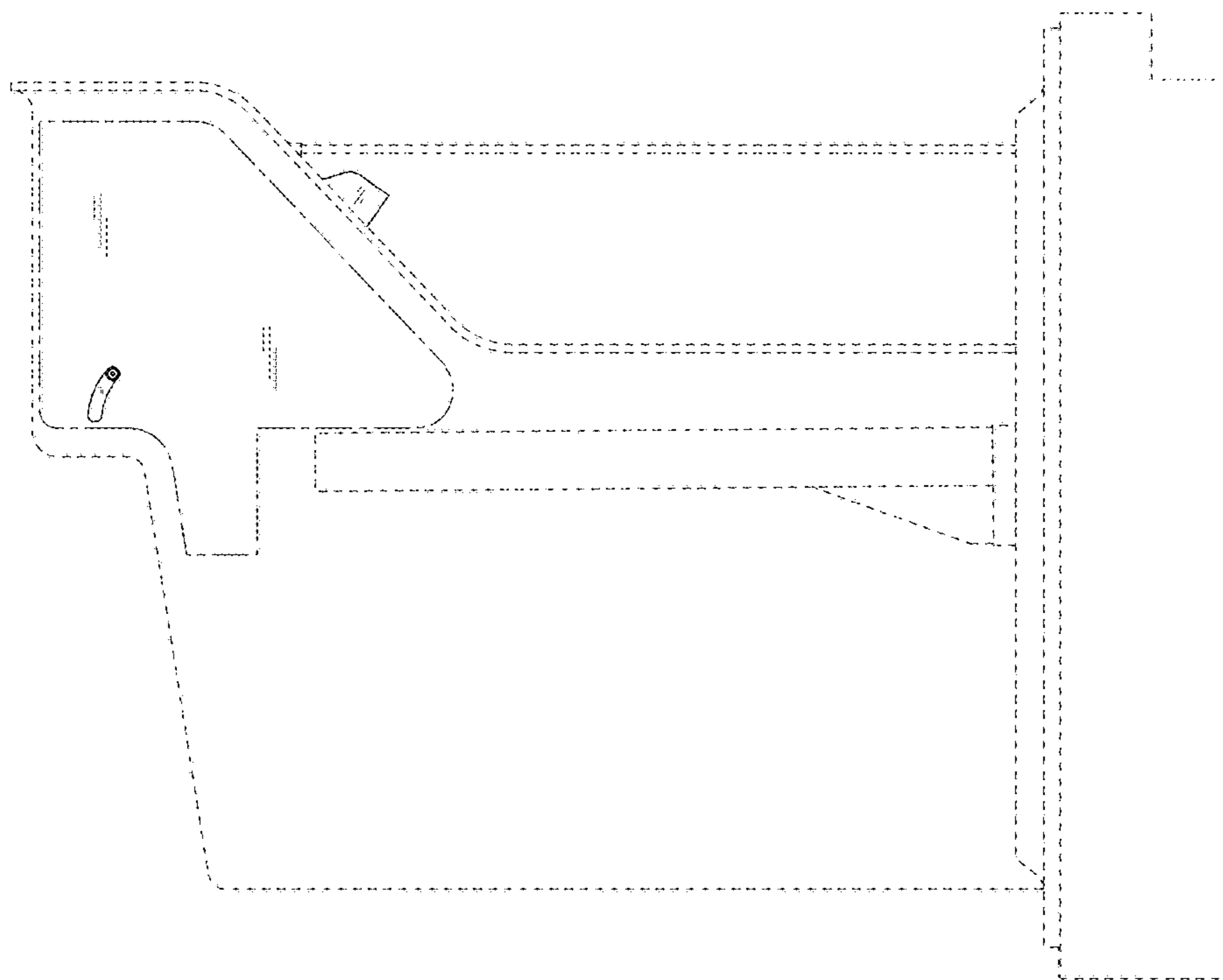


FIG. 12

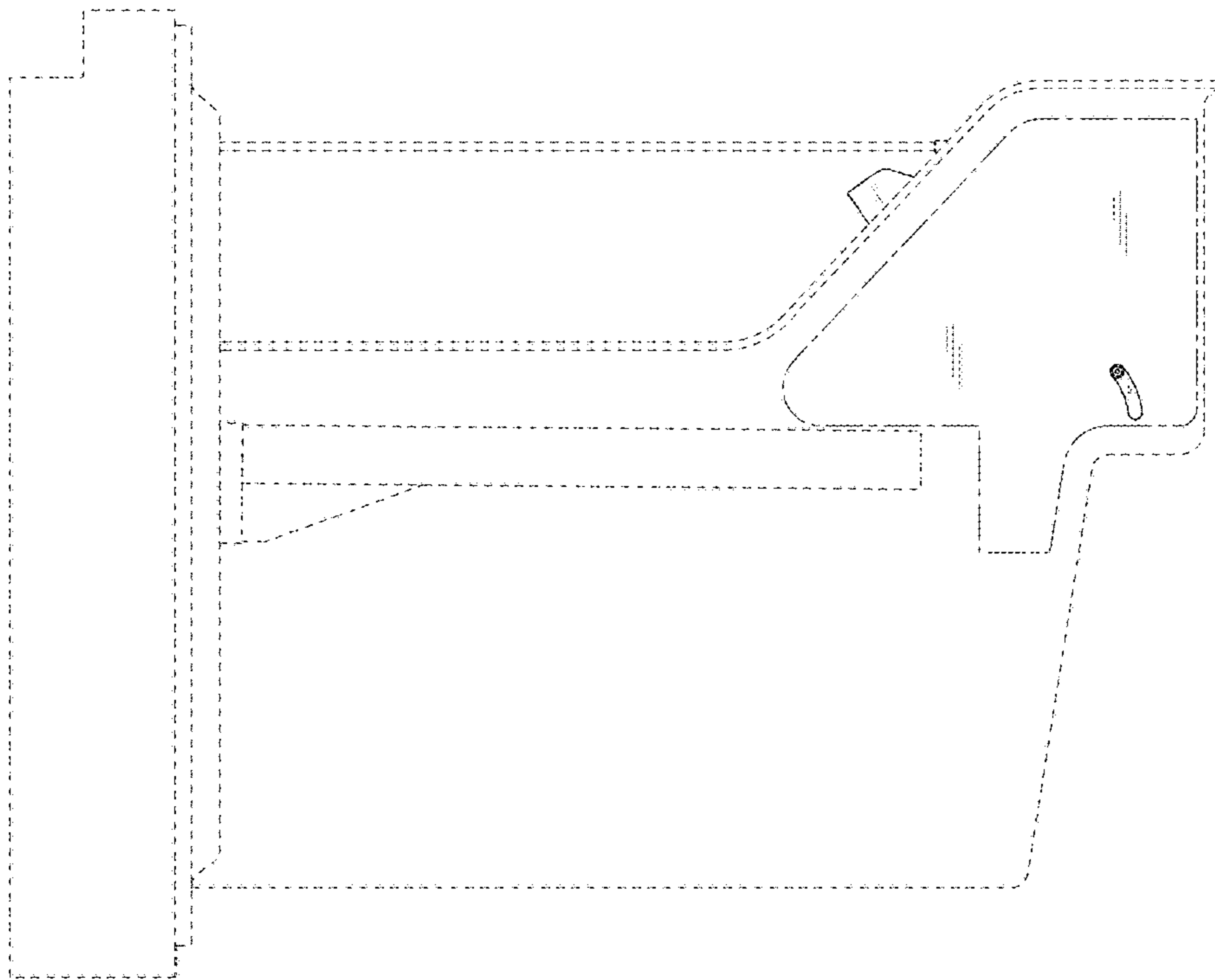


FIG. 13

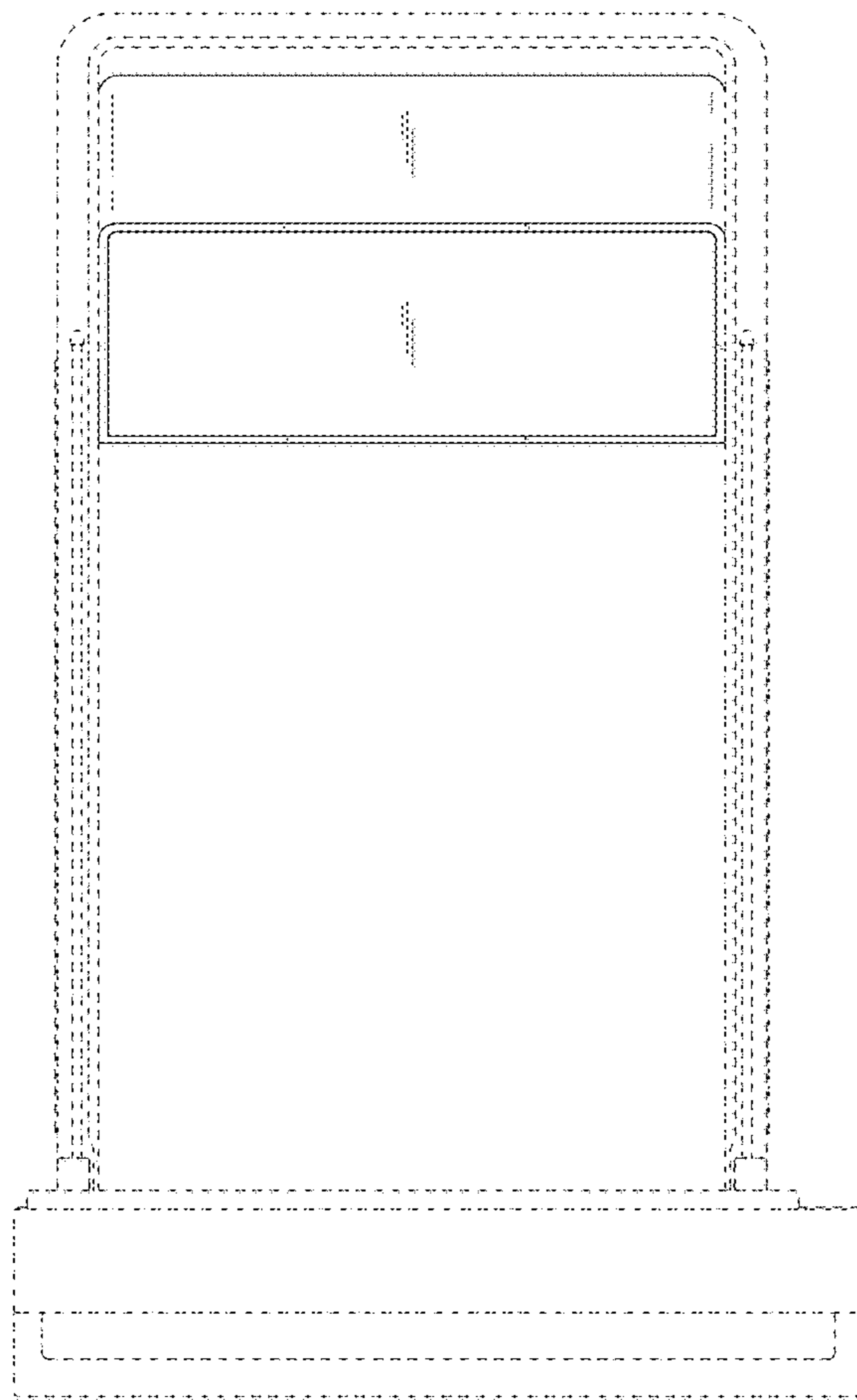


FIG. 14

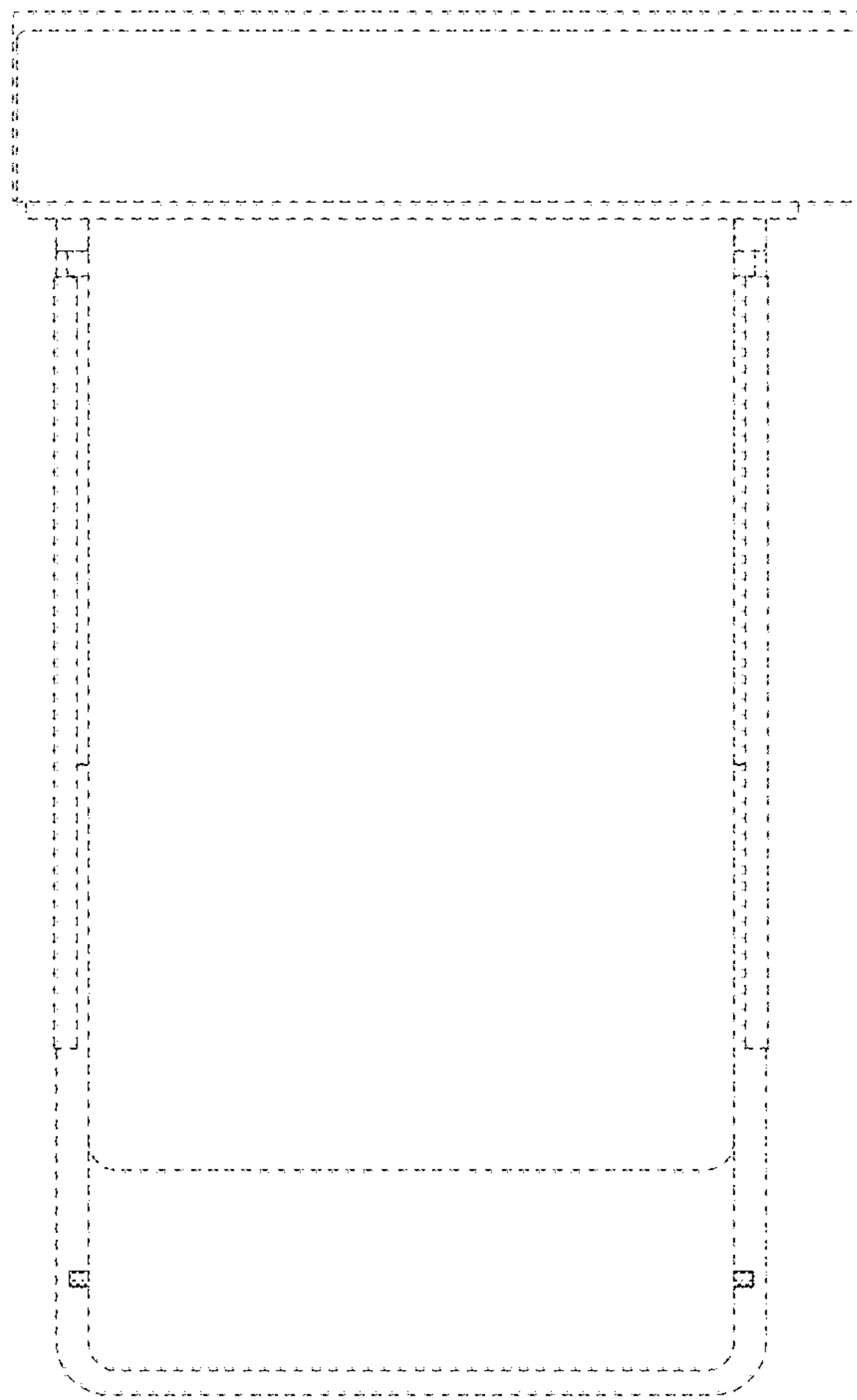


FIG. 15

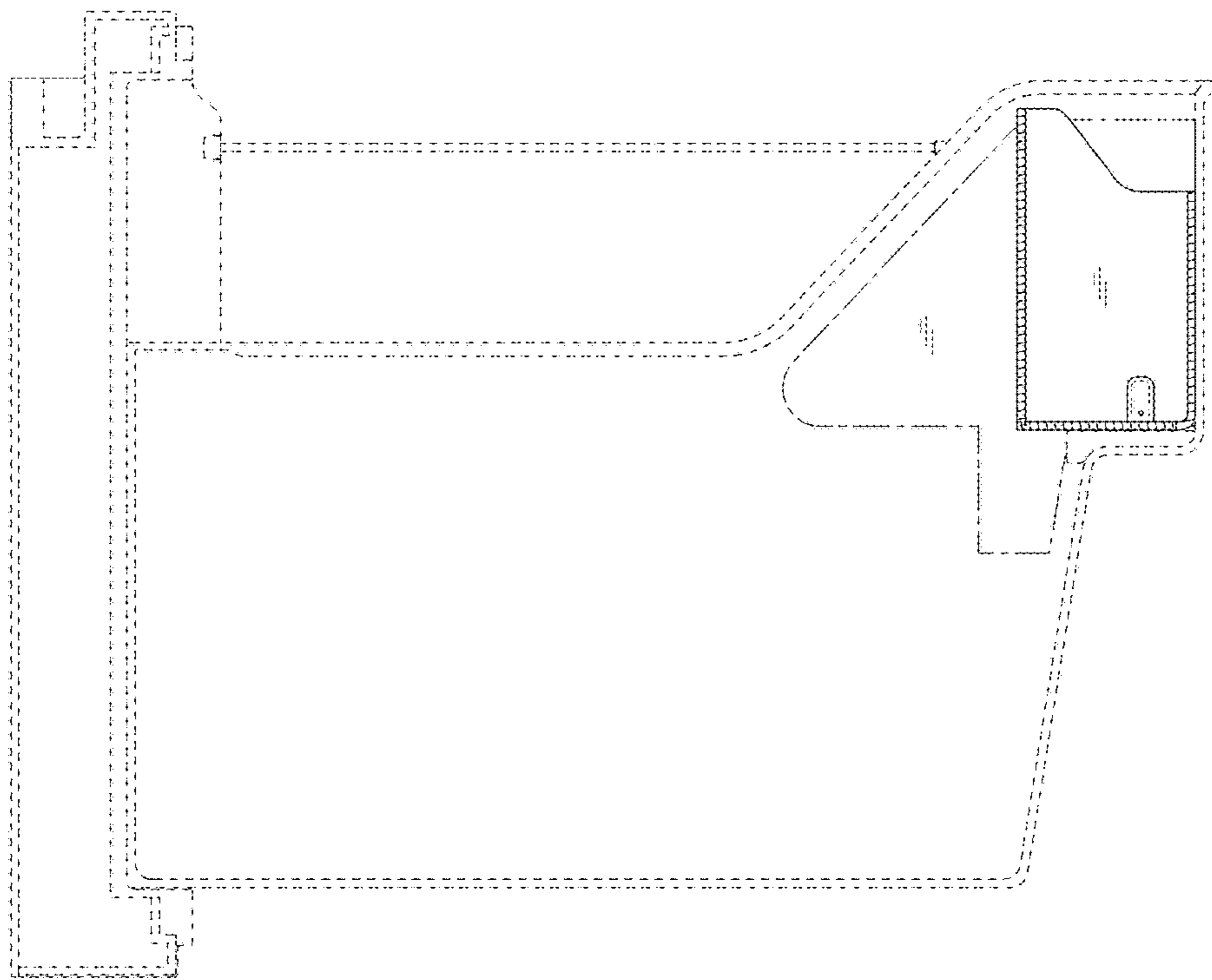


FIG. 16

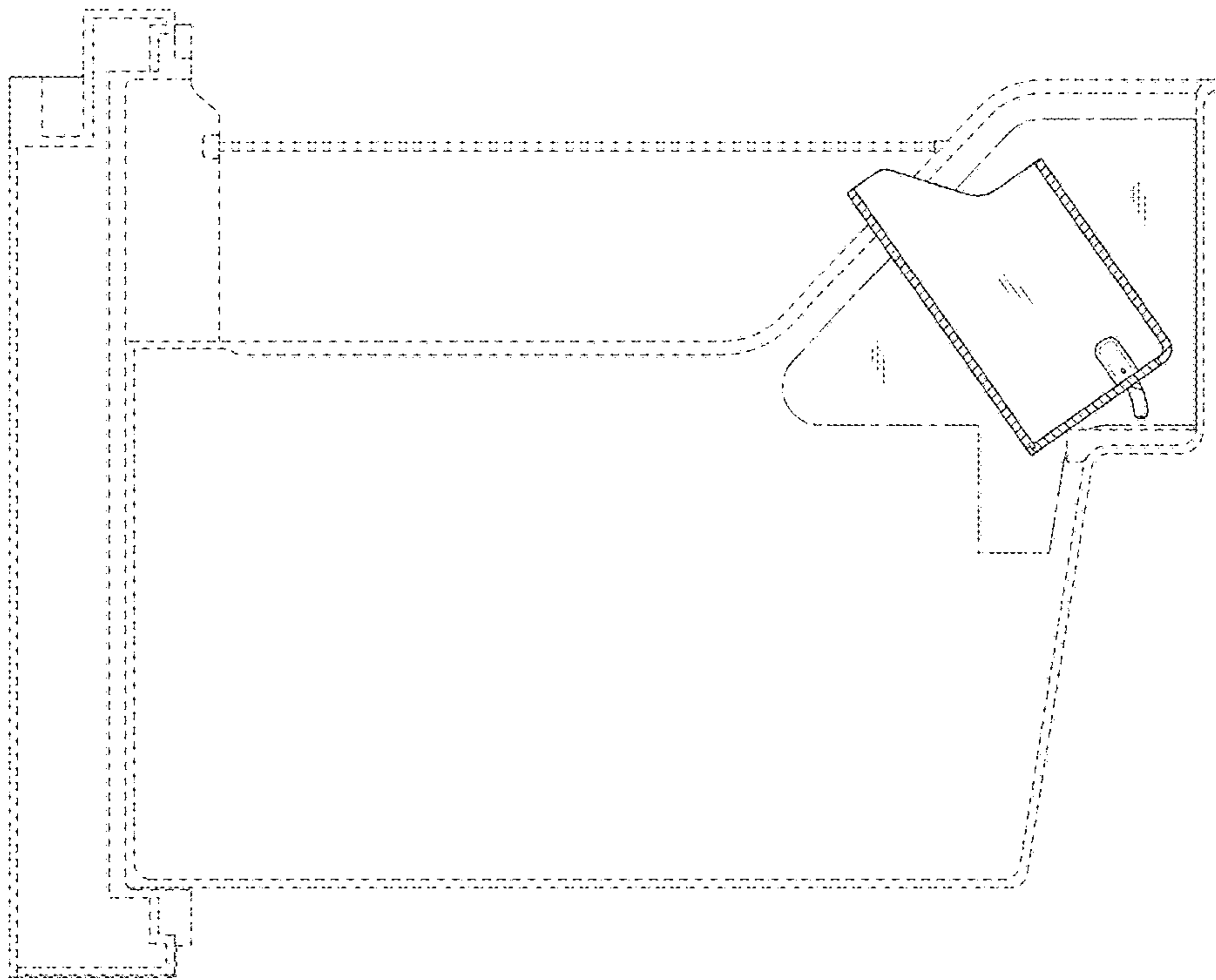


FIG. 17

