



US00D868846S

(12) **United States Design Patent**
Pless et al.

(10) **Patent No.:** **US D868,846 S**

(45) **Date of Patent:** **** Dec. 3, 2019**

(54) **SEWING MACHINE**

(71) Applicant: **Strobel Spezialmaschinen GmbH,**
Puchheim (DE)

(72) Inventors: **Robert Pless, Gröbenzell (DE);**
Ludwig Schnabl, Vierkirchen (DE)

(73) Assignee: **STROBEL SPEZIALMASCHINEN**
GMBH, Puchheim (DE)

(**) Term: **15 Years**

(21) Appl. No.: **29/663,860**

(22) Filed: **Sep. 19, 2018**

(30) **Foreign Application Priority Data**

May 3, 2018 (EM) 005256641

(51) **LOC (12) Cl.** **15-06**

(52) **U.S. Cl.**
USPC **D15/69**

(58) **Field of Classification Search**
USPC D15/66-78
CPC D05B 1/00-25/00
See application file for complete search history.

(56) **References Cited**

U.S. PATENT DOCUMENTS

2,169,528 A * 8/1939 Heffron D05B 81/00
112/169
5,540,160 A * 7/1996 Rea A47C 9/022
112/217.2

D379,357 S * 5/1997 Kato D15/69
D467,595 S * 12/2002 Shimizu D15/72
D477,334 S * 7/2003 Shimizu D15/66
D482,047 S * 11/2003 Shimizu D15/72
D482,048 S * 11/2003 Shimizu D15/72
D482,372 S * 11/2003 Shimizu D15/72
6,814,014 B2 * 11/2004 Mamiya D05B 1/02
112/102.5

* cited by examiner

Primary Examiner — Mitchell I. Siegel

(74) *Attorney, Agent, or Firm* — Tarter Krinsky & Drogin
LLP

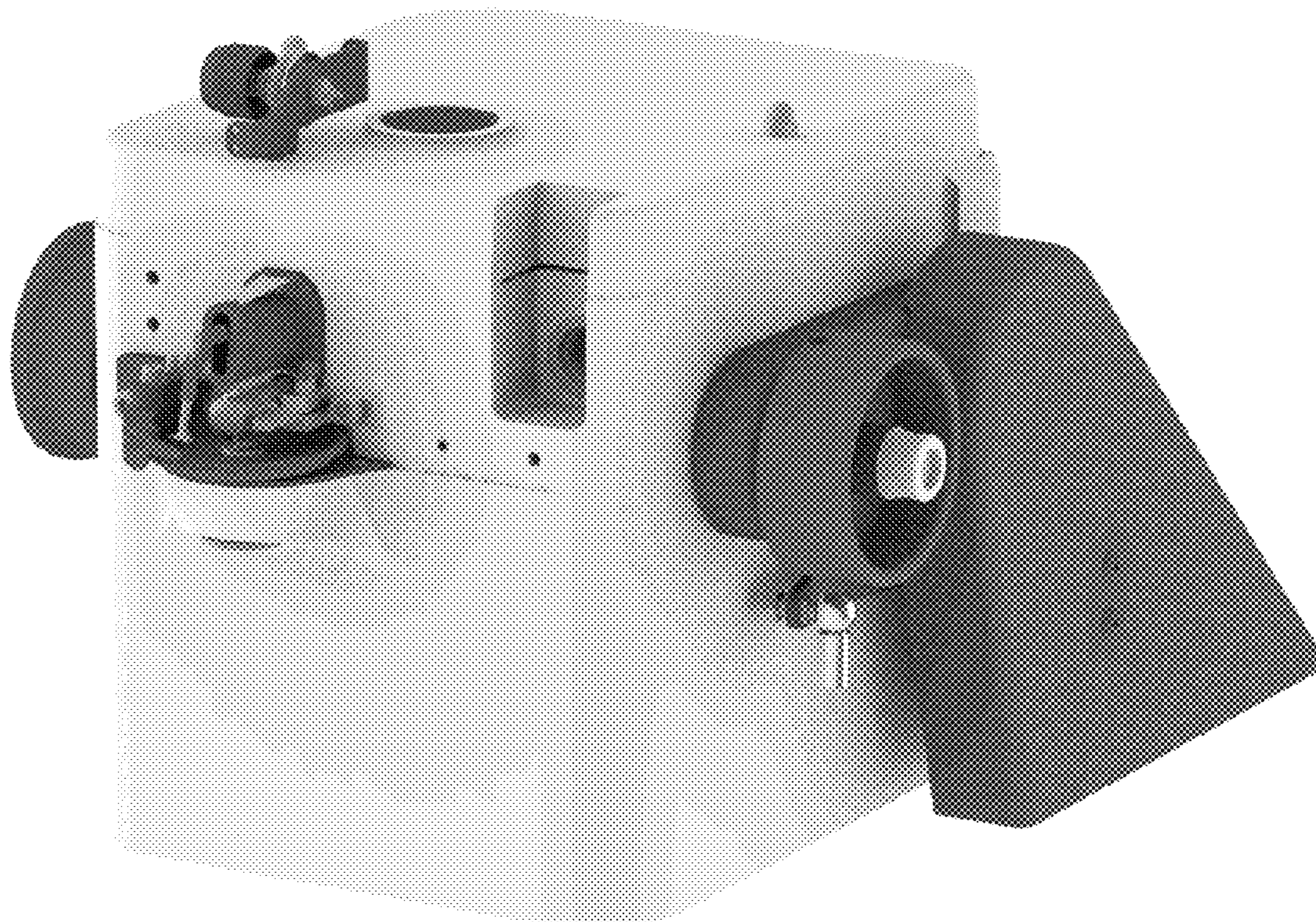
(57) **CLAIM**

The ornamental design for a sewing machine, as shown and described.

DESCRIPTION

FIG. 1 is an elevational view of the front of the sewing machine showing the claimed design.
FIG. 2 is an elevational view of one side thereof.
FIG. 3 is an elevational view of the back thereof.
FIG. 4 is an elevational view of the other side thereof.
FIG. 5 is a top plan view thereof.
FIG. 6 is a bottom plan view thereof; and,
FIG. 7 is a perspective view thereof.

1 Claim, 7 Drawing Sheets



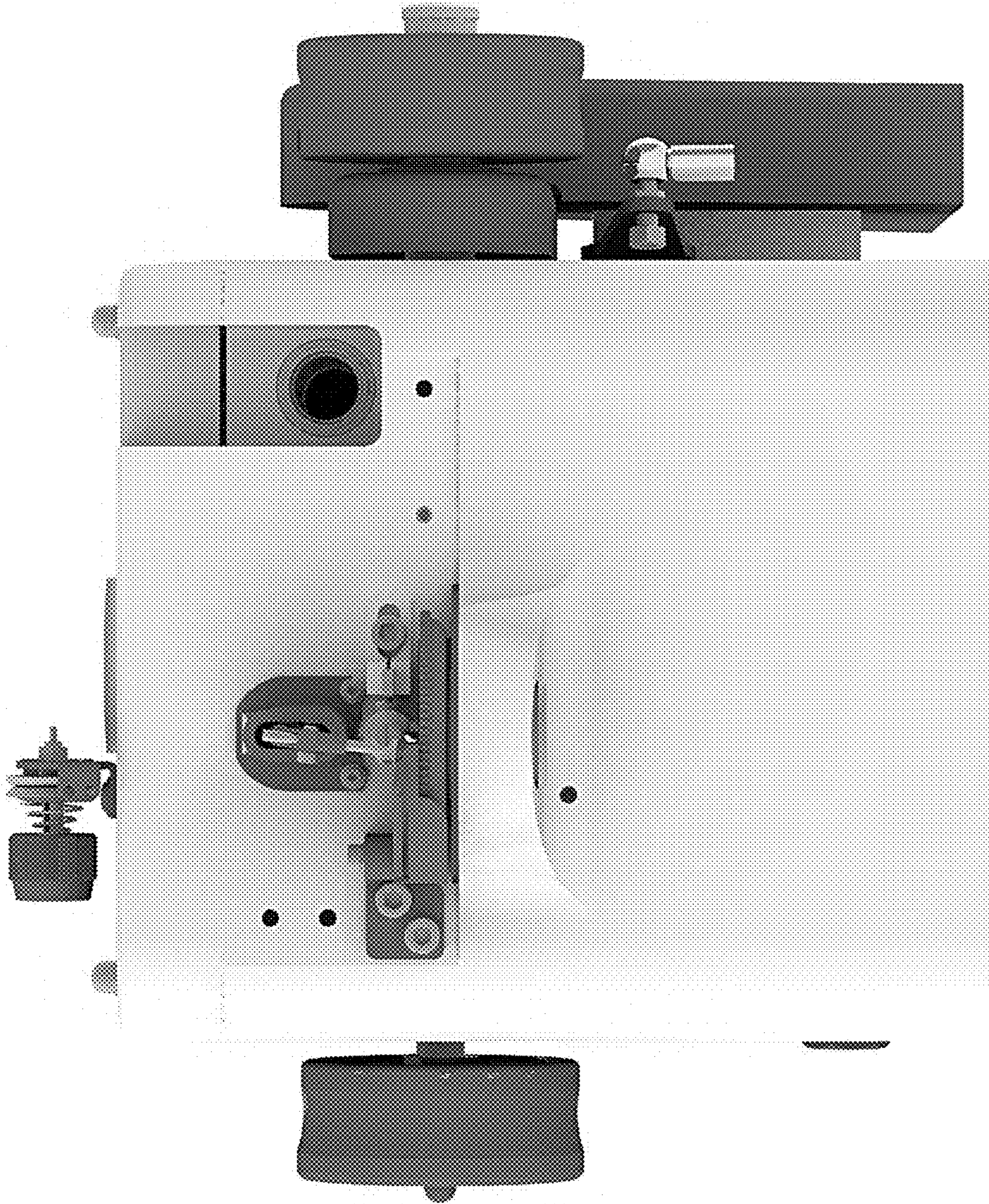


FIG. 1

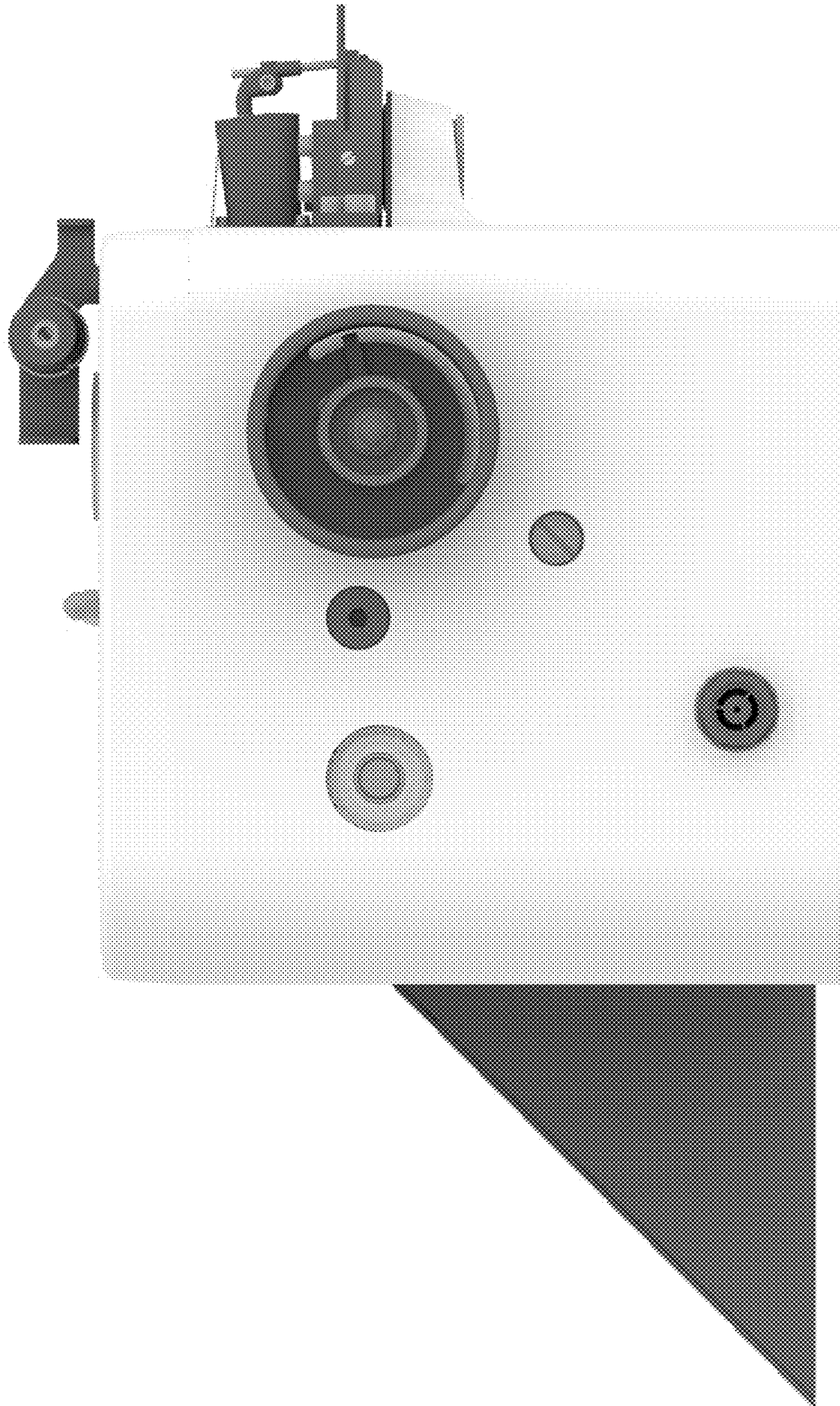


FIG. 2

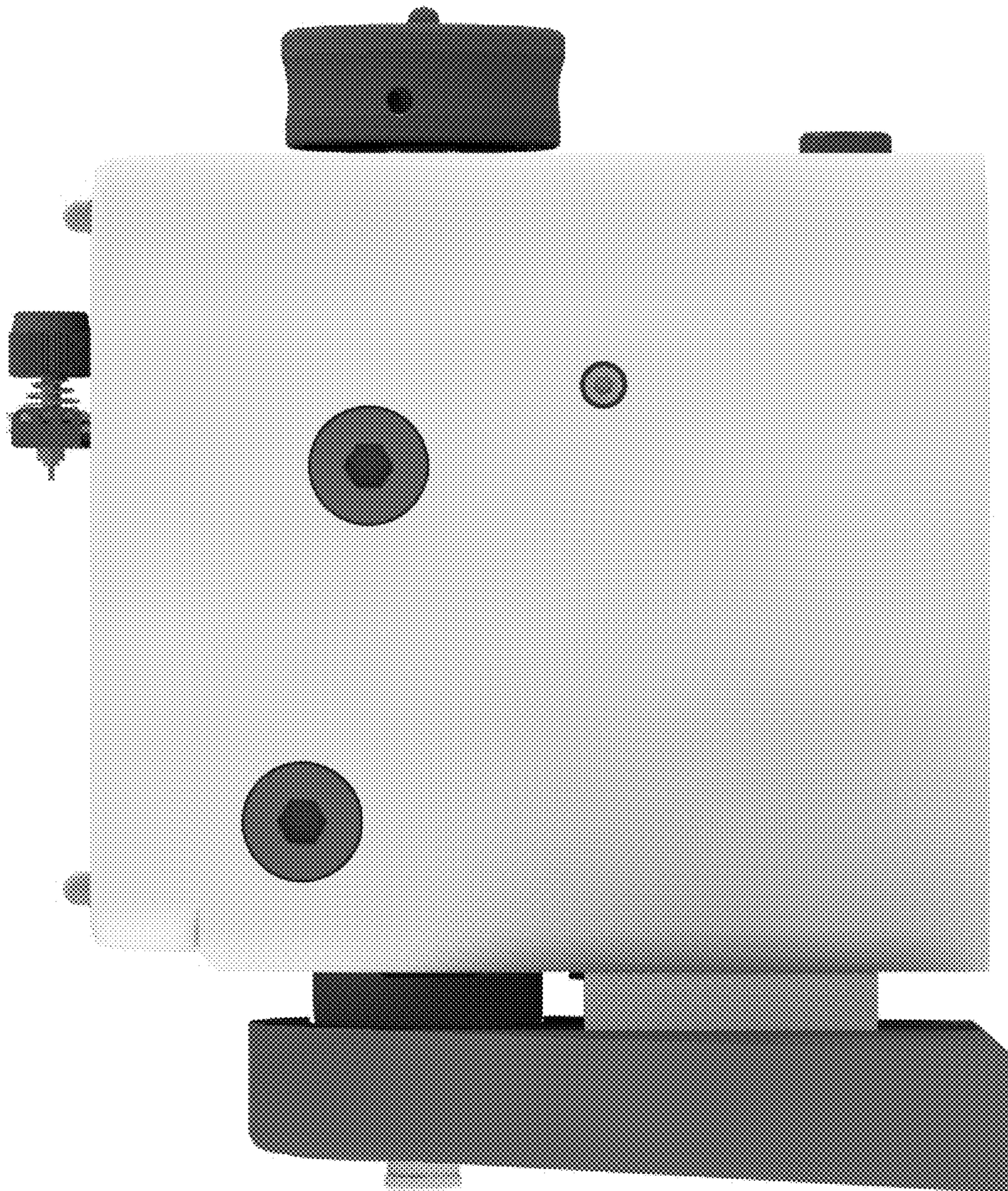


FIG. 3

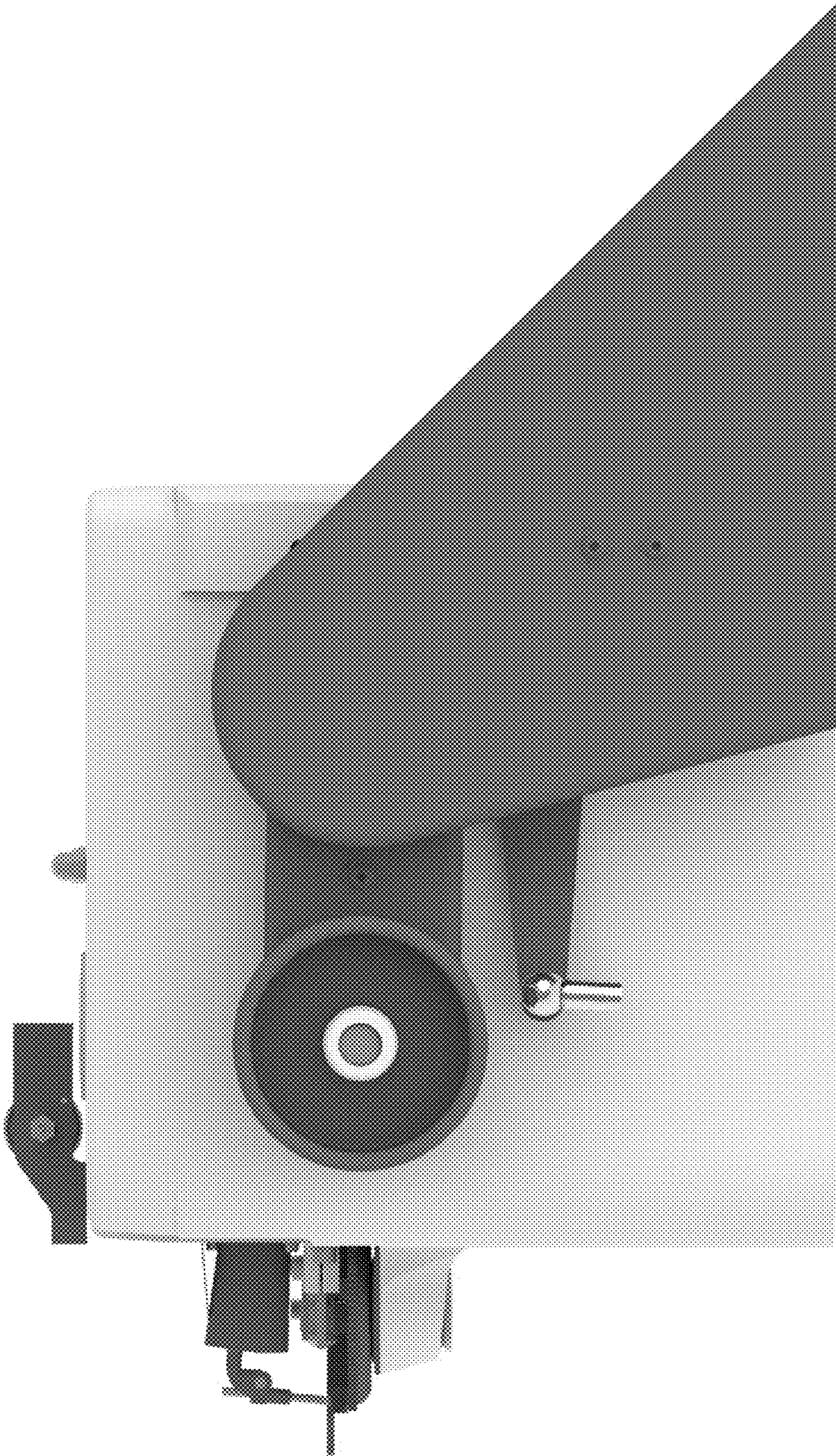


FIG. 4

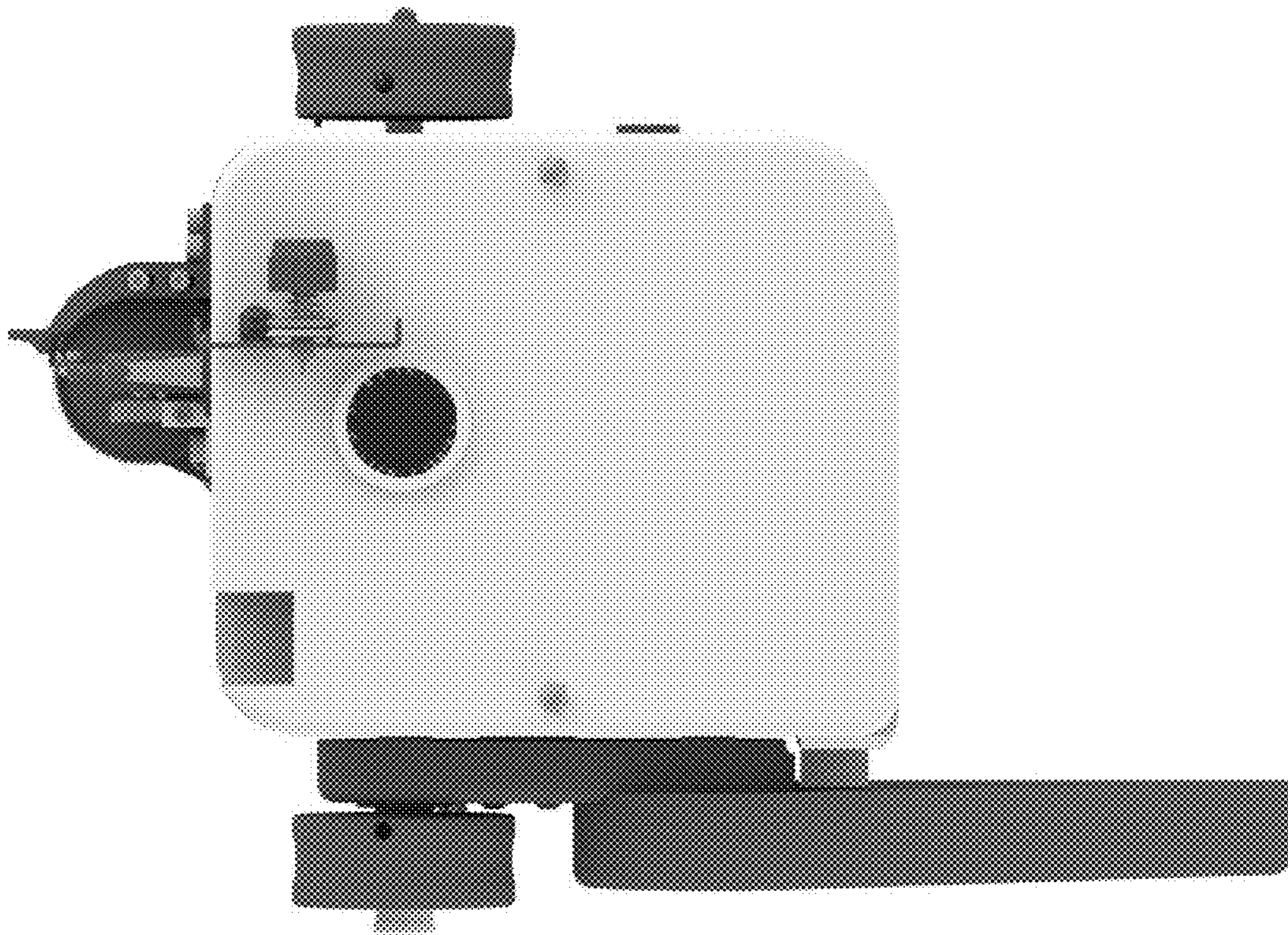


FIG. 5

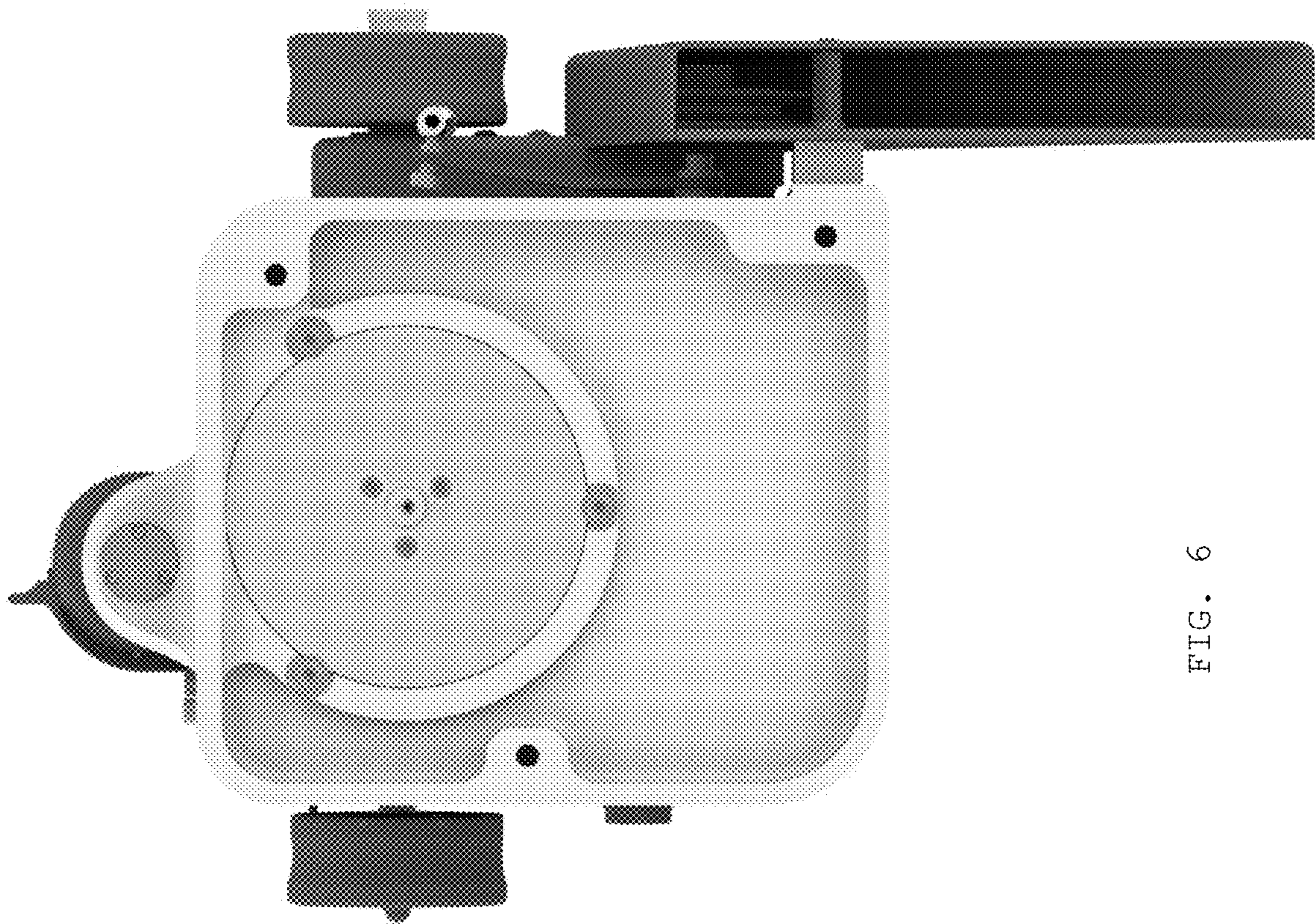


FIG. 6

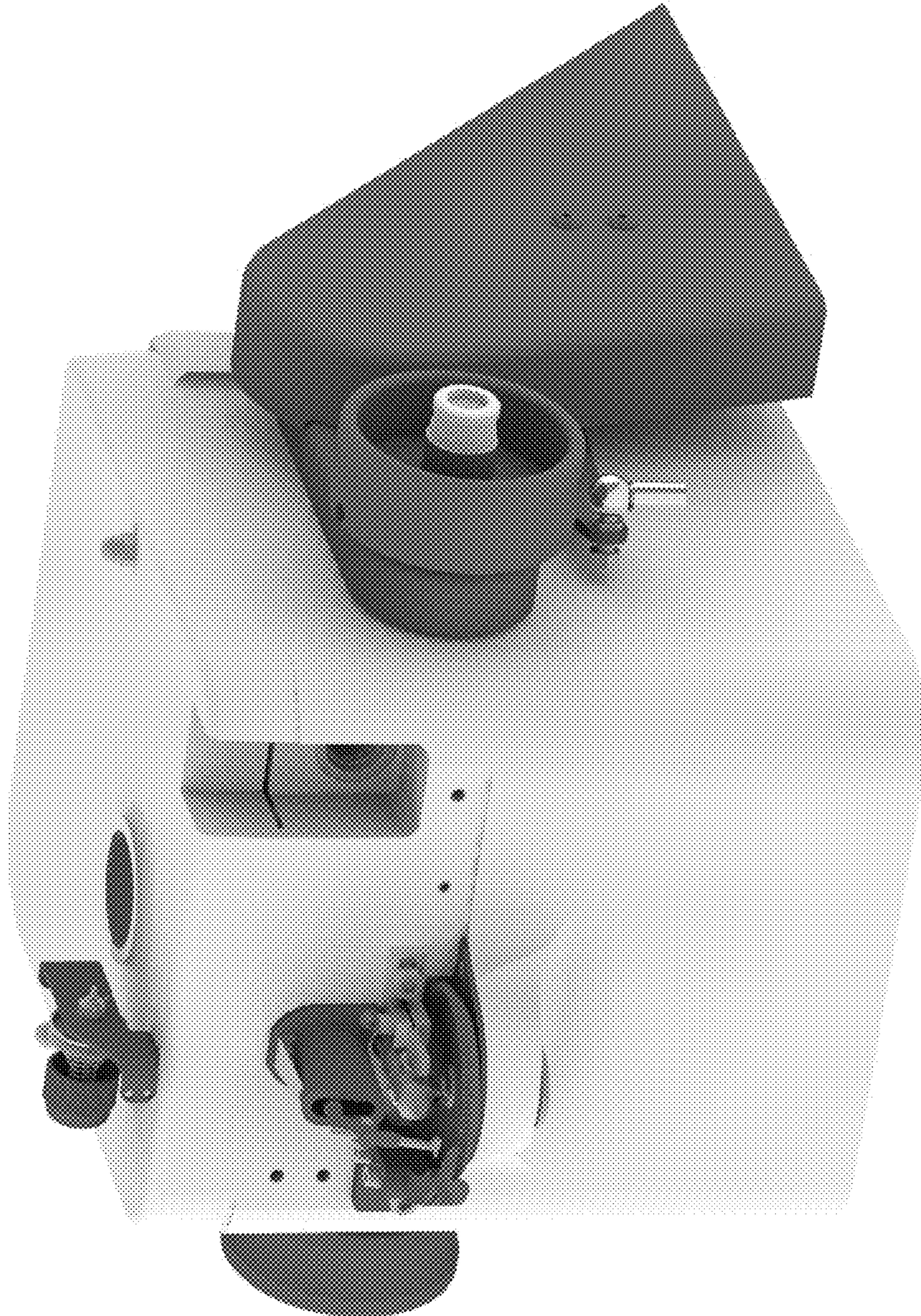


FIG. 7