



US00D868845S

(12) **United States Design Patent**
Sonerud

(10) **Patent No.:** **US D868,845 S**
(45) **Date of Patent:** **** Dec. 3, 2019**

(54) **SAFETY HOOKS FOR CONSTRUCTION MACHINERY**

(71) Applicant: **OILQUICK AB**, Hudiksvall (SE)

(72) Inventor: **Åke Sonerud**, Hudiksvall (SE)

(73) Assignee: **OILQUICK AB**, Hudiksvall (SE)

(**) Term: **15 Years**

(21) Appl. No.: **35/504,767**

(22) Filed: **Oct. 18, 2017**

(80) **Hague Agreement Data**

Int. Filing Date: **Oct. 18, 2017**

Int. Reg. No.: **DM/098783**

Int. Reg. Date: **Oct. 18, 2017**

Int. Reg. Pub. Date: **Apr. 20, 2018**

(30) **Foreign Application Priority Data**

May 10, 2017 (EM) 003994235

(51) **LOC (12) Cl.** **15-03**

(52) **U.S. Cl.**

USPC **D15/28**

CPC **A01B 73/06** (2013.01)

(58) **Field of Classification Search**

USPC D15/10, 17, 28, 32, 22-25; 172/311,
172/456, 248, 272, 439, 443; 414/272,
414/439

CPC A01B 73/067; A01B 73/044; A01B 73/00;
A01B 73/02; A01B 73/04; A01B 23/06;
A01B 73/06

See application file for complete search history.

(56) **References Cited**

U.S. PATENT DOCUMENTS

3,977,698 A * 8/1976 von Allworden A01B 59/006

172/272

D272,069 S * 1/1984 Larsson D15/28

D272,070 S * 1/1984 Larsson D15/28

D272,250 S * 1/1984 Larsson D15/28

4,480,955 A * 11/1984 Andrews E02F 3/3622
37/403

D299,239 S * 1/1989 Henningsen D15/28

D299,240 S * 1/1989 Henningsen D15/28

5,332,353 A * 7/1994 Arnold E02F 3/3622
172/275

5,382,110 A * 1/1995 Perotto E02F 3/3622
172/272

5,429,197 A * 7/1995 Livingstone A01B 35/26
172/699

5,484,250 A * 1/1996 Gilmore, Jr. E02F 3/301
37/468

5,564,885 A * 10/1996 Staben, Jr. E02F 3/3631
37/403

5,651,653 A * 7/1997 Bablo A01D 87/127
414/24.5

(Continued)

Primary Examiner — Richard E Chilcot

(74) *Attorney, Agent, or Firm* — Buchanan Ingersoll & Rooney PC

(57)

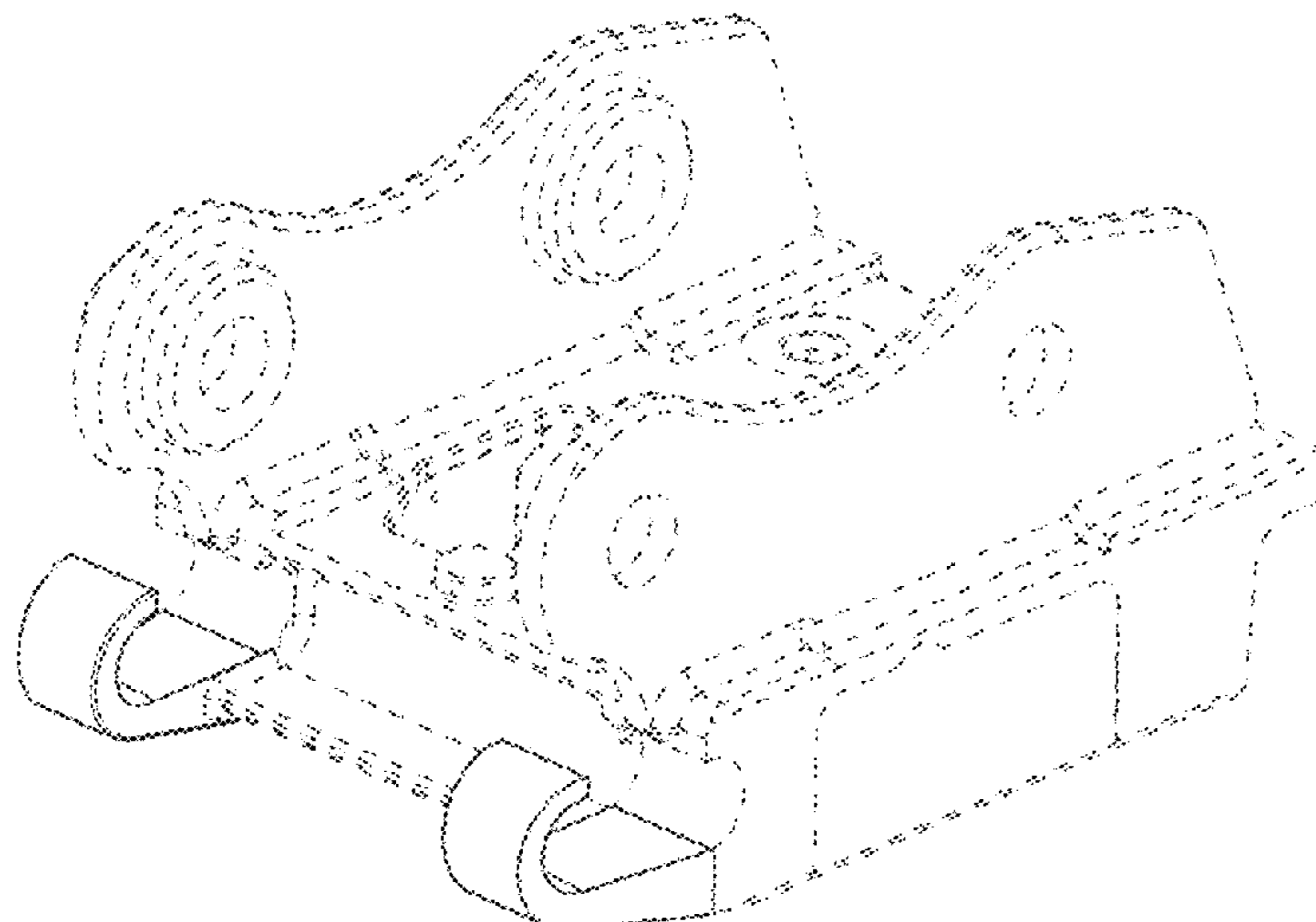
CLAIM

The ornamental design for safety hooks for construction machinery, as shown and described.

DESCRIPTION

1. Safety hooks for construction machinery
Fig. 1.1 is a top front right perspective view of the safety hooks; fig. 1.2 is a top front left perspective view of the safety hooks; fig. 1.3 is a top rear right perspective view of the safety hooks; fig. 1.4 is a bottom front right perspective view of the safety hooks; fig. 1.5 is a right side view of the safety hooks; fig. 1.6 is a bottom view of the safety hooks; fig. 1.7 is a front view of the safety hooks; the broken lines in the drawings, which indicate a hydraulic device for changing work tools, such as buckets of an excavator, are only for illustrative purposes and only indicate environmental subject matter to which the safety hooks are attached and form no part of the design.

1 Claim, 7 Drawing Sheets



(56)

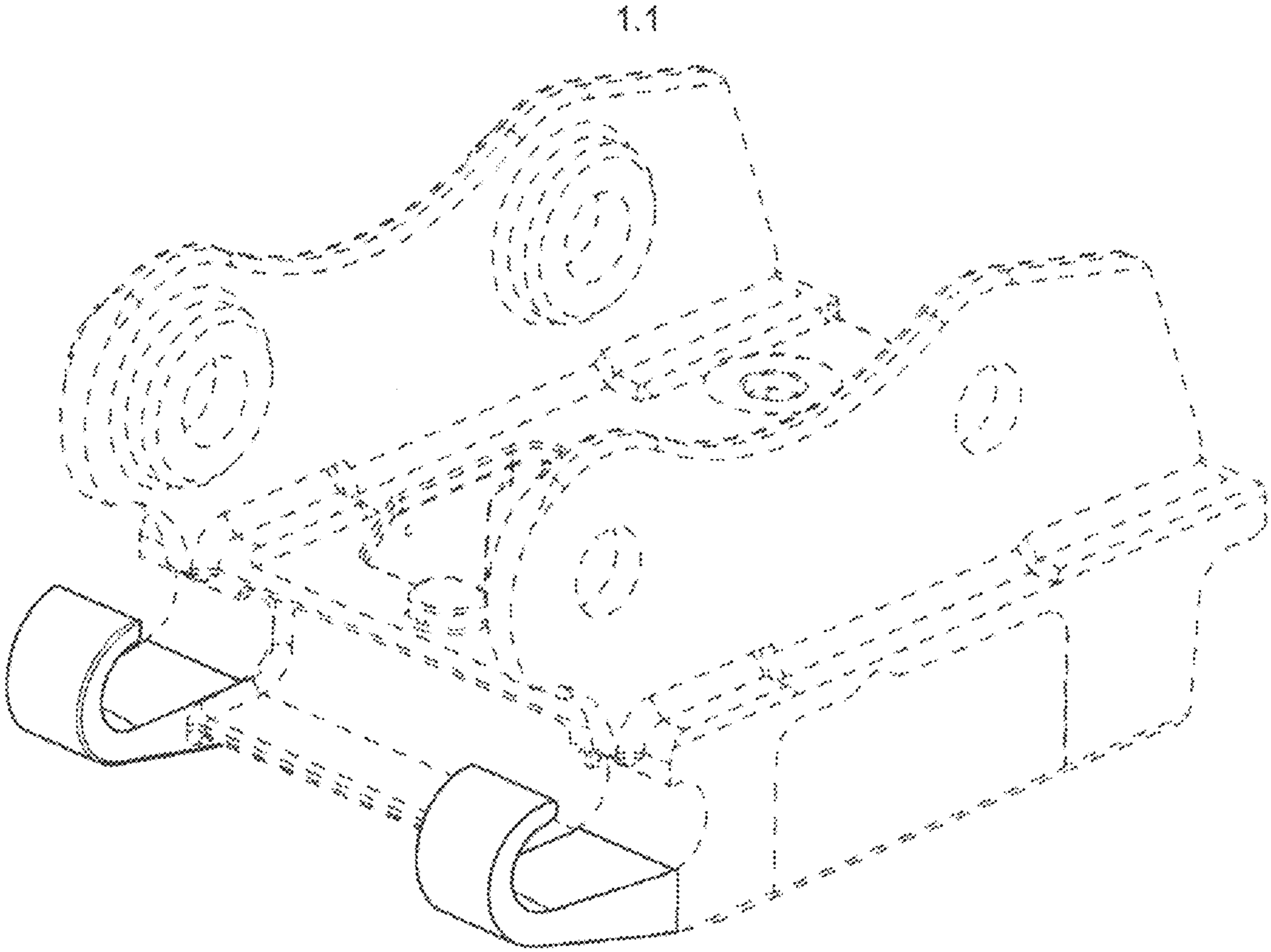
References Cited

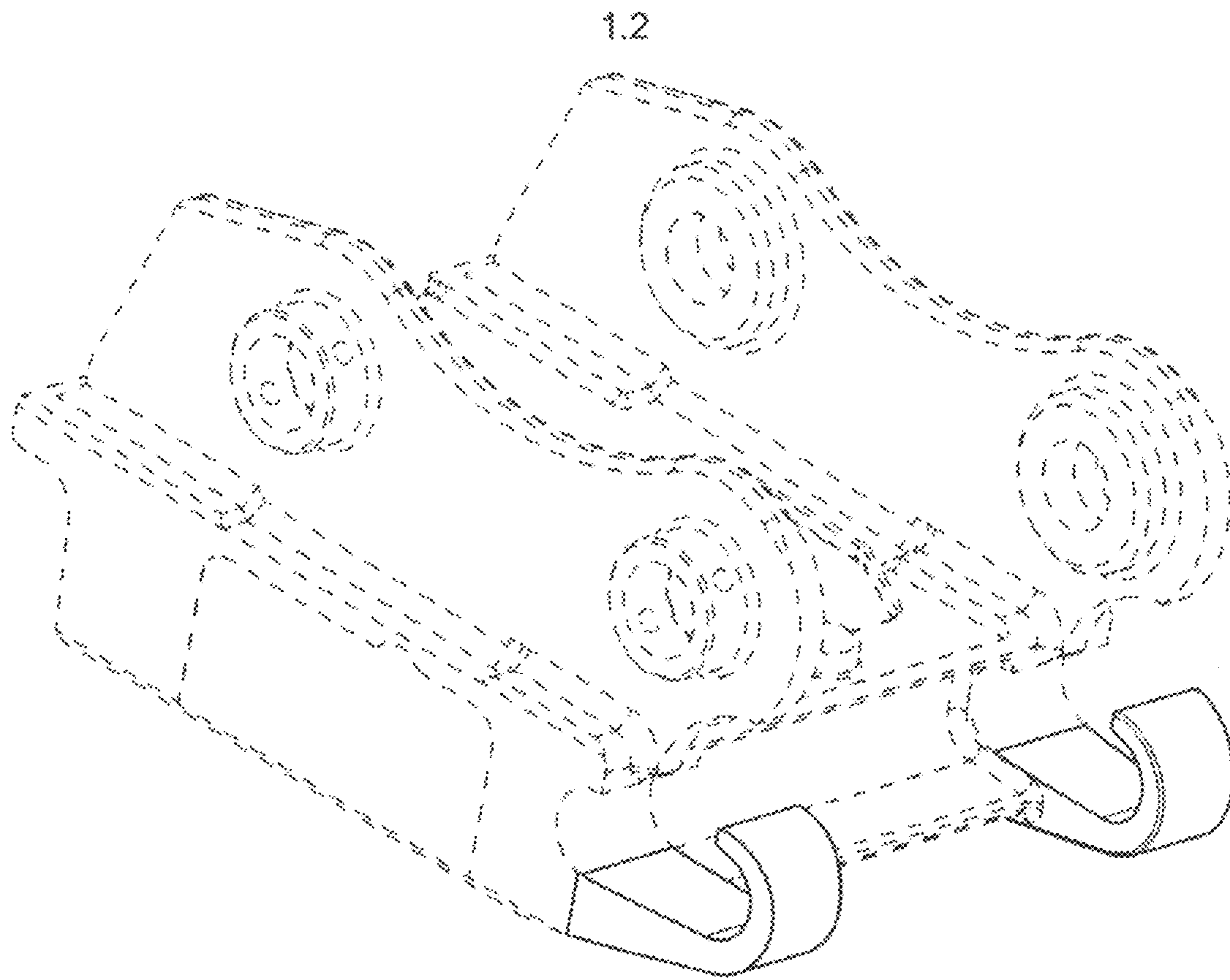
U.S. PATENT DOCUMENTS

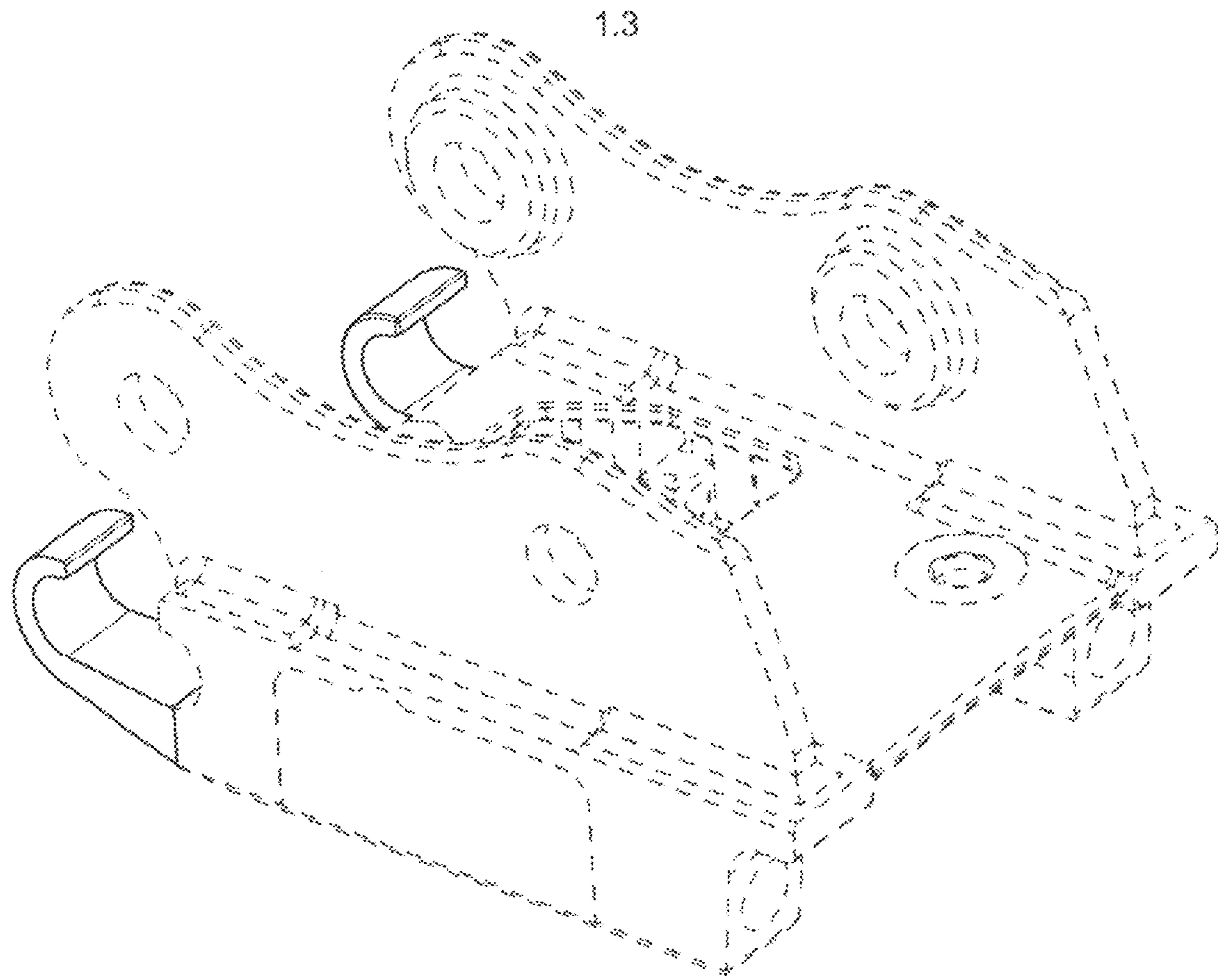
5,791,863 A * 8/1998 Droegemueller E02F 3/3622
37/468
5,820,332 A * 10/1998 Philips E02F 3/3622
414/723
5,918,389 A * 7/1999 Hall E02F 3/8152
37/407
5,951,192 A * 9/1999 Collins E02F 3/3622
37/468
5,966,850 A * 10/1999 Horton E02F 3/3622
37/468
5,979,568 A * 11/1999 Parish A01B 35/225
172/724
D440,983 S * 4/2001 Miller D15/28
D458,942 S * 6/2002 Balemi D15/28
D565,062 S * 3/2008 Miller D15/28
D574,225 S * 8/2008 Scheib D8/382
D593,848 S * 6/2009 Balemi D15/28
D593,849 S * 6/2009 Balemi D15/28
D599,198 S * 9/2009 Balemi D8/382
D620,501 S * 7/2010 Ergodan D15/28
D620,502 S * 7/2010 Ballinger D15/28
D624,938 S * 10/2010 Kelly A01B 23/06
D15/28
D629,428 S * 12/2010 Paterson D15/21
D638,037 S * 5/2011 Miller D15/28

D638,038 S * 5/2011 Miller D15/28
D638,039 S * 5/2011 Miller D15/28
D638,448 S * 5/2011 Miller D15/28
7,984,575 B2 * 7/2011 Robl E02F 3/3622
172/273
8,112,914 B2 * 2/2012 Miller E02F 3/3618
37/468
D661,322 S * 6/2012 Ergodan D15/28
D694,284 S * 11/2013 Paterson D15/28
D694,285 S * 11/2013 Paterson D15/28
D700,219 S * 2/2014 Paterson D15/28
D702,738 S * 4/2014 Molnar D15/28
8,684,623 B2 * 4/2014 Robl F16D 1/00
37/468
8,869,437 B2 * 10/2014 Robl E02F 3/3618
37/468
8,974,137 B2 * 3/2015 Parker E02F 3/3618
37/468
D736,269 S * 8/2015 Paterson D15/29
D742,725 S * 11/2015 Paterson D8/367
9,217,235 B2 * 12/2015 Robl E02F 3/3618
9,228,314 B2 * 1/2016 Robl E02F 3/3663
D782,545 S * 3/2017 Forth D15/28
D821,451 S * 6/2018 Paterson D15/28
D823,902 S * 7/2018 Paterson D15/28
D824,430 S * 7/2018 Sivinski D15/28
2006/0101953 A1 * 5/2006 Sonerud B66C 3/005
81/301

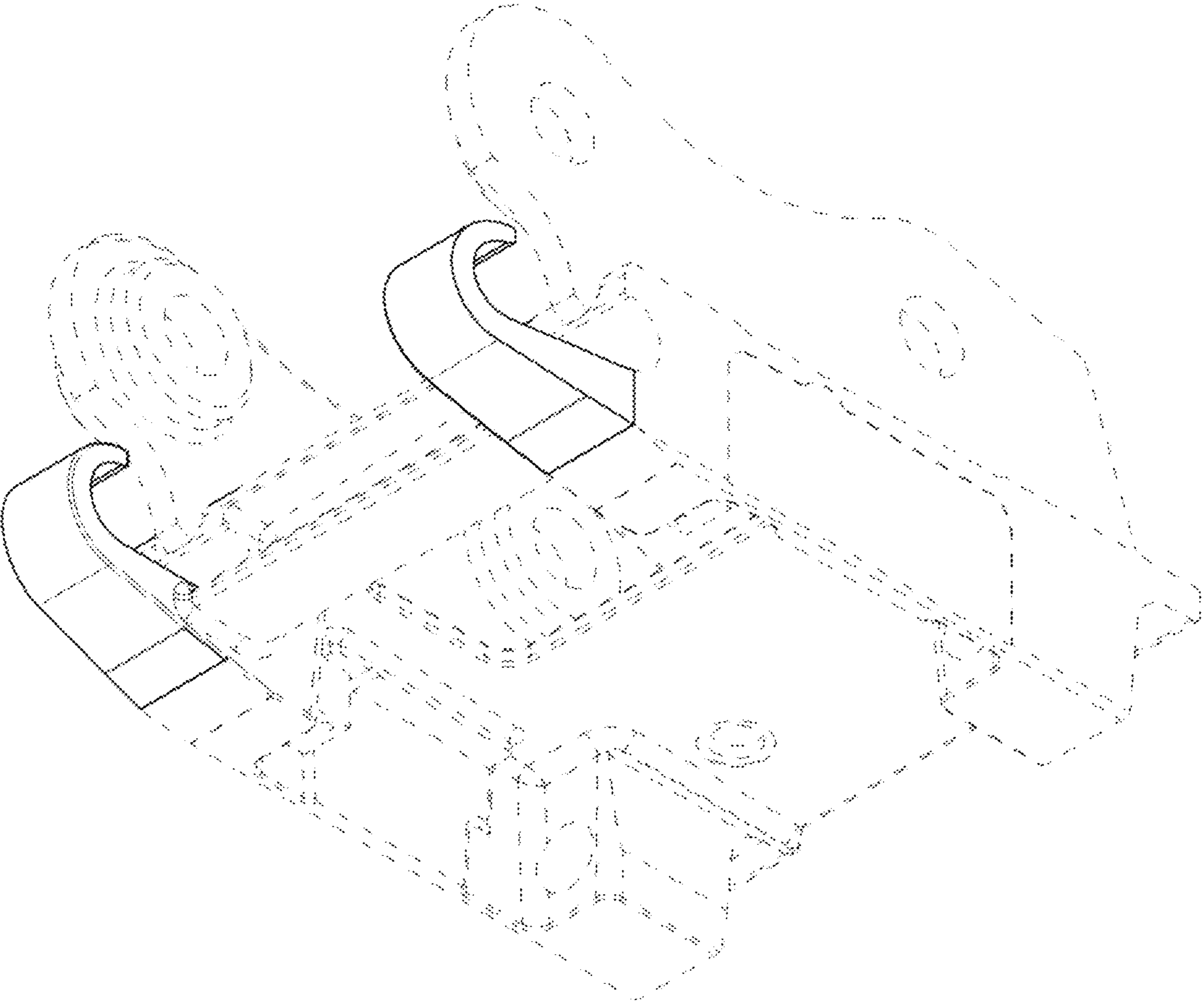
* cited by examiner



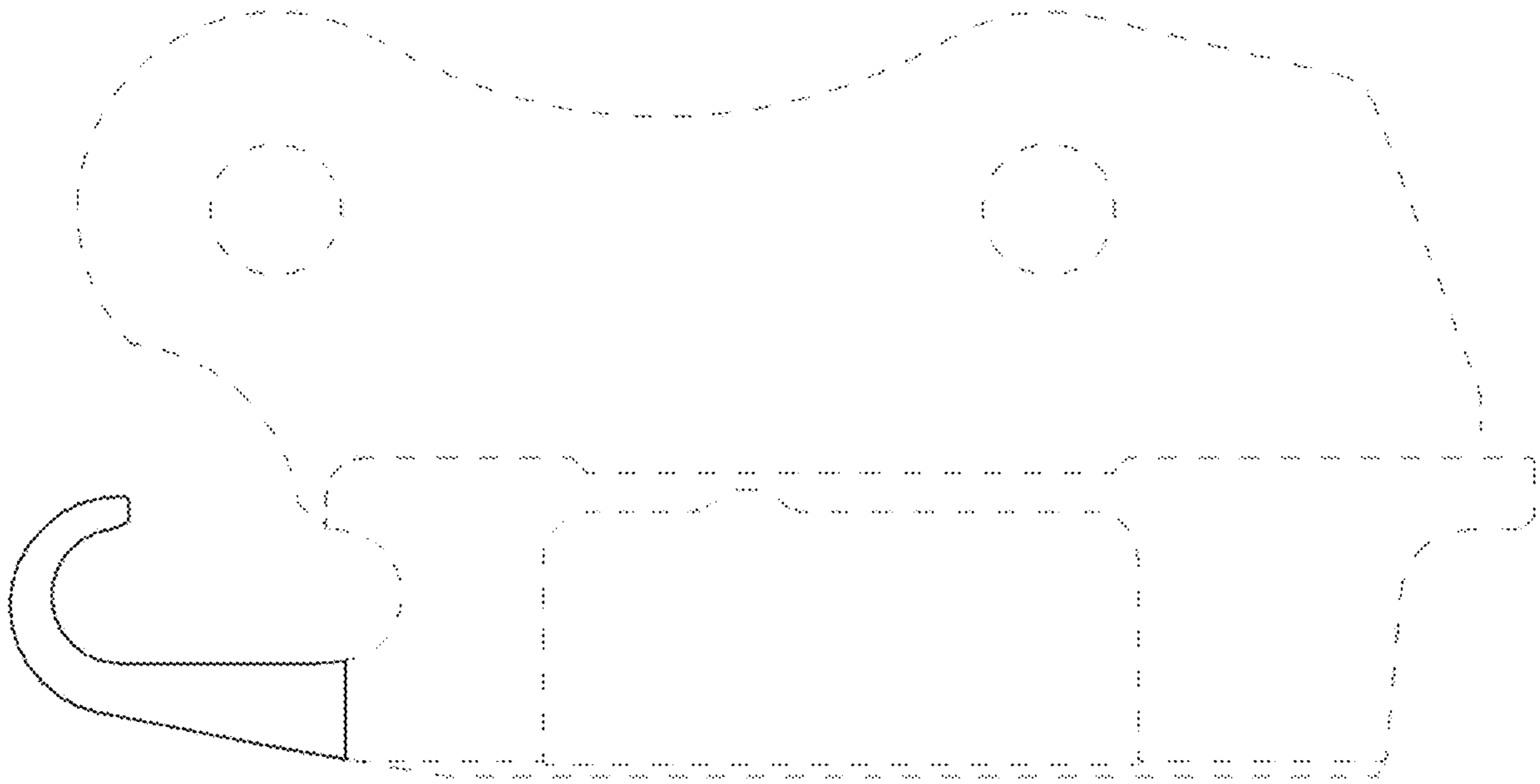




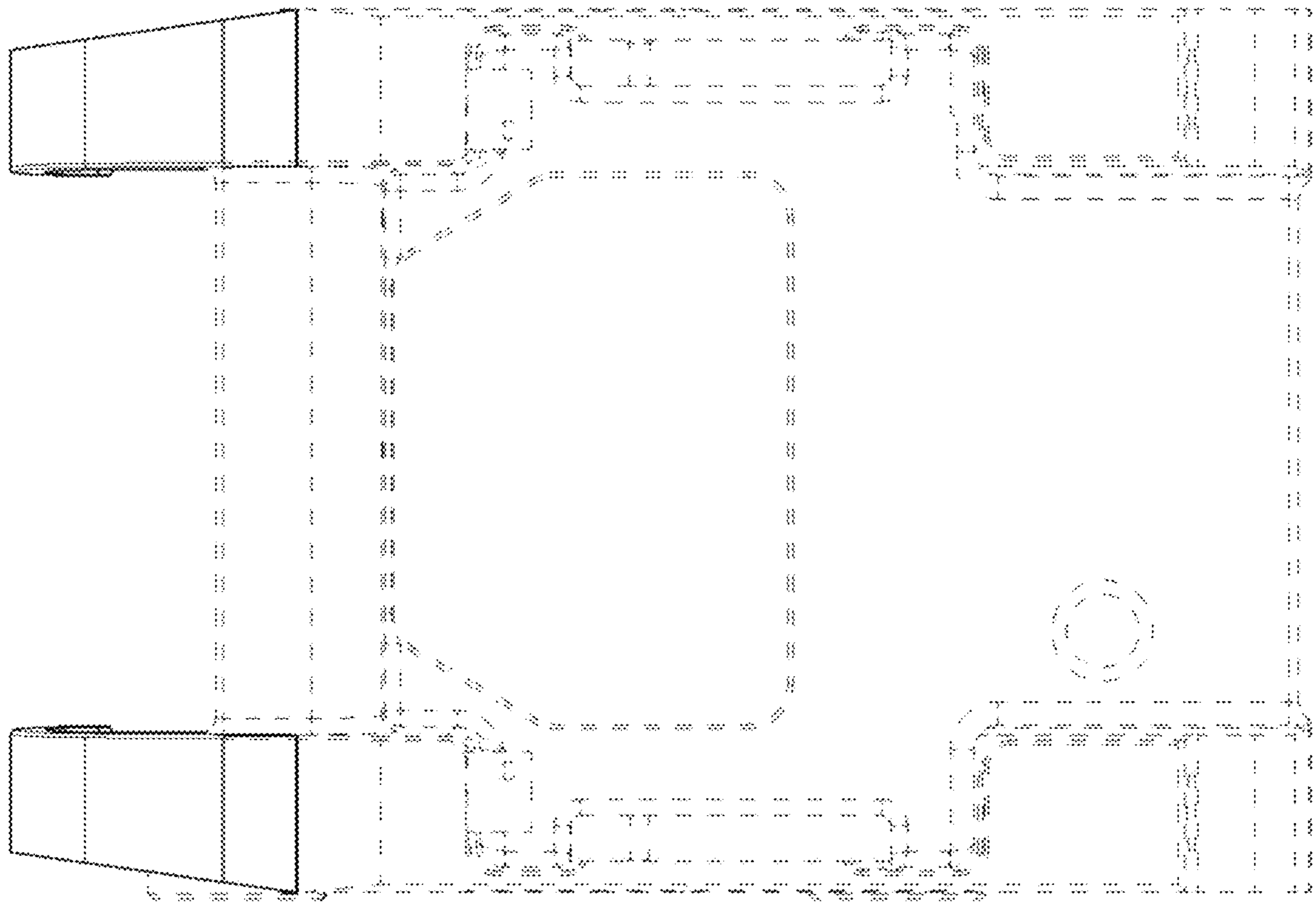
1.4



1.5



1.6



1.7

