



US00D868843S

(12) **United States Design Patent** (10) **Patent No.:** **US D868,843 S**
Descoteaux (45) **Date of Patent:** **** Dec. 3, 2019**

- (54) **FOLDABLE CARRYING SYSTEM FOR A VEHICLE**
- (71) Applicant: **Timothy J Descoteaux**, Lakeside, CT (US)
- (72) Inventor: **Timothy J Descoteaux**, Lakeside, CT (US)
- (**) Term: **15 Years**
- (21) Appl. No.: **29/667,694**
- (22) Filed: **Oct. 24, 2018**
- (51) **LOC (12) Cl.** **15-03**
- (52) **U.S. Cl.**
USPC **D15/17; D15/28**
- (58) **Field of Classification Search**
USPC D15/17, 28, 22, 23, 26, 10; D12/412, D12/413, 414, 414.1; 224/400, 410
CPC B60R 9/00; B60R 9/02; B60R 9/04; B60R 9/08; B60R 9/055; B60R 9/058; B60R 9/06; B60R 9/065; B60R 9/10; B60R 9/12; B60R 2011/004; B60R 2011/0052; B60R 2011/0085; B62D 33/023
See application file for complete search history.

- (56) **References Cited**
U.S. PATENT DOCUMENTS
D288,098 S * 2/1987 Trelford D15/17
D306,929 S * 3/1990 Flowers D15/17
5,417,353 A * 5/1995 Stall A01D 75/008
224/401
D397,278 S * 8/1998 Wang D7/701
D442,409 S * 5/2001 Curran D6/559
D459,287 S * 6/2002 Beard D12/406
D484,701 S * 1/2004 Fabregas D3/315
D492,701 S * 7/2004 DeShong D15/17
D616,904 S * 6/2010 Armstrong D15/17
D709,525 S * 7/2014 Poltorak D15/17
D710,910 S * 8/2014 Call D15/17

D720,281 S *	12/2014	Grant	D12/414.1
D754,055 S *	4/2016	Harrison	D12/406
9,533,623 B2 *	1/2017	Descoteaux	B60P 3/14
D790,433 S *	6/2017	Descoteaux	D12/406
D856,900 S *	8/2019	Baumann	D12/406
2004/0100045 A1 *	5/2004	Amacker	B60R 9/06 280/30
2006/0097482 A1 *	5/2006	Cumbie	B60D 1/00 280/491.3
2007/0045367 A1 *	3/2007	Easom	B25H 3/00 224/401
2009/0205847 A1 *	8/2009	Benoit	B60R 9/06 172/249
2009/0266856 A1 *	10/2009	Ponce	A01D 75/008 224/401
2010/0224663 A1 *	9/2010	Butler, III	B60R 9/06 224/498

(Continued)

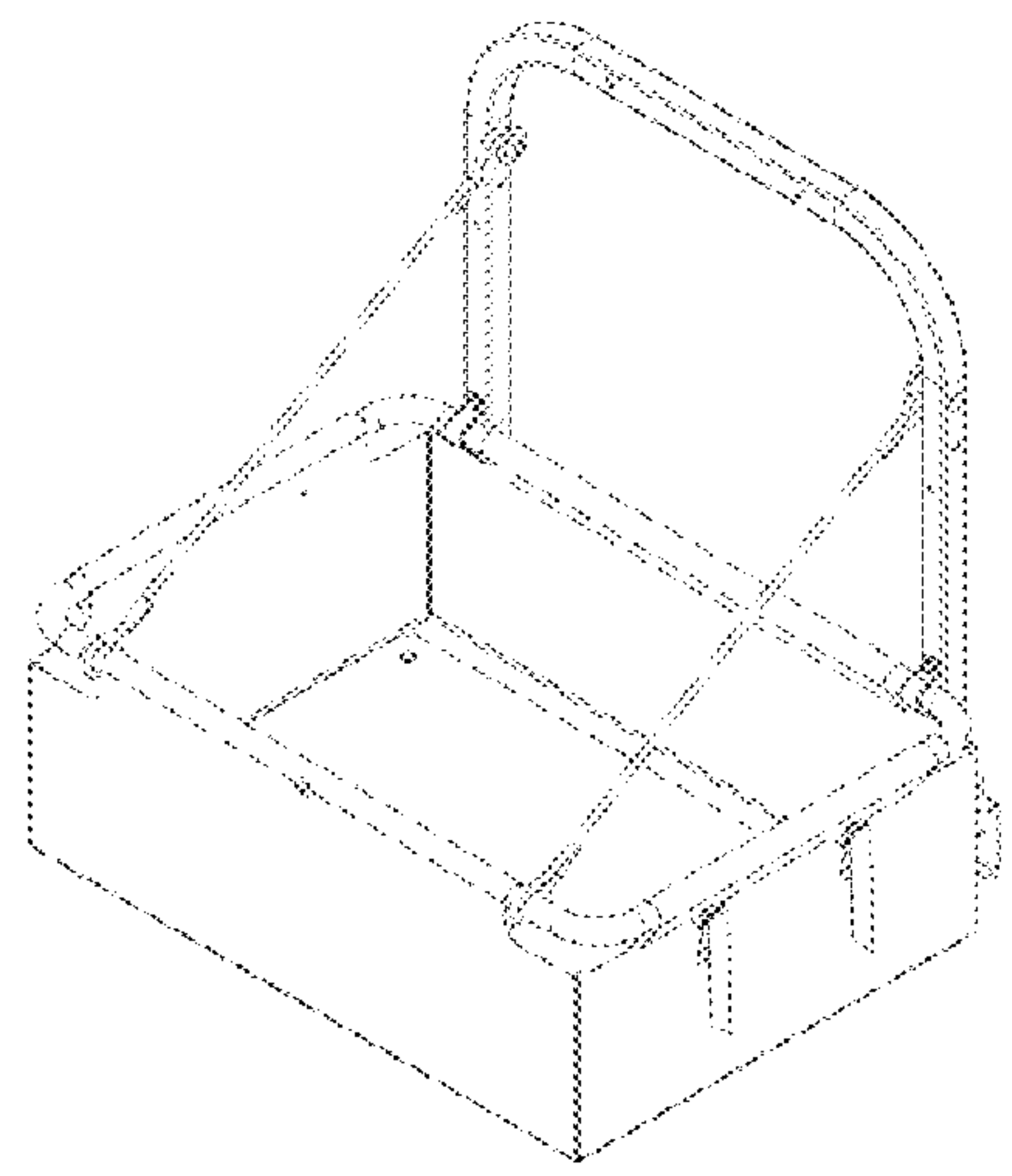
Primary Examiner — Mark A Goodwin
(74) *Attorney, Agent, or Firm* — Carla Gannon Law

(57) **CLAIM**
I claim the ornamental design for a foldable carrying system for a vehicle, as shown and described.

DESCRIPTION

FIG. 1 is a front/side perspective view of a foldable carrying system for a vehicle;
FIG. 2 is a front view of FIG. 1 thereof;
FIG. 3 is a back view of FIG. 1 thereof;
FIG. 4 is a side view of FIG. 1 thereof;
FIG. 5 is an opposite side view of FIG. 1 thereof;
FIG. 6 is a top view of FIG. 1 thereof;
FIG. 7 is a bottom view of FIG. 6 thereof; and,
FIG. 8 is a front/side perspective view of FIG. 1 thereof, shown connected to a vehicle.
The broken lines showing the vehicle of FIG. 8 are included for purposes of illustrating the carrying system in use, and form no part of the claimed invention.

1 Claim, 8 Drawing Sheets



(56)

References Cited

U.S. PATENT DOCUMENTS

2012/0133112 A1* 5/2012 Myrant B62B 1/208
280/655

* cited by examiner

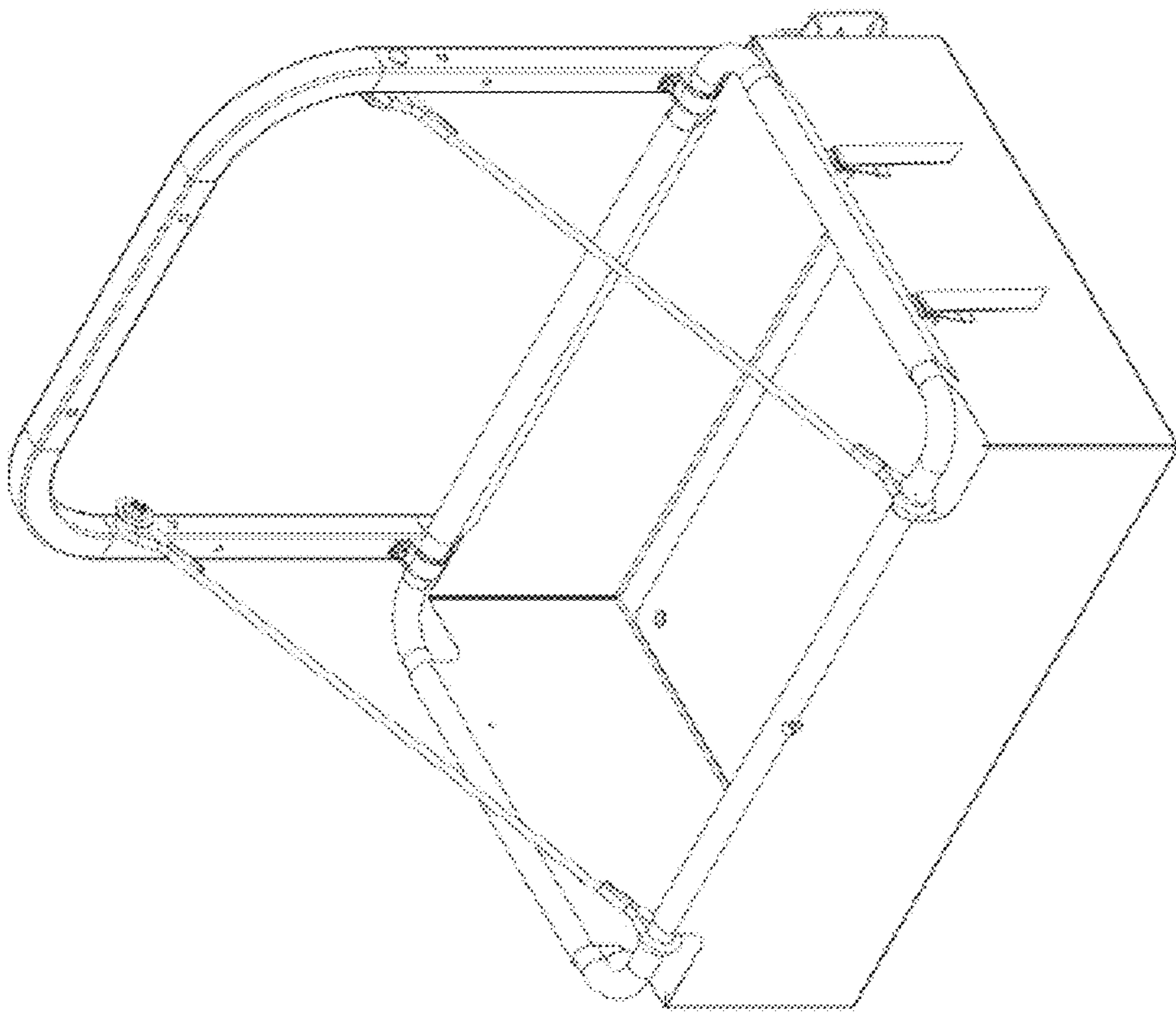


FIG. 1

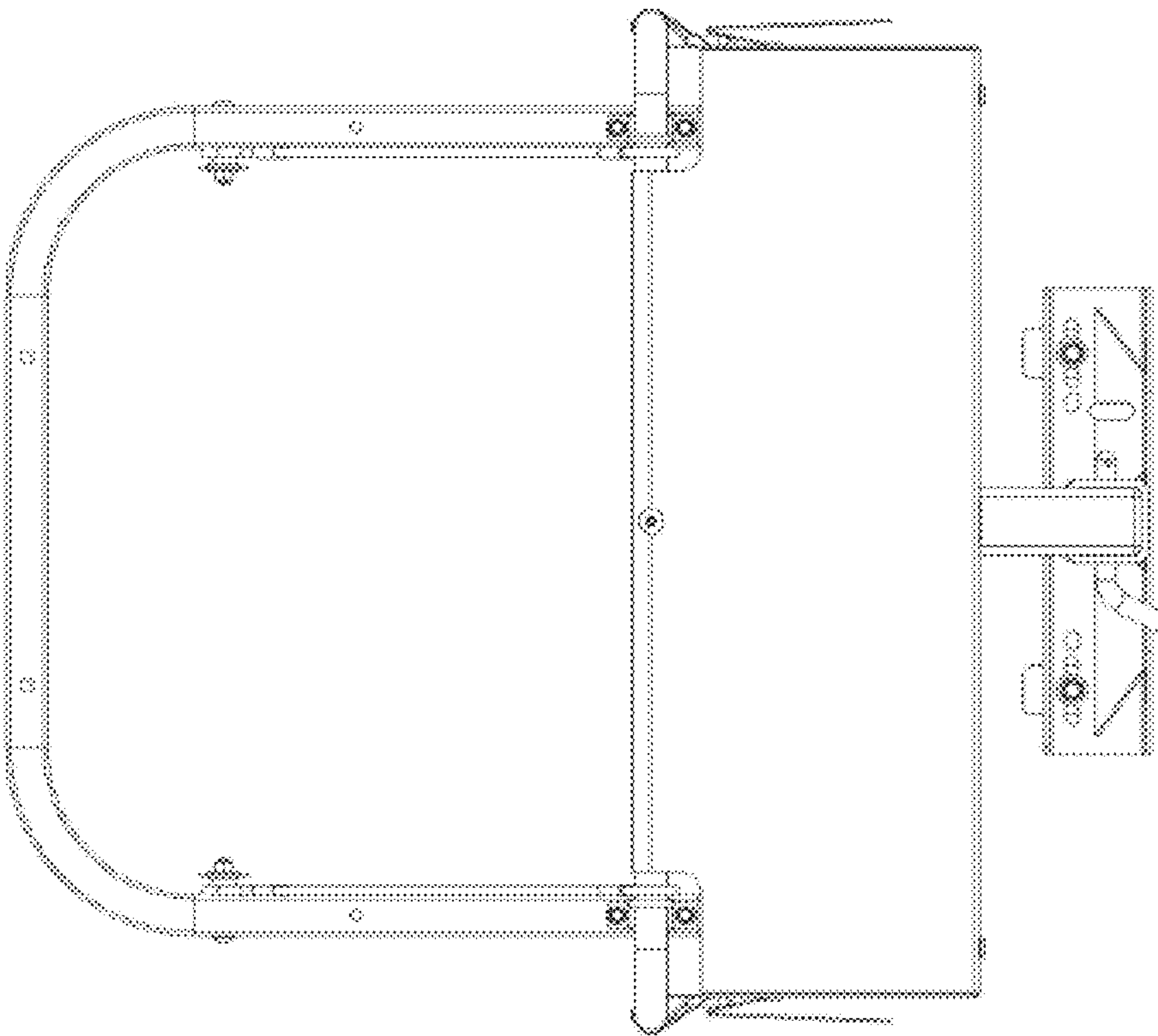


FIG. 2

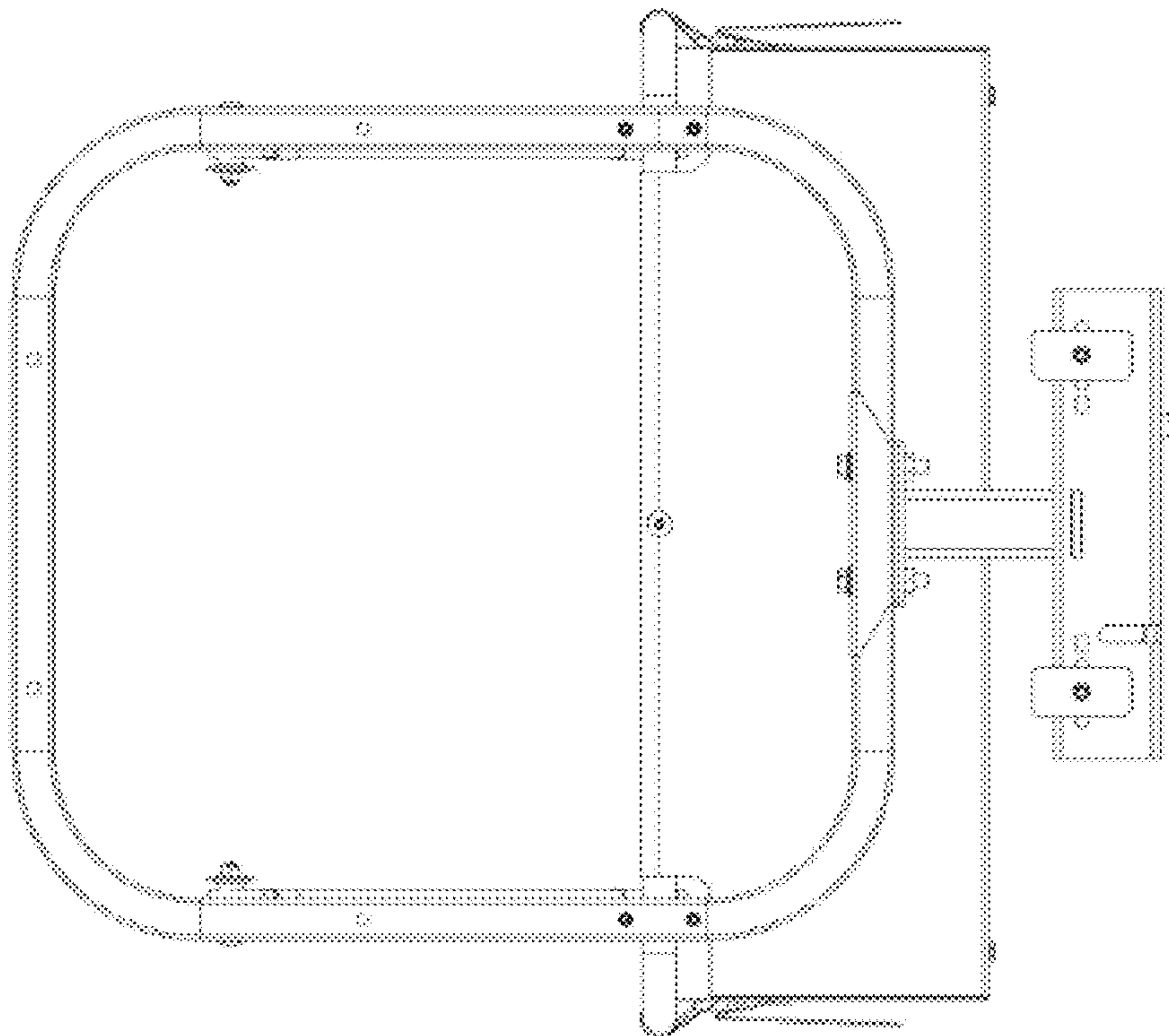


FIG. 3

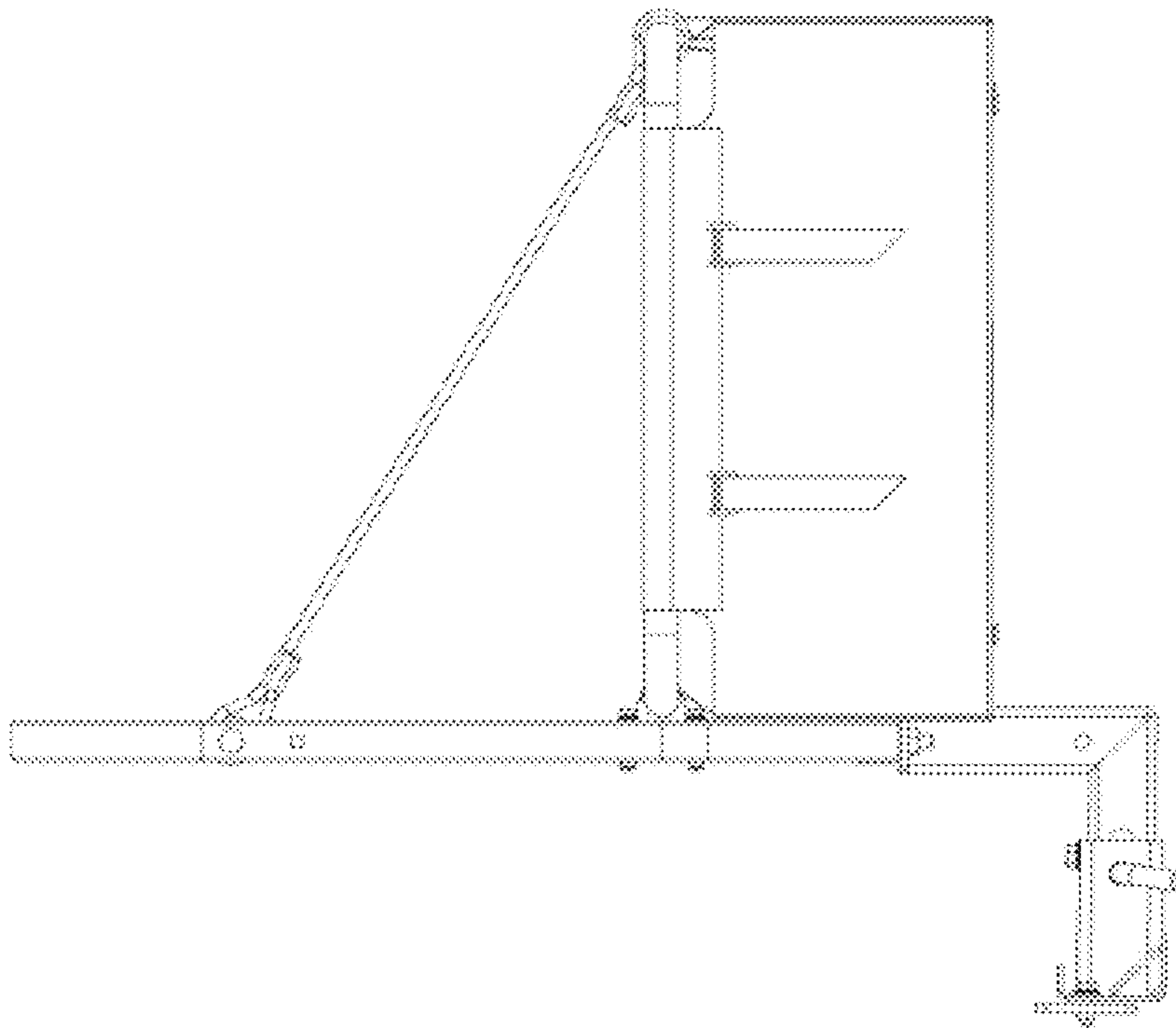


FIG. 4

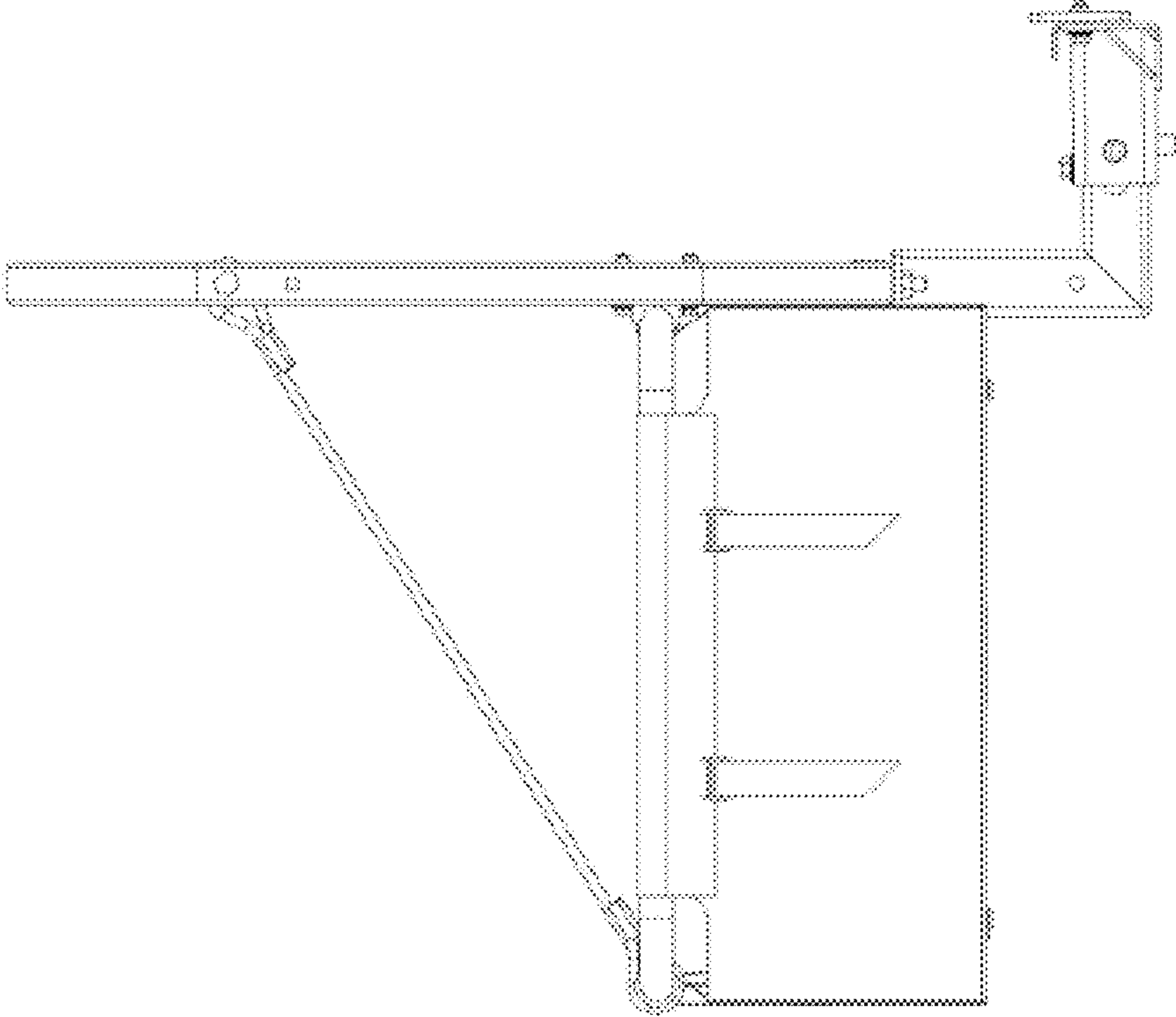


FIG. 5

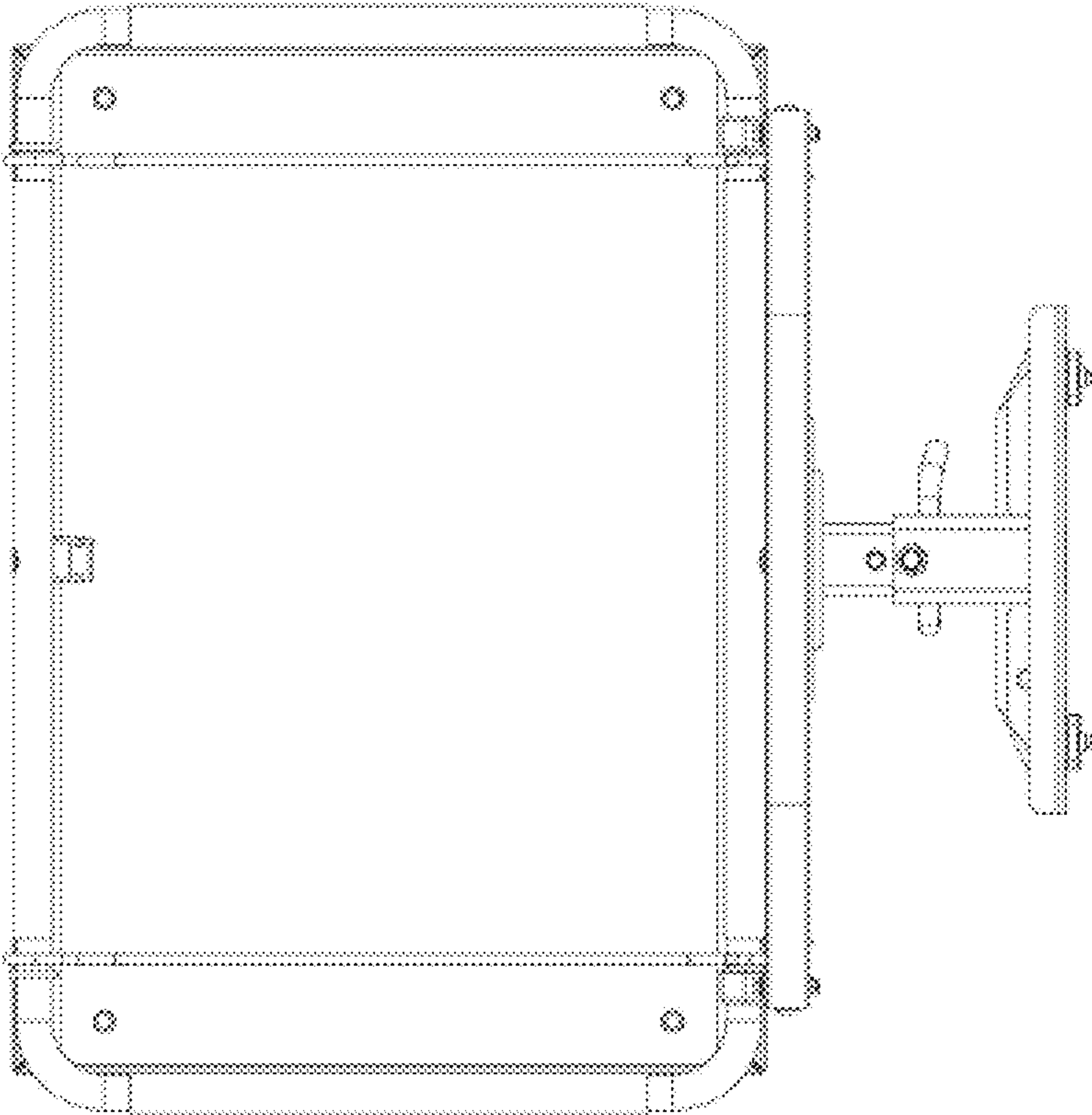


FIG. 6

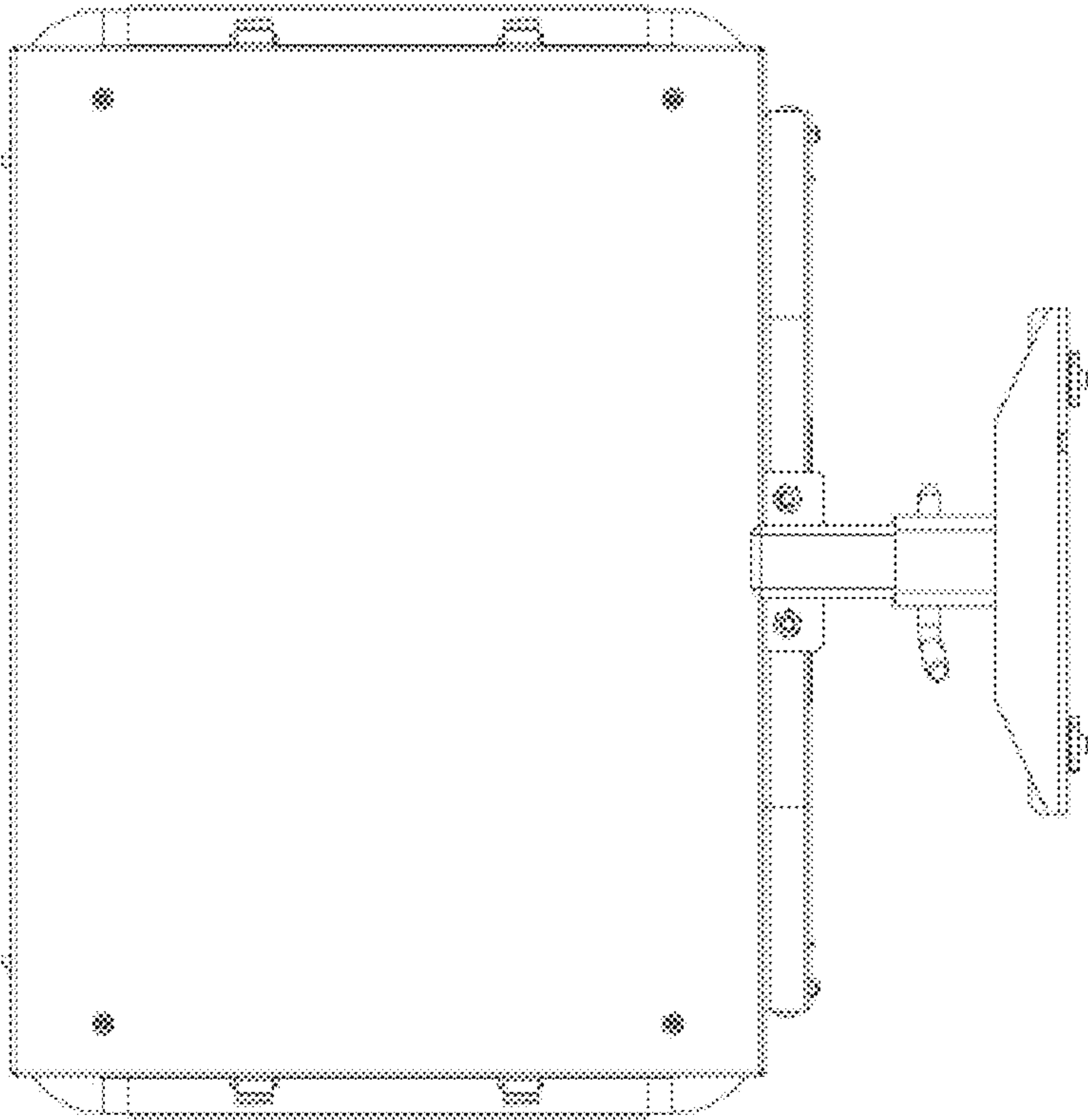


FIG. 7

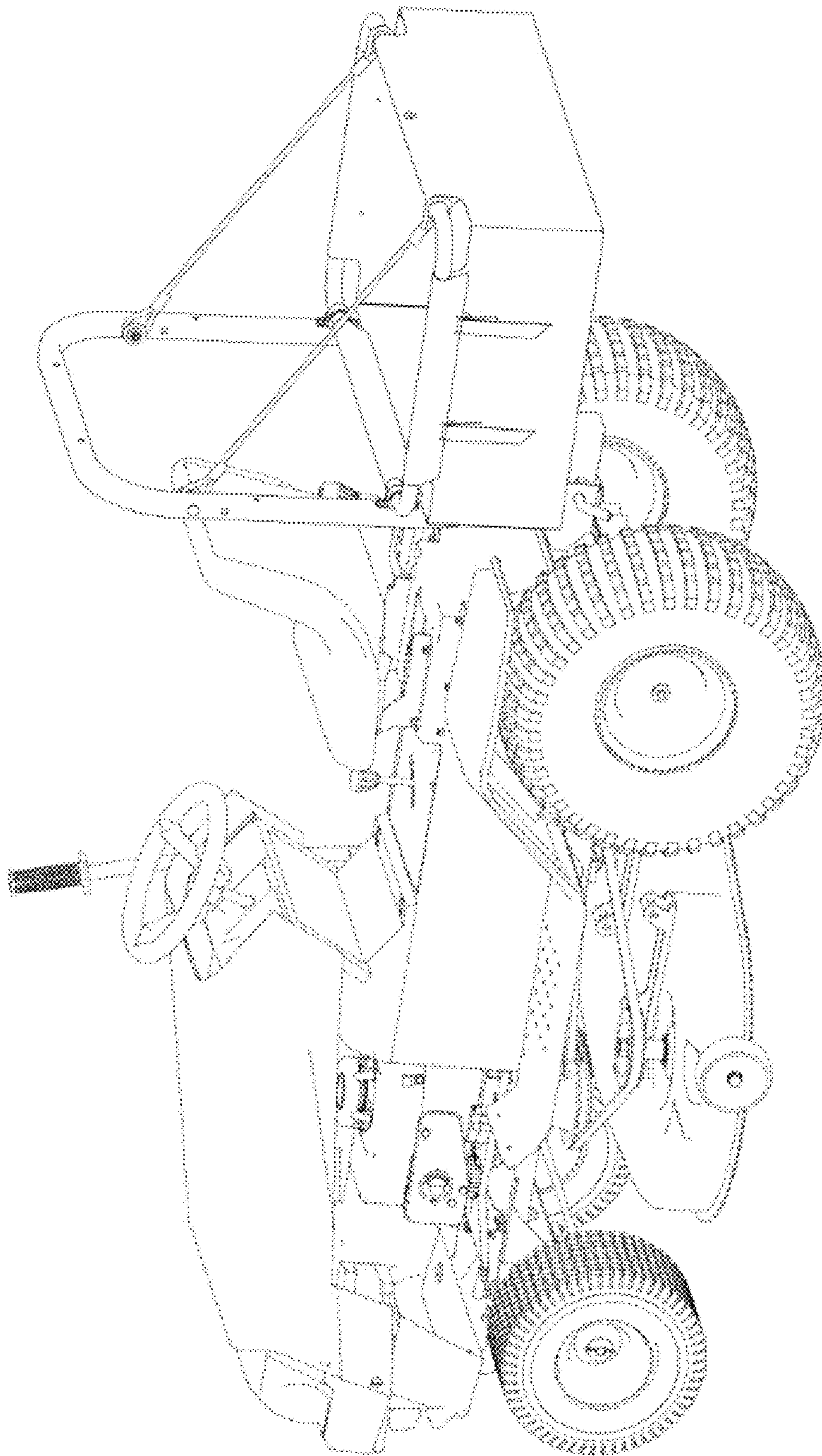


FIG. 8