



US00D868842S

(12) **United States Design Patent** (10) **Patent No.:** **US D868,842 S**
Morris et al. (45) **Date of Patent:** **** Dec. 3, 2019**

(54) **INTELLIGENT FUEL DISPENSER**

(56)

References Cited

(71) Applicant: **Wayne Fueling Systems**, Austin, TX (US)

U.S. PATENT DOCUMENTS

(72) Inventors: **John Joseph Morris**, Austin, TX (US); **Scott R. Negley, III**, Austin, TX (US); **Annika Birkler**, Malmo (SE); **Richard Carlsson**, Malmo (SE); **Randal S. Kretzler**, Austin, TX (US); **Jayson Simeon**, Round Rock, TX (US); **Nathan Careless**, Cedar Park, TX (US); **John Coleman Horton, IV**, Austin, TX (US); **Lucas Wade**, Austin, TX (US); **Casey Branson Garven**, Austin, TX (US)

D270,061 S	8/1983	Ackeret
D287,498 S	12/1986	Monigle et al.
D301,147 S	5/1989	Bass
D342,525 S	12/1993	Bloemen et al.
5,867,403 A	2/1999	Sasnett, Jr. et al.
D413,610 S	9/1999	McSpadden et al.
D413,902 S	9/1999	McSpadden et al.
D414,779 S	10/1999	McSpadden et al.
D415,166 S	10/1999	McSpadden et al.
D418,523 S	1/2000	McSpadden et al.
D429,739 S	8/2000	McSpadden et al.
D494,583 S	8/2004	Guerrera et al.
7,042,712 B2	5/2006	Ghosh et al.
D539,797 S	4/2007	Chiang et al.
D553,648 S	10/2007	Laya et al.
D594,881 S	6/2009	Deline et al.

(Continued)

(73) Assignee: **Wayne Fueling Systems LLC**, Austin, TX (US)

Primary Examiner — Khawaja Anwar

(**) Term: **15 Years**

(74) *Attorney, Agent, or Firm* — Mintz Levin Cohn Ferris Glovsky and Popeo, P.C.

(21) Appl. No.: **29/647,307**

(57)

CLAIM

(22) Filed: **May 11, 2018**

The ornamental design for an intelligent fuel dispenser.

DESCRIPTION

Related U.S. Application Data

(62) Division of application No. 29/599,254, filed on Mar. 31, 2017, now Pat. No. Des. 820,323.

(51) **LOC (12) Cl.** **15-03**

(52) **U.S. Cl.**
USPC **D15/9**

(58) **Field of Classification Search**
USPC D15/7-9.3; D23/231, 232, 225
CPC ... B67D 5/22; B67D 5/12; B67D 5/08; B67D 5/06; B67D 7/08; B67D 7/00; G06F 7/08; D67D 7/12; D67D 7/04; A01K 15/023
See application file for complete search history.

FIG. 1 is a front view of a fuel dispenser, showing our new design;

FIG. 2 is a back view of the fuel dispenser of FIG. 1;

FIG. 3 is a left side view of the fuel dispenser of FIG. 1;

FIG. 4 is a right side view of the fuel dispenser of FIG. 1;

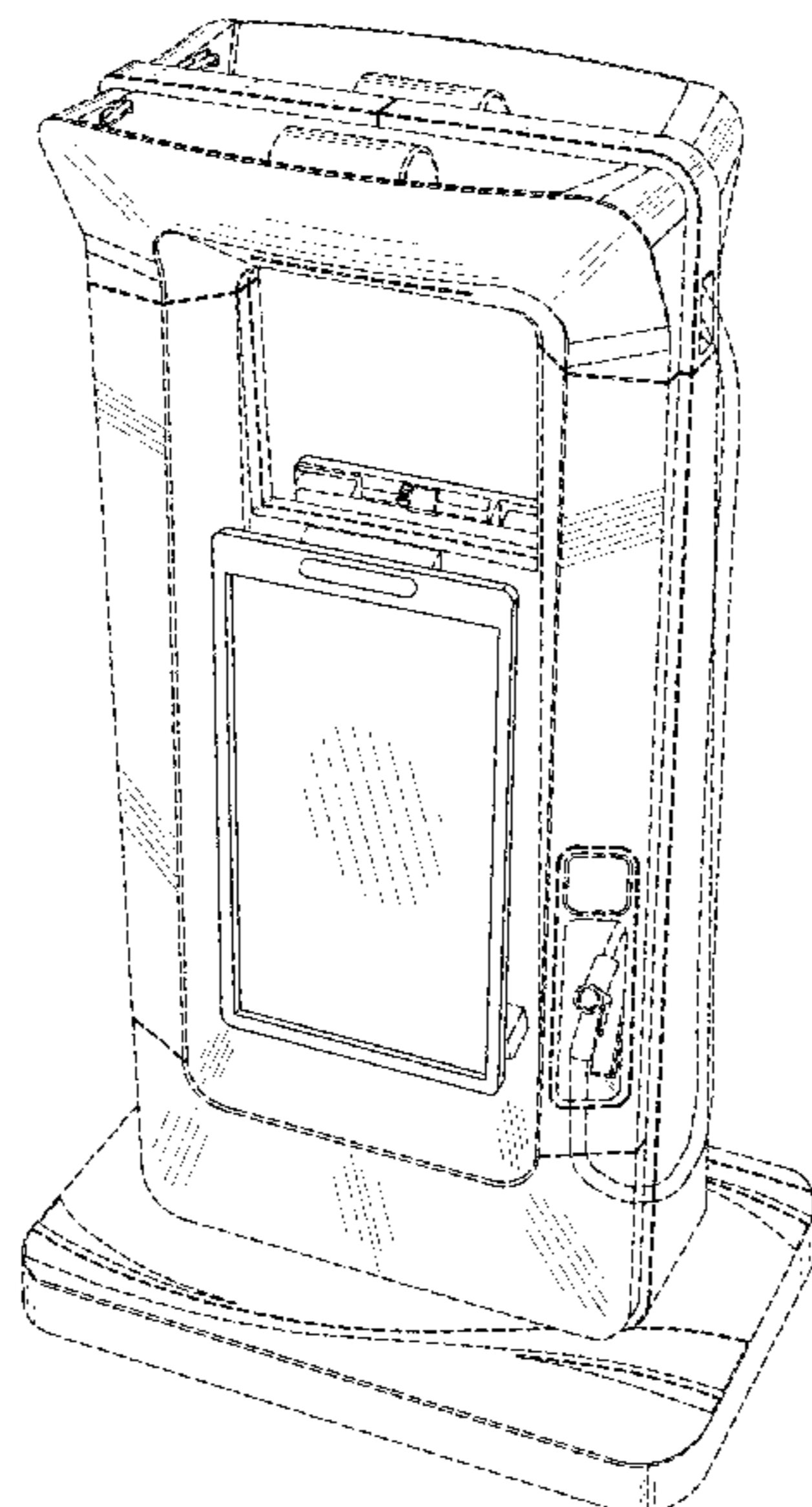
FIG. 5 is a top view of the fuel dispenser of FIG. 1;

FIG. 6 is a bottom view of the fuel dispenser of FIG. 1; and,

FIG. 7 is a front perspective view of the fuel dispenser of FIG. 1.

The broken lines shown in drawings show portions of the fuel dispenser that form no part of the claimed design.

1 Claim, 7 Drawing Sheets



(56)

References Cited

U.S. PATENT DOCUMENTS

D599,792 S	9/2009	Lin	
D616,884 S	6/2010	Kim et al.	
D636,770 S	4/2011	Li	
7,948,376 B2	5/2011	DeLine	
D651,601 S	1/2012	Ichise	
D672,345 S	12/2012	Li	
D687,432 S	8/2013	Duan et al.	
D688,274 S	8/2013	Schmelzer et al.	
D688,275 S	8/2013	Schmelzer et al.	
D690,691 S	10/2013	Hoshi et al.	
D691,996 S	10/2013	Ohshima	
D701,850 S	4/2014	Kim et al.	
D718,338 S *	11/2014	Helgesson	D15/9.2
D745,510 S	12/2015	Lee	
D745,511 S	12/2015	Lee et al.	
D745,512 S	12/2015	Lee et al.	
D747,717 S	1/2016	Kim et al.	
D750,621 S	3/2016	Loor Canizares et al.	
D755,783 S	5/2016	Shi et al.	
D763,847 S	8/2016	Lee	
D775,123 S	12/2016	Guimaraes et al.	
D795,249 S	8/2017	Wall et al.	
D801,330 S	10/2017	Morgan	
D820,323 S	6/2018	Morris et al.	
D828,405 S *	9/2018	Lee	D15/9.1
10,192,381 B2 *	1/2019	Fieglein	G07F 9/10

* cited by examiner

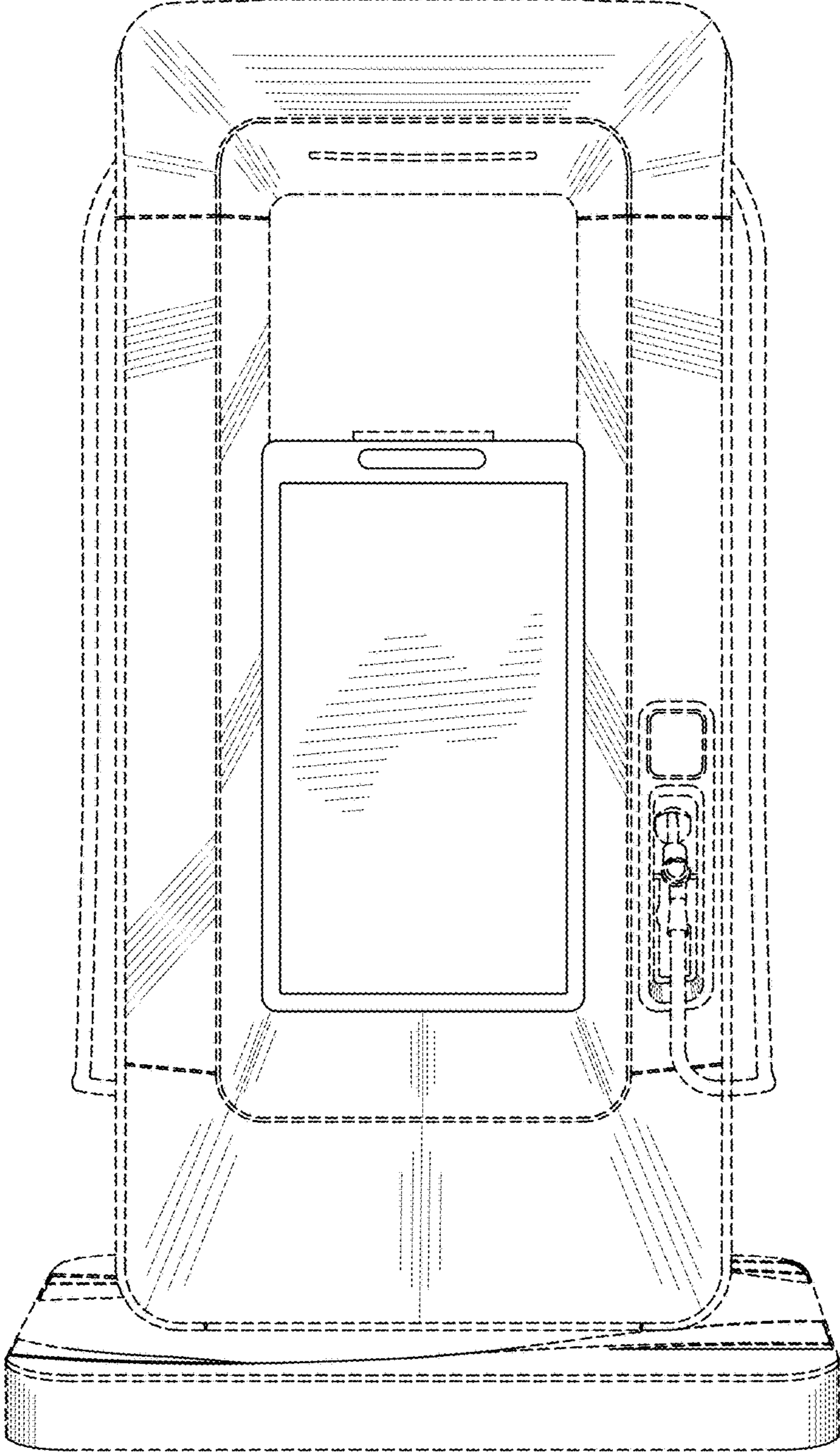


FIG. 1

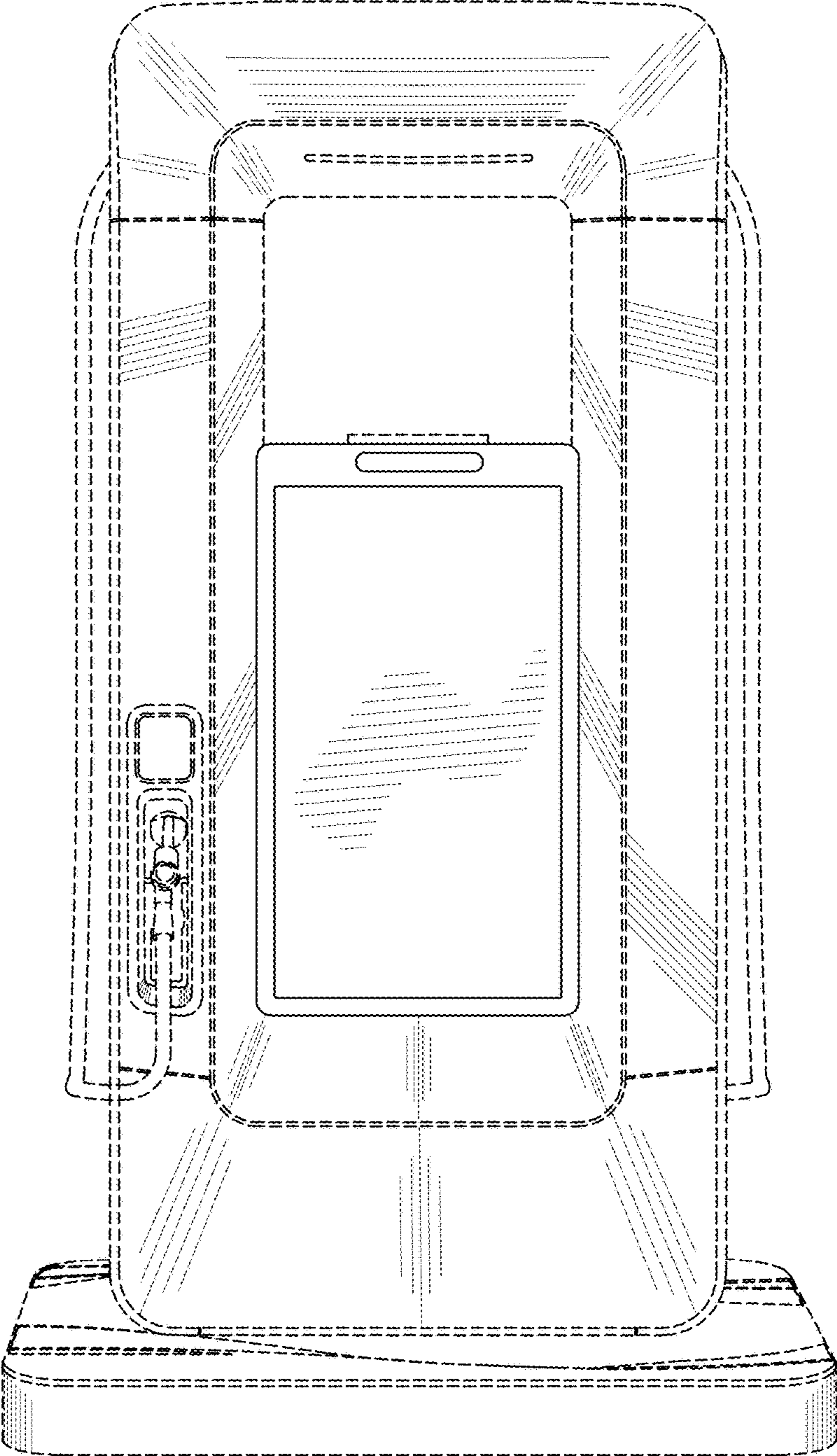


FIG. 2

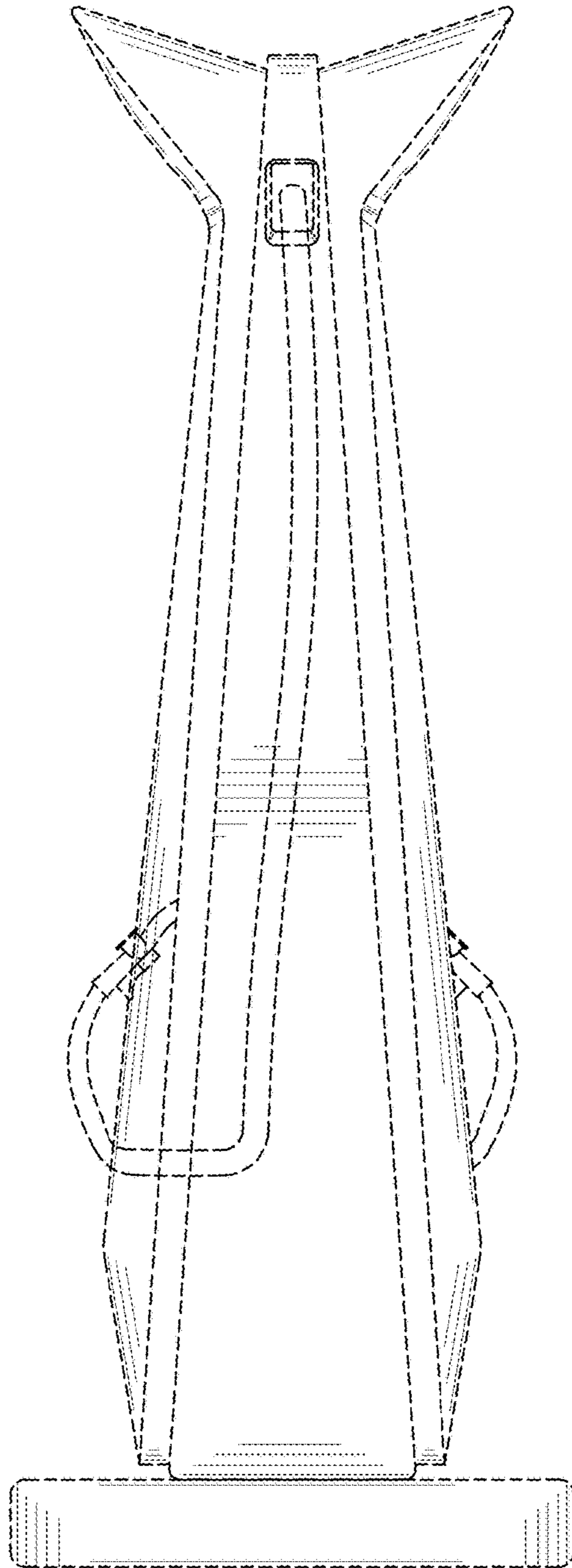


FIG. 3

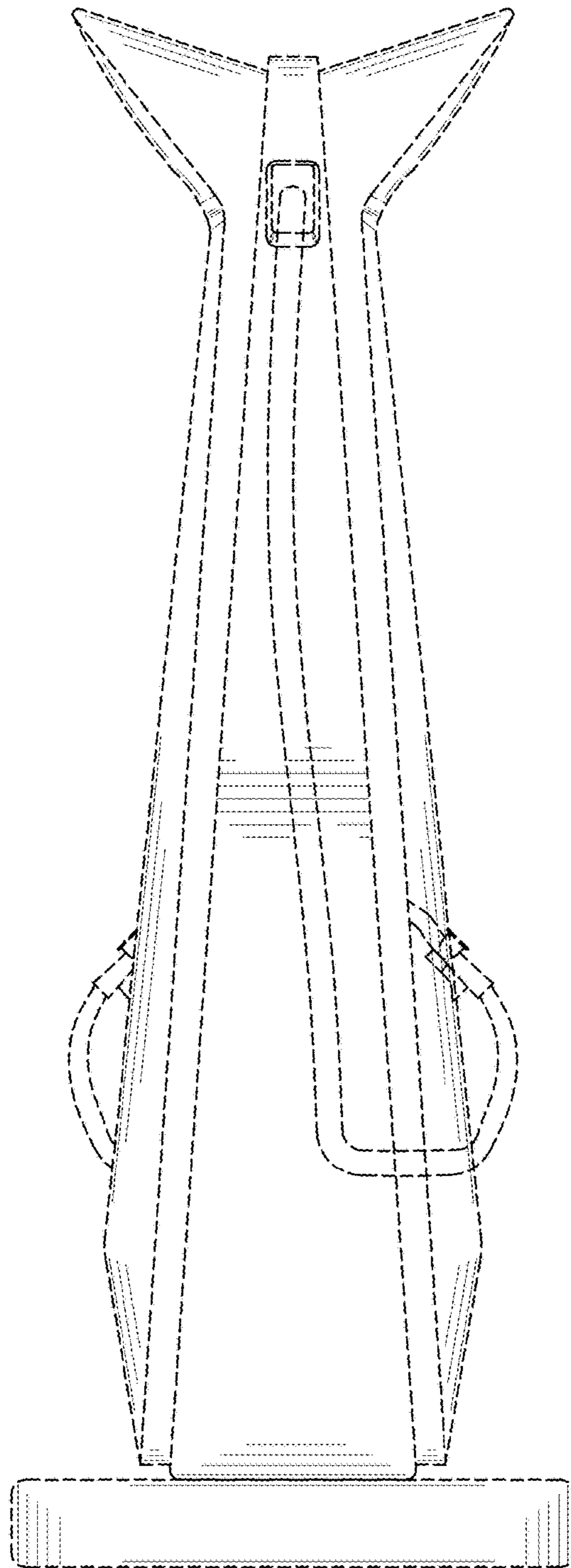


FIG. 4

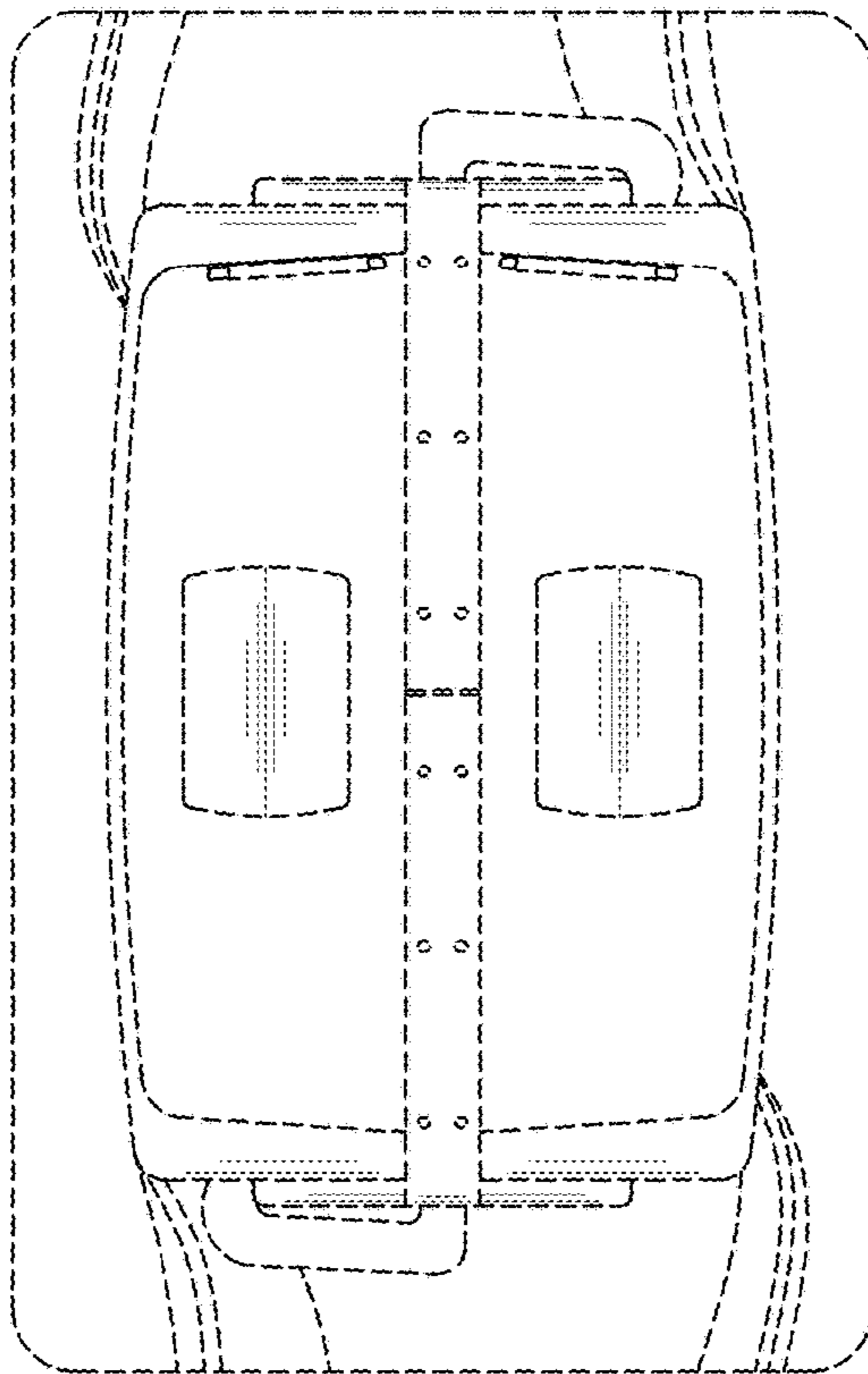


FIG. 5

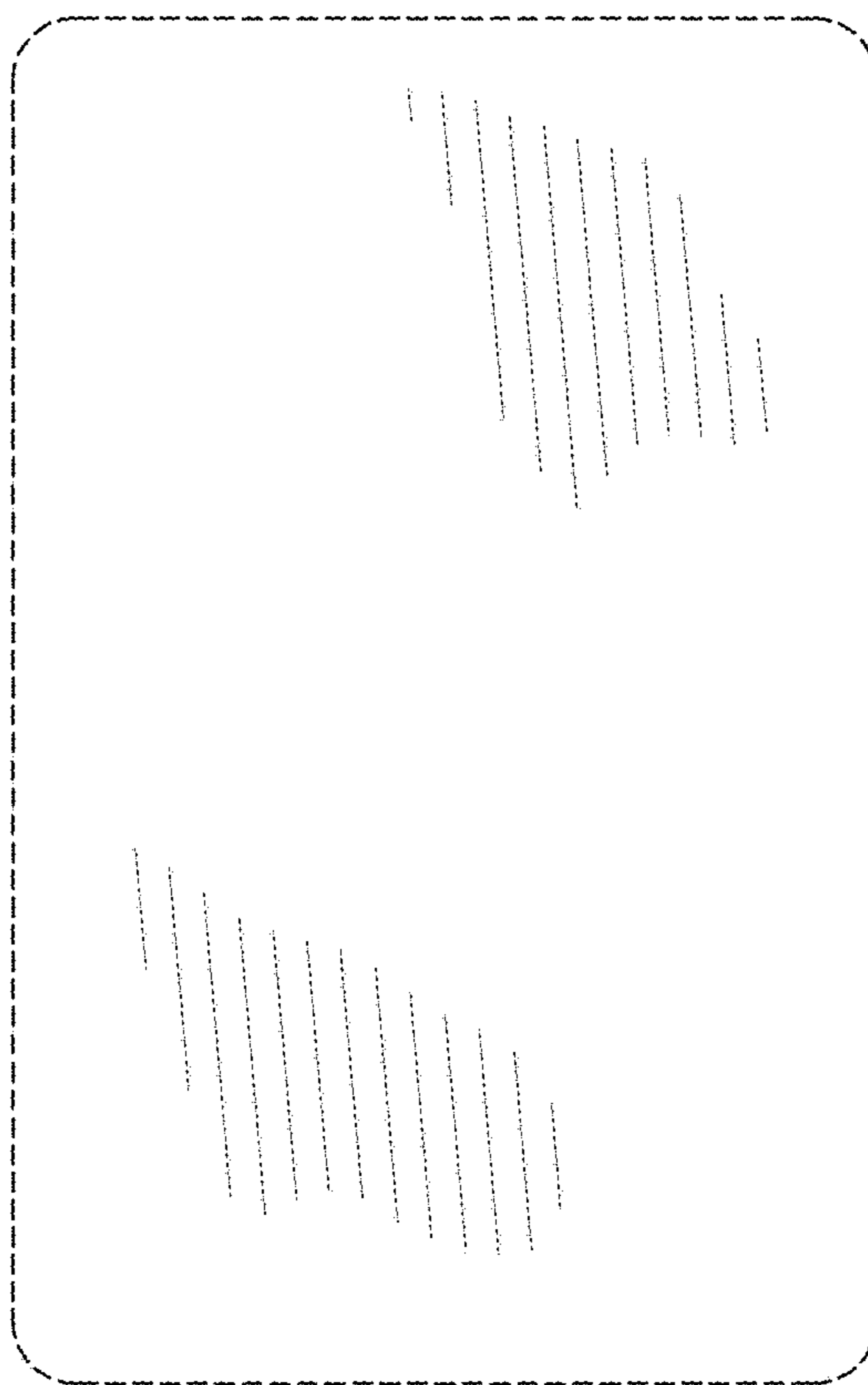


FIG. 6

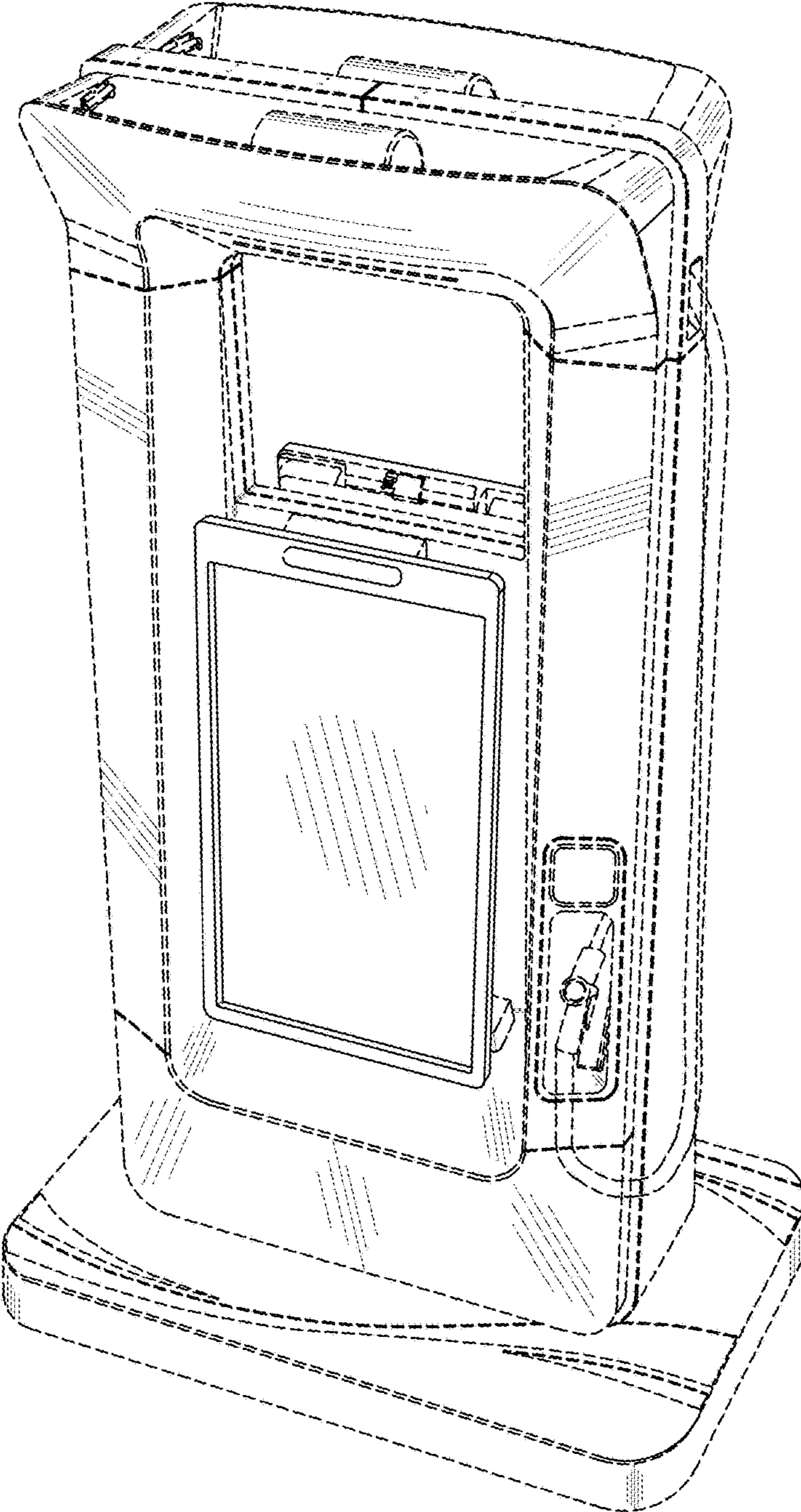


FIG. 7