



US00D868841S

(12) **United States Design Patent**
Zaytsev et al.

(10) **Patent No.:** **US D868,841 S**

(45) **Date of Patent:** **** Dec. 3, 2019**

(54) **COMPRESSOR**

(71) Applicant: **GEA Refrigeration Germany GmbH**,
Berlin (DE)

(72) Inventors: **Dmytro Zaytsev**, Rosmalen (NL);
Thomas Nippert, Berlin (DE)

(73) Assignee: **GEA REFRIGERATION GERMANY GMBH** (DE)

(**) Term: **15 Years**

(21) Appl. No.: **29/631,057**

(22) Filed: **Dec. 27, 2017**

(30) **Foreign Application Priority Data**

Jun. 27, 2017 (DE) 40 2017 202 081

(51) **LOC (12) Cl.** **15-03**

(52) **U.S. Cl.**
USPC **D15/9**

(58) **Field of Classification Search**

USPC D15/7-9; D23/231, 232, 225
CPC F02M 37/04; F02M 37/14; F04B 53/92;
F04B 1/005; F04B 27/0414; F04D 13/06;
F04D 29/22; F04D 29/046; F04D
29/2266

See application file for complete search history.

(56) **References Cited**

U.S. PATENT DOCUMENTS

6,401,472 B2 * 6/2002 Pollrich F04B 27/0414
417/213
D467,254 S * 12/2002 Ullrich D15/9

D479,247 S * 9/2003 Ullrich D15/9
D531,194 S * 10/2006 Hertenstein D15/9
D538,826 S * 3/2007 Kienzle D15/9
D690,324 S * 9/2013 Kienzle D15/9
D717,344 S * 11/2014 Ohser D15/9
D745,896 S * 12/2015 Ohser D15/9
D770,538 S * 11/2016 Li D15/9
D777,213 S * 1/2017 Ohser D15/9
D828,402 S * 9/2018 Sandkotter D15/9
D828,403 S * 9/2018 Sandkotter D15/9

* cited by examiner

Primary Examiner — Khawaja Anwar

(74) *Attorney, Agent, or Firm* — Ostrolenk Faber LLP

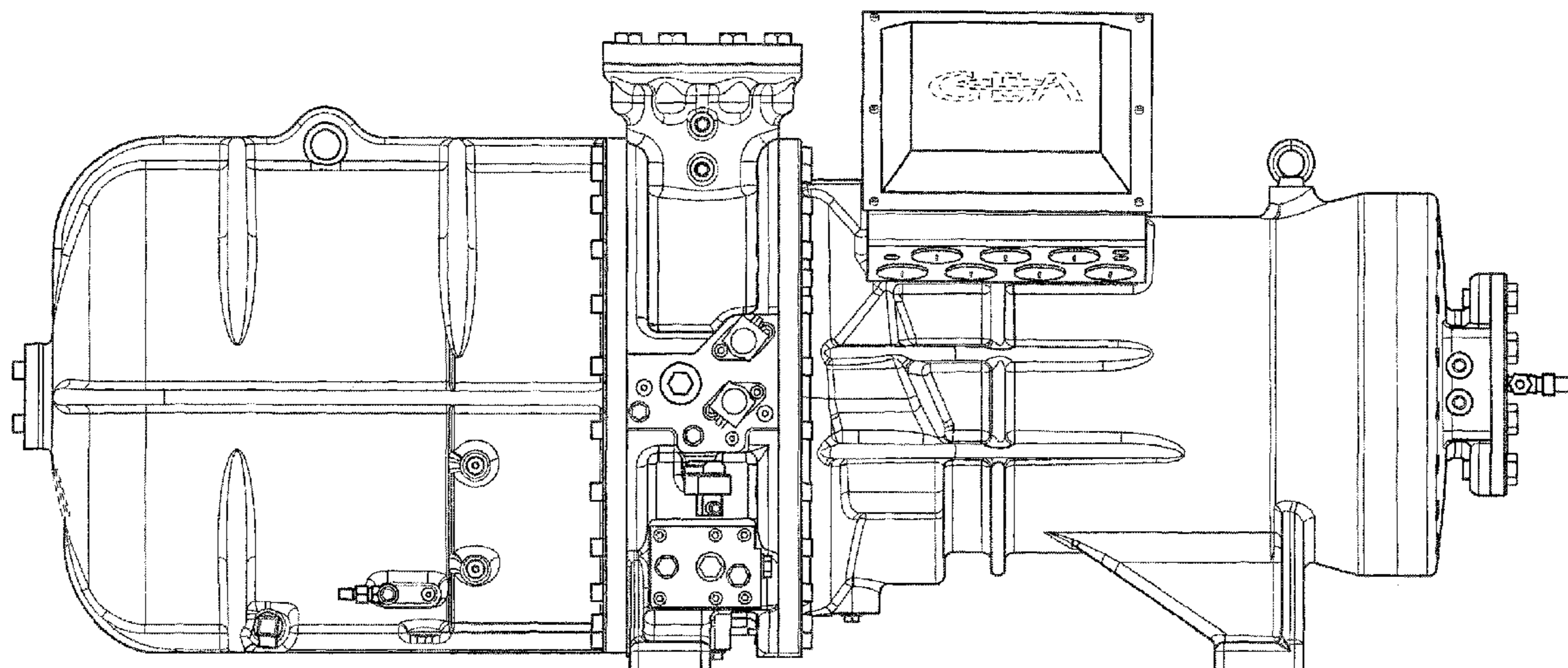
(57) **CLAIM**

The ornamental design for compressor, as shown and described.

DESCRIPTION

FIG. 1 is a left side view of a compressor showing our new design;
FIG. 2 is a right side view thereof;
FIG. 3 is a front view thereof;
FIG. 4 is a rear view thereof;
FIG. 5 is a top view thereof;
FIG. 6 is a bottom view thereof;
FIG. 7 is a top, front, left side perspective view thereof; and,
FIG. 8 is a top, rear, right side perspective view thereof.
The letters GEA are a trademark shown in broken lines and form no part of the claimed design.

1 Claim, 8 Drawing Sheets



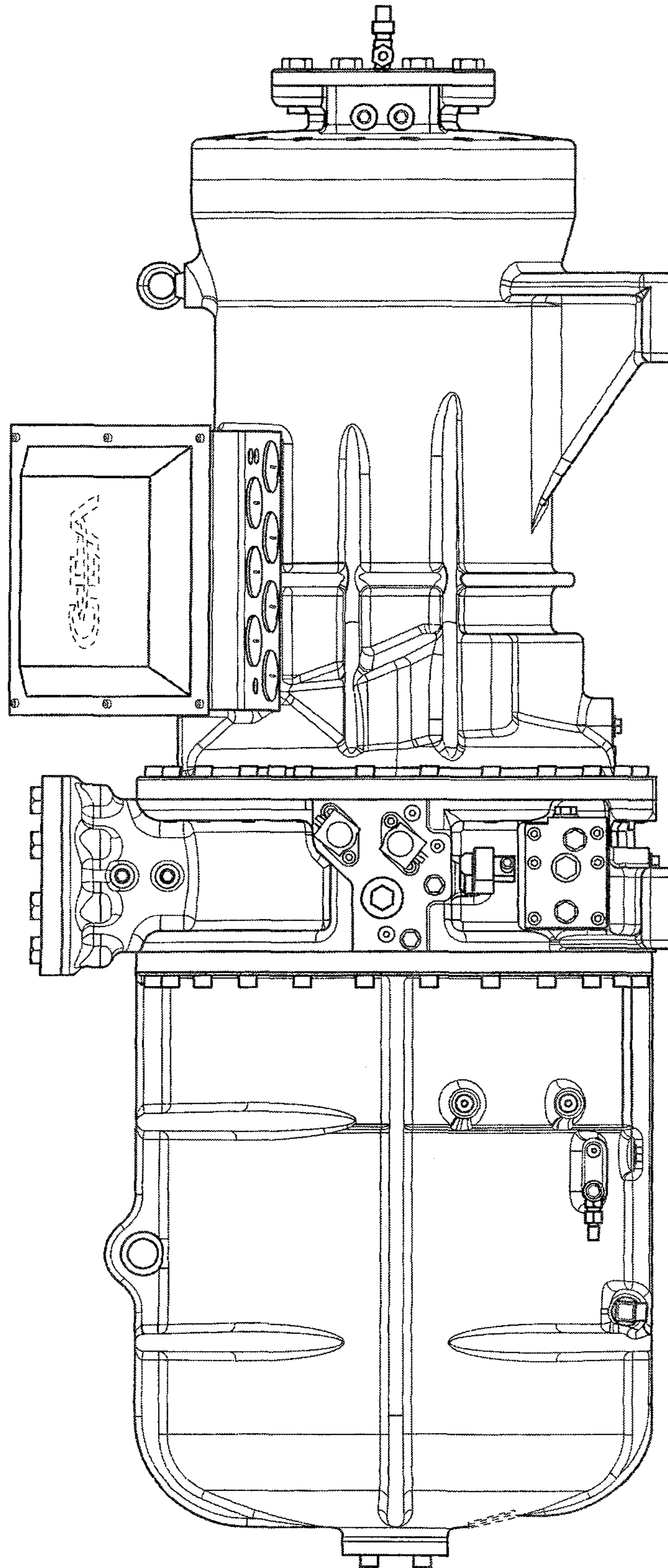


FIG. 1

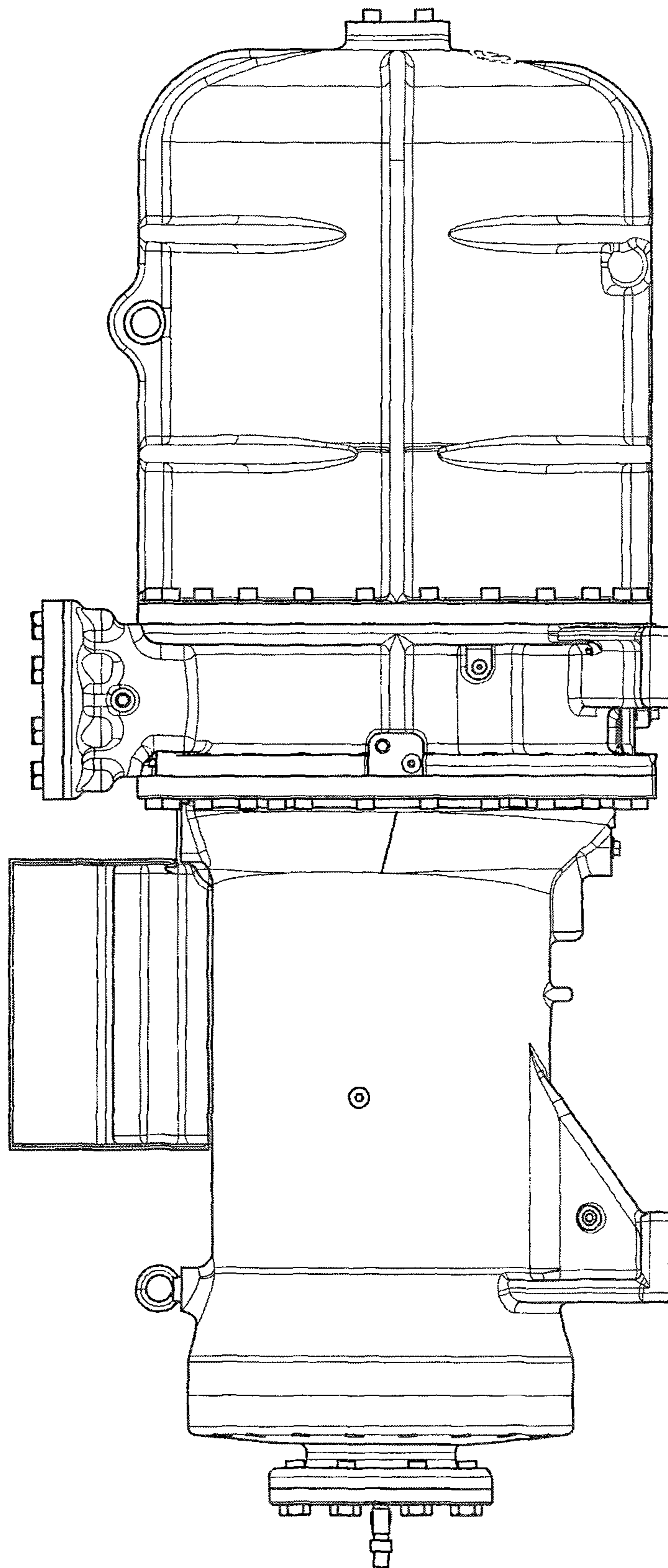


FIG. 2

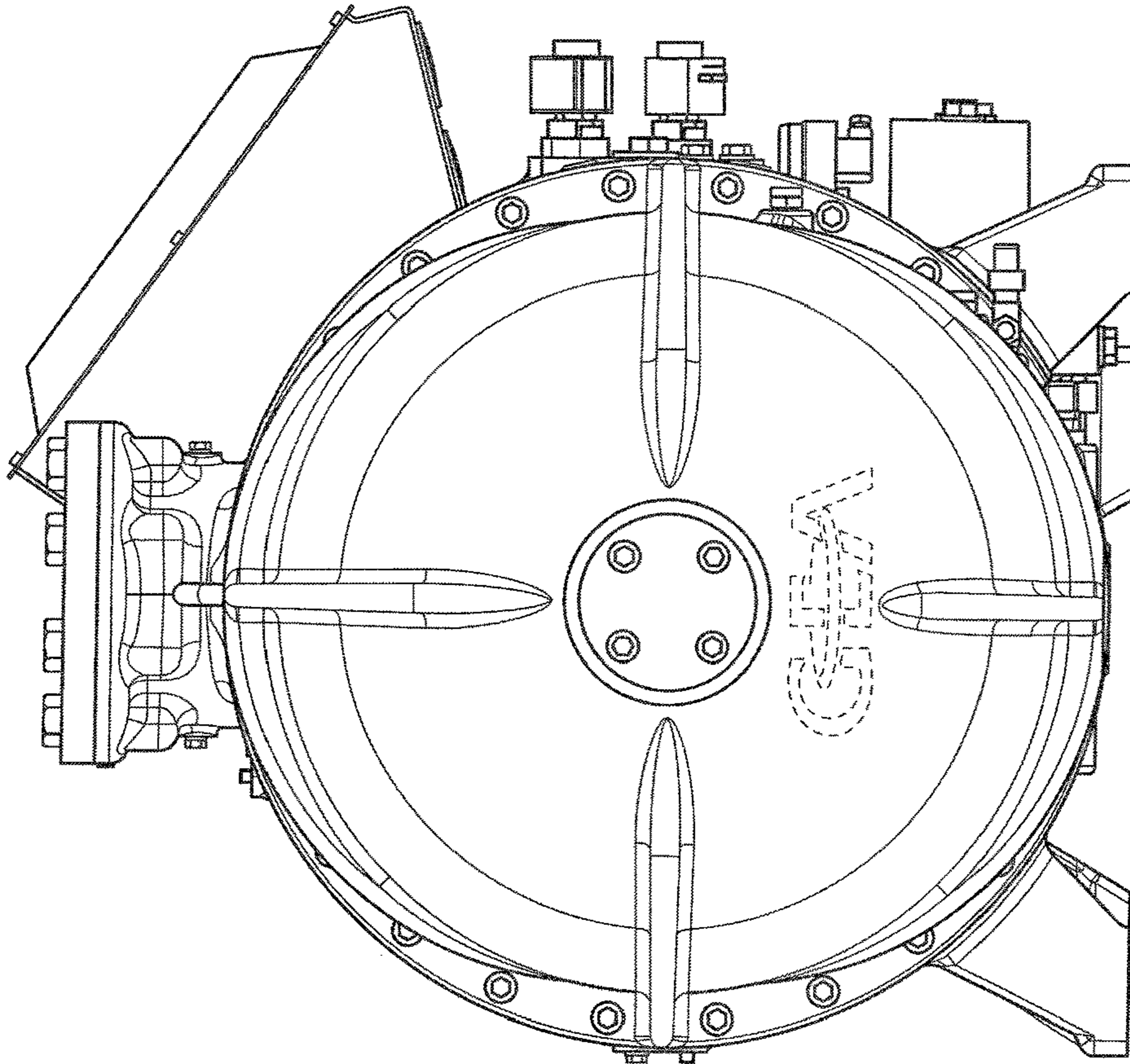


FIG. 3

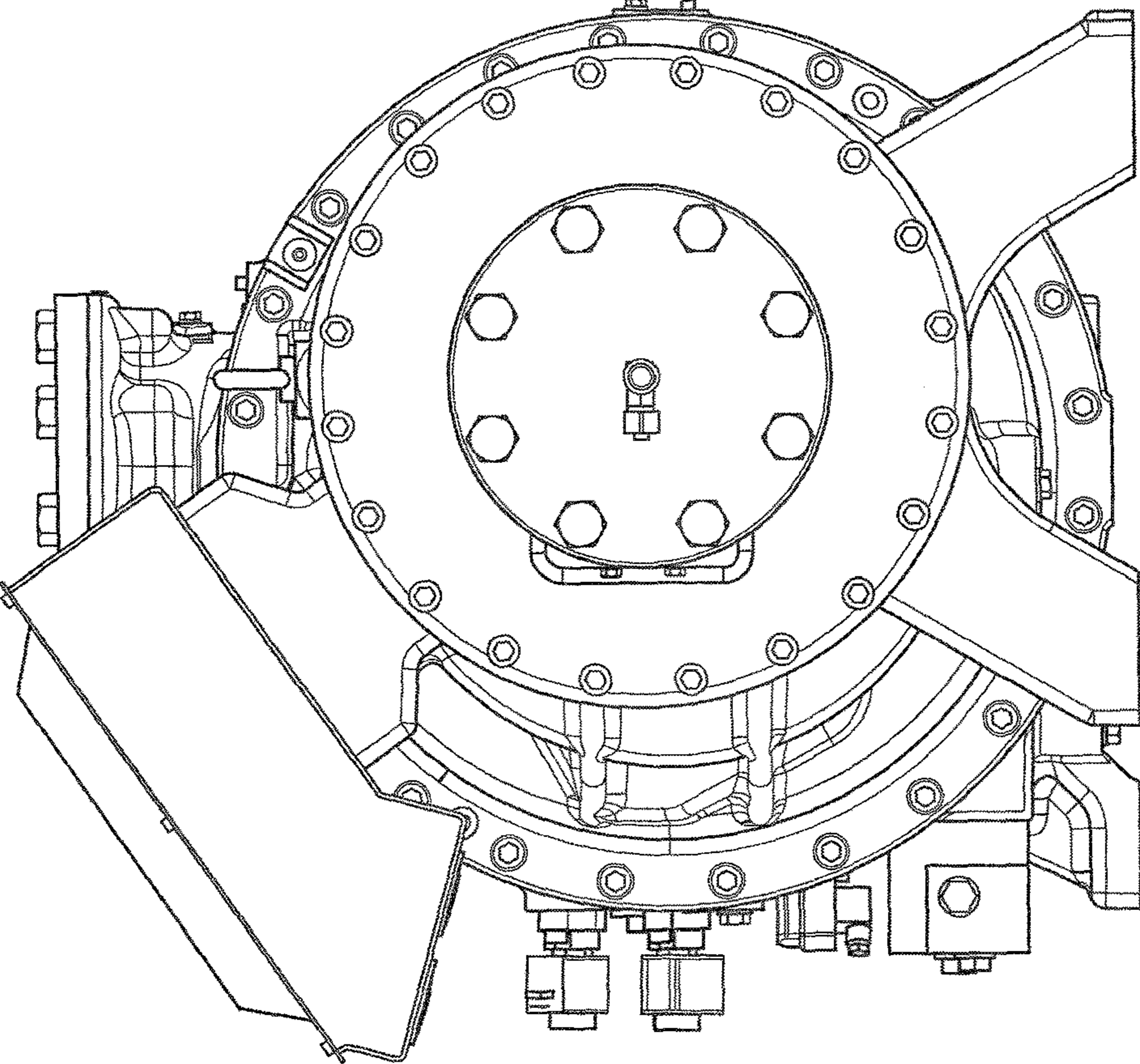


FIG. 4

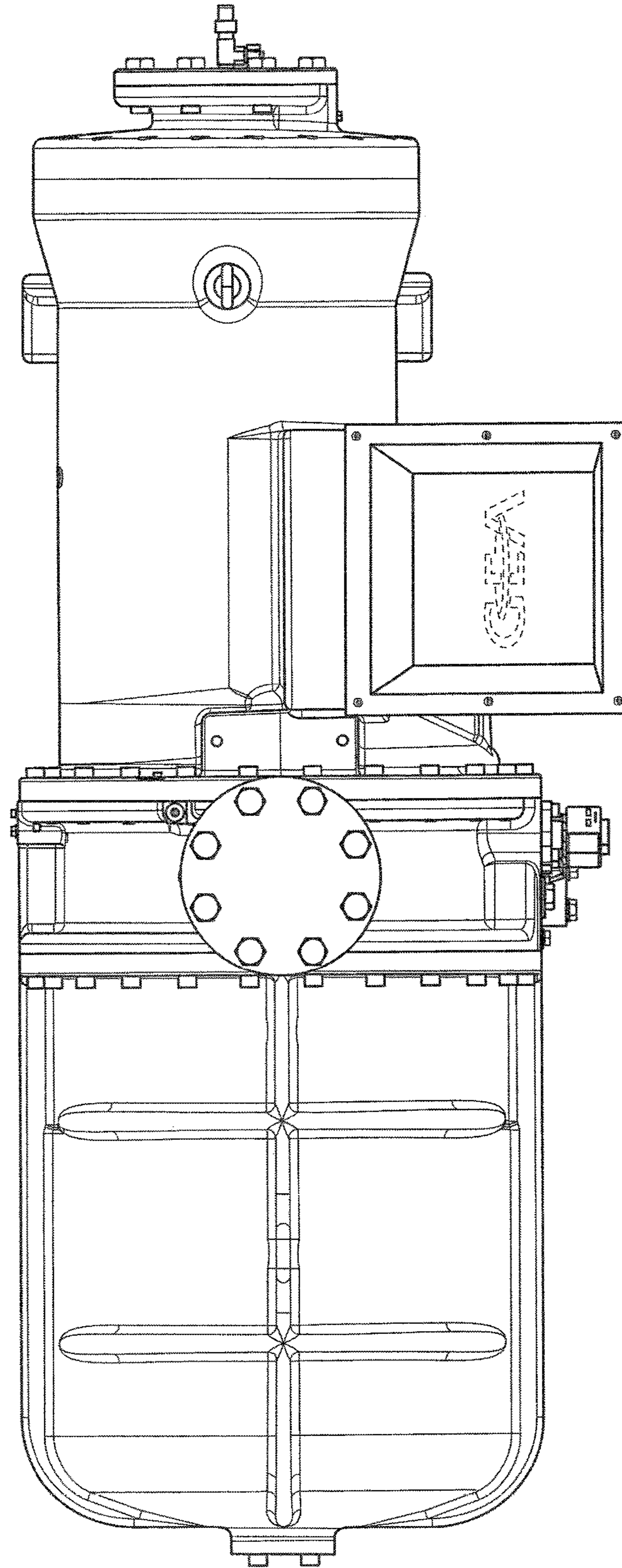


FIG. 5

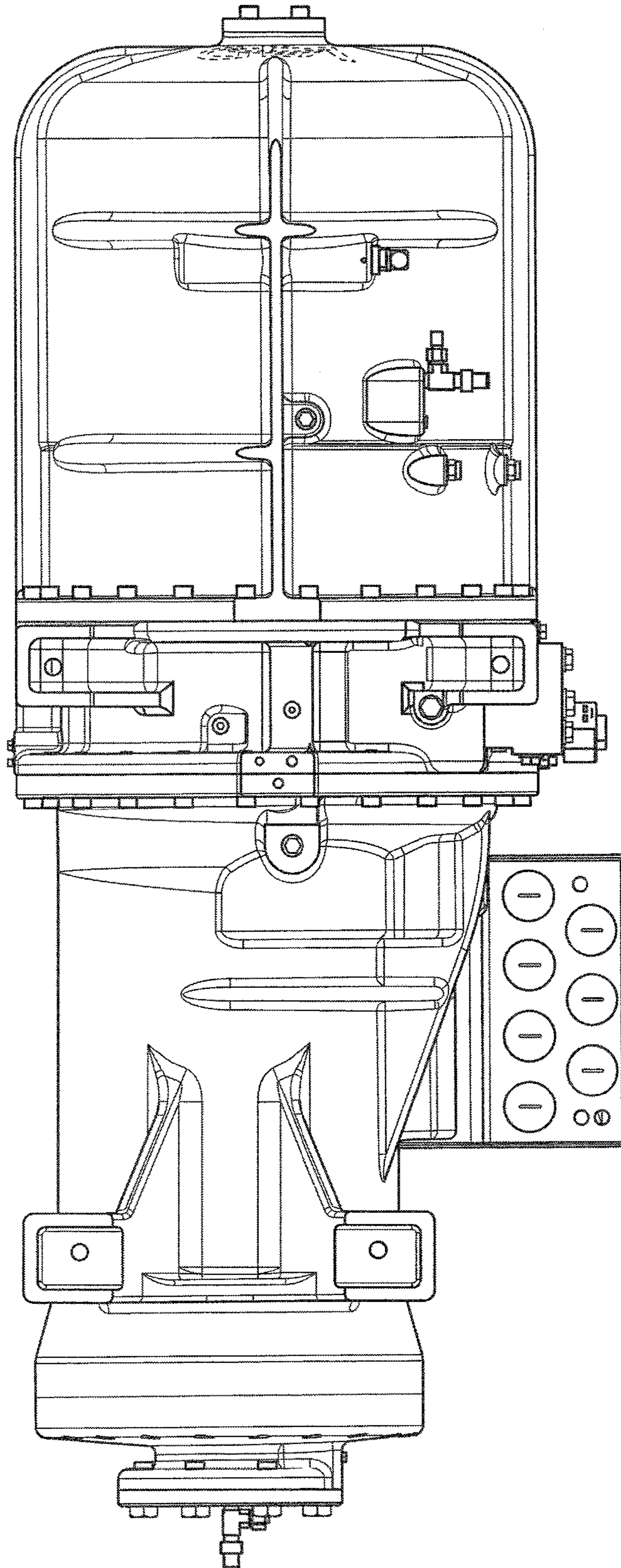


FIG. 6

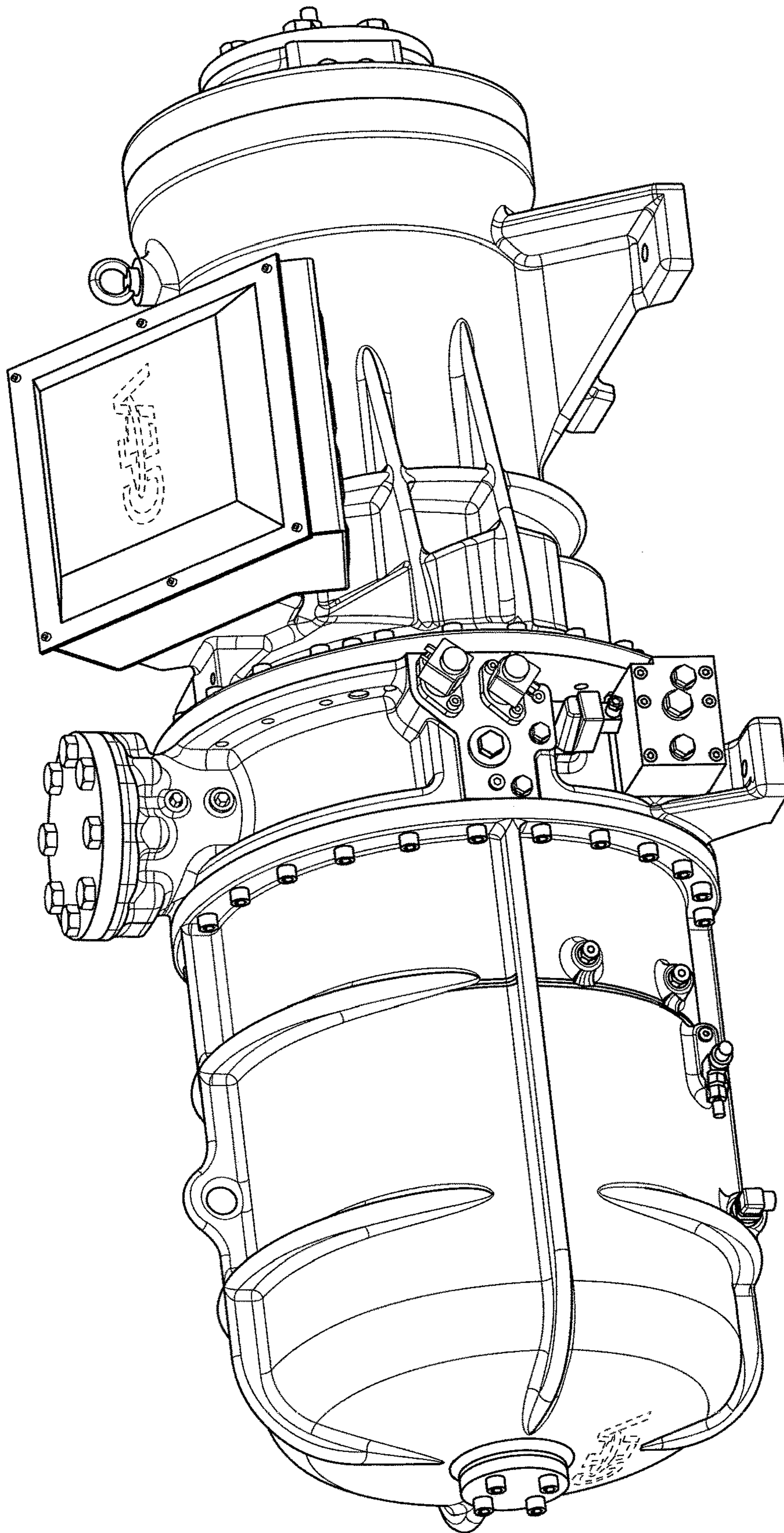


FIG. 7

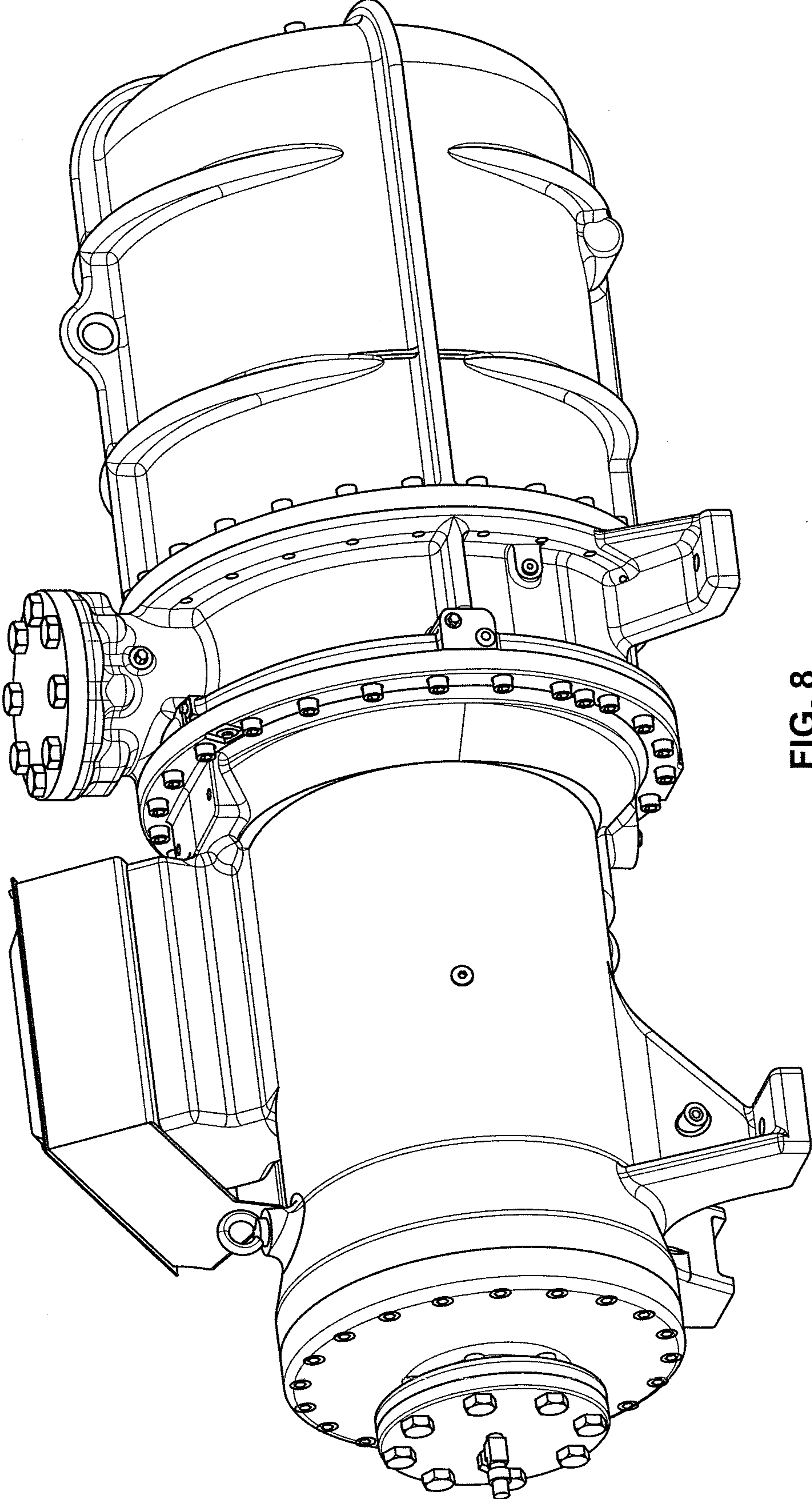


FIG. 8