



US00D868840S

(12) **United States Design Patent** (10) **Patent No.:** **US D868,840 S**
Si (45) **Date of Patent:** **** Dec. 3, 2019**

(54) **AUTOMOBILE INFLATOR PUMP**
(71) Applicant: **Shenzhen BaoBei Yuan Technology Co., Ltd, Shenzhen (CN)**
(72) Inventor: **Yuan Si, Shenzhen (CN)**
(**) Term: **15 Years**
(21) Appl. No.: **29/659,761**
(22) Filed: **Aug. 11, 2018**
(51) **LOC (12) Cl.** **15-02**
(52) **U.S. Cl.**
USPC **D15/7**
(58) **Field of Classification Search**
USPC D15/7-9; D23/231, 232
CPC F04B 41/00-41/06; F04B 31/00; F04B 35/00; F04B 53/92; F04B 1/005; F02M 37/04; F02M 37/14
See application file for complete search history.

D734,367 S * 7/2015 Jhou D15/9
D737,864 S * 9/2015 Jhou D15/9
D751,121 S * 3/2016 Spindler D15/9
D778,959 S * 2/2017 Marini D15/7
D800,788 S * 10/2017 Petersen D15/7
D823,346 S * 7/2018 Petersen D15/7
D831,075 S * 10/2018 Zheng D15/7
D832,889 S * 11/2018 Zheng D15/7
D838,747 S * 1/2019 Gan D15/7
D838,748 S * 1/2019 Gan D15/7
D838,749 S * 1/2019 Gan D15/7

* cited by examiner

Primary Examiner — Mitchell I. Siegel
(74) *Attorney, Agent, or Firm* — Erson IP (Nelson IP)

(57) **CLAIM**

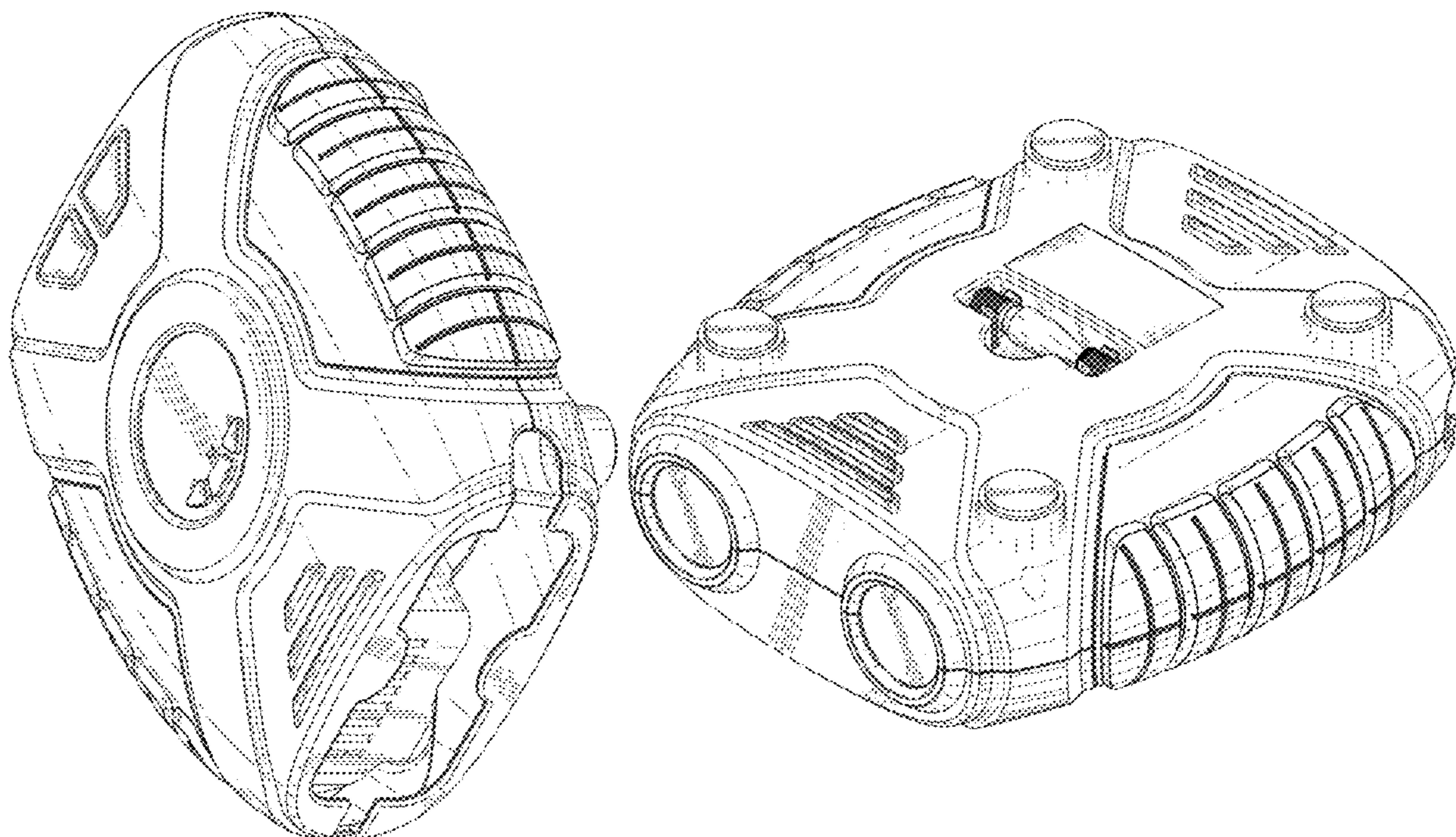
The ornamental design for an automobile inflator pump, as shown and described.

DESCRIPTION

FIG. 1 is a perspective view of an automobile inflator pump showing my new design;
FIG. 2 is another perspective view thereof;
FIG. 3 is a front view thereof;
FIG. 4 is a rear view thereof;
FIG. 5 is a left side view thereof;
FIG. 6 is a right side view thereof;
FIG. 7 is a top plan view thereof; and,
FIG. 8 is a bottom plan view thereof.
The broken lines are for the purposes of illustrating portions of the automobile inflator pump and form no part of the claimed design.

(56) **References Cited**
U.S. PATENT DOCUMENTS
D471,209 S * 3/2003 Wang D15/9
D582,945 S * 12/2008 Chou D15/9
D670,313 S * 11/2012 Ohm D15/7
D672,367 S * 12/2012 Stansbury D15/7
D672,368 S * 12/2012 Wong D15/9
D678,351 S * 3/2013 Wong D15/9
D695,319 S * 12/2013 Ohm D15/9
D700,915 S * 3/2014 Damhuis D15/7
D723,588 S * 3/2015 Wang D15/9
D727,972 S * 4/2015 Jhou D15/9

1 Claim, 8 Drawing Sheets



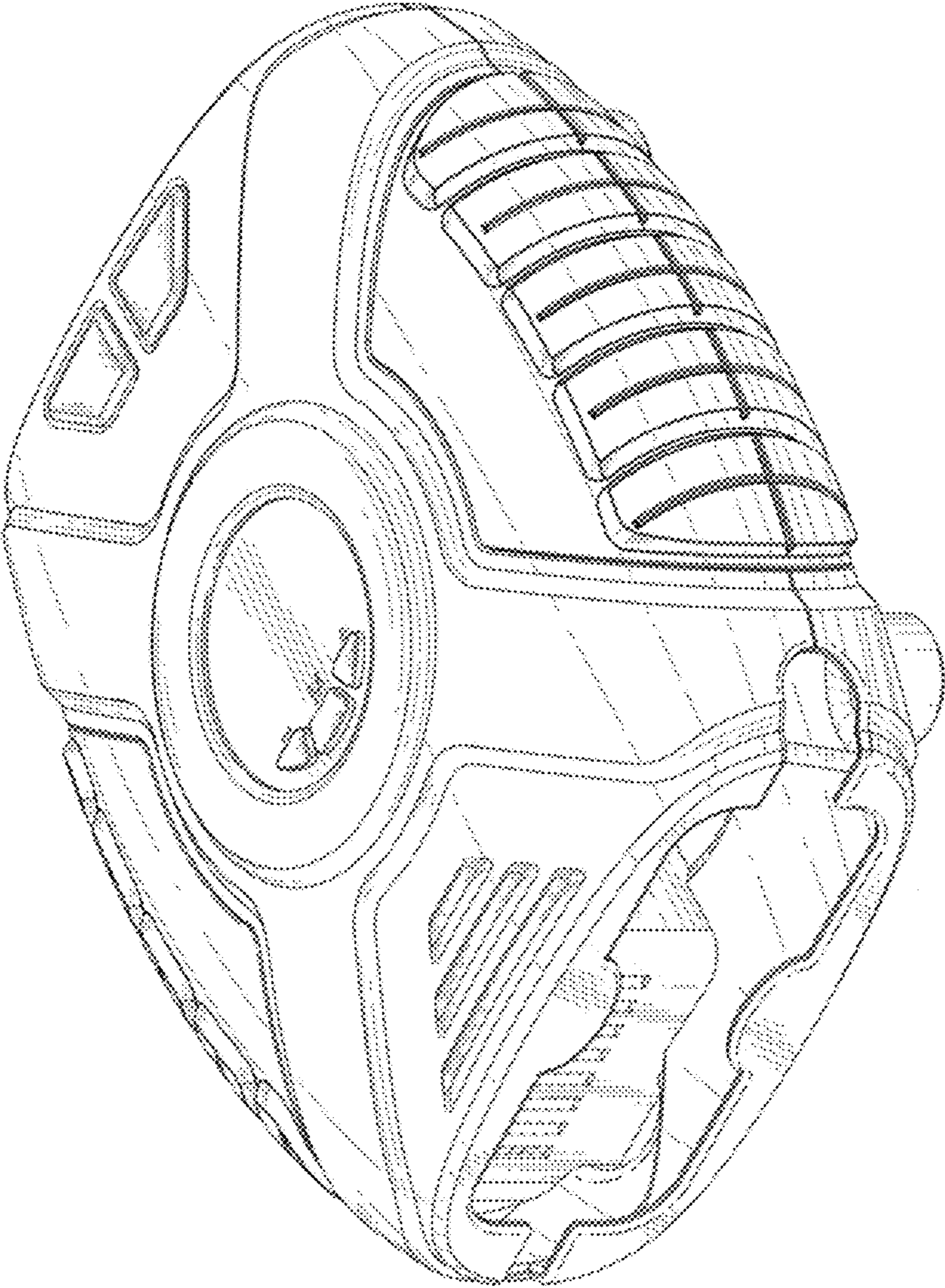


Fig. 1

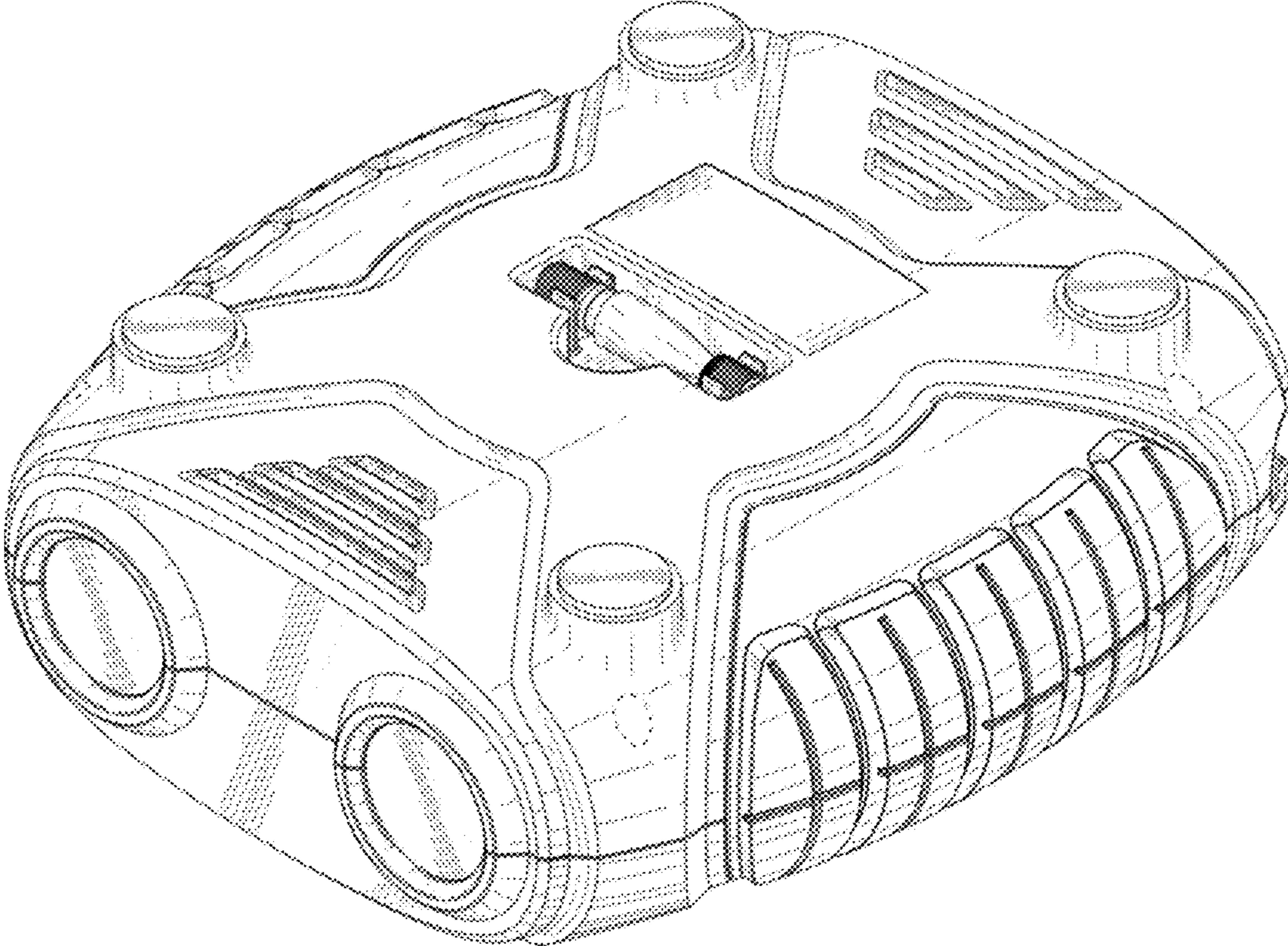


Fig. 2

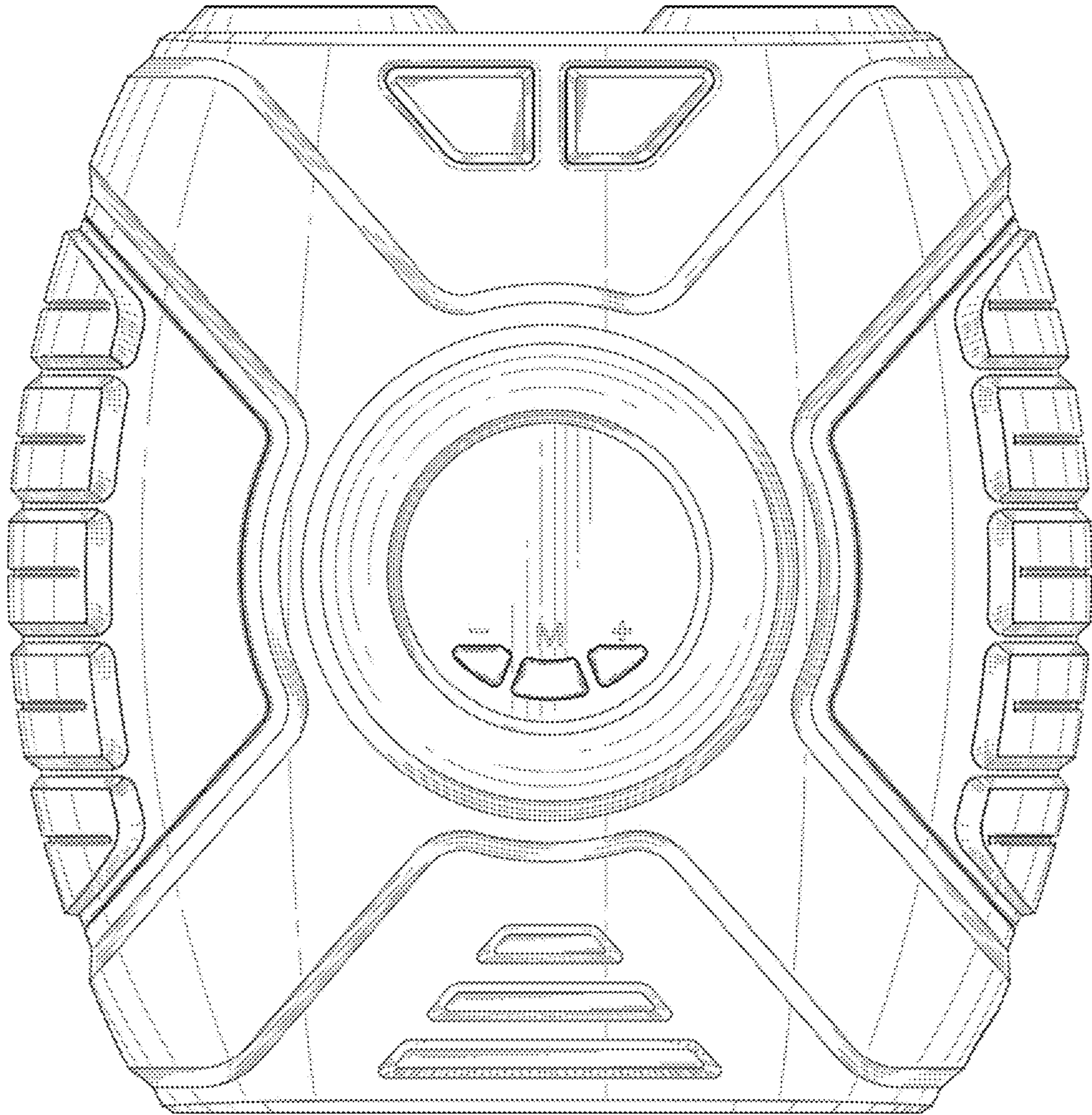


Fig. 3

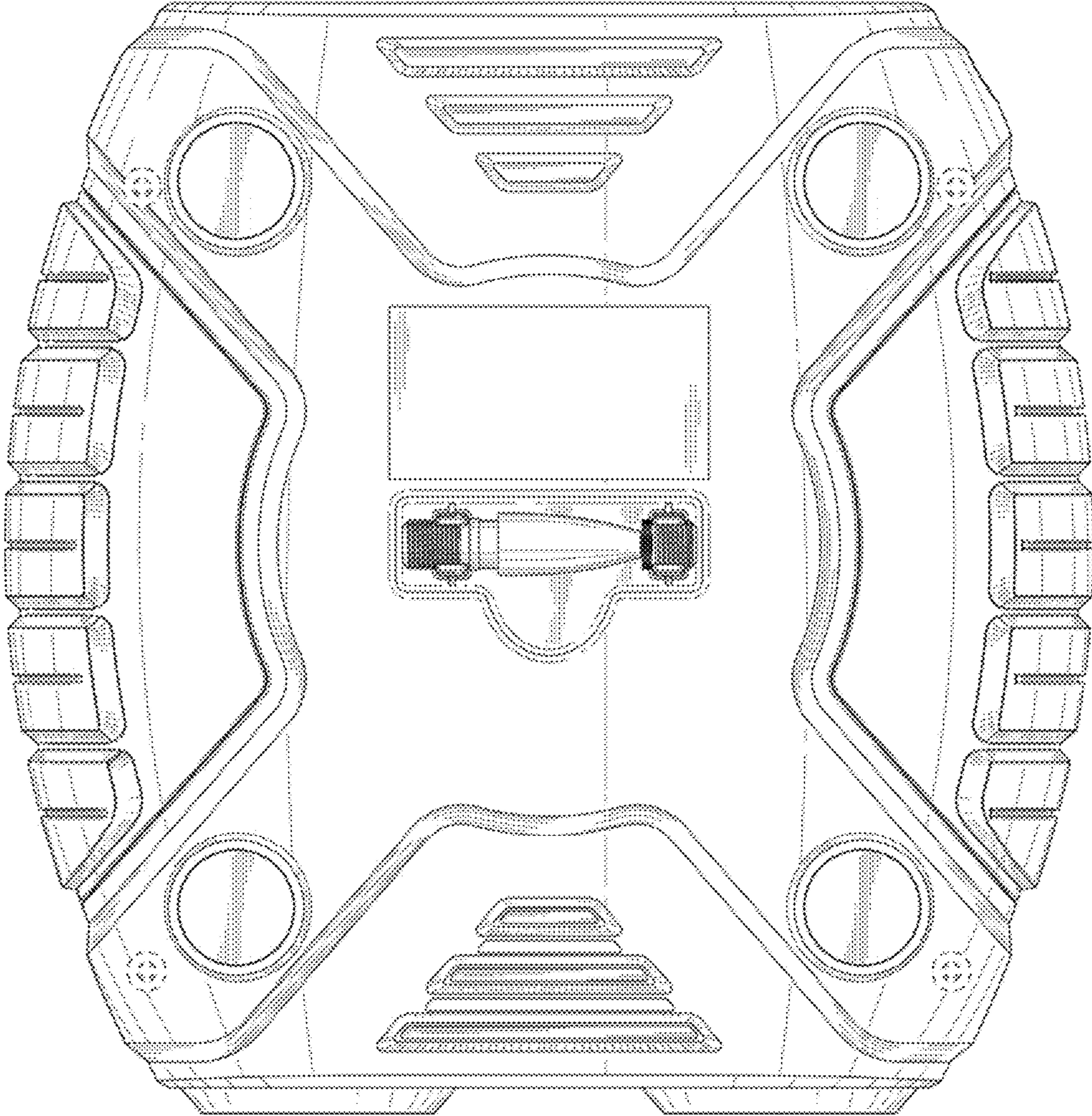


Fig. 4

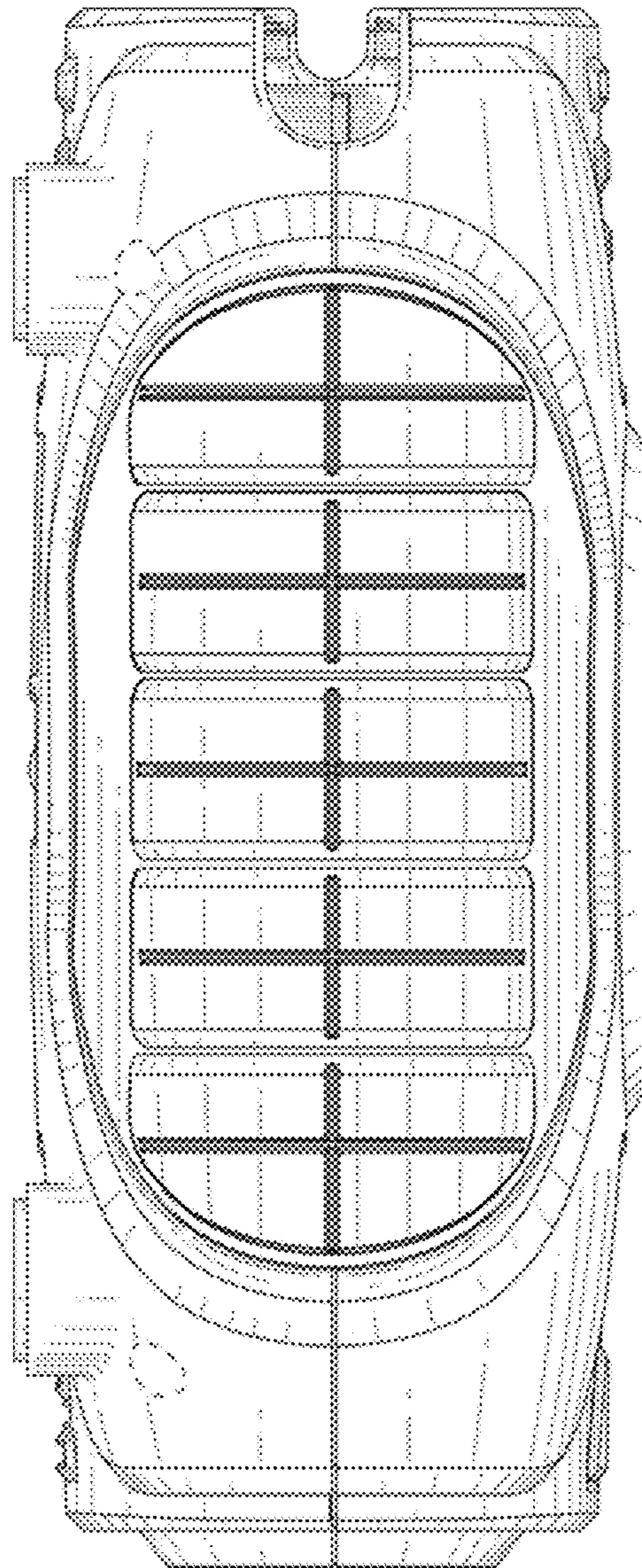


Fig. 5

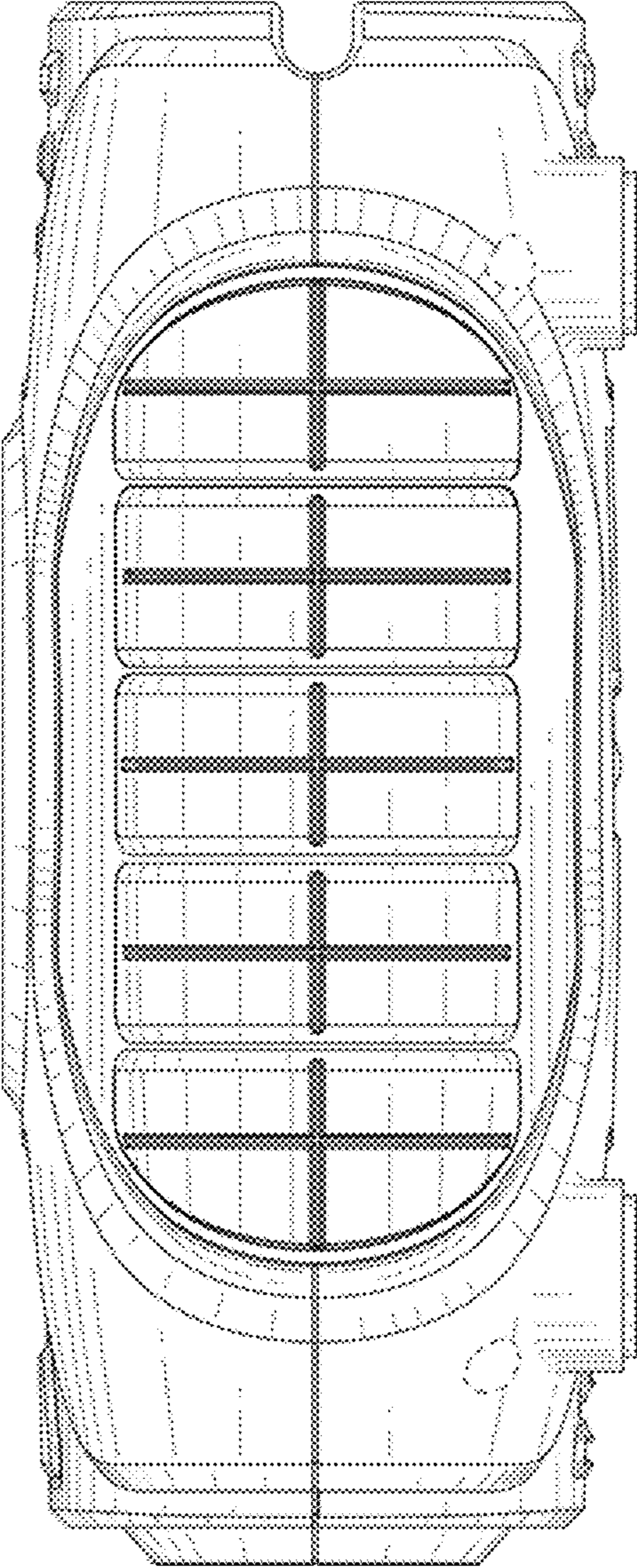


Fig. 6

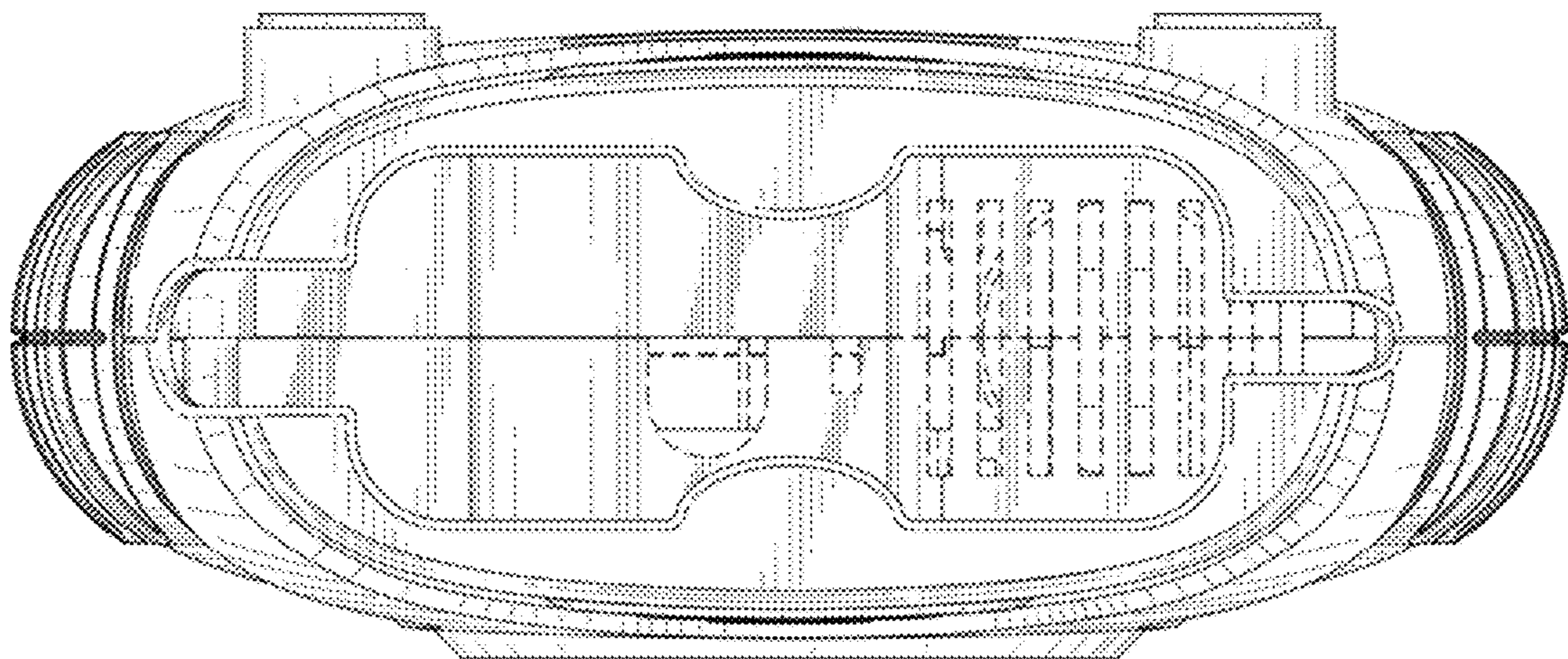


Fig. 7

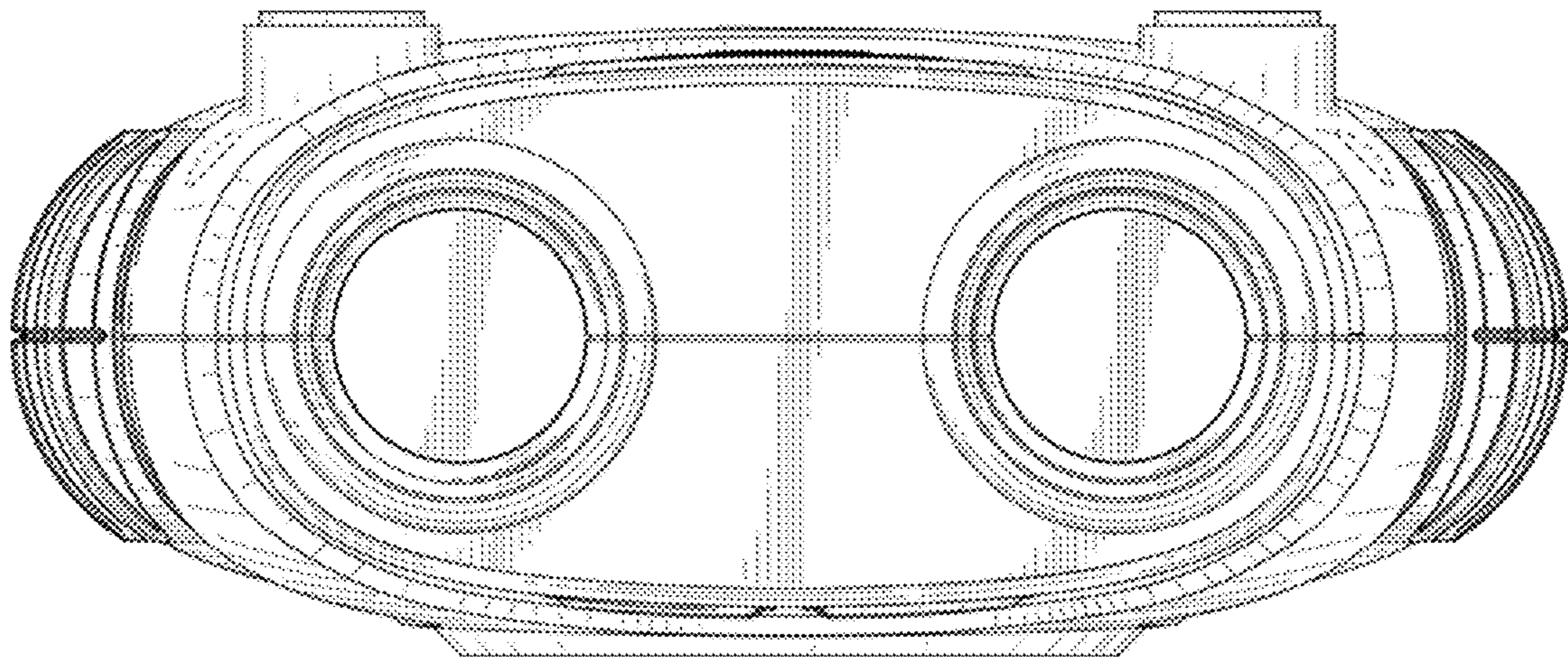


Fig. 8