



US00D868839S

(12) **United States Design Patent**
Comini et al.

(10) **Patent No.:** **US D868,839 S**

(45) **Date of Patent:** **** Dec. 3, 2019**

(54) **PUMP FOR FLUIDS**

(71) Applicant: **Merck Patent GmbH**, Darmstadt (DE)

(72) Inventors: **Fabrice Comini**, Darmstadt (DE);
Patrick Chateau, Darmstadt (DE);
Camille Chouard, Darmstadt (DE)

(73) Assignee: **Merck Patent GmbH**, Darmstadt (DE)

(**) Term: **15 Years**

(21) Appl. No.: **29/648,568**

(22) Filed: **May 22, 2018**

(30) **Foreign Application Priority Data**

Nov. 23, 2017 (EM) 004518405-0001

(51) **LOC (12) Cl.** **15-02**

(52) **U.S. Cl.**
USPC **D15/7**

(58) **Field of Classification Search**
USPC D15/7-9
CPC A01K 63/00-63/047
See application file for complete search history.

(56) **References Cited**

U.S. PATENT DOCUMENTS

3,671,151 A * 6/1972 Duke et al. A01K 63/042
417/411
D316,865 S * 5/1991 Armstrong D15/7
D339,356 S * 9/1993 Tsai D15/8
D395,318 S * 6/1998 Wang D15/8
D426,243 S * 6/2000 Wang D15/8

D428,422 S * 7/2000 Wang D15/8
D428,896 S * 8/2000 Wang D15/8
D436,361 S * 1/2001 Yu-Chin D15/8
D436,362 S * 1/2001 Yu-Chin D15/8
D617,345 S * 6/2010 Wang D15/8

* cited by examiner

Primary Examiner — Mitchell I. Siegel

(74) *Attorney, Agent, or Firm* — Edell, Shapiro & Finnan, LLC.

(57) **CLAIM**

The ornamental design for a pump for fluids, as shown and described.

DESCRIPTION

FIG. 1 is a front, right perspective view from above of a pump for fluids.

FIG. 2 is a rear, left perspective view from below of the pump for fluids of FIG. 1.

FIG. 3 is a front elevation view the pump for fluids of FIG. 1.

FIG. 4 is a rear elevation view the pump for fluids of FIG. 1.

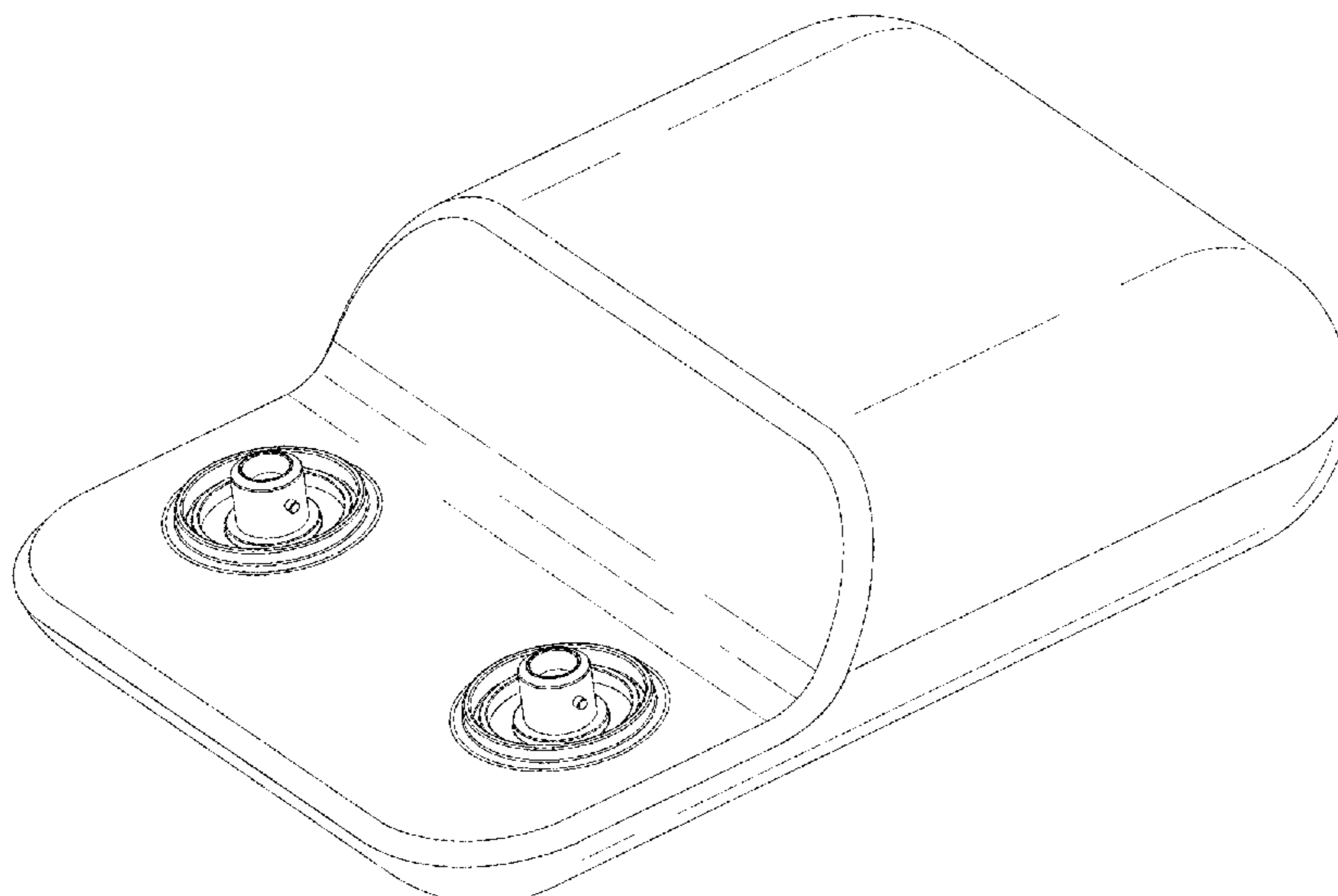
FIG. 5 is a left side elevation view of the pump for fluids of FIG. 1.

FIG. 6 is a right side elevation view of the pump for fluids of FIG. 1.

FIG. 7 is a top plan view of the pump for fluids of FIG. 1; and,

FIG. 8 is a bottom plan view of the pump for fluids of FIG. 1.

1 Claim, 6 Drawing Sheets



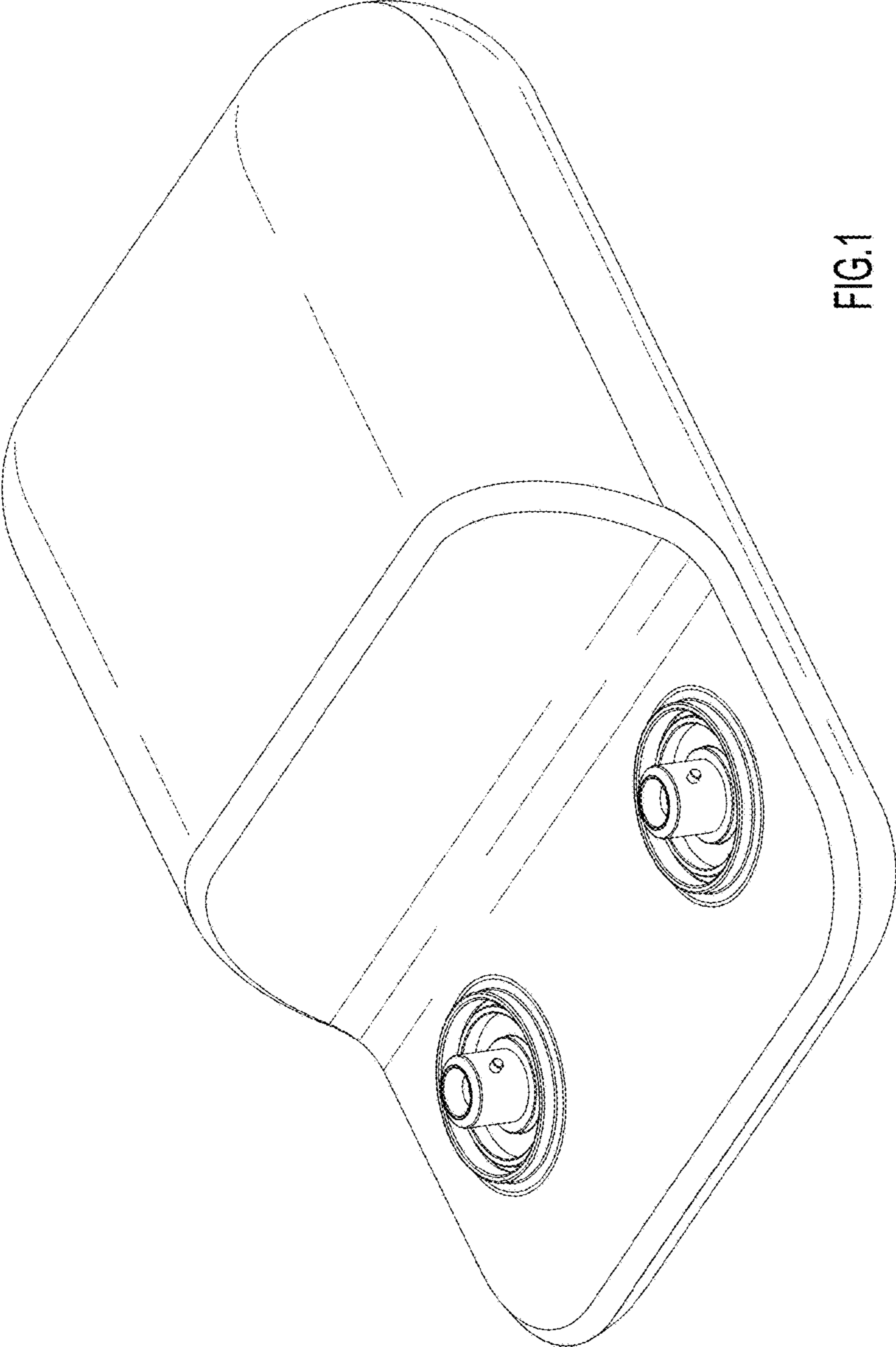


FIG.1

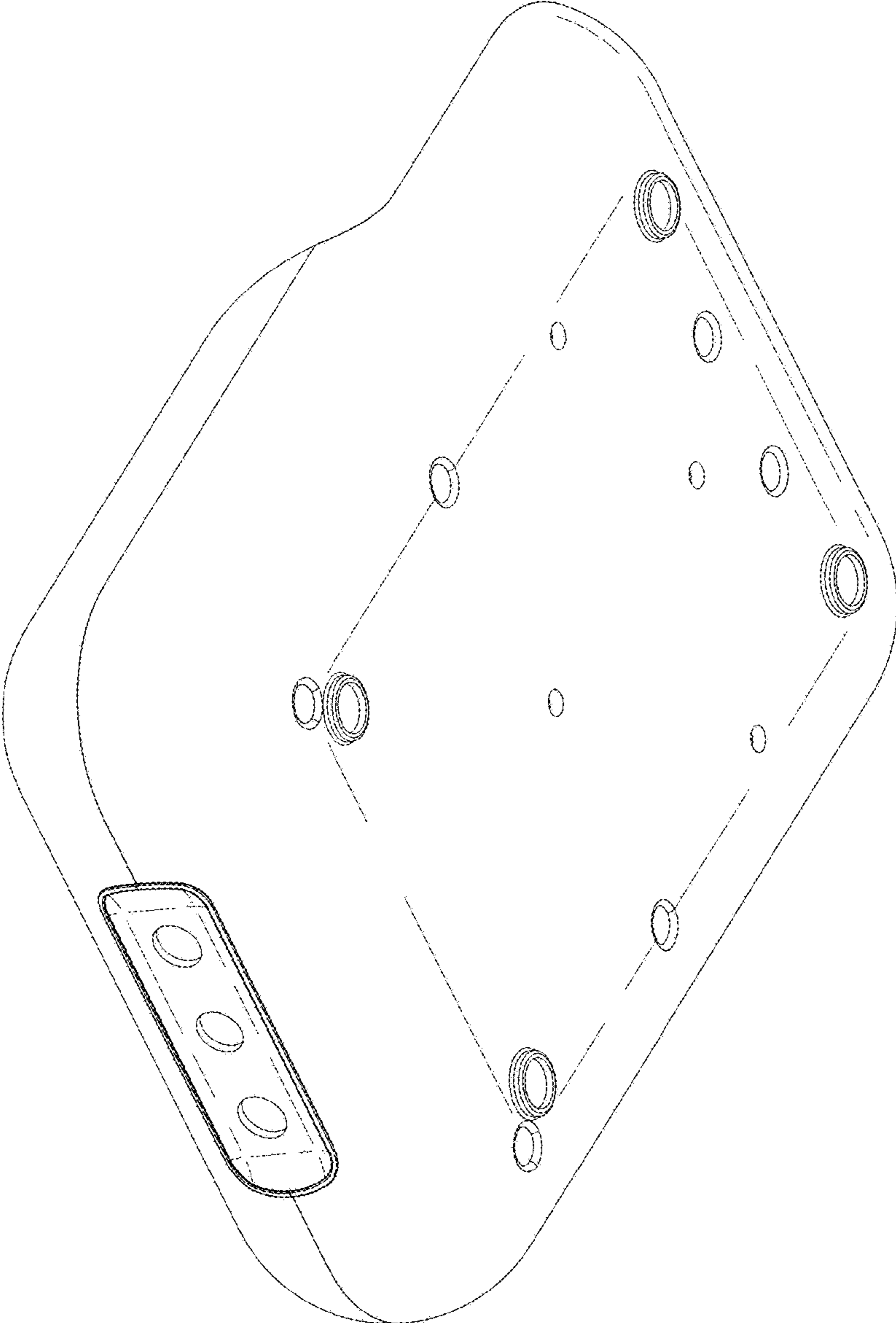


FIG.2

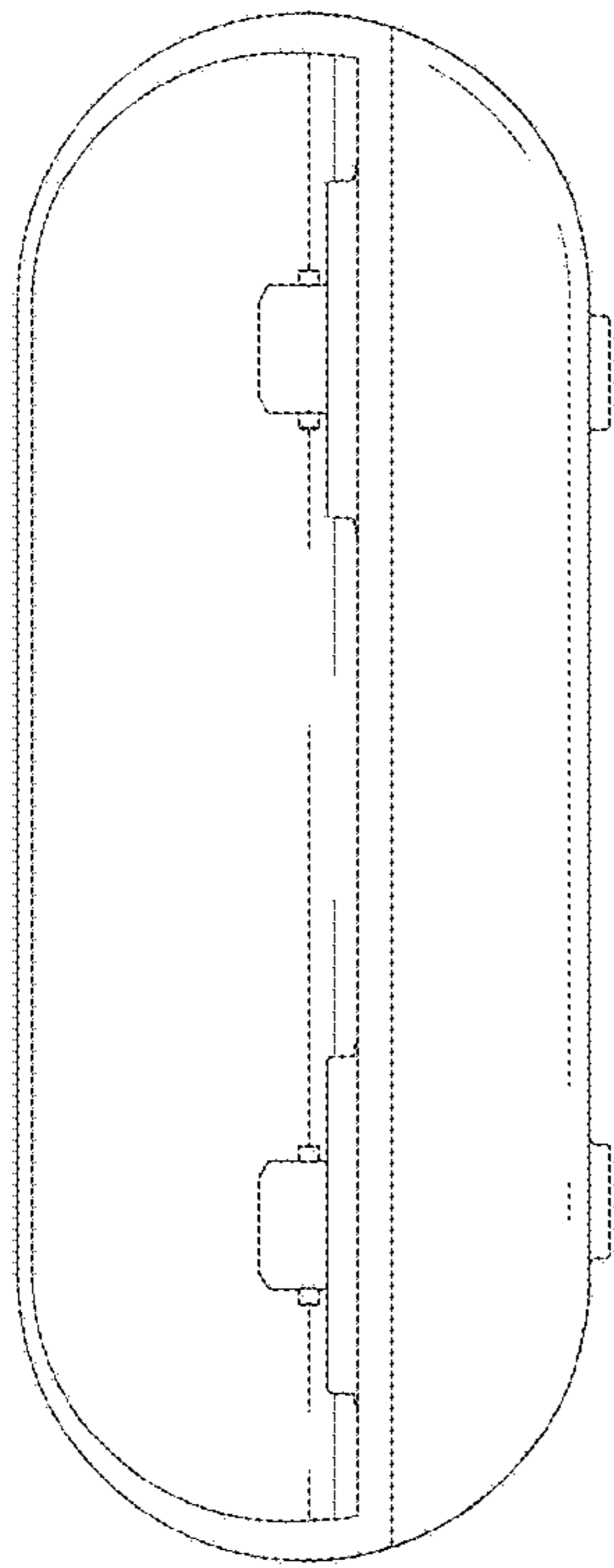


FIG.3

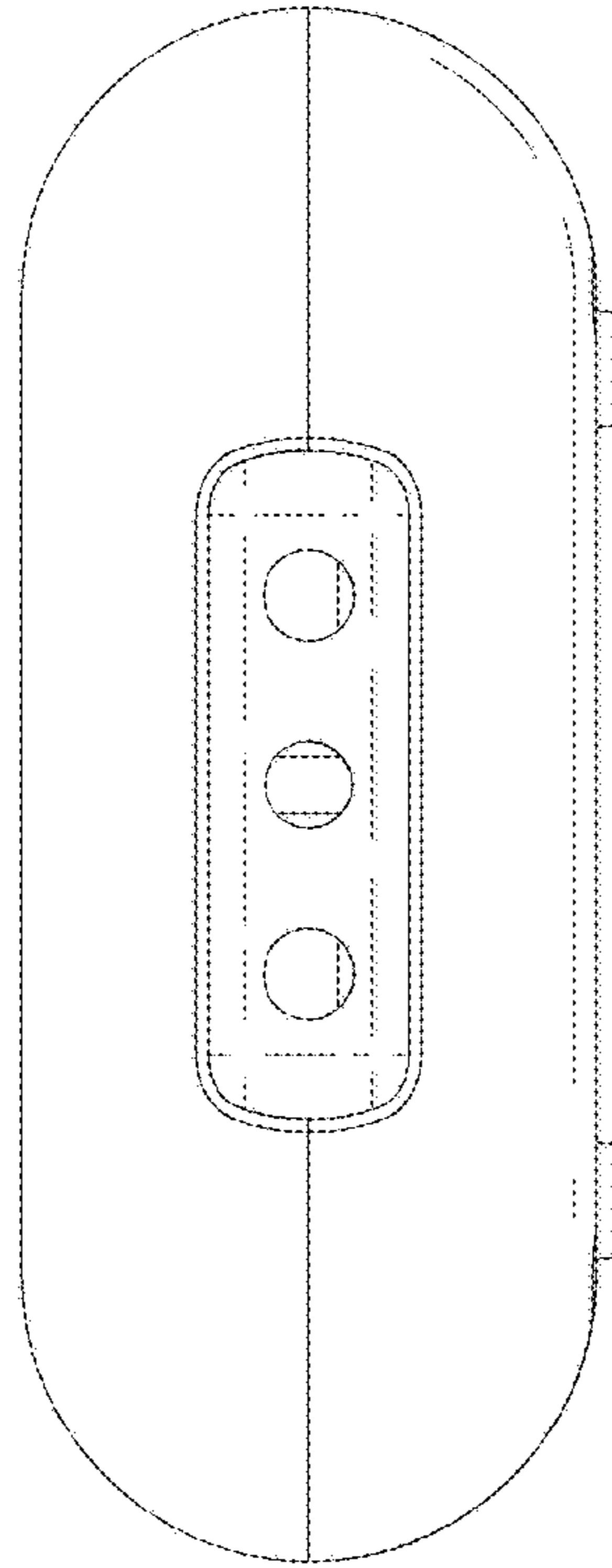


FIG.4

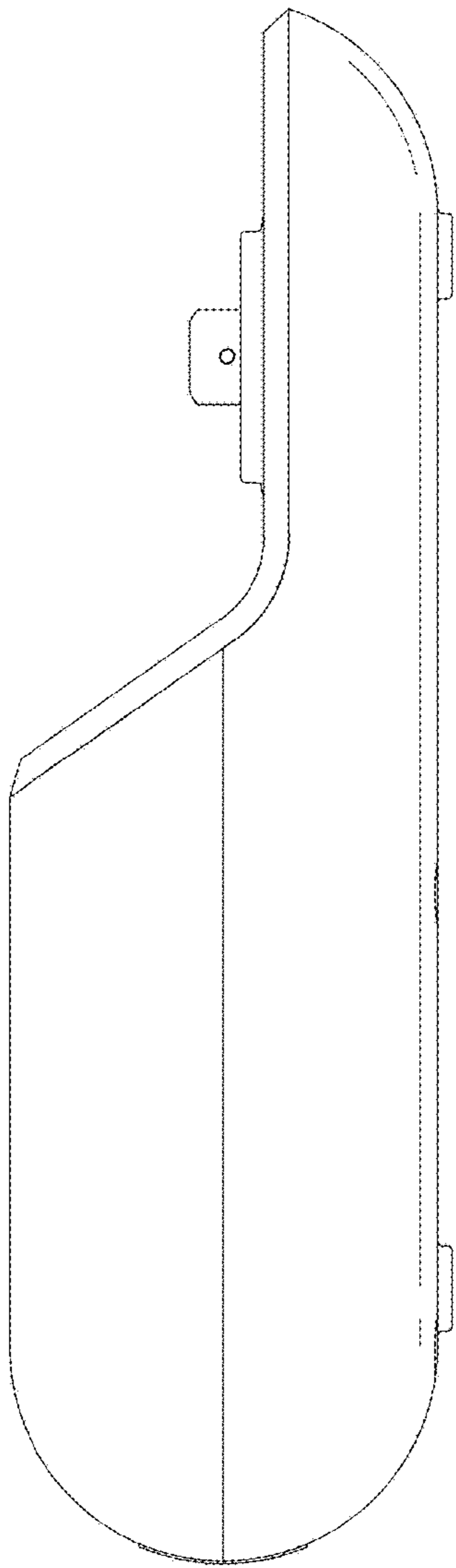


FIG.5

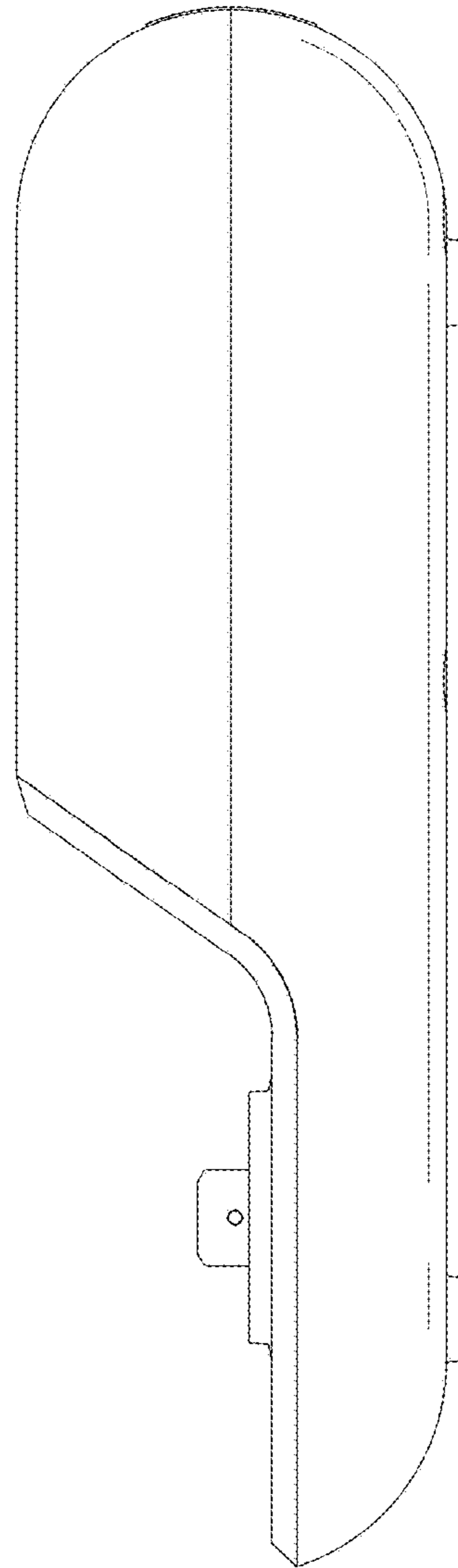


FIG.6

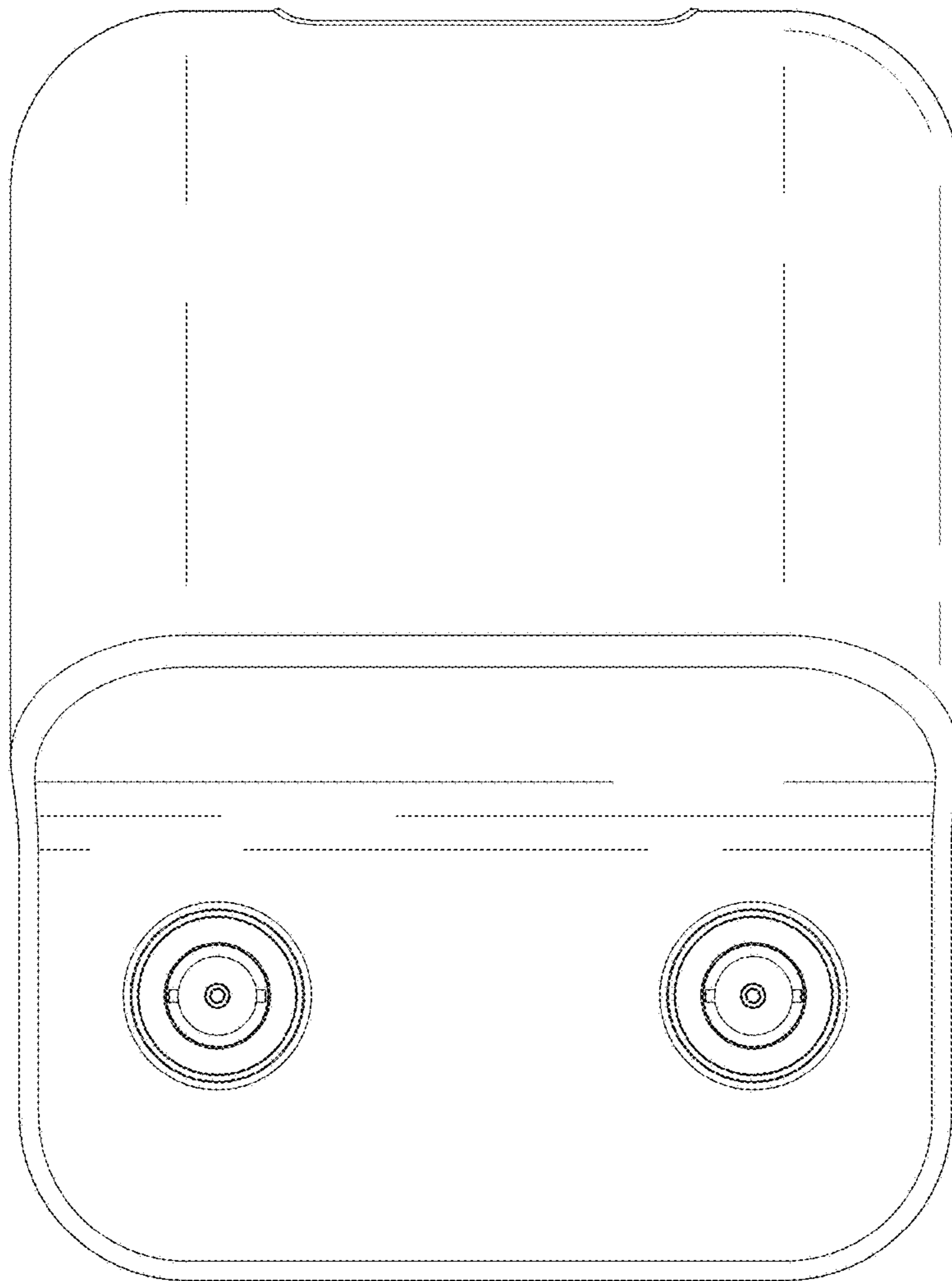


FIG.7

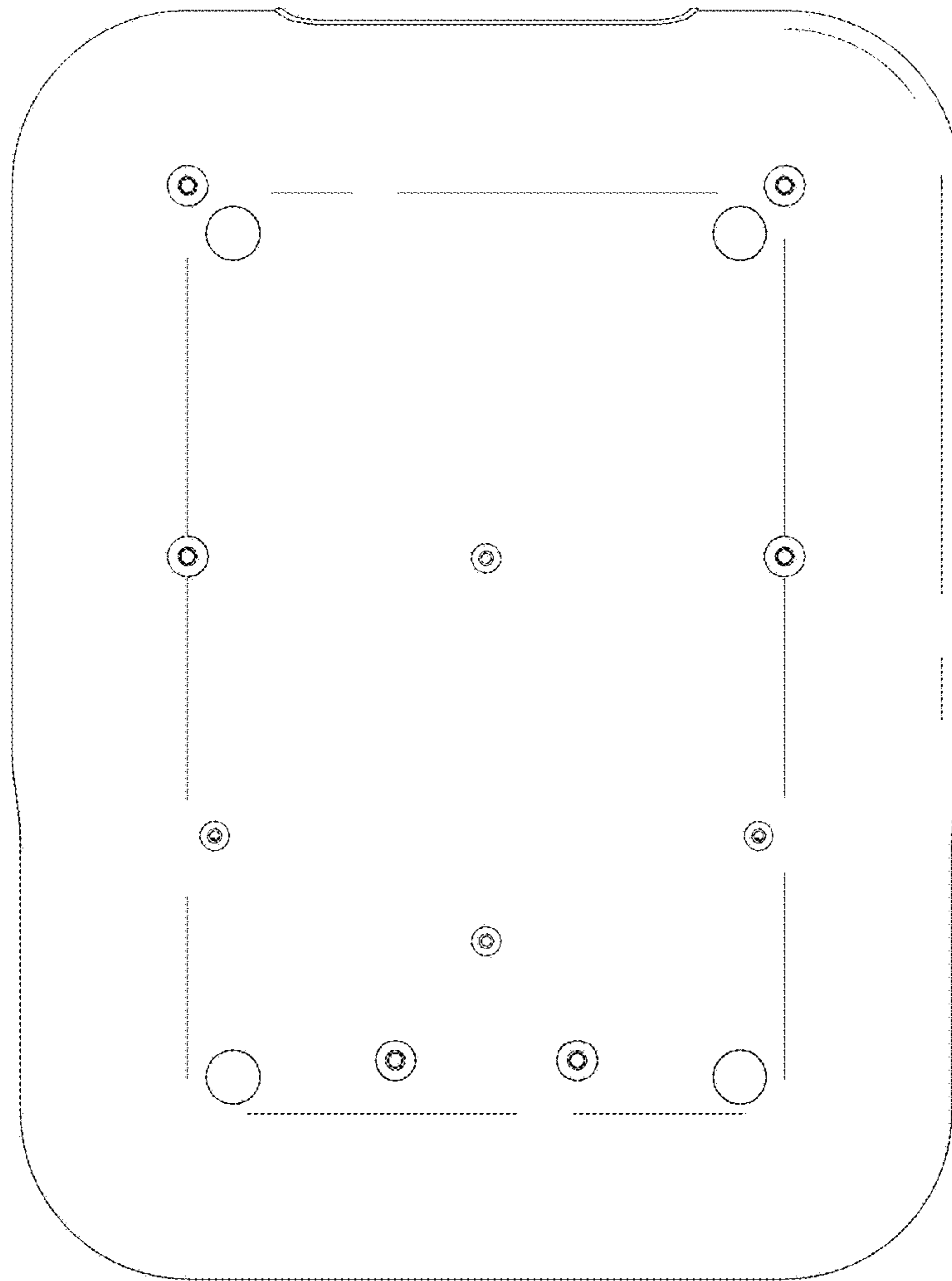


FIG. 8