



US00D868838S

(12) **United States Design Patent** (10) **Patent No.:** **US D868,838 S**
Liang (45) **Date of Patent:** **** Dec. 3, 2019**

(54) **ELECTRONIC FUEL INJECTION (EFI) THROTTLE VALVE**

(71) Applicant: **Huayi Mechanical and Electrical Co., Ltd.**, Fujian Province (CN)

(72) Inventor: **Shi-Jin Liang**, Fujian Province (CN)

(73) Assignee: **Huayi Mechanical and Electrical Co., Ltd.**, Fujian Province (CN)

(**) Term: **15 Years**

(21) Appl. No.: **29/631,653**

(22) Filed: **Jan. 1, 2018**

(51) **LOC (12) Cl.** **15-01**

(52) **U.S. Cl.**
USPC **D15/5**

(58) **Field of Classification Search**
USPC D15/1-6
CPC F02M 69/52; F02M 69/043; F02M 69/462;
F02M 69/54; F02M 63/0056; F02M
63/02; F02M 51/005; F02D 9/1035; F02D
9/105

See application file for complete search history.

(56) **References Cited**

U.S. PATENT DOCUMENTS

5,113,831 A * 5/1992 Grant F02M 37/0029
123/457
6,626,143 B1 * 9/2003 Wayama F02D 9/00
123/399
9,376,997 B1 * 6/2016 Farrell F02M 69/52
D810,142 S * 2/2018 Shehan D15/5
2001/0037794 A1 * 11/2001 Wayama F02D 9/105
123/399
2005/0109314 A1 * 5/2005 Suzuki F02D 9/1035
123/337
2008/0295800 A1 * 12/2008 Bolinger F02D 9/1035
123/337

2010/0263618 A1 * 10/2010 Keefover F02D 9/1035
123/190.1
2014/0251270 A1 * 9/2014 Bellistri F02D 9/1035
123/399
2015/0114347 A1 * 4/2015 Hudnall F02D 11/10
123/350
2015/0300300 A1 * 10/2015 Amaral F02M 51/005
123/557
2015/0337743 A1 * 11/2015 Cowan F02D 9/08
261/64.2
2015/0337767 A1 * 11/2015 Khan F02D 11/10
261/64.1
2016/0003167 A1 * 1/2016 Musolesi F02D 9/107
123/403
2018/0252191 A1 * 9/2018 Pitcel F02M 37/007
2018/0266335 A1 * 9/2018 Zhu F02D 9/104

* cited by examiner

Primary Examiner — T Chase Nelson

Assistant Examiner — Ania Aman

(74) *Attorney, Agent, or Firm* — CKC & Partners Co., LLC

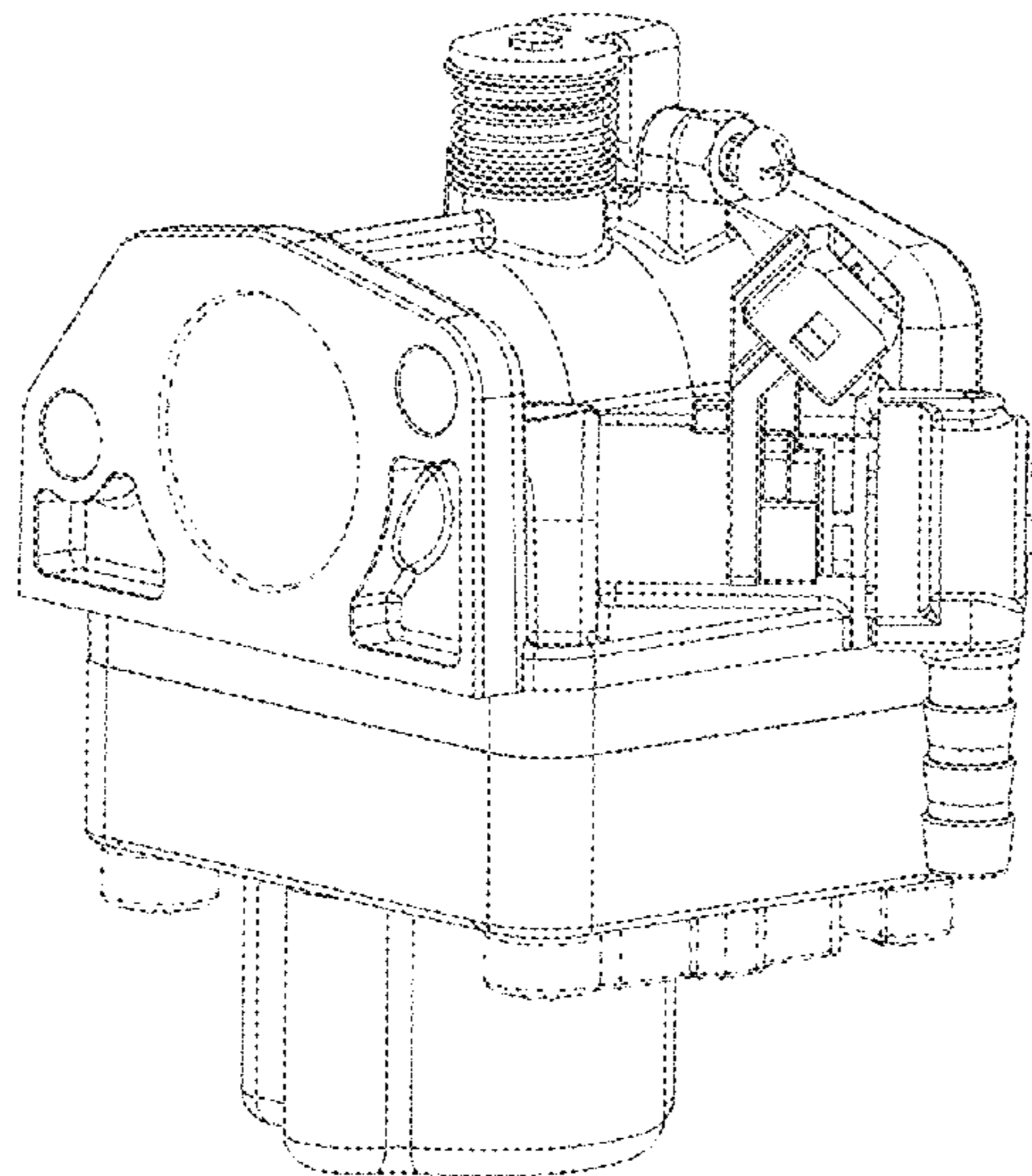
(57) **CLAIM**

The ornamental design for an electronic fuel injection (EFI) throttle valve, as shown and described.

DESCRIPTION

FIG. 1 is a perspective view of an electronic fuel injection (EFI) throttle valve showing our new design; FIG. 2 is a front elevational view thereof; FIG. 3 is a rear elevational view thereof; FIG. 4 is a left side elevational view thereof; FIG. 5 is a right side elevational view thereof; FIG. 6 is a top plan view thereof; and, FIG. 7 is a bottom plan view thereof. The broken lines in the drawings illustrate portions of the electronic fuel injection (EFI) throttle valve which form no part of the claimed design.

1 Claim, 7 Drawing Sheets



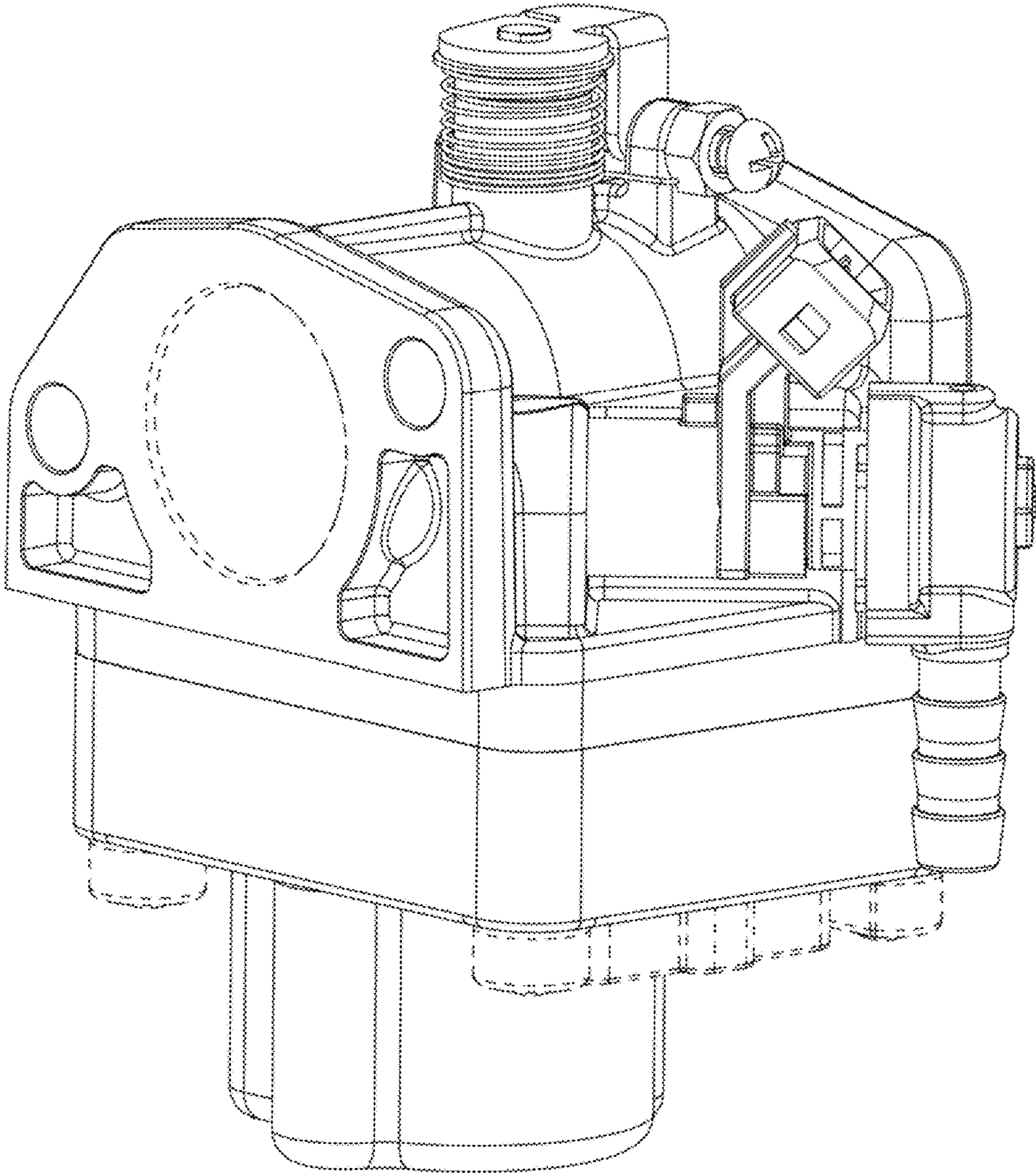


Fig. 1

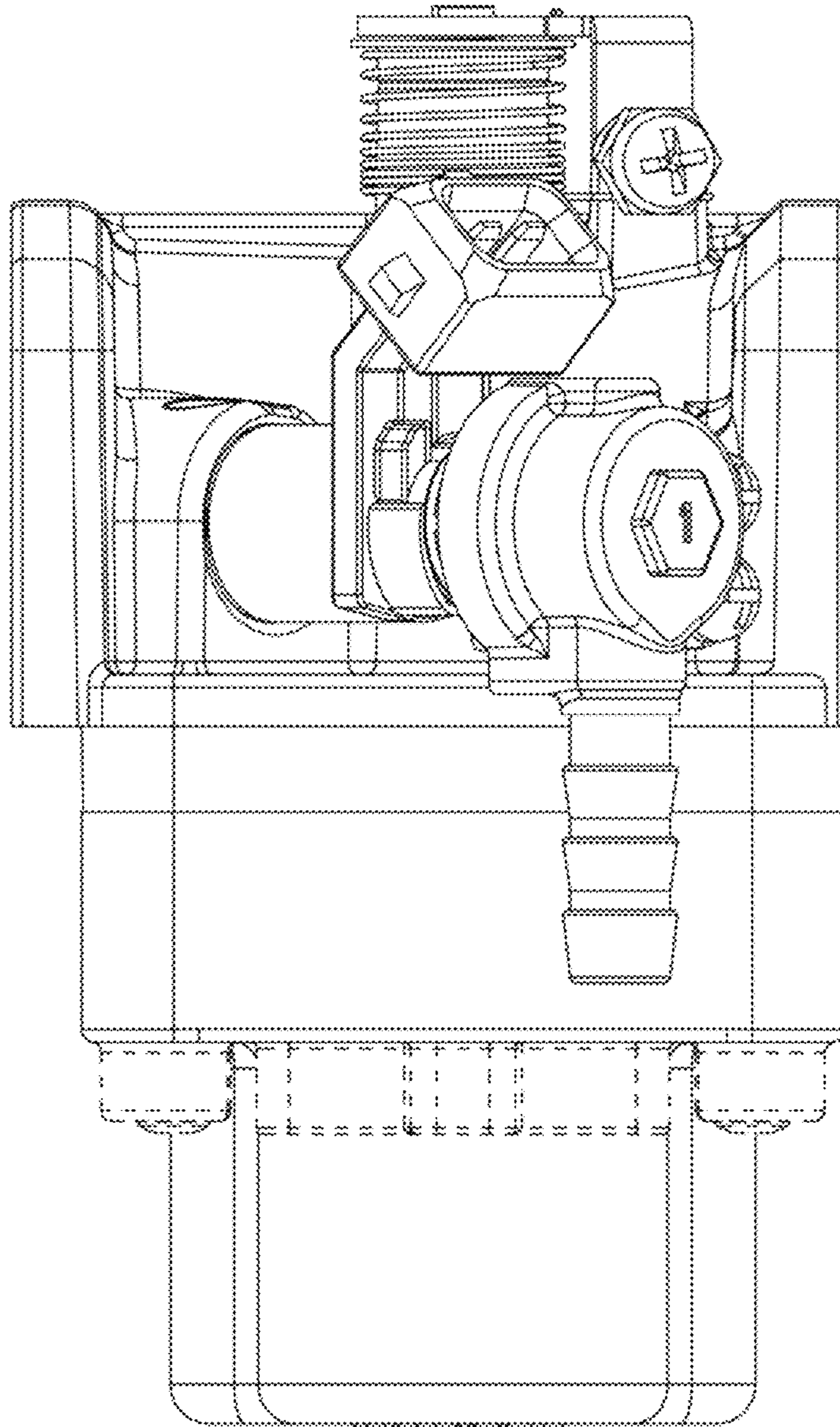


Fig. 2

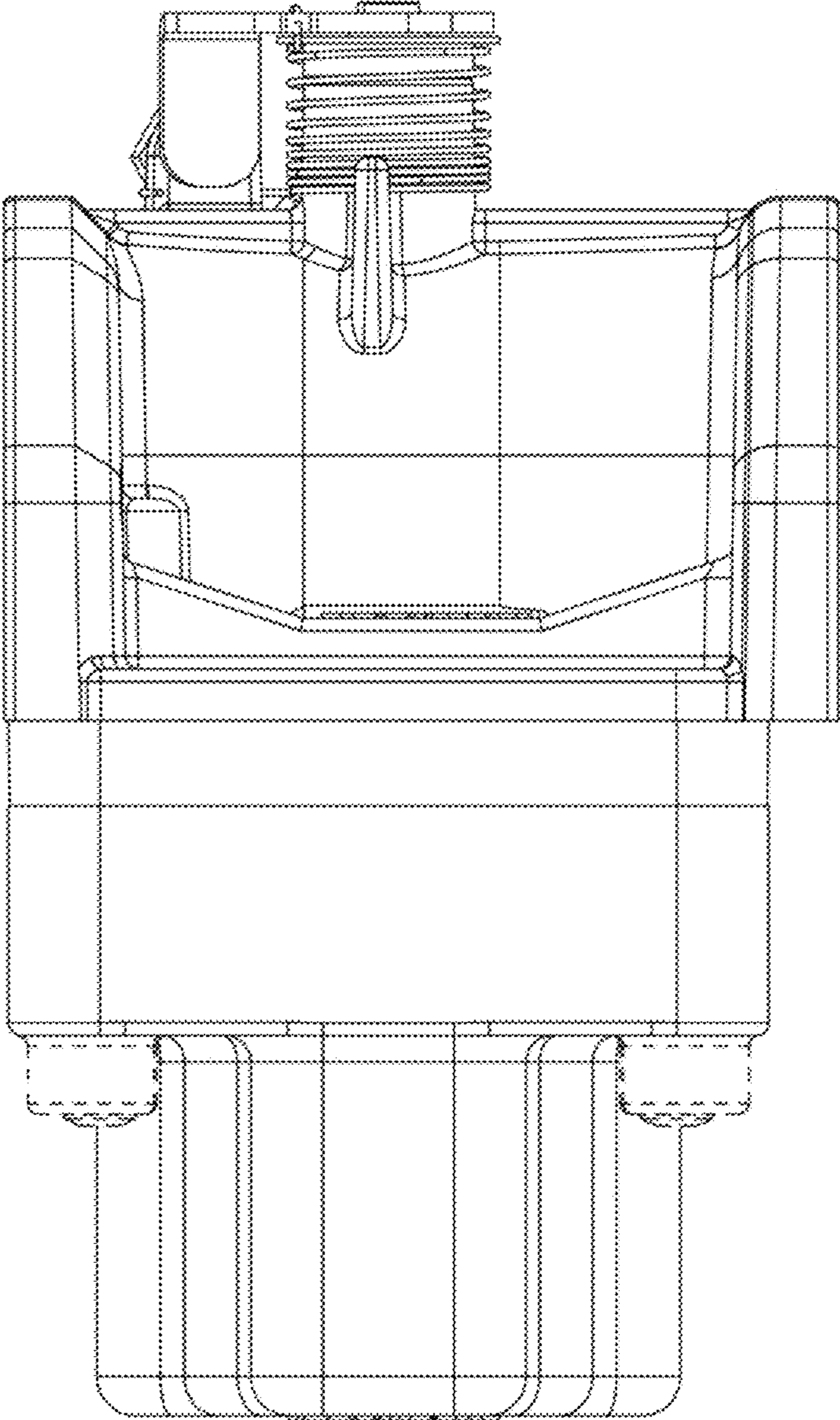


Fig. 3

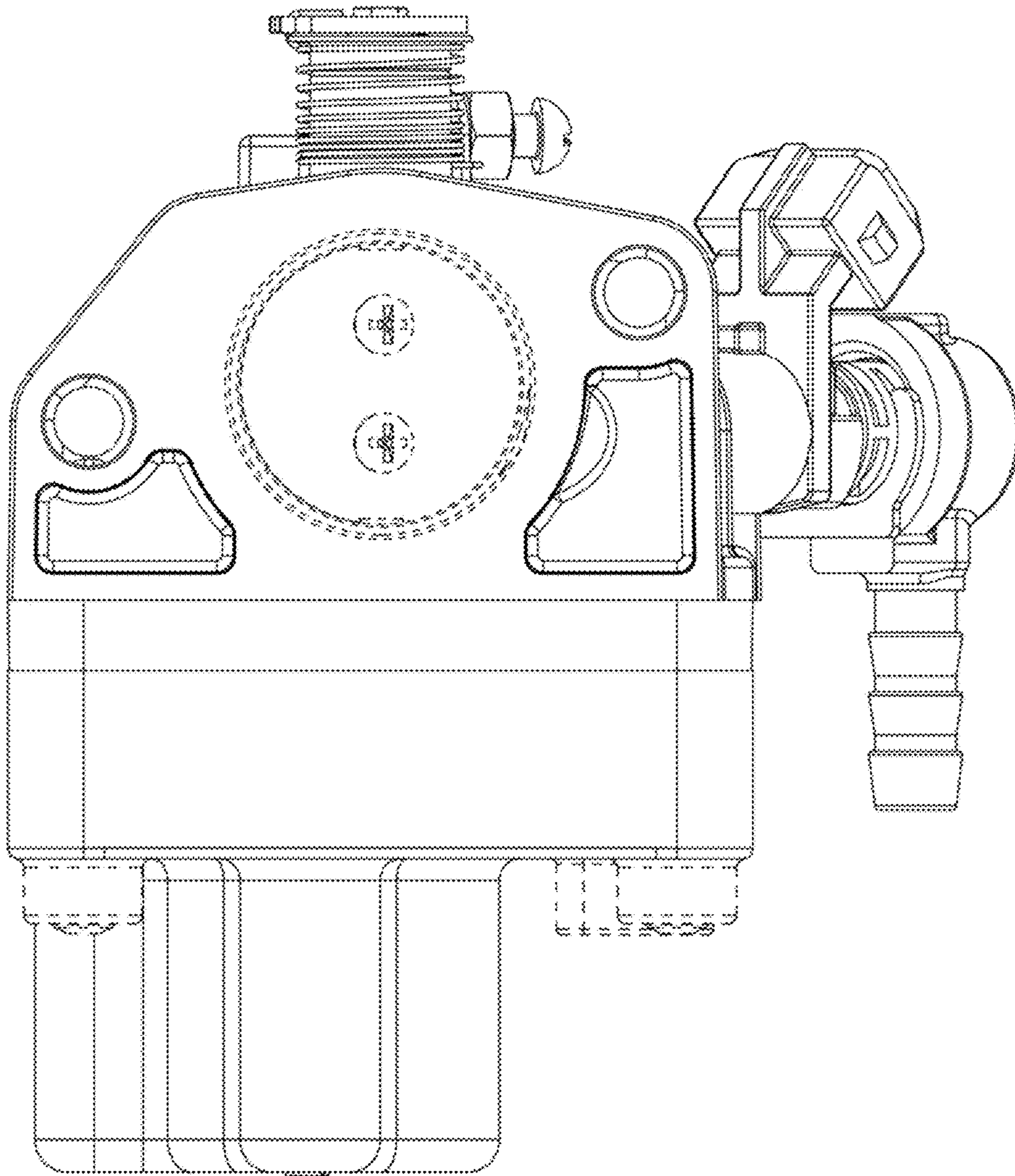


Fig. 4

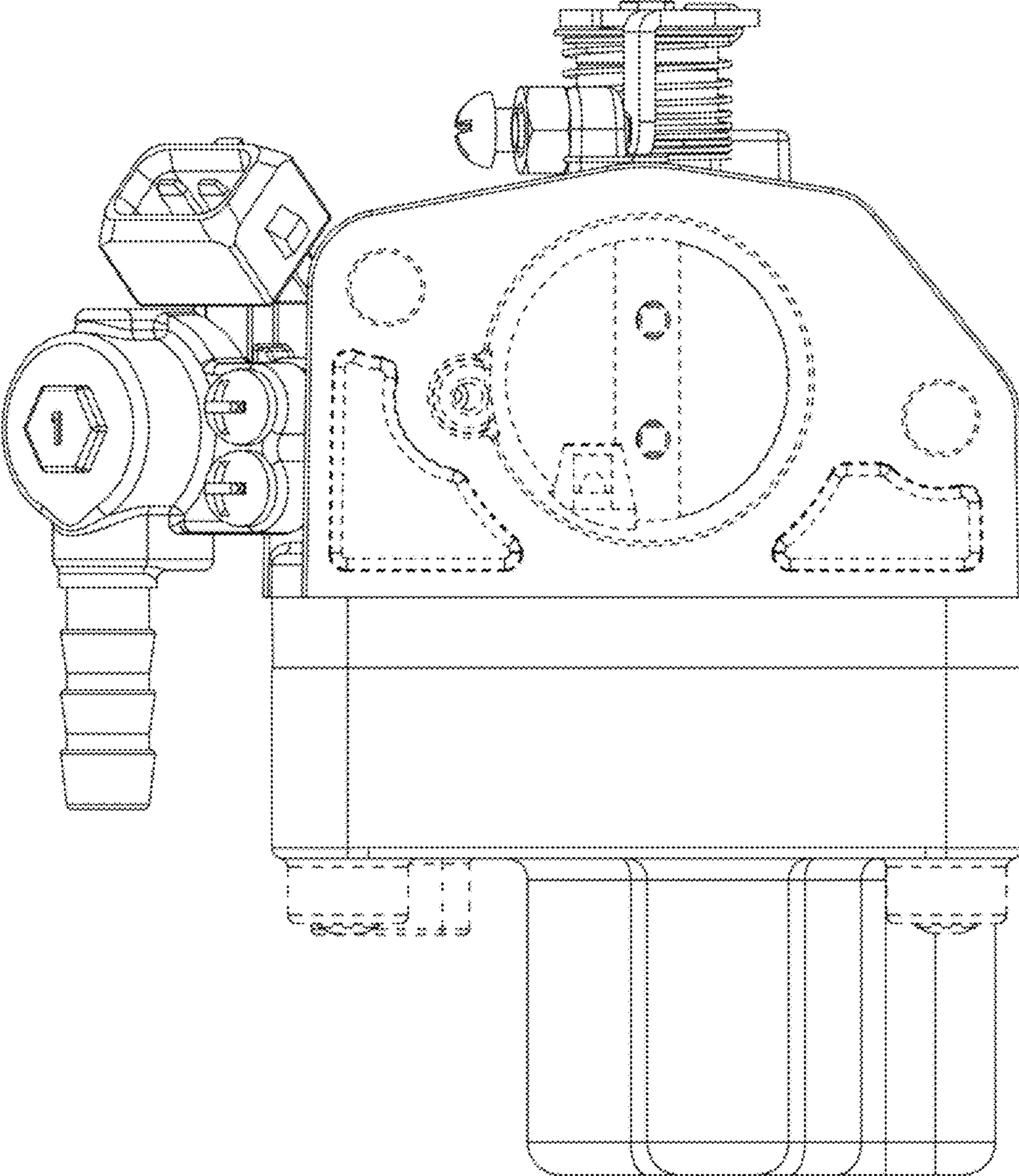


Fig. 5

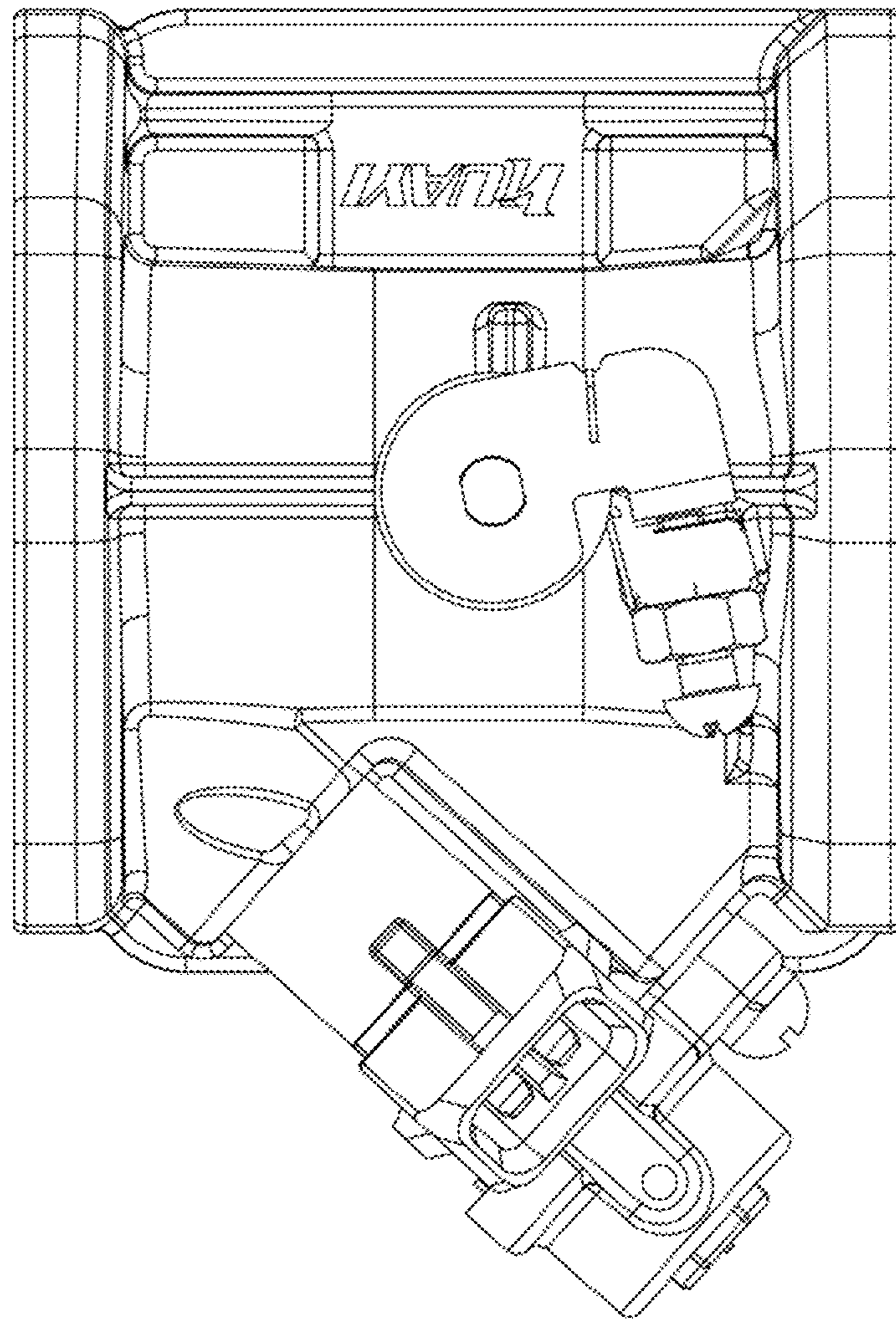


Fig. 6

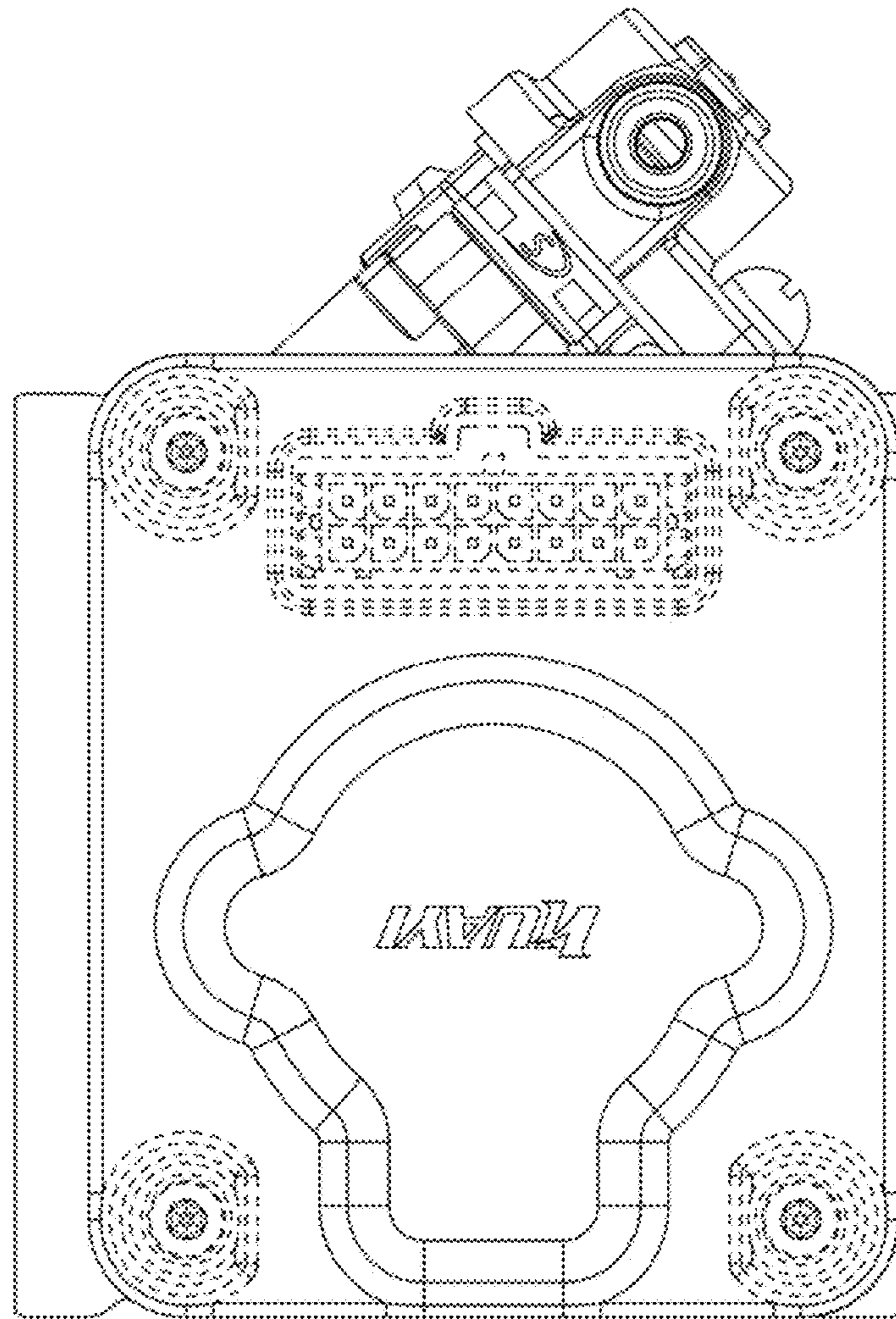


Fig. 7