



US00D868801S

(12) **United States Design Patent** (10) **Patent No.:** **US D868,801 S**
Anno et al. (45) **Date of Patent:** **** Dec. 3, 2019**

(54) **DISPLAY SCREEN OR PORTION THEREOF WITH A GRAPHICAL USER INTERFACE**

(56) **References Cited**

(71) Applicant: **ConocoPhillips Company**, Houston, TX (US)
(72) Inventors: **Phil D. Anno**, Houston, TX (US); **Dave W. Glover**, Katy, TX (US); **Son V. Pham**, The Woodlands, TX (US)
(73) Assignee: **ConocoPhillips Company**, Houston, TX (US)

U.S. PATENT DOCUMENTS

D606,560 S * 12/2009 Kocmick D14/494
8,181,122 B2 * 5/2012 Davidson G06F 3/0482
345/173
D716,823 S * 11/2014 Wood D14/485
D746,857 S * 1/2016 Rayit D14/488
D747,345 S * 1/2016 Nakao D14/489
D757,796 S * 5/2016 Kurz D14/489
D760,777 S * 7/2016 Lee D14/489
D760,778 S * 7/2016 Lee D14/489

(Continued)

(**) Term: **15 Years**

OTHER PUBLICATIONS

(21) Appl. No.: **29/637,014**

“Spiral icon.” dreamstime.com. Date not available. Accessed Mar. 30, 2019. Available online at URL: <<https://www.dreamstime.com/spiral-icon-element-cyber-security-mobile-concept-web-apps-icon-thin-line-icon-website-design-development-image137267829>> (Year: N/A).*

(22) Filed: **Feb. 13, 2018**

(51) **LOC (12) Cl.** **14-04**

(52) **U.S. Cl.**
USPC **D14/485**

(Continued)

(58) **Field of Classification Search**

USPC D14/485–495; 345/1.1, 1.2, 2.1–2.3, 3.1, 345/902; 715/763, 810, 836, 837, 846, 715/847, 977
CPC G06F 3/048; G06F 3/0481; G06F 3/04812; G06F 3/04817; G06F 3/0482; G06F 3/0483; G06F 3/0484; G06F 3/04847; G06F 3/0485; G06F 3/04855; G06F 3/04886; G06Q 30/00; H03J 1/00; H03J 1/0008; H03J 1/0016; H03J 1/0025; H04N 5/00; H04N 5/08; H04N 5/14; H04N 5/222; H04N 5/225; H04N 5/232; H04N 5/445; H04N 5/44543; H04N 5/45; H04N 2005/44517; H04N 2005/44521; H04N 2005/44526; H04N 2005/4453; H04N 2005/44534; H04N 2005/44539; H04N 2005/44547; H04N 2005/44556; H04N 2005/4456; H04N 2005/44565; H04N 2005/44569; H04N 2005/44573; H04N 21/00; H04N 21/234; H04N 21/431; H04N 21/4312; H04N 21/4314; H04N 21/4316

Primary Examiner — Cathron C Brooks
Assistant Examiner — Christian P. McLean
(74) *Attorney, Agent, or Firm* — Polsinelli PC

(57) **CLAIM**

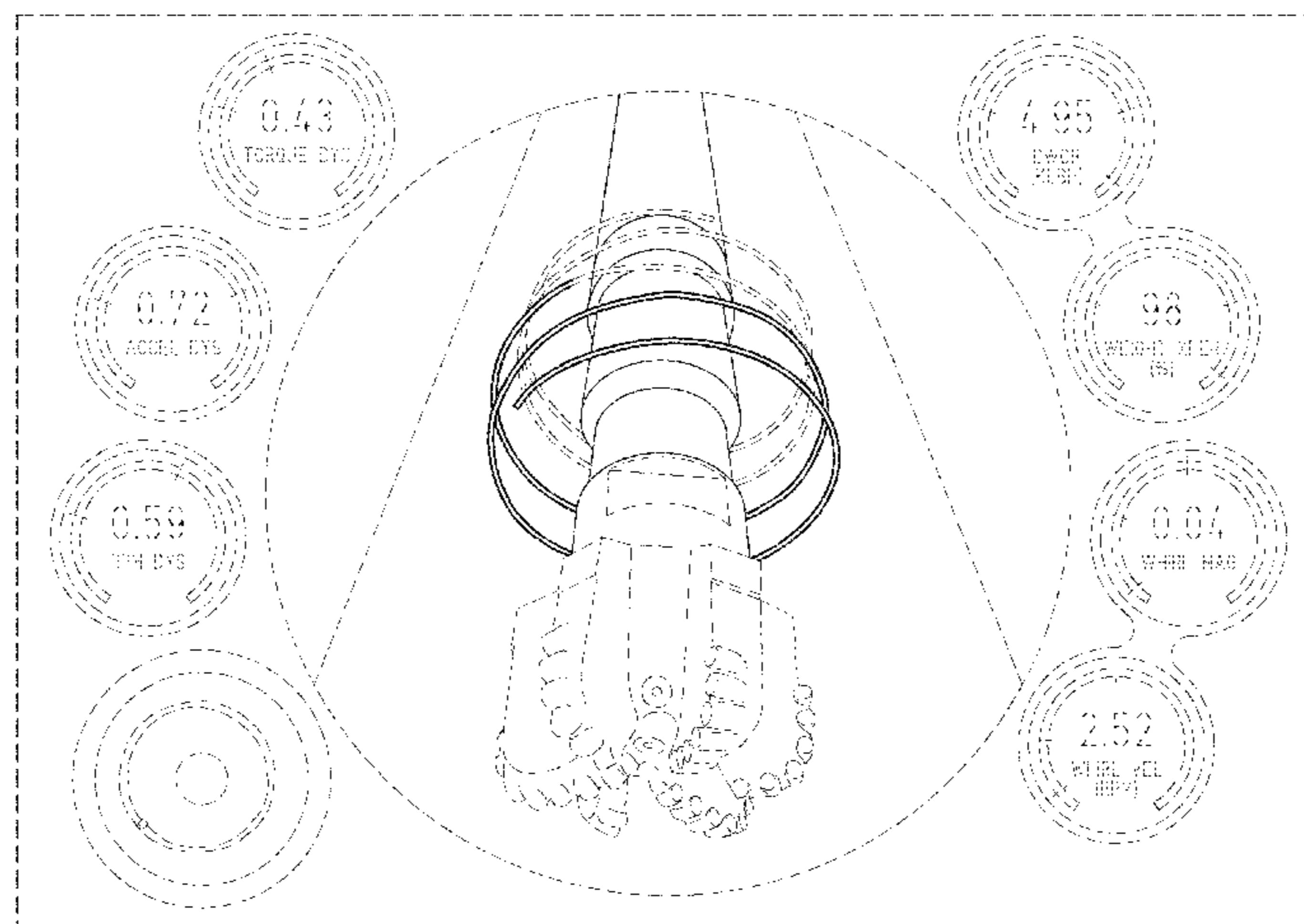
We claim the ornamental design for a display screen or portion thereof with a graphical user interface, as shown and described.

DESCRIPTION

The sole FIGURE is a front view of a display screen or portion thereof with a graphical user interface showing our new design.
The outermost broken line rectangle illustrates a display screen or portion thereof. The remaining broken lines illustrate portions of the graphical user interface. None of the broken lines forms part of the claimed design.

See application file for complete search history.

1 Claim, 1 Drawing Sheet



(56)

References Cited

U.S. PATENT DOCUMENTS

D761,309 S * 7/2016 Lee D14/489
D762,719 S * 8/2016 Lee D14/489
D788,807 S * 6/2017 Broughton D14/486
D801,382 S * 10/2017 Seo D14/489
D819,664 S * 6/2018 Hashimoto D14/485
D828,393 S * 9/2018 Li D14/492
D835,665 S * 12/2018 Kimura D14/488
2019/0153855 A1 * 5/2019 Chiu E21B 44/00

OTHER PUBLICATIONS

“Metal Spring.” iconfinder.com. Added Oct. 20, 2018. Accessed Mar. 30, 2019. Available online at URL: <<https://www.iconfinder.com/iconsets/metal-spring>> (Year: 2018).*

“Steel wire flexible spiral . . . ” iconswebsite.com. Published Feb. 14, 2017. Accessed Mar. 30, 2019. Available online at URL: <<http://iconswebsite.com/shutterstock-image/steel-wire-flexible-spiral-coils-spring-vector-icons-flexible-spring-of-set-illustration-of-black-silhouette-steel-spring-578846311.html>> (Year: 2017).*

* cited by examiner

