



US00D868793S

(12) **United States Design Patent** (10) **Patent No.:** **US D868,793 S**
Germe (45) **Date of Patent:** **** Dec. 3, 2019**

(54) **BASE FOR AN ELECTRONIC DISPLAY DEVICE**
(71) Applicant: **Facebook, Inc.**, Menlo Park, CA (US)
(72) Inventor: **Gregory Daniel Louis Germe**, Oakland, CA (US)
(73) Assignee: **Facebook, Inc.**, Menlo Park, CA (US)
(**) Term: **15 Years**
(21) Appl. No.: **29/631,910**
(22) Filed: **Jan. 3, 2018**
(51) **LOC (12) Cl.** **14-02**
(52) **U.S. Cl.**
USPC **D14/451**
(58) **Field of Classification Search**
USPC D14/371-382, 125-129, 336, 337, D14/447-452, 492, 335, 239, 457, D14/439-441, 432, 251-253; D8/349, D8/354, 363, 373, 376, 380; D21/333; D12/415; D3/218; 348/180, 184, 325, 348/739, 825
CPC G06F 3/0412; G06F 3/016; G06F 3/0488; G06F 3/011; G06F 3/038; G06F 3/03543; G06F 3/0338; G06F 3/0202; G06F 3/0219; G06F 3/0213; G06F 1/1616; G06F 3/023; G06F 3/04883; G02F 1/13338; G02F 1/1313; G02F 1/1333; G02F 1/135; G02F 1/132; G02F 1/133308; G02F 1/134309; G02F 1/13718; G09G 3/3648; G06K 15/1252; B41J 2/465; G03F 7/70291; G02B 27/0172; G02B 5/30; G02B 2027/0118; G02B 27/0101; F16M 13/02; F16M 13/00; F16M 11/10; F16M 11/04; F16M 2200/08; F16M 11/2021; A47B 21/0314; A47B 88/044; A47B 2021/0335; H02G 3/126;

(Continued)

(56) **References Cited**
U.S. PATENT DOCUMENTS
D458,600 S * 6/2002 Freitag D14/314
D535,615 S * 1/2007 Iwai D13/108
D575,786 S * 8/2008 Solomon D14/434
(Continued)

FOREIGN PATENT DOCUMENTS
CN 302808697 S 4/2014
JP 1389416 S 6/2010
KR 3007733170000 11/2014

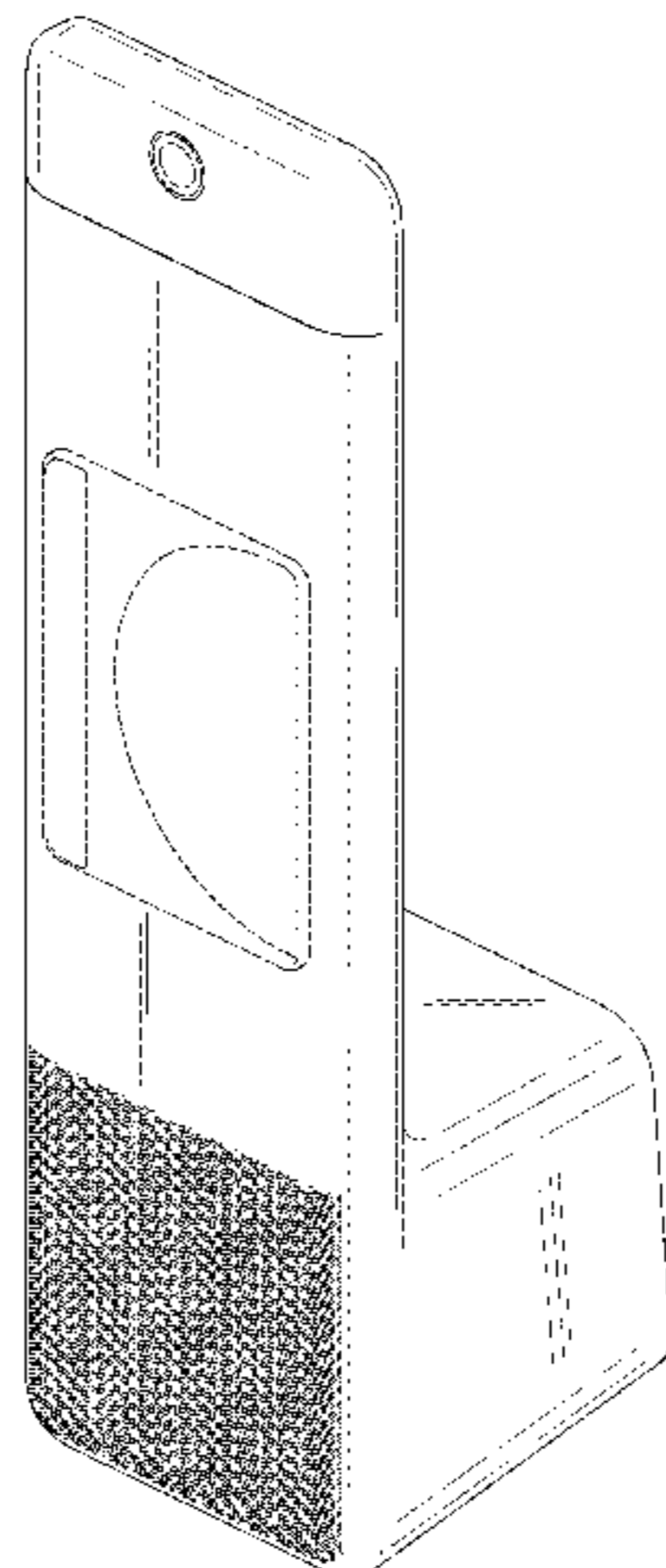
OTHER PUBLICATIONS
JP NOA received from JPO for Patent Application No. 2018-014582. (with English Translation), Sep. 14, 2018.
(Continued)

Primary Examiner — Katie Jane Stokfo
(74) *Attorney, Agent, or Firm* — Baker Botts L.L.P.

(57) **CLAIM**
The ornamental design for a base for an electronic display device, as shown and described.

DESCRIPTION
FIG. 1 is a front perspective view of a base for an electronic display device.
FIG. 2 is rear perspective view thereof.
FIG. 3 is a front view thereof.
FIG. 4 is a rear view thereof.
FIG. 5 is a top view thereof.
FIG. 6 is a bottom view thereof.
FIG. 7 is a left side view thereof; and,
FIG. 8 is a right side view thereof.
The base for the electronic display device is not limited to the scale shown in the figures. The broken lines in FIGS. 1-5, 7, and 8 illustrate portions of the base for an electronic

(Continued)



display device that form no part of the claimed design. The shade lines in the figures, if any, show contour and not surface ornamentation.

1 Claim, 6 Drawing Sheets

(58) **Field of Classification Search**

CPC F16B 47/00; F16B 47/006; A47G 1/17;
A47K 2201/00

See application file for complete search history.

(56) **References Cited**

U.S. PATENT DOCUMENTS

D598,453	S	*	8/2009	Solomon	D14/434
D604,418	S	*	11/2009	Jones	D24/165
D606,545	S	*	12/2009	Salmon	D13/108
D660,227	S	*	5/2012	Rodbro	D13/107
D733,088	S	*	6/2015	Garneau	D14/172
D765,623	S	*	9/2016	Yang	D14/224
D790,990	S	*	7/2017	Hopkins	D10/28
D799,492	S	*	10/2017	Seiss	D14/447
D835,078	S	*	12/2018	Yun	D14/224
D835,611	S	*	12/2018	Yun	D14/224

OTHER PUBLICATIONS

Examination Report for CA Design Application No. 182269 dated Mar. 28, 2019.

* cited by examiner

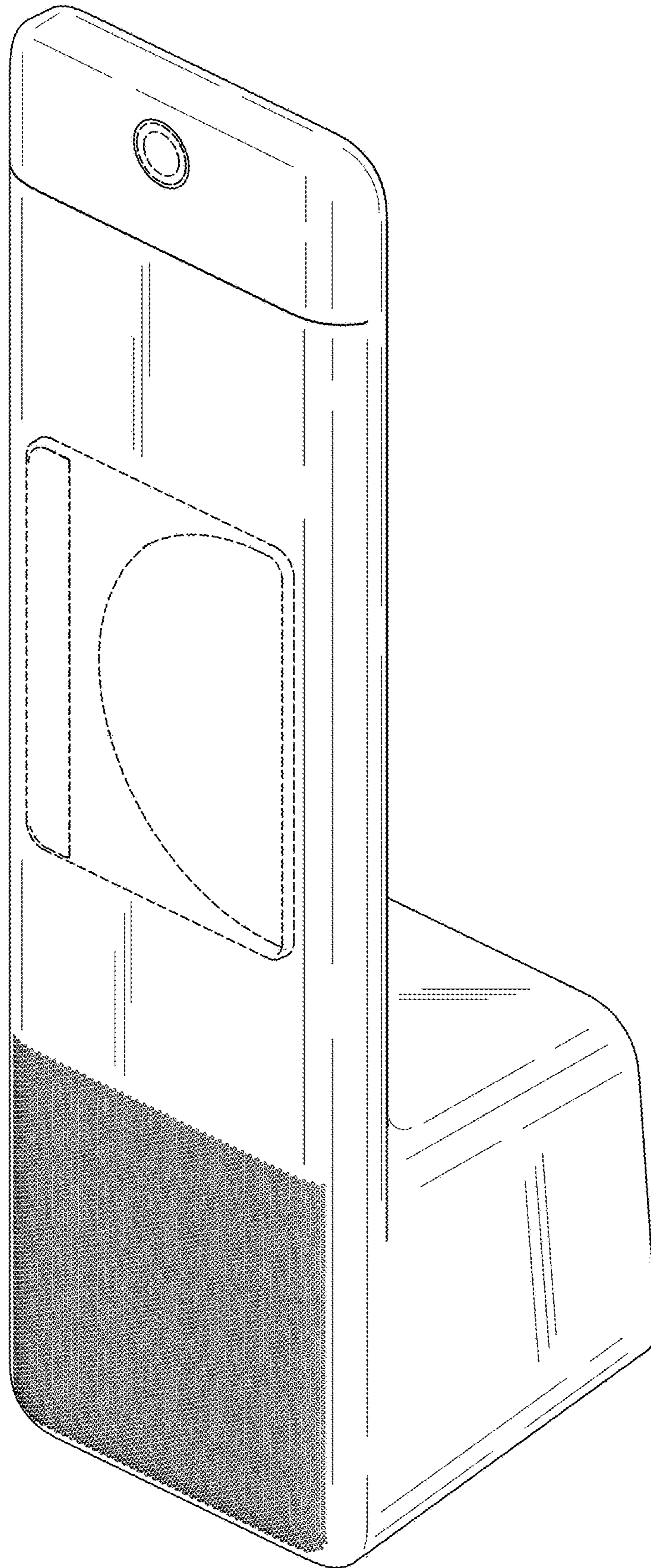


FIG. 1

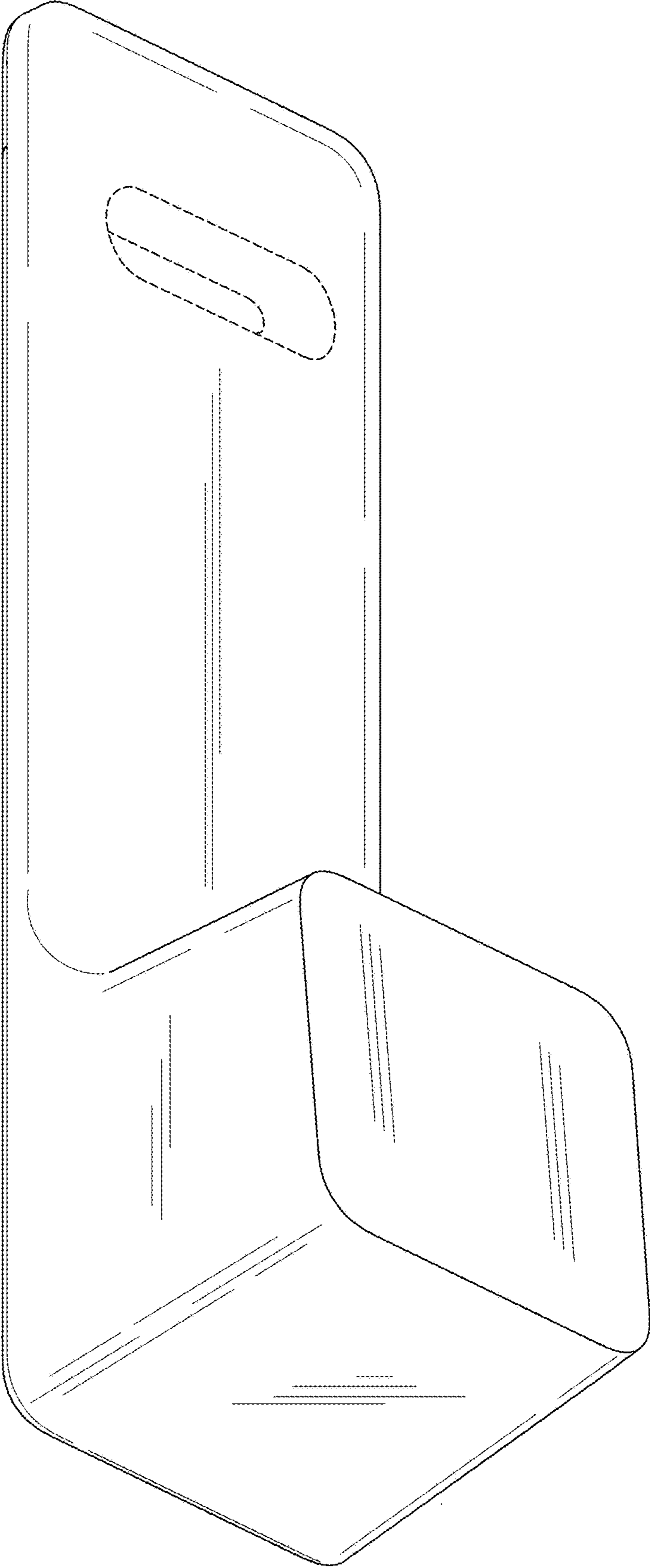


FIG.2

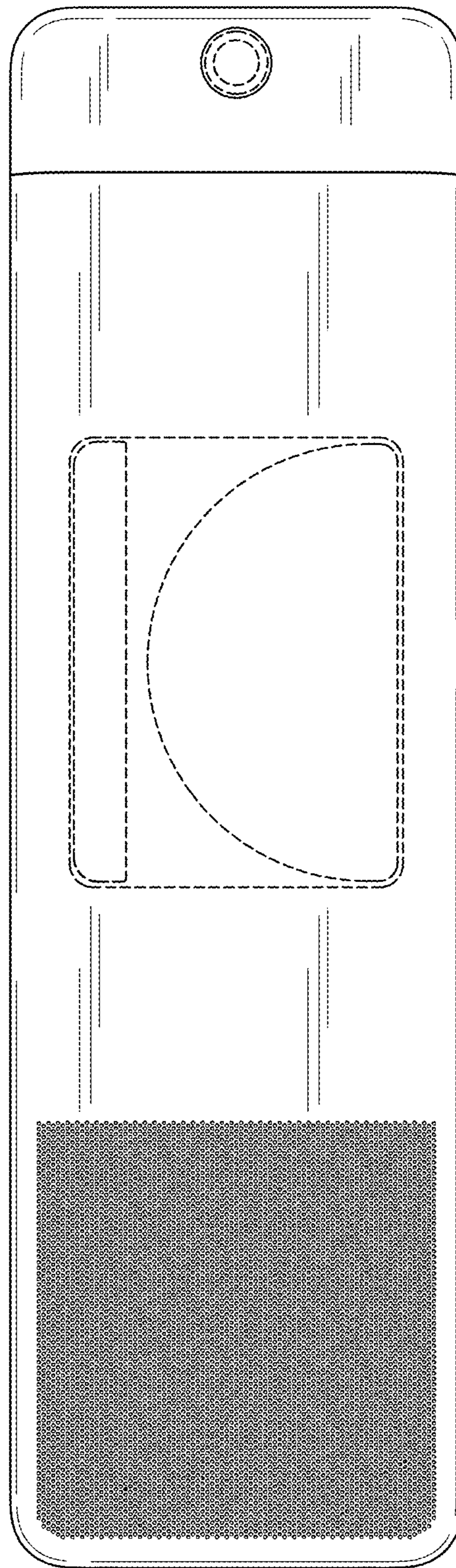


FIG. 3

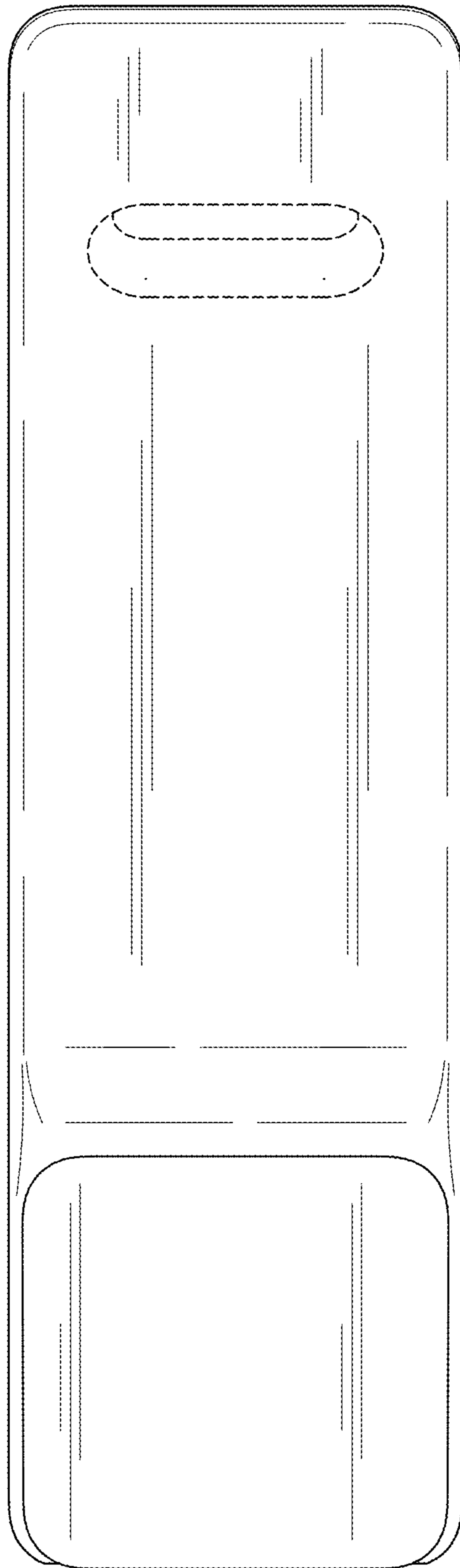


FIG. 4

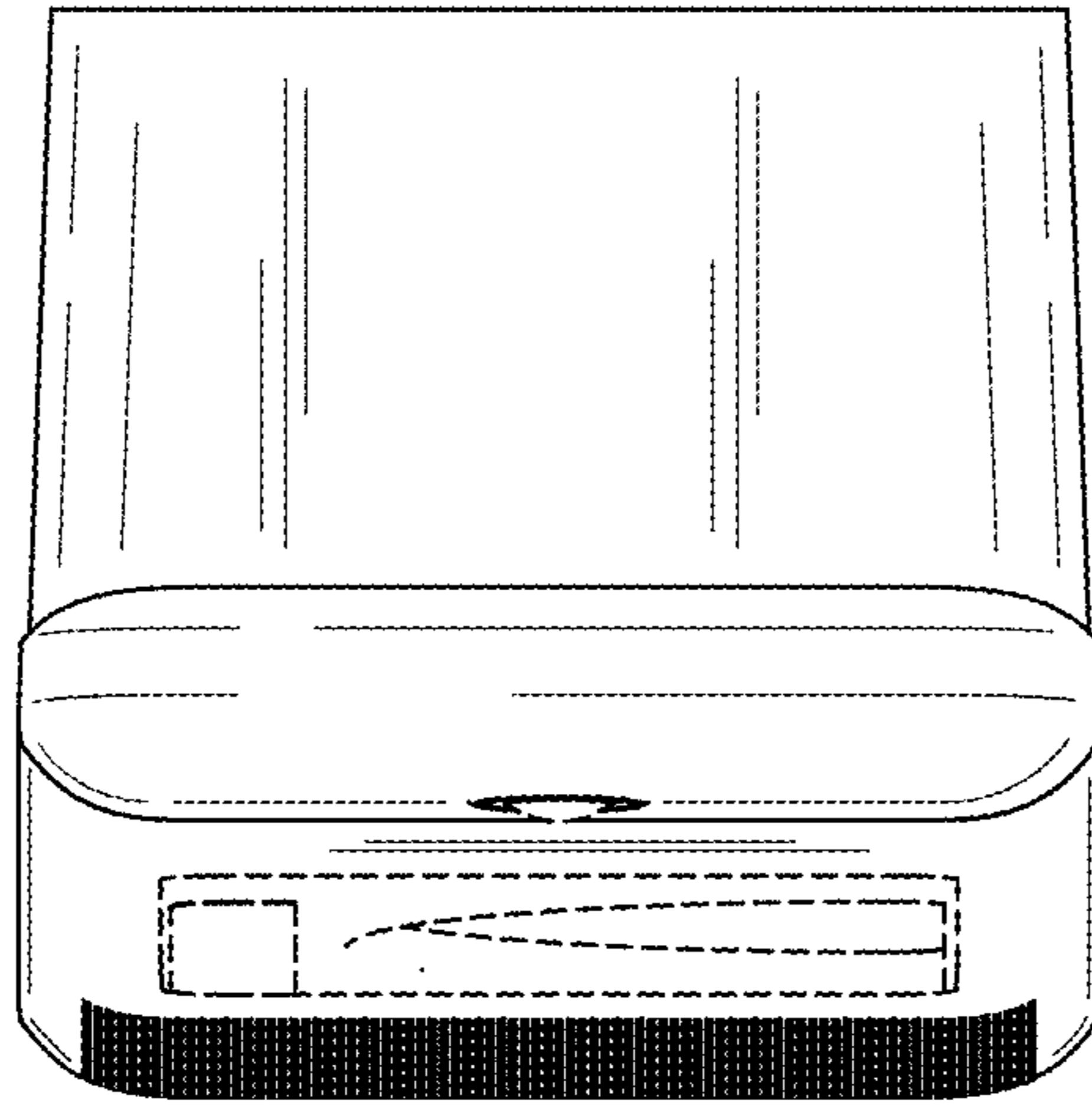


FIG. 5

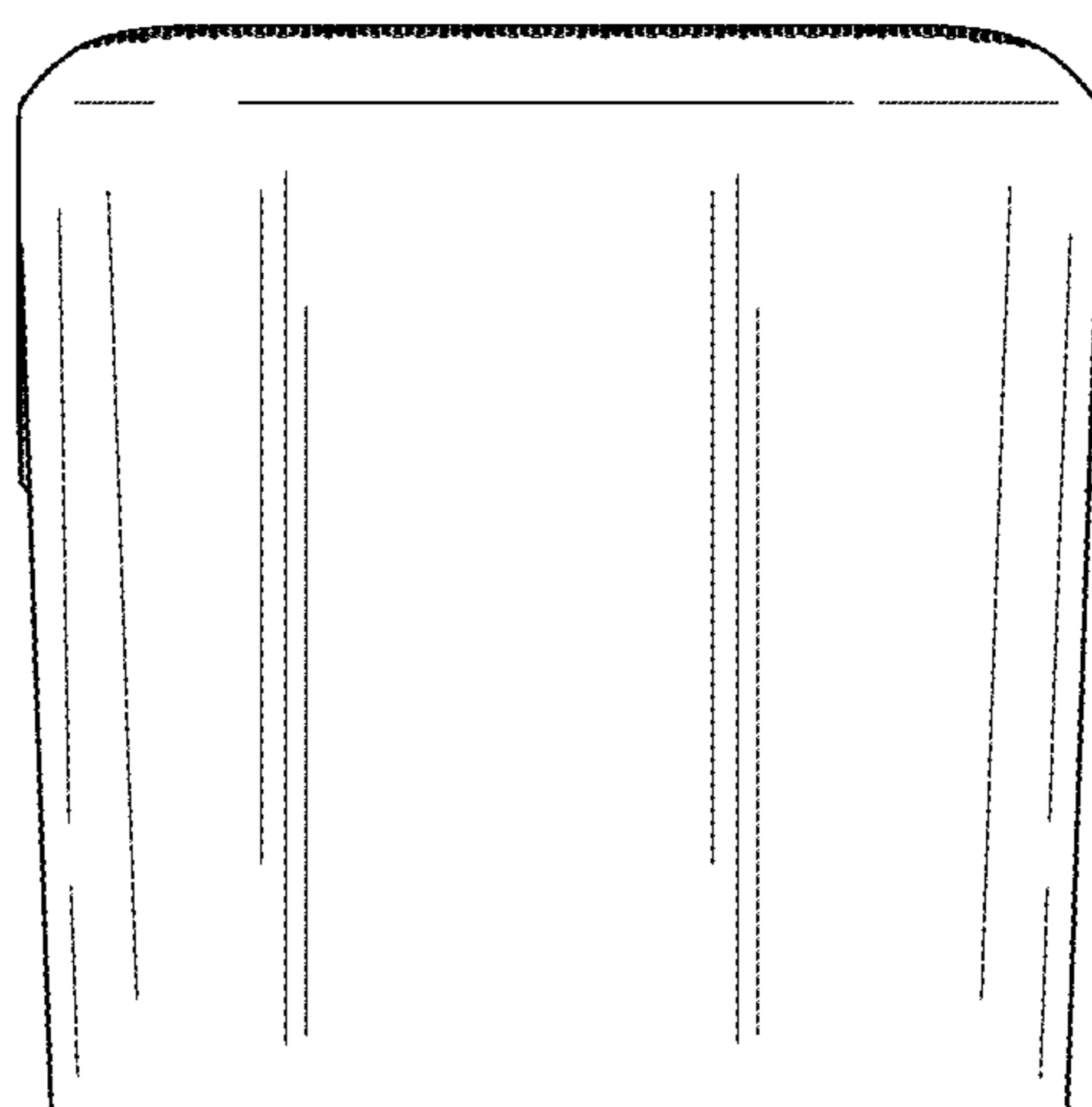


FIG. 6

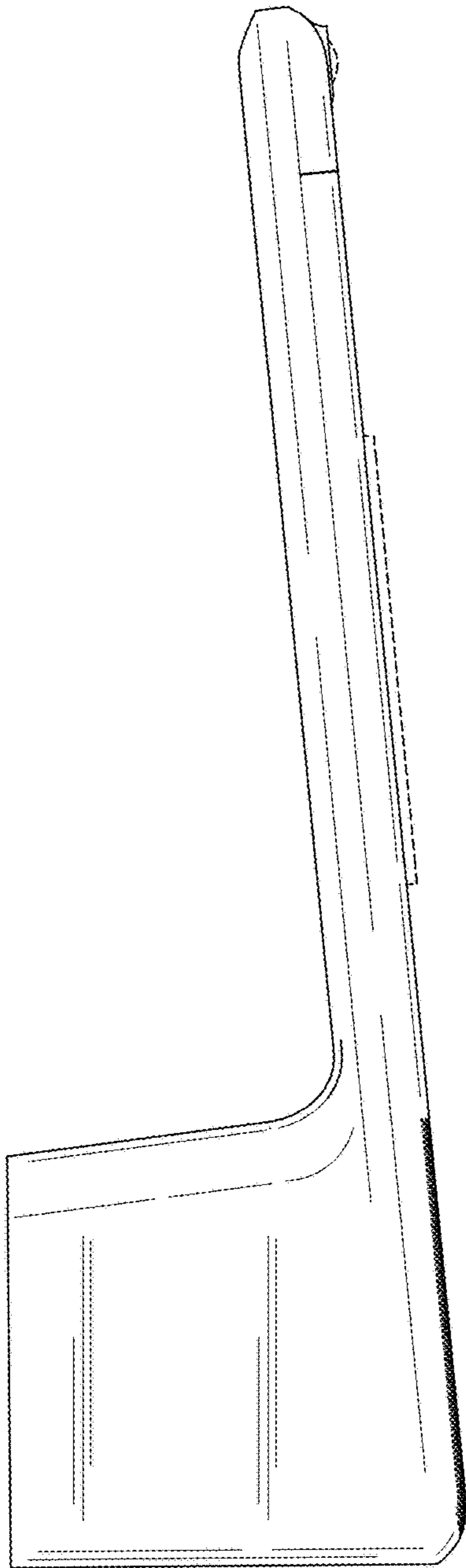


FIG. 7

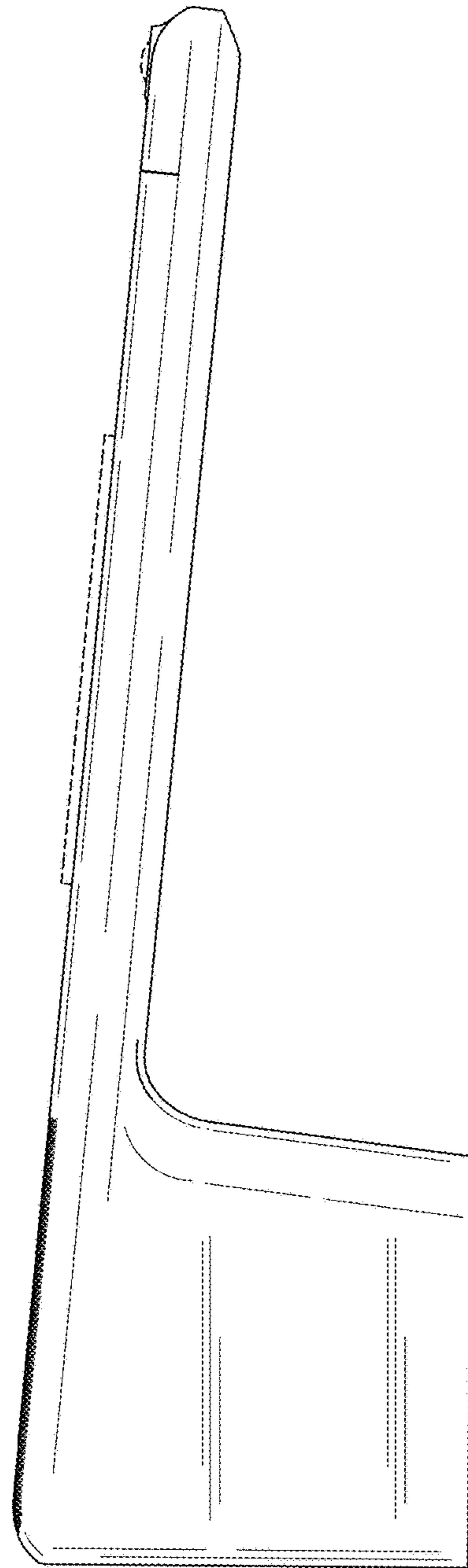


FIG. 8