



US00D868791S

(12) **United States Design Patent**
Weng

(10) **Patent No.:** **US D868,791 S**

(45) **Date of Patent:** **** Dec. 3, 2019**

(54) **PROTECTIVE CASE FOR A TABLET PC WITH A STAND**

D772,288 S * 11/2016 Montes D14/488
D775,198 S * 12/2016 Montes D14/489
D794,626 S * 8/2017 Armstrong D14/250

(Continued)

(71) Applicant: **Shenzhen Guangyipeng Technology Co., Ltd.**, Shenzhen, Guangdong (CN)

Primary Examiner — Cynthia R Underwood

(72) Inventor: **Jie Weng**, Guangdong (CN)

(73) Assignee: **Shenzhen Guangyipeng Technology Co., Ltd.**, Shenzhen (CN)

(57) **CLAIM**

The ornamental design for a protective case for a tablet PC with a stand, as shown and described.

(**) Term: **15 Years**

DESCRIPTION

(21) Appl. No.: **29/674,419**

(22) Filed: **Dec. 21, 2018**

(51) **LOC (12) Cl.** **14-02**

(52) **U.S. Cl.**
USPC **D14/440**

(58) **Field of Classification Search**
USPC D14/440, 447, 250; 206/45.23, 320, 206/45.2; 361/679.55; 294/25; 224/218
CPC G06F 1/1628; G06F 1/1626; A47B 23/044
See application file for complete search history.

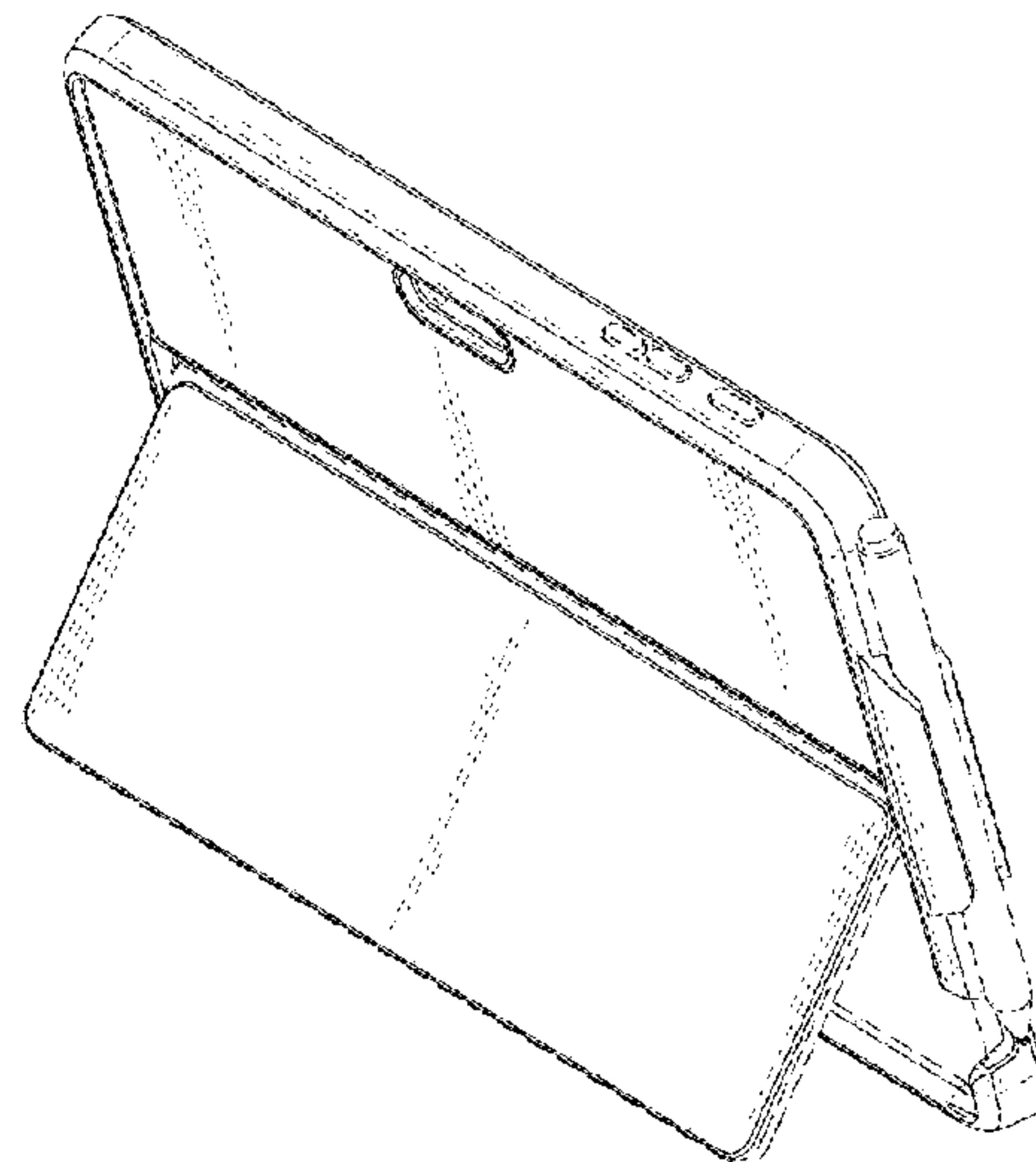
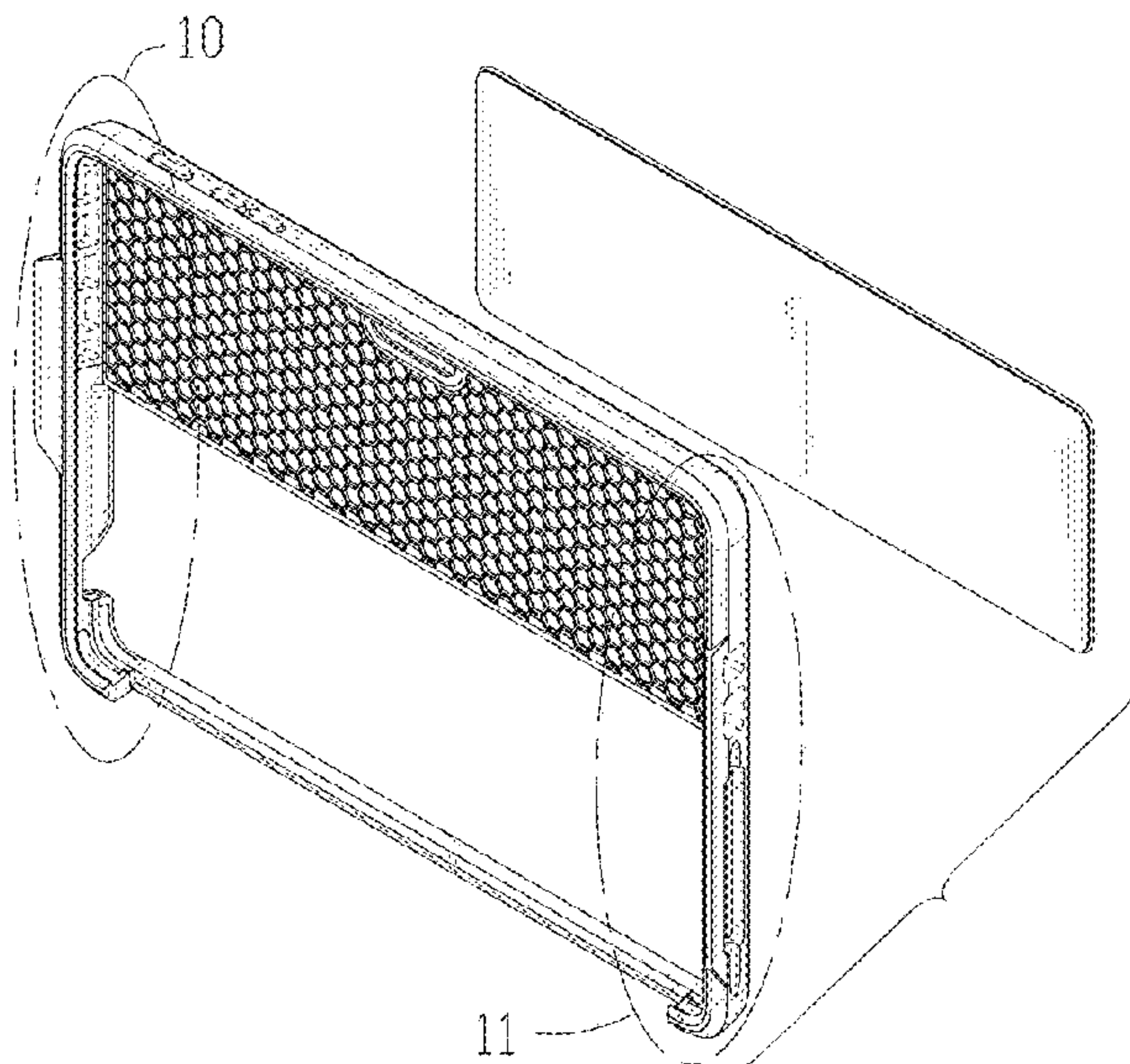
FIG. 1 is a top, front and right side perspective view of a protective case for a tablet PC with a stand in a disengaged state showing my new design;
FIG. 2 is a bottom, rear and left side perspective view thereof;
FIG. 3 is a top, rear and right side perspective view thereof;
FIG. 4 is a front elevational view thereof;
FIG. 5 is a rear elevational view thereof;
FIG. 6 is a left side view thereof;
FIG. 7 is a right side view thereof;
FIG. 8 is a top plan view thereof;
FIG. 9 is a bottom plan view thereof;
FIG. 10 is an enlarged view of portion 10 in FIG. 1;
FIG. 11 is an enlarged view of portion 11 in FIG. 1;
FIG. 12 is an enlarged view of portion 12 in FIG. 2;
FIG. 13 is an enlarged view of portion 13 in FIG. 3;
FIG. 14 is a top, rear and left side perspective view showing the protective case for a tablet PC with a stand in a use state; and,
FIG. 15 is a top, front and right side perspective view showing the protective case for a tablet PC with a stand in another use state.
The broken lines in the drawings illustrate portions of the protective case for a tablet PC with a stand or environmental subject matters which form no part of the claimed design.

(56) **References Cited**

U.S. PATENT DOCUMENTS

D597,052 S * 7/2009 Kim D14/138 AB
D634,314 S * 3/2011 Fahrendorff D14/250
D649,144 S * 11/2011 Fathollahi D14/250
D685,358 S * 7/2013 Armstrong D14/250
D685,786 S * 7/2013 Seoc D14/353
D690,292 S * 9/2013 Bibla D14/250
D715,785 S * 10/2014 Jacob D14/250
D719,144 S * 12/2014 Eulette D14/250
D721,686 S * 1/2015 Jacob D14/250
D733,696 S * 7/2015 Burgett D14/250
D742,869 S * 11/2015 Odhwani D14/250
D752,593 S * 3/2016 Diebel G06F 1/1679
D14/440
D768,123 S * 10/2016 Armstrong D14/250
D770,458 S * 11/2016 Corcoran D14/440

1 Claim, 15 Drawing Sheets



(56)

References Cited

U.S. PATENT DOCUMENTS

D806,082 S * 12/2017 Armstrong D14/440
 D825,571 S * 8/2018 Shannon, III D14/440
 D832,269 S * 10/2018 Cheng D14/440
 10,148,307 B2 * 12/2018 Shannon, III H04B 1/3888
 D844,621 S * 4/2019 Chen D14/440
 D851,648 S * 6/2019 Tan D14/440
 2008/0167095 A1 * 7/2008 Kim H04M 1/0216
 455/575.3
 2009/0159763 A1 * 6/2009 Kim F16M 13/00
 248/174
 2009/0194209 A1 * 8/2009 De Filippis A45C 11/00
 150/107
 2012/0268891 A1 * 10/2012 Cencioni G06F 1/1626
 361/679.55
 2013/0088431 A1 * 4/2013 Ballagas G06F 1/1626
 345/168
 2013/0223005 A1 * 8/2013 Smith G06F 1/1628
 361/679.55
 2013/0233762 A1 * 9/2013 Balaji B65D 25/00
 206/736

2013/0241381 A1 * 9/2013 Hyncek H05K 5/0217
 312/240
 2014/0246340 A1 * 9/2014 Jiang A45C 11/00
 206/45.23
 2015/0065208 A1 * 3/2015 Balaji H04M 1/04
 455/575.8
 2015/0151887 A1 * 6/2015 Huang A45C 11/00
 224/191
 2015/0237979 A1 * 8/2015 Huang A45C 11/00
 206/45.25
 2015/0263776 A1 * 9/2015 Shyu A45C 13/002
 455/575.8
 2015/0266610 A1 * 9/2015 Melmon B65D 5/5206
 206/45.23
 2015/0280768 A1 * 10/2015 Huang H04B 1/3888
 455/575.8
 2019/0142992 A1 * 5/2019 Davidson C08G 18/10
 424/445
 2019/0144163 A1 * 5/2019 Lim B65D 19/0028
 108/53.5
 2019/0149808 A1 * 5/2019 Ng H04N 13/305
 348/59
 2019/0275714 A1 * 9/2019 Kanoh B29C 45/14065

* cited by examiner

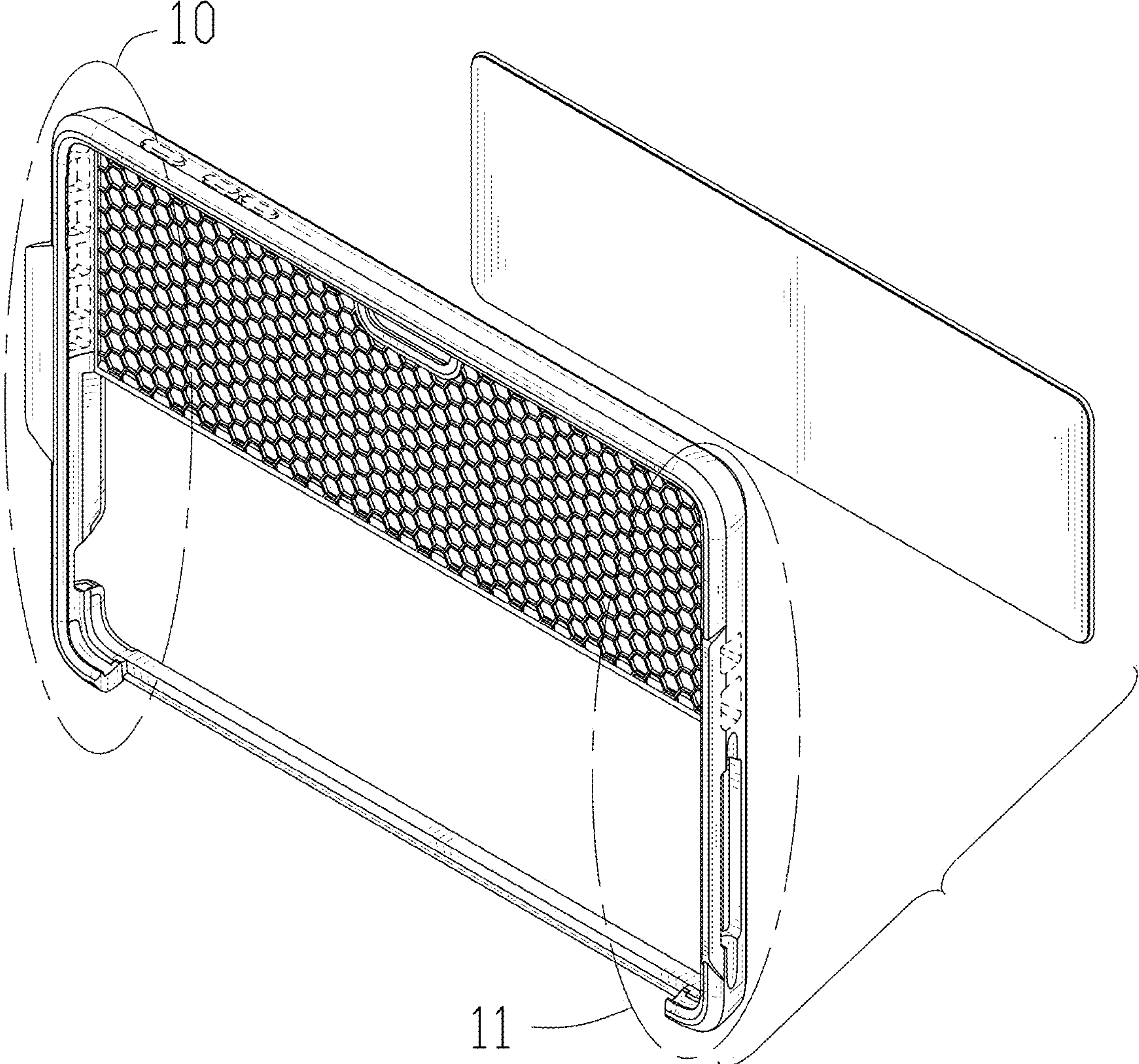


FIG. 1

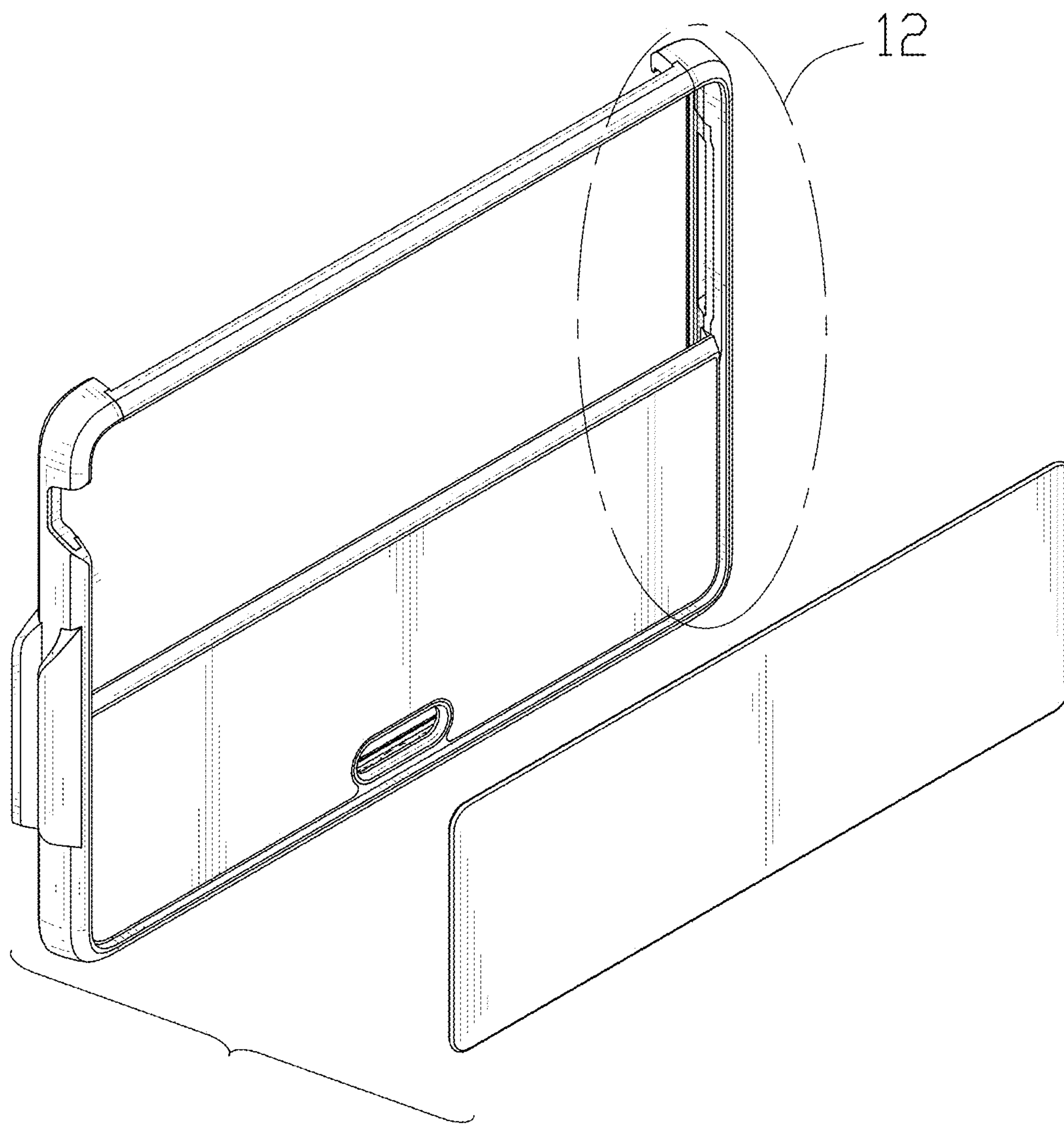


FIG. 2

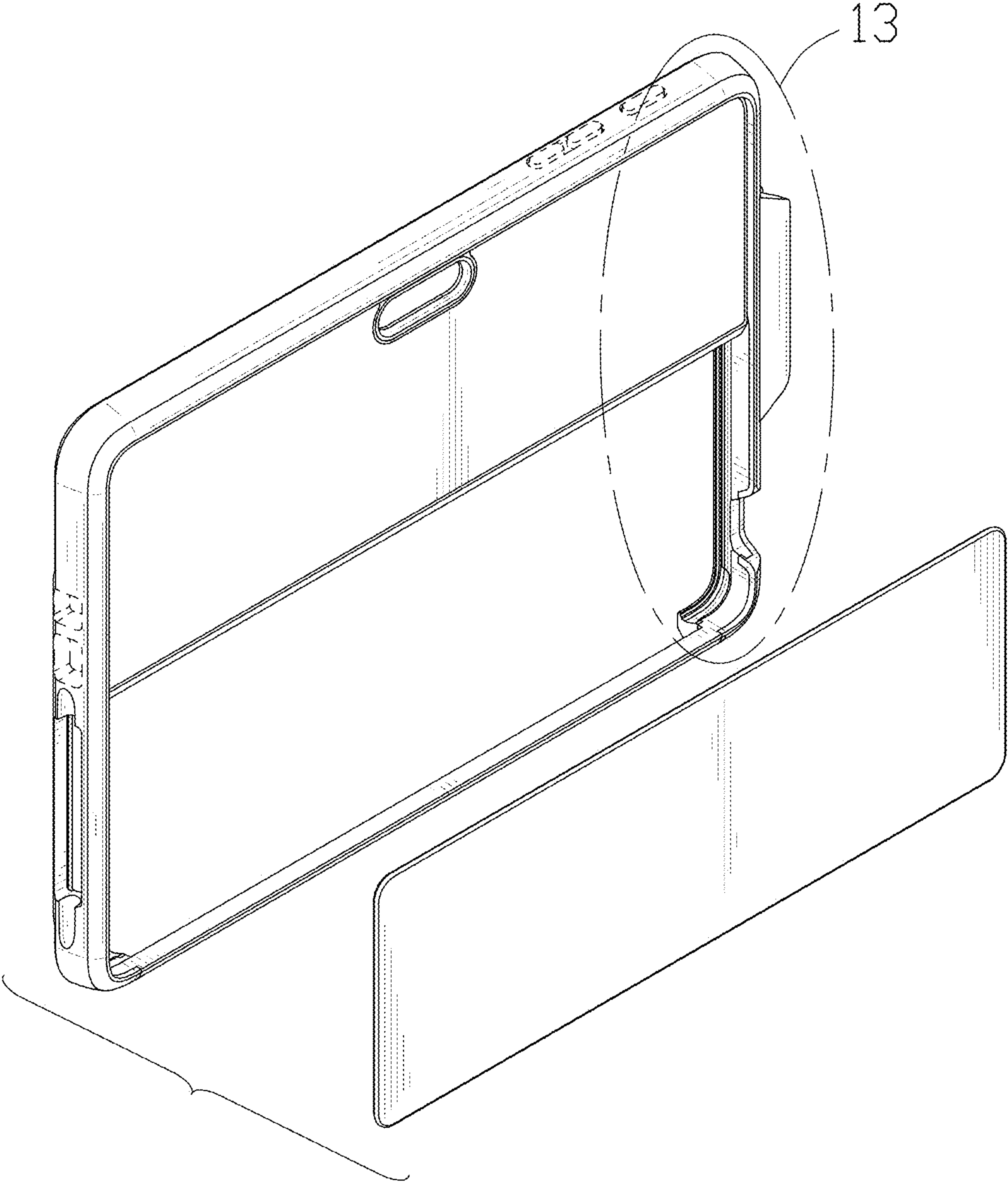


FIG. 3

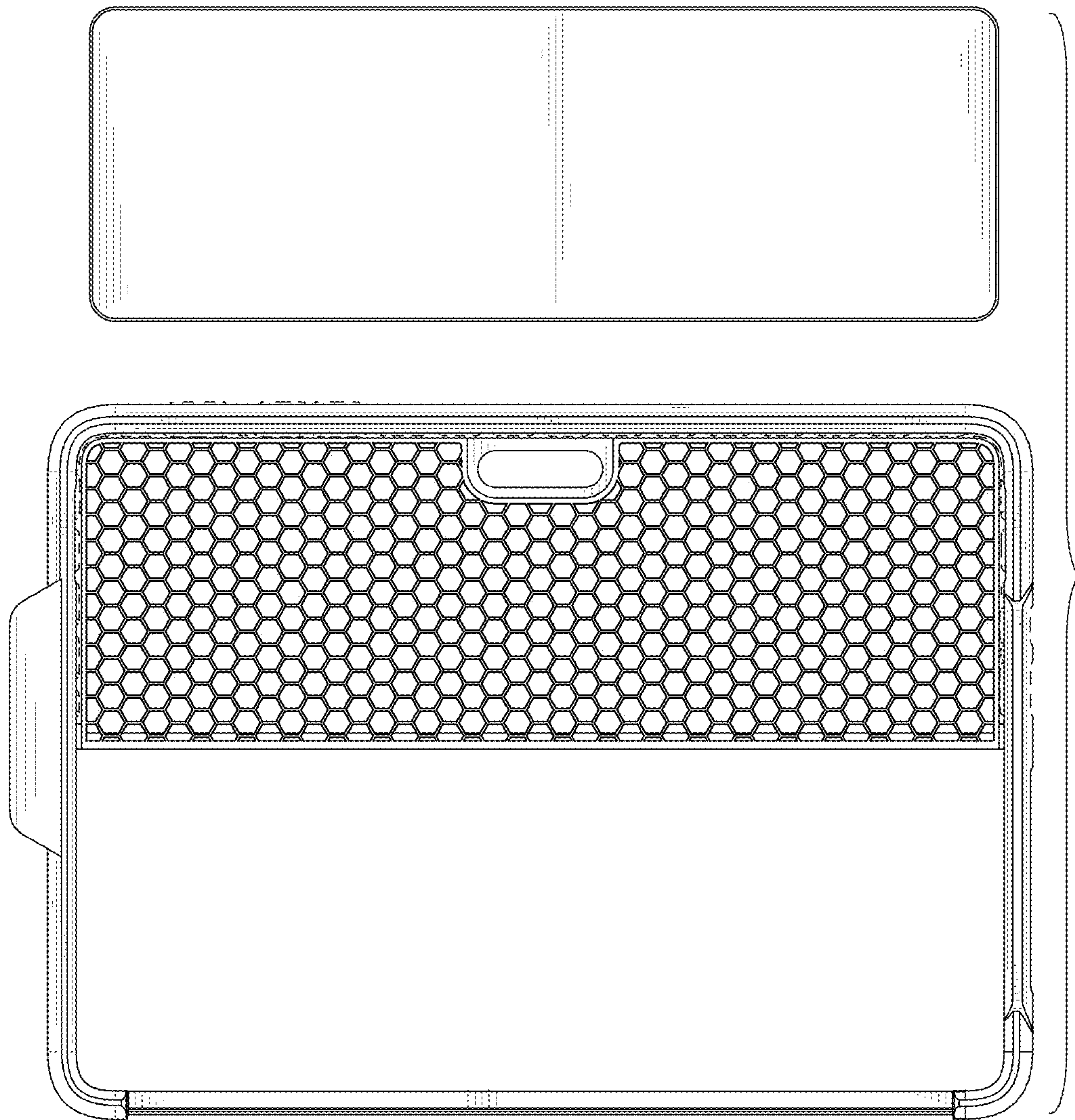


FIG. 4

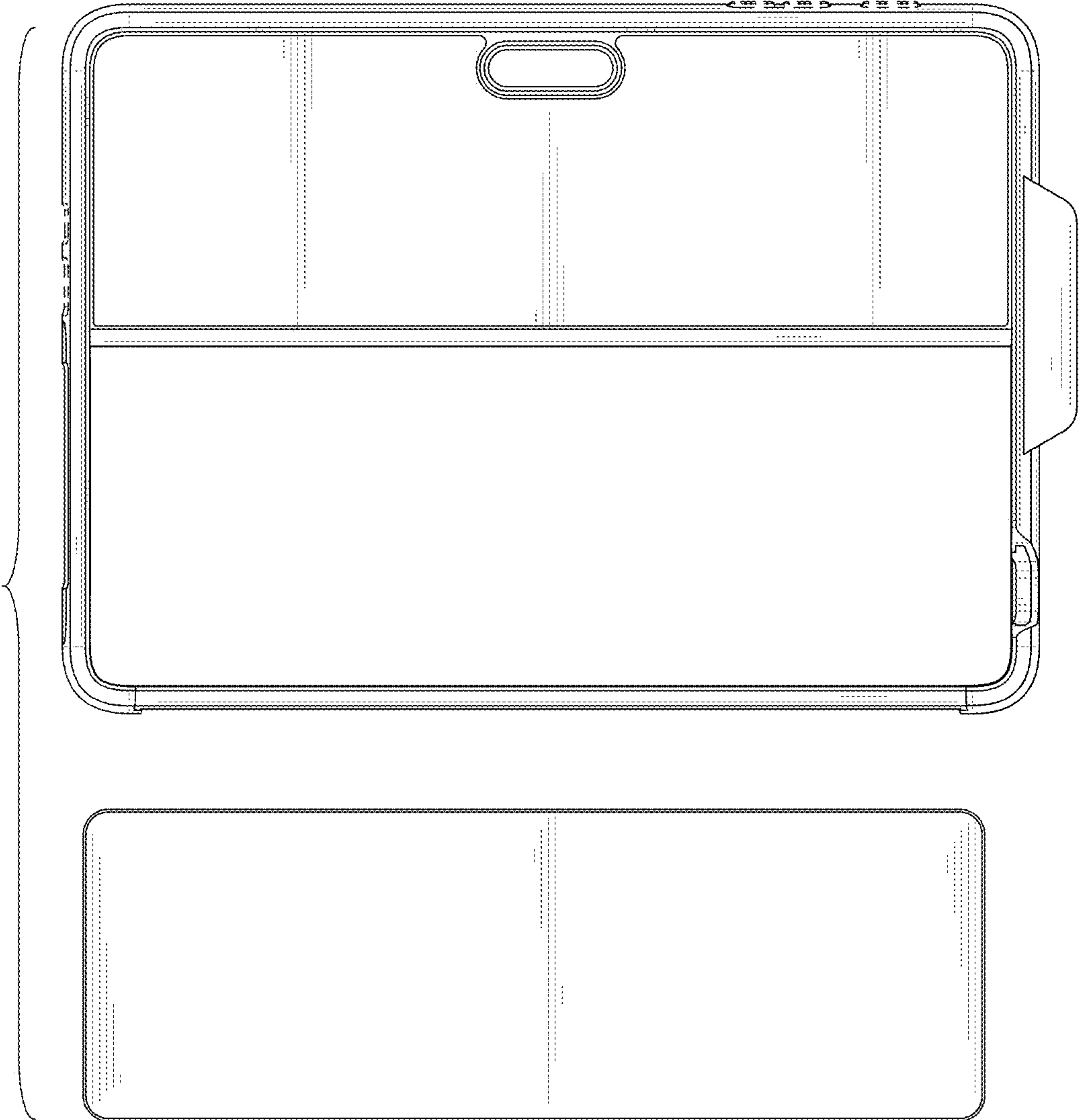


FIG. 5

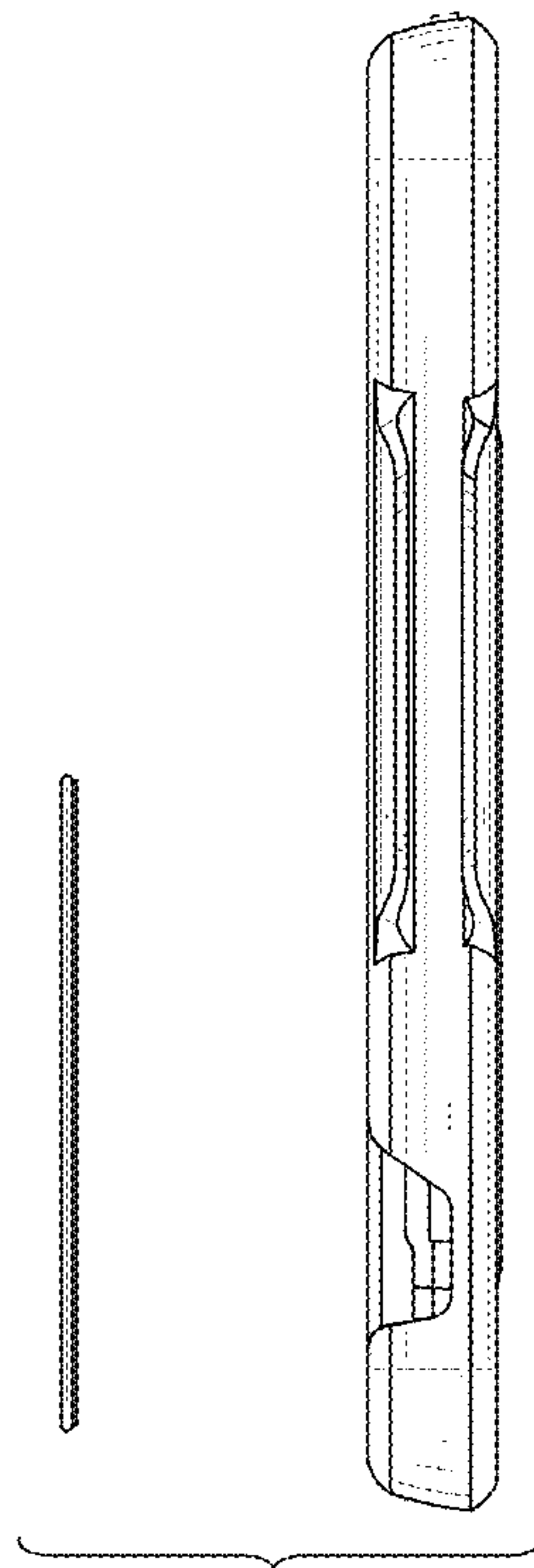


FIG. 6

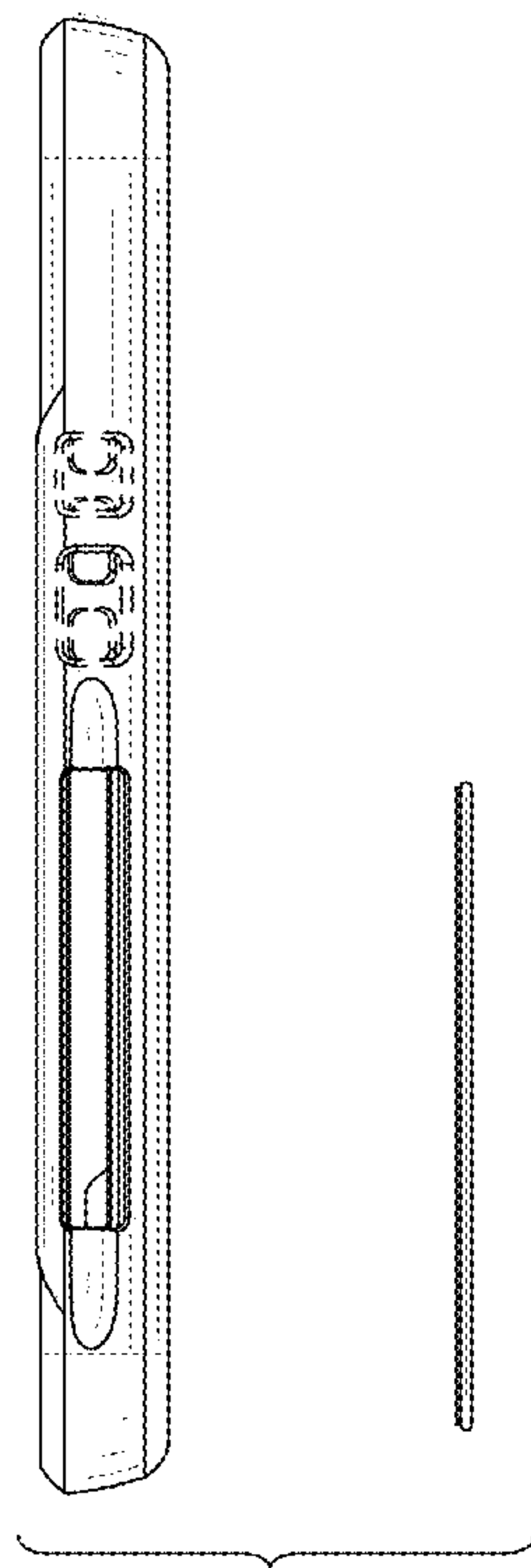


FIG. 7

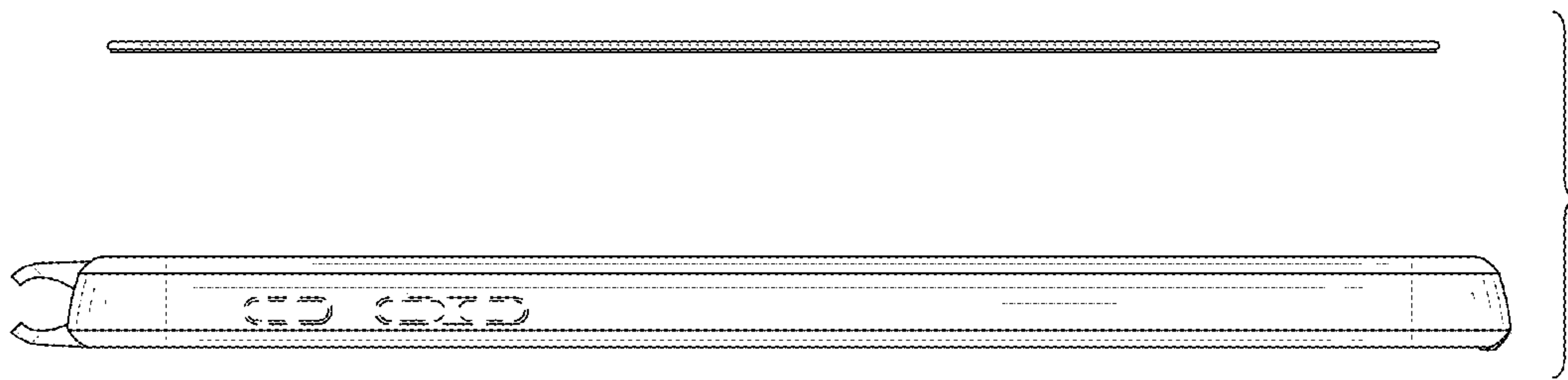


FIG. 8

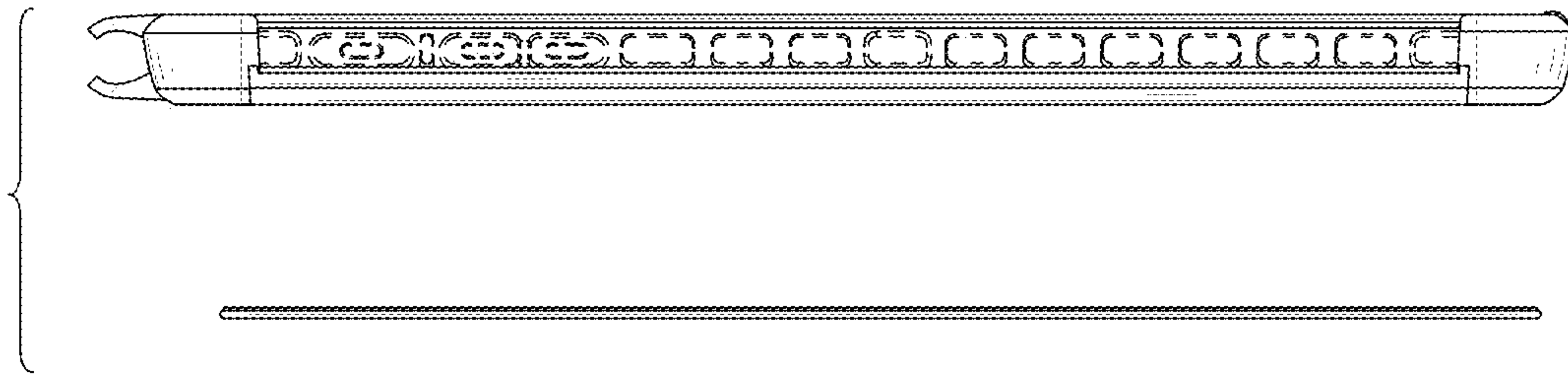


FIG. 9

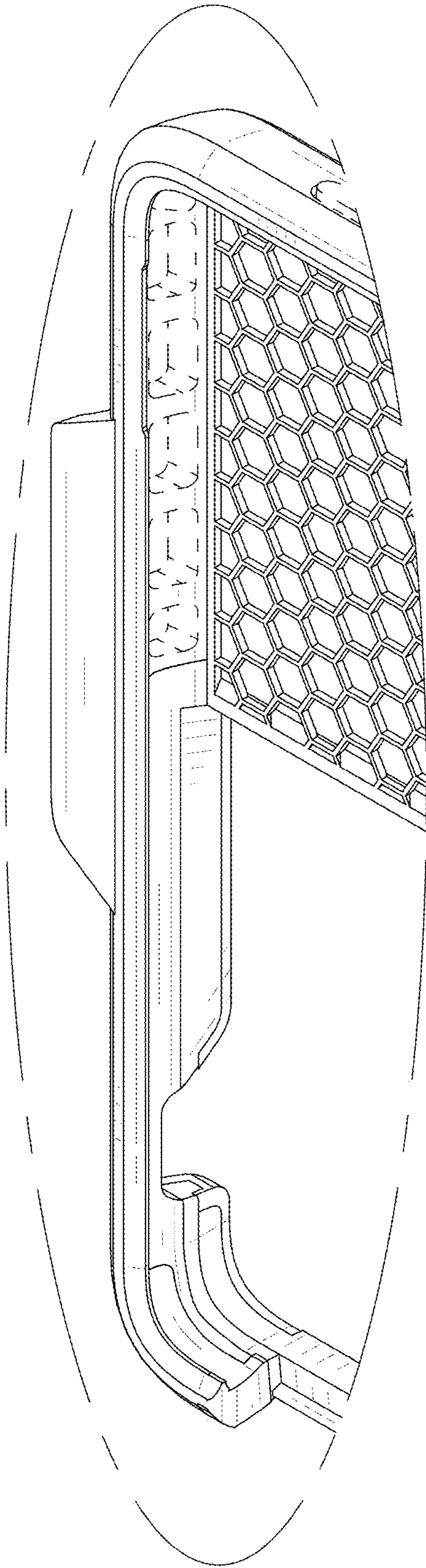


FIG. 10

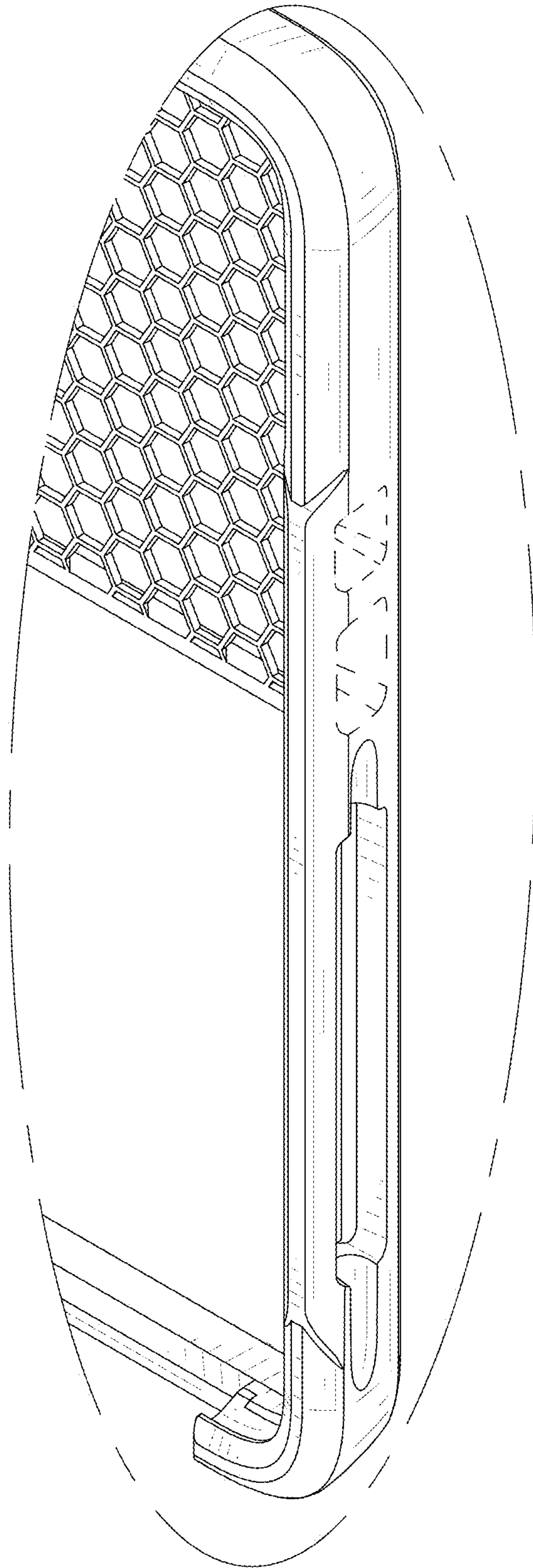


FIG. 11

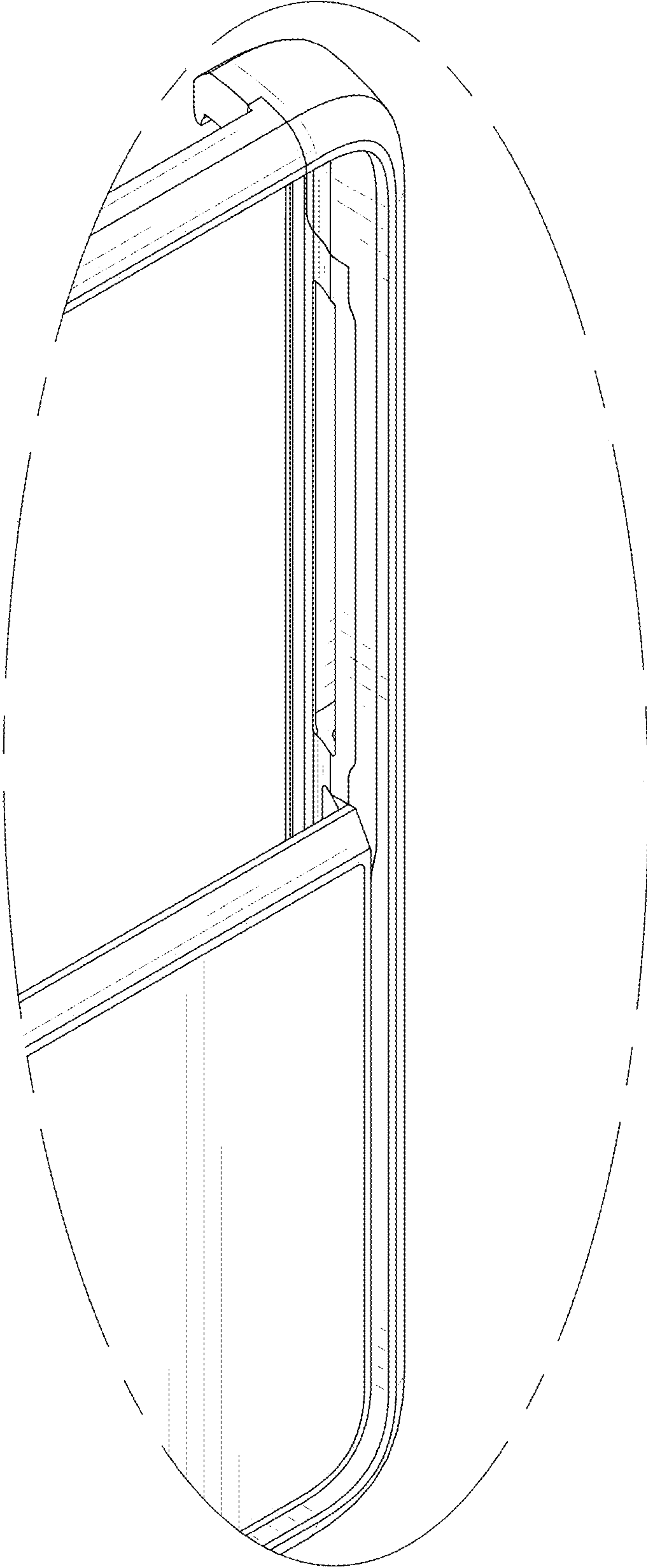


FIG. 12

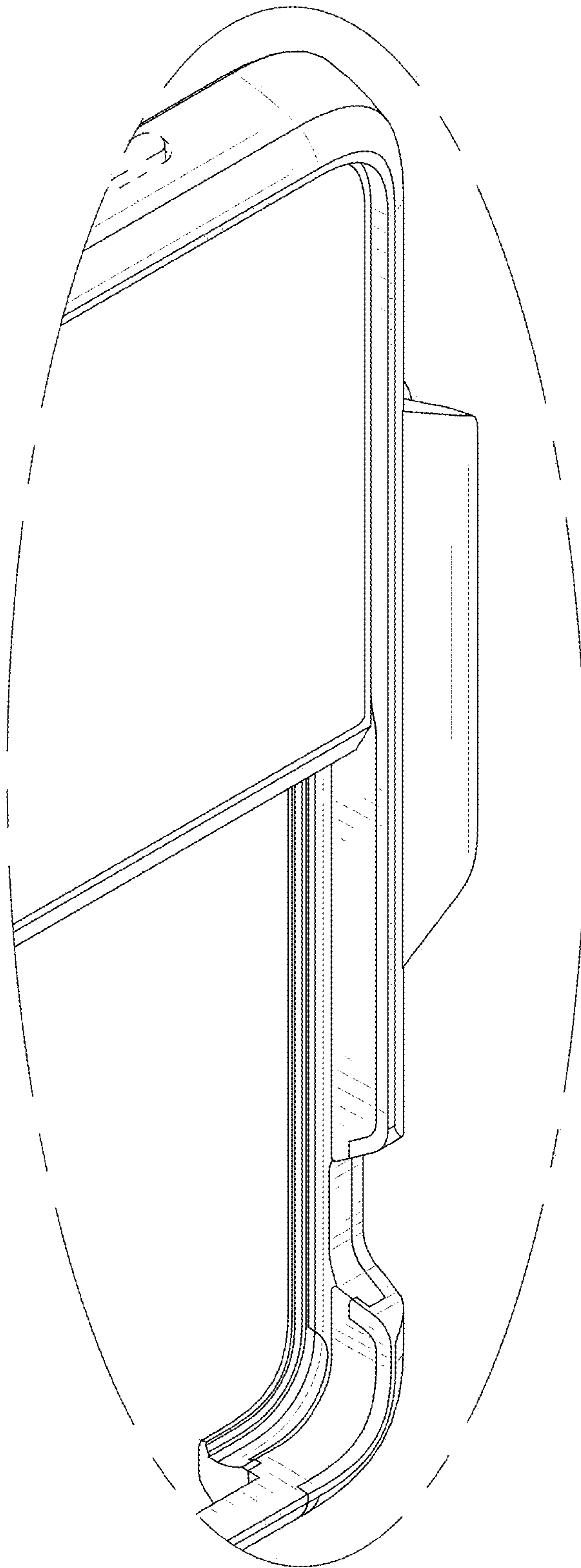


FIG. 13

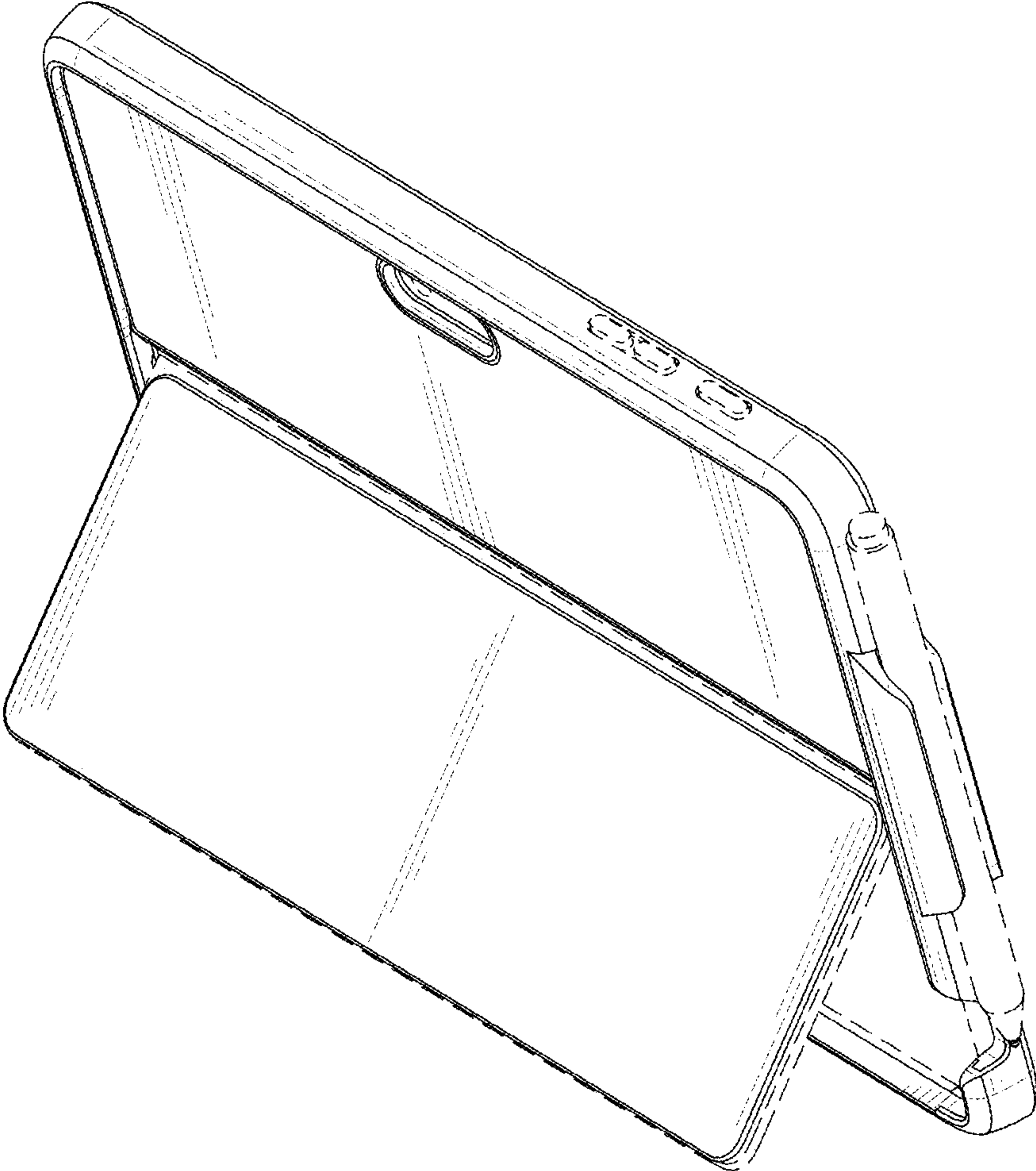


FIG. 14

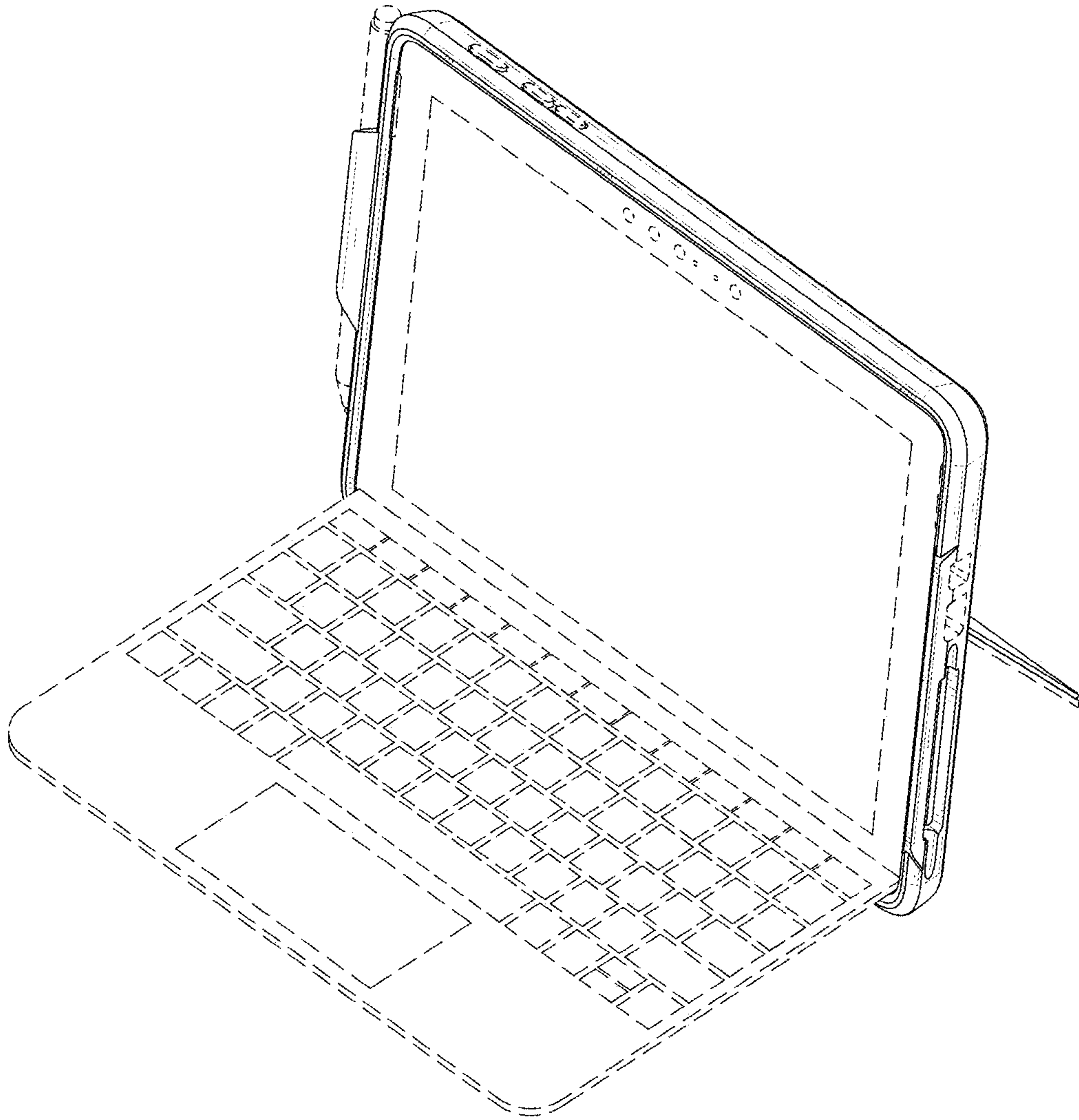


FIG. 15