



US00D868789S

(12) **United States Design Patent**
Weng

(10) **Patent No.:** **US D868,789 S**

(45) **Date of Patent:** **** Dec. 3, 2019**

(54) **TABLET CASE**

(71) Applicant: **Shenzhen Guangyipeng Technology Co., Ltd.**, Shenzhen, Guangdong (CN)

(72) Inventor: **Jie Weng**, Guangdong (CN)

(73) Assignee: **Shenzhen Guangyipeng Technology Co., Ltd.**, Shenzhen (CN)

(**) Term: **15 Years**

(21) Appl. No.: **29/667,821**

(22) Filed: **Oct. 25, 2018**

(51) **LOC (12) Cl.** **14-02**

(52) **U.S. Cl.**
USPC **D14/440**

(58) **Field of Classification Search**
USPC D14/440, 447, 250; 206/45.23, 320,
206/45.2; 361/679.55; 294/25; 224/218
CPC G06F 1/1628; G06F 1/1626; A47B 23/044
See application file for complete search history.

(56) **References Cited**

U.S. PATENT DOCUMENTS

D597,052 S *	7/2009	Kim	D14/138 AB
D634,314 S *	3/2011	Fahrendorff	D14/250
D649,144 S *	11/2011	Fathollahi	D14/250
D685,358 S *	7/2013	Armstrong	D14/250
D685,786 S *	7/2013	Seoc	D14/353
D690,292 S *	9/2013	Bibla	D14/250
D715,785 S *	10/2014	Jacob	D14/250
D719,144 S *	12/2014	Eulette	D14/250
D721,686 S *	1/2015	Jacob	D14/250
D733,154 S *	6/2015	Armstrong	D14/440
D733,696 S *	7/2015	Burgett	D14/250
D742,869 S *	11/2015	Odhwani	D14/250
D752,593 S *	3/2016	Diebel	G06F 1/1679 D14/440
D768,123 S *	10/2016	Armstrong	D14/250

D770,458 S *	11/2016	Corcoran	D14/440
D772,288 S *	11/2016	Montes	D14/488
D775,198 S *	12/2016	Montes	D14/489
D794,626 S *	8/2017	Armstrong	D14/250
D801,976 S *	11/2017	Li	D14/440
D806,082 S *	12/2017	Armstrong	D14/440
D807,892 S *	1/2018	Wang	D14/440
D825,571 S *	8/2018	Shannon, III	D14/440
D832,269 S *	10/2018	Cheng	D14/440
D832,270 S *	10/2018	Cheng	D14/440
D832,271 S *	10/2018	Cheng	D14/440
10,148,307 B2 *	12/2018	Shannon, III	H04B 1/3888
D843,377 S *	3/2019	Tang	D14/440
D844,621 S *	4/2019	Chen	D14/440
D845,305 S *	4/2019	Xu	D14/440
D846,552 S *	4/2019	Feng	D14/440
D846,553 S *	4/2019	Feng	D14/440
D850,456 S *	6/2019	Armstrong	D14/440

(Continued)

Primary Examiner — Cynthia R Underwood

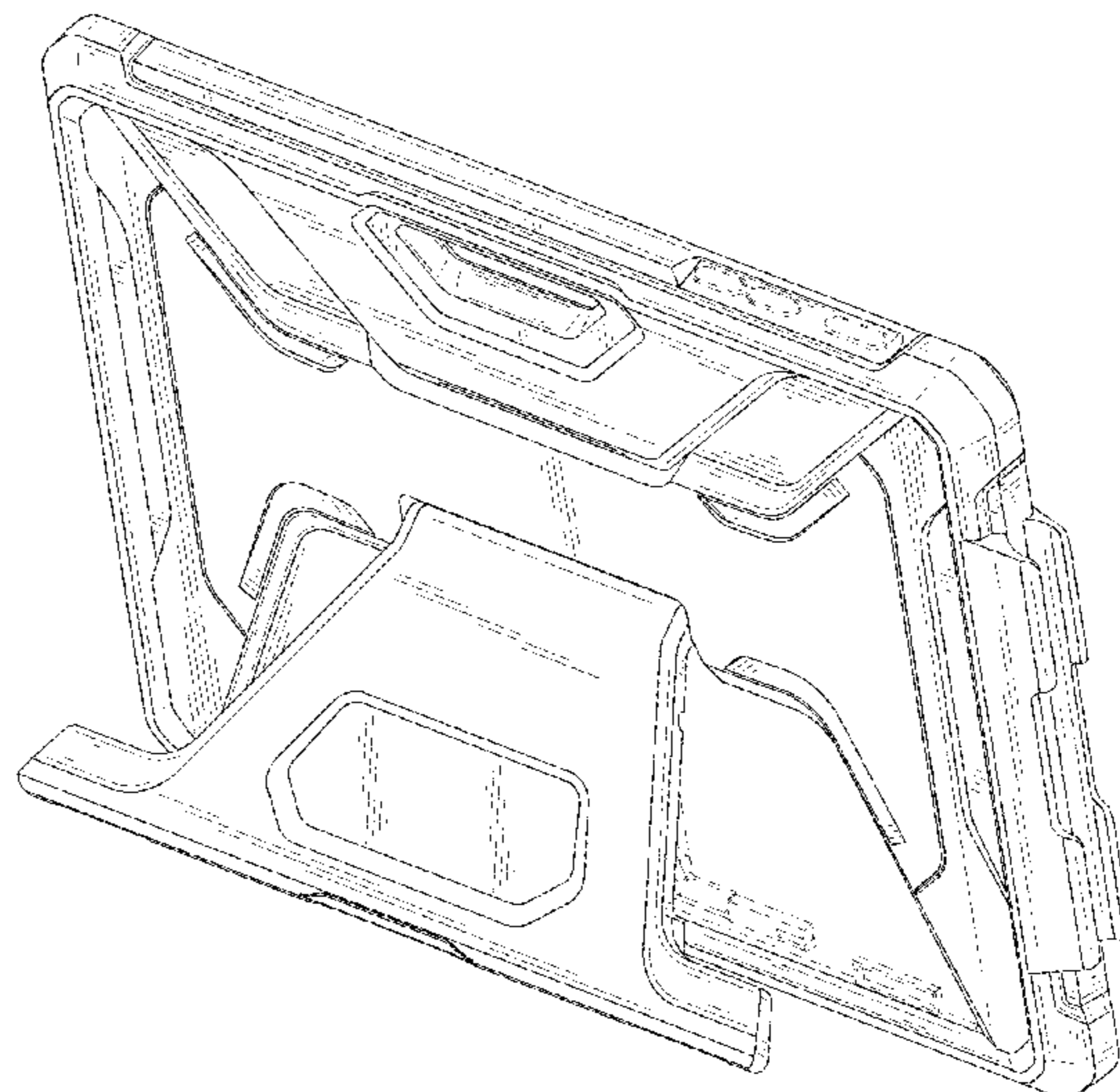
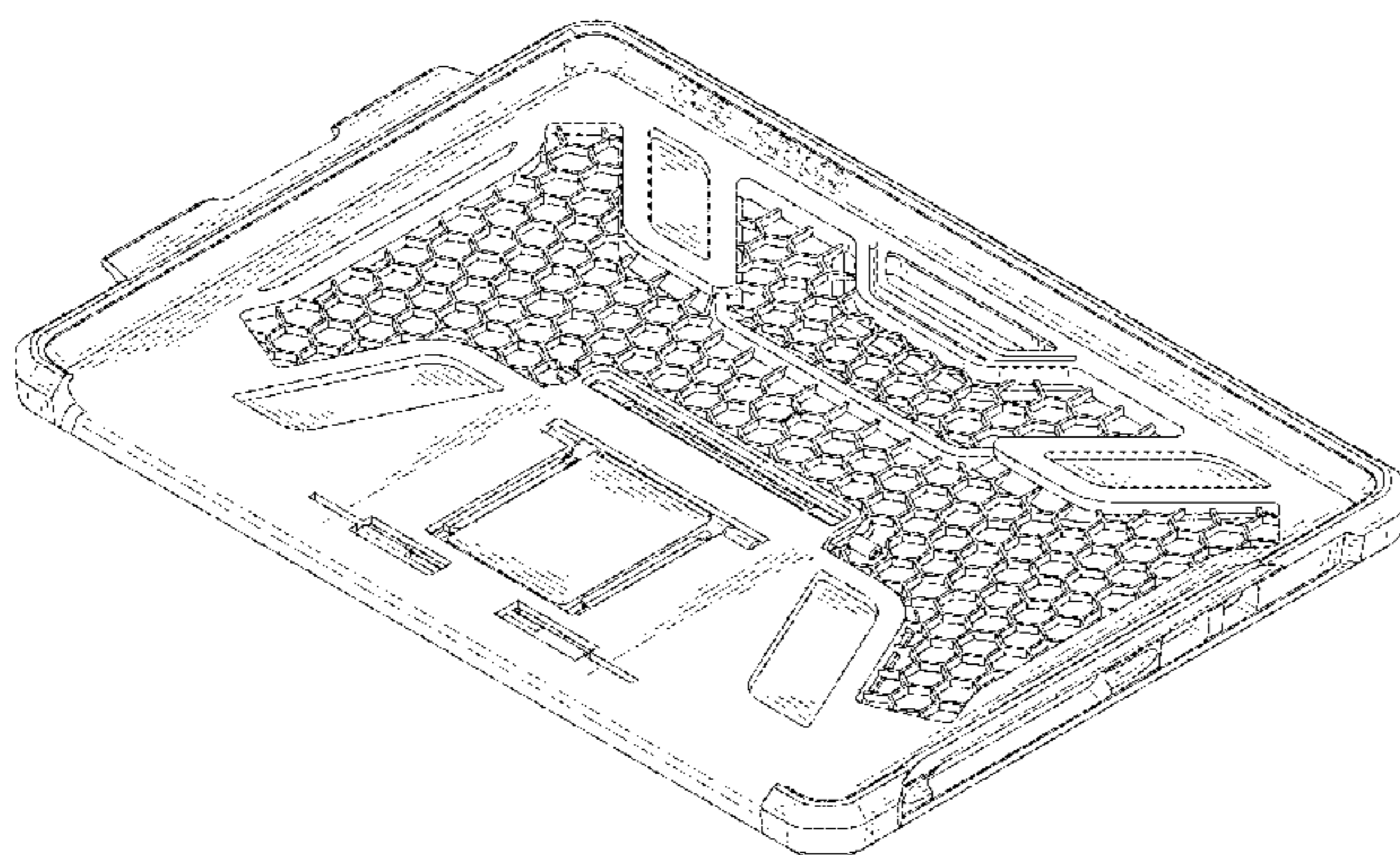
(57) **CLAIM**

The ornamental design for a tablet case, as shown and described.

DESCRIPTION

FIG. 1 is a top, front and right side perspective view of a tablet case showing my new design;
 FIG. 2 is a bottom, rear and left side perspective view thereof;
 FIG. 3 is a front elevational view thereof;
 FIG. 4 is a rear elevational view thereof;
 FIG. 5 is a left side view thereof;
 FIG. 6 is a right side view thereof;
 FIG. 7 is a top plan view thereof;
 FIG. 8 is a bottom plan view thereof; and,
 FIG. 9 is a perspective view showing the tablet case in a use state.
 The broken lines in the drawings illustrate portions of the tablet case which form no part of the claimed design.

1 Claim, 9 Drawing Sheets



(56)

References Cited

U.S. PATENT DOCUMENTS

D851,648 S * 6/2019 Tan D14/440
 D852,203 S * 6/2019 Rui D14/447
 2008/0029412 A1* 2/2008 Ho A47B 21/0314
 206/320
 2008/0167095 A1* 7/2008 Kim H04M 1/0216
 455/575.3
 2009/0159763 A1* 6/2009 Kim F16M 13/00
 248/174
 2009/0194209 A1* 8/2009 De Filippis A45C 11/00
 150/107
 2011/0266194 A1* 11/2011 Bau A45C 11/00
 206/736
 2011/0297566 A1* 12/2011 Gallagher F16M 11/105
 206/320
 2012/0268891 A1* 10/2012 Cencioni G06F 1/1626
 361/679.55
 2013/0088431 A1* 4/2013 Ballagas G06F 1/1626
 345/168
 2013/0223005 A1* 8/2013 Smith G06F 1/1628
 361/679.55
 2013/0233762 A1* 9/2013 Balaji B65D 25/00
 206/736

2013/0241381 A1* 9/2013 Hyncek H05K 5/0217
 312/240
 2014/0246340 A1* 9/2014 Jiang A45C 11/00
 206/45.23
 2015/0065208 A1* 3/2015 Balaji H04M 1/04
 455/575.8
 2015/0151887 A1* 6/2015 Huang A45C 11/00
 224/191
 2015/0237979 A1* 8/2015 Huang A45C 11/00
 206/45.25
 2015/0263776 A1* 9/2015 Shyu A45C 13/002
 455/575.8
 2015/0266610 A1* 9/2015 Melmon B65D 5/5206
 206/45.23
 2015/0280768 A1* 10/2015 Huang H04B 1/3888
 455/575.8
 2015/0296060 A1* 10/2015 Gu H04M 1/0235
 455/575.4
 2019/0142992 A1* 5/2019 Davidson C08G 18/10
 424/445
 2019/0144163 A1* 5/2019 Lim B65D 19/0028
 108/53.5
 2019/0149808 A1* 5/2019 Ng H04N 13/305
 348/59
 2019/0275714 A1* 9/2019 Kanoh B29C 45/14065

* cited by examiner

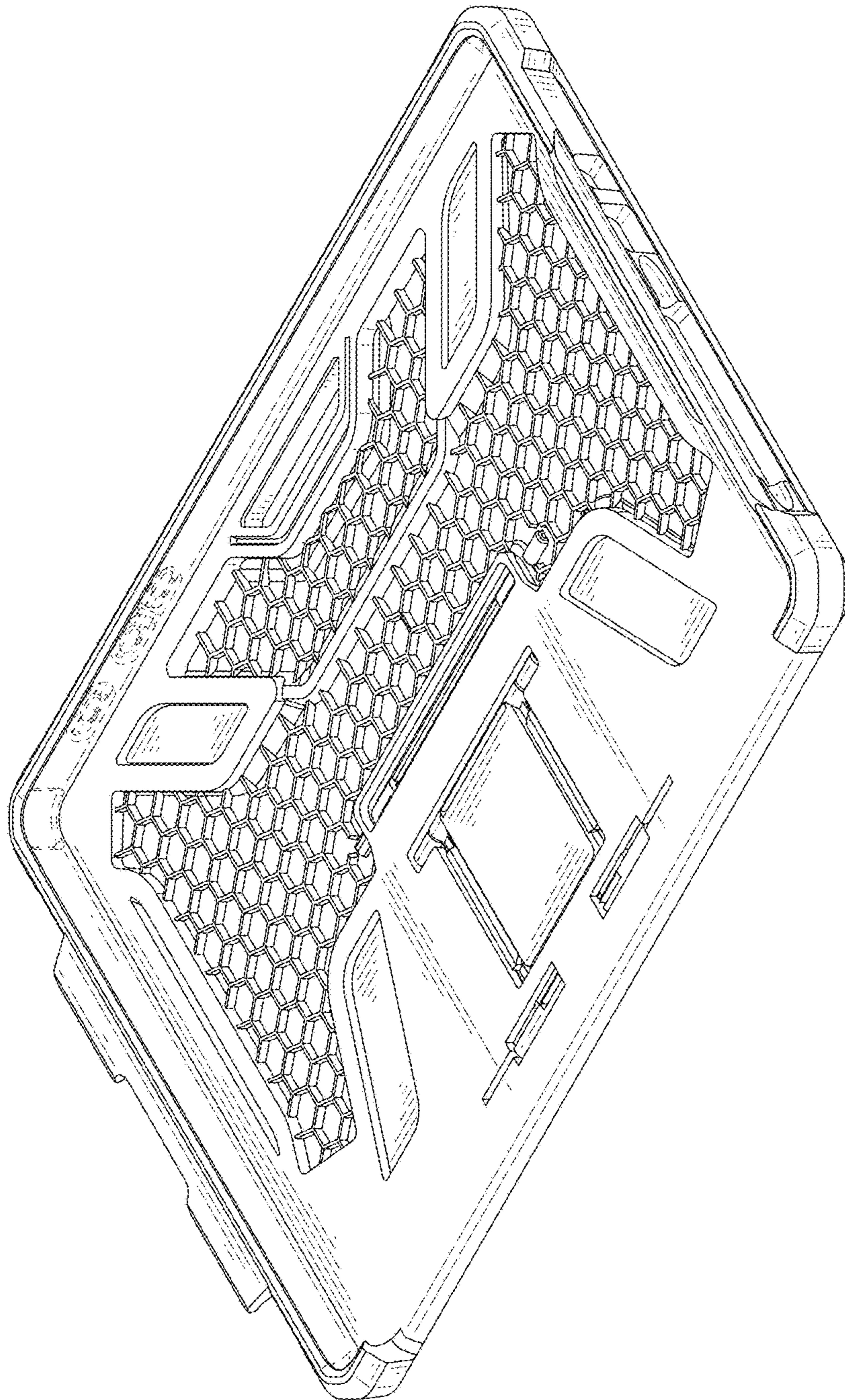


FIG. 1

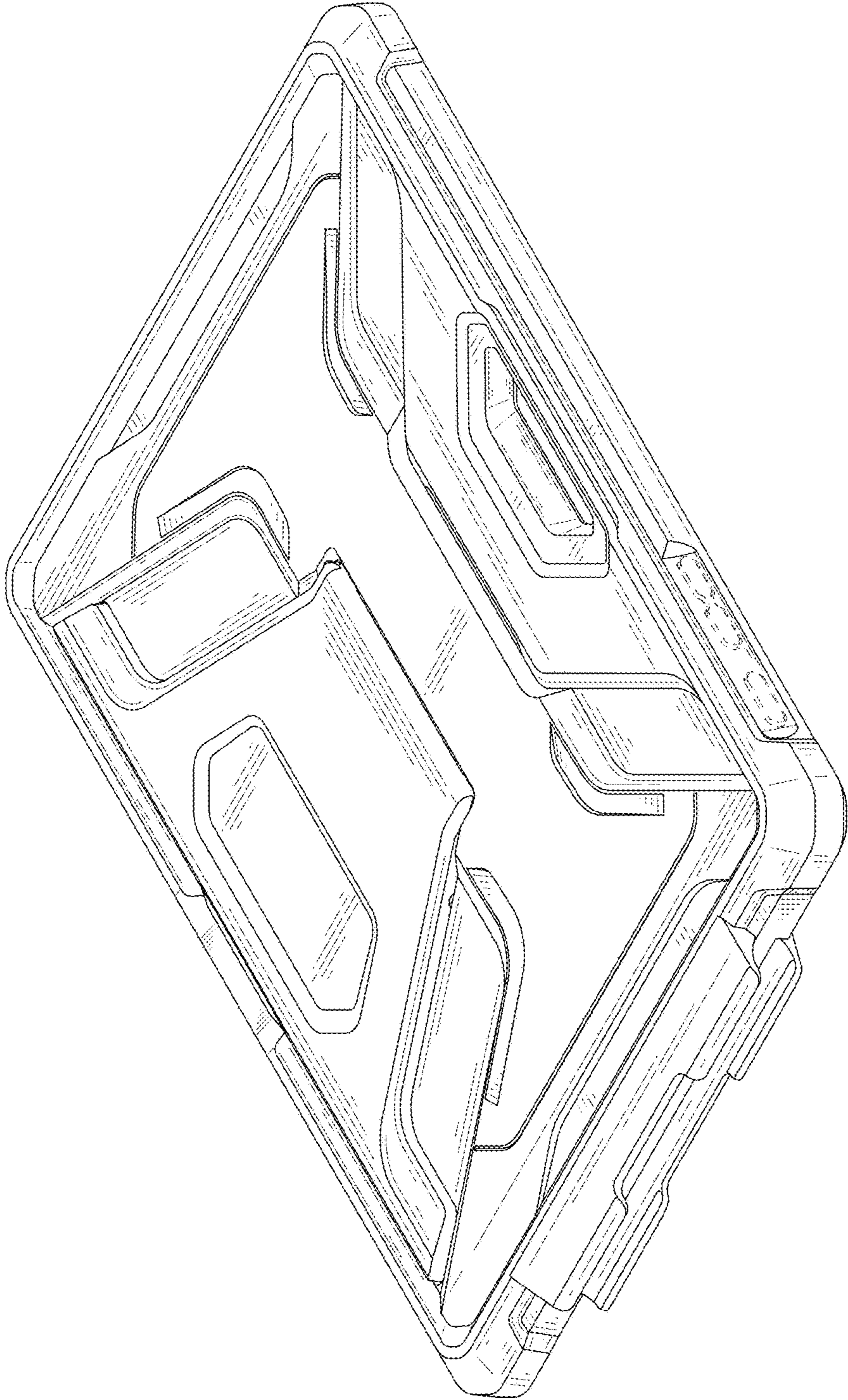


FIG. 2

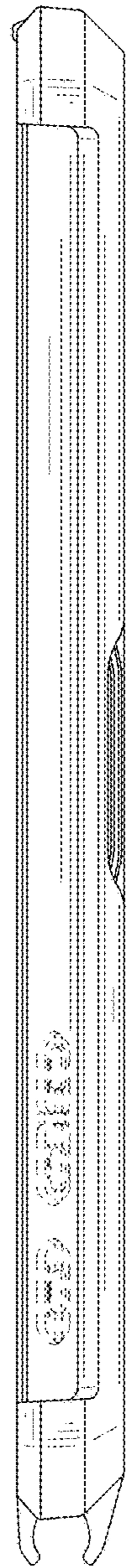


FIG. 3

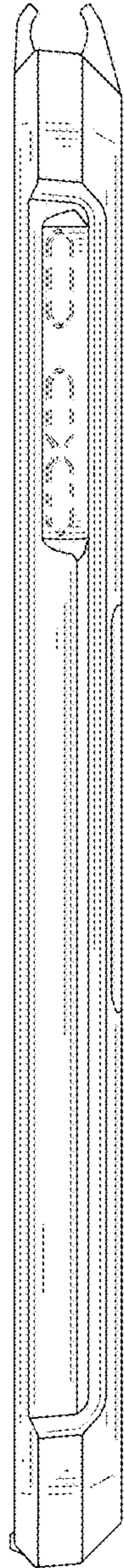


FIG. 4

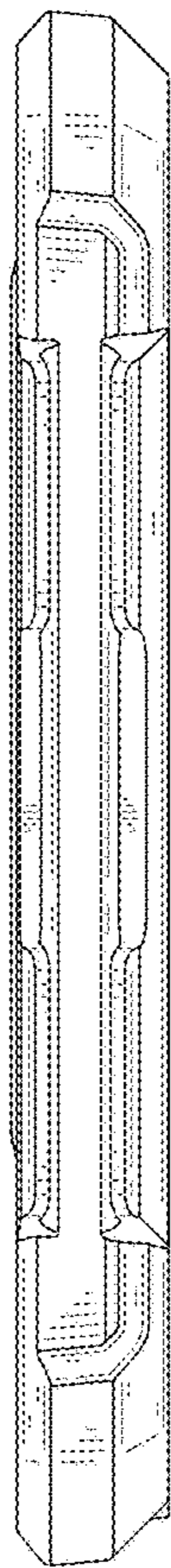


FIG. 5

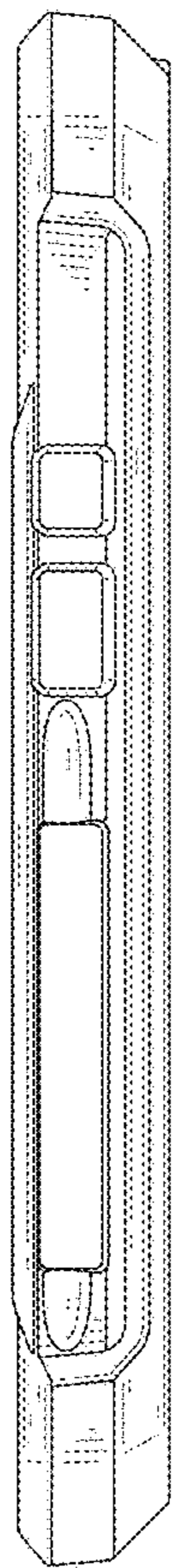


FIG. 6

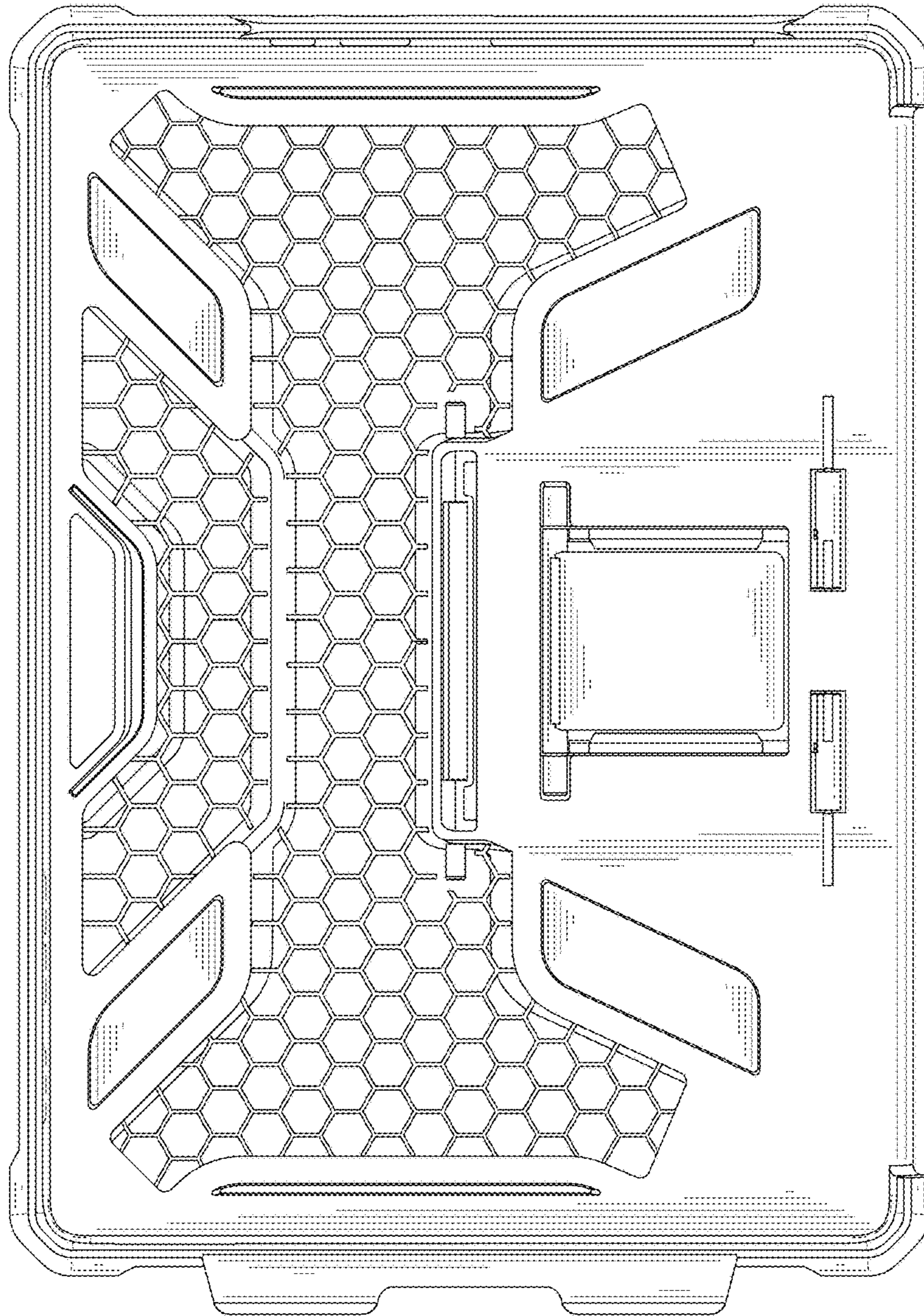


FIG. 7

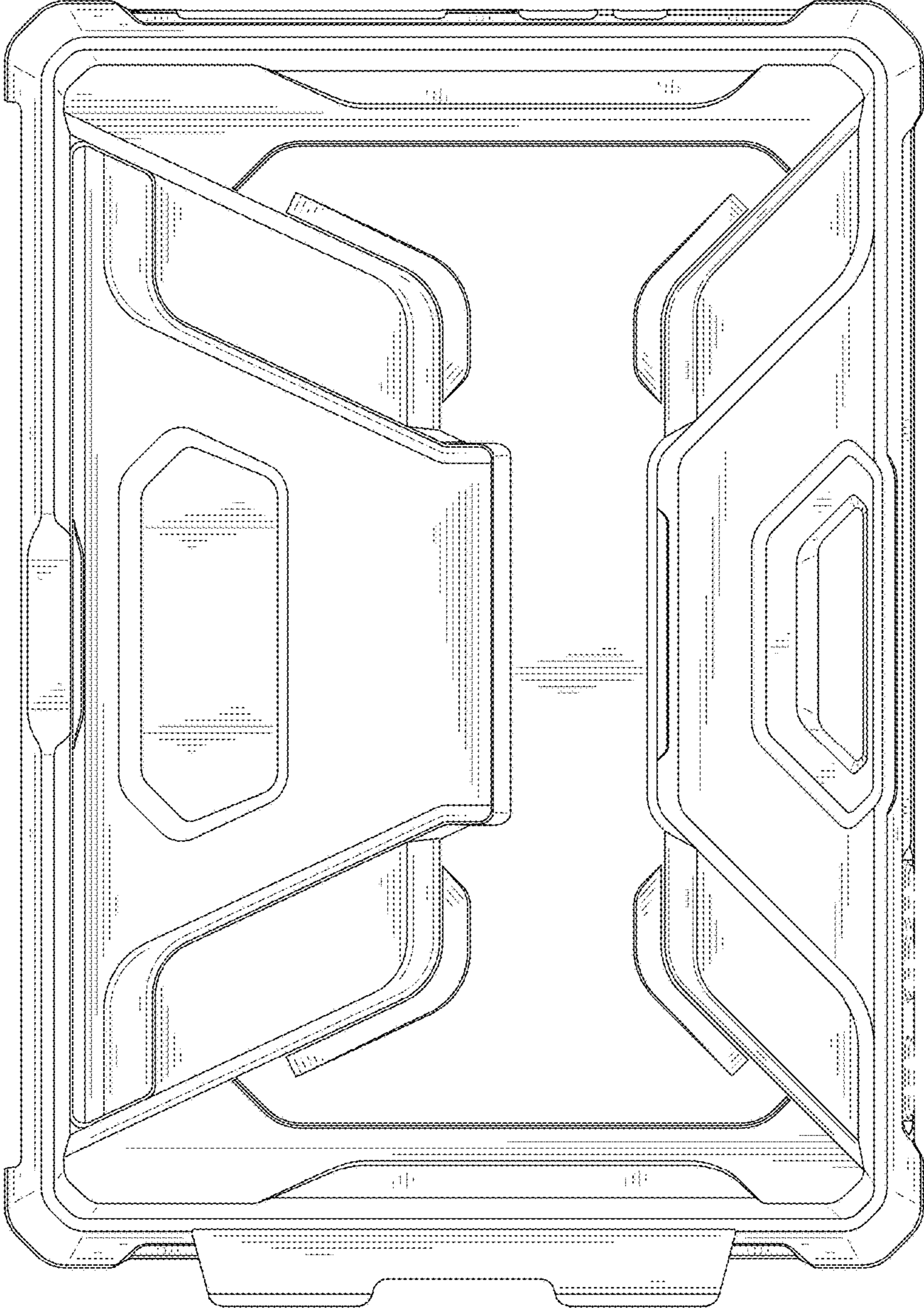


FIG. 8

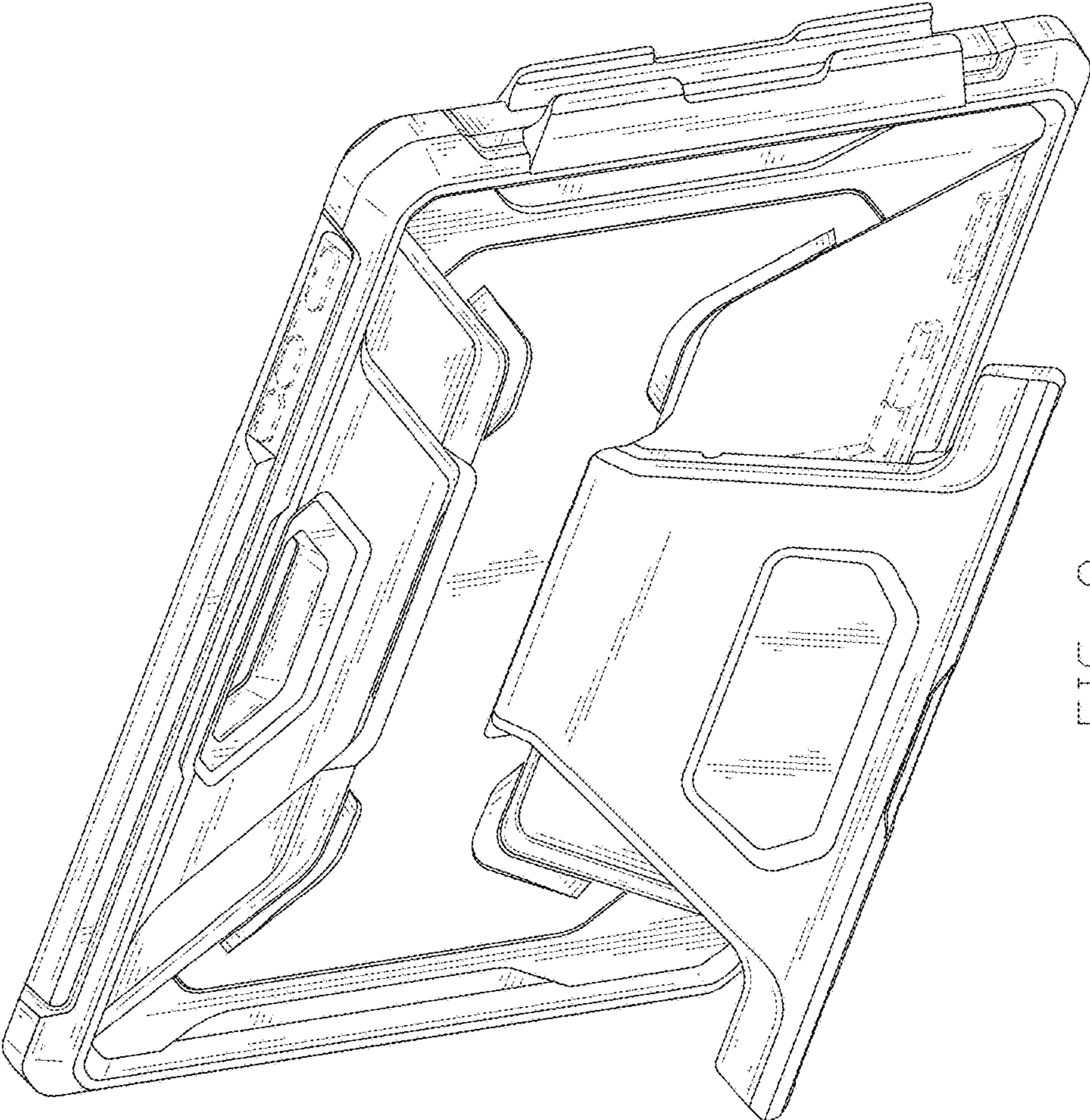


FIG. 9