



US00D868786S

(12) **United States Design Patent** (10) **Patent No.:** **US D868,786 S**  
**Fook** (45) **Date of Patent:** **\*\* Dec. 3, 2019**

(54) **DESKTOP SCANNER** 2215/00189; B65H 2215/00194; B65H 2215/00198; B65H 2215/00202; B65H 2215/00206; B65H 2215/20; B65H 2301/00; B65H 2220/04; B65H 3/5261  
 (71) Applicant: **Lee Seng Fook**, Singapore (SG)  
 (72) Inventor: **Lee Seng Fook**, Singapore (SG) See application file for complete search history.

(\*\*) Term: **15 Years**

(21) Appl. No.: **29/628,870**

(22) Filed: **Dec. 8, 2017**

(51) **LOC (12) Cl.** ..... **14-02**

(52) **U.S. Cl.**

USPC ..... **D14/425**; D14/424; D14/420

(58) **Field of Classification Search**

USPC .... D14/421–425, 453, 464; D18/55, 49, 46, D18/40, 36–39, 41, 44, 45, 47, 48, 50–54, D18/56; 235/462, 455, 470, 462.43, 482, 235/483; 358/474, 486, 488, 496, 497, 358/498, 452, 449, 451, 453, 1.13, 494; 318/685, 696; 355/81, 75, 72, 40; 399/405, 367, 379, 380; 382/217; 715/209, 222, 226, 274; 400/613, 400/613.1–613.4, 690.1–690.4, 691–694; D16/200–204, 208, 210, 214, 221, 225, D16/229

CPC ..... H04N 1/00; H04N 1/12; H04N 1/00013; H04N 1/00015; H04N 1/00018; H04N 1/00026; H04N 1/00557; H04N 1/00564; H04N 1/00567; H04N 1/0057; H04N 1/00572; H04N 1/00586; H04N 1/00588; H04N 1/00591; H04N 1/00594; H04N 1/00596; H04N 1/00604; H04N 1/00519; H04N 1/00559; H04N 1/101; H04N 1/10; H04N 1/00551; H04N 1/00278; H04N 2201/0456; H04N 2201/0446; H04N 2201/00; H04N 2201/0094; G03G 15/0142; G03G 15/605; G03G 15/602; B65H 5/26; B65H 5/30; B65H 5/36; B65H 7/00; B65H 2402/515; B65H 2402/31; B65H 2511/20; B65H 2511/414; B65H 2513/42; B65H 2801/31; B65H

(56) **References Cited**

U.S. PATENT DOCUMENTS

D151,855 S \* 11/1948 Nitardy ..... D26/65  
 D215,480 S \* 10/1969 Froelich ..... D26/65  
 4,234,150 A \* 11/1980 Mee et al. .... 248/281.11  
 D275,431 S \* 9/1984 Usah ..... D14/452  
 D278,461 S \* 4/1985 Pepall ..... D24/210  
 4,595,970 A \* 6/1986 Diffrient ..... 362/287

(Continued)

*Primary Examiner* — Susan Moon Lee

(74) *Attorney, Agent, or Firm* — Muncy, Geissler, Olds & Lowe, P.C.

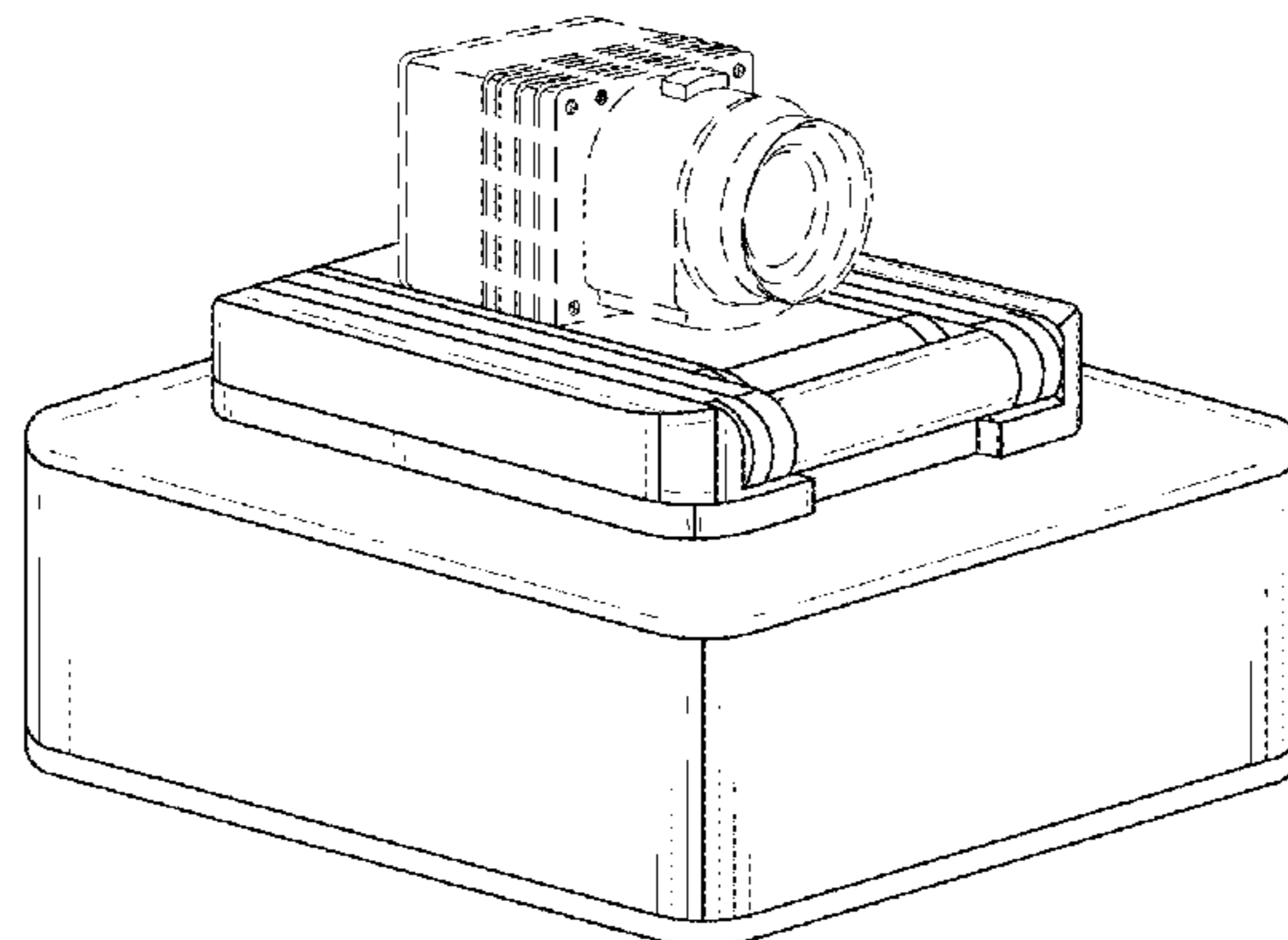
(57) **CLAIM**

I claim the ornamental design for a desktop scanner, as shown and described.

**DESCRIPTION**

FIG. 1 is a perspective view of a desktop scanner in accordance with my new design, shown in a closed position; FIG. 2 is a perspective view of the desktop scanner, shown in an open position; FIG. 3 is a left side view thereof; FIG. 4 is a right side view thereof; FIG. 5 is a front view thereof; FIG. 6 is a back view thereof; FIG. 7 is a top view of the desktop scanner in a closed position; and, FIG. 8 is a bottom view thereof. The broken lines depict unclaimed features of the desktop scanner that form no part of the design claim but are included for illustrative purposes.

**1 Claim, 8 Drawing Sheets**



(56)

## References Cited

## U.S. PATENT DOCUMENTS

- D290,884 S \* 7/1987 Sano et al. .... D26/65  
 4,695,024 A \* 9/1987 Haven ..... 248/281.11  
 D292,264 S \* 10/1987 Staufenberg et al. .... D8/380  
 D293,135 S \* 12/1987 Medema et al. .... D26/61  
 D297,372 S \* 8/1988 Poon ..... D26/44  
 D302,501 S \* 8/1989 Kuba et al. .... D6/491  
 D303,848 S \* 10/1989 Bianchi ..... D26/65  
 D305,904 S \* 2/1990 Matsumoto ..... D16/232  
 4,977,489 A \* 12/1990 Fung ..... 362/184  
 D315,804 S \* 3/1991 Von Klier ..... D26/65  
 D316,455 S \* 4/1991 Krol ..... D26/44  
 5,037,053 A \* 8/1991 Fox et al. .... 248/280.11  
 D323,717 S \* 2/1992 Fung ..... D26/44  
 D326,092 S \* 5/1992 Kikuchi et al. .... D14/138 G  
 D327,134 S \* 6/1992 Ching ..... D26/65  
 D327,334 S \* 6/1992 Parker ..... D26/65  
 D329,098 S \* 9/1992 Lu ..... D26/62  
 D337,843 S \* 7/1993 Huang ..... D26/65  
 D345,810 S \* 4/1994 Yuen ..... D26/44  
 D350,620 S \* 9/1994 Yuen ..... D26/65  
 D351,678 S \* 10/1994 Chen ..... D26/65  
 D366,337 S \* 1/1996 Yuen ..... D26/44  
 D374,100 S \* 9/1996 Chen ..... D26/60  
 D376,586 S \* 12/1996 Shinano ..... D14/423  
 D382,362 S \* 8/1997 Huang ..... D26/65  
 D386,273 S \* 11/1997 Yan ..... D26/63  
 D388,404 S \* 12/1997 Kinnunen et al. .... D14/423  
 D391,243 S \* 2/1998 Rosen ..... D14/452  
 D394,668 S \* 5/1998 Iino ..... D16/202  
 D399,192 S \* 10/1998 Hasegawa ..... D14/423  
 D401,954 S \* 12/1998 Oh et al. .... D16/232  
 D402,385 S \* 12/1998 Chen ..... D26/65  
 D405,205 S \* 2/1999 Huang ..... D26/63  
 5,871,274 A \* 2/1999 Lee et al. .... 362/413  
 D408,567 S \* 4/1999 Coe ..... D26/60  
 5,978,028 A \* 11/1999 Yamane ..... 348/373  
 D419,710 S \* 1/2000 Huang ..... D26/63  
 6,022,119 A \* 2/2000 Booty, Jr. .... 362/98  
 D428,179 S \* 7/2000 Huang ..... D26/65  
 D435,677 S \* 12/2000 Hollinger ..... D26/60  
 D435,852 S \* 1/2001 Oddsen, Jr. .... D14/452  
 6,168,292 B1 \* 1/2001 Sherman ..... 362/287  
 D441,476 S \* 5/2001 Mendelsohn et al. .... D26/63  
 D455,949 S \* 4/2002 Huang ..... D8/373  
 D459,514 S \* 6/2002 Mier-Langner et al. .... D26/63  
 6,478,275 B1 \* 11/2002 Huang ..... 248/284.1  
 6,496,244 B2 \* 12/2002 Tseng et al. .... 355/21  
 D469,201 S \* 1/2003 De Bevilacqua ..... D26/65  
 D470,874 S \* 2/2003 Chiu ..... D16/202  
 D473,207 S \* 4/2003 Tanio ..... D14/168  
 D478,923 S \* 8/2003 Han ..... D16/202  
 6,609,691 B2 \* 8/2003 Oddsen, Jr. .... 248/278.1  
 D486,829 S \* 2/2004 Wang et al. .... D14/480.5  
 6,736,531 B2 \* 5/2004 Wallach ..... 362/414  
 D490,926 S \* 6/2004 Katsura et al. .... D26/63  
 D495,082 S \* 8/2004 Marchand ..... D26/65  
 D498,551 S \* 11/2004 Chan ..... D26/37  
 D507,673 S \* 7/2005 Martin ..... D26/60  
 D509,819 S \* 9/2005 Yang ..... D14/203.4  
 6,947,093 B2 \* 9/2005 Yanakawa et al. .... 348/373  
 D510,451 S \* 10/2005 Marchand ..... D26/65  
 6,955,442 B1 \* 10/2005 Chan ..... 362/99  
 D511,770 S \* 11/2005 Chung ..... D14/480.5  
 6,984,054 B2 \* 1/2006 Lai ..... 362/199  
 D520,511 S \* 5/2006 Piazza et al. .... D14/452  
 D522,158 S \* 5/2006 Lovegrove ..... D26/61  
 D523,164 S \* 6/2006 Ng ..... D26/65  
 D523,984 S \* 6/2006 Cai ..... D26/61  
 7,066,753 B1 \* 6/2006 Tseng ..... 439/259  
 D526,331 S \* 8/2006 Lee ..... D14/203.7  
 D526,433 S \* 8/2006 Li ..... D26/60  
 D534,938 S \* 1/2007 Beasley et al. .... D16/208  
 D542,455 S \* 5/2007 Newcomb ..... D26/60  
 D542,457 S \* 5/2007 Fisherman et al. .... D26/66  
 D543,304 S \* 5/2007 Chan ..... D26/60  
 D543,553 S \* 5/2007 Langberg et al. .... D14/496  
 D545,343 S \* 6/2007 Braun ..... D16/242  
 7,245,441 B2 \* 7/2007 Wu et al. .... 359/676  
 D555,272 S \* 11/2007 Iai et al. .... D26/62  
 D556,195 S \* 11/2007 Lin ..... D14/480.3  
 D558,787 S \* 1/2008 Yu et al. .... D14/496  
 D563,014 S \* 2/2008 Levine ..... D26/63  
 D563,583 S \* 3/2008 Iai et al. .... D26/65  
 D564,559 S \* 3/2008 Stephens et al. .... D16/208  
 D567,431 S \* 4/2008 Garner et al. .... D26/107  
 D568,520 S \* 5/2008 Castellucci et al. .... D26/65  
 D571,032 S \* 6/2008 Chen ..... D26/61  
 7,396,140 B2 \* 7/2008 Cai ..... 362/167  
 D580,578 S \* 11/2008 Chien ..... D26/63  
 D581,077 S \* 11/2008 Levine ..... D26/62  
 D581,570 S \* 11/2008 Levine ..... D26/62  
 D582,418 S \* 12/2008 Kim et al. .... D14/435.1  
 D590,532 S \* 4/2009 Levine ..... D26/60  
 D590,977 S \* 4/2009 Mullen ..... D26/62  
 D591,751 S \* 5/2009 Ku ..... D14/435  
 D596,776 S \* 7/2009 Hodgson ..... D26/63  
 D601,288 S \* 9/2009 Thomson et al. .... D26/63  
 7,591,572 B1 \* 9/2009 Levine ..... 362/427  
 D602,063 S \* 10/2009 Su ..... D16/232  
 D602,970 S \* 10/2009 Lee ..... D16/232  
 D603,409 S \* 11/2009 Ishida ..... D14/435  
 D603,995 S \* 11/2009 Wei et al. .... D26/65  
 D604,261 S \* 11/2009 Tsai et al. .... D14/138 G  
 D604,883 S \* 11/2009 Park ..... D26/65  
 D606,693 S \* 12/2009 Waldmann ..... D26/65  
 D607,482 S \* 1/2010 Inoue ..... D14/423  
 D647,906 S \* 11/2011 Shen ..... D14/423  
 D667,042 S \* 9/2012 Shen ..... D14/423  
 D677,707 S \* 3/2013 Shen ..... D16/232  
 D821,403 S \* 6/2018 Howell ..... D14/424  
 D854,598 S \* 7/2019 Hsieh ..... D16/214  
 2002/0106137 A1 \* 8/2002 Chen et al. .... 382/321  
 2003/0080269 A1 \* 5/2003 Oddsen, Jr. .... 248/274.1  
 2006/0050519 A1 \* 3/2006 Lin ..... 362/413  
 2006/0072328 A1 \* 4/2006 Chan ..... 362/382  
 2007/0097689 A1 \* 5/2007 Barausky et al. .... 362/287  
 2009/0040774 A1 \* 2/2009 Avila et al. .... 362/371

\* cited by examiner

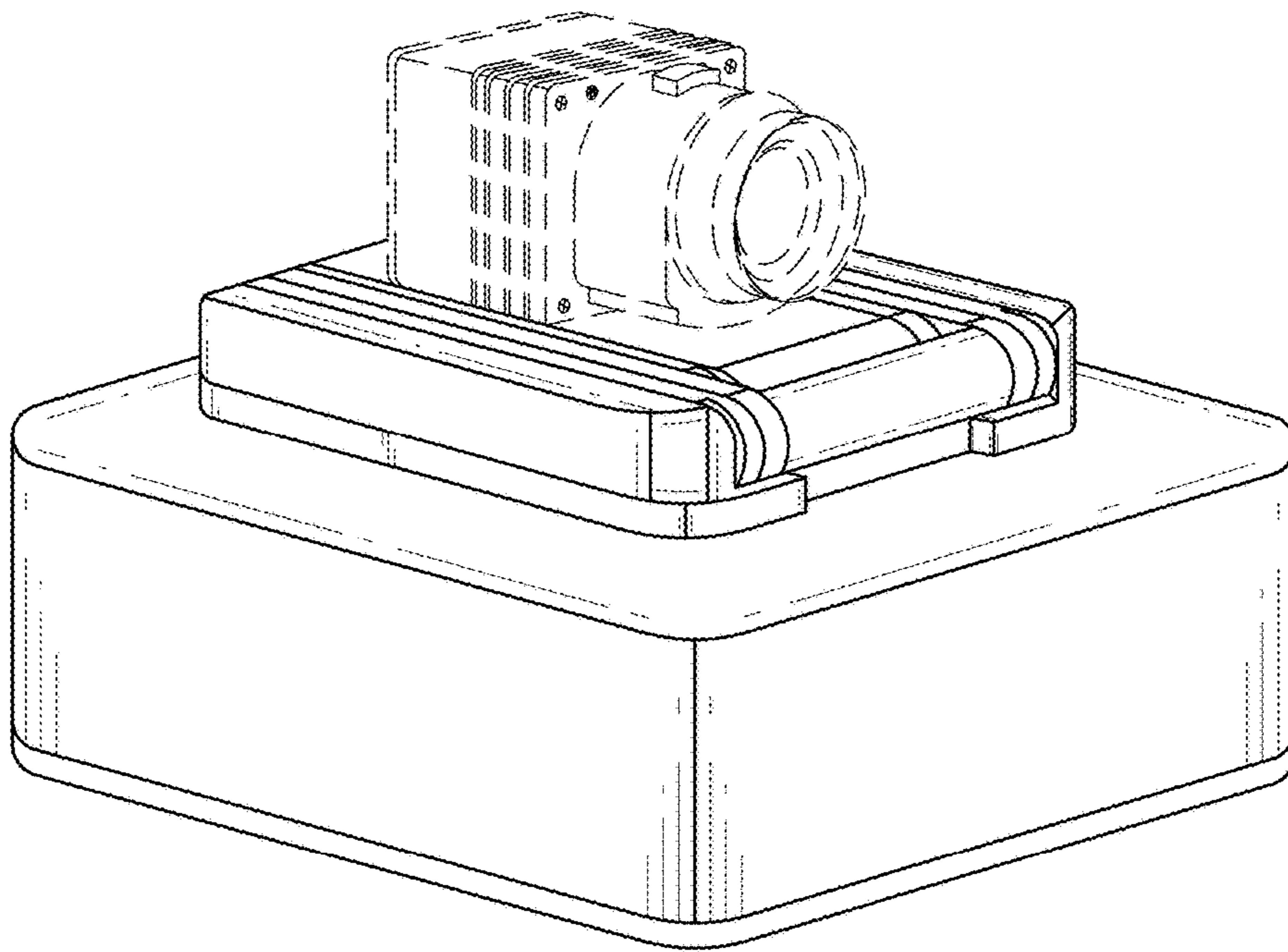


FIG. 1

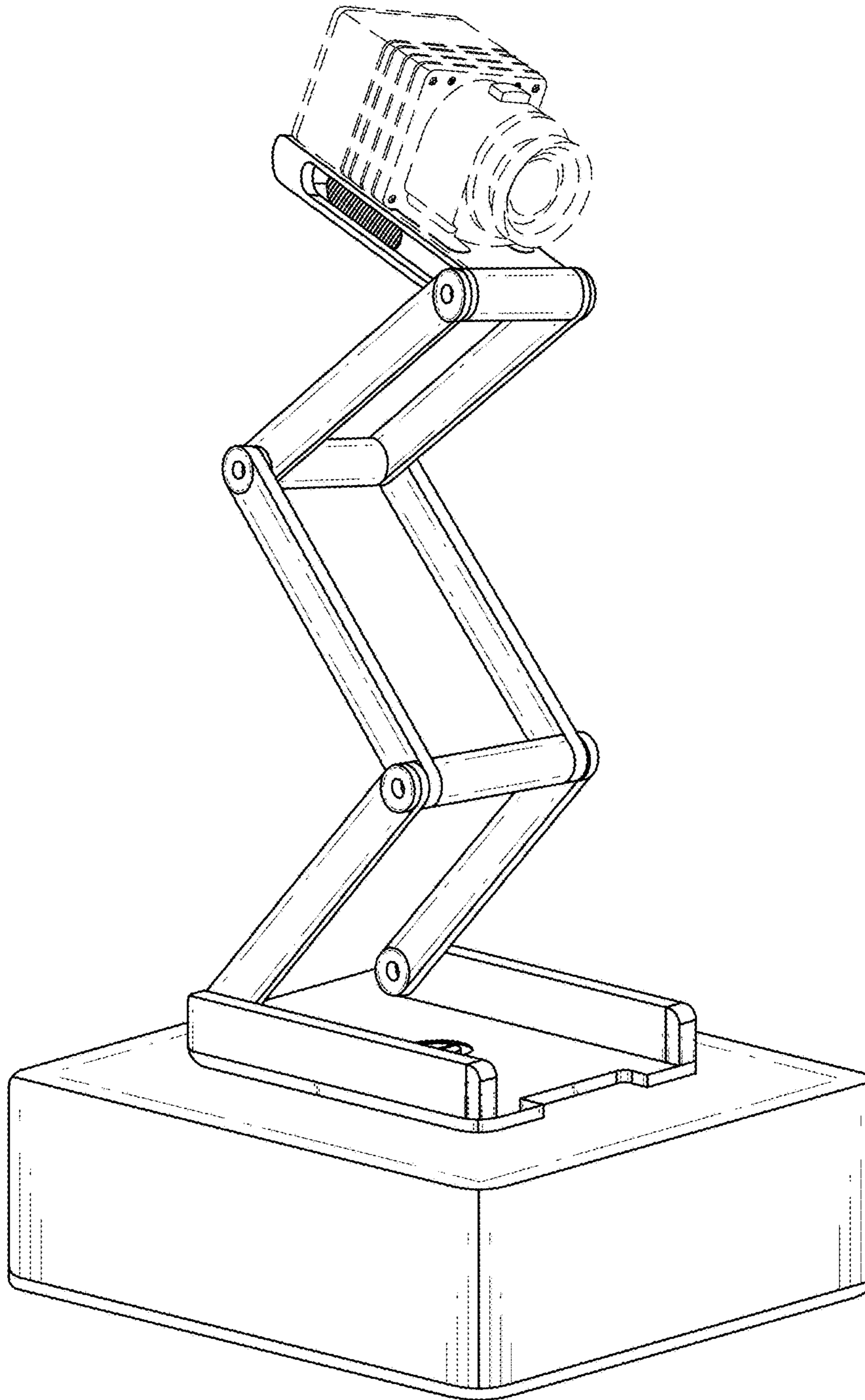


FIG. 2

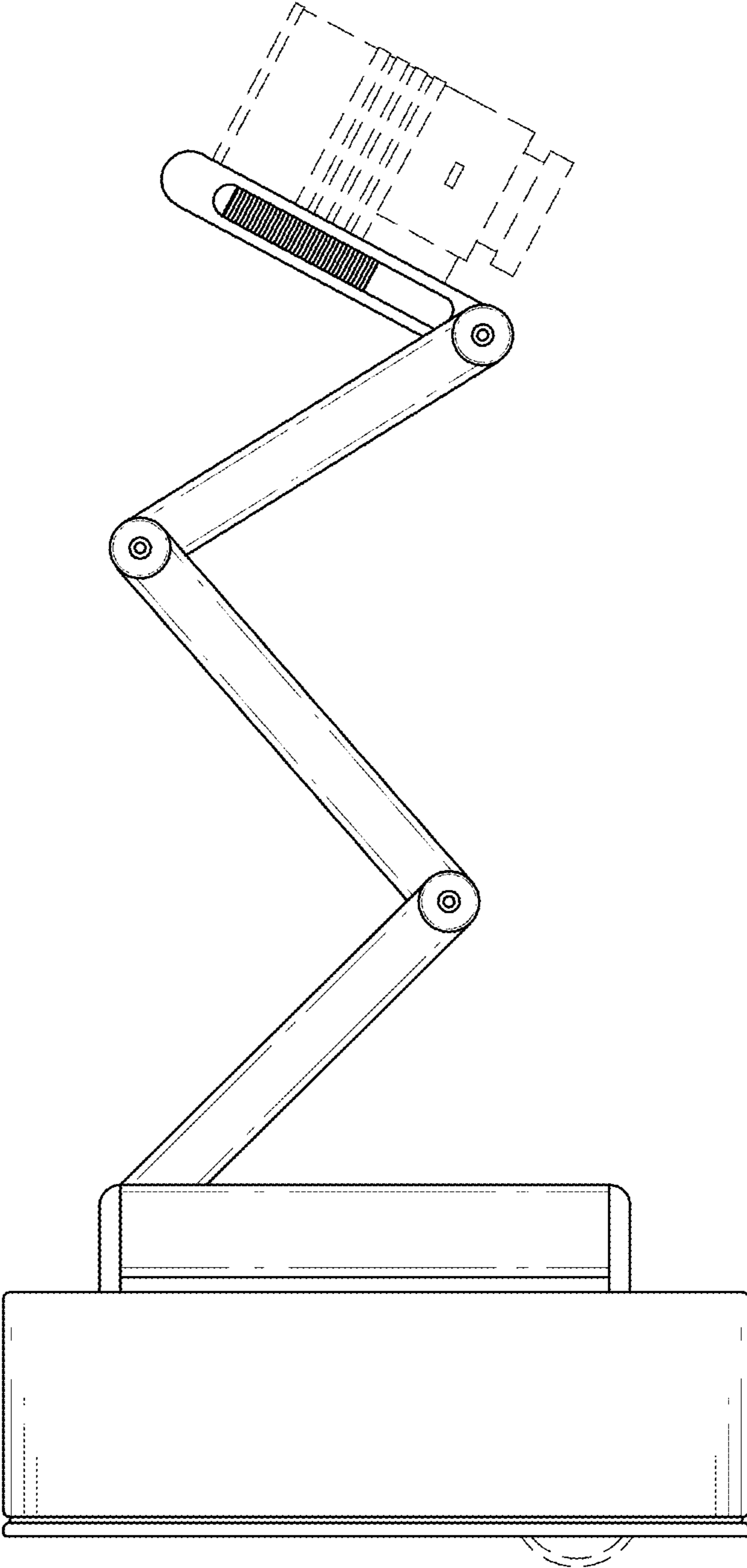


FIG. 3

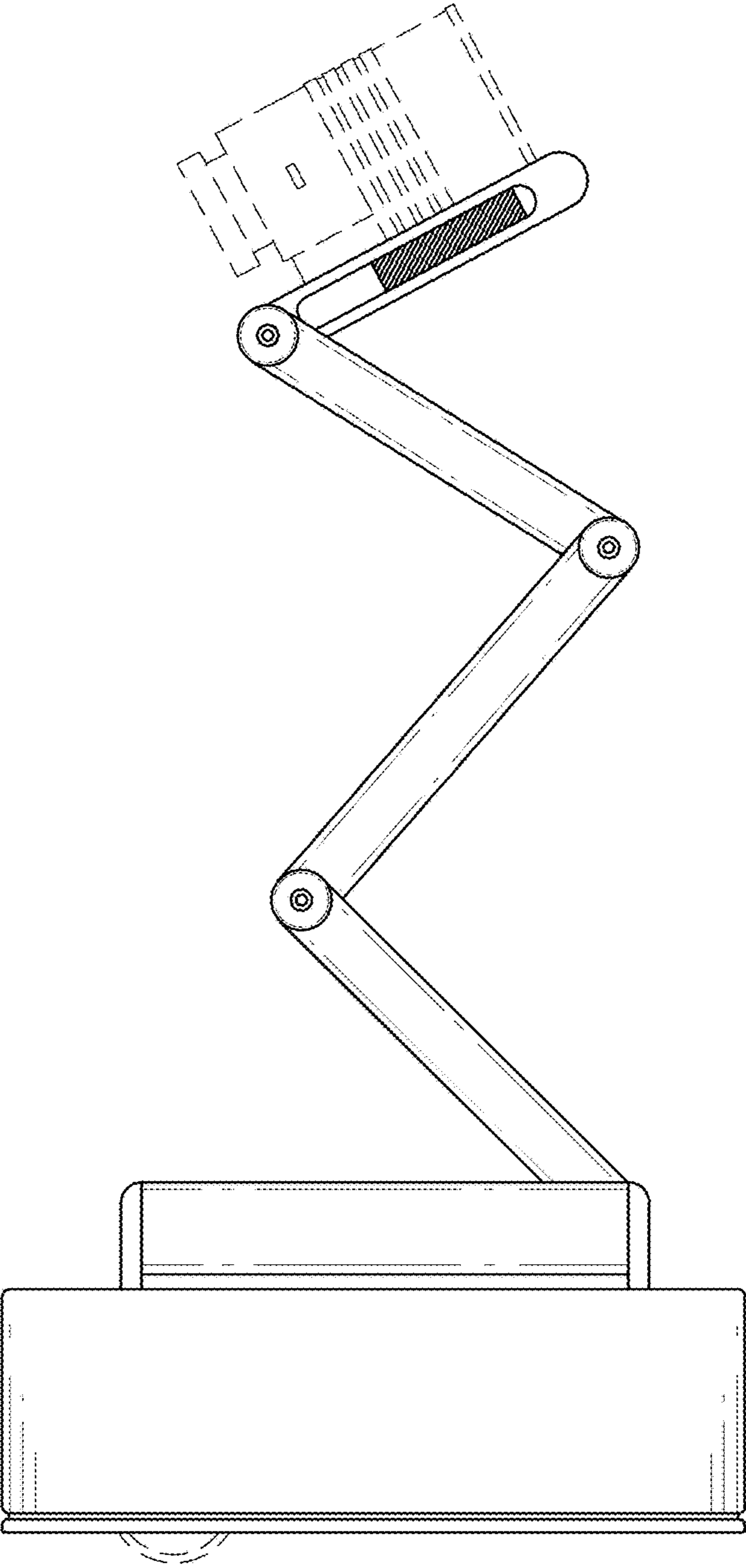


FIG. 4

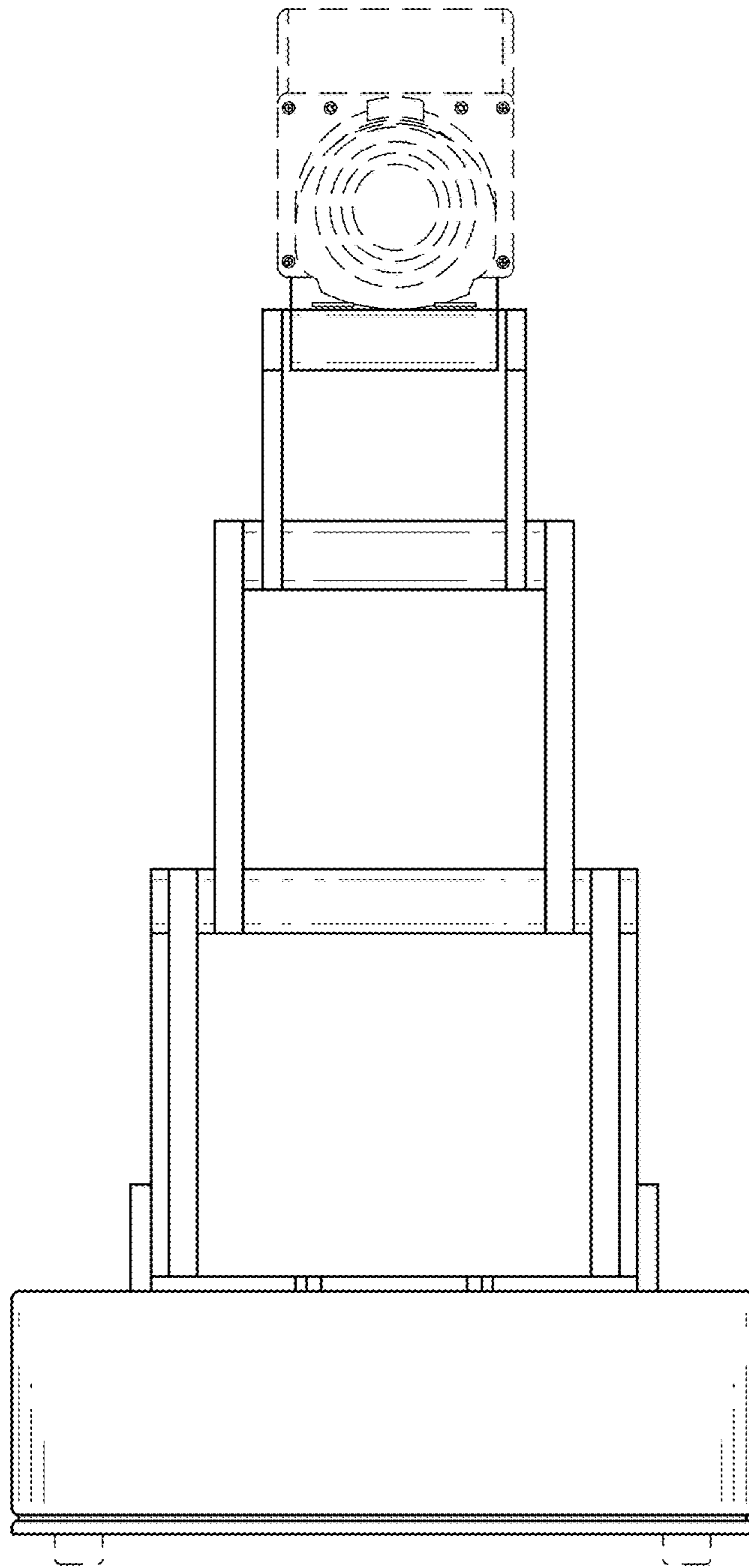


FIG. 5

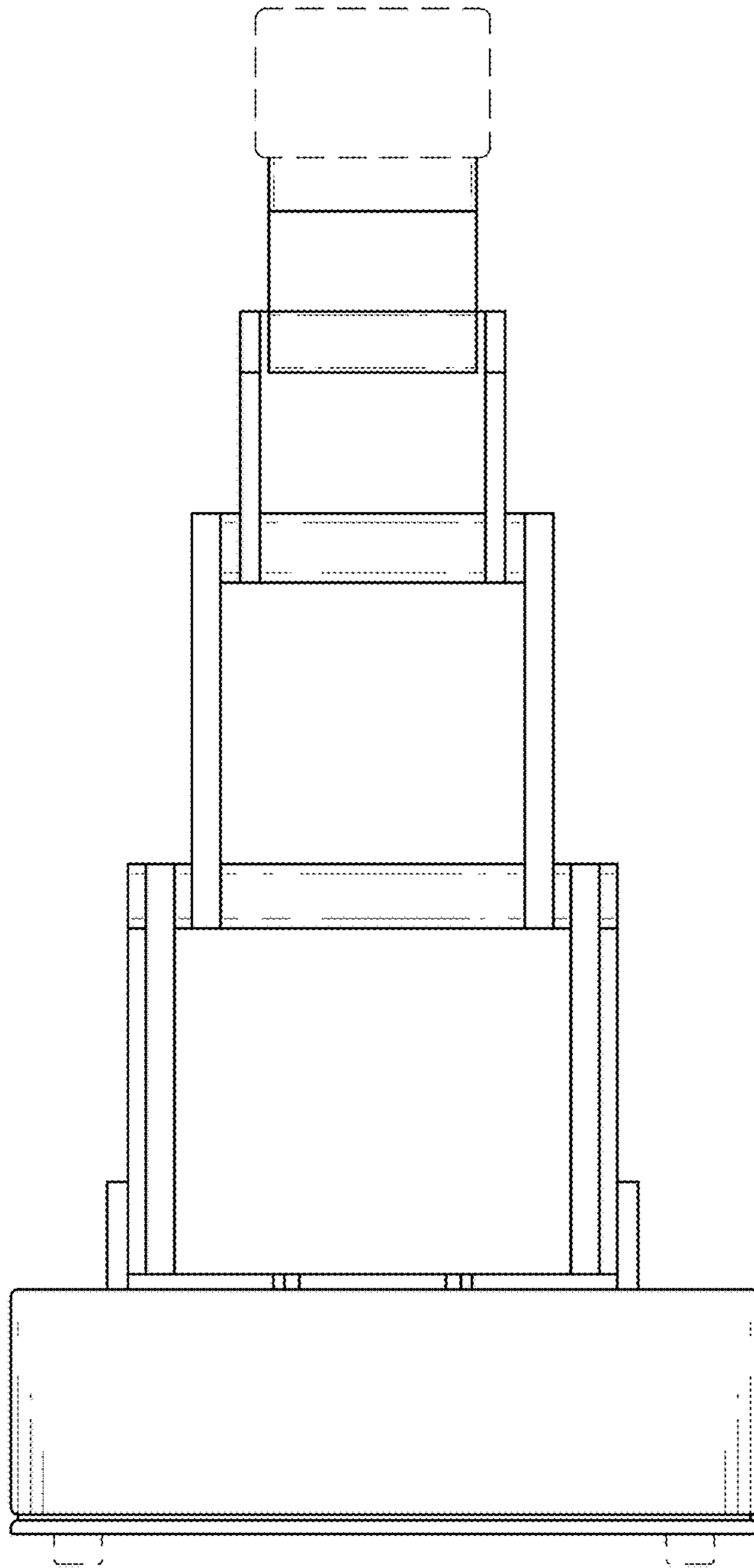


FIG. 6



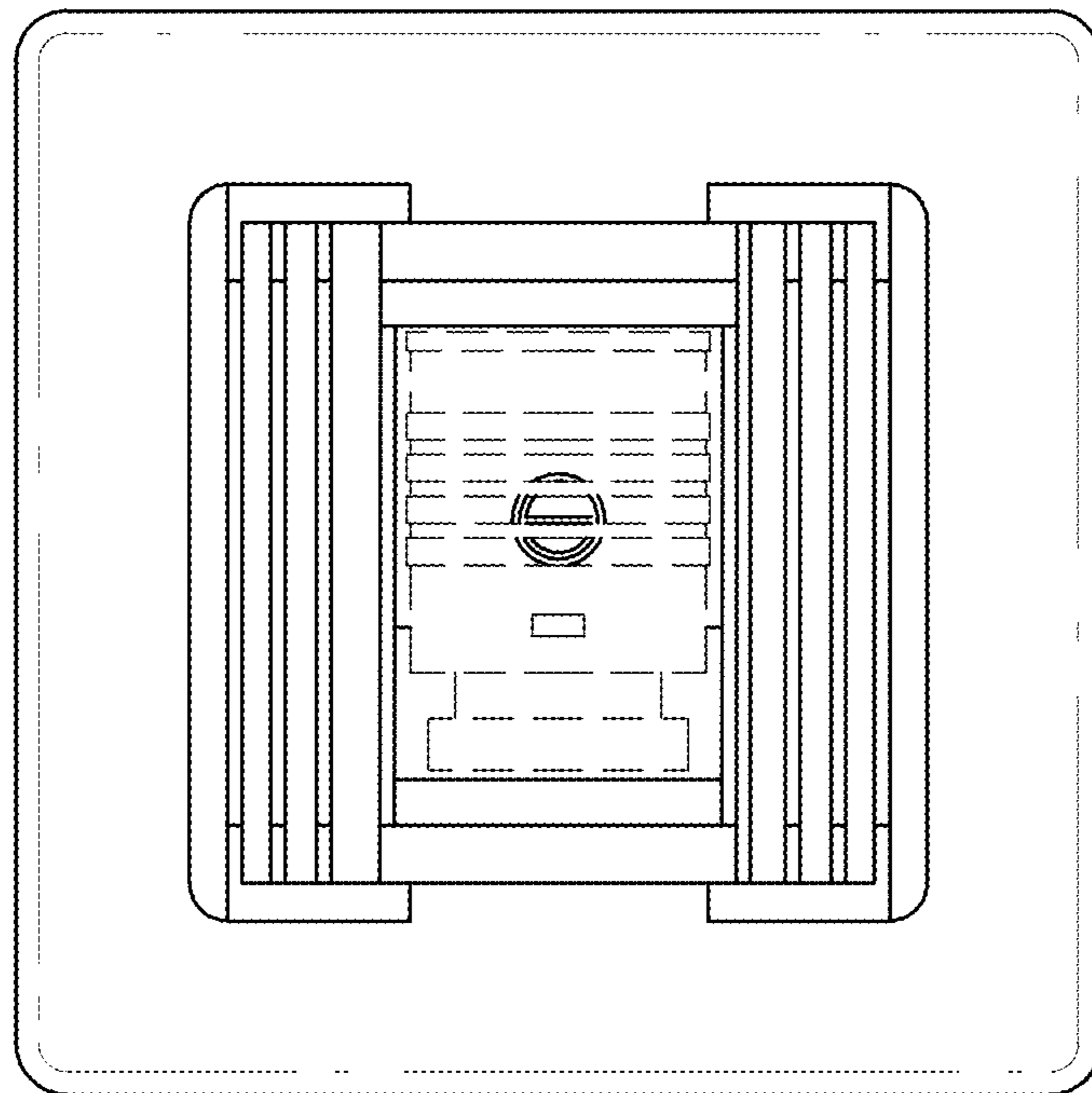


FIG. 7

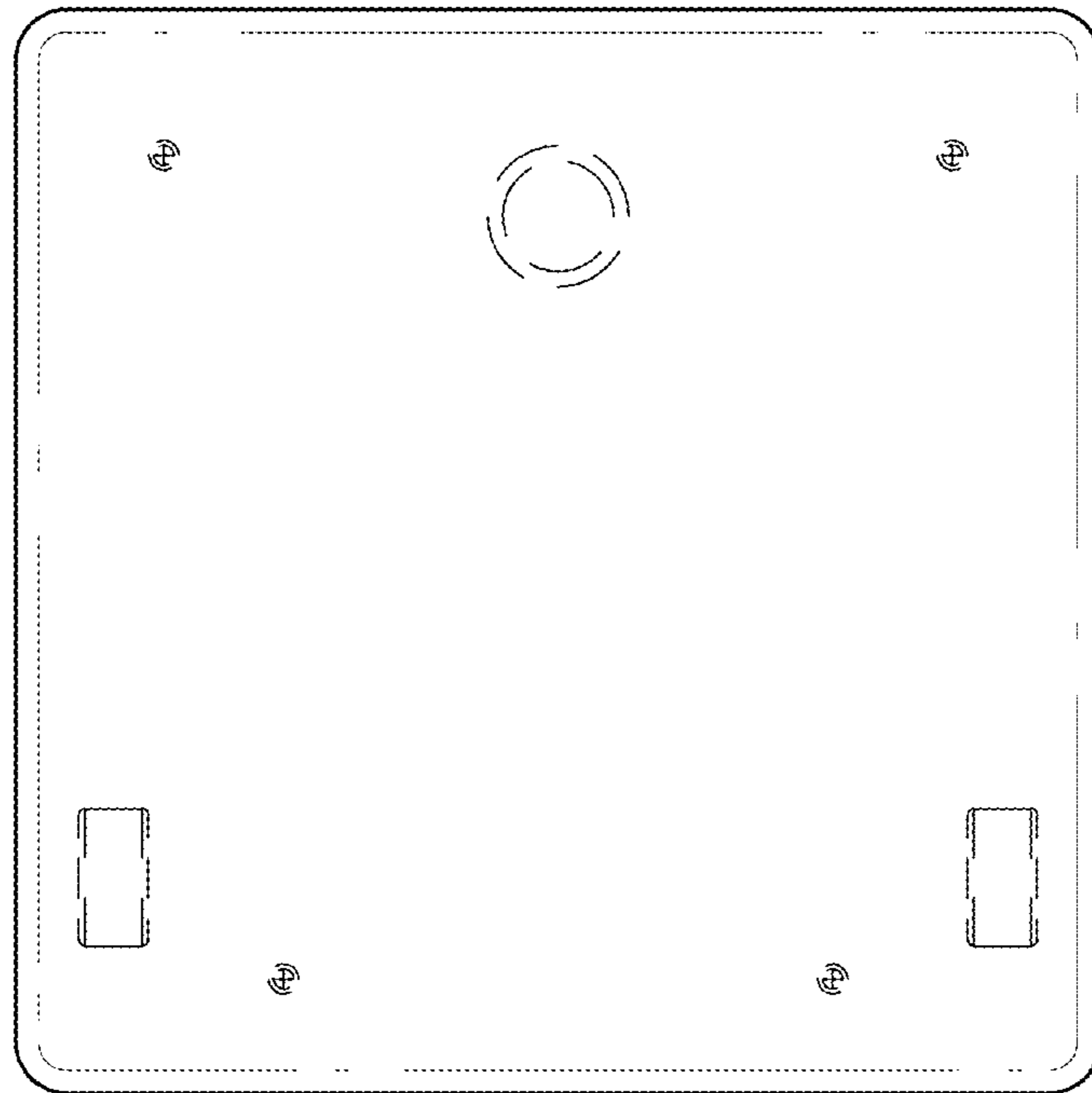


FIG. 8