



US00D868783S

(12) **United States Design Patent** (10) **Patent No.:** **US D868,783 S**  
**Hoffart** (45) **Date of Patent:** **\*\* Dec. 3, 2019**

(54) **HANDS-FREE DEVICE FOR VIEWING A SMART PHONE**

D856,330 S \* 8/2019 Wei ..... D14/372  
D859,403 S \* 9/2019 Reed ..... D14/372  
2004/0180691 A1 9/2004 Cascone

(71) Applicant: **Steven D. Hoffart**, Omaha, NE (US)

FOREIGN PATENT DOCUMENTS

(72) Inventor: **Steven D. Hoffart**, Omaha, NE (US)

DE 202013000740 U1 4/2013  
DE 202014106178 U1 5/2016  
EP 2103862 A2 9/2009  
KR 20160003099 U 9/2016

(\*\*) Term: **15 Years**

\* cited by examiner

(21) Appl. No.: **29/635,942**

(22) Filed: **Feb. 5, 2018**

*Primary Examiner* — Austin Murphy

(51) **LOC (12) Cl.** ..... **14-02**

(74) *Attorney, Agent, or Firm* — Luke Charles Holst;  
McGrath North Mullin & Kratz, PC LLO

(52) **U.S. Cl.**

USPC ..... **D14/372**

(58) **Field of Classification Search**

USPC ..... D14/372, 496, 432, 371, 125, 126, 129,  
D14/299; D16/300–342; 351/158, 153,  
351/144; 345/7–9, 905; 455/344;  
348/115, 53, 121, 739  
CPC ..... G02B 27/017; G02B 27/0158; G02B  
27/0161; G02B 27/0181; G02B 27/0185;  
G02B 27/0189

See application file for complete search history.

(57) **CLAIM**

The ornamental design for a hands-free device for viewing a smart phone, as shown and described.

**DESCRIPTION**

FIG. 1 is a perspective view of a hands-free device for viewing a smart phone showing my new design;  
FIG. 2 is a front elevational view thereof;  
FIG. 3 is a rear elevational view thereof;  
FIG. 4 is a right side elevational view thereof;  
FIG. 5 is a left side elevational view thereof;  
FIG. 6 is a top plan view thereof;  
FIG. 7 is a bottom plan view thereof; and,  
FIG. 8 is a perspective view thereof in an extended condition.

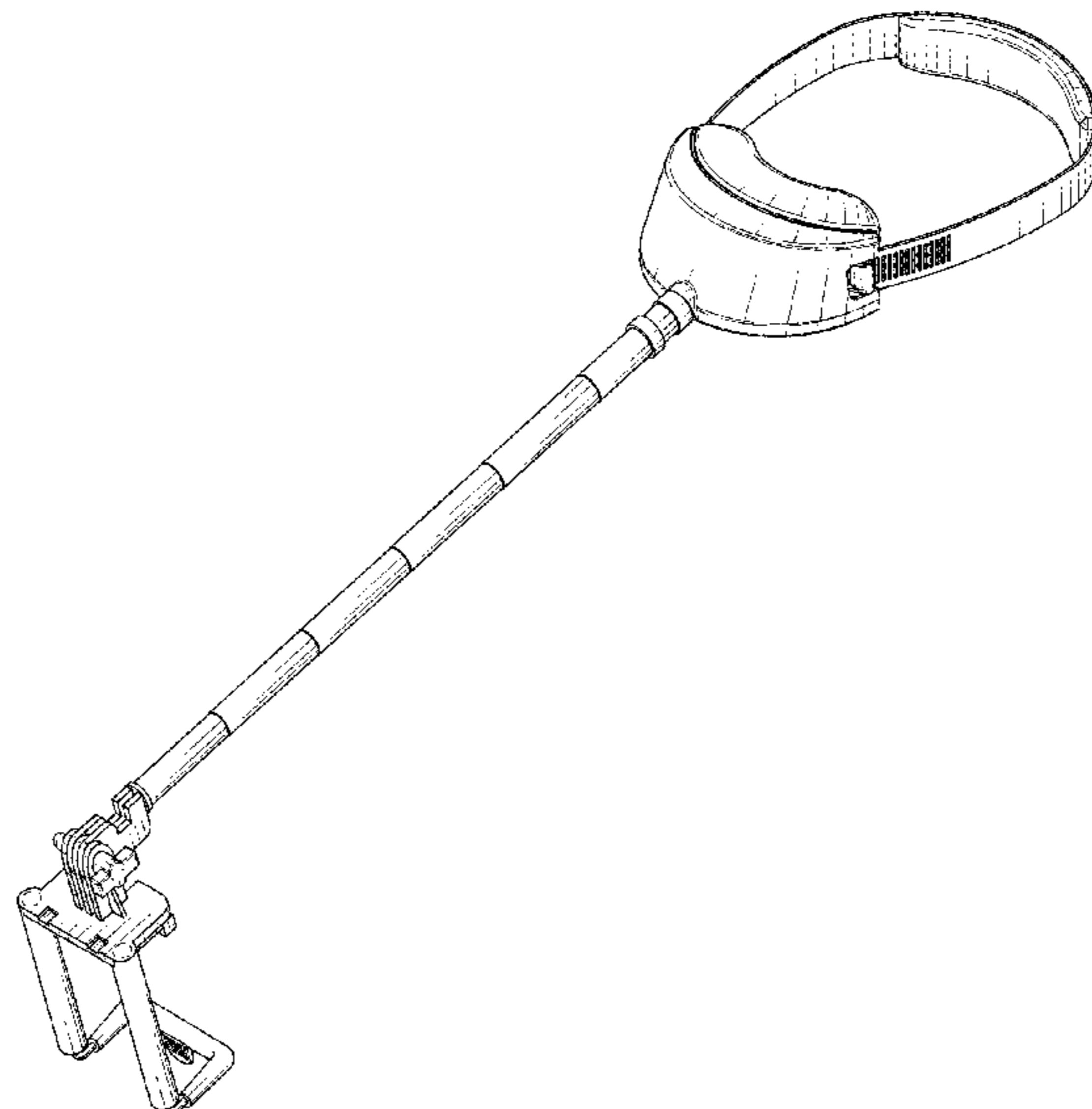
Applicant makes no claim to the structure shown in broken lines in the drawings. Furthermore, Applicant notes that the markings on the figures are for shading purposes only, and are not to be considered a part of the design of the present invention. The Applicant also notes that the claimed subject matter depicted in the drawings is not limited by any description given of the embodiment.

(56) **References Cited**

U.S. PATENT DOCUMENTS

7,684,694 B2 3/2010 Fromm  
9,038,870 B2 5/2015 Johnson  
D810,081 S \* 2/2018 Lin ..... D14/372  
D812,612 S \* 3/2018 Gribetz ..... D14/372  
D825,560 S \* 8/2018 Gribetz ..... D14/372  
D827,642 S \* 9/2018 Liu ..... D14/372  
D836,628 S \* 12/2018 Chen ..... D14/372  
D838,718 S \* 1/2019 Chiang ..... D14/372  
D842,300 S \* 3/2019 Chiang ..... D14/372  
D844,605 S \* 4/2019 Yeh ..... D14/372  
D849,003 S \* 5/2019 Chiang ..... D14/372  
D853,467 S \* 7/2019 Chen ..... D16/312

**1 Claim, 7 Drawing Sheets**



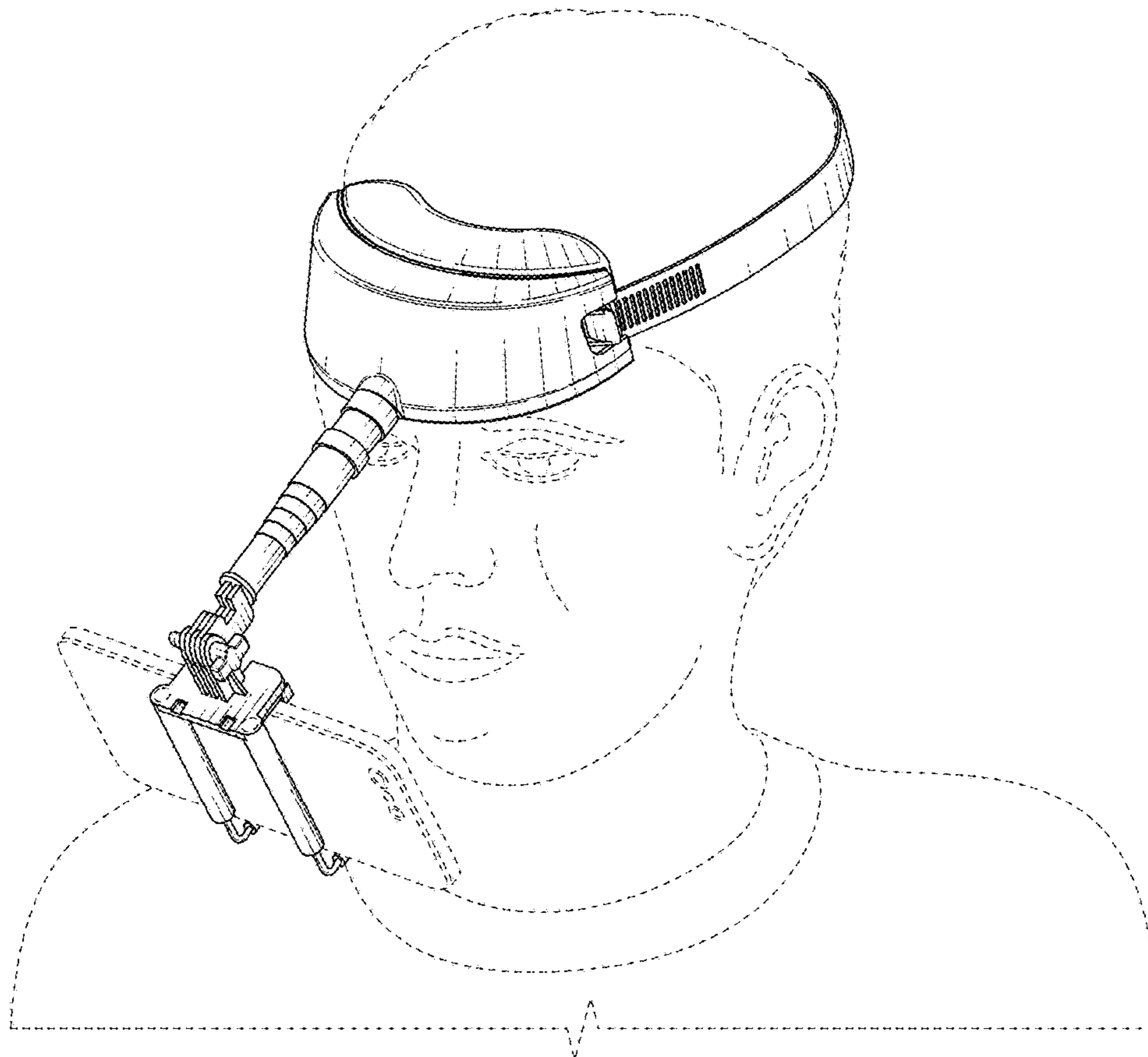


FIG. 1

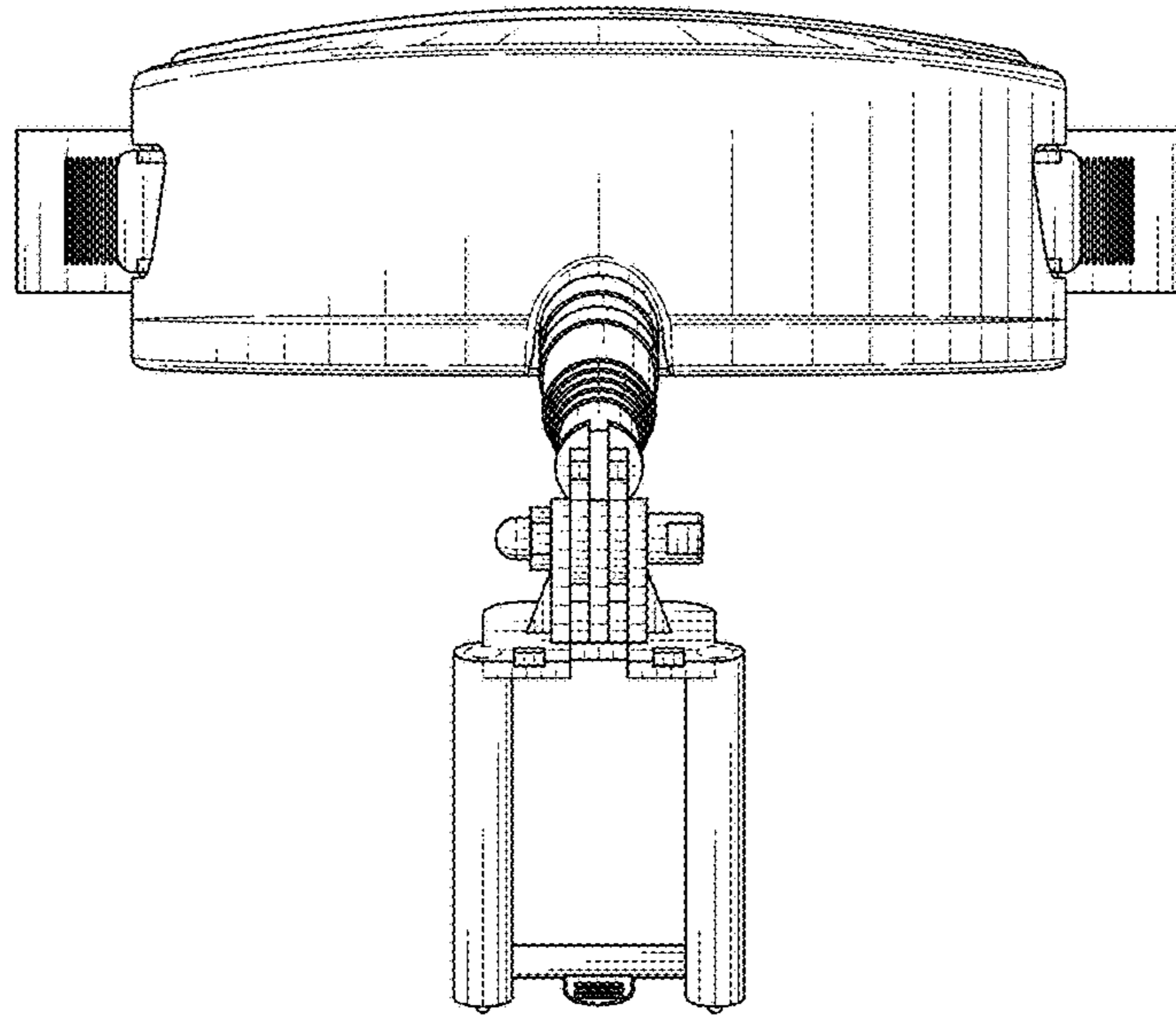


FIG. 2

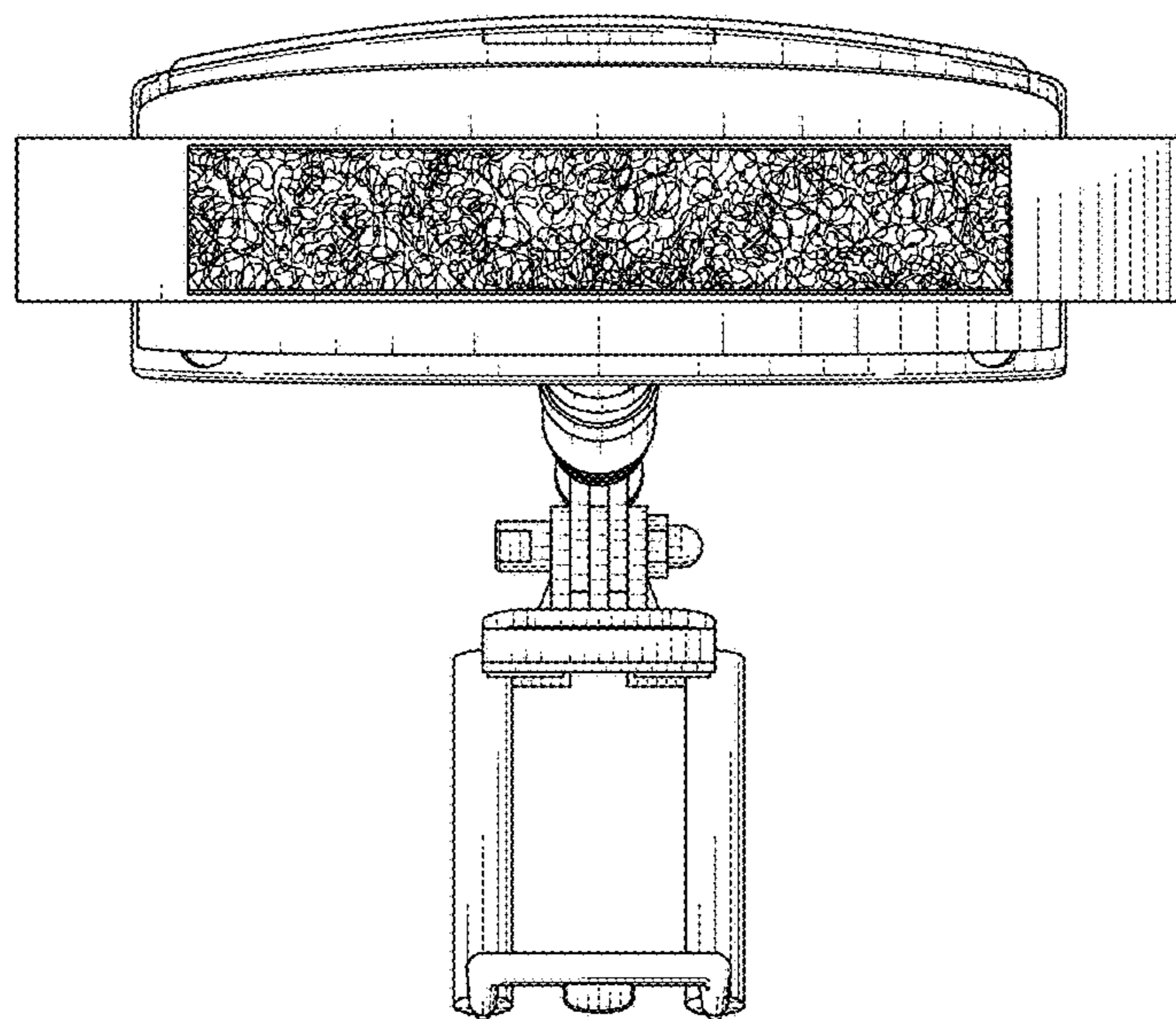


FIG. 3

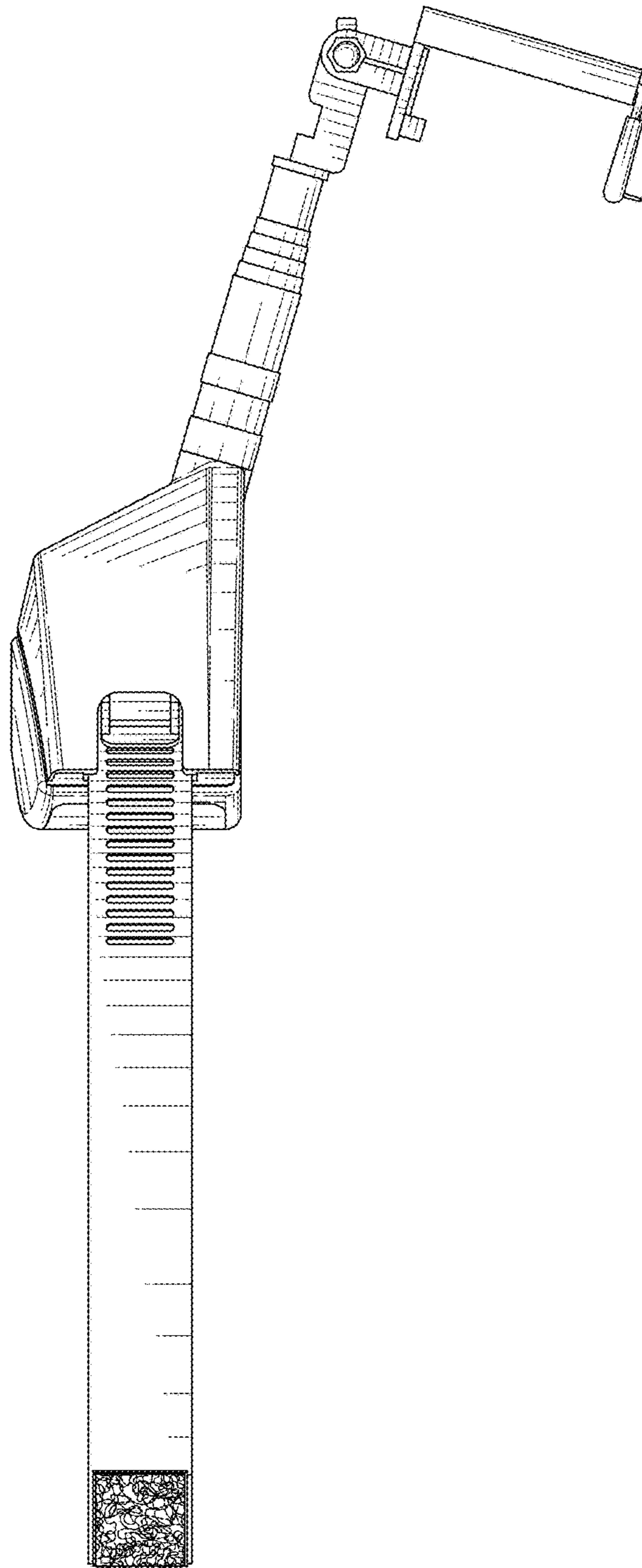


FIG. 4

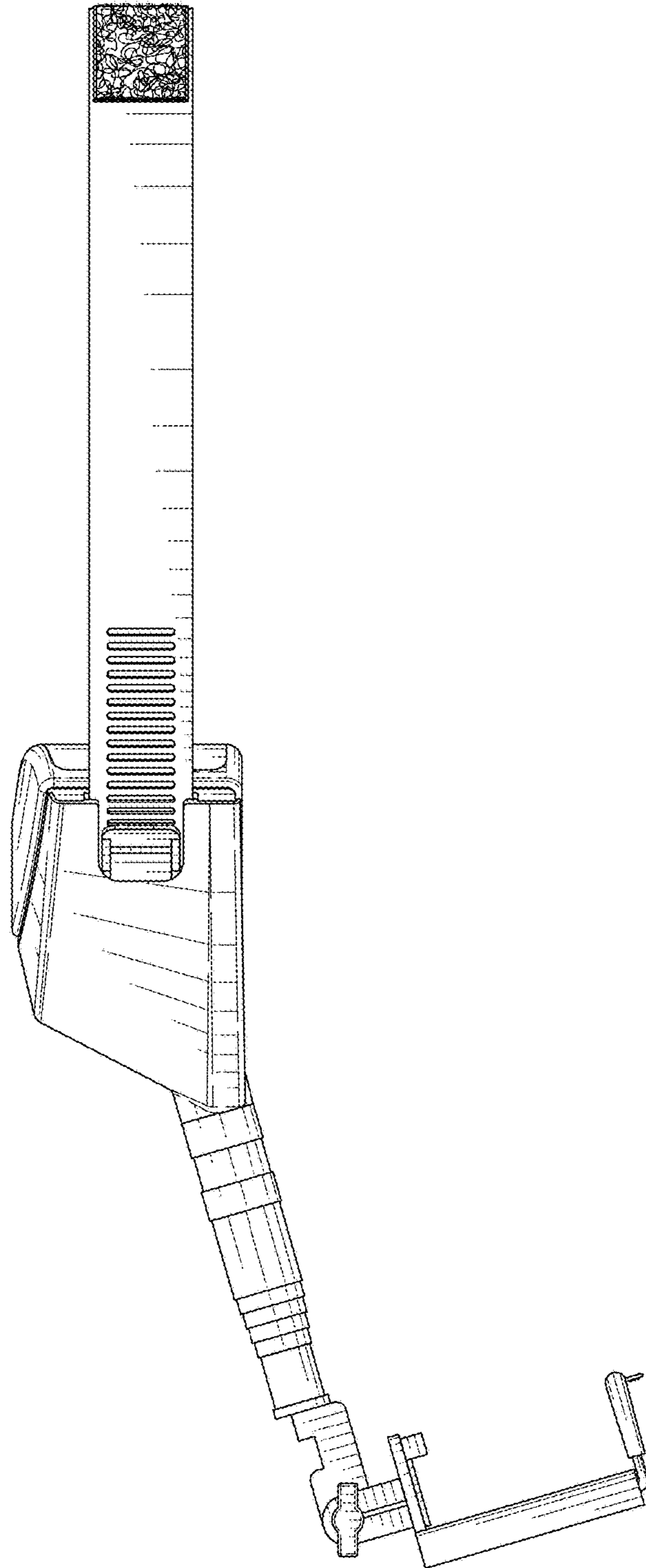


FIG. 5

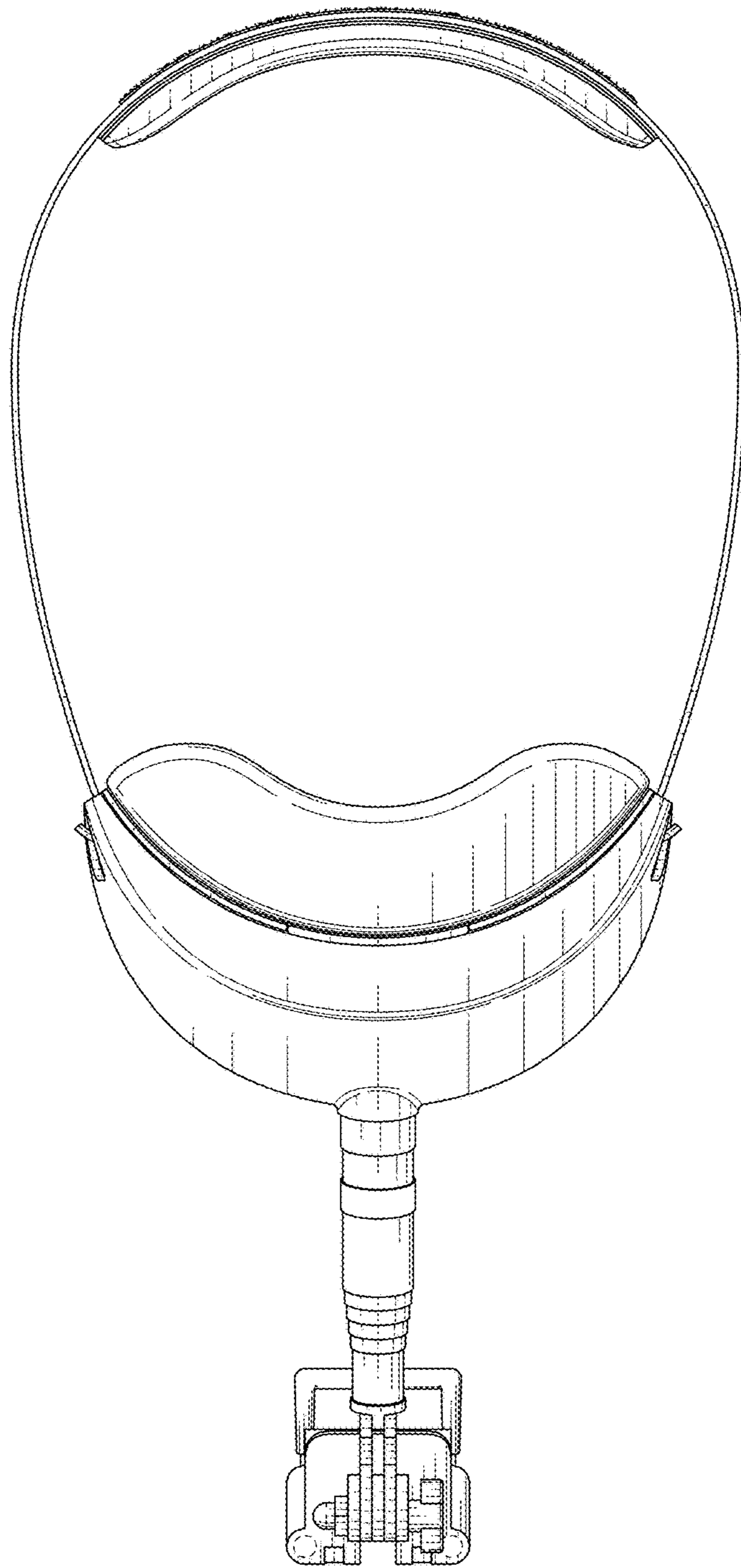


FIG. 6

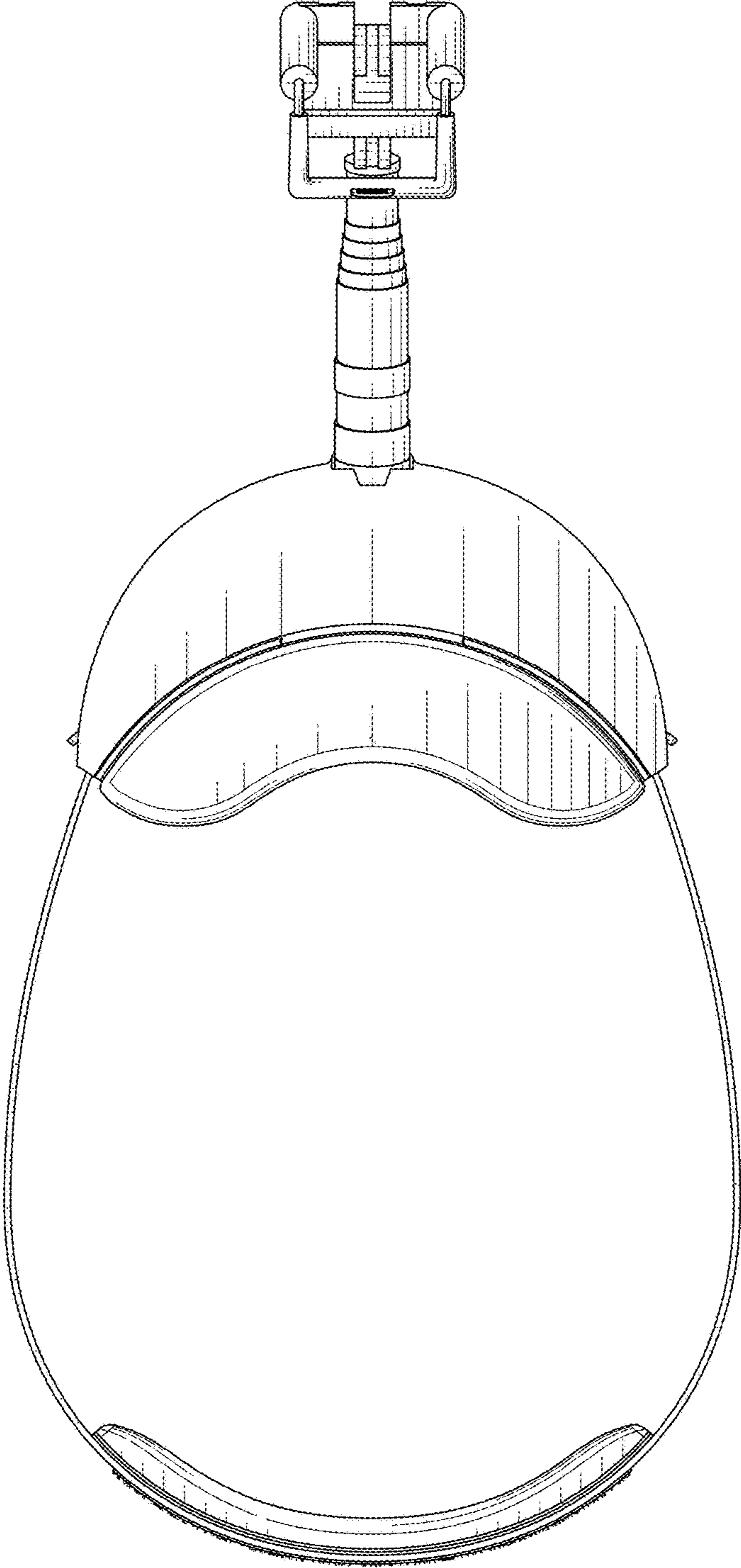


FIG. 7

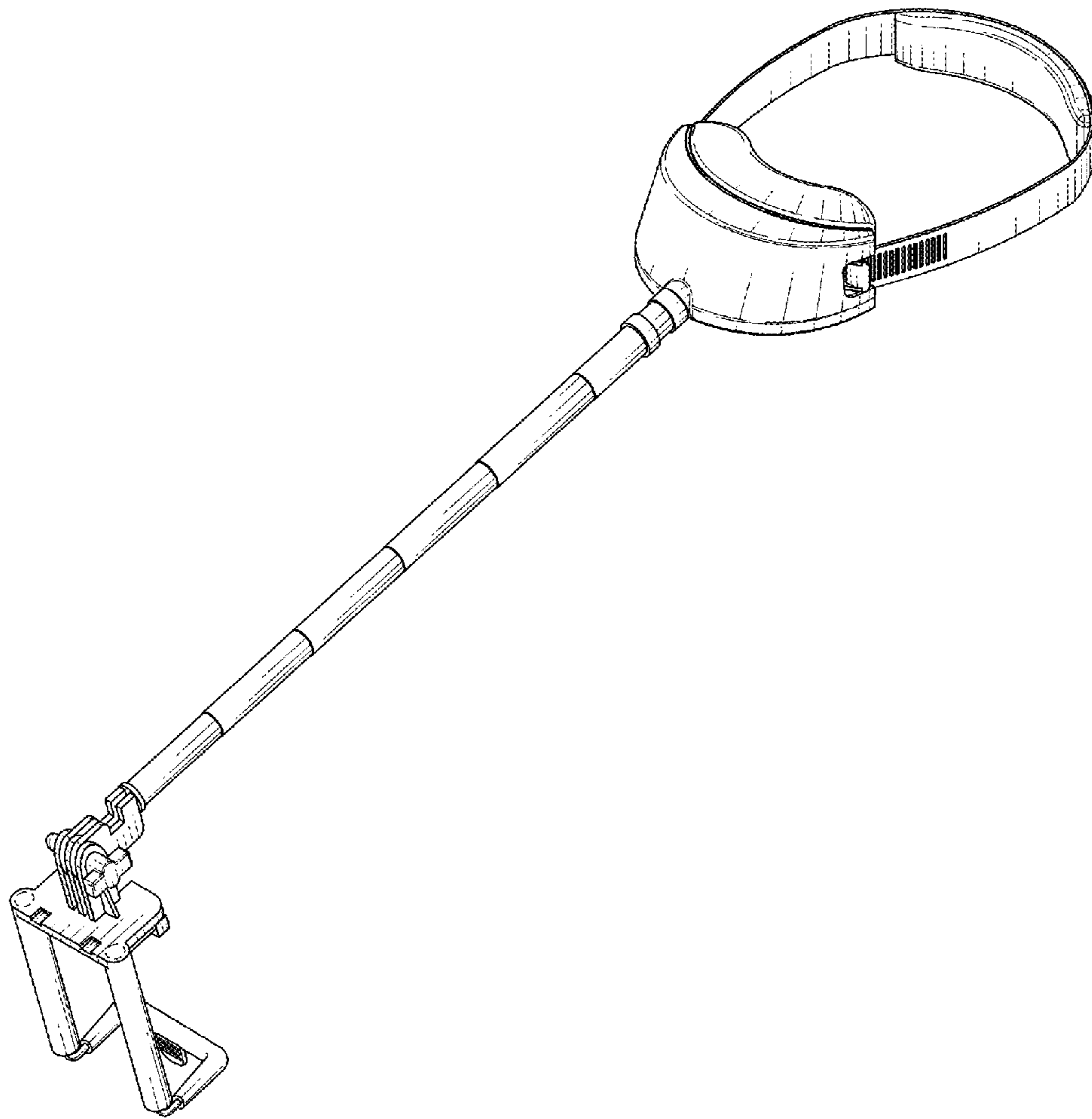


FIG. 8