

US00D868781S

(12) **United States Design Patent** (10) **Patent No.:** **US D868,781 S**
Mao (45) **Date of Patent:** **** *Dec. 3, 2019**

(54) **SMART WATCH**

(71) Applicant: **Yuzhong Mao**, Leshan (CN)

(72) Inventor: **Yuzhong Mao**, Leshan (CN)

(*) Notice: This patent is subject to a terminal disclaimer.

(**) Term: **15 Years**

(21) Appl. No.: **29/701,393**

(22) Filed: **Aug. 12, 2019**

(51) **LOC (12) Cl.** **14-02**

(52) **U.S. Cl.**
USPC **D14/344**

(58) **Field of Classification Search**
USPC D14/344, 138 R, 144, 341, 358, 388;
D10/30-39, 70, 98; D11/3, 4, 26, 93-94,
D11/78.1, 79, 86; D24/167, 169,
D24/186-187, 164
CPC G06F 1/163; G06F 3/014; G04G 21/08;
G04G 15/00; A61B 5/681; H04M 1/7253
See application file for complete search history.

(56) **References Cited**

U.S. PATENT DOCUMENTS

D729,650 S *	5/2015	Phillips	D10/32
D787,960 S *	5/2017	Park	D10/39
D790,374 S *	6/2017	Lean	D10/39
D802,453 S *	11/2017	Page	D10/70
D809,144 S *	1/2018	Wu	D24/167
D815,635 S *	4/2018	Lumme	D14/344

(Continued)

FOREIGN PATENT DOCUMENTS

EM	006358073-0001	*	4/2019
EM	006704623-0001	*	8/2019
EM	006704623-0002	*	8/2019

OTHER PUBLICATIONS

Shinmax Fitness Tracker Bands, announced Jul. 30, 2018 [online], [retrieved Sep. 25, 2019]. Available from Internet, URL: <https://www.amazon.com/Shinmax-Fitness-Tracker-Activity-Monitor/dp/B07F1PVC2R> (Year: 2018).*

(Continued)

Primary Examiner — T Chase Nelson
Assistant Examiner — Dana K Weiland

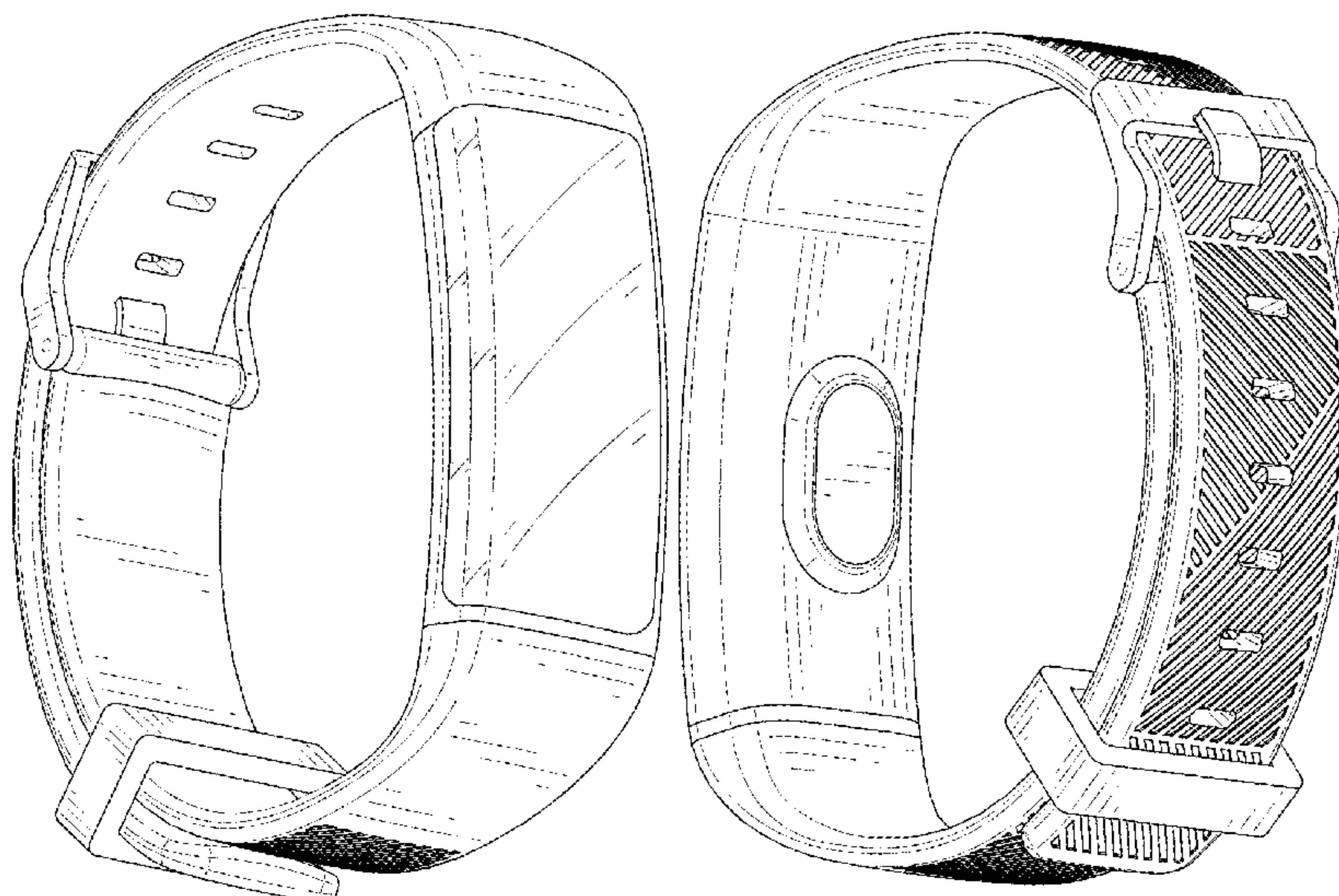
(57) **CLAIM**

The ornamental design for a smart watch, as shown and described.

DESCRIPTION

FIG. 1 is a perspective view of a first embodiment of a smart watch showing my new design;
FIG. 2 is another perspective view thereof;
FIG. 3 is a front elevational view thereof;
FIG. 4 is a rear elevational view thereof;
FIG. 5 is a left side elevational view thereof;
FIG. 6 is a right side elevational view thereof;
FIG. 7 is a top plan view thereof;
FIG. 8 is a bottom plan view thereof;
FIG. 9 is an exploded perspective view of the smart watch shown in a state where the components are separated;
FIG. 10 is a perspective view of a second embodiment of the smart watch showing my new design;
FIG. 11 is another perspective view thereof;
FIG. 12 is a front elevational view thereof;
FIG. 13 is a rear elevational view thereof;
FIG. 14 is a left side elevational view thereof;
FIG. 15 is a right side elevational view thereof;
FIG. 16 is a top plan view thereof;
FIG. 17 is a bottom plan view thereof; and,
FIG. 18 is an exploded perspective view of the smart watch shown in a state where the components are separated.
The broken lines in the drawings depict portions of the smart watch that form no part of the claimed design.

1 Claim, 18 Drawing Sheets



(56)

References Cited

U.S. PATENT DOCUMENTS

D816,668	S	*	5/2018	Wu	D14/344
D817,784	S		5/2018	Swenson et al.		
D822,836	S	*	7/2018	Wu	D24/186
D831,644	S	*	10/2018	Wu	D14/344
D831,645	S	*	10/2018	Wu	D14/344
D833,625	S	*	11/2018	Guan	D24/186
10,136,543	B1	*	11/2018	Nadkarni	H05K 7/1427
D840,043	S	*	2/2019	Li	D24/186
D841,171	S	*	2/2019	Li	D24/186
D848,875	S	*	5/2019	Wildner	D10/70
D851,641	S	*	6/2019	Zhang	D14/344
2017/0065224	A1	*	3/2017	Rahko	A61B 5/7435
2018/0092438	A1	*	4/2018	Vandenbussche	A44B 11/24
2019/0041806	A1	*	2/2019	Zhang	G04B 37/0033

OTHER PUBLICATIONS

Y5 Color Screen Fitness Tracker, announced 2019 [online], [retrieved Sep. 25, 2019]. Available from Internet, URL: <<https://www.rakuten.com/shop/gadgetdea124/product/SH-Y5/>> (Year: 2019).*

HuaWise Fitness Tracker, announced 2019 [online], [retrieved Sep. 25, 2019]. Available from Internet, URL: <<https://dealrice.com/deal-107575.html>> (Year: 2019).*

OCTelect Health, announced 2019 [online], [retrieved Sep. 25, 2019]. Available from Internet, URL: <<http://www.oct-tech.com/product/en/OCTelect-Health-wristband-fitness-tracker-for-women-child--amp--men--color-screen-fitness-tracker-blood-pressure-monitor-Call-Media-message-Remind-.html>> (Year: 2019).*

“HuaWise Fitness Tracker,Activity Tracker with Heart Rate Monitor and Sleep Monitor,Bluetooth Waterproof Smart VWatch,Step Counter Pedometer and Calorie Counter for Android and IOS”, Retrieved Aug. 12, 2019. Retrieved from Internet, <https://www.amazon.co.uk/HuaWise-Activity-Bluetooth-Waterproof-Pedometer/dp/B07HFWSCG2/>.

“Waterproof Color Scream Fitness Thacker—MATEYOU Fitness Tracker Watch With Activity Tracker Sleep Heart Rate Monitor Step Distance Calories Court Pedometer Watch for Kids Men Women”, Retrieved Aug. 12, 2019]. Retrieved from Internet, <https://www.amazon.co.uk/Waterproof-Color-Scream-Fitness-Tracker/dp/B07KMPWX9C/>.

* cited by examiner

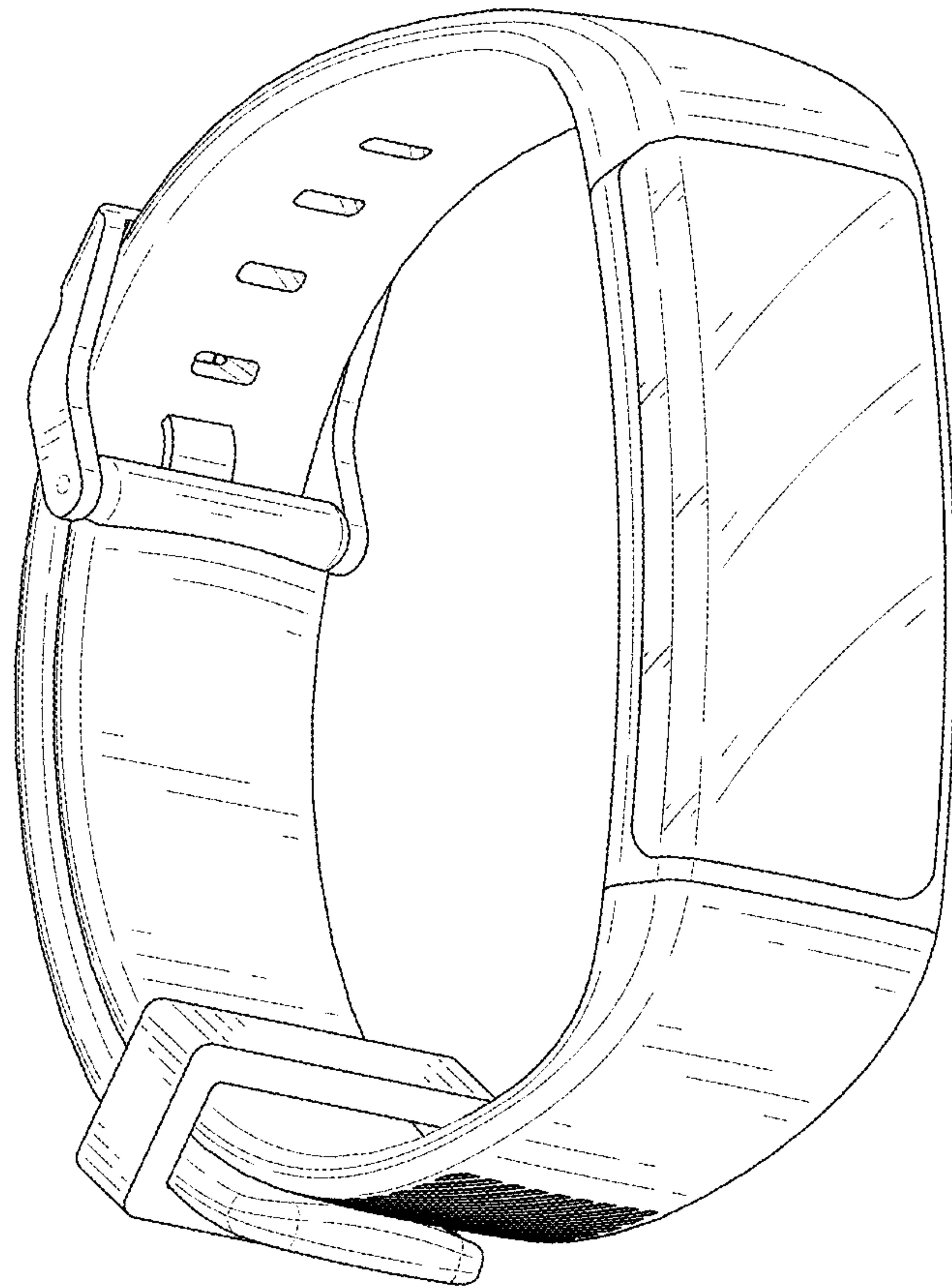


FIG. 1

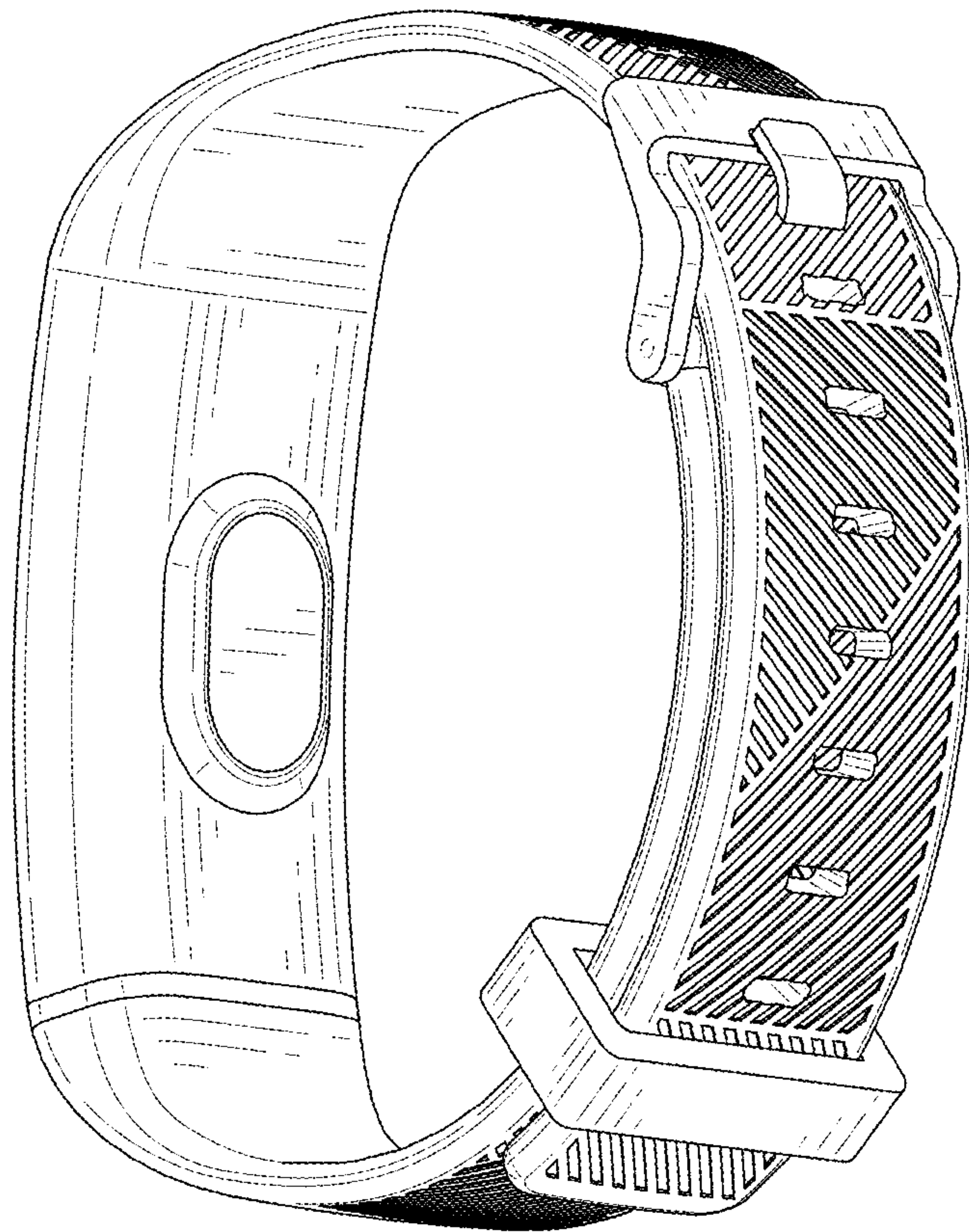


FIG. 2

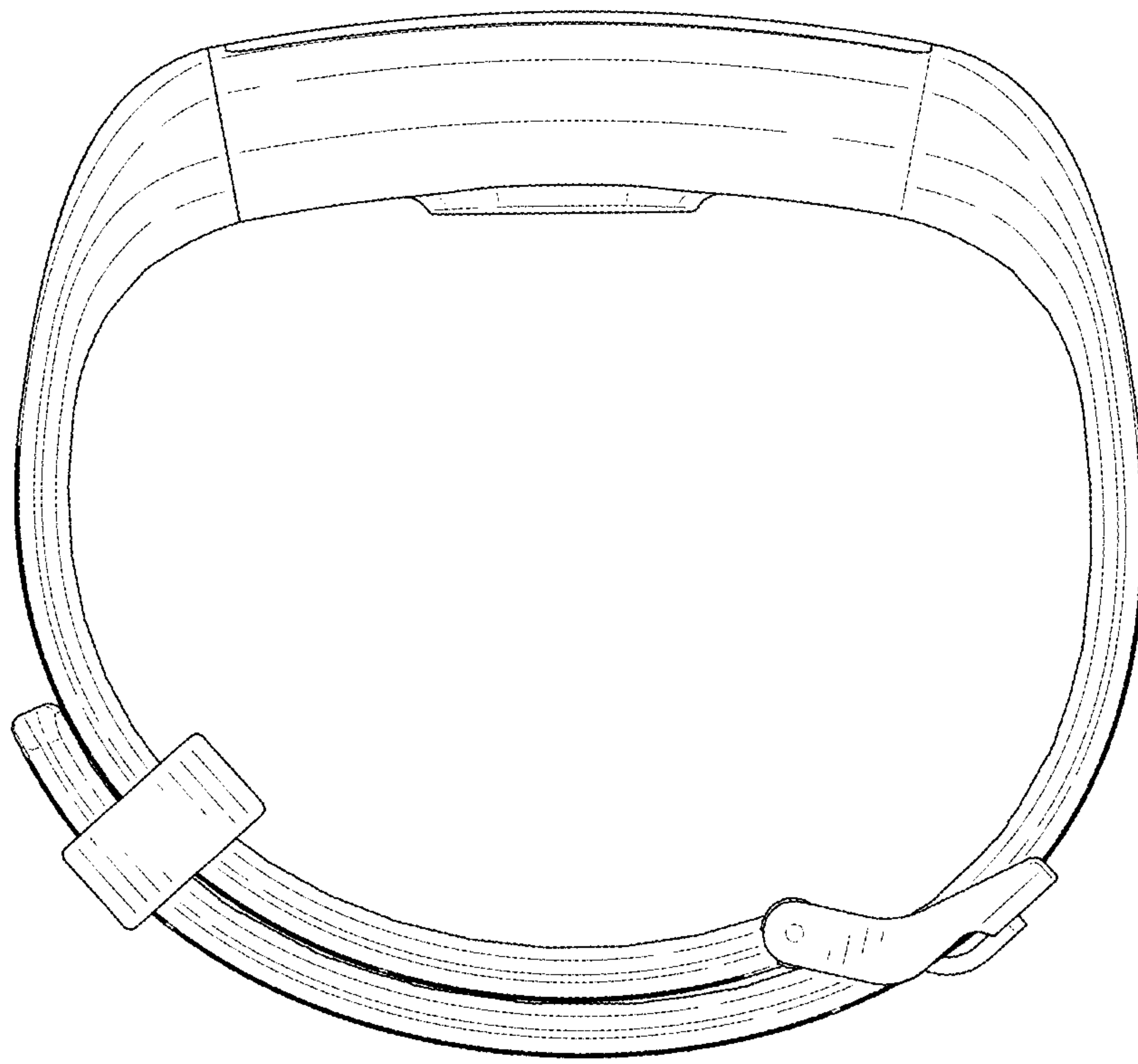


FIG. 3

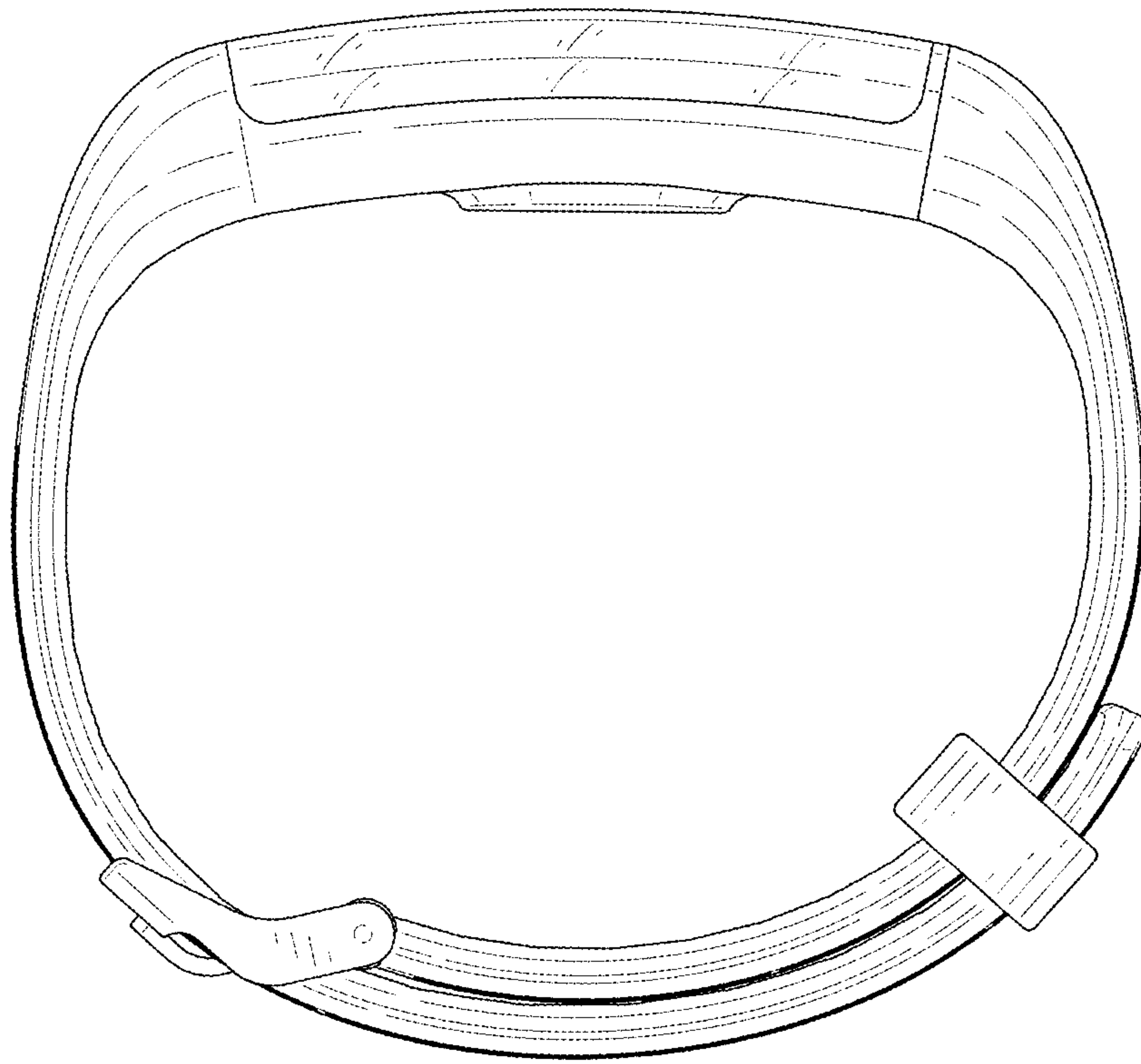


FIG. 4

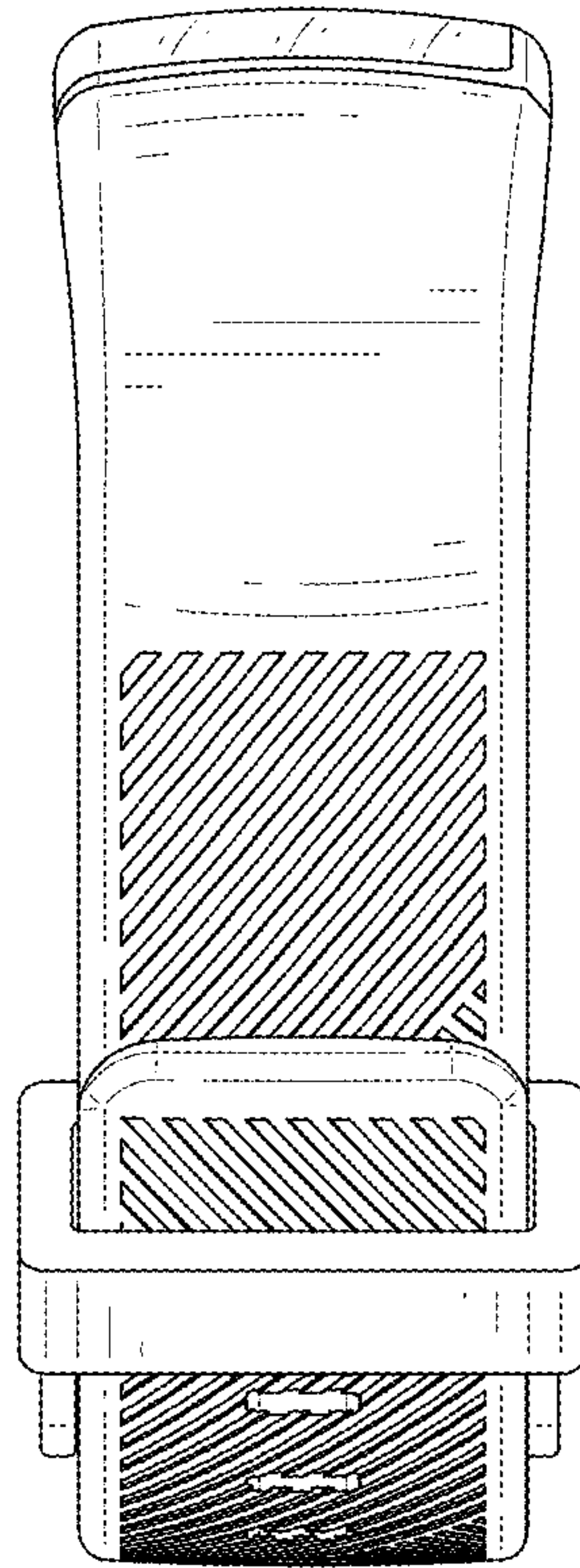


FIG. 5

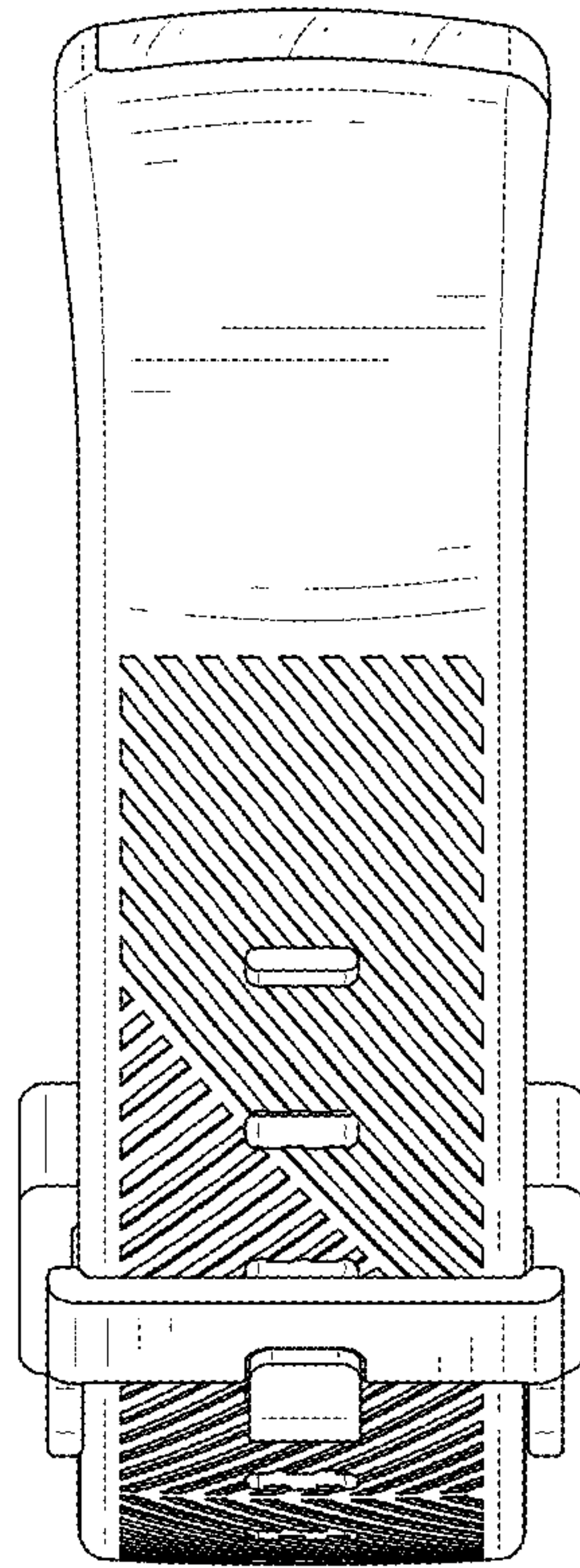


FIG. 6

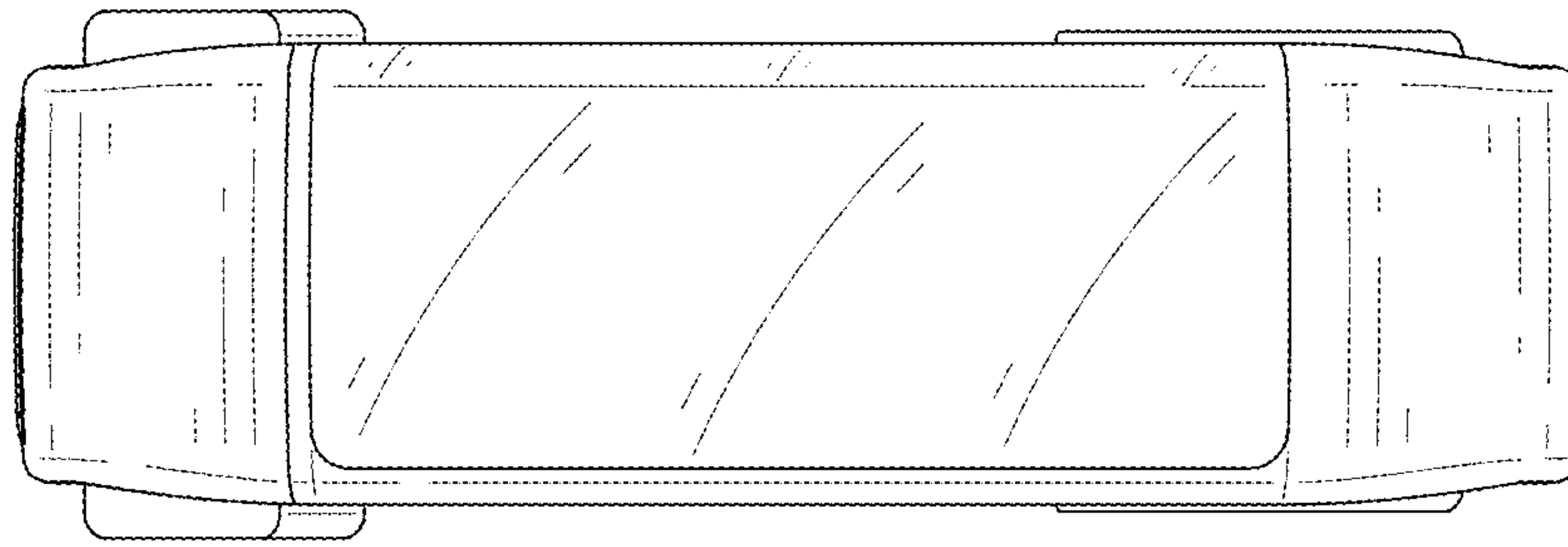


FIG. 7

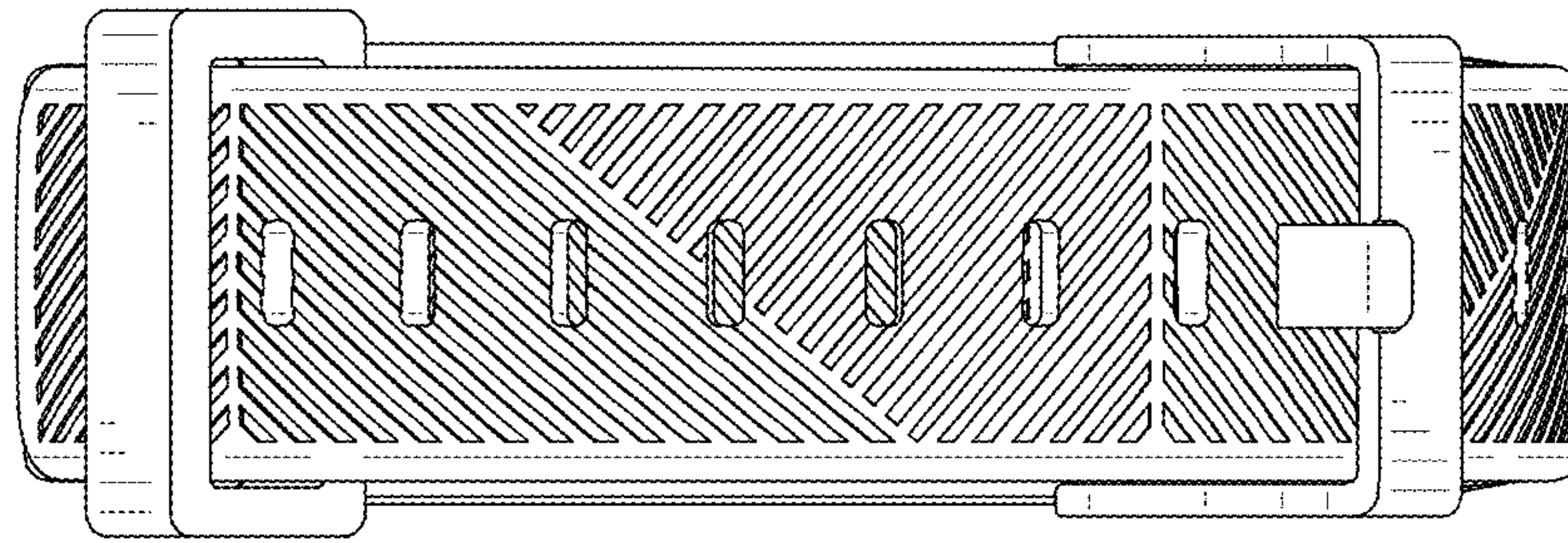


FIG. 8

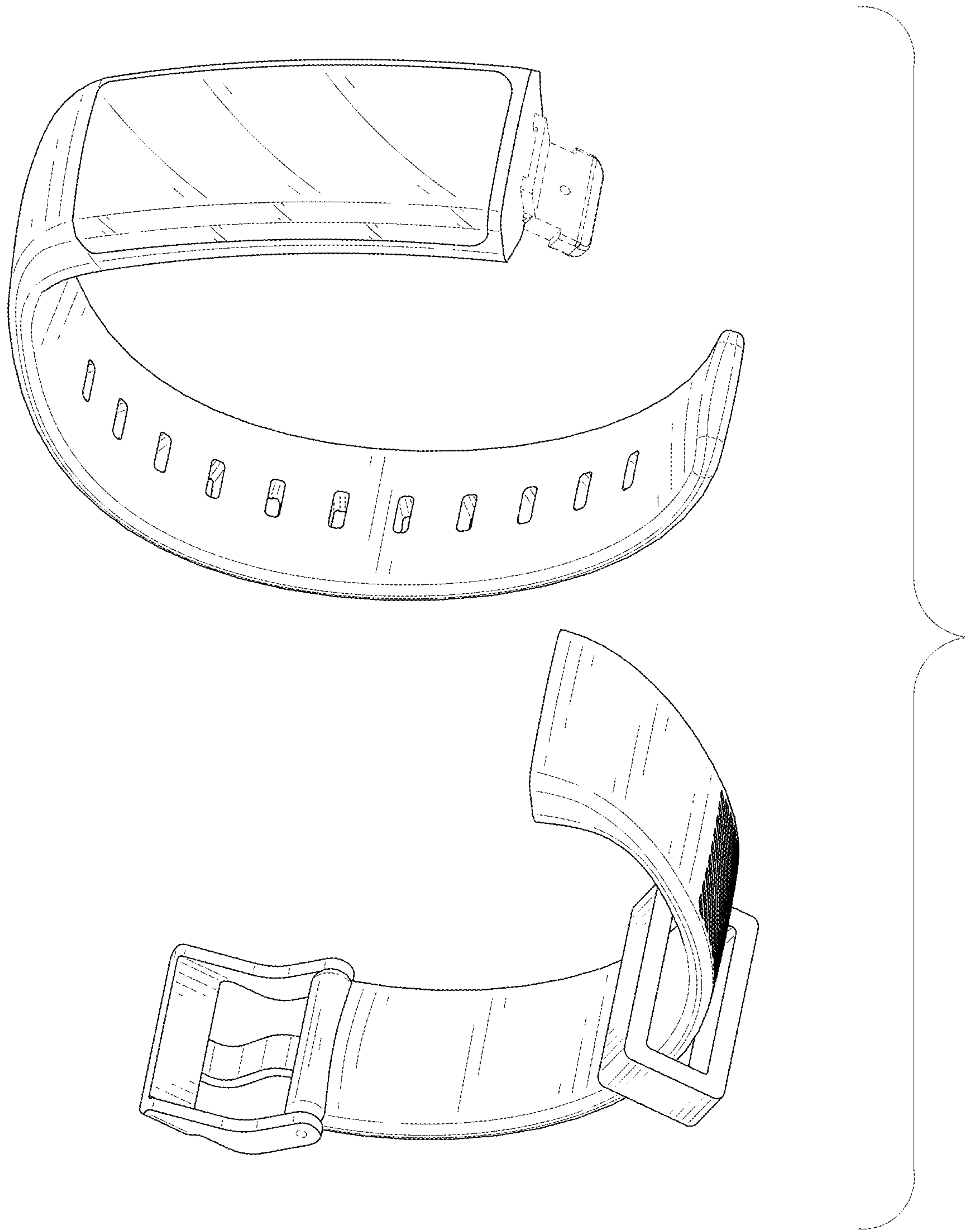


FIG. 9

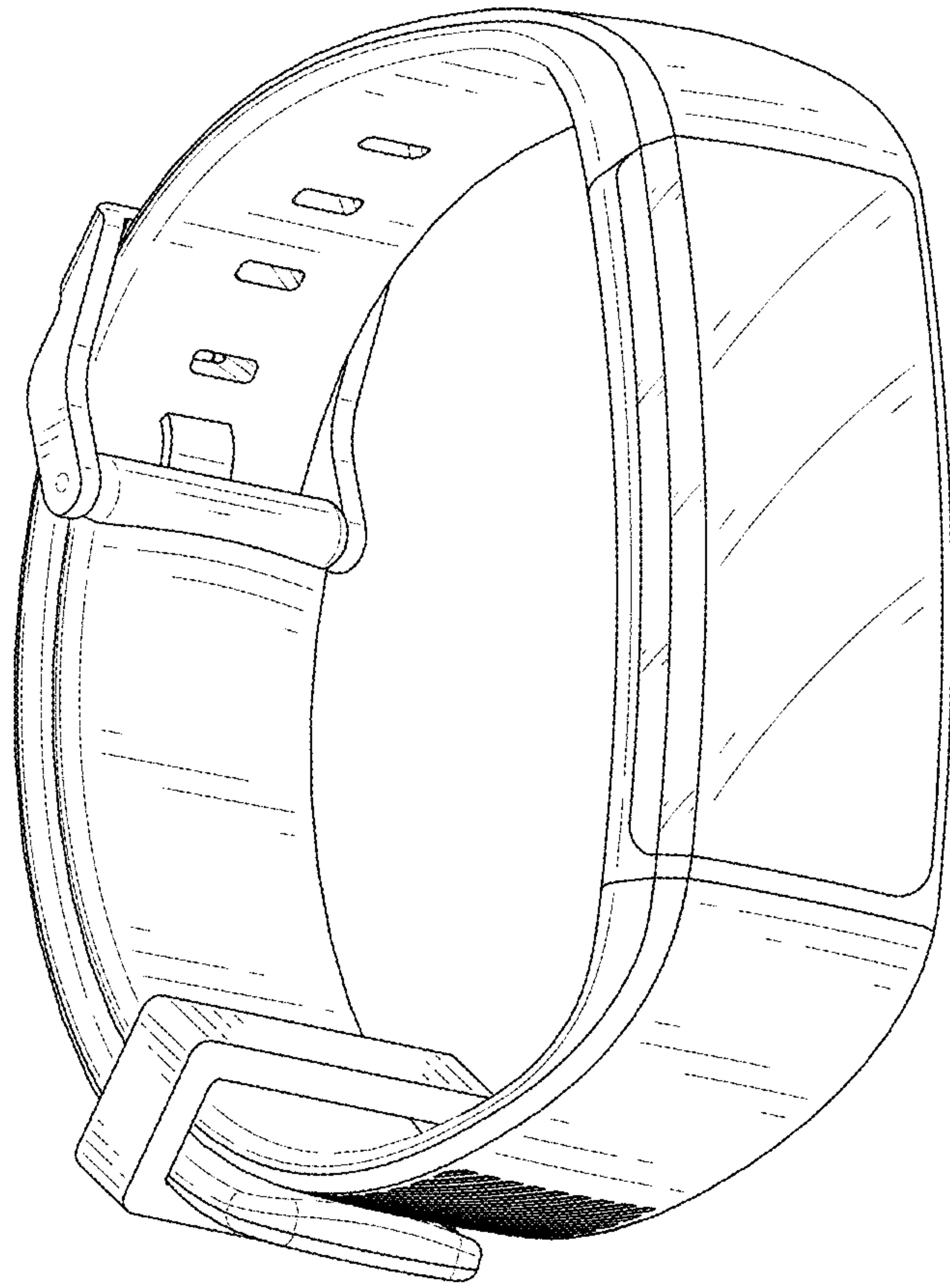


FIG. 10

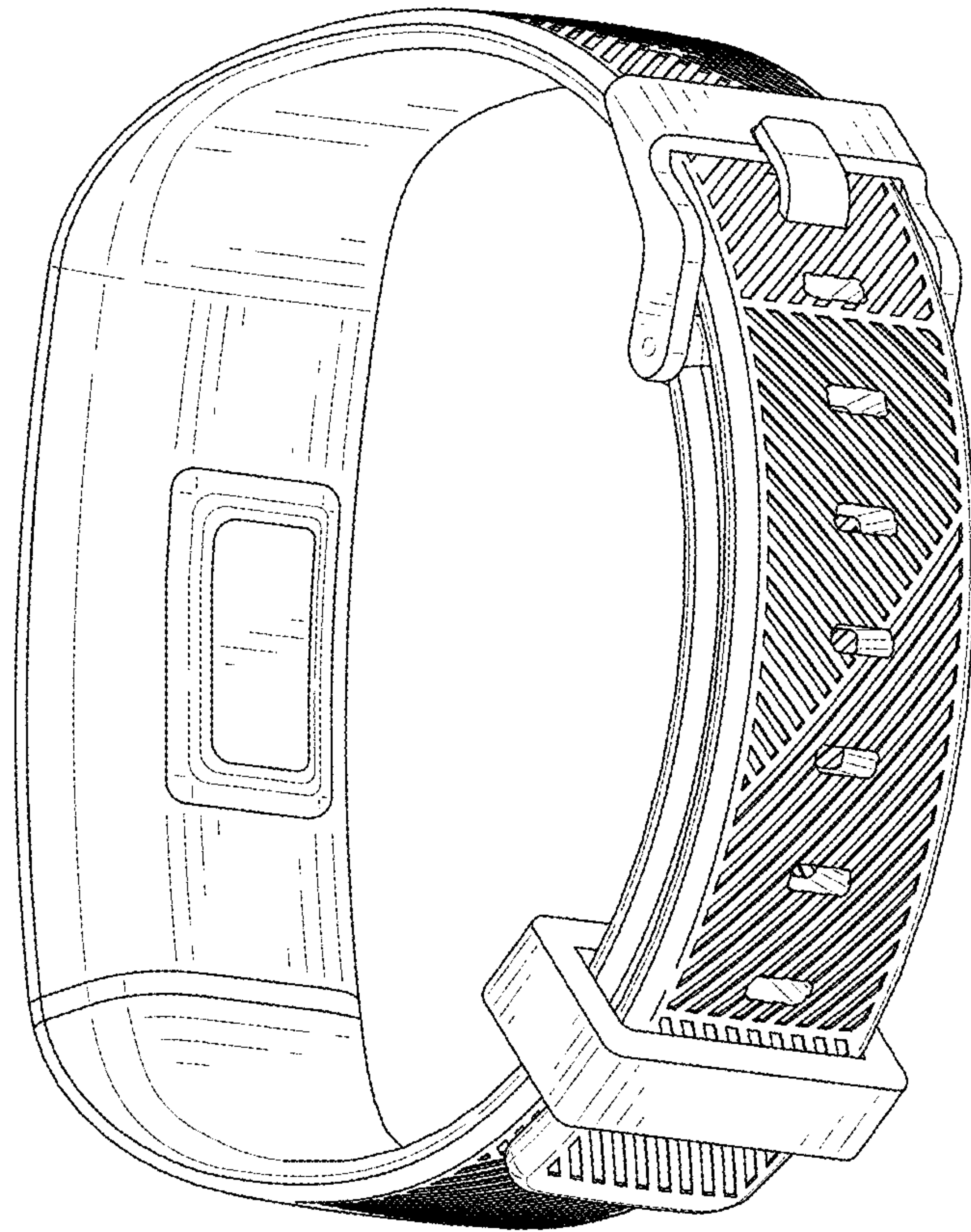


FIG. 11

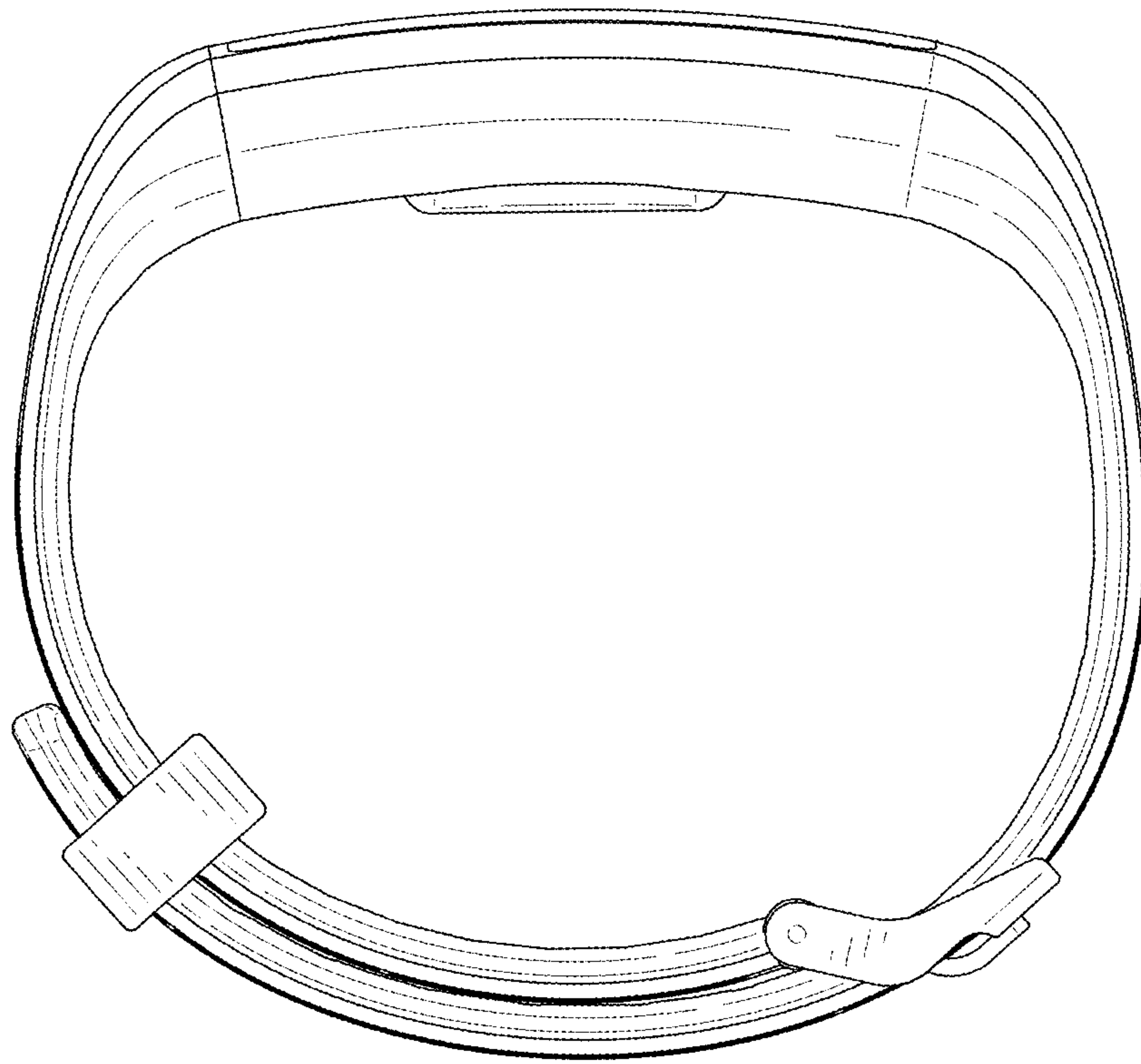


FIG. 12

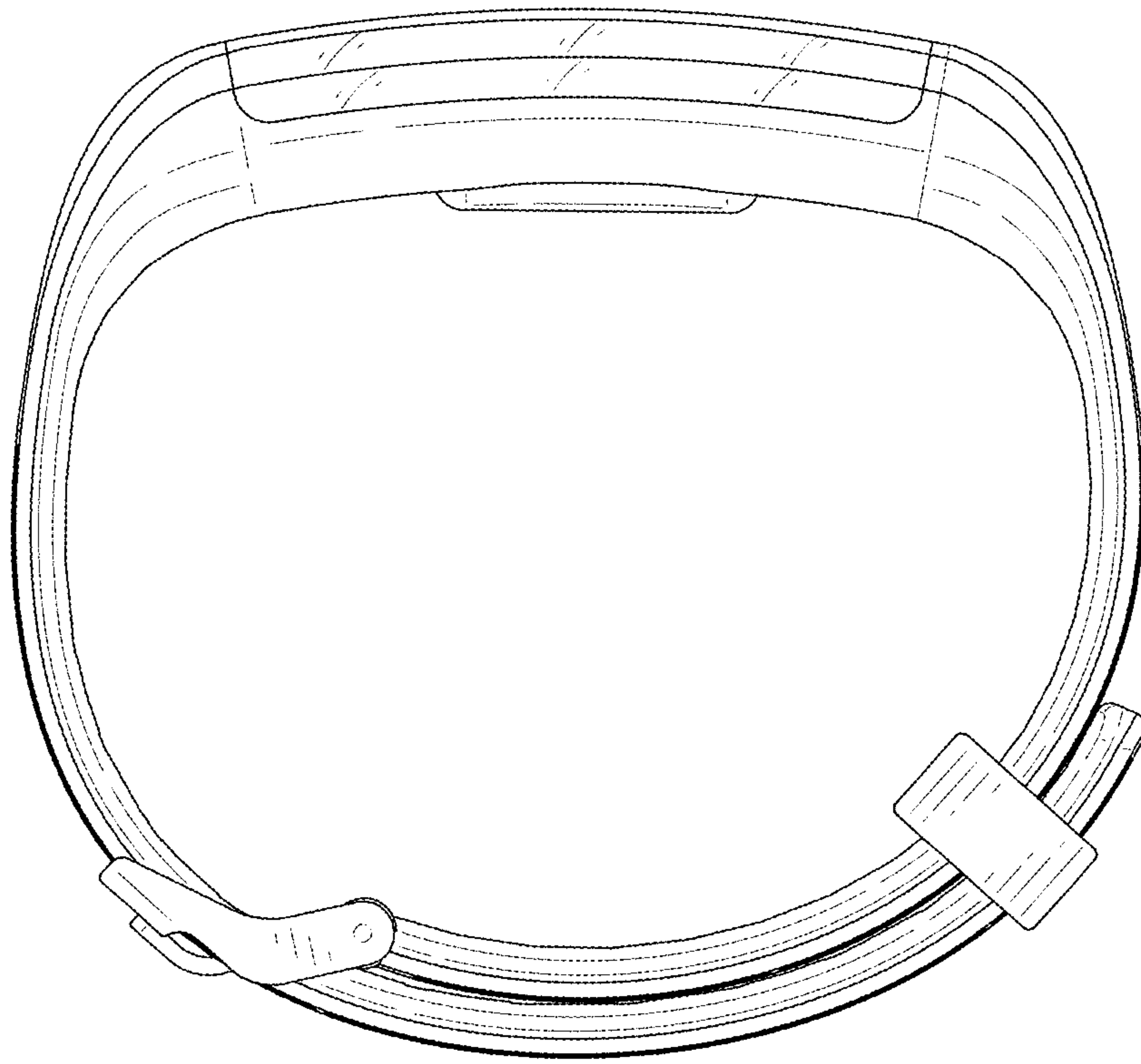


FIG. 13

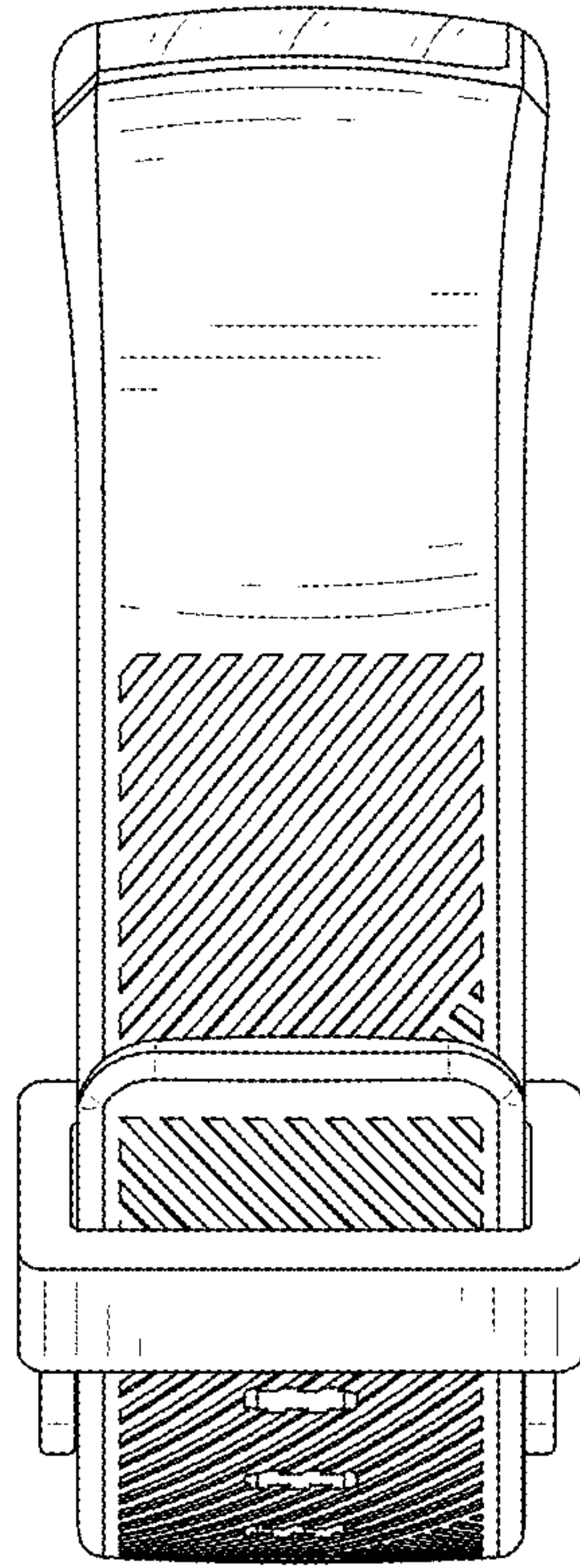


FIG. 14

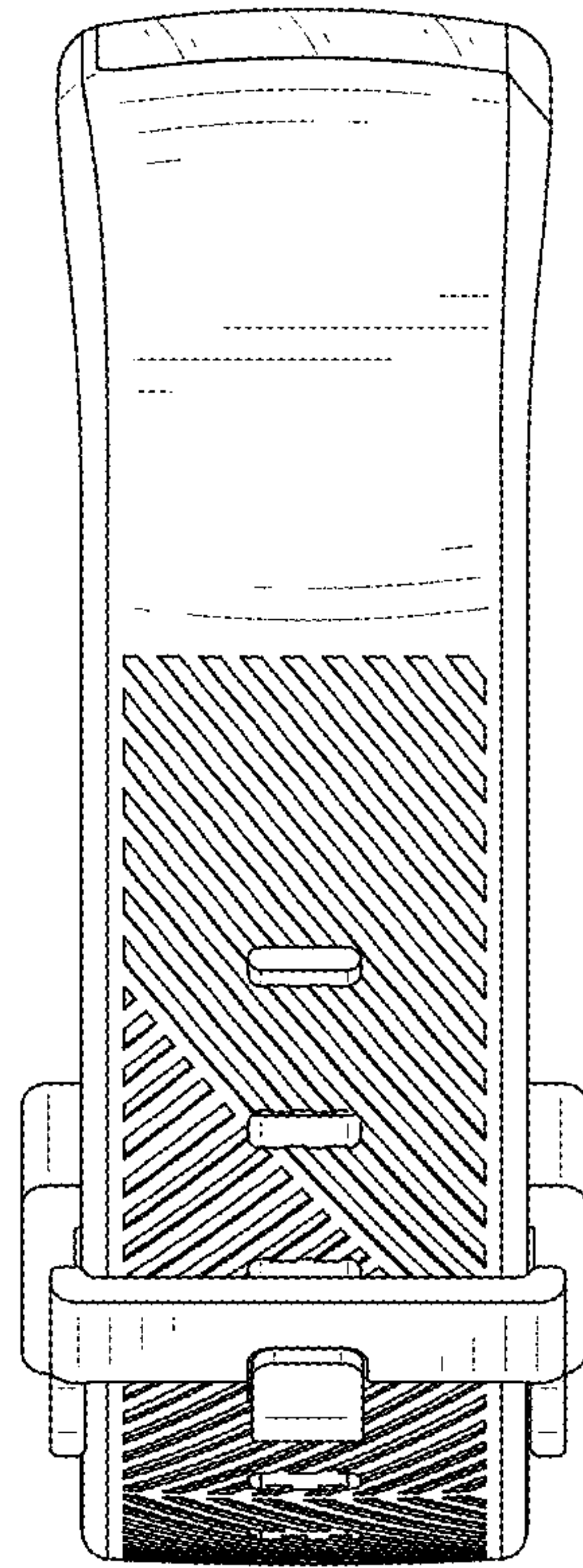


FIG. 15

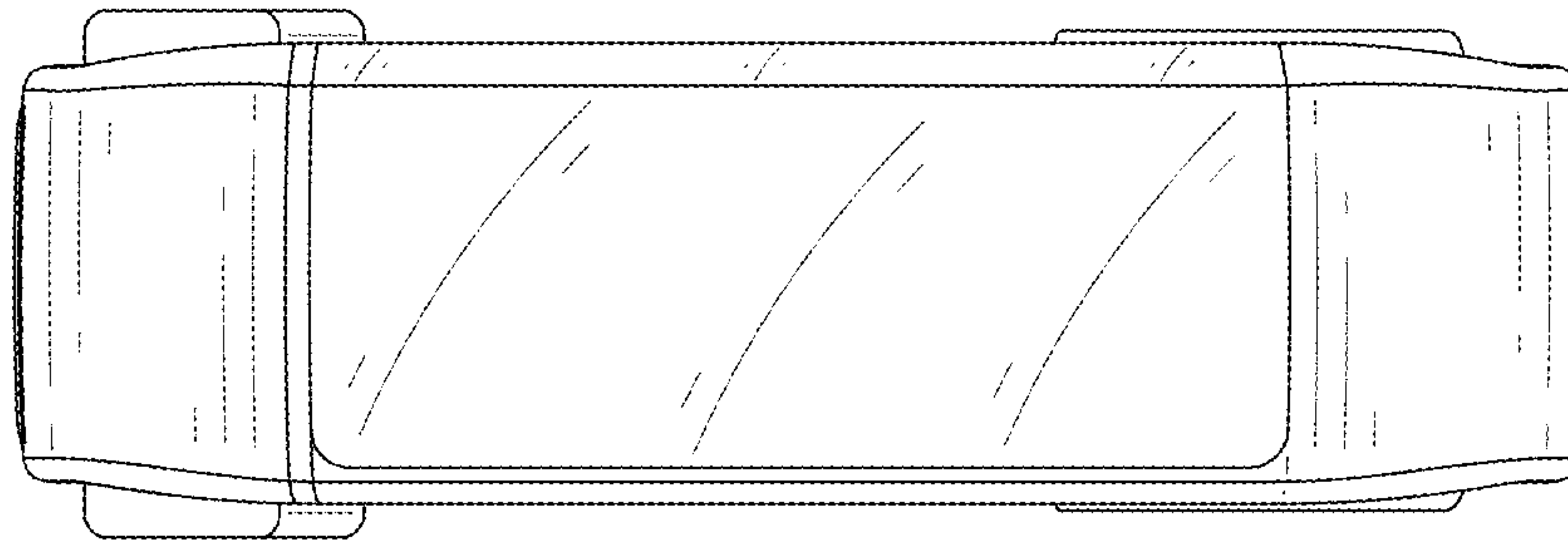


FIG. 16

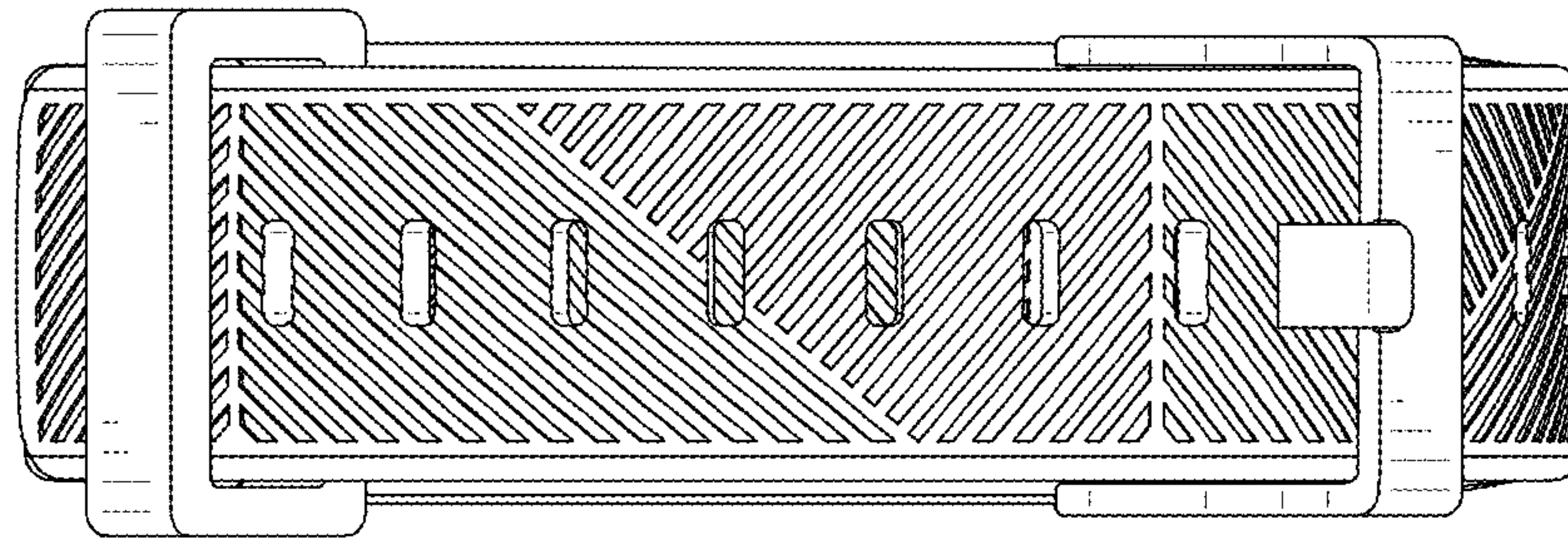


FIG. 17

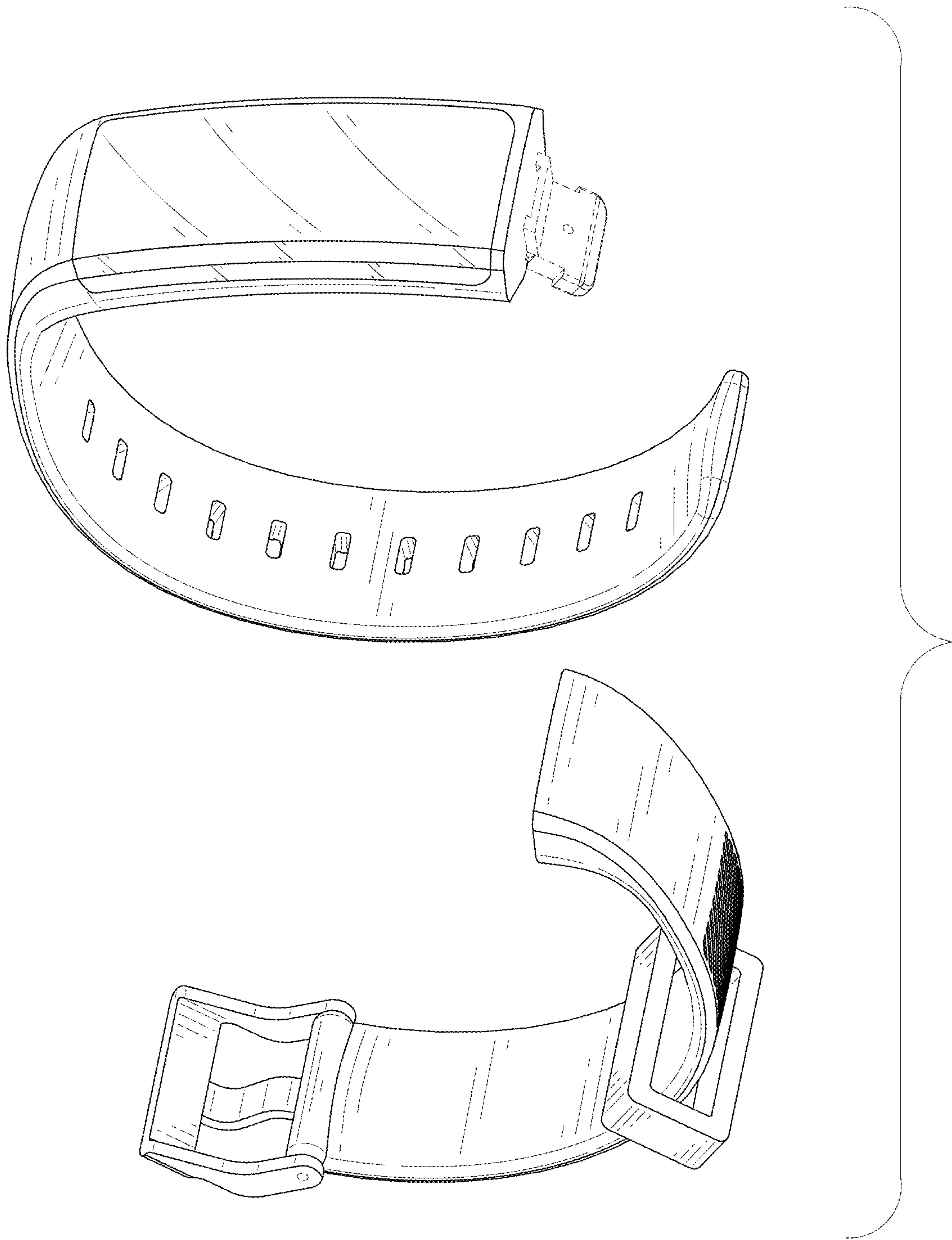


FIG. 18