



US00D868780S

(12) **United States Design Patent** (10) **Patent No.:** **US D868,780 S**  
**Doan et al.** (45) **Date of Patent:** **\*\* Dec. 3, 2019**

(54) **WEARABLE DEVICE**

(71) Applicant: **GlaxoSmithKline Consumer Healthcare Holdings, US, LLC,** Wilmington, DE (US)

(72) Inventors: **Brian Doan,** Warren, NJ (US); **Jeffrey Brunner,** Warren, NJ (US); **Alexander James Peacop,** Worcestershire (GB); **Martin Crofton,** West Midlands (GB)

(73) Assignee: **GlaxoSmithKline Consumer Healthcare Holdings (US) LLC,** Wilmington, DE (US)

(\*\*) Term: **15 Years**

(21) Appl. No.: **29/612,585**

(22) Filed: **Aug. 2, 2017**

(51) **LOC (12) Cl.** ..... **14-02**

(52) **U.S. Cl.**  
USPC ..... **D14/344**

(58) **Field of Classification Search**  
USPC .. D14/138 R, 144, 341, 344, 358, 388, 218;  
D10/30-39, 70, 98; D11/3, 4, 26, 93-94,  
(Continued)

(56) **References Cited**

**U.S. PATENT DOCUMENTS**

D501,260 S 1/2005 Mitrevics  
D501,937 S 2/2005 Mitrevics  
(Continued)

**OTHER PUBLICATIONS**

Images of Fitbit Charge 2 and Fitbit Flex 2 leak, posted Aug. 17, 2016, [retrieved Jul. 26, 2018]. Retrieved from Internet, <URL: <https://www.androidauthority.com/fitbit-charge-2-fitbit-flex-2-leak-710412/>>.\*

(Continued)

*Primary Examiner* — Barbara Fox  
*Assistant Examiner* — Kristin E Reed

(74) *Attorney, Agent, or Firm* — Roshni A. Sitapara; Joshua C. Sanders

(57) **CLAIM**

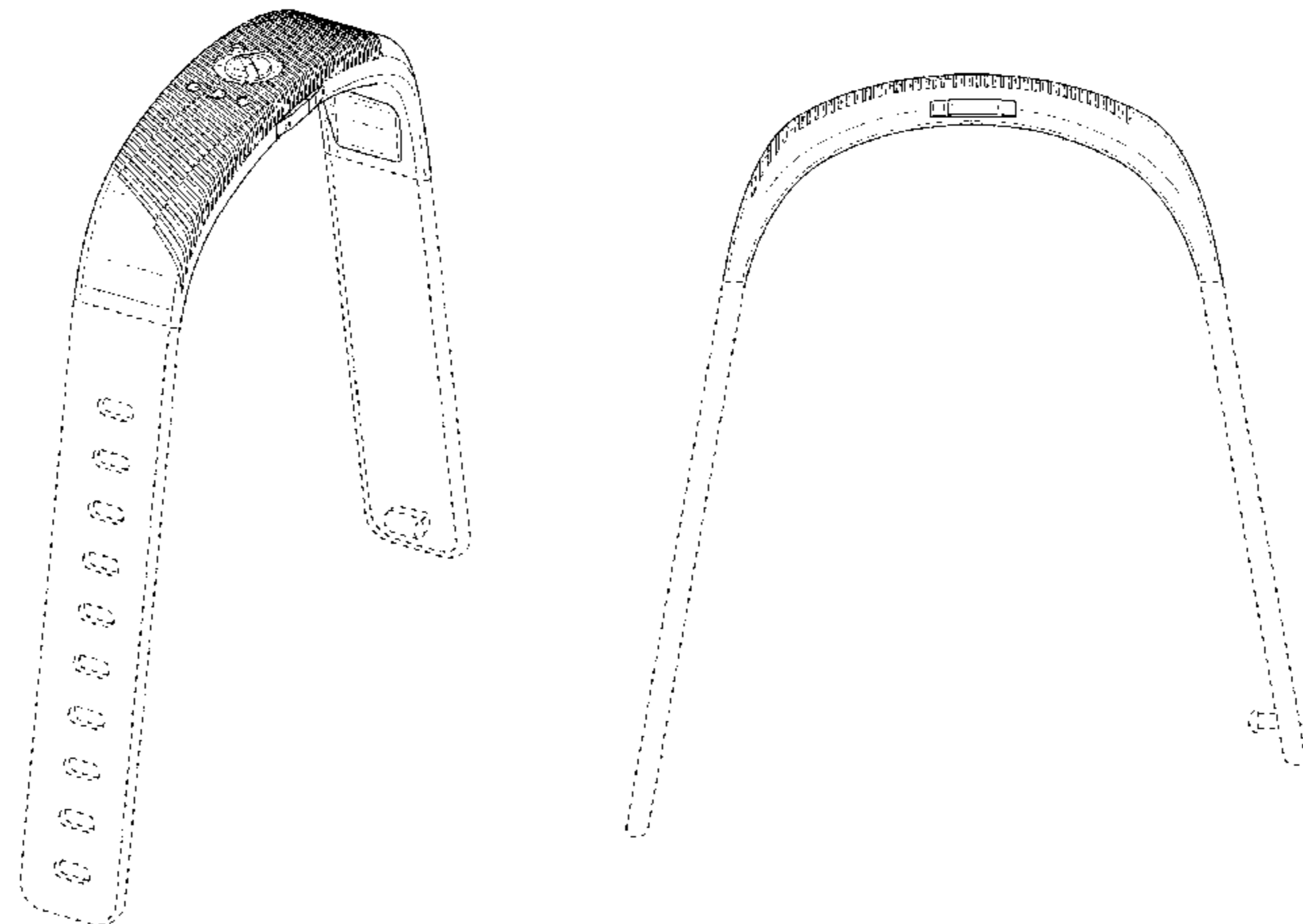
We claim the ornamental design for a wearable device, as shown and described.

**DESCRIPTION**

FIG. 1 is a perspective view of a wearable device showing our new invention in a first embodiment; FIG. 2 is a left side view thereof; FIG. 3 is a right side view thereof; FIG. 4 is a front view thereof; FIG. 5 is a back view thereof; FIG. 6 is a top view thereof; FIG. 7 is a bottom view thereof; FIG. 8 is a perspective view of the wearable device in a second embodiment; FIG. 9 is a left side view thereof; FIG. 10 is a right side view thereof; FIG. 11 is a front view thereof; FIG. 12 is a back view thereof; FIG. 13 is a top view thereof; FIG. 14 is a bottom view thereof; FIG. 15 is a perspective view of the wearable device in a third embodiment; FIG. 16 is a left side view thereof; FIG. 17 is a right side view thereof; FIG. 18 is a front view thereof; FIG. 19 is a back view thereof; FIG. 20 is a top view thereof; FIG. 21 is a bottom view thereof; FIG. 22 is a perspective view of the wearable device in a fourth embodiment; FIG. 23 is a left side view thereof; FIG. 24 is a right side view thereof; FIG. 25 is a front view thereof; FIG. 26 is a back view thereof; FIG. 27 is a top view thereof; and, FIG. 28 is a bottom view thereof.

The broken lines shown in the figures depict portions of the wearable device that form no part of the claimed design.

**1 Claim, 28 Drawing Sheets**



(58) **Field of Classification Search**

USPC ..... D11/78.1, 79, 86; D24/167, 169,  
D24/186-187, 164  
CPC ..... A41D 1/002; A41D 19/0034; G06F 1/04;  
G06F 1/08; G06F 1/10; G06F 1/14; G06F  
1/1626; G06F 1/1628; G06F 1/163; G06F  
1/1635; G06F 1/3203; G06Q 20/10;  
G06Q 20/12; G06Q 20/108; G06Q  
20/145; H04B 1/3833; H04B 1/385;  
H04B 1/3888; H04M 1/02; H04M 1/03;  
H04M 1/04; H04M 1/05; H04M 1/667;  
H04M 1/6058; Y02B 60/1217

See application file for complete search history.

(56) **References Cited**

U.S. PATENT DOCUMENTS

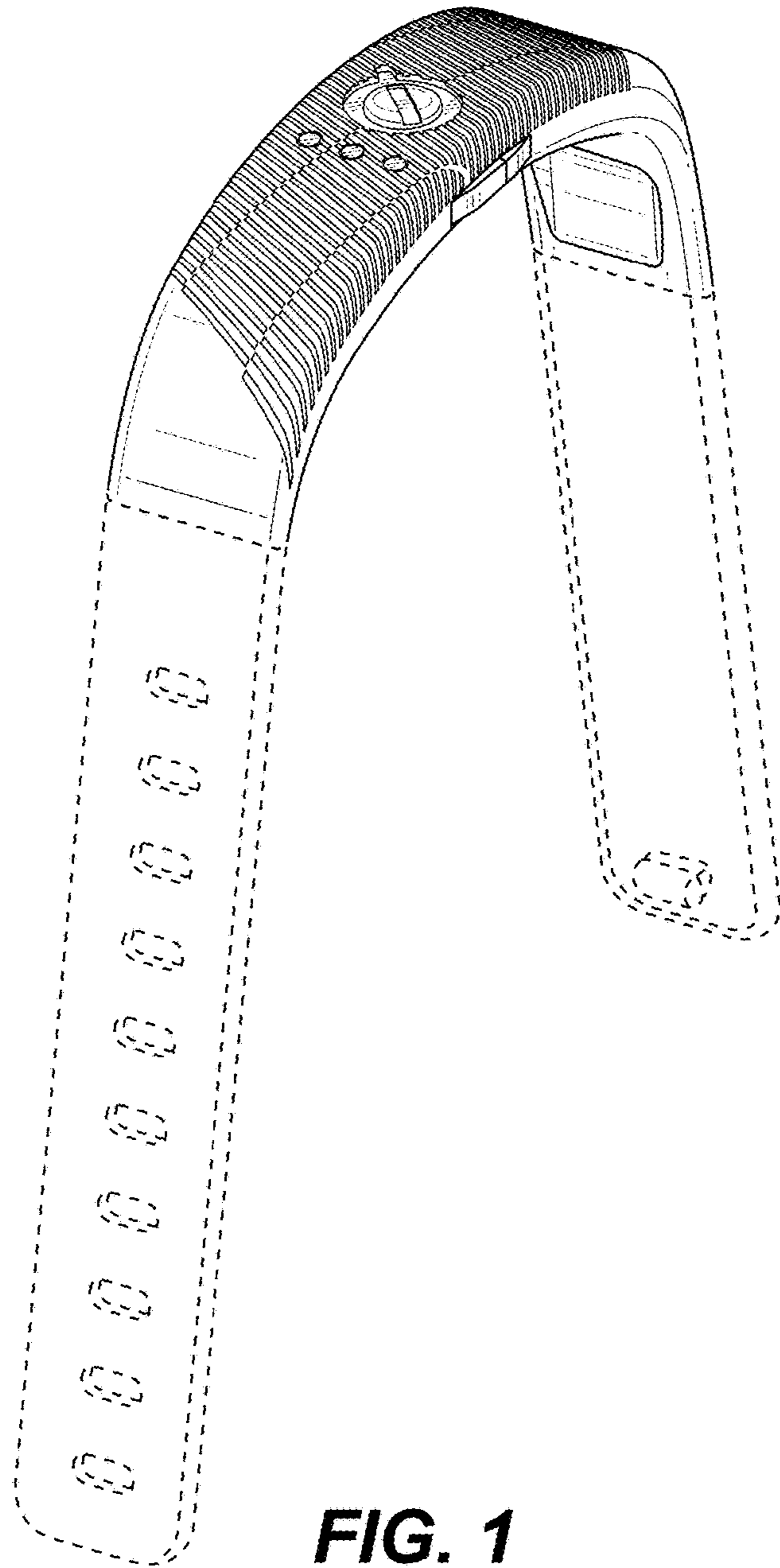
D508,741 S 8/2005 Mitrevics  
D509,760 S 9/2005 Burrell  
D513,806 S 1/2006 Mitrevics  
D549,602 S 8/2007 Oberrieder et al.  
D550,105 S 9/2007 Oberrieder et al.  
D560,520 S 1/2008 Oberrieder et al.  
D562,888 S 2/2008 Brown  
D565,095 S 3/2008 Brown  
D565,096 S 3/2008 Brown  
D565,097 S 3/2008 Brown  
D596,510 S 7/2009 Register et al.  
D610,922 S 3/2010 Lammers-Meis et al.  
D657,697 S 4/2012 Lammers-Meis et al.  
D660,726 S 5/2012 Register et al.  
D661,206 S 6/2012 Register et al.  
D682,712 S 5/2013 Lammers-Meis et al.  
D706,531 S 6/2014 Park et al.  
D707,041 S 6/2014 Park et al.  
D714,672 S 10/2014 Park et al.  
D715,665 S 10/2014 Park et al.  
D715,666 S 10/2014 Park et al.  
D715,668 S 10/2014 Roush et al.  
D717,680 S 11/2014 Park et al.  
D718,647 S 12/2014 Roush et al.  
D720,249 S 12/2014 Park et al.  
D720,635 S 1/2015 Park et al.  
D724,468 S 3/2015 Tan et al.  
D725,497 S 3/2015 Henne et al.  
D725,510 S \* 3/2015 Henning ..... D10/70  
D727,183 S 4/2015 Park et al.  
D727,759 S 4/2015 Martinez et al.  
D729,658 S \* 5/2015 Behar ..... D10/70

D729,806 S 5/2015 Park et al.  
D733,604 S 7/2015 Tan et al.  
D737,716 S 9/2015 Tan et al.  
D738,769 S 9/2015 Tan et al.  
D739,268 S 9/2015 Lammers-Meis et al.  
D739,768 S 9/2015 Hanshew et al.  
D740,136 S 10/2015 Henne et al.  
D742,254 S 11/2015 Greusel et al.  
D742,761 S 11/2015 Grazian et al.  
D746,776 S 1/2016 Park et al.  
D749,002 S 2/2016 Park et al.  
D756,240 S 5/2016 Register et al.  
D757,583 S \* 5/2016 Roush ..... D10/70  
D759,516 S \* 6/2016 Ling ..... D10/30  
D759,523 S 6/2016 Ling et al.  
D759,826 S 6/2016 Martinez et al.  
D763,107 S 8/2016 Nielsen et al.  
D763,719 S 8/2016 Nielsen et al.  
D766,758 S 9/2016 Park et al.  
D768,028 S 10/2016 Ling et al.  
D772,081 S 11/2016 Lee et al.  
D777,590 S 1/2017 Nielsen et al.  
D790,994 S 4/2017 Nielsen et al.  
D789,929 S \* 6/2017 Tan ..... D14/344  
D790,374 S 6/2017 Lean et al.  
D795,719 S 8/2017 Lean et al.  
D796,368 S 9/2017 Lowe et al.  
D800,109 S \* 10/2017 Rouillac ..... D14/344  
D800,596 S \* 10/2017 Ling ..... D11/5  
D802,453 S \* 11/2017 Page ..... D10/70  
9,939,787 B2 \* 4/2018 Baek ..... G04G 17/04  
D816,668 S \* 5/2018 Wu ..... D14/344  
2016/0072554 A1 \* 3/2016 Sharma ..... H04B 5/0031  
455/41.1  
2017/0083046 A1 \* 3/2017 Seok ..... A61B 5/681  
2018/0039303 A1 \* 2/2018 Hashimoto ..... G02F 1/167

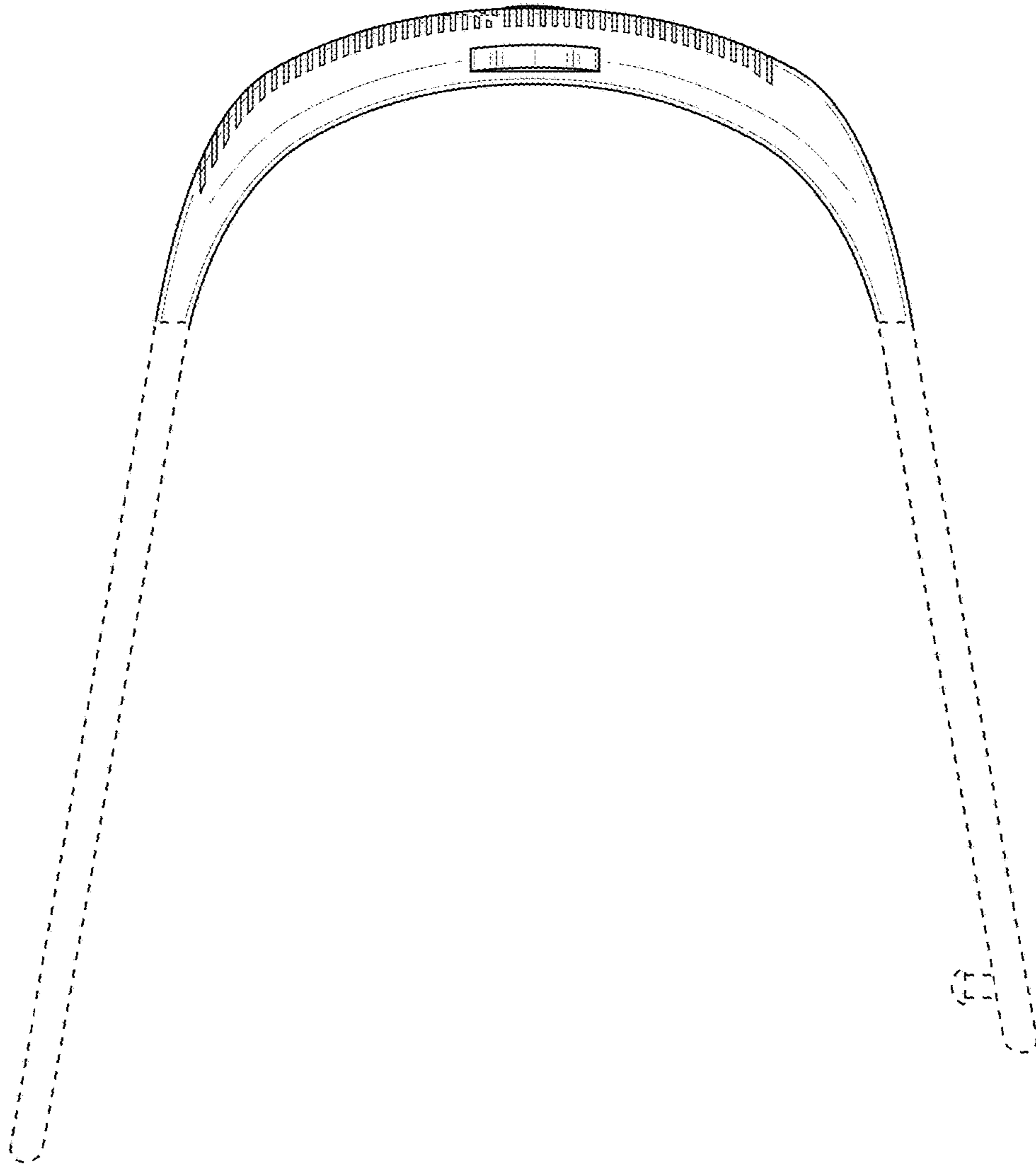
OTHER PUBLICATIONS

Sony SmartBand SWR10 Black, posted Dec. 21, 2016, [retrieved Jul. 26, 2018]. Retrieved from Internet, <URL: <https://www.skroutz.gr/s/5061399/Sony-SmartBand-SWR10-Black.html#reviews> >.\*  
オリジナル小米 科技ミバンド2スマートリストバンドハー トレートモニター, , posted Aug. 29, 2017, [retrieved Jul. 26, 2018]. Retrieved from Internet, <URL: <https://www.amazon.co.jp/MI> >.\*  
U.S. Appl. No. 29/612,584, filed Aug. 2, 2017.  
U.S. Appl. No. 29/612,586, filed Aug. 2, 2017.  
U.S. Appl. No. 29/612,587, filed Aug. 2, 2017.

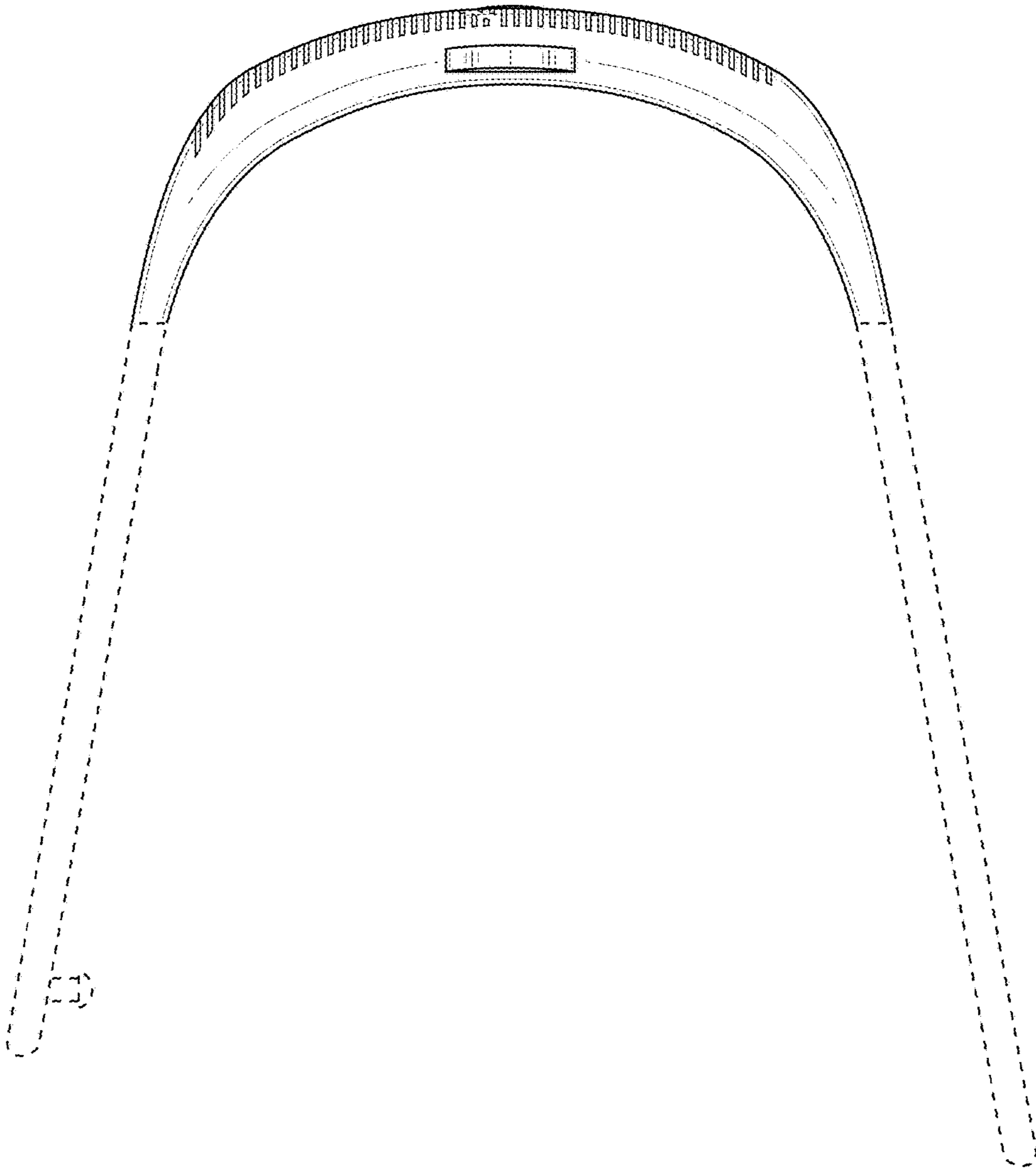
\* cited by examiner



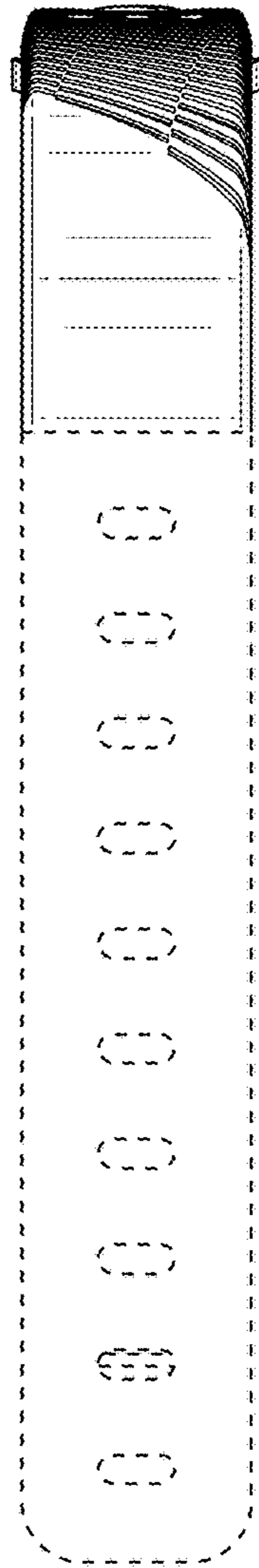




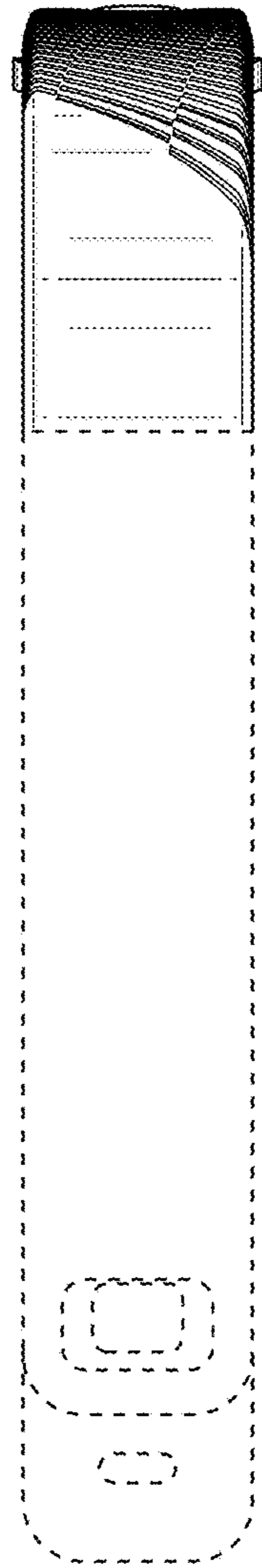
**FIG. 2**



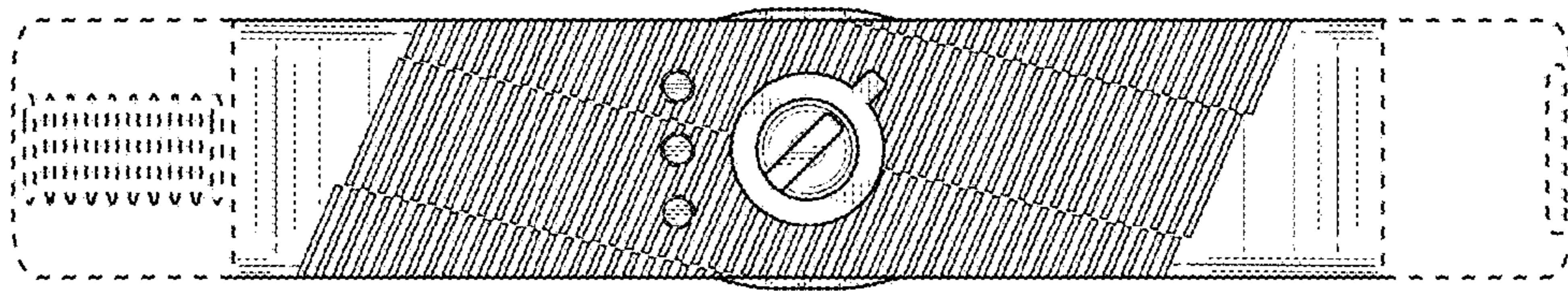
**FIG. 3**



**FIG. 4**

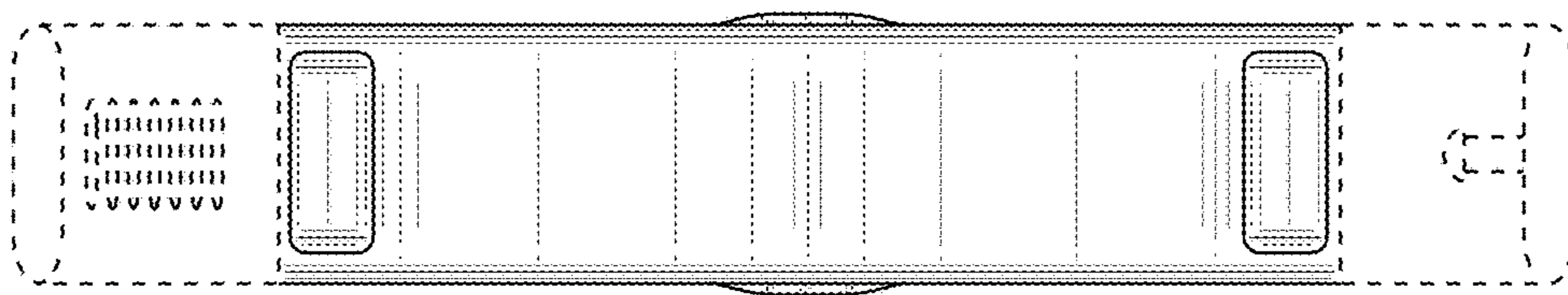


**FIG. 5**

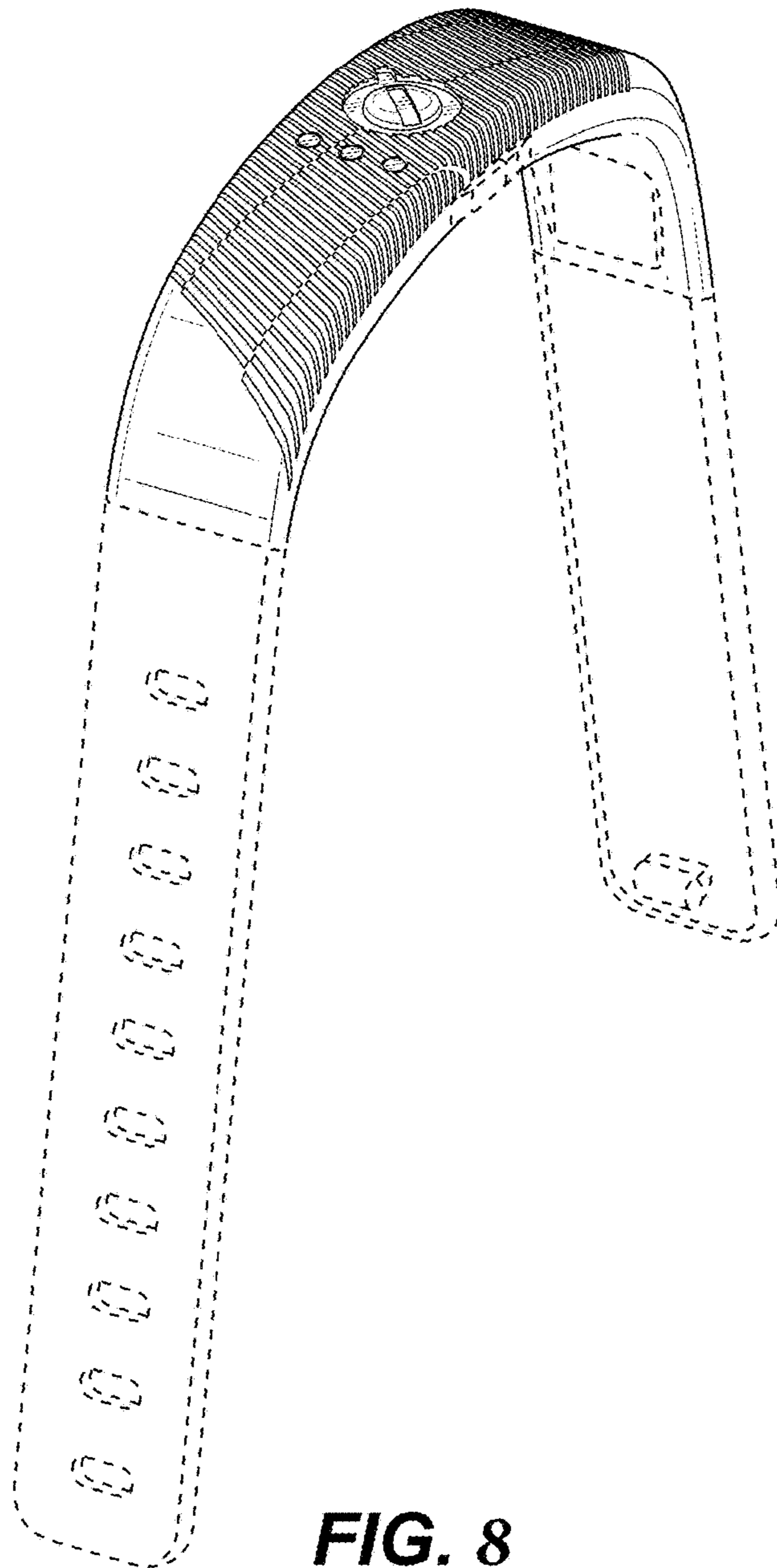


**FIG. 6**

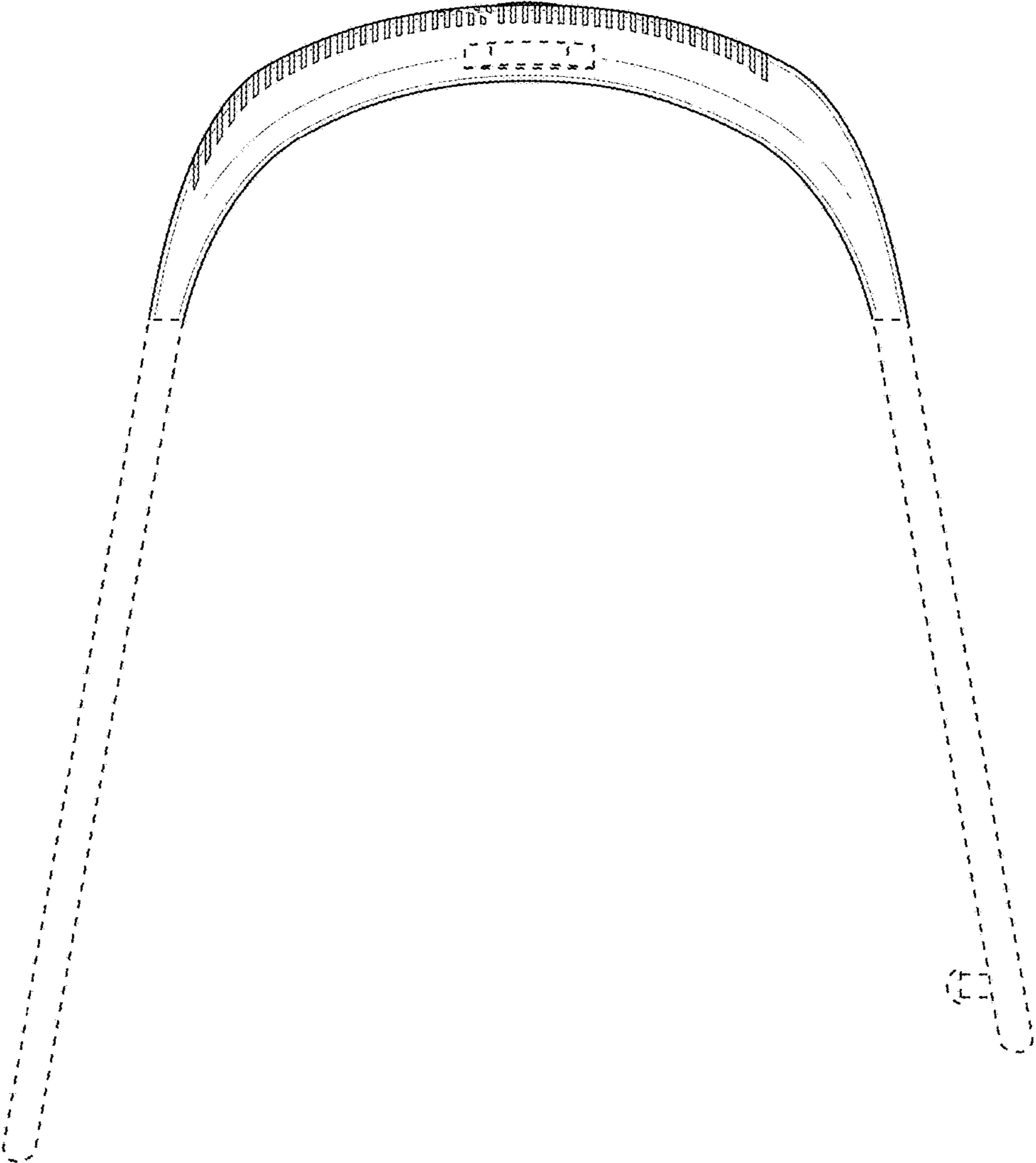




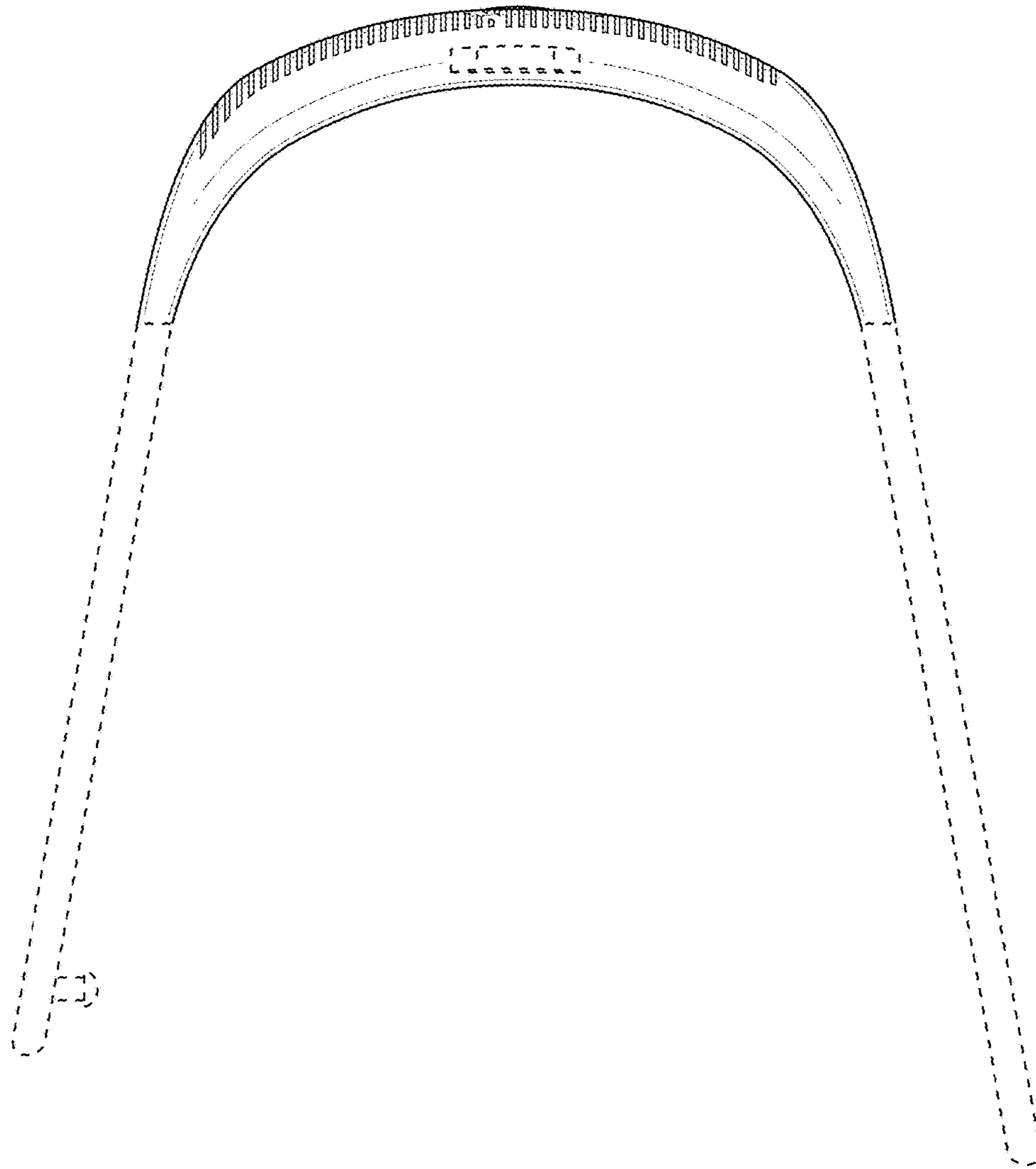
**FIG. 7**



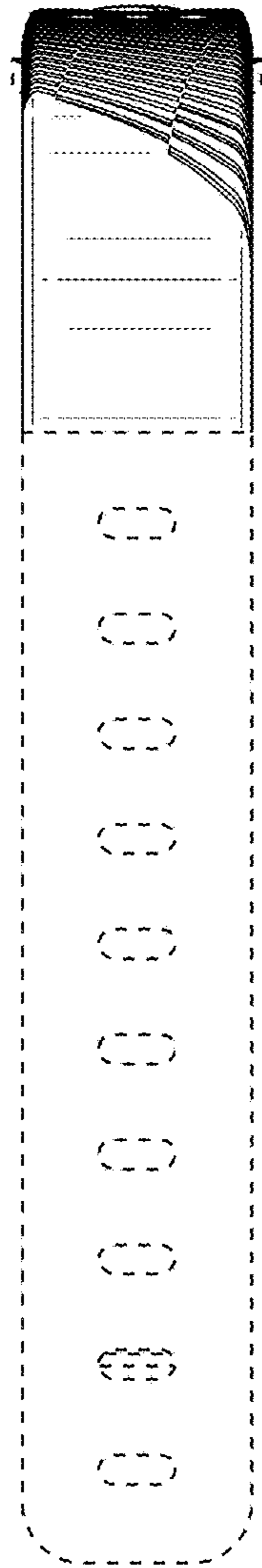
**FIG. 8**



**FIG. 9**

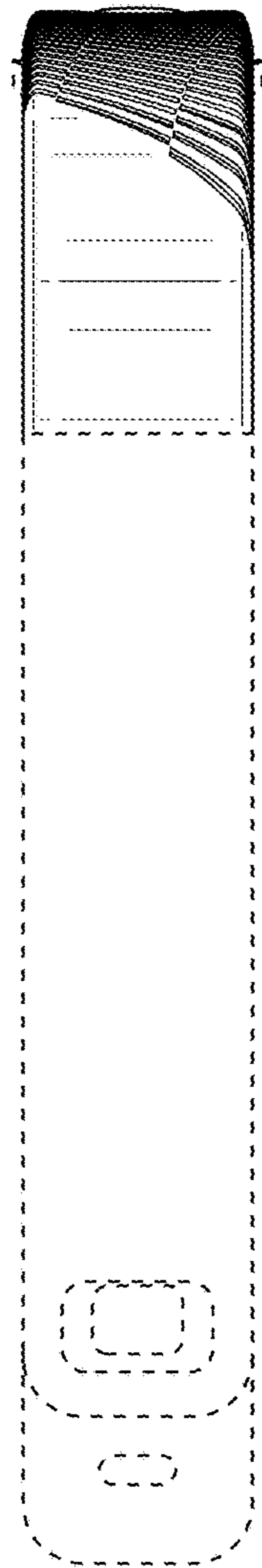


**FIG. 10**

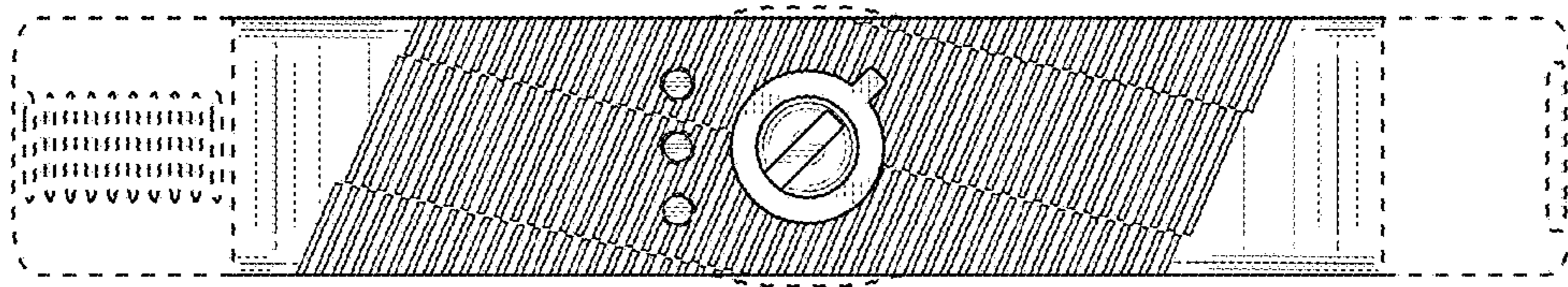


**FIG. 11**

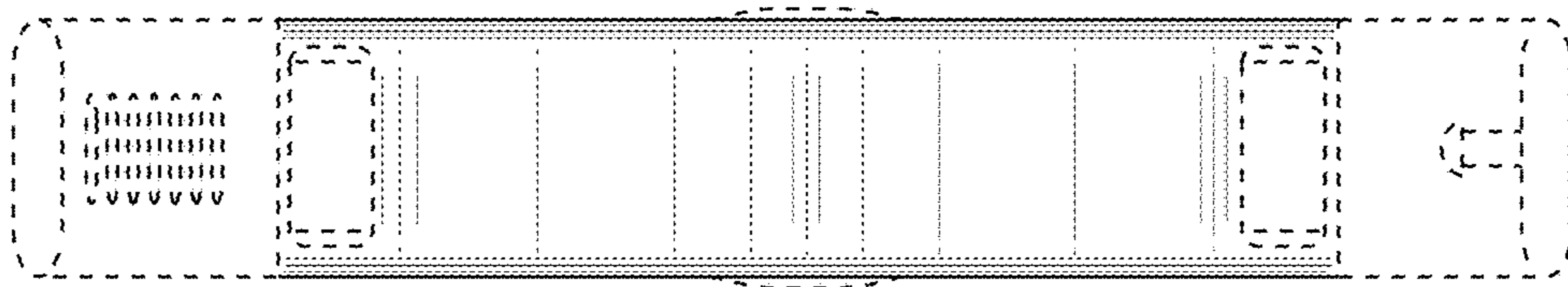




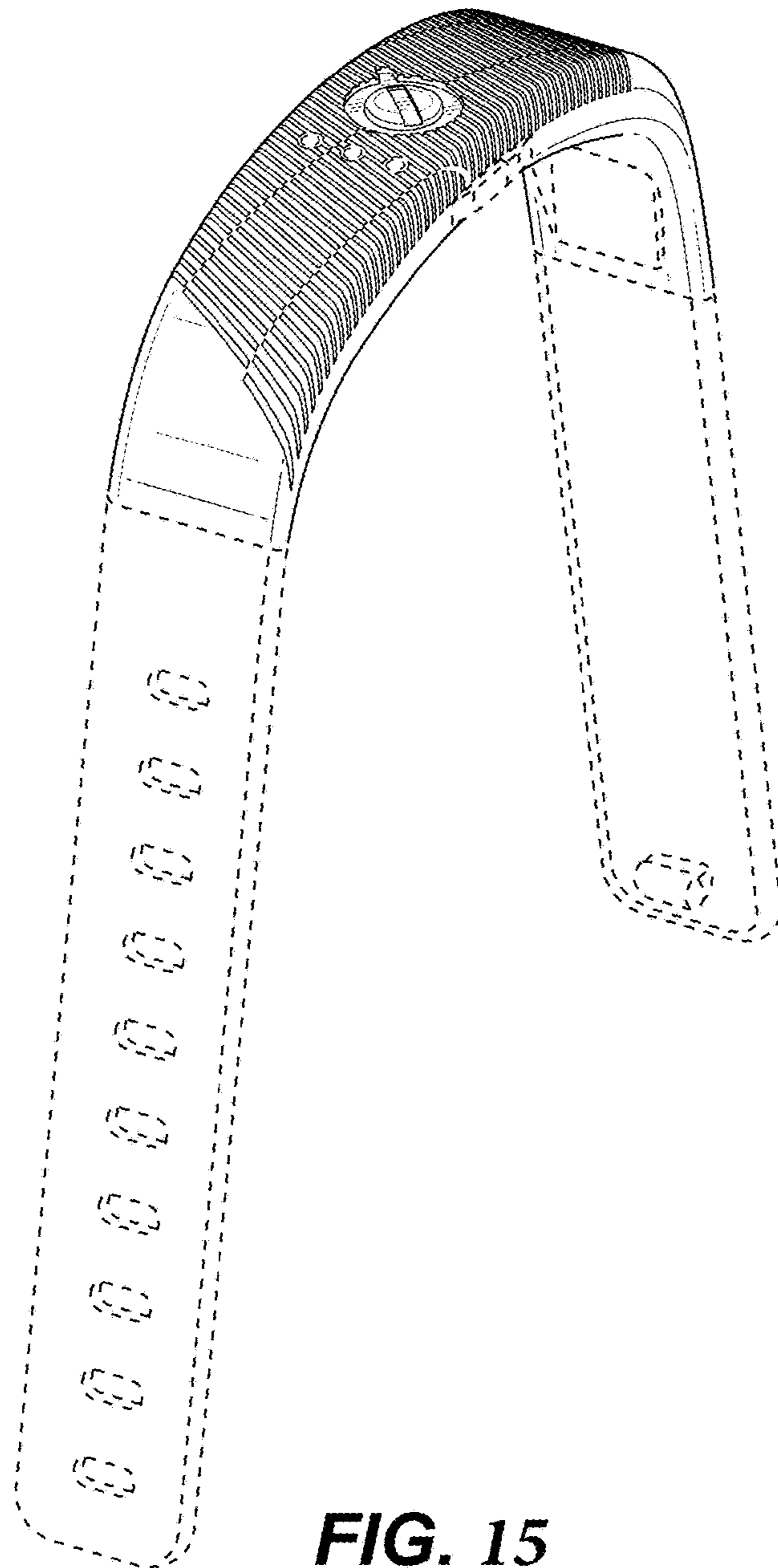
**FIG. 12**



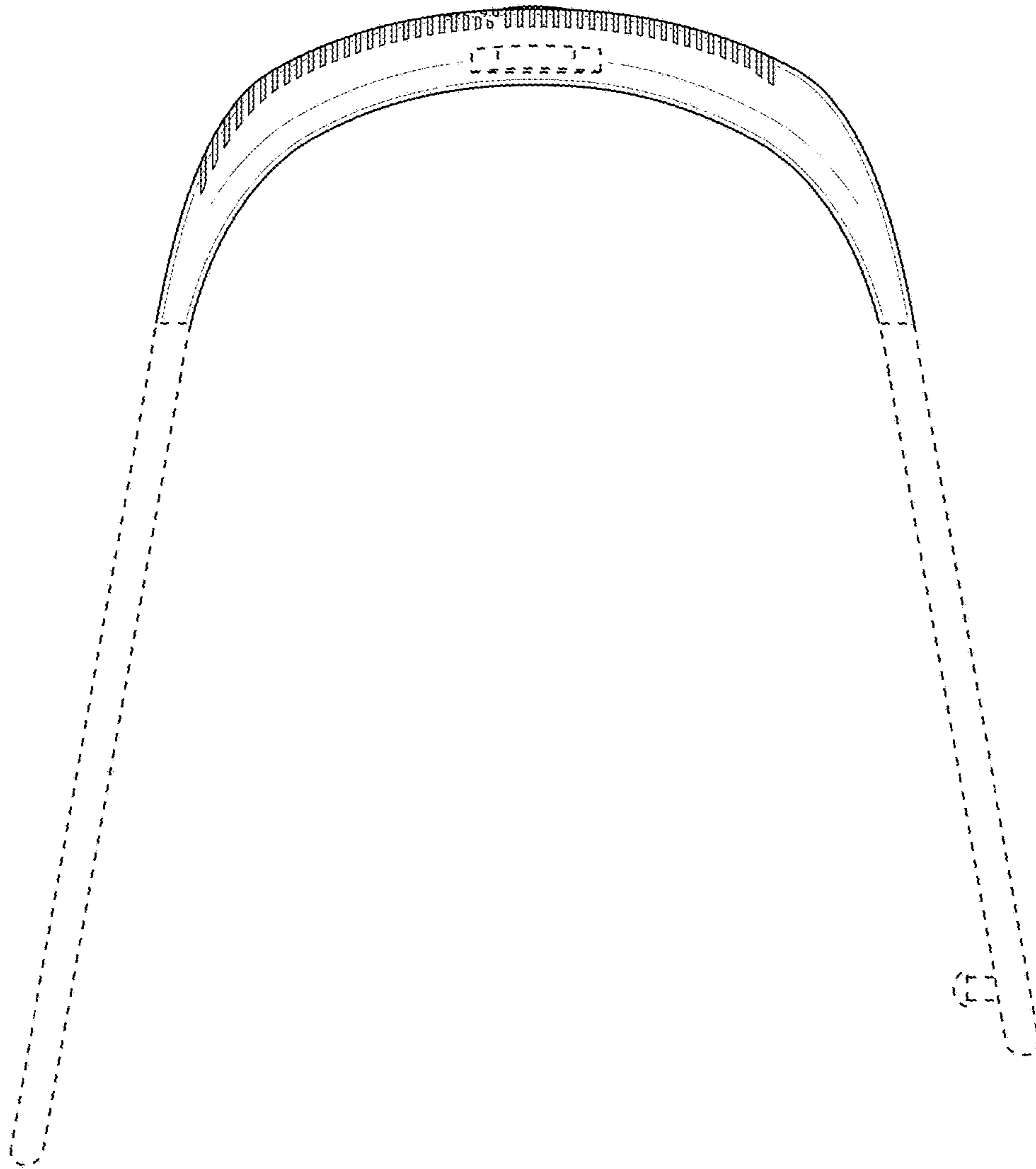
**FIG. 13**



**FIG. 14**

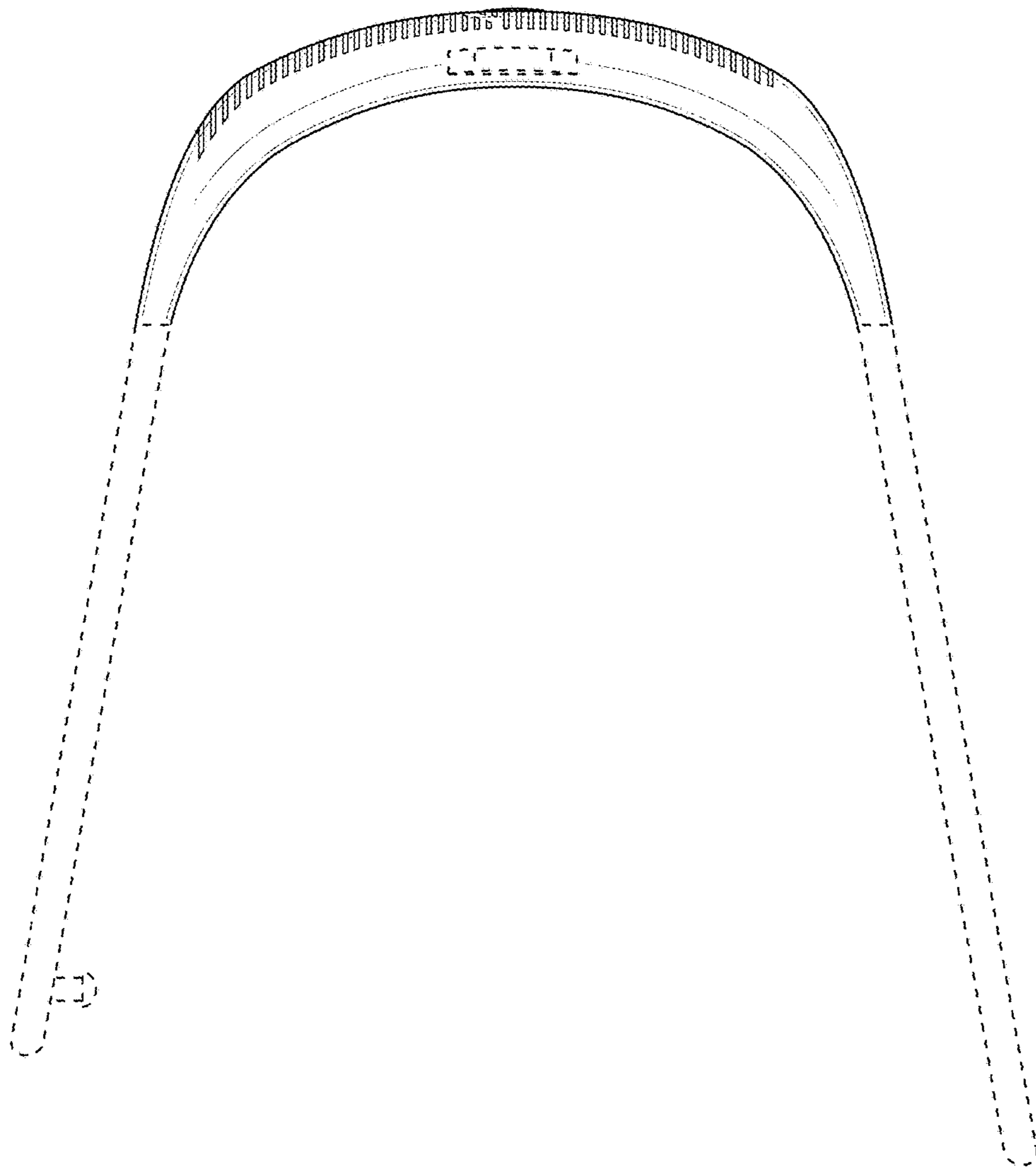


**FIG. 15**

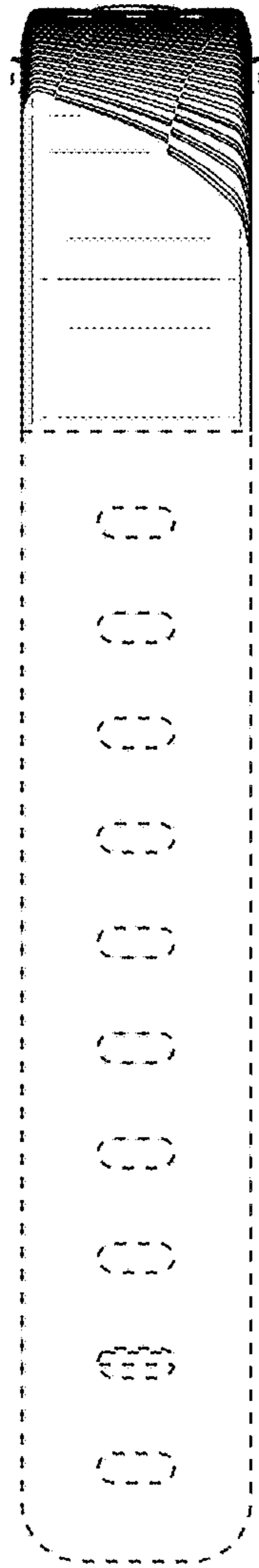


**FIG. 16**

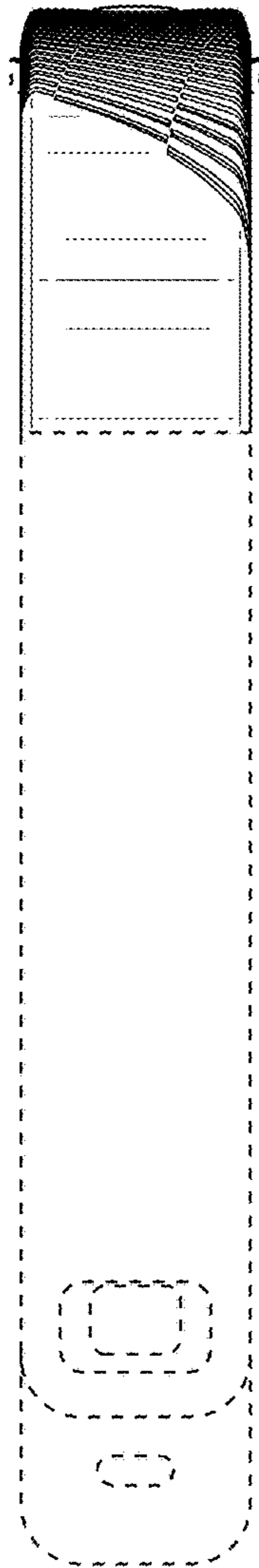




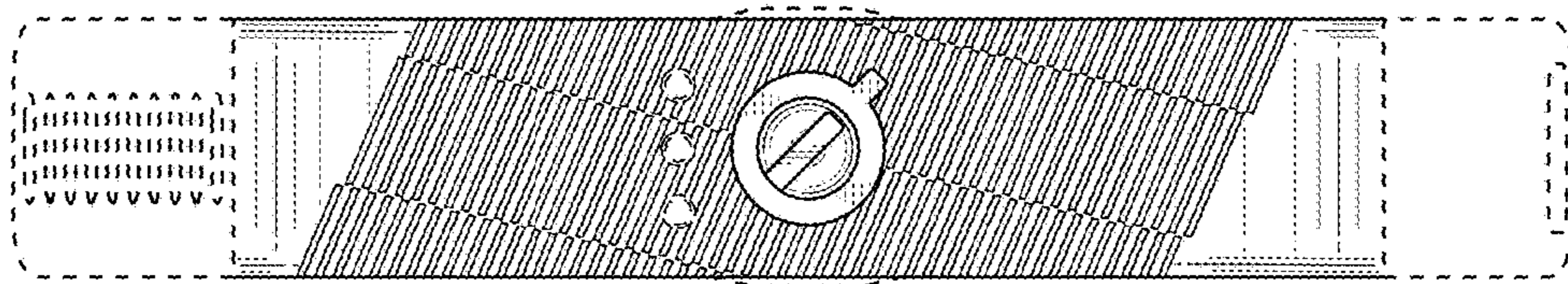
**FIG. 17**



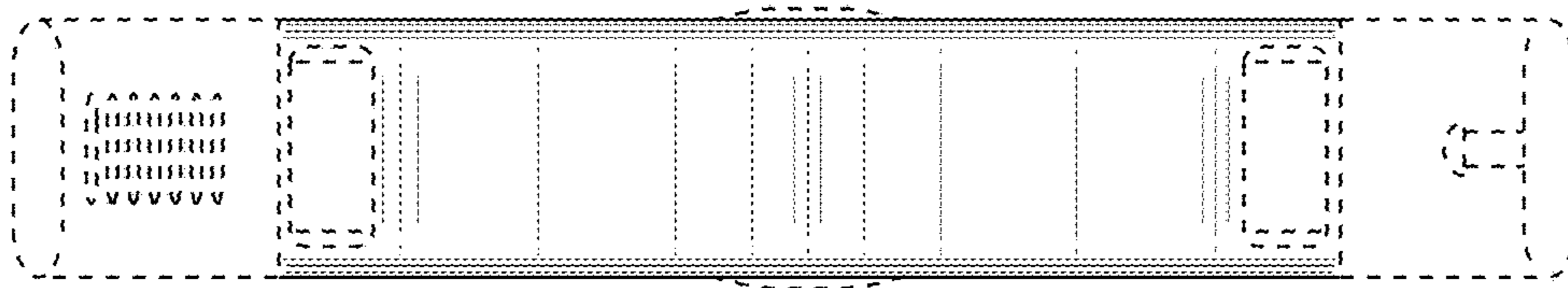
**FIG. 18**



**FIG. 19**

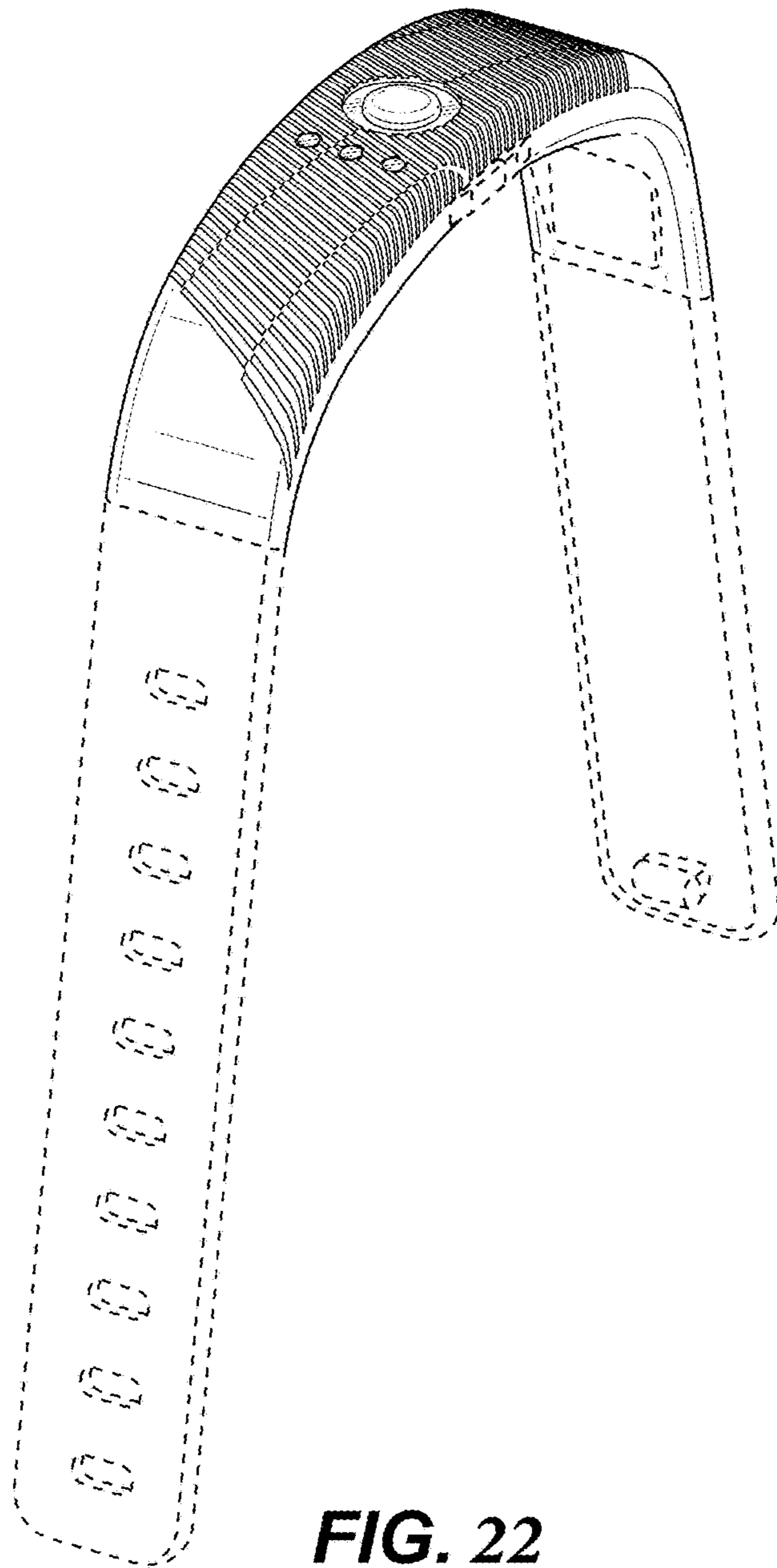


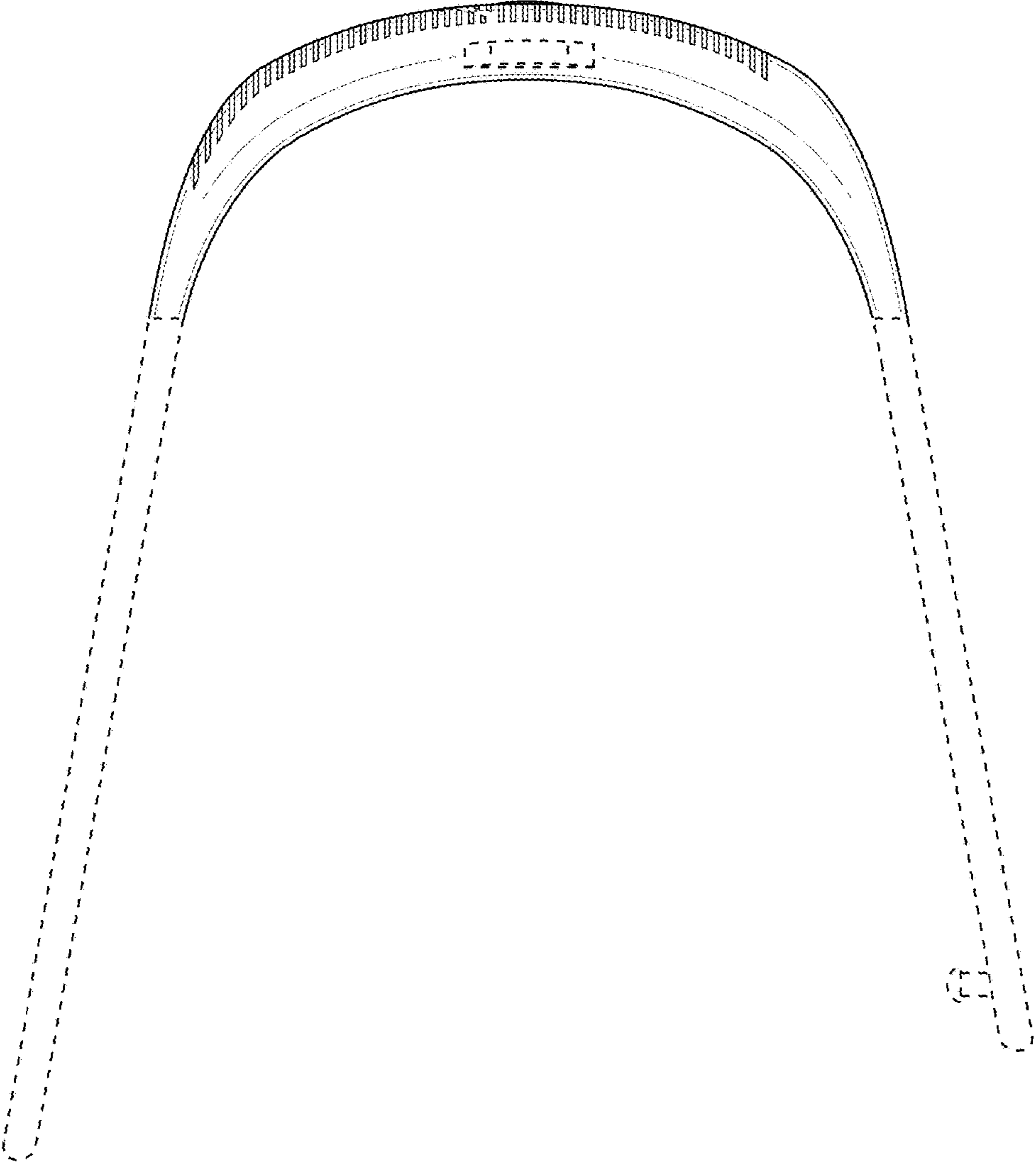
**FIG. 20**



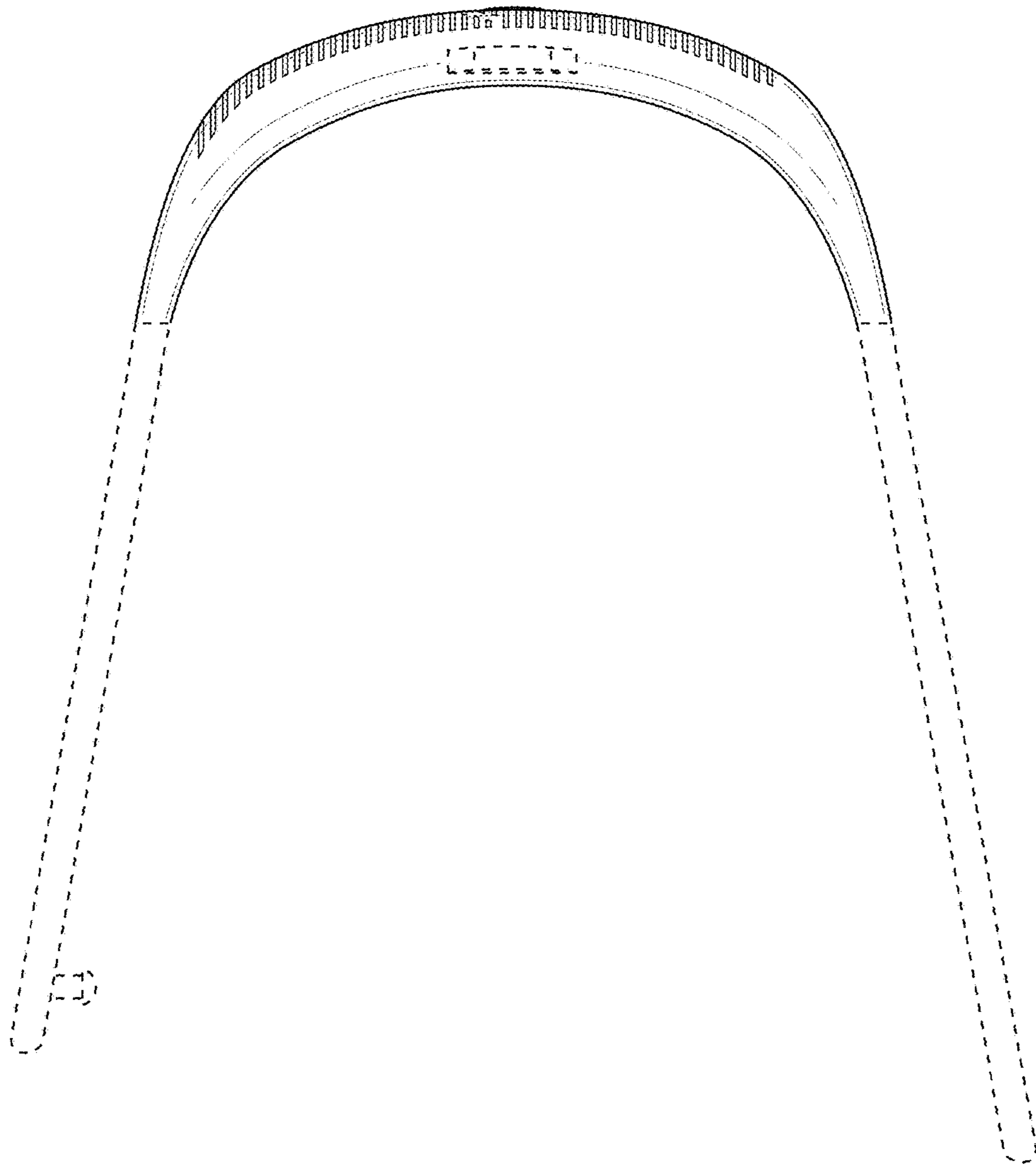
**FIG. 21**



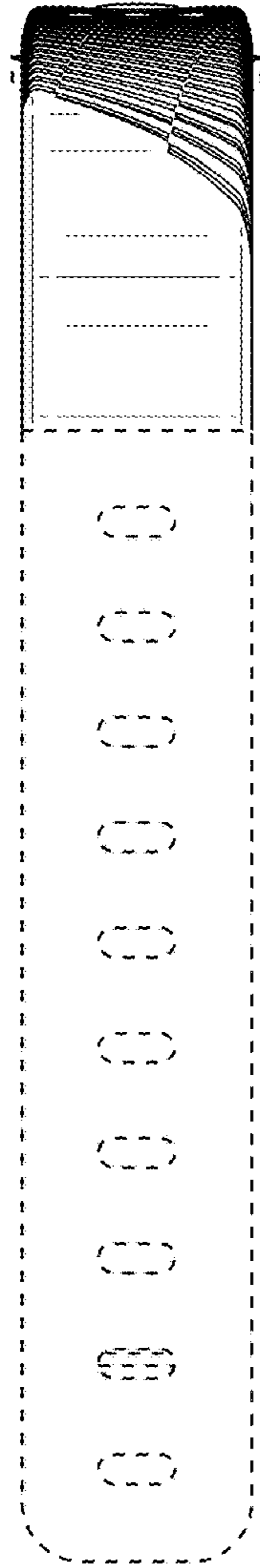




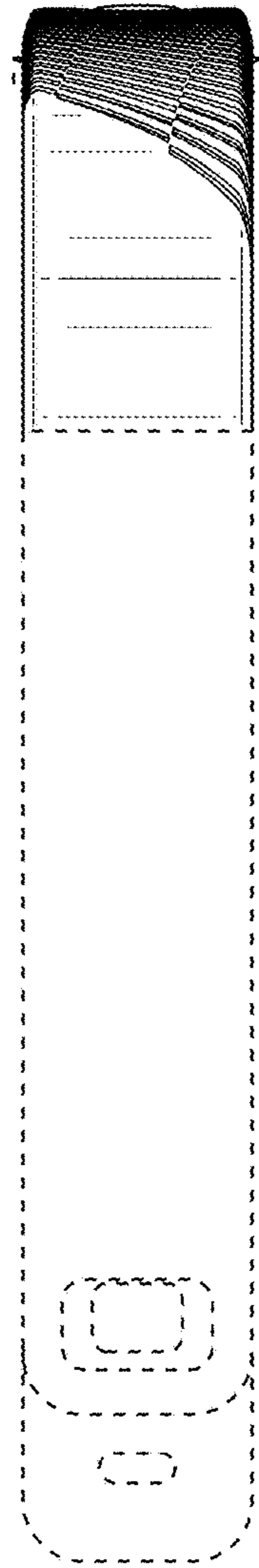
**FIG. 23**



**FIG. 24**

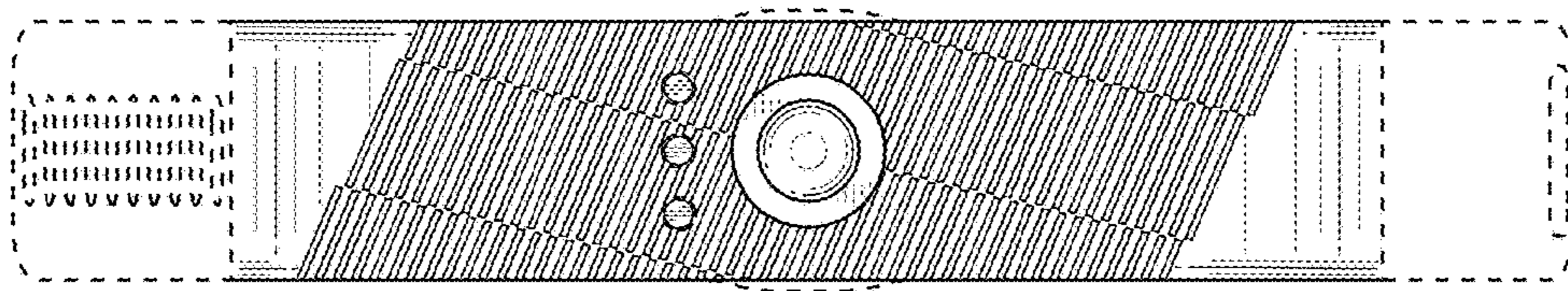


**FIG. 25**

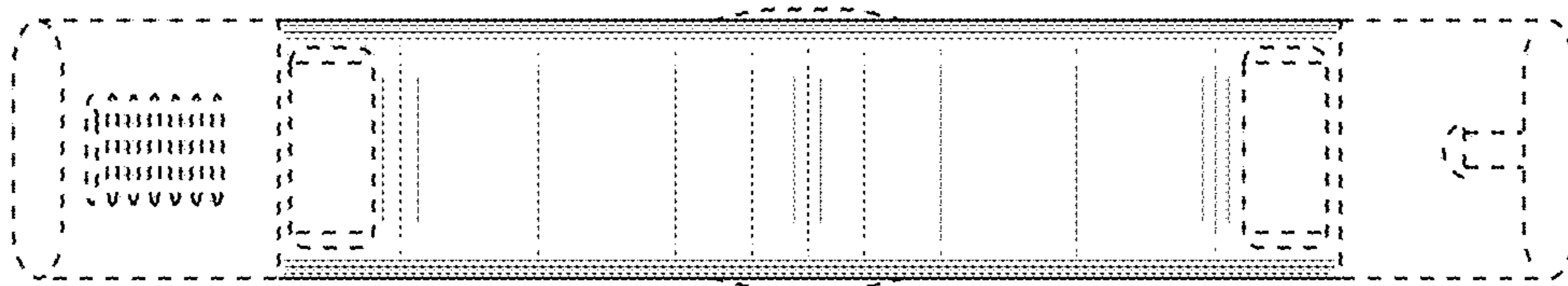


**FIG. 26**





**FIG. 27**



**FIG. 28**