



US00D868778S

(12) **United States Design Patent** (10) **Patent No.:** **US D868,778 S**
Reivo et al. (45) **Date of Patent:** **** Dec. 3, 2019**

(54) **HOUSING OF A WRIST-TOP COMPUTER**

(71) Applicant: **Suunto Oy**, Vantaa (FI)

(72) Inventors: **Tuomas Reivo**, Helsinki (FI); **Timo Yliluoma**, Helsinki (FI); **Antti Kujala**, Helsinki (FI)

(73) Assignee: **Suunto Oy**, Vantaa (FI)

(**) Term: **15 Years**

(21) Appl. No.: **29/606,361**

(22) Filed: **Jun. 3, 2017**

(51) **LOC (12) Cl.** **14-02**

(52) **U.S. Cl.**

USPC **D14/344**

(58) **Field of Classification Search**

USPC .. D14/138 R, 144, 341, 344, 358, 388, 218;
D10/30-39, 70, 98; D11/3, 4, 26, 93-94,
D11/78.1, 79, 86; D24/167, 169,
D24/186-187, 164

CPC A41D 1/002; A41D 19/0034; G06F 1/04;
G06F 1/08; G06F 1/10; G06F 1/14; G06F
1/1626; G06F 1/1628; G06F 1/163; G06F
1/1635; G06F 1/3203; G06Q 20/10;
G06Q 20/12; G06Q 20/108; G06Q
20/145; H04B 1/3833; H04B 1/385;
H04B 1/3888; H04M 1/02; H04M 1/03;
H04M 1/04; H04M 1/05; H04M 1/667;
H04M 1/6058; Y02B 60/1217

See application file for complete search history.

(56) **References Cited**

U.S. PATENT DOCUMENTS

D245,074 S * 7/1977 Karibe D10/124
D326,058 S * 5/1992 Schneider D10/39
D445,343 S * 7/2001 Schneider D10/30

D470,776 S * 2/2003 Blondin D10/30
D613,737 S * 4/2010 Ahlstrom D14/344
D717,682 S * 11/2014 Yliluoma D10/128
D729,638 S * 5/2015 Favre D10/38
D760,576 S * 7/2016 Plato D8/334
D779,976 S * 2/2017 Galli D10/38
D792,244 S * 7/2017 Schaad D10/30
D794,631 S * 8/2017 Solomon D10/38
D796,347 S * 9/2017 Yoshida D10/30
D804,329 S * 12/2017 Sasaki D10/39
D822,508 S * 7/2018 Tonohori D10/38

OTHER PUBLICATIONS

Suunto Spartan Ultra In-Depth Review, posted Oct. 25, 2016, [retrieved Aug. 16, 2019]. Retrieved from Internet, <URL: https://www.dcrainmaker.com/2016/10/suunto-spartan-ultra-review.html >.*

(Continued)

Primary Examiner — Karen E Kearney

Assistant Examiner — Kristin E Reed

(74) *Attorney, Agent, or Firm* — Terence P. O'Brien

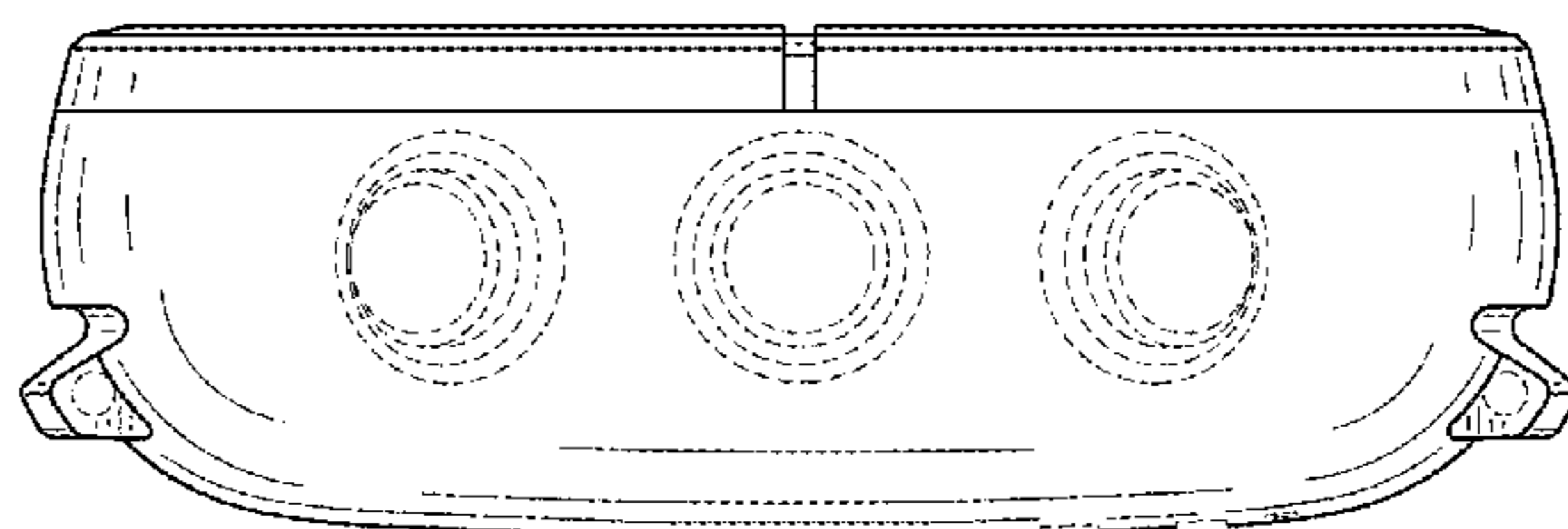
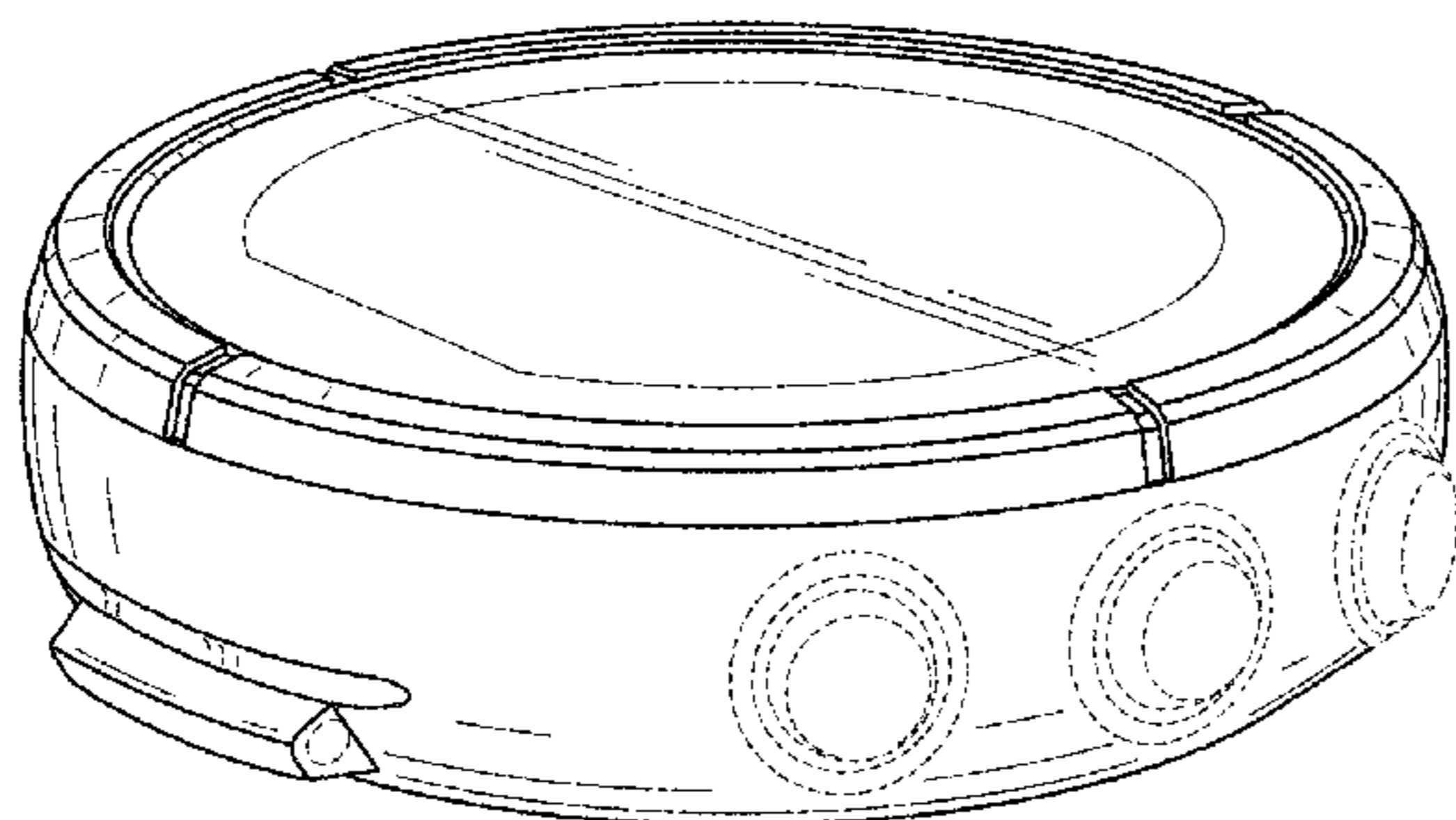
(57) **CLAIM**

We claim the ornamental design for a housing of a wrist-top computer, as shown and described.

DESCRIPTION

FIG. 1 is top, side perspective view of a housing of a wrist-top computer;
FIG. 2 is a first end view of the housing of FIG. 1;
FIG. 3 is a second end view of the housing of FIG. 1;
FIG. 4 is a first side view of the housing of FIG. 1;
FIG. 5 is a second side view of the housing of FIG. 1;
FIG. 6 is a top view of the housing of FIG. 1; and,
FIG. 7 is a bottom view of the housing of FIG. 1.
The broken lines shown in the drawings depict portions of the housing of a wrist-top computer that form no part of the claimed design.

1 Claim, 4 Drawing Sheets



(56)

References Cited

OTHER PUBLICATIONS

Kailash: Suunto unveils smartwatch for avid travelers, posted Oct. 16, 2015, [retrieved Aug. 16, 2019]. Retrieved from Internet, <URL: <http://www.mycoolbin.com/2015/10/16/kailash-suunto-unveils-smartwatch-for-avid-travelers/> >.*

The best running smartwatch: The Suunto Ambit Peak3 Sapphire runs the Rock n'Roll Marathon in Madrid 2015., posted Apr. 29, 2015, [retrieved Aug. 16, 2019]. Retrieved from Internet, <URL: <https://theluxonomist.es/2015/04/29/el-mejor-smartwatch-para-correr/daniel-nicols> >.*

* cited by examiner

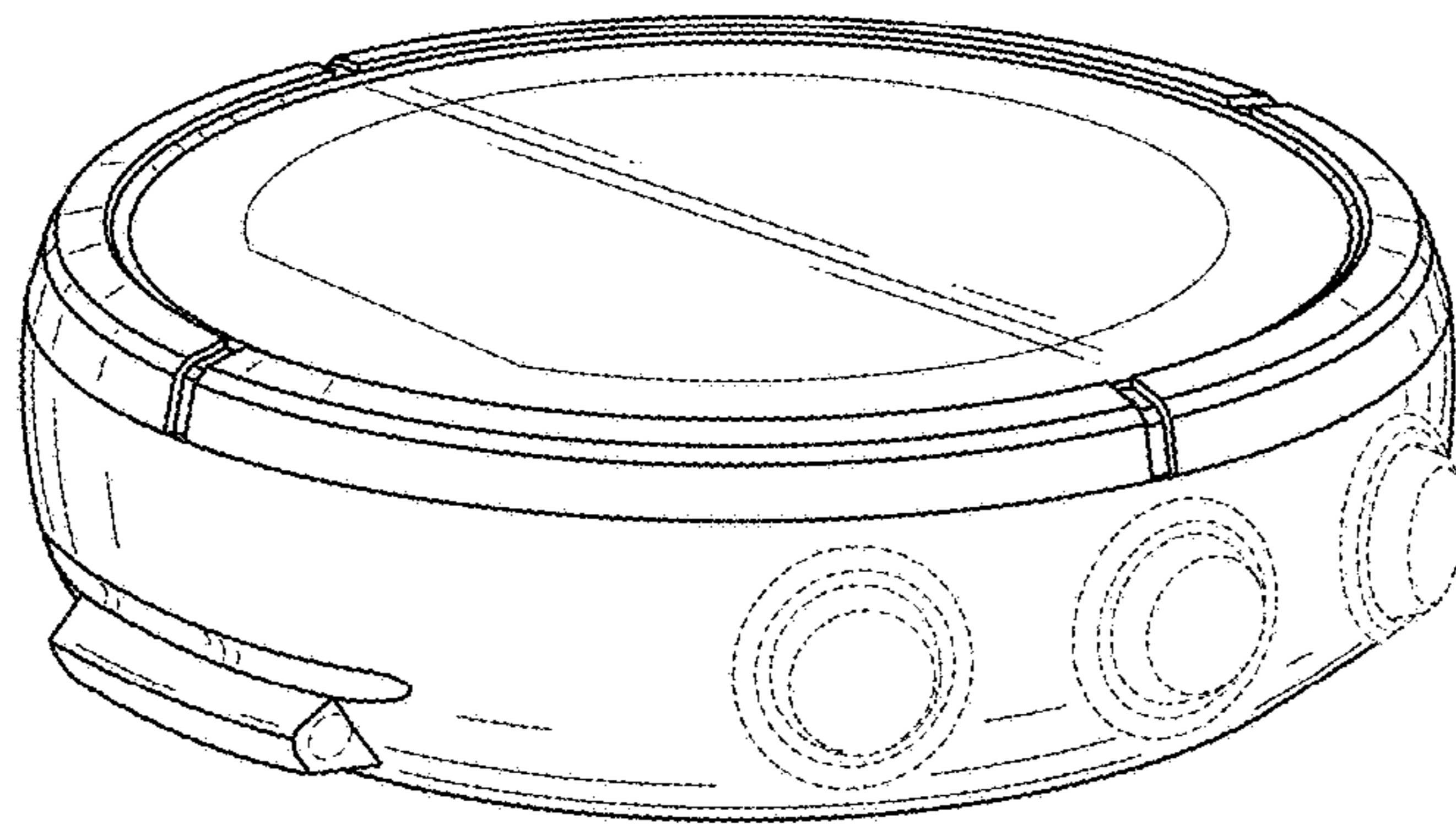


FIG. 1

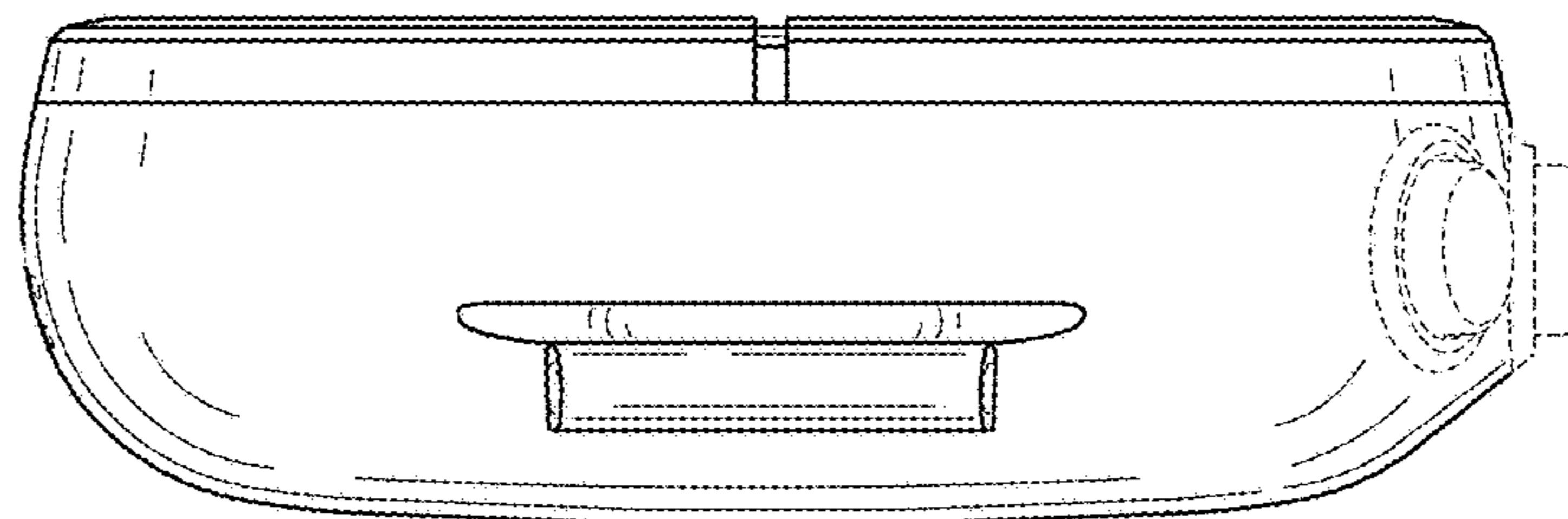


FIG. 2

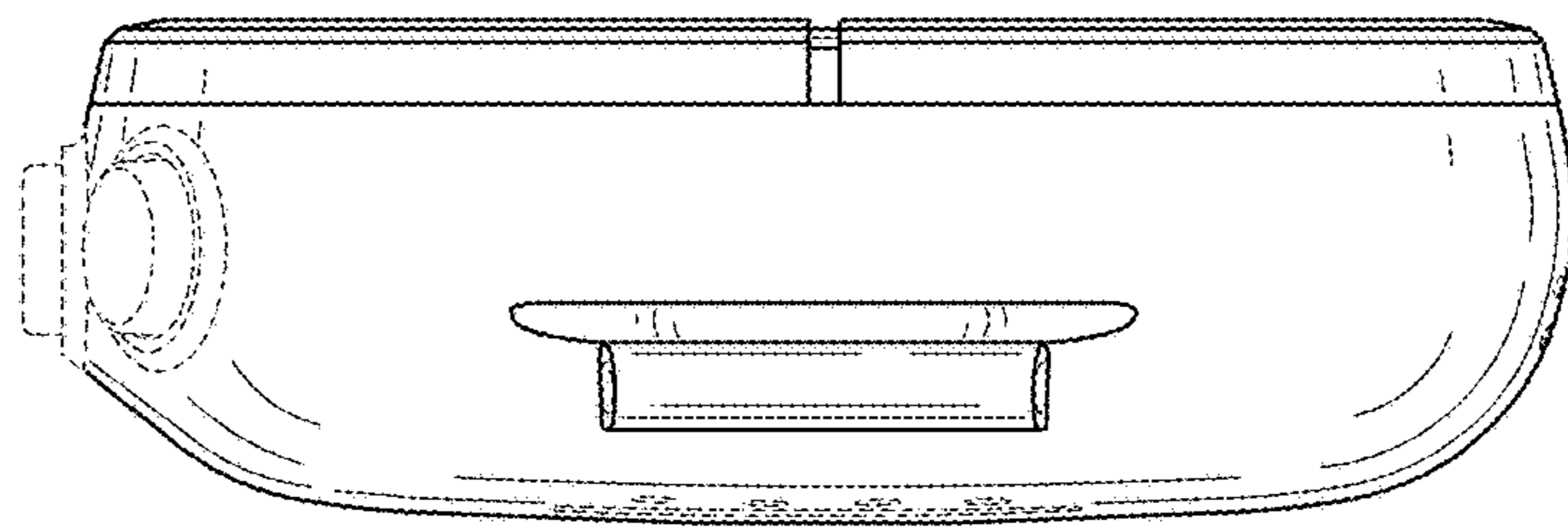


FIG. 3

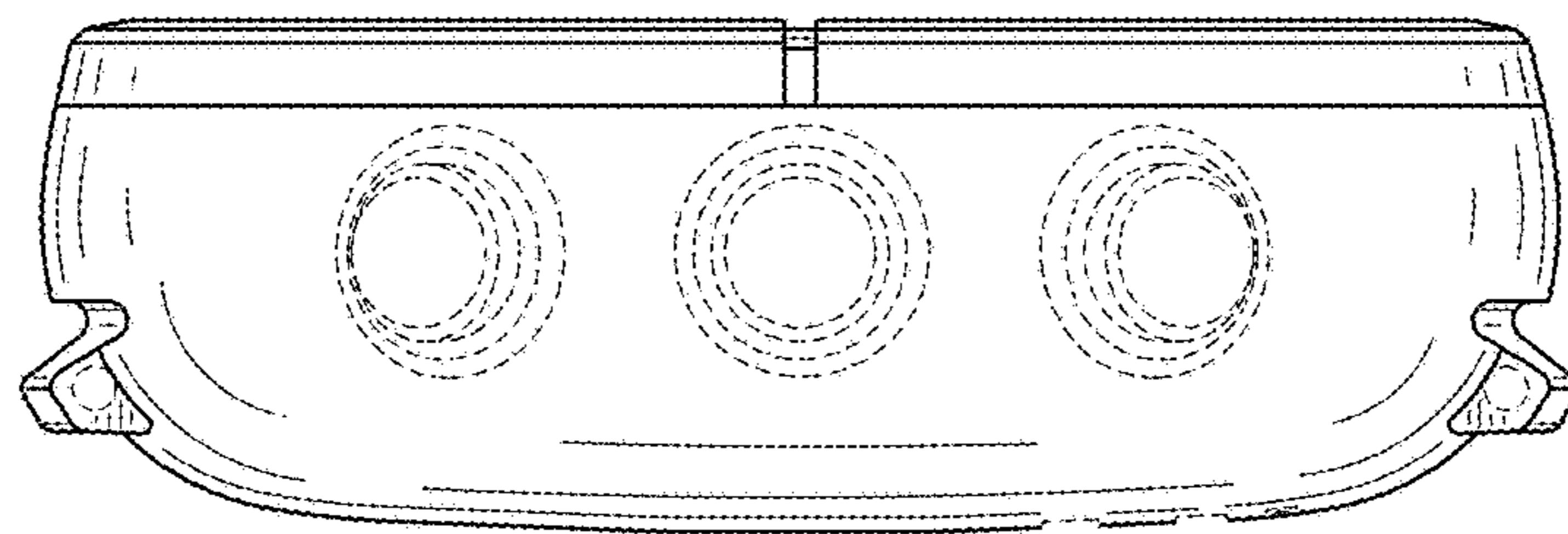


FIG. 4

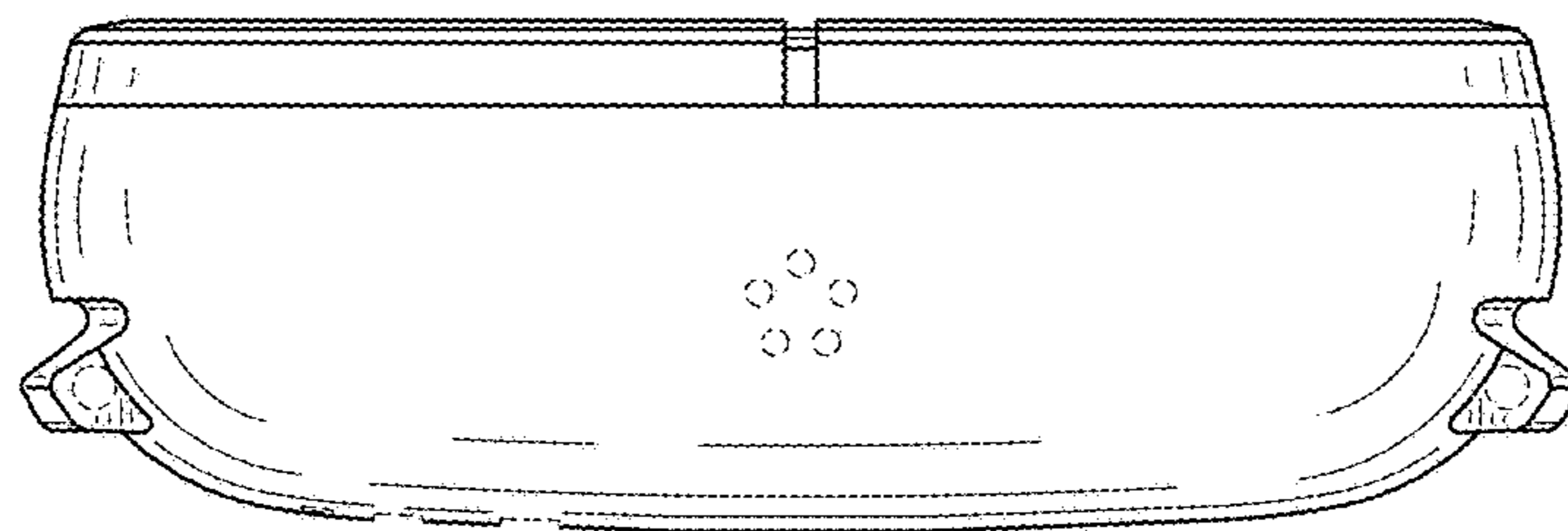


FIG. 5

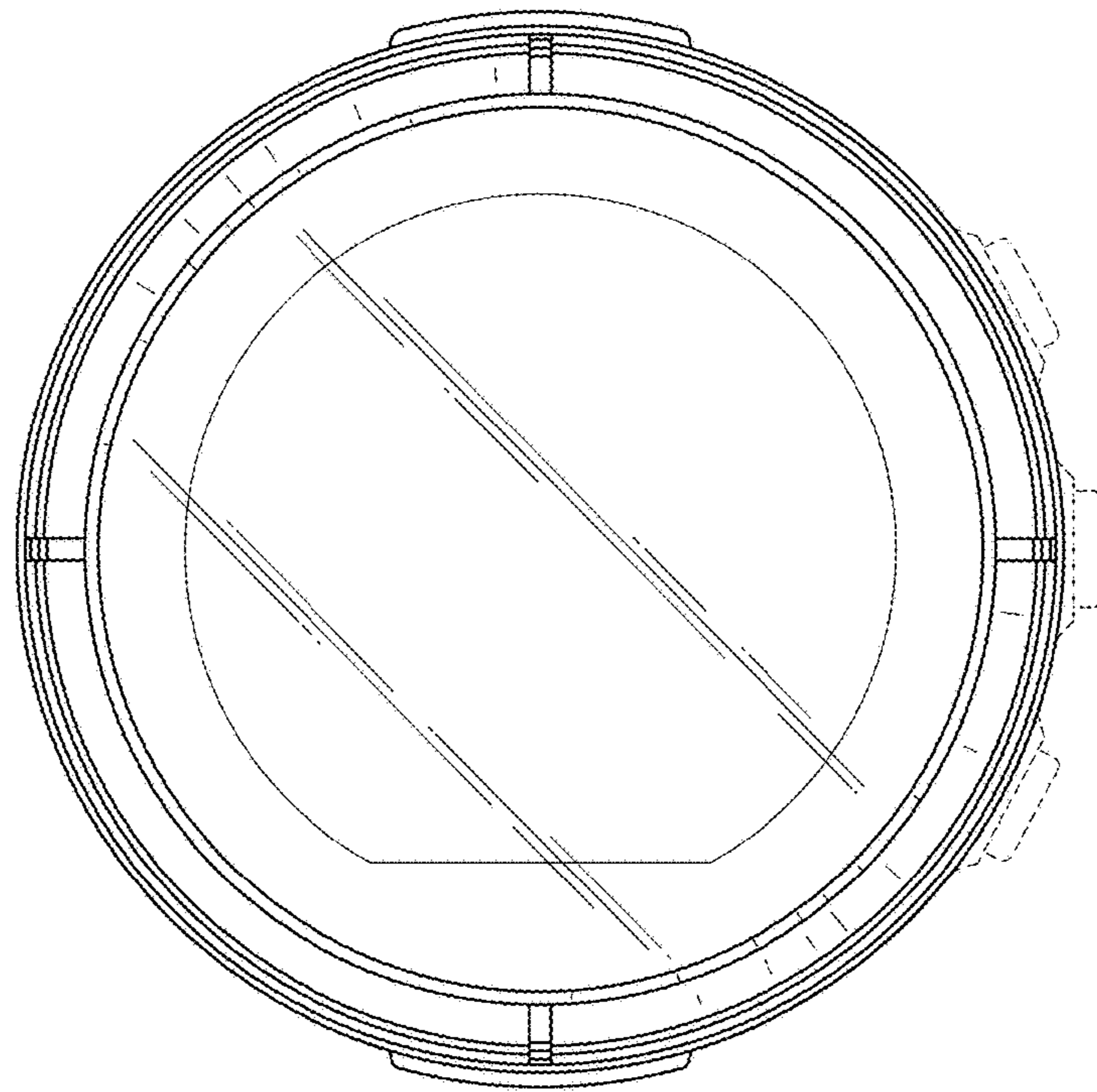


FIG. 6

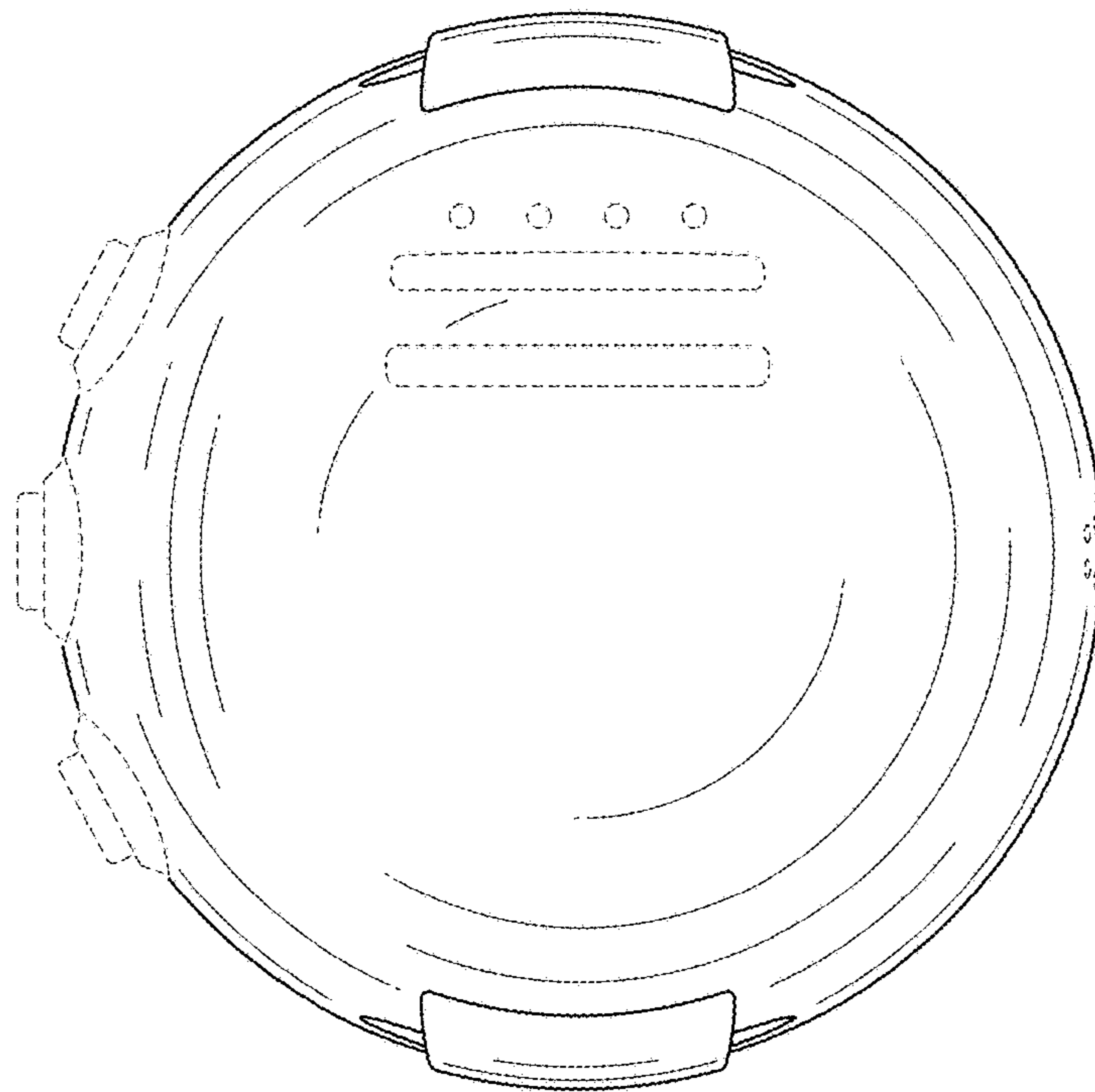


FIG. 7