



US00D868772S

(12) **United States Design Patent**  
**Randall**

(10) **Patent No.:** **US D868,772 S**

(45) **Date of Patent:** **\*\* Dec. 3, 2019**

- (54) **EQUIPMENT CONSOLE**
- (71) Applicant: **Walter Randall**, New York, NY (US)
- (72) Inventor: **Walter Randall**, New York, NY (US)
- (\*\*) Term: **15 Years**
- (21) Appl. No.: **29/597,689**
- (22) Filed: **Mar. 19, 2017**
- (51) **LOC (12) Cl.** ..... **14-02**
- (52) **U.S. Cl.**  
USPC ..... **D14/307**
- (58) **Field of Classification Search**  
USPC ..... D14/302-307, 900-902; D13/163;  
D20/10; D21/332, 325, 369, 370;  
D99/28; D6/397, 466; 194/206;  
361/679.01, 679.02, 679.04, 679.21,  
361/679.57, 725  
CPC ..... G06Q 20/18; G06Q 20/10; G06Q 20/123;  
G06Q 20/20; G06Q 30/02; G06Q 30/06;  
A47F 9/047  
See application file for complete search history.

D563,116 S *	3/2008	Atkins	.....	D14/217
D566,703 S *	4/2008	Malone	.....	D14/307
D607,948 S *	1/2010	de Viveiros Ortiz	.....	D14/307
D782,465 S *	3/2017	Chen	.....	D14/307
D801,329 S *	10/2017	Brown	.....	D14/307
D808,380 S *	1/2018	Dillon	.....	D14/307
D811,381 S *	2/2018	Morohoshi	.....	D14/307
D840,390 S *	2/2019	Mangeot	.....	D14/307
D841,000 S *	2/2019	Matusow	.....	D14/307
D841,643 S *	2/2019	Dillon	.....	D14/307

\* cited by examiner

*Primary Examiner* — Austin Murphy

(57) **CLAIM**

The ornamental design for an equipment console, as shown.

**DESCRIPTION**

FIG. 1 is a perspective view of a equipment console showing first embodiment of my new design;  
 FIG. 2 is a back elevation view thereof;  
 FIG. 3 is a left side Elevation view thereof;  
 FIG. 4 is a right side elevation view thereof;  
 FIG. 5 is a top elevation view thereof;  
 FIG. 6 is a front elevation view thereof;  
 FIG. 7 is a perspective view in open configuration thereof;  
 and,  
 FIG. 8 is a left side elevation view in open configuration thereof.

**1 Claim, 8 Drawing Sheets**

(56) **References Cited**

U.S. PATENT DOCUMENTS

D263,136 S *	2/1982	Gore	.....	D14/339
D424,324 S *	5/2000	Atkins	.....	D6/641
D519,115 S *	4/2006	Lee	.....	D14/307
D563,115 S *	3/2008	Atkins	.....	D14/217

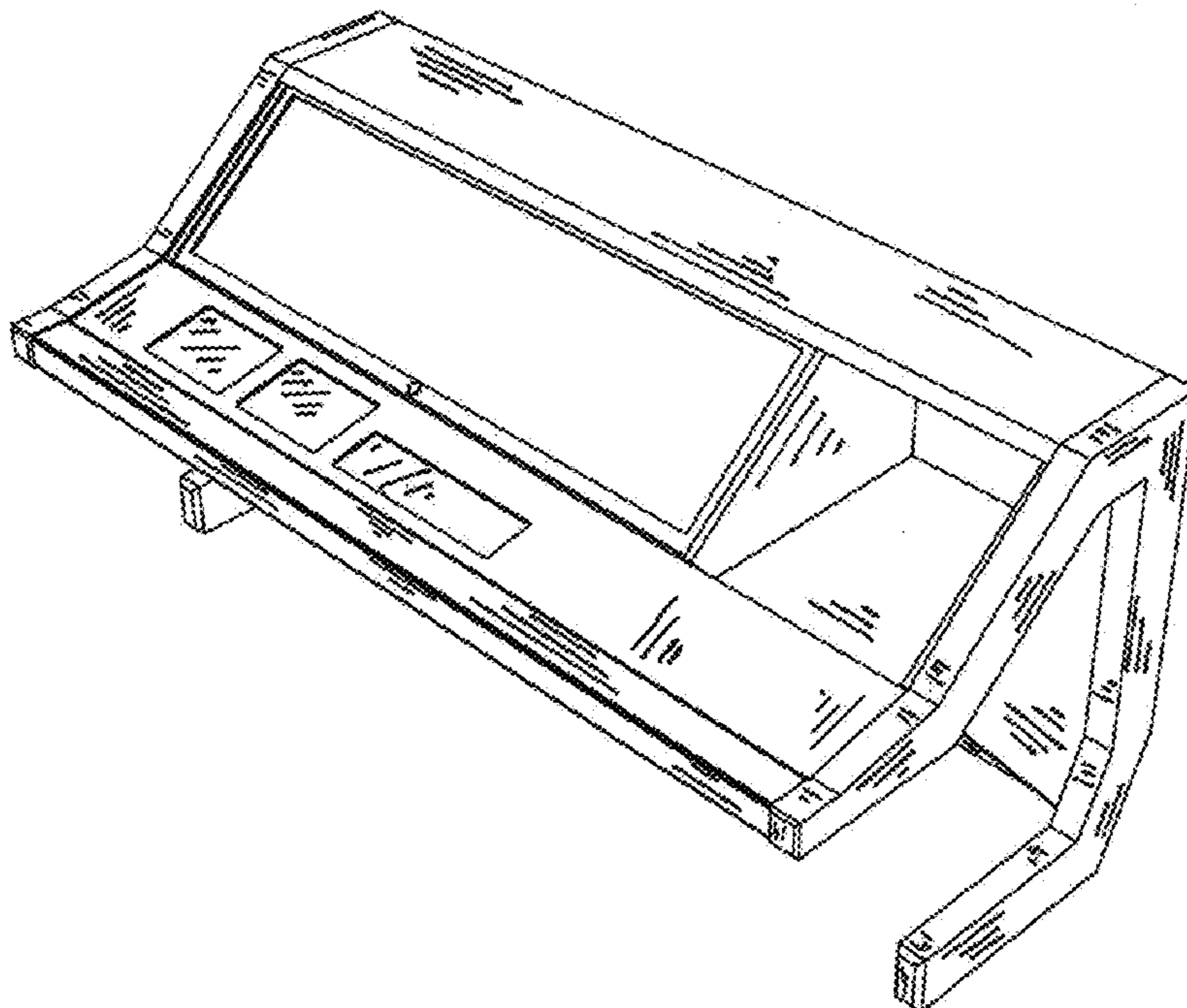


Fig. 1

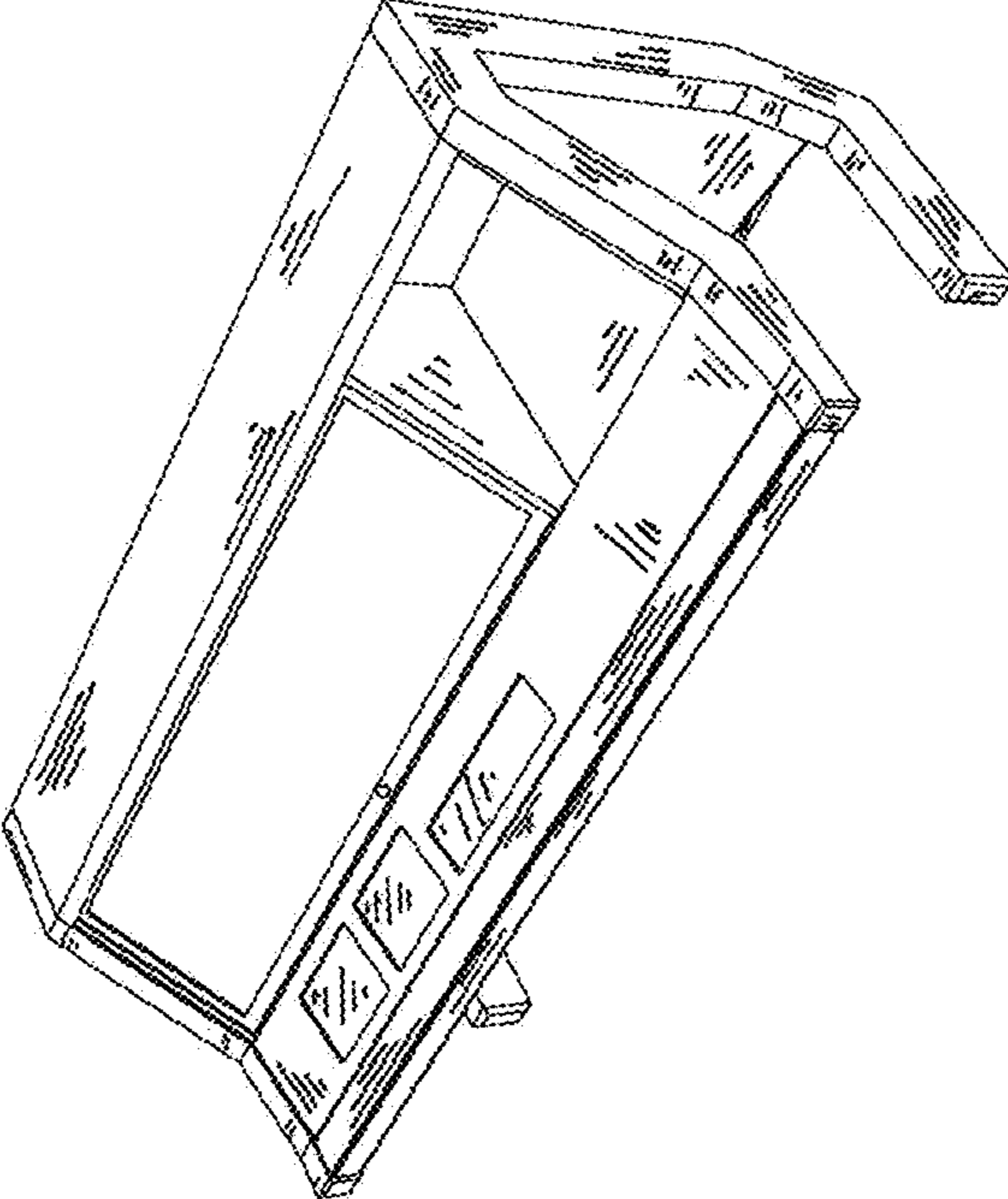


FIG. 2

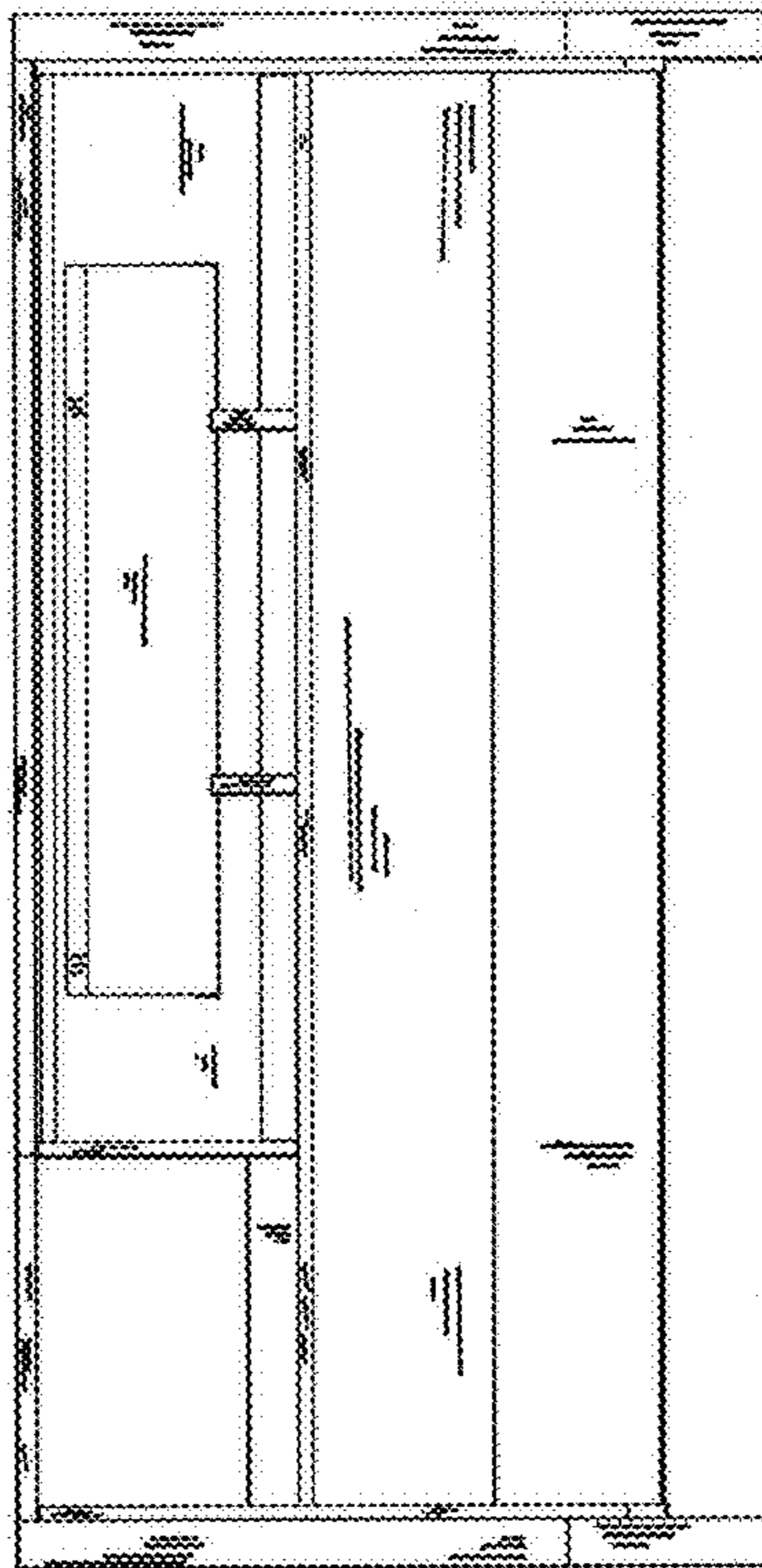


FIG. 3

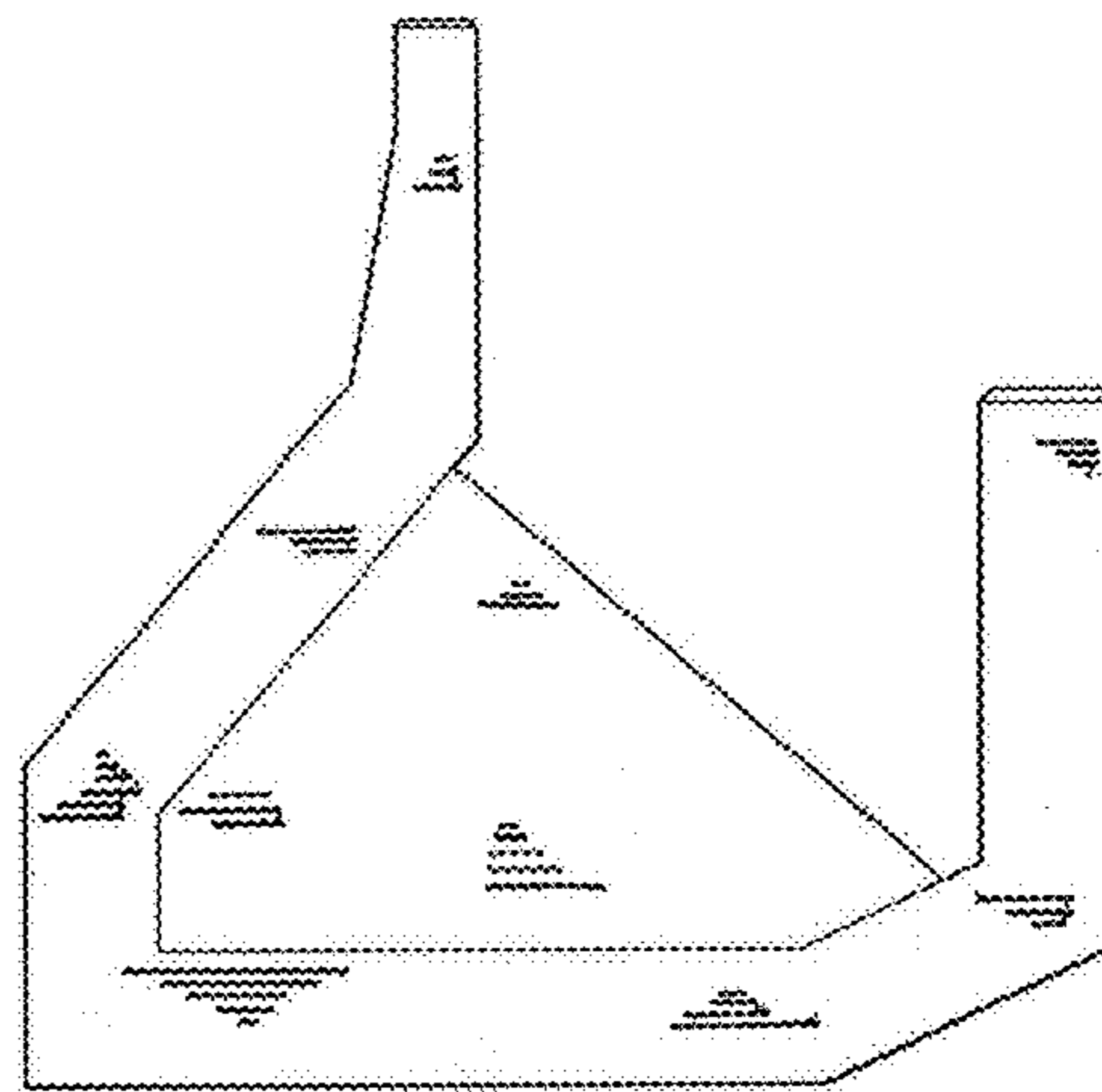


FIG. 4

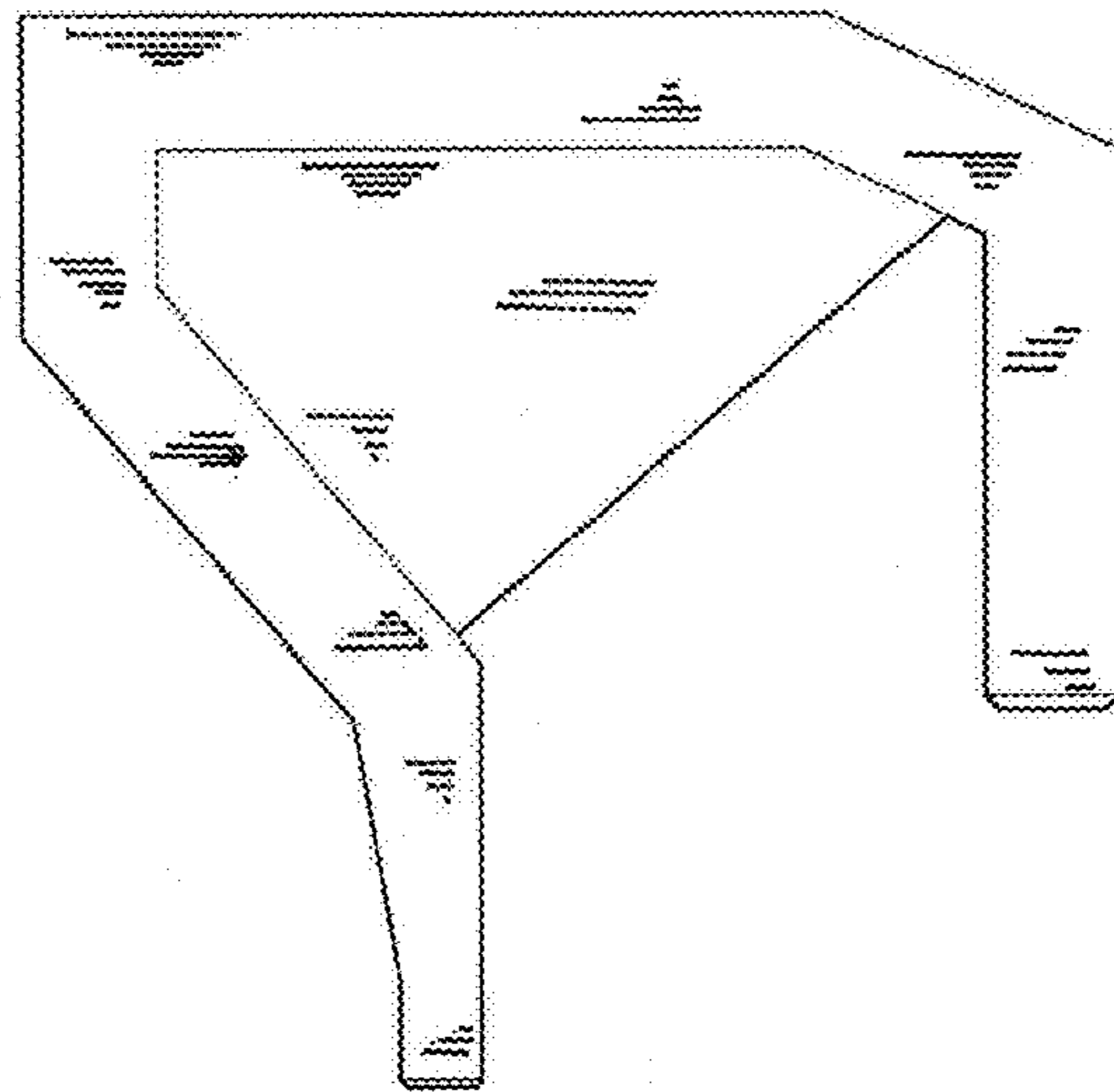


FIG. 5

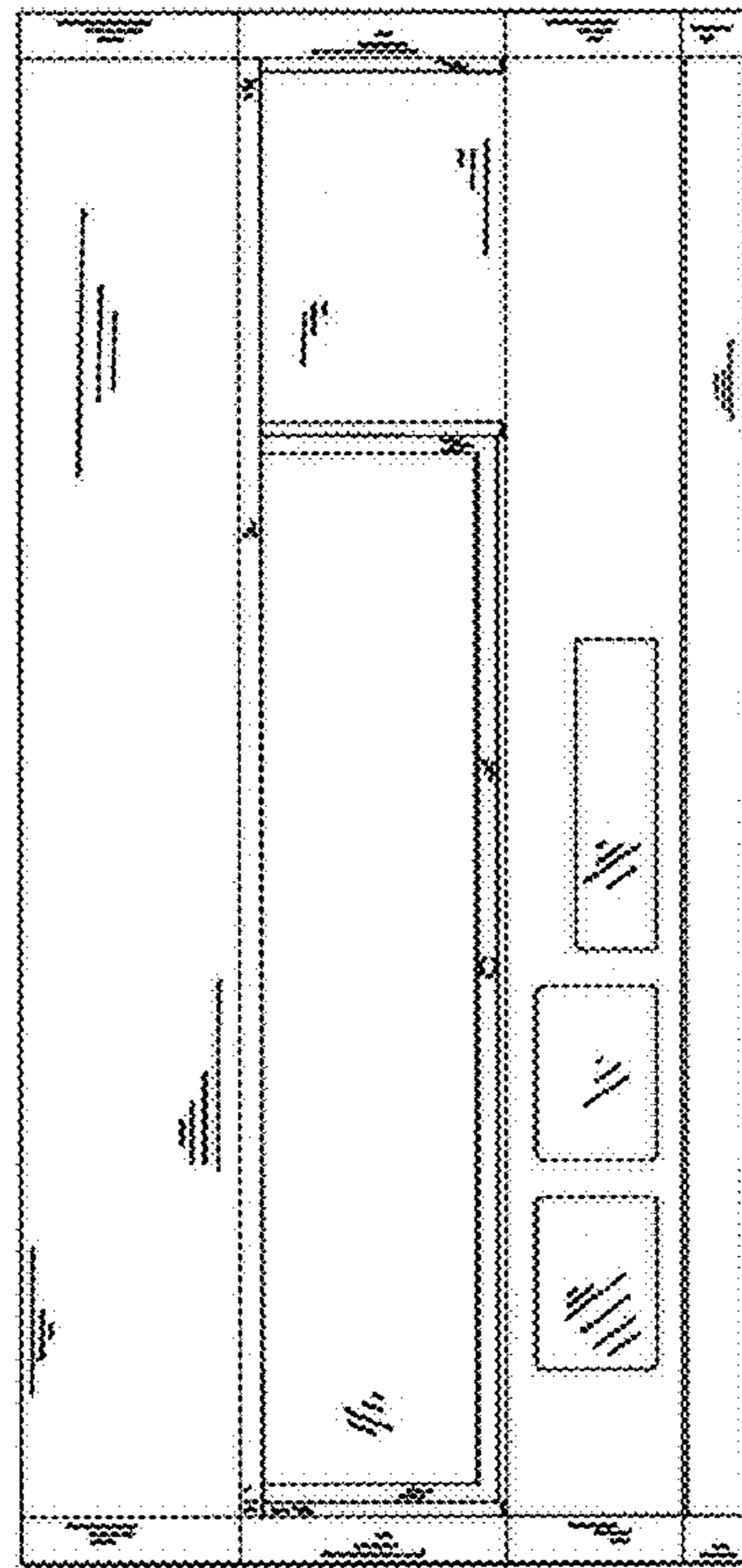


FIG. 6

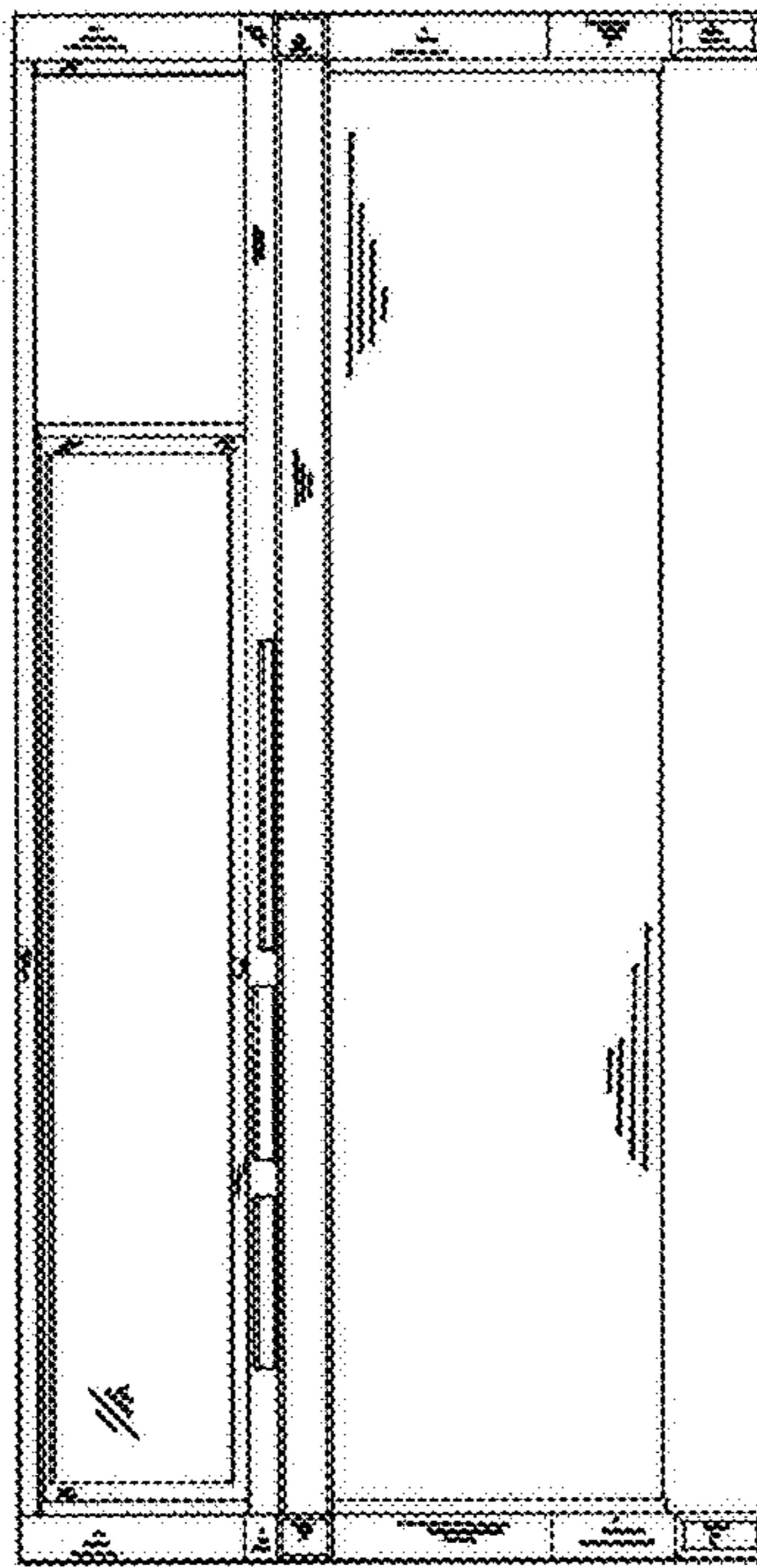


Fig. 7

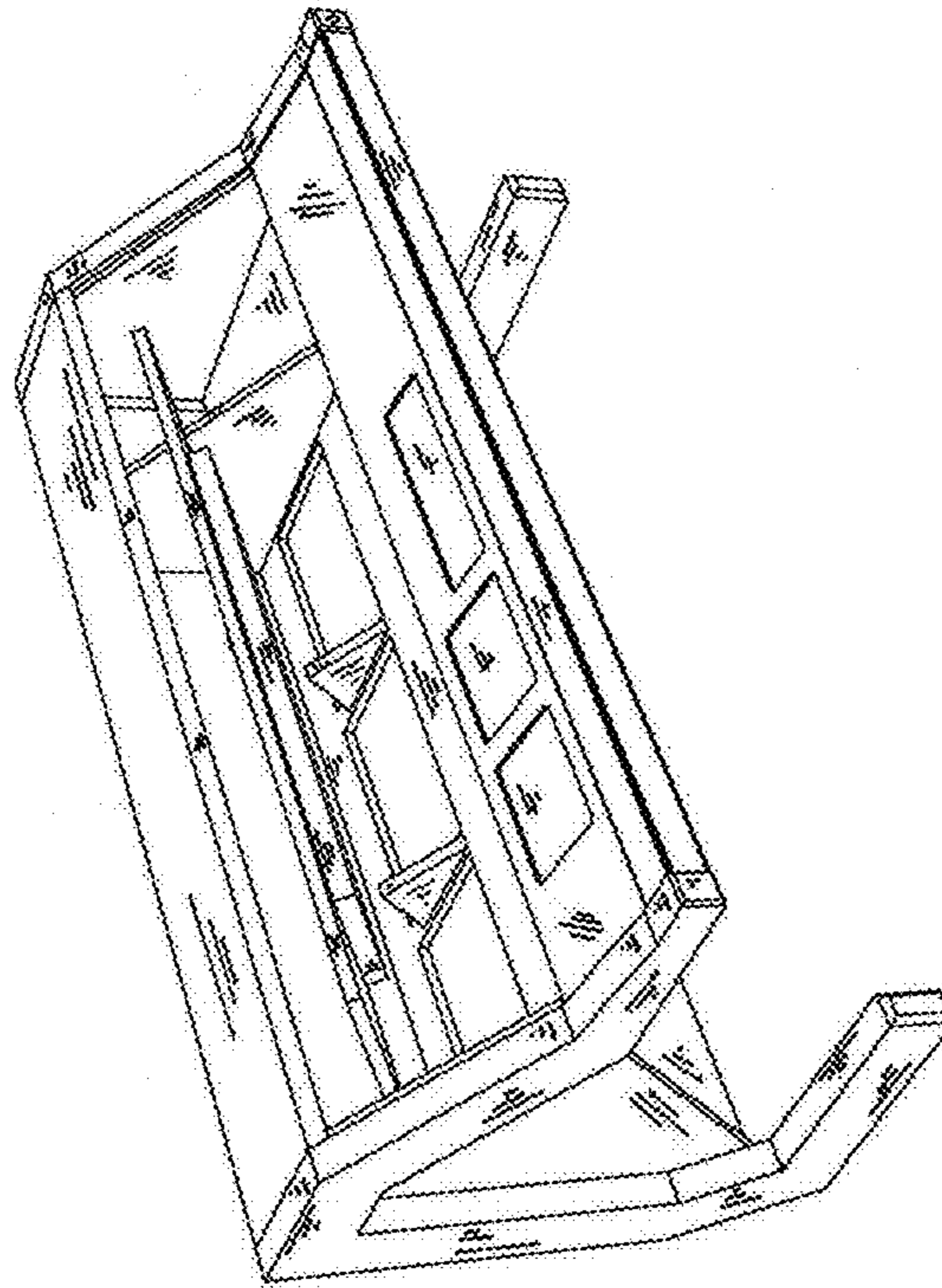




Fig. 8

