



US00D868770S

(12) **United States Design Patent** (10) **Patent No.:** **US D868,770 S**
Hohman et al. (45) **Date of Patent:** **** Dec. 3, 2019**

(54) **ELECTRONIC DEVICE HOLDER**
(71) Applicant: **Hold Still Inc.**, Brooklyn, NY (US)
(72) Inventors: **Thomas Hohman**, Richmond, VA (US);
Omar Elsayed, Brooklyn, NY (US);
Russell Armand Catalusci, Los Angeles, CA (US); **Mitchell Bennett**, Brooklyn, NY (US); **Blake Garrett Fuselier**, New York, NY (US)
(73) Assignee: **Hold Still Inc.**, Brooklyn, NY (US)
(**) Term: **15 Years**
(21) Appl. No.: **29/633,002**
(22) Filed: **Jan. 11, 2018**
(51) **LOC (12) Cl.** **14-99**
(52) **U.S. Cl.**
USPC **D14/253**; D14/447; D16/242
(58) **Field of Classification Search**
USPC D14/251–254, 125, 137, 140–140.9, 155, D14/167, 168, 172, 188, 194, D14/203.1–203.8, 204, 207, 209.1, 216, D14/217, 221, 224, 224.1, 238.1, 239, D14/240, 242, 299, 348, 349, 356–358, D14/432, 433, 434, 447, 451–452, 474, D14/483, 496, 497; D10/104.1, D10/106.1–106.9; D13/108, 110, 123, D13/158, 162, 168, 184; D21/333, 483, D21/513; D16/202–203, 242
CPC B60R 11/00; B60R 11/02; B60R 11/0241; B60R 11/0252; B60R 2011/0005; B60R 2011/0008; H04M 1/026; H04M 1/0266; H04B 1/38; H04B 1/3877; A45F 2200/0516; A45F 2200/0525; H05K 5/0204; F16M 13/02; F16M 13/022; F16M 13/04; F16M 11/04; F16M 11/041; F16B 2/12; H01F 7/0252; G03B 17/561; G03B 17/563
See application file for complete search history.

(56) **References Cited**
U.S. PATENT DOCUMENTS
D98,769 S * 3/1936 Horwitt D10/15
D224,233 S * 7/1972 Fujita D14/371
D225,866 S * 1/1973 Fujita D14/162
D259,084 S * 5/1981 Stahel, II D19/77
D395,715 S * 6/1998 Queen D26/24
(Continued)

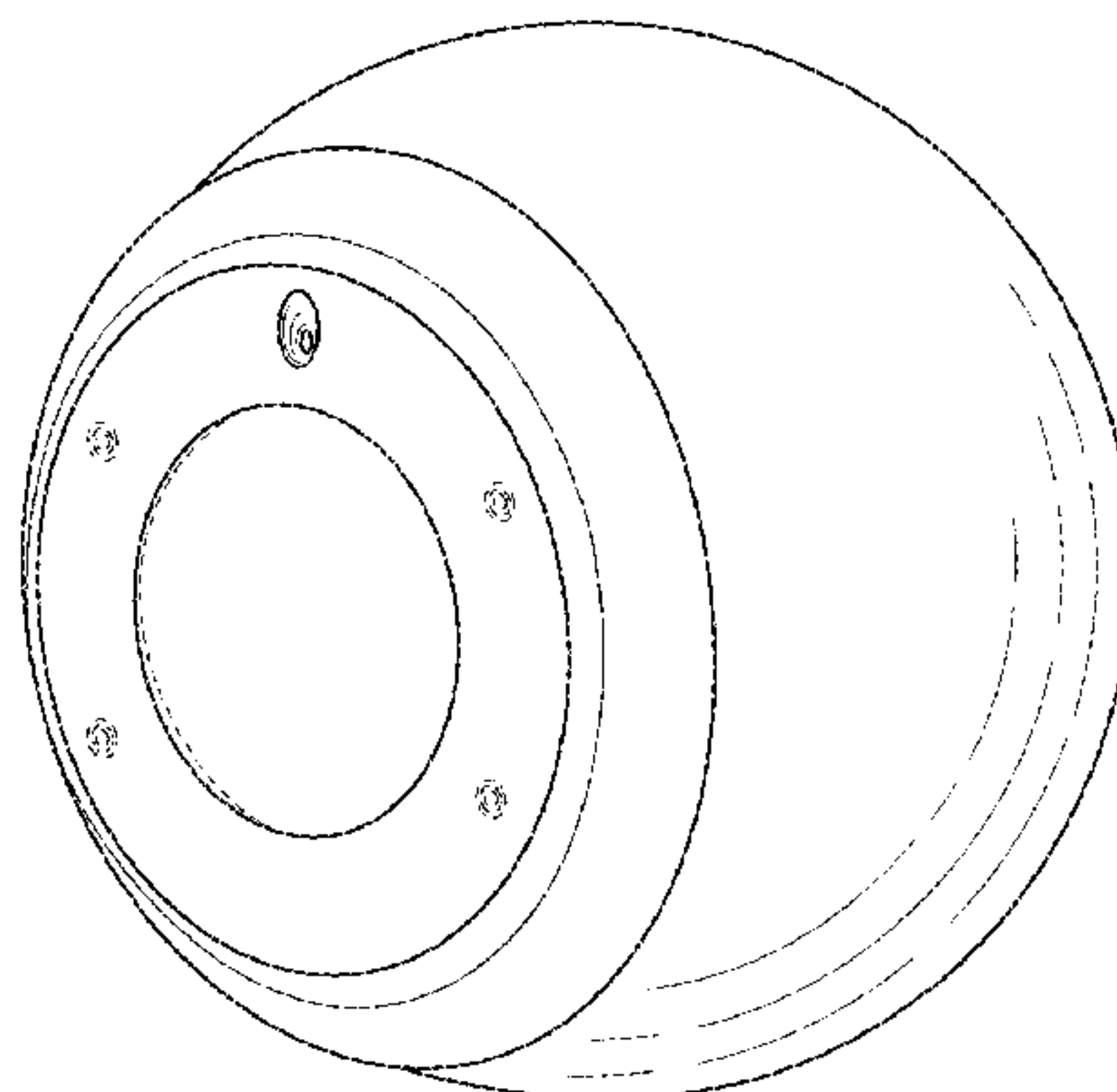
OTHER PUBLICATIONS
Hypno Eye, online, post date Jan. 10, 2018, URL: <https://vimeo.com/250475512>, retrieved May 24, 2019.*
(Continued)

Primary Examiner — Jeffrey D Asch
Assistant Examiner — Rebekah A Caruso
(74) *Attorney, Agent, or Firm* — Amster, Rothstein & Ebenstein LLP

(57) **CLAIM**
The ornamental design for an electronic device holder, as shown and described.

DESCRIPTION
FIG. 1 is a perspective view of an electronic device holder showing our new design;
FIG. 2 is a front view thereof;
FIG. 3 is a rear view thereof;
FIG. 4 is a side view thereof;
FIG. 5 is an opposite side view thereof;
FIG. 6 is a top view thereof; and,
FIG. 7 is a bottom view thereof.
The broken lines illustrate portions of the electronic device holder that form no part of the claimed design. The partially visible broken line in FIG. 1 illustrates a continuous inner edge of a central opening, wherein the broken line and the interior space beyond the broken line form no part of the claimed design.

1 Claim, 4 Drawing Sheets



(56)

References Cited

U.S. PATENT DOCUMENTS

D460,920 S * 7/2002 Kalman D10/22
D460,952 S * 7/2002 Kataoka D14/126
D541,228 S * 4/2007 Thursfield D13/168
D554,682 S * 11/2007 Martinez D16/203
D572,196 S * 7/2008 Rohlf D13/133
D645,846 S * 9/2011 Mordechai D14/216
D649,175 S * 11/2011 Willis D16/242
D678,929 S * 3/2013 Hancock D16/202
D693,814 S * 11/2013 Park D14/434
D701,831 S * 4/2014 Park D13/108
D705,844 S * 5/2014 Bart D16/203
D719,208 S * 12/2014 Mohan D16/203
D733,690 S * 7/2015 Zukowski D14/228
D770,415 S * 11/2016 Pellisari D14/216
D774,013 S * 12/2016 Kusumoto D14/126
9,521,301 B2 * 12/2016 Bart H04N 5/2252
D790,620 S * 6/2017 Lee D16/202
D794,106 S * 8/2017 Wang D16/203
D810,804 S * 2/2018 Borel D16/203
D827,698 S * 9/2018 Zhang D16/242
D830,443 S * 10/2018 Borel D16/203
D832,907 S * 11/2018 Jeong D16/203
D833,503 S * 11/2018 Hollinger D16/203
D836,151 S * 12/2018 Chang D16/210
D836,698 S * 12/2018 Hathway D16/203
D846,869 S * 4/2019 van Langen D3/201
D849,080 S * 5/2019 Rosenberg D16/202

OTHER PUBLICATIONS

Digital Magic 8 Ball: 8 Steps, DIY Hacks and How Tos, online,
YouTube video post date Jul. 29, 2013 URL: <https://www.instructables.com/id/Digital-Magic-8-Ball/> , retrieved Sep. 24, 2019.*

* cited by examiner

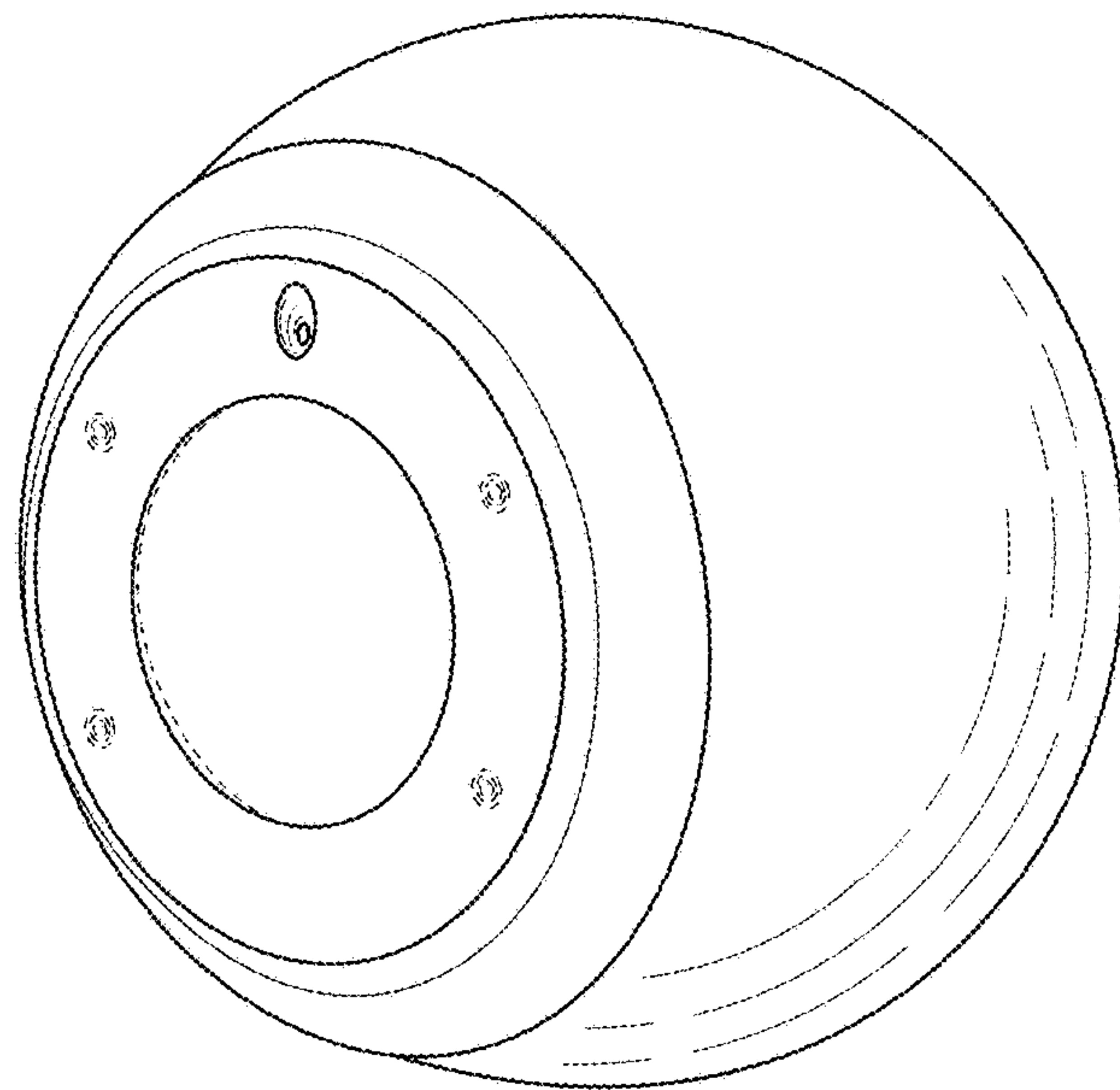


FIG. 1

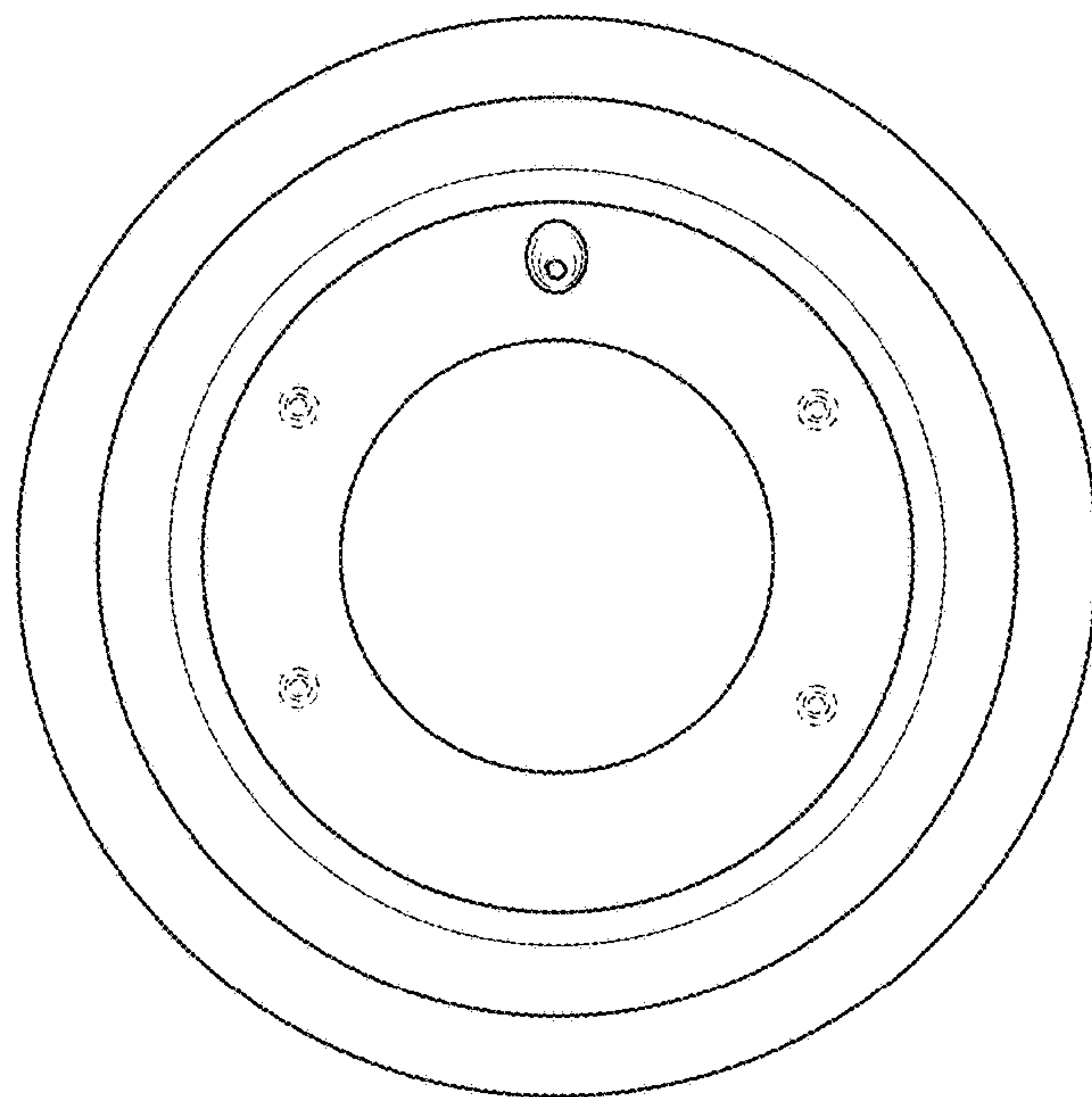


FIG. 2

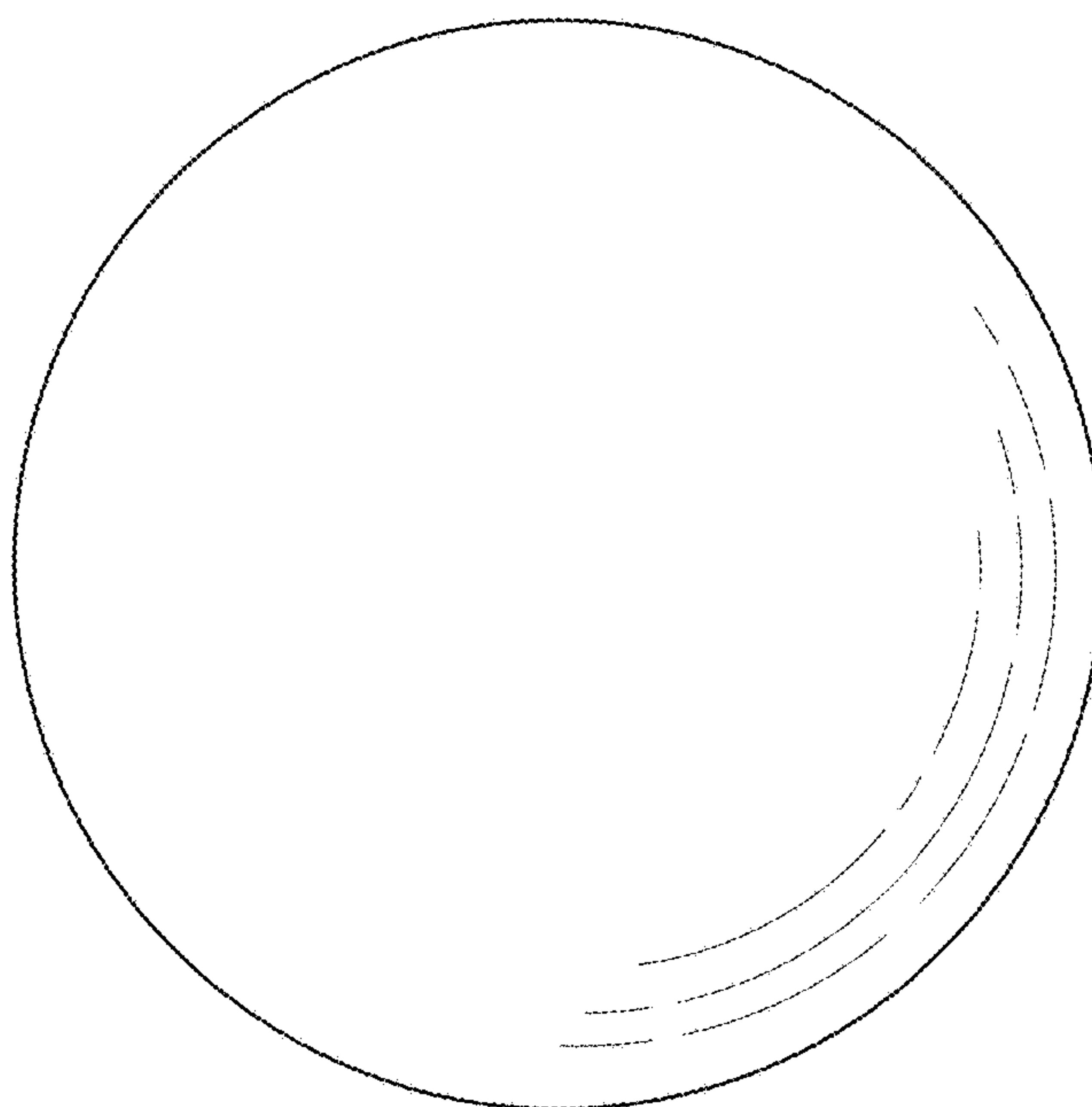


FIG. 3

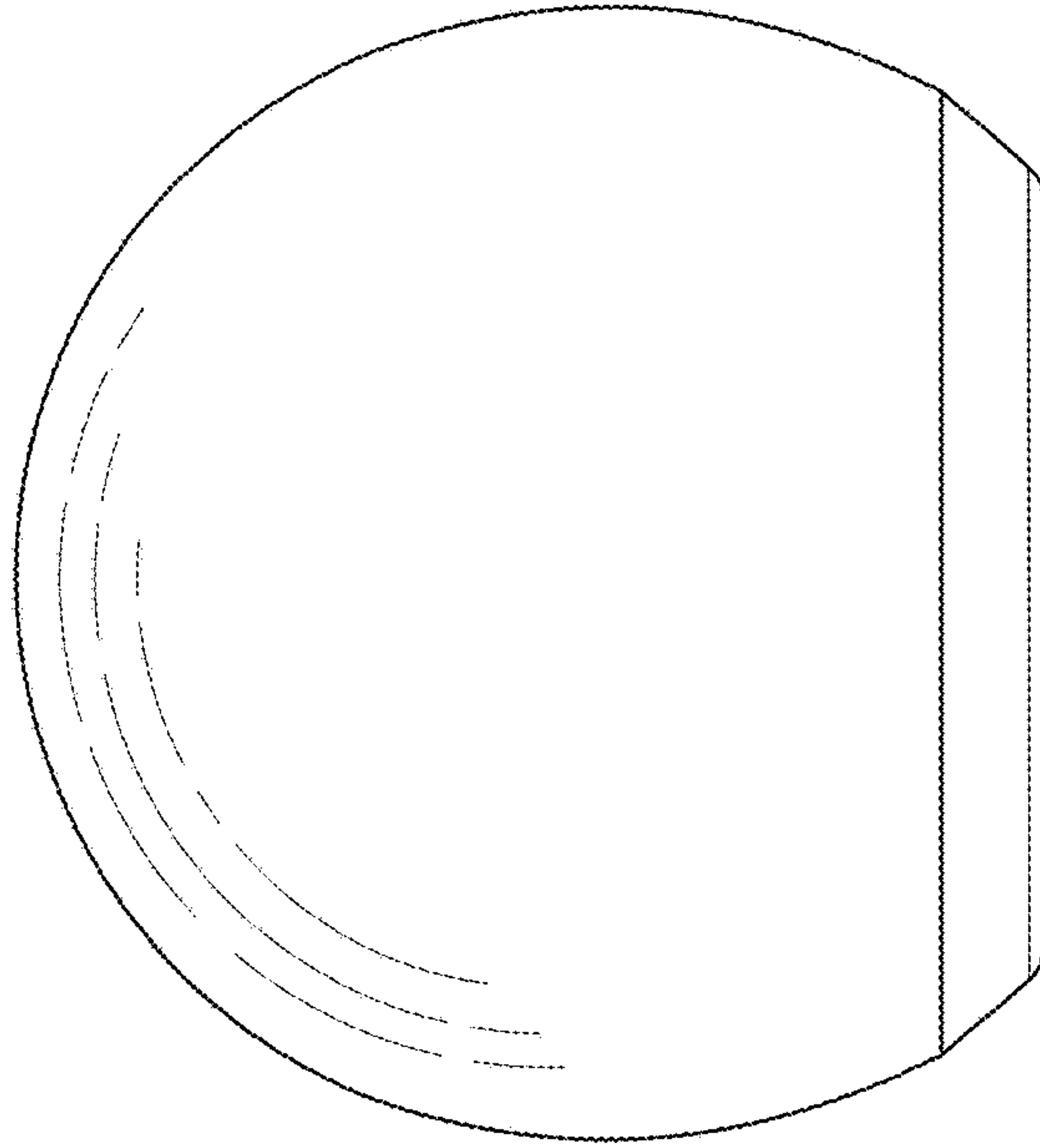


FIG. 4

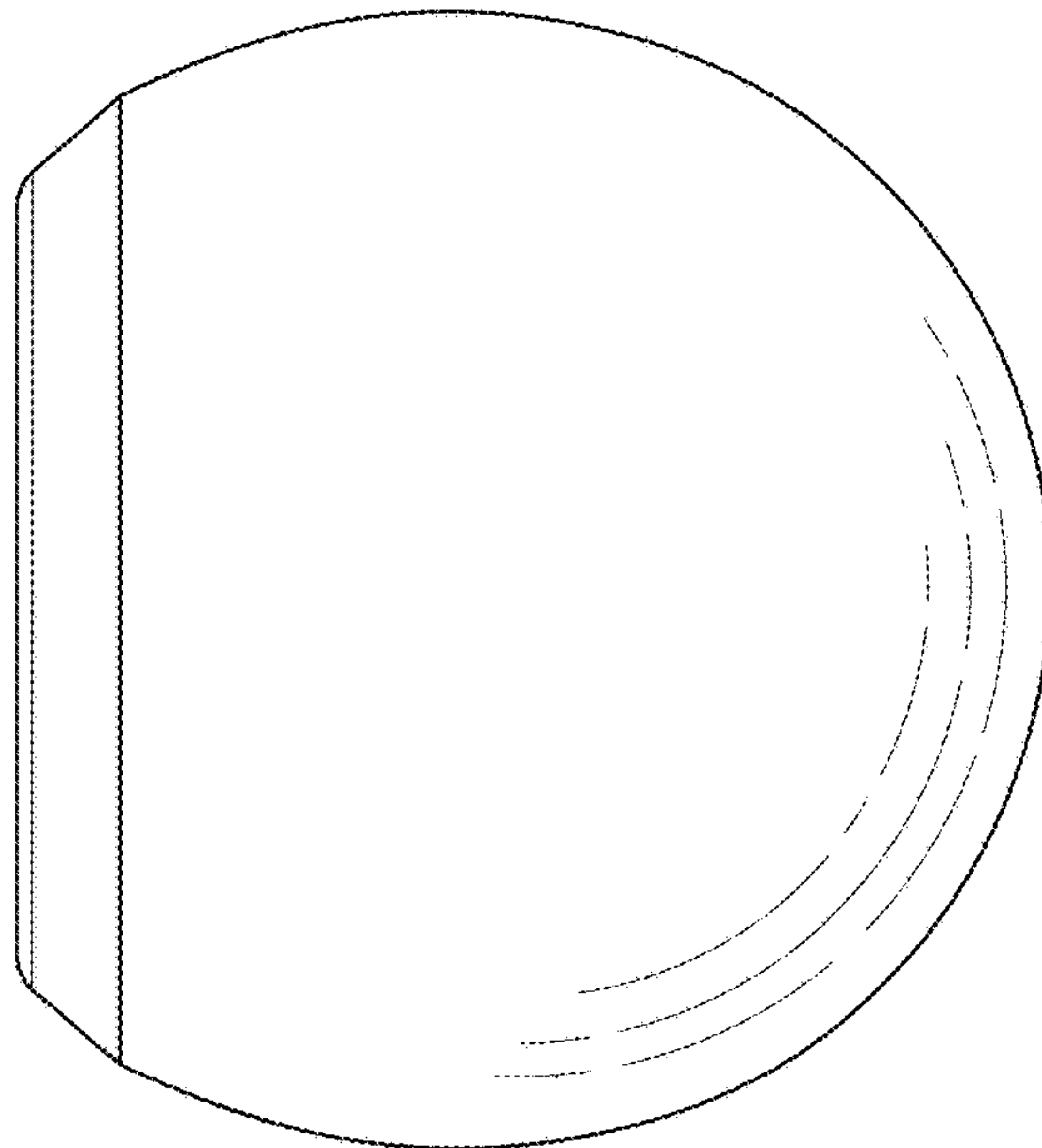


FIG. 5

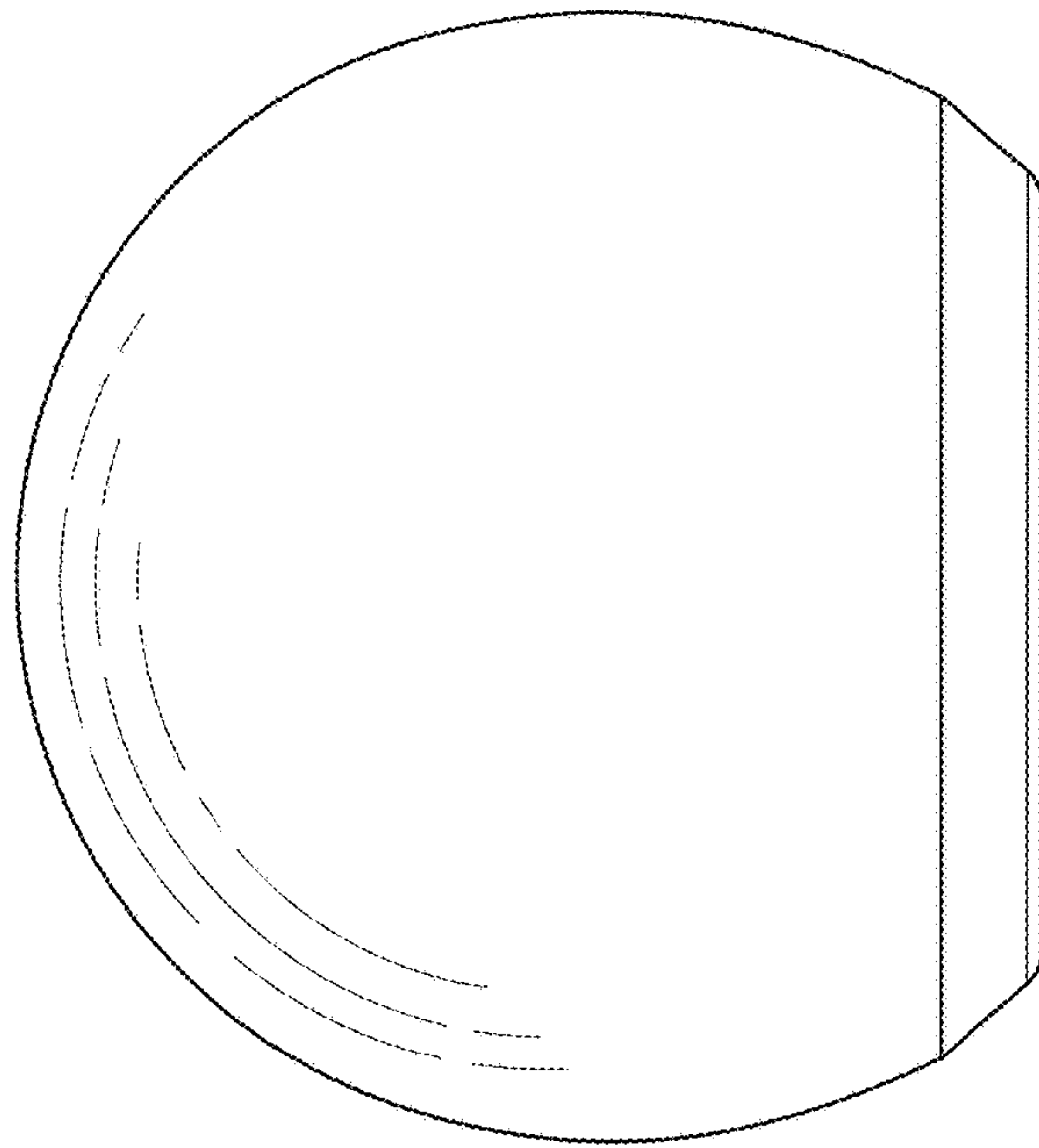


FIG. 6

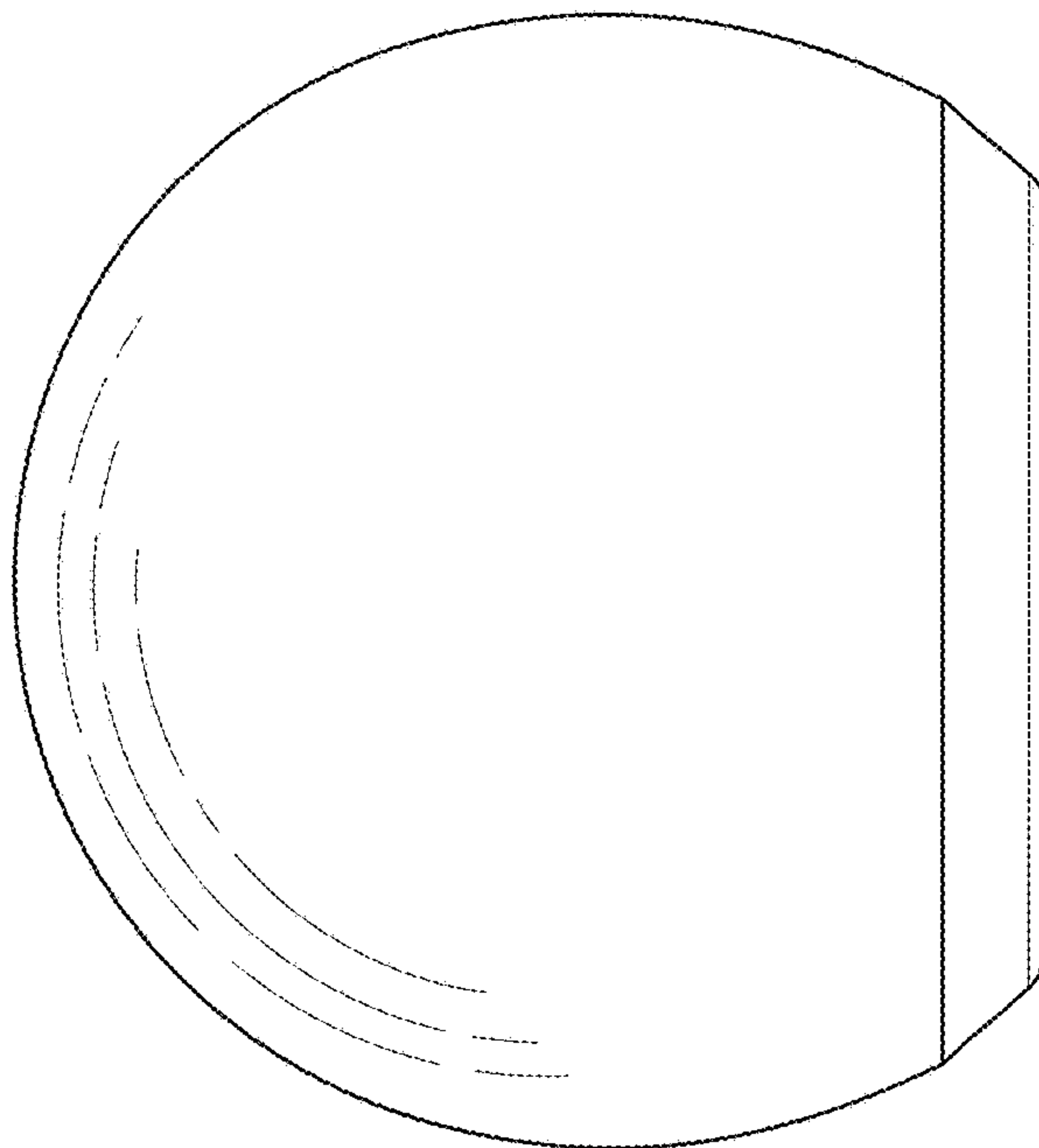


FIG. 7