



US00D868767S

(12) **United States Design Patent** (10) **Patent No.:** **US D868,767 S**
Kim (45) **Date of Patent:** **** *Dec. 3, 2019**

(54) **CASE FOR ELECTRONIC COMMUNICATIONS DEVICE**

(71) Applicant: **SPIGEN KOREA CO., LTD.**, Seoul (KR)

(72) Inventor: **Seungjoo Kim**, Seoul (KR)

(73) Assignee: **SPIGEN KOREA CO., LTD.**, Seoul (KR)

(*) Notice: This patent is subject to a terminal disclaimer.

(**) Term: **15 Years**

(21) Appl. No.: **29/634,114**

(22) Filed: **Jan. 18, 2018**

(51) **LOC (12) Cl.** **14-03**

(52) **U.S. Cl.**
 USPC **D14/250**

(58) **Field of Classification Search**
 USPC D14/248, 439, 203.3–203.7, 447, 238.1, D14/251–253, 217, 240, 250, 440; D3/201, 218, 247, 269, 273, 301, 303; D13/103, 107–108, 119
 CPC H04B 1/3888; H04M 1/0283; H04M 1/0202; A45C 1/06; A45C 2011/002; A45C 11/00; A45C 13/02; A45F 2005/026; A45F 2200/0525; A45F 2200/0516
 See application file for complete search history.

8,517,172 B1 * 8/2013 Chang G06F 1/1626 206/320

D703,646 S 4/2014 Fathollahi

D706,254 S 6/2014 Chang

D718,757 S 12/2014 Jaffee

D718,758 S 12/2014 Jaffee

D721,360 S 1/2015 Laffon de Mazieres

D721,694 S 1/2015 Lee et al.

D731,472 S * 6/2015 Lee D14/250

D739,394 S 9/2015 Rayner et al.

D746,273 S 12/2015 Herbst

D746,275 S 12/2015 Mohammad

D749,535 S 2/2016 Joung

D753,099 S 4/2016 Kim

D756,343 S * 5/2016 Wall D14/250

D762,205 S * 7/2016 Dang D14/250

D763,841 S 8/2016 Kim

D765,628 S 9/2016 Watt et al.

D765,634 S 9/2016 McCray et al.

D765,638 S 9/2016 Gaylord et al.

D765,640 S 9/2016 Bulkley et al.

D765,645 S 9/2016 Kim

D771,028 S * 11/2016 Kim D14/250

D771,608 S 11/2016 Kim

D772,209 S 11/2016 Kim

D775,620 S * 1/2017 Kim D14/250

D776,104 S 1/2017 Tien

D776,649 S 1/2017 Kim

D777,155 S 1/2017 Kim

D777,156 S 1/2017 Kim

D777,160 S 1/2017 Kim

D777,716 S 1/2017 Kim

D778,897 S 2/2017 Kim

D778,898 S 2/2017 Kim

D780,164 S 2/2017 Lee

D780,166 S 2/2017 Lin

D780,167 S 2/2017 Tien

9,628,133 B2 * 4/2017 Kim H04B 1/3888

D786,851 S 5/2017 Kim

D786,852 S 5/2017 Kim

D786,854 S 5/2017 Kim

D787,491 S 5/2017 Kim

D787,492 S 5/2017 Kim

D788,090 S 5/2017 Kim

D788,757 S * 6/2017 Kim D14/250

D788,760 S * 6/2017 Kim D14/250

D789,344 S 6/2017 Kim

9,675,150 B2 * 6/2017 Kim A45C 11/182

9,677,702 B2 * 6/2017 Kim F16M 11/00

D791,755 S 7/2017 Kim

D792,394 S 7/2017 Lee et al.

D795,237 S * 8/2017 Jung D13/108

D796,497 S 9/2017 Kim

(56) **References Cited**

U.S. PATENT DOCUMENTS

D619,361 S 7/2010 Andre

D637,589 S 5/2011 Willes et al.

D646,265 S 10/2011 Fathollahi

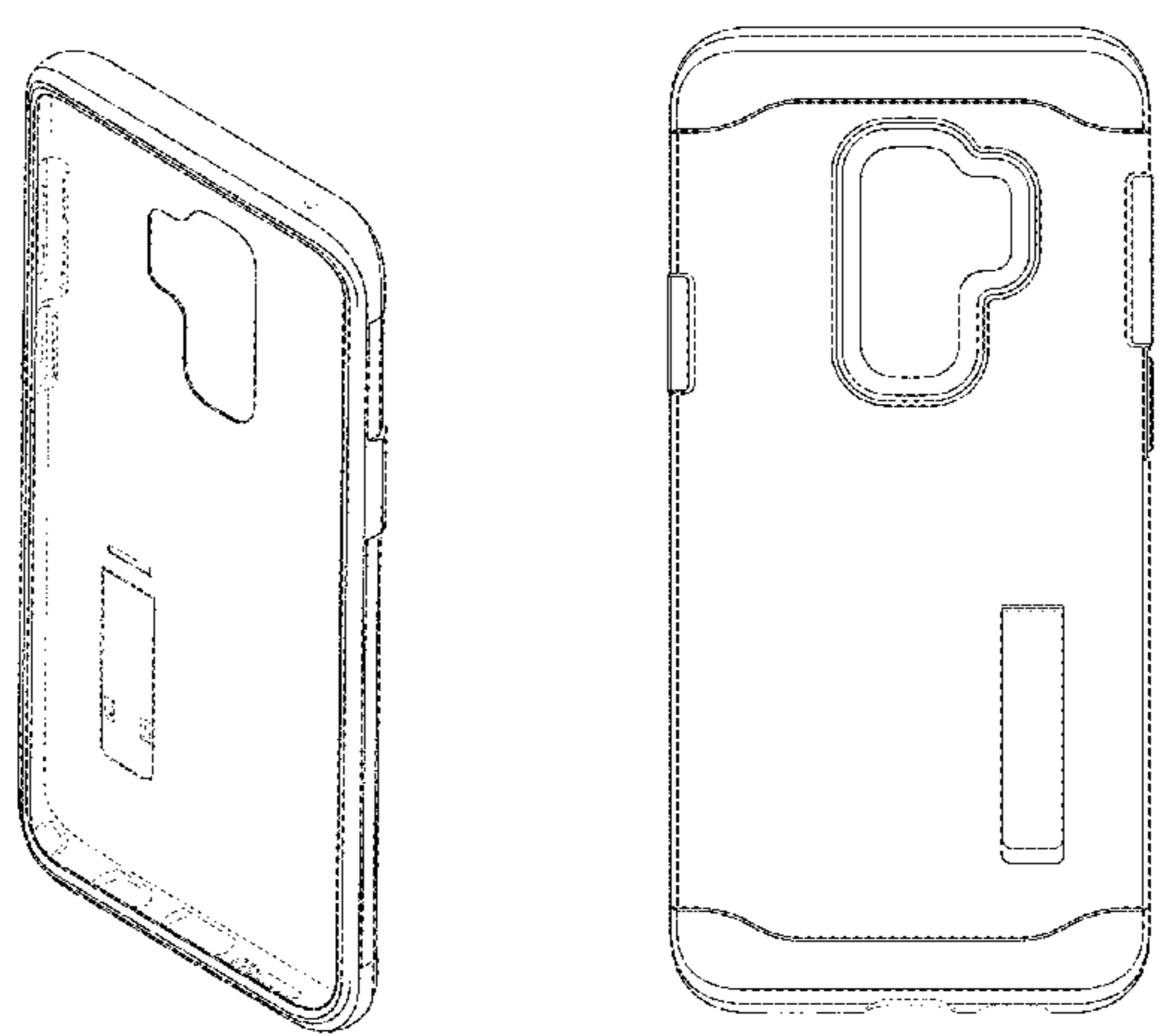
D650,371 S 12/2011 Wibby

D655,281 S 3/2012 Turocy

D673,547 S 1/2013 Melanson et al.

D679,271 S * 4/2013 Liu D13/103

D681,615 S 5/2013 Fathollahi



D797,094	S	9/2017	Kim	
D798,284	S *	9/2017	Kim	D14/250
D800,713	S	10/2017	Kim	
D802,574	S *	11/2017	Kim	D14/250
D803,206	S	11/2017	Kim	
D806,063	S	12/2017	Kim	
D810,064	S *	2/2018	Kim	D14/250
9,912,368	B2 *	3/2018	Kim	H04B 1/3888
D820,245	S *	6/2018	Kim	D14/250
2011/0050606	A1	3/2011	Zhang	
2014/0262855	A1 *	9/2014	Gandhi	A45C 11/00 206/45.24
2014/0360892	A1 *	12/2014	Lin	A45C 11/00 206/37
2015/0053583	A1 *	2/2015	McCormick	A45C 11/00 206/521
2015/0133204	A1 *	5/2015	Ivanovski	H04B 1/3816 455/575.8
2015/0335116	A1	11/2015	Kim	
2016/0101902	A1	4/2016	Kim	
2016/0204817	A1	7/2016	Kim	
2016/0269516	A1	9/2016	Kim	
2016/0285301	A1	9/2016	Kim	
2016/0336987	A1 *	11/2016	Lin	H04B 1/3888
2016/0374443	A1	12/2016	Kim	
2017/0150792	A1	6/2017	Kim	
2017/0201285	A1 *	7/2017	Liu	H04B 1/3888
2017/0230072	A1	8/2017	Kim	

OTHER PUBLICATIONS

Spigen Slim Armor Case with Kickstand for Galaxy S7 Edge, published May 20, 2016, URL:<<https://www.androidcentral.com/review-spigen-slim-armor-case-galaxy-s7-edge>>, retrieved from internet on Mar. 21, 2019.*

“Spigen Slim Armor iPhone 5S /SE/5 Case with Advanced Drop Protection and Dual Layer Design for iPhone 5S / iPhone SE /iPhone 5—Metal Slate”, <https://www.amazon.com/dp/B00DD62R40>, Earliest review date of Dec. 14, 2012, Downloaded on Sep. 18, 2018.

“Spigen Slim Armor View Galaxy S4 Case with Automatic Sleep / Wake Feature for Galaxy S4 2013—Soul Black”, <https://www.amazon.com/dp/B00DCCVS5Y>, Earliest review date of Mar. 18, 2013, Downloaded on Feb. 19, 2019.

“Spigen Slim Armor Nexus 5 Case with Air Cushion Technology and Hybrid Drop Protection for Nexus 5 2013—Infinity White”, <https://www.amazon.com/dp/B00EV8Y7X1>, Earliest review date of Nov. 4, 2013, Downloaded on Jan. 16, 2019.

“Spigen Slim Armor View Galaxy S5 Case with Automatic Sleep / Wake Feature for Samsung Galaxy S5 2014—View Smooth White”, <https://www.amazon.com/dp/B00KGGO2EI>, Earliest review date of Jan. 18, 2014, Downloaded on Jan. 16, 2019.

“Spigen Slim Armor Galaxy S5 Case with Air Cushion Technology and Hybrid Drop Protection for Samsung Galaxy S5 2014—Metal Slate”, <https://www.amazon.com/dp/B00I3UWD7C>, Earliest review date of Apr. 11, 2014, Downloaded on Sep. 18, 2018.

“Spigen Slim Armor LG G3 Case with Air Cushion Technology and Hybrid Drop Protection for LG G3 2014—Metal Slate”, <https://www.amazon.com/dp/B00JQI2G50>, Earliest review date of Jul. 9, 2014, Downloaded on Jan. 16, 2019.

“Spigen Slim Armor iPhone 6 Case with Air Cushion Technology and Hybrid Drop Protection for iPhone 6 2014—Gunmetal”, <https://www.amazon.com/dp/B00JH88GB6>, Earliest review date of Aug. 13, 2014, Downloaded on Sep. 18, 2018.

“Spigen Slim Armor iPhone 6 Plus Case with Air Cushion Technology and Hybrid Drop Protection for iPhone 6S Plus / iPhone 6 Plus—Shimmery White”, <https://www.amazon.com/dp/B00JH83C6U>, Earliest review date of Sep. 12, 2014, Downloaded on Sep. 18, 2018.

“Spigen Slim Armor Galaxy Note 4 Case with Air Cushion Technology and Hybrid Drop Protection for Samsung Galaxy Note 4 2014—Shimmery White”, <https://www.amazon.com/dp/B00MAWQPJQ>, Earliest review date of Oct. 7, 2014, Downloaded on Jul. 30, 2018.

“Spigen Slim Armor Galaxy S6 Case with Air Cushion Technology and Hybrid Drop Protection with Kickstand for Samsung Galaxy S6 (2015)—Shimmery White”, <https://www.amazon.com/dp/B00QU4NQMY>, Earliest review date of Mar. 21, 2015, Downloaded on Sep. 18, 2018.

“Spigen Slim Armor HTC One M9 Case with Kickstand and Air Cushion Technology Hybrid Drop Protection for HTC One M9 2015—Metal Slate”, <https://www.amazon.com/dp/B00SNOTASI>, Earliest review date of Mar. 31, 2015, Downloaded on Jan. 16, 2019.

Spigen Slim Armor Galaxy S6 Edge Case with Kickstand and Air Cushion Technology and Hybrid Drop Protection for Galaxy S6 Edge 2015—Gunmetal, <https://www.amazon.com/dp/B00SV638ZE>, Earliest review date of Apr. 3, 2015, Downloaded on Sep. 18, 2018.

“Spigen Slim Armor Galaxy Note 5 Case with Air Cushion Technology and Hybrid Drop Protection for Galaxy Note 5 2015—Metal Slate”, <https://www.amazon.com/dp/B010MWHIKA>, Earliest review date of Aug. 21, 2015, Downloaded on Jul. 18, 2018.

“Spigen Slim Armor iPhone 6S Case with Kickstand and Air Cushion Technology Hybrid Drop Protection for iPhone 6S 2015—Rose Gold”, <https://www.amazon.com/dp/B012PKFAQ6>, Earliest review date of Sep. 1, 2015, Downloaded on Sep. 18, 2018.

“Spigen Slim Armor LG V10 Case with Air Cushion Technology and Hybrid Drop Protection for LG V10—Gunmetal”, <https://www.amazon.com/dp/B016X1FODW>, Earliest review date of Nov. 16, 2015, Downloaded on Sep. 18, 2018.

“Spigen Slim Armor Galaxy S7 Edge Case with Kickstand and Air Cushion Technology and Hybrid Drop Protection for Samsung Galaxy S7 Edge 2016—Champagne Gold”, <https://www.amazon.com/dp/B01BEBBWY6>, Earliest review date of Feb. 26, 2016, Downloaded on Sep. 18, 2018.

“Spigen Slim Armor Galaxy S7 Case with Air Cushion Technology and Hybrid Drop Protection for Samsung Galaxy S7 2016—Violet”, <https://www.amazon.com/dp/B01AUR1D8K>, Earliest review date of Mar. 2, 2016, Downloaded on Sep. 18, 2018.

“Spigen Slim Armor iPhone SE Case with Air Cushion Technology and Hybrid Drop Protection for iPhone SE 2016—Rose Gold”, <https://www.amazon.com/dp/B01BEJOH5E>, Earliest review date of Apr. 6, 2016, Downloaded on Jan. 16, 2019.

“Spigen Slim Armor LG G5 Case with Air Cushion Technology and Hybrid Drop Protection for LG G5 2016—Shimmery White”, <https://www.amazon.com/dp/B01B1GQIHA>, Earliest review date of Apr. 7, 2016, Downloaded on Sep. 18, 2018.

“Spigen Slim Armor HTC 10 Case with Kickstand and Air Cushion Technology Hybrid Drop Protection for HTC 10 2016—Champagne Gold”, <https://www.amazon.com/dp/B01DAN2WTA>, Earliest review date of May 6, 2016, Downloaded on Jan. 16, 2019.

“Spigen Slim Armor iPhone 7 / iPhone 8 Case with Kickstand and Air Cushion Technology Hybrid Drop Protection for Apple iPhone 7 (2016) / iPhone 8 (2017)—Black”, <https://www.amazon.com/dp/B01HMY5WKY>, Earliest review date of Sep. 12, 2016, Downloaded on Sep. 18, 2018.

“Spigen Slim Armor iPhone 7 Plus Case with Kickstand and Air Cushion Technology Hybrid Drop Protection for Apple iPhone 7 Plus (2016)—Black”, <https://www.amazon.com/dp/B01HMY5Y3E>, Earliest review date of Sep. 22, 2016, Downloaded on Jan. 16, 2019.

“Spigen Tough Armor Galaxy S5 Case with Extreme Heavy Duty Protection and Air Cushion Technology for Samsung Galaxy S5 2014—Gunmetal”, <https://www.amazon.com/dp/B00I3UWDV8>, Earliest review date of Mar. 9, 2014, Downloaded on Aug. 9, 2018.

“Spigen Tough Armor Galaxy S6 Case with Kickstand and Air Cushion Technology for Galaxy S6 2015—Gunmetal”, <https://www.amazon.com/dp/B00QU4PUKK>, Earliest review date of Mar. 23, 2015, Downloaded on Aug. 9, 2018.

“Spigen Tough Armor Galaxy S6 Edge Case with Kickstand and Extreme Heavy Duty Protection and Air Cushion Technology for Galaxy S6 Edge 2015—Gunmetal”, <https://www.amazon.com/dp/B00SV63L38>, Earliest review date of Mar. 12, 2015, Downloaded on Aug. 9, 2018.

“Spigen Tough Armor Galaxy S7 Case with Extreme Heavy Duty Protection and Air Cushion Technology for Samsung Galaxy S7 2016—Gunmetal”, <https://www.amazon.com/dp/B01A7ID3PS>, Earliest review date of Feb. 25, 2016, Downloaded on Aug. 9, 2018.

“Spigen Tough Armor Galaxy S7 Edge Case with Kickstand and Extreme Heavy Duty Protection and Air Cushion Technology for Samsung Galaxy S7 Edge 2016—Gunmetal”, <https://www.amazon.com/dp/B01A7IDNWQ>, Earliest review date of Feb. 24, 2016, Downloaded on Aug. 9, 2018.

“Spigen Tough Armor LG G5 Case with Reinforced Kickstand and Heavy Duty Protection and Air Cushion Technology for LG G5 (2016)—Gunmetal”, <https://www.amazon.com/dp/B01B1GQL6I>, Earliest review date of Mar. 11, 2016, Downloaded on Aug. 9, 2018.

* cited by examiner

Primary Examiner — Carla J Wright

(74) *Attorney, Agent, or Firm* — Heedong Chae; Lucem, PC

(57) **CLAIM**

The ornamental design for a case for electronic communications device, as shown and described.

DESCRIPTION

FIG. 1 is a front perspective view of a case for electronic communications device showing my new design;
 FIG. 2 is a rear perspective view thereof;
 FIG. 3 is a front elevational view thereof;
 FIG. 4 is a rear elevational view thereof;
 FIG. 5 is a left side elevational view thereof;
 FIG. 6 is a right side elevational view thereof;
 FIG. 7 is a top plan view thereof;
 FIG. 8 is a bottom plan view thereof;
 FIG. 9 is a front perspective view showing the inner shell component of the case in isolation;
 FIG. 10 is a rear perspective view showing the inner shell component of the case in isolation;
 FIG. 11 is a front perspective view showing the outer frame component of the case in isolation;

FIG. 12 is a rear perspective view showing the outer frame component of the case in isolation;

FIG. 13 is a front perspective view showing the support leg component of the case in isolation;

FIG. 14 is a rear perspective view showing the support leg component of the case in isolation;

FIG. 15 is an exploded front perspective view showing the components of the case separated;

FIG. 16 is an exploded rear perspective view showing the components of the case separated;

FIG. 17 is a rear perspective view of the case showing the support leg in an extended position; and,

FIG. 18 is an enlarged detail view of the encircled region of FIG. 2.

For clarity of disclosure, the components of the case are shown in isolation in FIGS. 9-14 and separated in FIGS. 15-16. Although the case for electronic communications device, in which the claimed design is embodied, consists of an inner shell component, an outer frame component, and a support leg component, the claim is directed to the overall ornamental appearance of the case for electronic communications device in its entirety and does not extend to the ornamental appearance of each of the individual components.

The dot-dash broken line circle in FIGS. 2 and 18 delineates a portion of the case for electronic communications device that is part of the claimed design and that is shown on an enlarged scale in FIG. 18. The dashed broken lines throughout the drawing figures depict portions of the case for electronic communications device that form no part of the claimed design. The broken lines, regions bounded by dashed broken lines, and the interior of the case shown in FIGS. 1, 3, 9, and 15 form no part of the claimed design.

1 Claim, 18 Drawing Sheets

FIG. 1

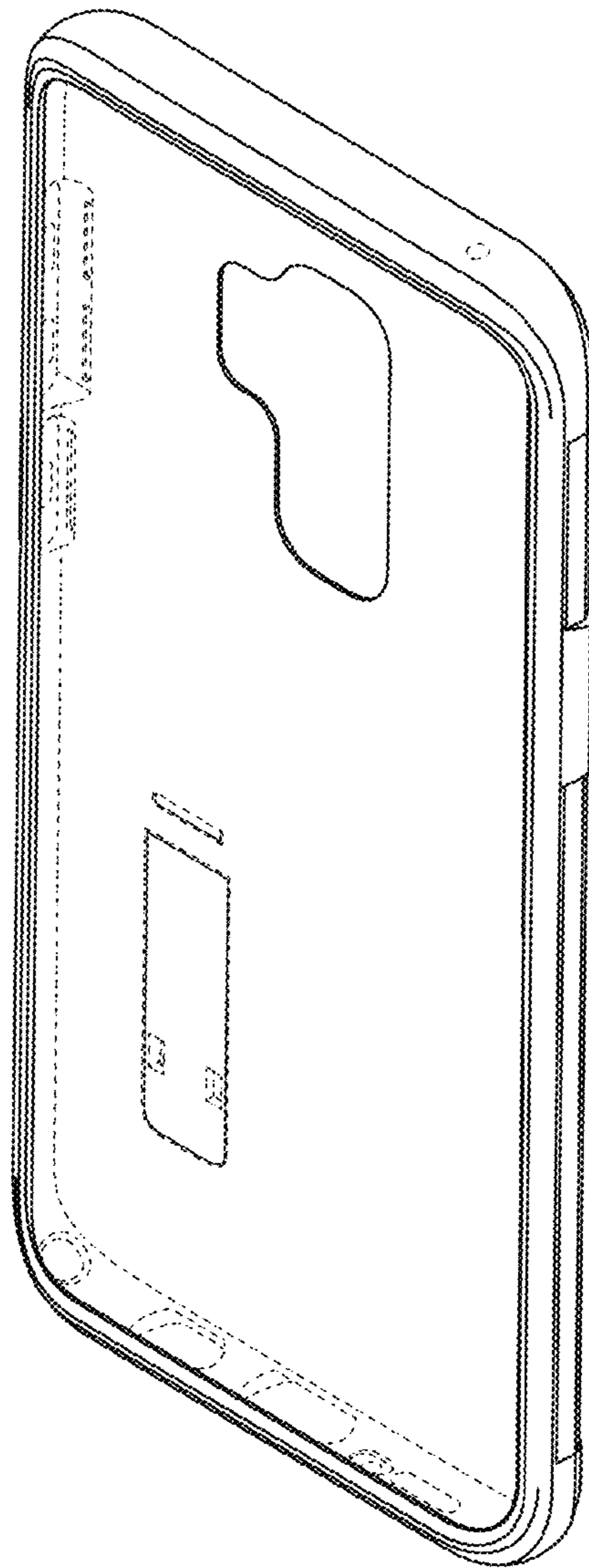


FIG. 2

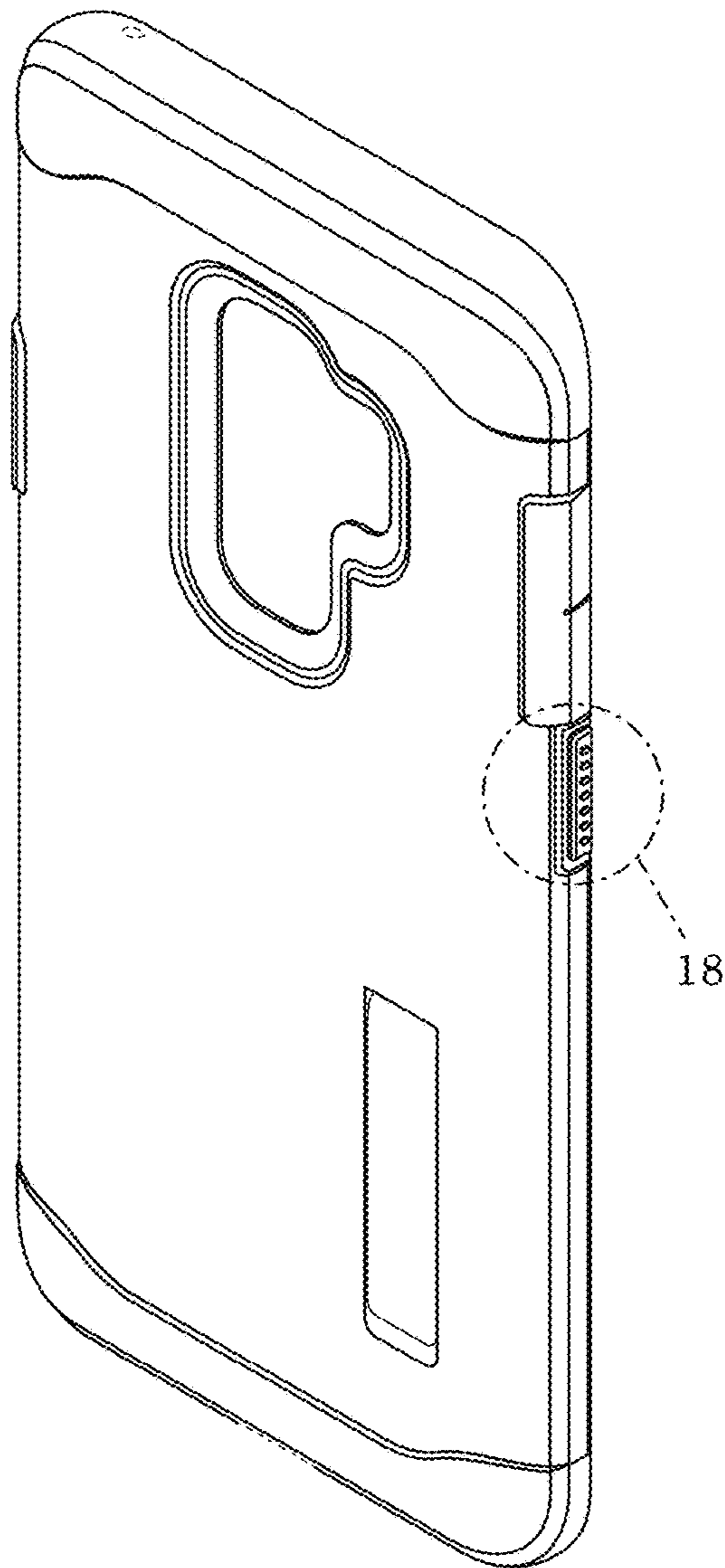


FIG. 3

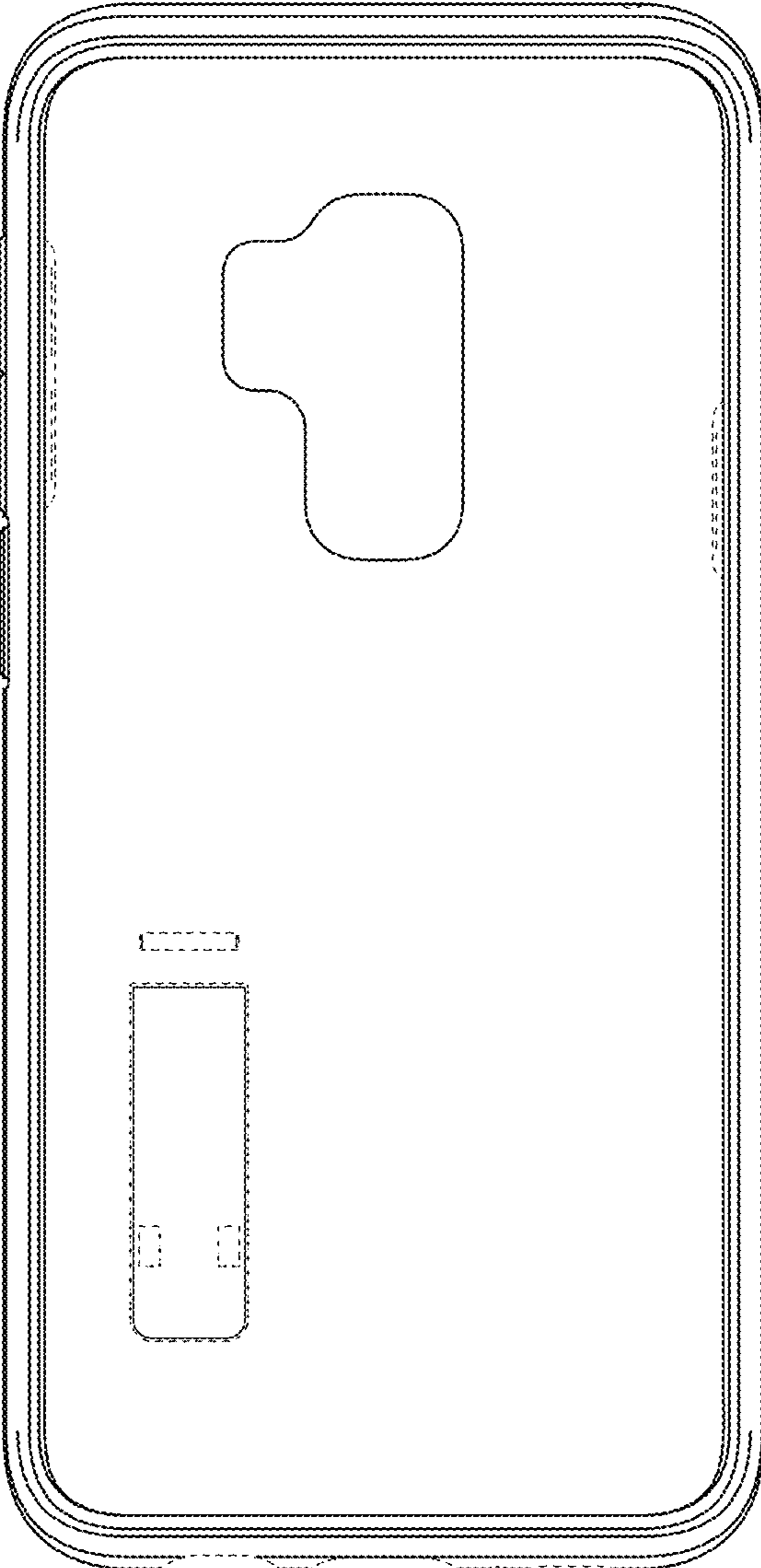


FIG. 4

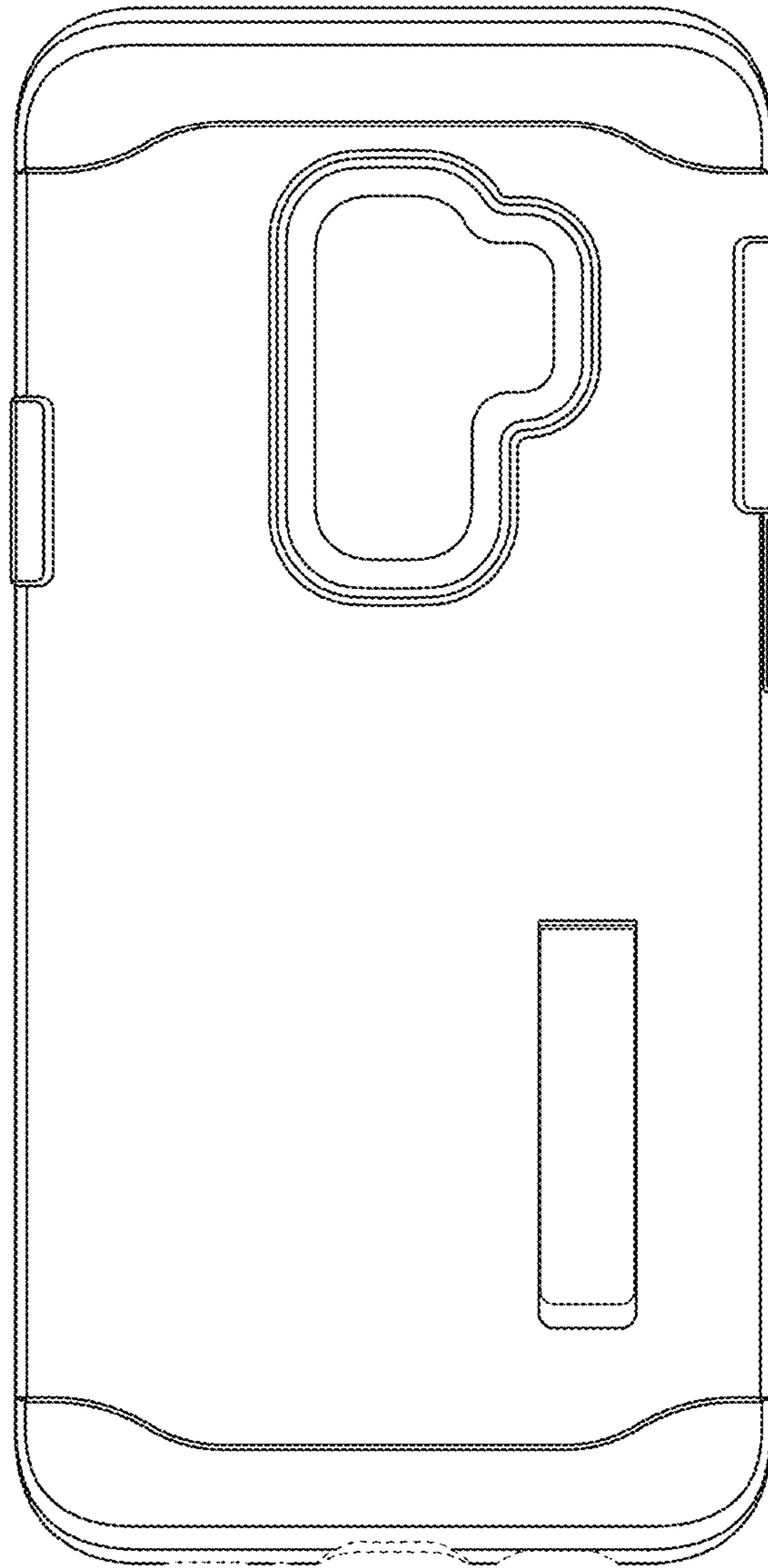


FIG. 5

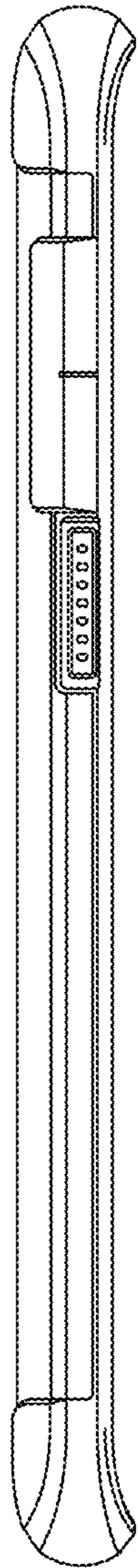


FIG. 6

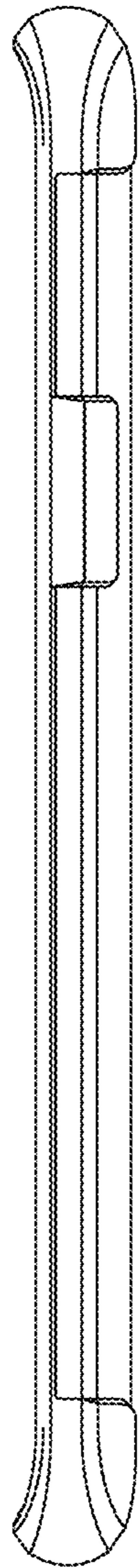


FIG. 7

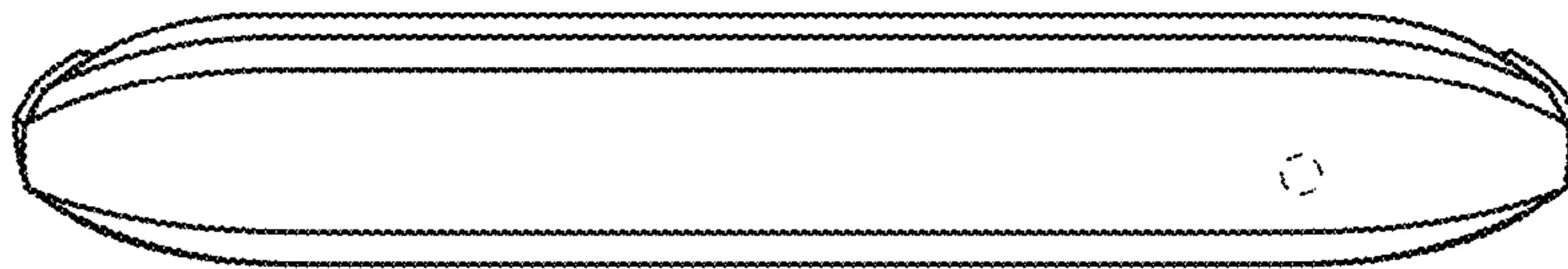


FIG. 8

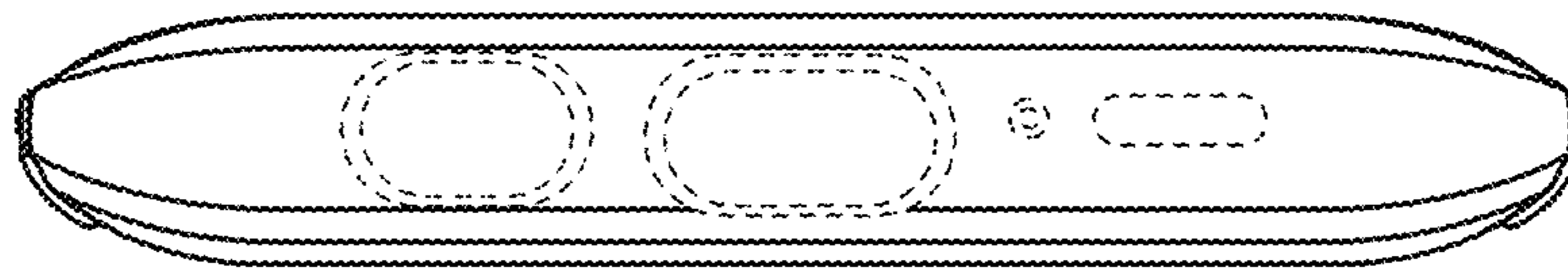


FIG. 9

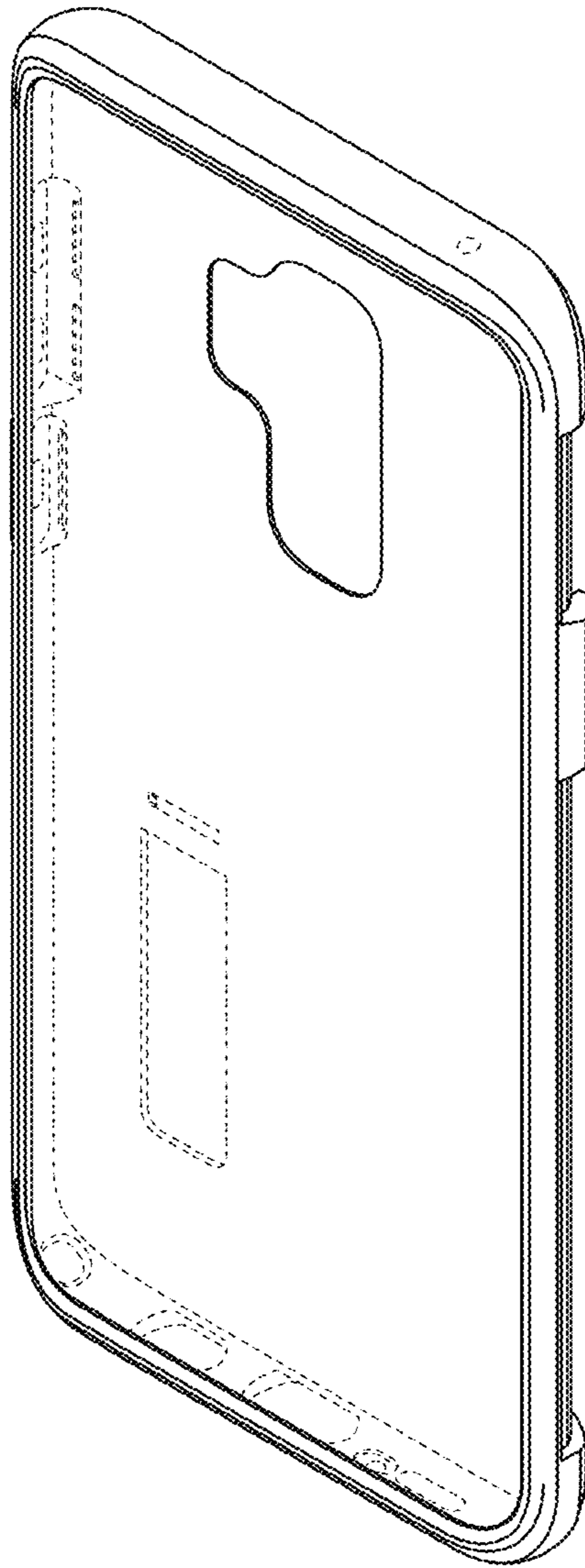


FIG. 10

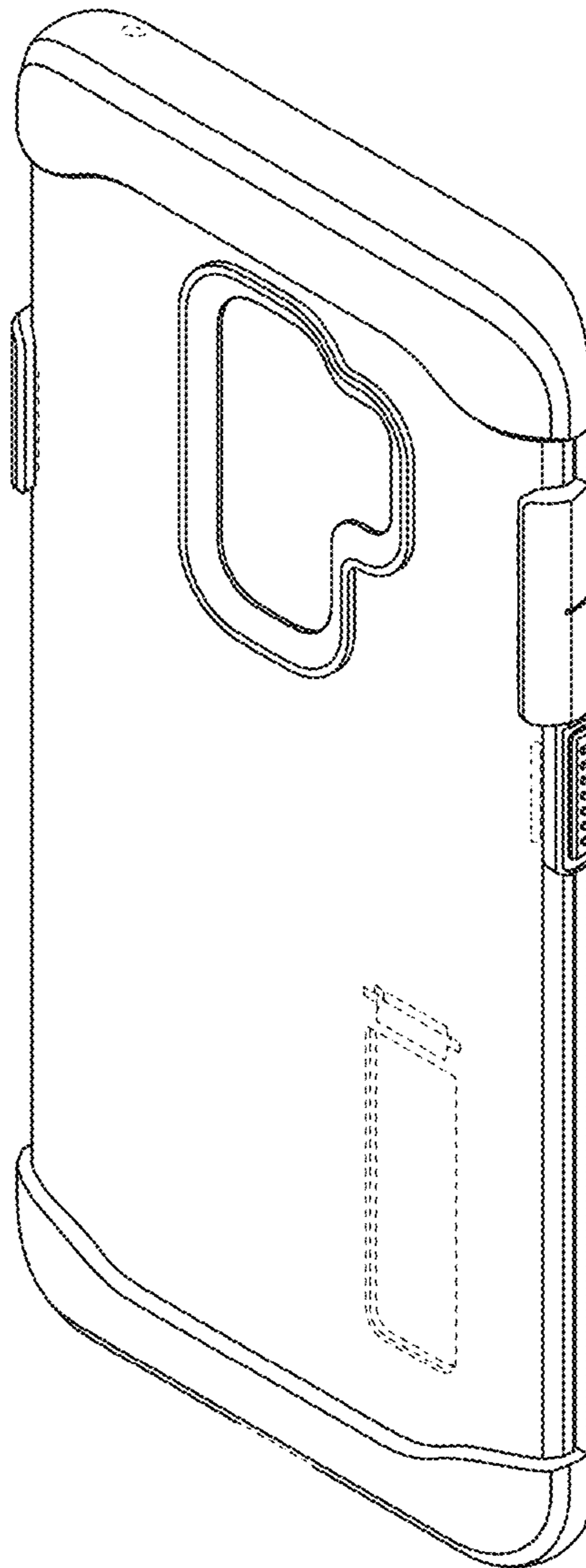


FIG. 11

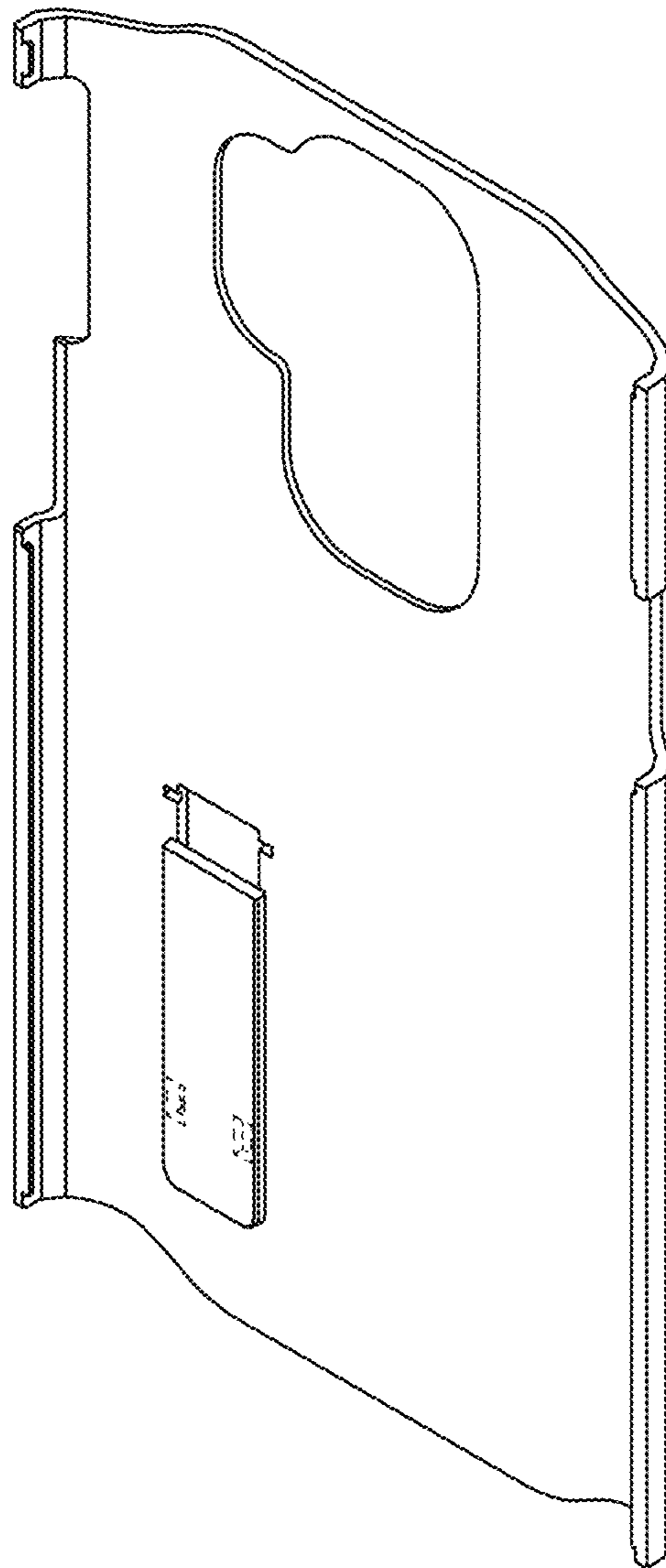


FIG. 12

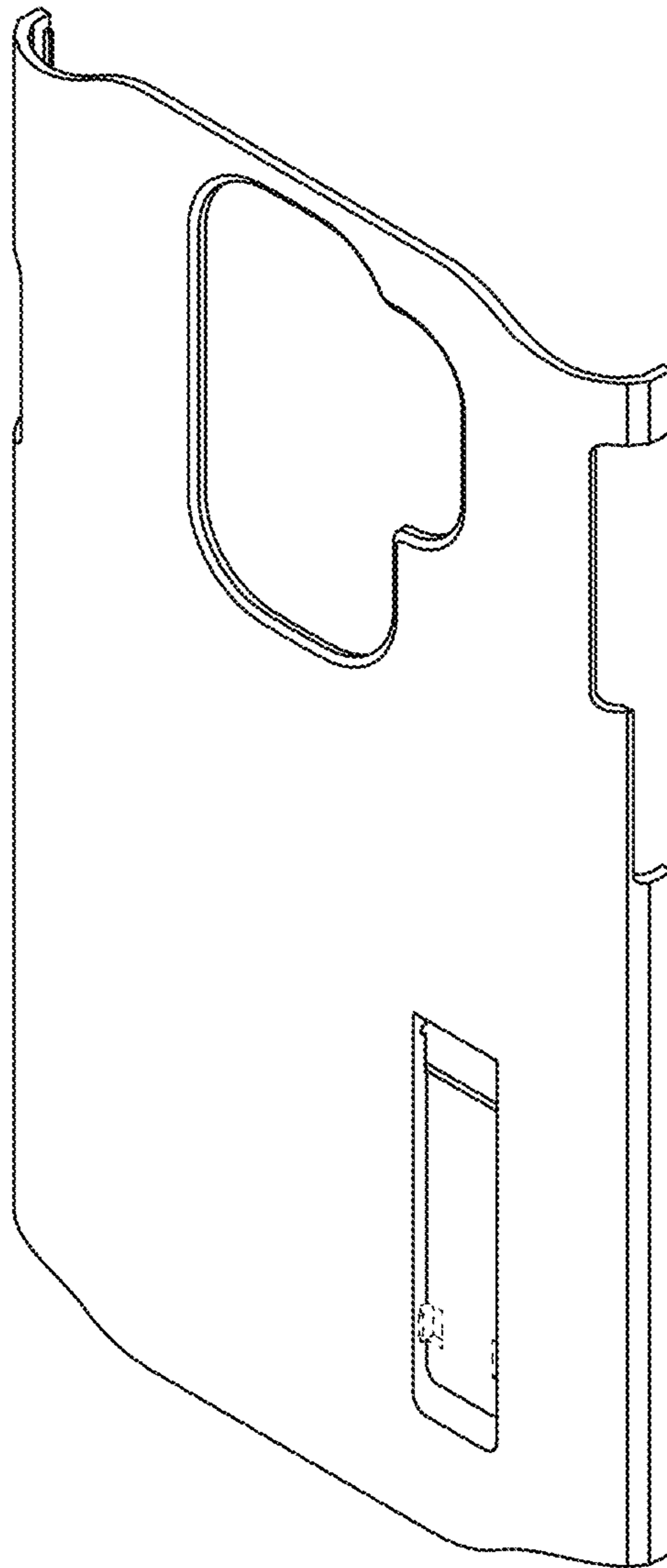


FIG. 13

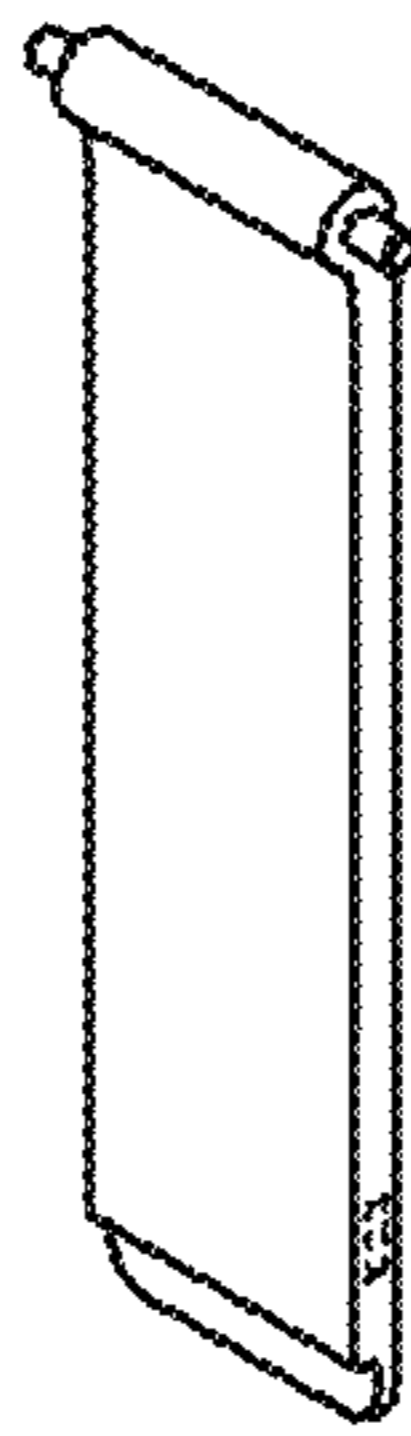


FIG. 14

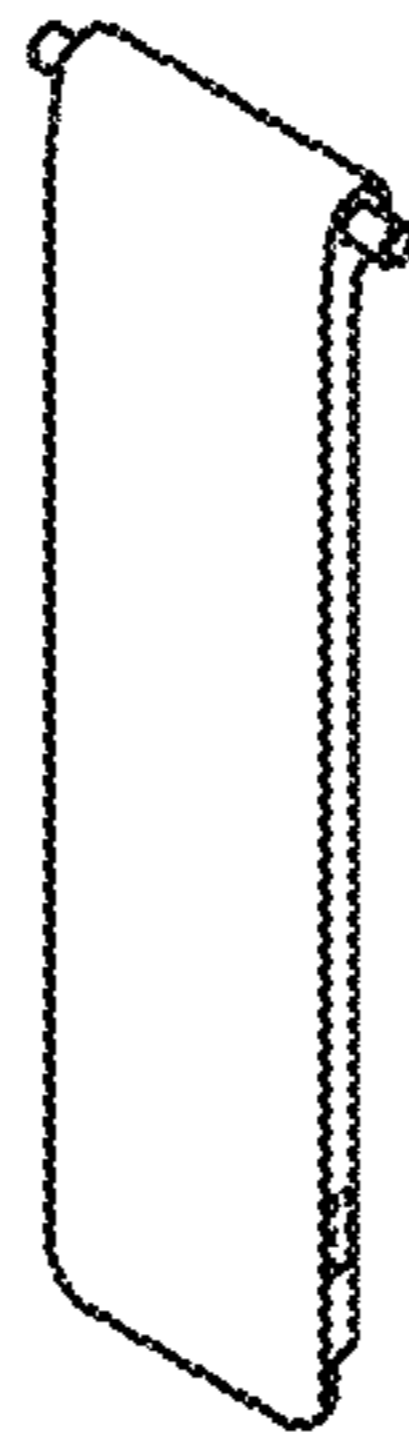


FIG. 15

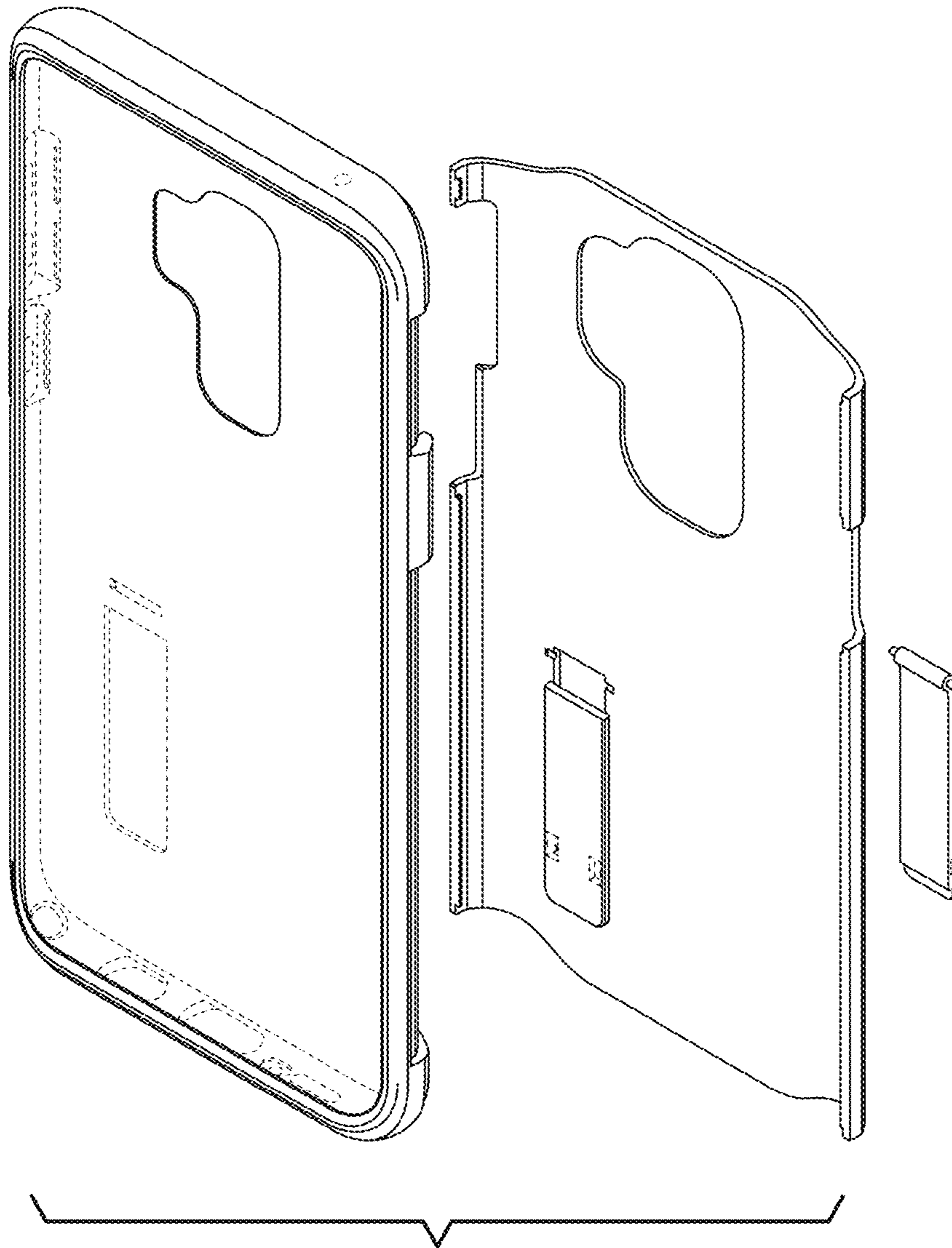


FIG. 16

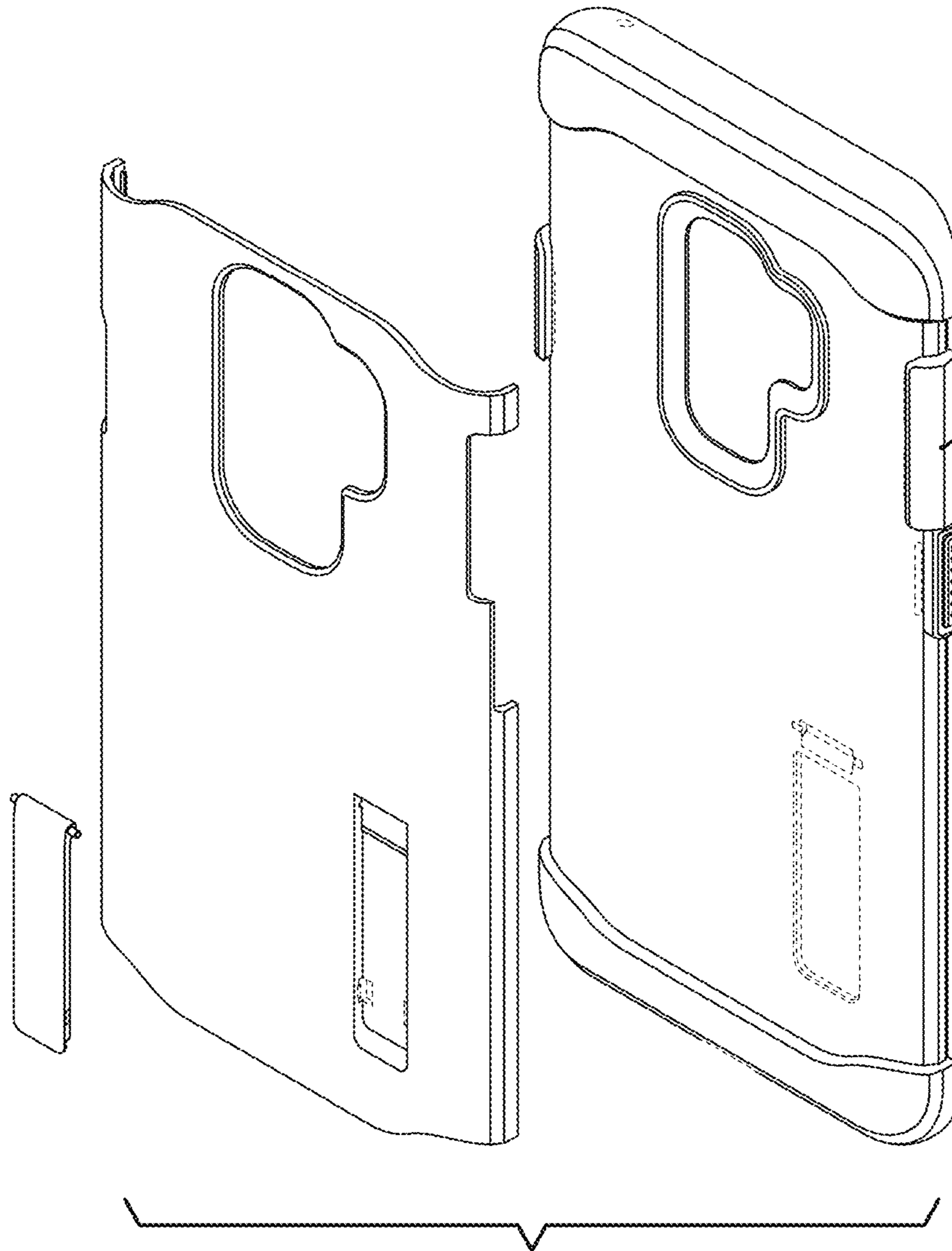


FIG. 17

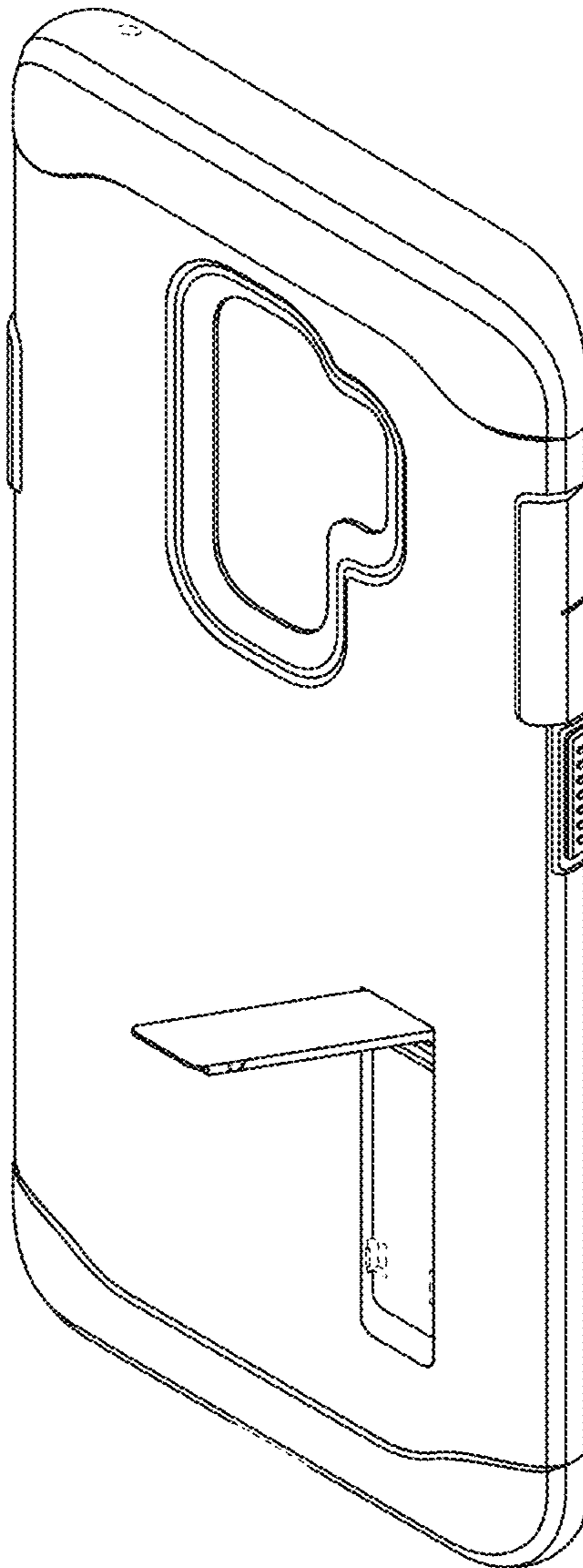


FIG. 18

