



US00D868764S

(12) **United States Design Patent** (10) **Patent No.:** **US D868,764 S**  
**Ahn** (45) **Date of Patent:** **\*\* Dec. 3, 2019**

(54) **CASE FOR ELECTRONIC DEVICES**

(57) **CLAIM**

(71) Applicant: **SPIGEN KOREA CO., LTD.**, Seoul (KR)

The ornamental design for a case for electronic devices, as shown and described.

(72) Inventor: **Deok Hyun Ahn**, Seoul (KR)

(73) Assignee: **SPIGEN KOREA CO., LTD.**, Seoul (KR)

**DESCRIPTION**

(\*\*) Term: **15 Years**

FIG. 1 is a front perspective view of a case for electronic devices showing my new design;  
FIG. 2 is a rear perspective view thereof;  
FIG. 3 is a front elevational view thereof;  
FIG. 4 is a rear elevational view thereof;  
FIG. 5 is a left side elevational view thereof;  
FIG. 6 is a right side elevational view thereof;  
FIG. 7 is a top plan view thereof;  
FIG. 8 is a bottom plan view thereof;  
FIG. 9 is a front exploded perspective view thereof;  
FIG. 10 is a rear exploded perspective view thereof;  
FIG. 11 is a front perspective view of the inner shell of the case, shown isolated from the case for electronic devices for clarity;  
FIG. 12 is a rear perspective view of the inner shell of the case, shown isolated from the case for electronic devices for clarity;  
FIG. 13 is a front perspective view of the outer frame of the case, shown isolated from the case for electronic devices for clarity; and,  
FIG. 14 is a rear perspective view of the outer frame of the case, shown isolated from the case for electronic devices for clarity.

(21) Appl. No.: **29/590,438**

(22) Filed: **Jan. 10, 2017**

(51) **LOC (12) Cl.** ..... **14-03**

(52) **U.S. Cl.**  
USPC ..... **D14/250**

(58) **Field of Classification Search**  
USPC ..... D3/201, 218, 226, 227, 247, 249, 250,  
D3/269, 303; D13/103, 107, 108, 119;  
(Continued)

(56) **References Cited**

**U.S. PATENT DOCUMENTS**

D621,393 S \* 8/2010 Panahi ..... D13/103  
D621,821 S \* 8/2010 Richardson ..... D14/250  
(Continued)

**OTHER PUBLICATIONS**

“iPhone SE Case, For Apple iPhone 5S/5 Case, Rock [Royce] Anti-scratch Drop Protection Slim Fit Dual Layered Heavy Duty Armor Hybrid Hard PC + Soft TPU Protective Shell Case—Champagne Gold/Black”, <https://www.amazon.com/dp/B014A8AM7I>, Published on Oct. 16, 2015, Downloaded on Jan. 30, 2017.

(Continued)

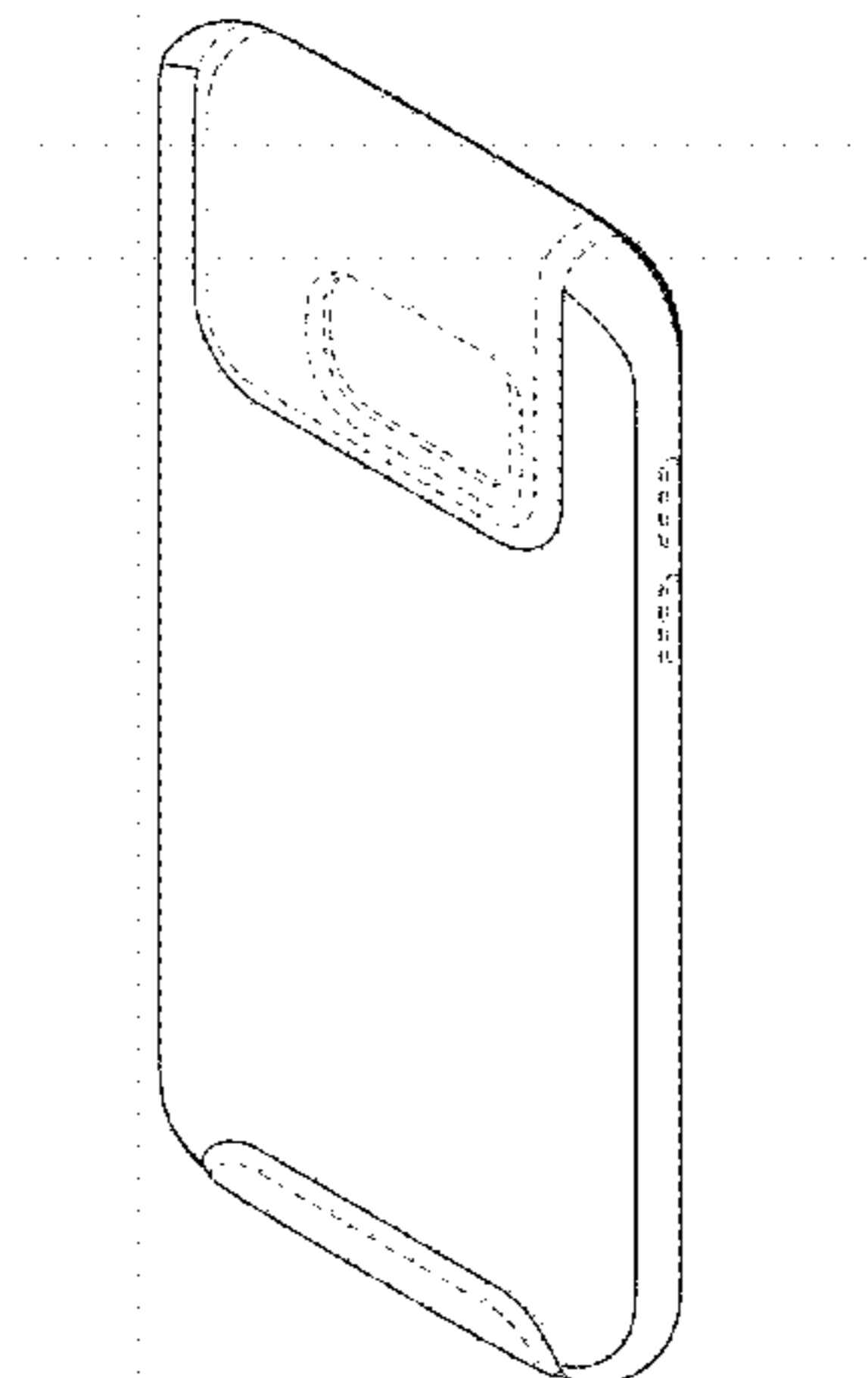
*Primary Examiner* — Susan E Krakower

*Assistant Examiner* — L. A. Grabenstetter

(74) *Attorney, Agent, or Firm* — Heedong Chae; Lucem, PC

Although the case for electronic devices in which the claimed design is embodied consists of an inner shell and an outer frame, the claim is directed to the ornamental appearance of the case for electronic devices in its entirety and does not extend to the ornamental appearance of each of the individual components in isolation.  
The broken lines depict portions of the case for electronic devices that form no part of the claimed design. The broken lines and regions bounded by broken lines form no part of the claimed design.

**1 Claim, 14 Drawing Sheets**



(58) **Field of Classification Search**

USPC ..... D14/137, 138 R, 138 AA, 138 C, 138 G,  
D14/203.3–203.7, 217, 238.1, 247, 248,  
D14/250–253, 440, 447  
CPC ..... H04B 1/3888; H04M 1/0283;  
H04M 1/0202; A45C 1/06; A45C  
2011/002; A45C 11/00; A45F 2005/028;  
A45F 2200/0525

See application file for complete search history.

(56) **References Cited**

U.S. PATENT DOCUMENTS

D621,822 S	*	8/2010	Richardson	.....	D14/250
D623,639 S	*	9/2010	Richardson	.....	D14/250
D623,640 S	*	9/2010	Freeman	.....	D14/250
D624,908 S	*	10/2010	Huskinson	.....	D14/250
D624,910 S	*	10/2010	Richardson	.....	D14/250
D626,120 S	*	10/2010	Richardson	.....	D14/250
D626,121 S	*	10/2010	Richardson	.....	D14/250
D654,485 S	*	2/2012	Chang	.....	D14/250
D673,549 S	*	1/2013	Chang	.....	D14/250
D676,434 S	*	2/2013	Chang	.....	D14/250
D681,022 S	*	4/2013	Chang	.....	D14/250
D710,346 S	*	8/2014	Smith	.....	D14/250
D721,070 S	*	1/2015	Pickett	.....	D14/250
D732,012 S	*	6/2015	Tsai	.....	D14/250
D756,343 S	*	5/2016	Wall	.....	D14/250
D767,485 S	*	9/2016	To	.....	D13/103

OTHER PUBLICATIONS

George Tinari, “Caseology review: Testing 4 of the nicest iPhone 6s cases available”, <https://www.cultofmac.com/399325/caseology-review/>. Published on Nov. 28, 2015, Downloaded on Jan. 30, 2017.  
“iPhone 6S Plus Case, Caseology [Wavelength Series] Slim Fit Military-Grade Drop Protection [Navy Blue] for Apple iPhone 6S Plus (2015) & iPhone 6 Plus (2014)”, <https://www.amazon.com/dp/B013W2C77G>, Published on Sep. 10, 2015, Downloaded on Mar. 13, 2018.  
“Spigen Neo Hybrid 6S Case with Flexible Inner Protection and Reinforced Hard Bumper Frame for iPhone 6S 2015—Gunmetal”, <https://www.amazon.com/dp/B010MVIZTE>, Published on Sep. 1, 2015, Downloaded on Dec. 18, 2018.  
“iPhone 6s Case, Spigen [Neo Hybrid EX] Premium Bumper [Rose Gold] Clear TPU / PC Frame Slim Dual Layer Premium Case for iPhone 6 (2014) / 6s (2015)—Rose Gold (SGP11725)”, <https://www.amazon.com/dp/B012PKV30S>, Published on Aug. 28, 2015, Downloaded on Dec. 18, 2018.  
“Spigen Neo Hybrid Carbon iPhone 6S Case with Carbon Fiber Design and Reinforced Hard Bumper Frame for iPhone 6S / iPhone 6 (2015)—Reventon Yellow”, <https://www.amazon.com/dp/B010MVJ5O8>, Published on Sep. 1, 2015, Downloaded on Dec. 18, 2018.  
“Spigen Neo Hybrid Galaxy S6 Edge Case with Flexible Inner Protection and Reinforced Hard Bumper Frame for Galaxy S6 Edge 2015—Gunmetal”, <https://www.amazon.com/dp/B00SV635BG>, Published on Mar. 19, 2015, Downloaded on Dec. 18, 2018.  
“Spigen Neo Hybrid EX iPhone 6 Case with Flexible Inner Bumper and Reinforced Hard Frame for iPhone 6S/iPhone 6—EX Satin Silver”, <https://www.amazon.com/dp/B00LL6RZ3C>, Published on Sep. 6, 2014, Downloaded on Dec. 18, 2018.  
“Spigen Neo Hybrid Galaxy S6 Case with Flexible Inner Protection and Reinforced Hard Bumper Frame for Galaxy S6 2015—Satin Silver”, <https://www.amazon.com/dp/B00QU4Q31A>, Published on Mar. 6, 2015, Downloaded on Dec. 18, 2018.  
“Spigen Neo Hybrid CC Galaxy S6 Case with Flexible Inner Casing and Reinforced Hard Bumper Frame for Galaxy S6 2015—Satin

Silver”, <https://www.amazon.com/dp/B00UMDOZLU>, Published on Mar. 25, 2015, Downloaded on Dec. 18, 2018.  
“Spigen Neo Hybrid Nexus 6 Case with Flexible Inner Protection and Reinforced Hard Bumper Frame for Google Nexus 6 2014—Dante Red”, <https://www.amazon.com/dp/B00OH4HKGC>, Published on Nov. 16, 2014 Downloaded on Dec. 18, 2018.  
“Spigen Neo Hybrid EX Nexus 6P Case with Flexible Inner Bumper and Reinforced Hard Frame for Nexus 6P 2015—Gunmetal”, <https://www.amazon.com/dp/B0184I8Z4W>, Published on Oct. 20, 2015, Downloaded on Dec. 18, 2018.  
“Spigen Neo Hybrid Crystal Galaxy Note 5 Case with Flexible Inner Casing and Reinforced Hard Bumper Frame for Galaxy Note 5 2015—Champagne Gold”, <https://www.amazon.com/dp/B010MWIG1K>, Published on Aug. 22, 2015, Downloaded on Dec. 18, 2018.  
“Spigen Neo Hybrid EX iPhone 6S Plus Case with Flexible Inner Bumper and Reinforced Hard Frame for iPhone 6S Plus/iPhone 6 Plus—Champagne Gold”, <https://www.amazon.com/dp/B010MVR16>, Published on Sep. 4, 2015, Downloaded on Dec. 18, 2018.  
“Spigen Neo Hybrid Carbon Galaxy S6 Edge Plus Case with Carbon Fiber Design and Reinforced Hard Bumper Frame for Galaxy S6 Edge Plus 2015—Dante Red”, <https://www.amazon.com/dp/B010MWHZS0>, Published on Aug. 18, 2015, Downloaded on Dec. 18, 2018.  
“Spigen Neo Hybrid CC Galaxy S6 Edge Case with Flexible Inner Casing and Reinforced Hard Bumper Frame for Galaxy S6 Edge 2015—Blue Topaz”, <https://www.amazon.com/dp/B00USAPGKQ>, Published on Apr. 4, 2015, Downloaded on Dec. 18, 2018.  
“Spigen Neo Hybrid iPhone 6 Case with Flexible Inner Protection and Reinforced Hard Bumper Frame for iPhone 6S / iPhone 6—Gunmetal”, <https://www.amazon.com/dp/B00LL6ZPXU>, Published on Aug. 28, 2014, Downloaded on Dec. 18, 2018.  
“Spigen Neo Hybrid Carbon iPhone 6S Plus Case with Carbon Fiber Design and Reinforced Hard Bumper Frame for iPhone 6S Plus 2015—Gunmetal”, <https://www.amazon.com/dp/B010MVRGMQ>, Published on Sep. 11, 2015 Downloaded on Dec. 18, 2018.  
Danny Winget, “Spigen SGP Neo Hybrid for Galaxy Note 3 Review”, <https://www.youtube.com/watch?v=W80JtBDSckk>, Published on Nov. 3, 2013, Downloaded on Dec. 20, 2018.  
“Spigen Neo Hybrid Galaxy S4 Case with Flexible Inner Protection and Reinforced Hard Bumper Frame for Galaxy S4 2013—Dante Red”, <https://www.amazon.com/dp/B00BYJX11Y>, Published on May 9, 2013, Downloaded on Jan. 22, 2019.  
“Spigen Neo Hybrid Galaxy S5 Case with Flexible Inner Protection and Reinforced Hard Bumper Frame for Samsung Galaxy S5 2014—Electric Blue”, <https://www.amazon.com/dp/B00I3UWJJY>, Published on Apr. 12, 2014, Downloaded on Jan. 22, 2019.  
Spigen, “Installation video of Spigen SGP Case Neo Hybrid EX on iPhone 5”, <https://www.youtube.com/watch?v=X2GAS9FT6U4>, Published on Oct. 11, 2012, Downloaded on Feb. 20, 2019.  
Spigen, “Installation video of SGP Neo Hybrid Case”, <https://www.youtube.com/watch?v=mVASro4MsEg>, Published on Oct. 30, 2009, Downloaded on Feb. 21, 2019.  
Spigen, “Installation video of SGP Case Neo Hybrid EX on Galaxy S2”, <https://www.youtube.com/watch?v=ZPhSIAUxXWg>, Published on Aug. 24, 2011, Downloaded on Feb. 21, 2019.  
Spigen, “Installation video of SGP Neo Hybrid2”, [https://www.youtube.com/watch?v=y5\\_NdOVOZ0](https://www.youtube.com/watch?v=y5_NdOVOZ0), Published on May 25, 2010, Downloaded on Feb. 21, 2019.  
Spigen, “Neo Hybrid Case for Galaxy S3”, <https://www.youtube.com/watch?v=IgpahRniVku>, Published on Jun. 27, 2012, Downloaded on Feb. 21, 2019.  
Metagmers, “Spigen Neo Hybrid iPhone 5 & 5s Case Review”, <https://www.youtube.com/watch?v=vTvTYZfSmal>, Published on Jul. 21, 2013, Downloaded on Feb. 21, 2019.

\* cited by examiner

FIG. 1

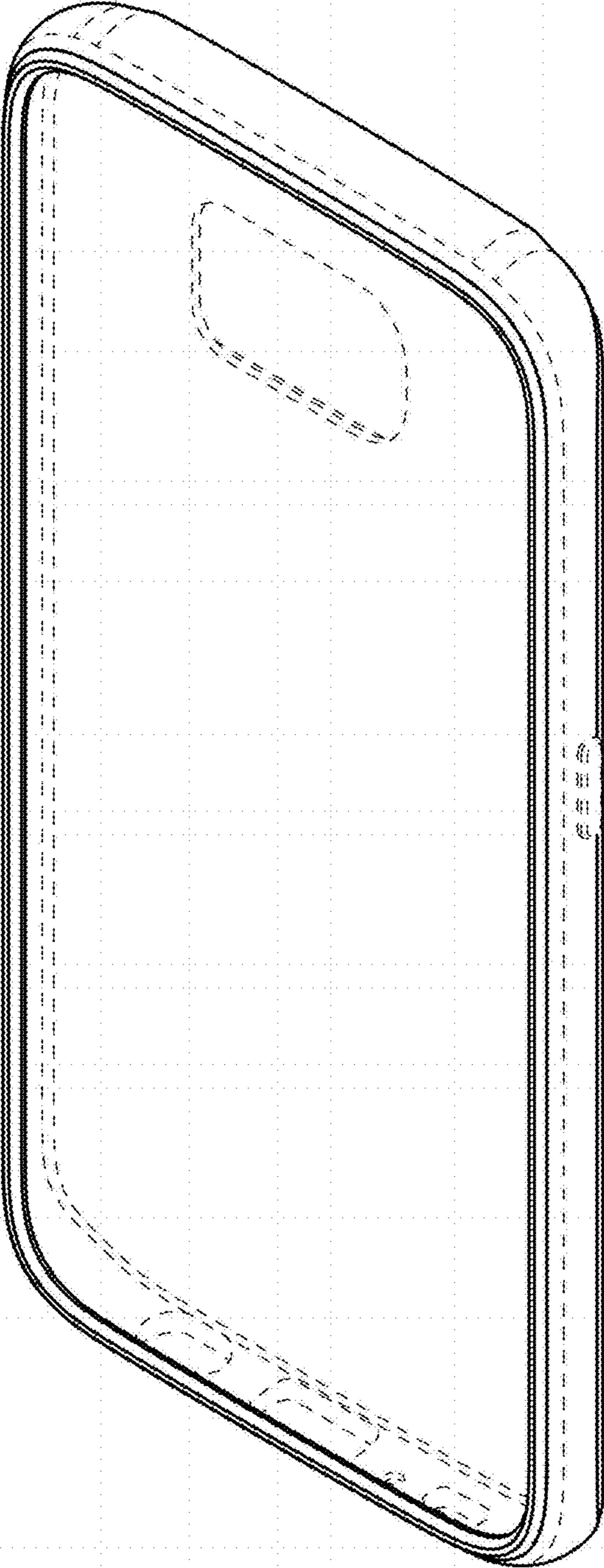


FIG. 2

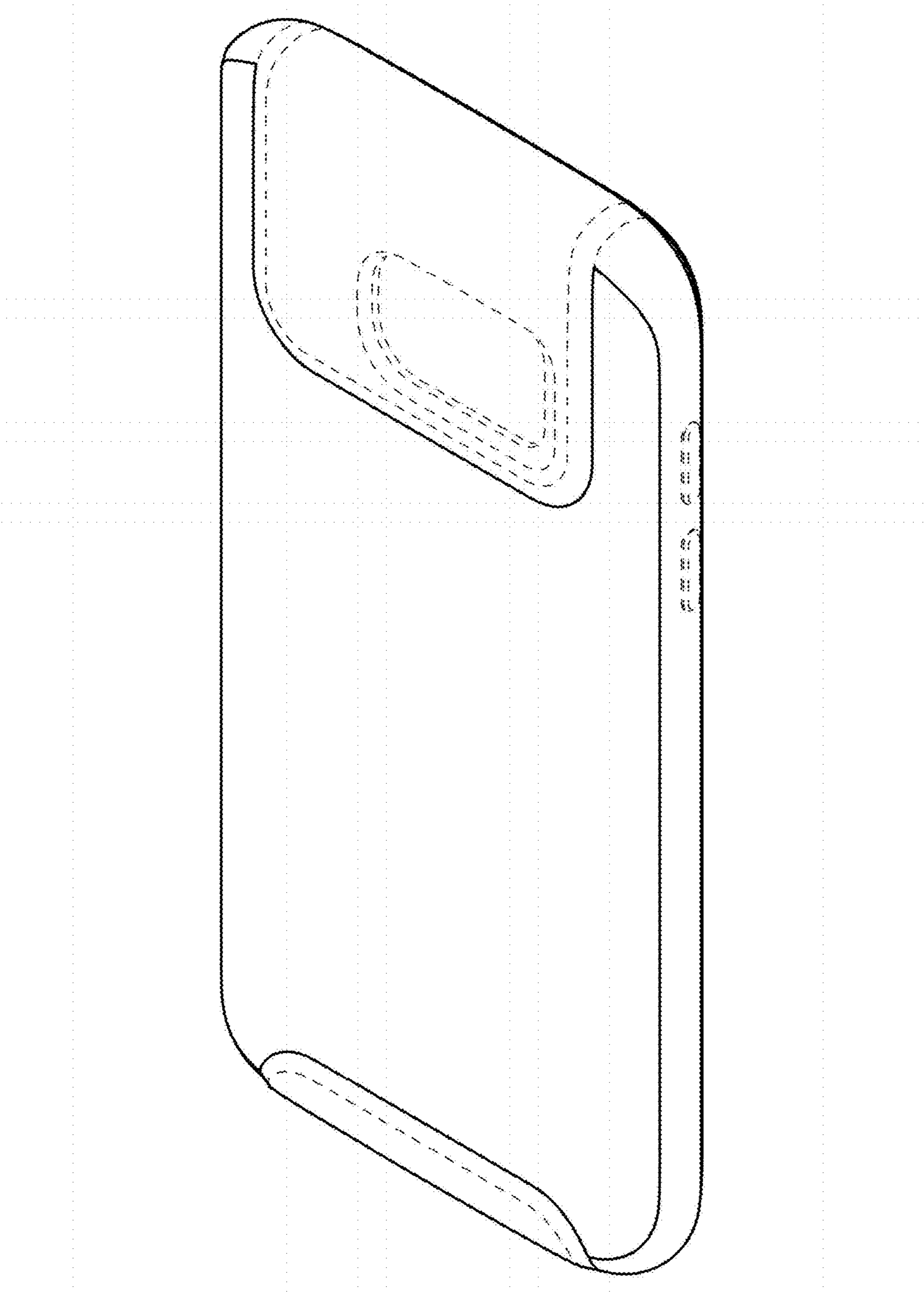


FIG. 3

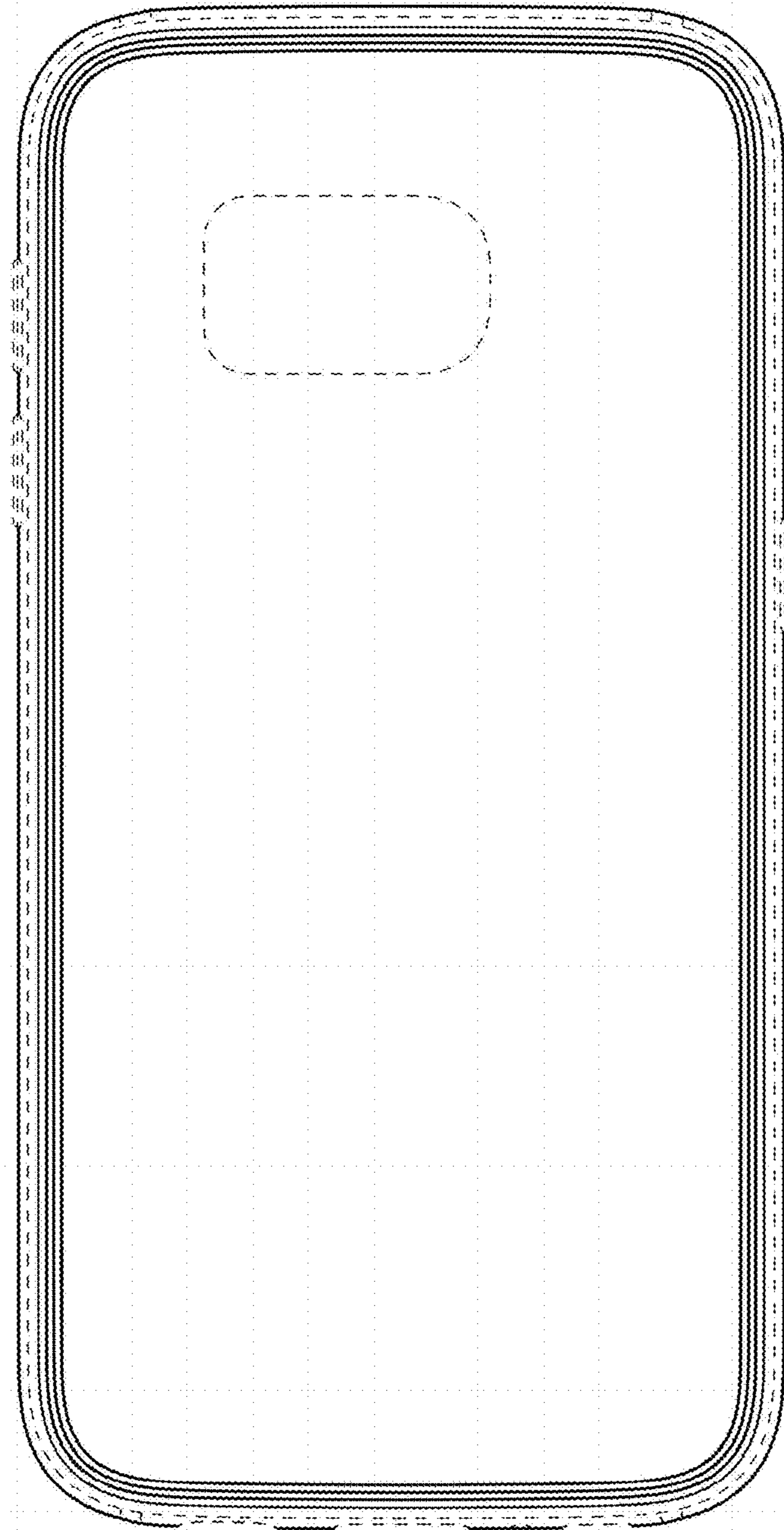


FIG. 4

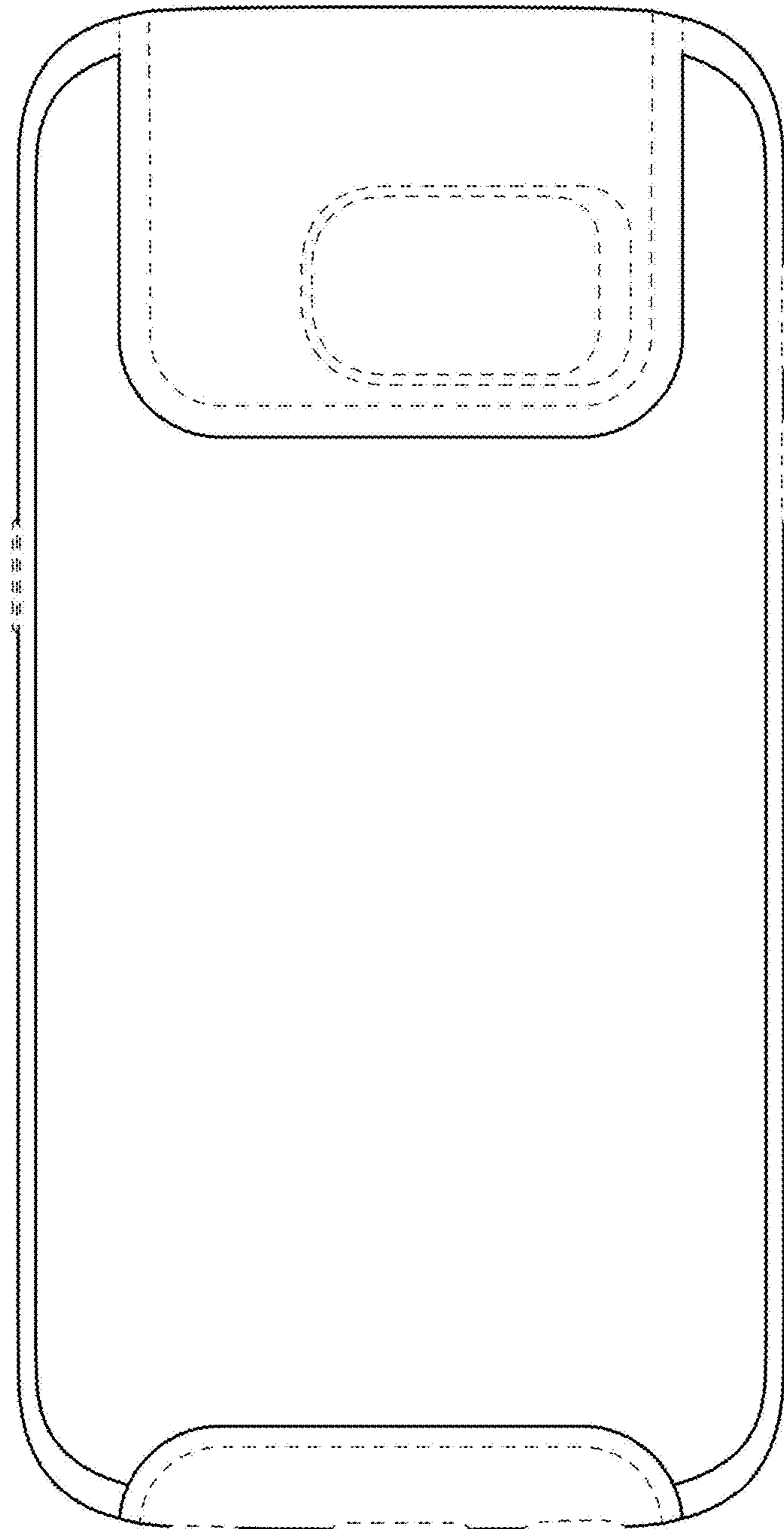


FIG. 5

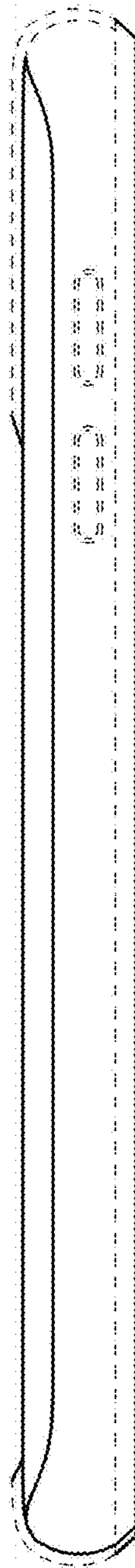


FIG. 6

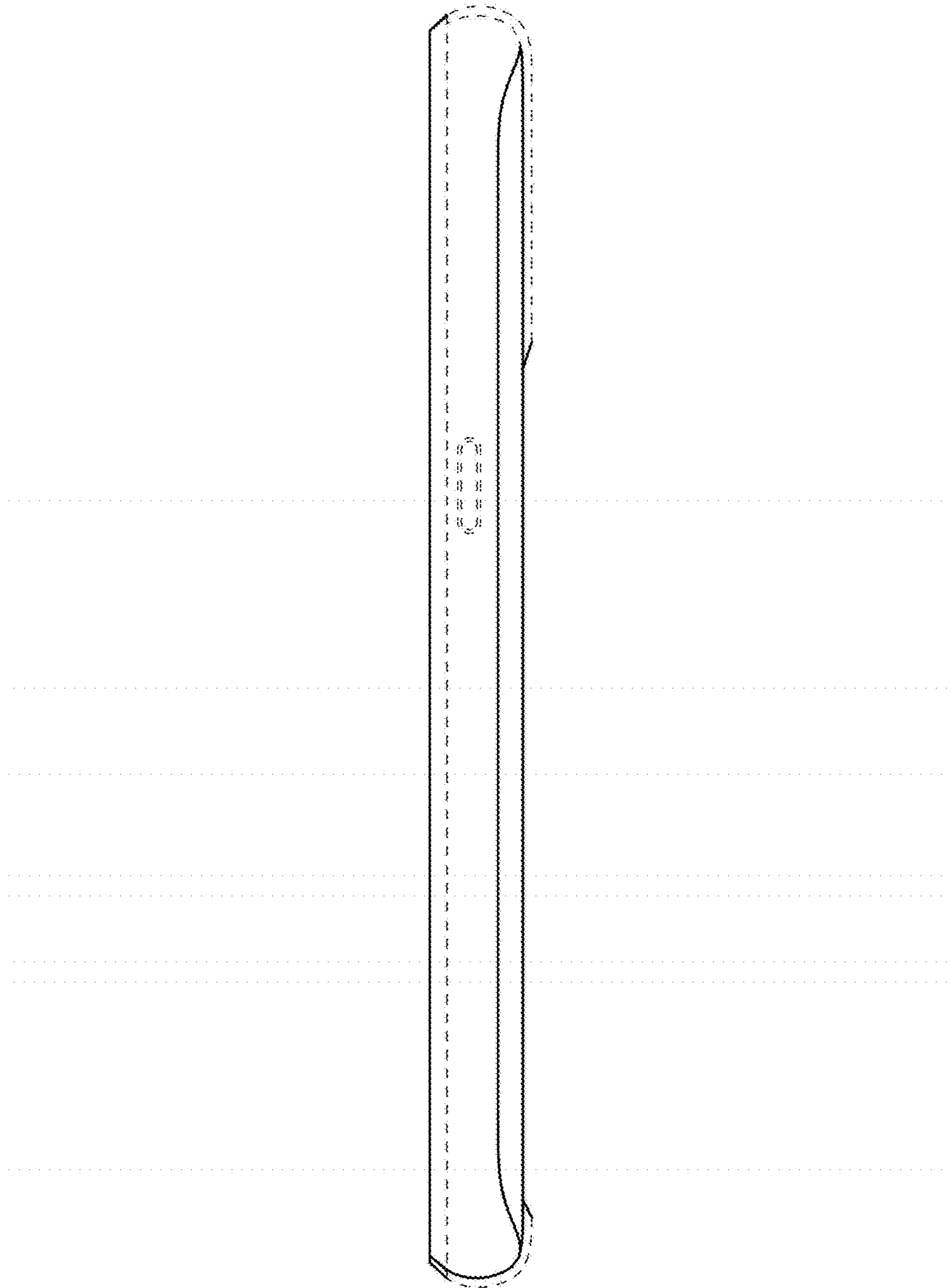




FIG. 7

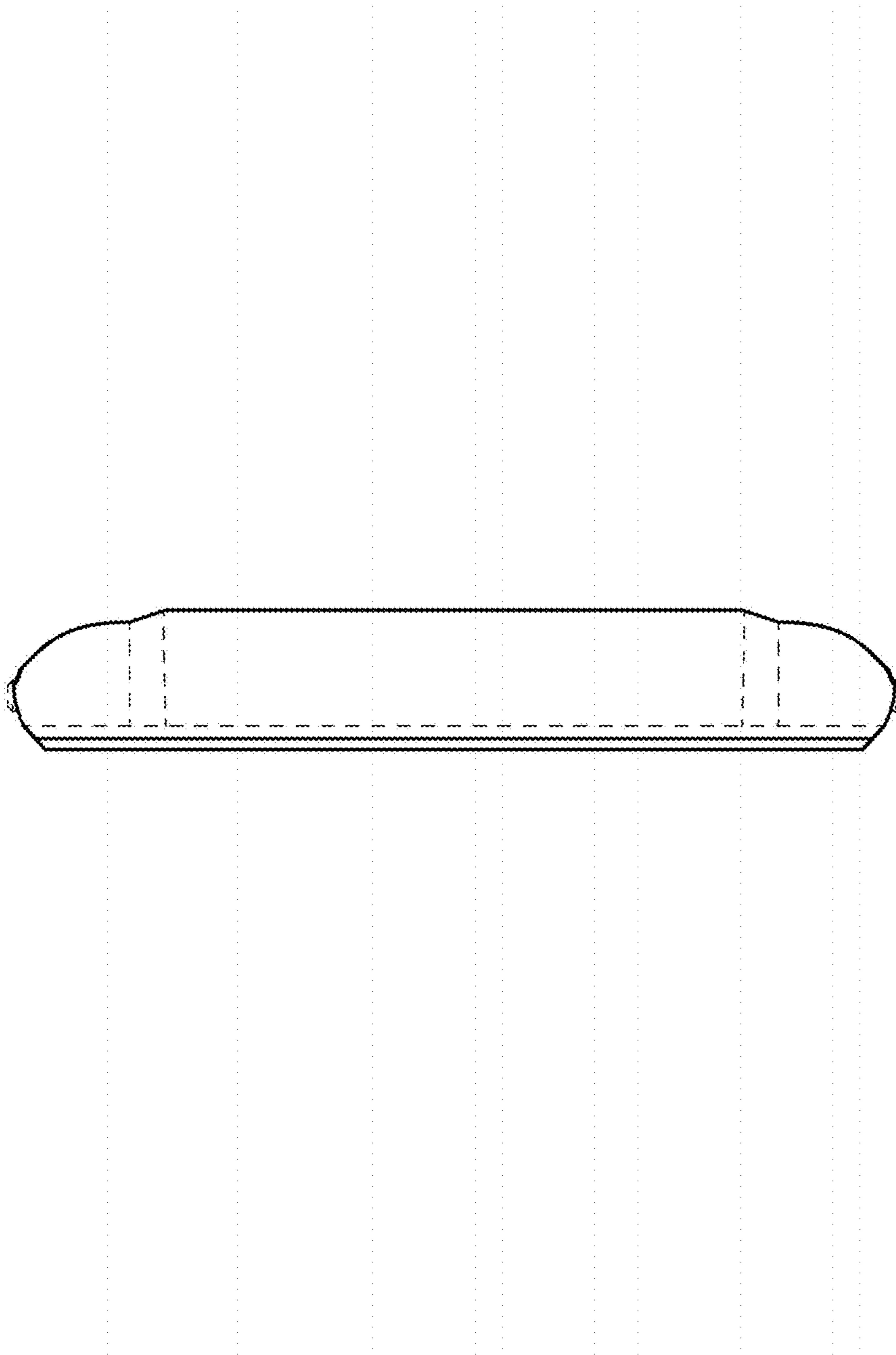


FIG. 8

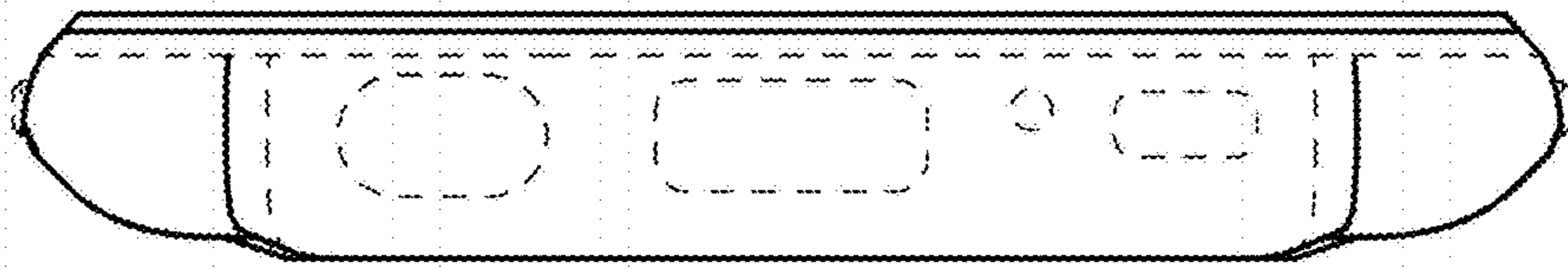


FIG. 9

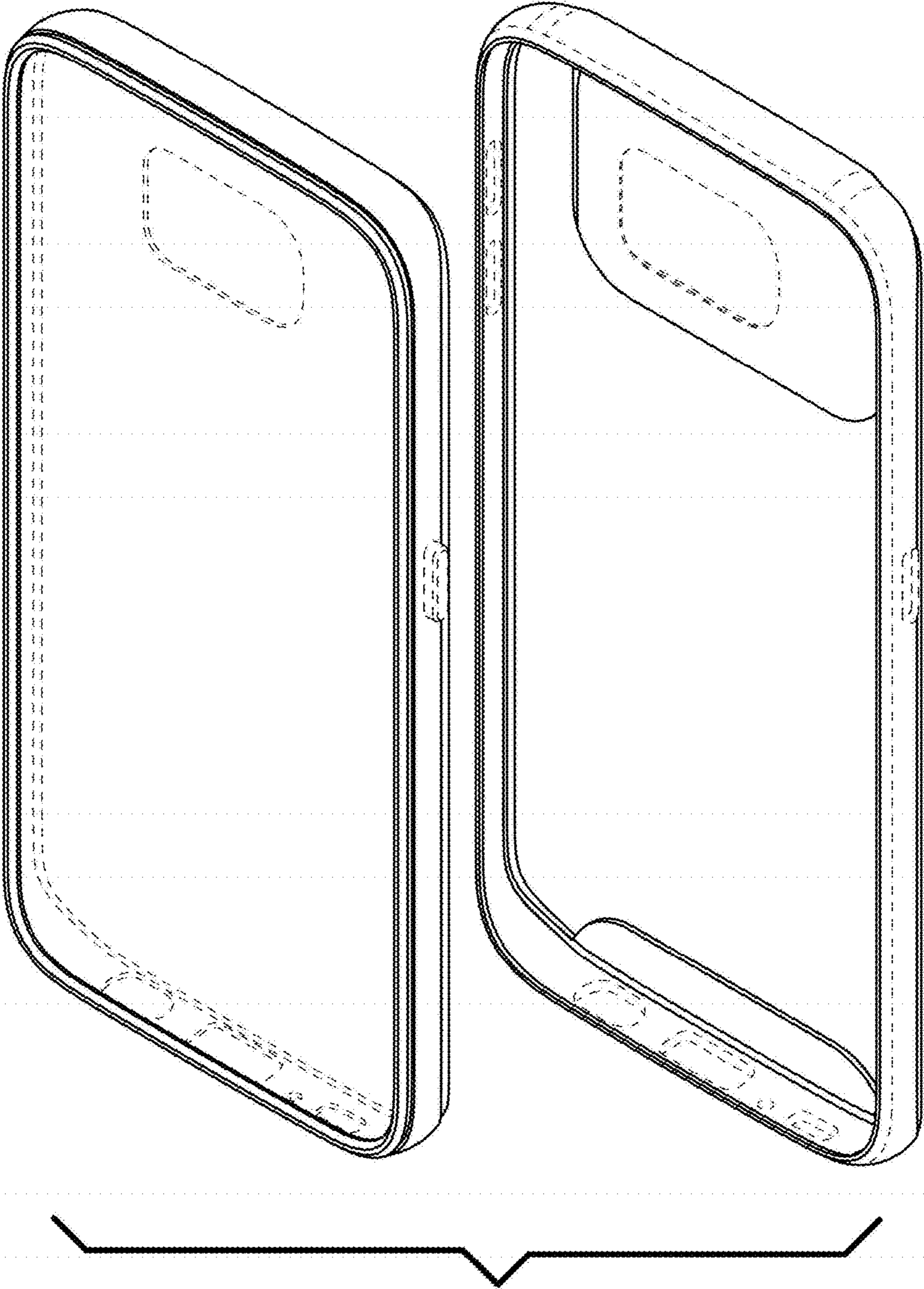


FIG. 10

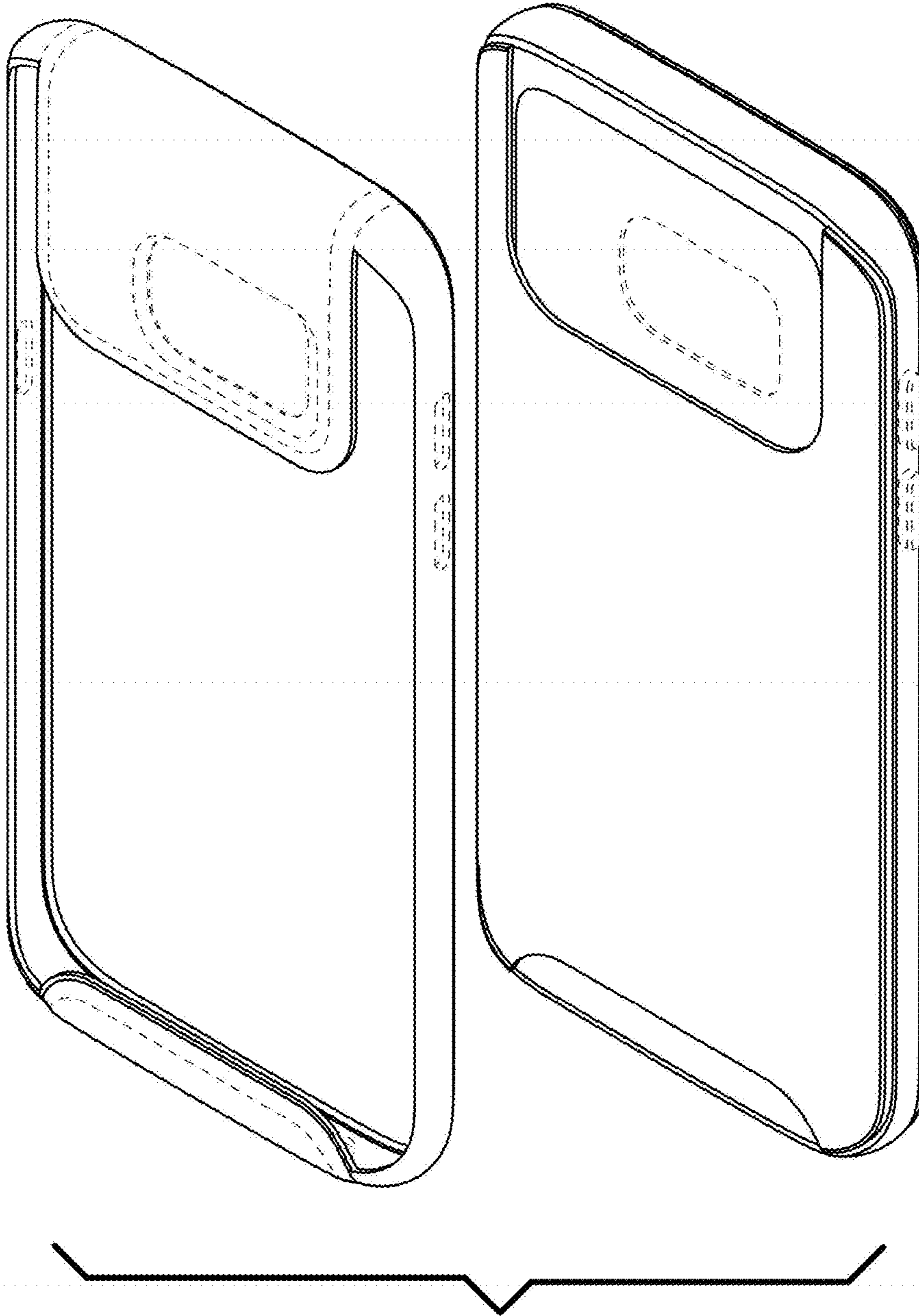


FIG. 11

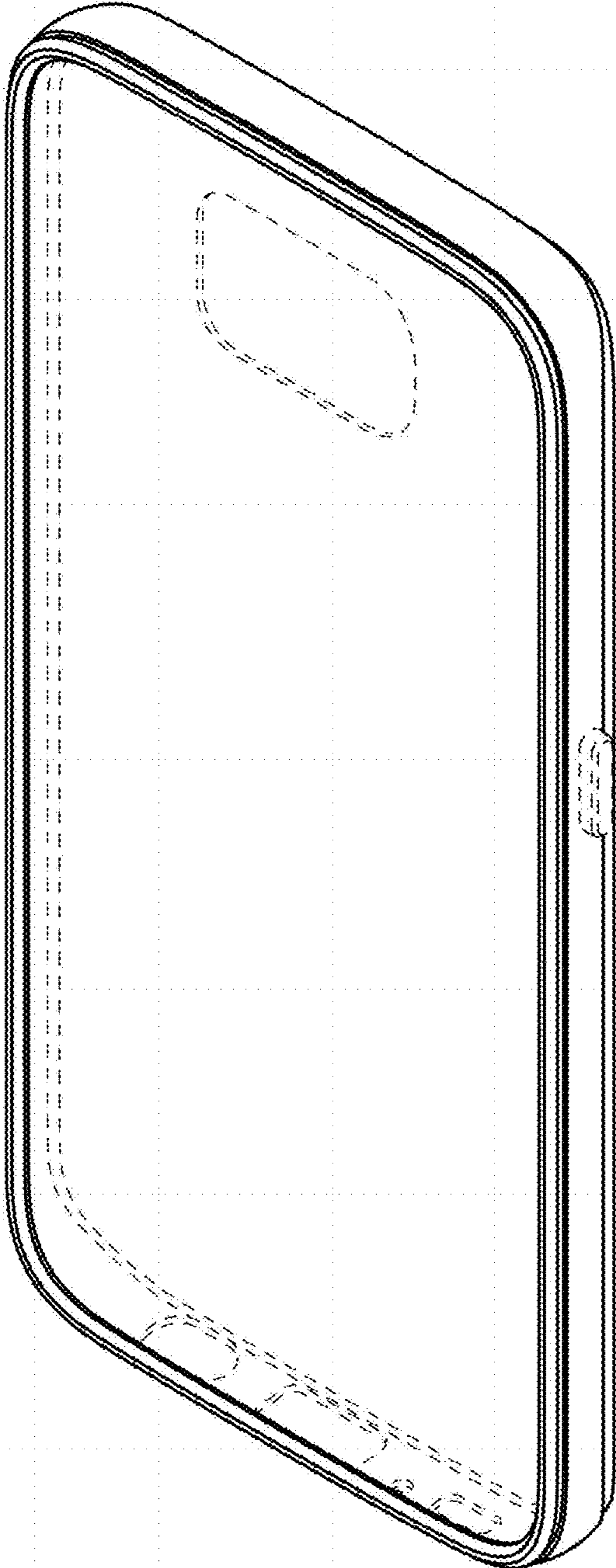


FIG. 12

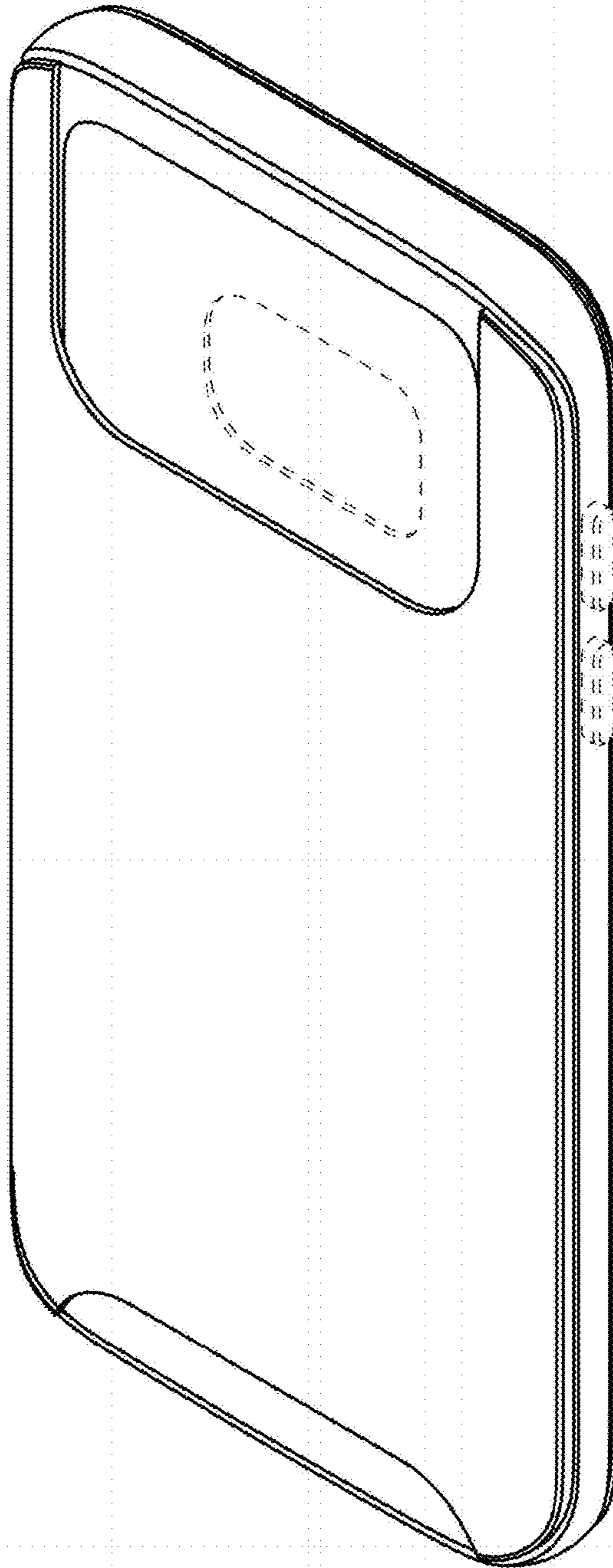


FIG. 13

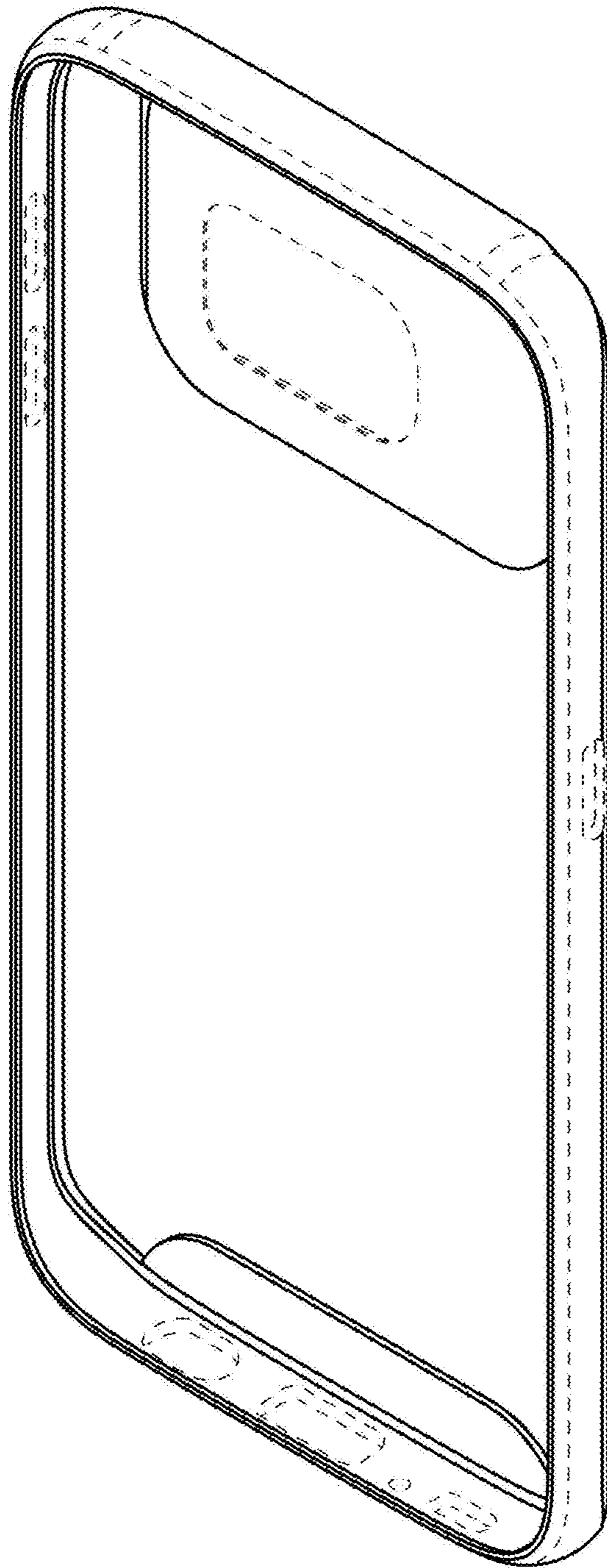


FIG. 14

