



US00D868759S

(12) **United States Design Patent** (10) **Patent No.:** **US D868,759 S**
He et al. (45) **Date of Patent:** **** Dec. 3, 2019**

(54) **ANTENNA**

(71) Applicant: **Airgain Incorporated**, San Diego, CA (US)

(72) Inventors: **Ziming He**, Irvine, CA (US); **Xiangjie Bian**, Zhang Jia Gang (CN)

(73) Assignee: **Airgain Incorporated**, San Diego, CA (US)

(**) Term: **15 Years**

(21) Appl. No.: **29/688,299**

(22) Filed: **Apr. 19, 2019**

Related U.S. Application Data

(62) Division of application No. 29/654,074, filed on Jun. 20, 2018, now Pat. No. Des. 848,987, which is a division of application No. 29/631,613, filed on Dec. 30, 2017, now Pat. No. Des. 821,368, which is a division of application No. 29/610,824, filed on Jul. 16, 2017, now Pat. No. Des. 807,864, which is a division of application No. 29/555,959, filed on Feb. 25, 2016, now Pat. No. Des. 792,381.

(51) **LOC (12) Cl.** **14-03**

(52) **U.S. Cl.**
USPC **D14/230**

(58) **Field of Classification Search**
USPC D14/230, 232, 233, 234, 235, 236, 237, D14/238, 238.1, 299, 358; D13/182
CPC H01Q 1/088; H01Q 3/10; H01Q 21/00; H04B 7/0608; A61B 2018/1892
See application file for complete search history.

(56) **References Cited**

U.S. PATENT DOCUMENTS

7,489,278	B2 *	2/2009	Huang	H01Q 9/0421
					343/700 MS
D791,108	S *	7/2017	He	D14/230
D795,848	S *	8/2017	Zheng	D14/230
D799,453	S *	10/2017	Chang	D14/230
D807,864	S *	1/2018	He	D14/230
D821,367	S *	6/2018	Zheng	D14/230
D821,368	S *	6/2018	He	D14/230
D825,538	S *	8/2018	He	D14/230
D848,986	S *	5/2019	Zheng	D14/230
D848,987	S *	5/2019	He	D14/230
2005/0259024	A1 *	11/2005	Hung	H01Q 1/36
					343/770

* cited by examiner

Primary Examiner — Khawaja Anwar

Assistant Examiner — Mojtaba Tehrani

(74) *Attorney, Agent, or Firm* — Clause Eight IPS; Michael Catania

(57) **CLAIM**

The ornamental design for an antenna, as shown and described.

DESCRIPTION

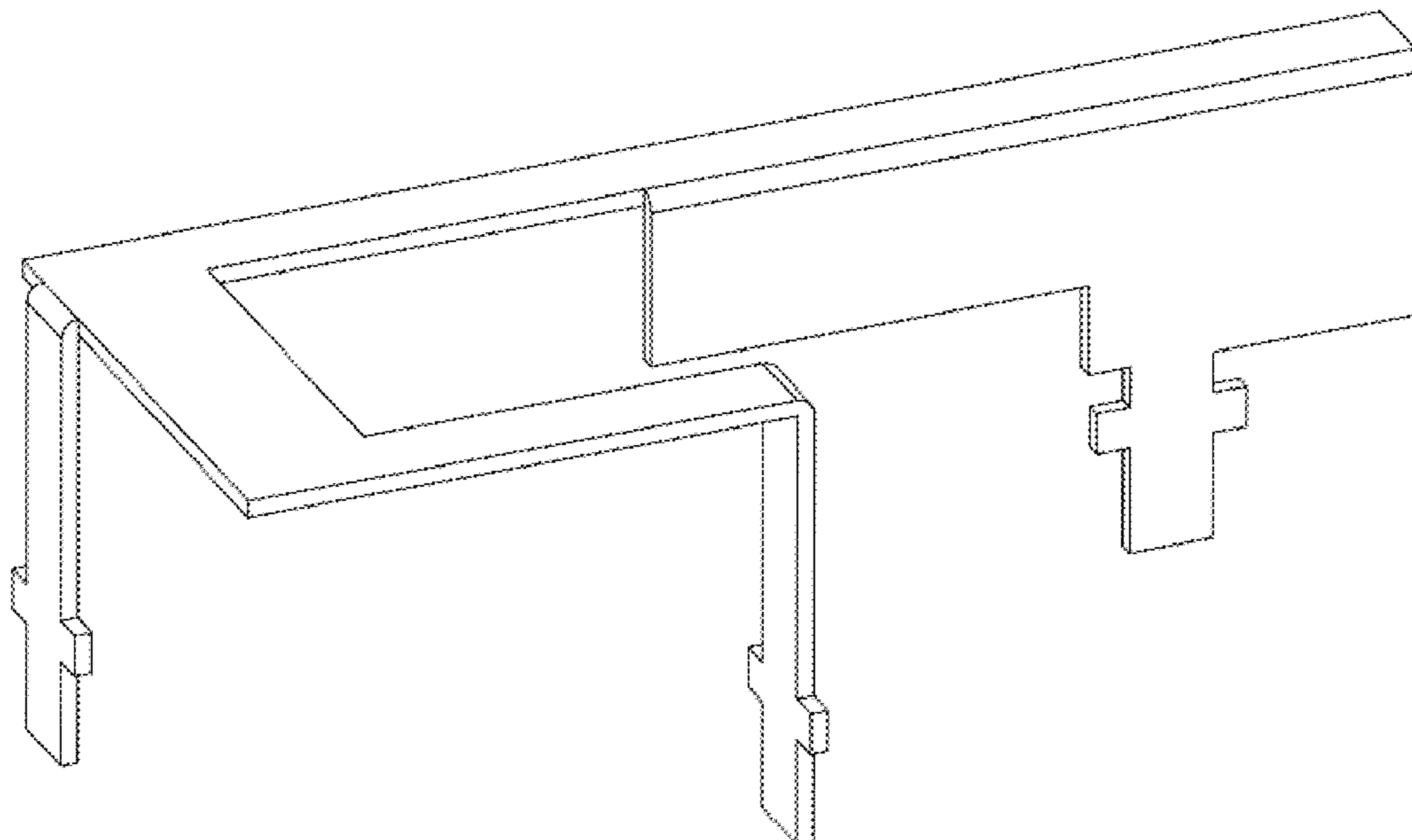
FIG. 1 is a top perspective view of an antenna showing our new design;

FIG. 2 is a top plan view thereof;

FIG. 3 is a front elevation view thereof; and,

FIG. 4 is a side elevation view thereof.

1 Claim, 1 Drawing Sheet



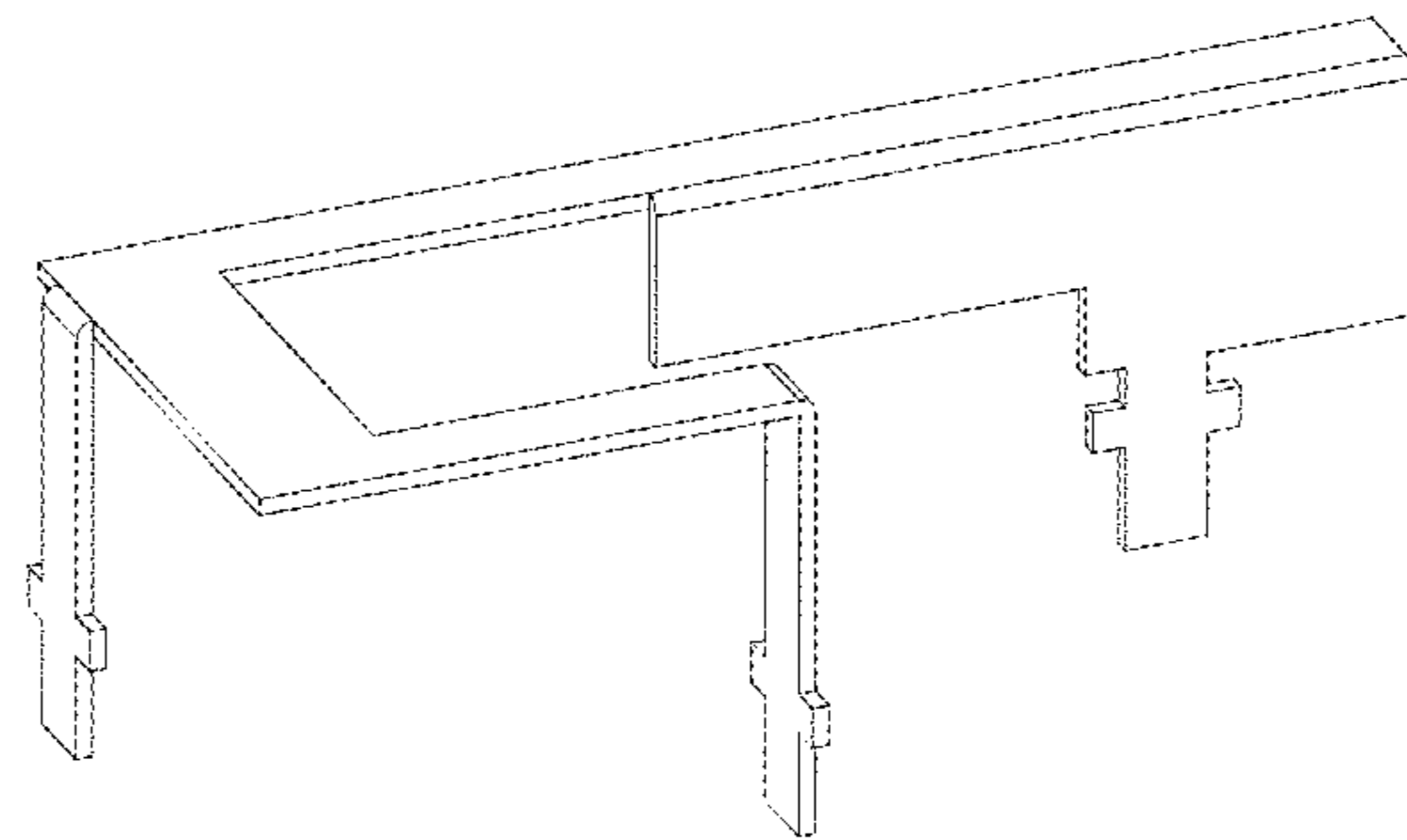


FIG. 1

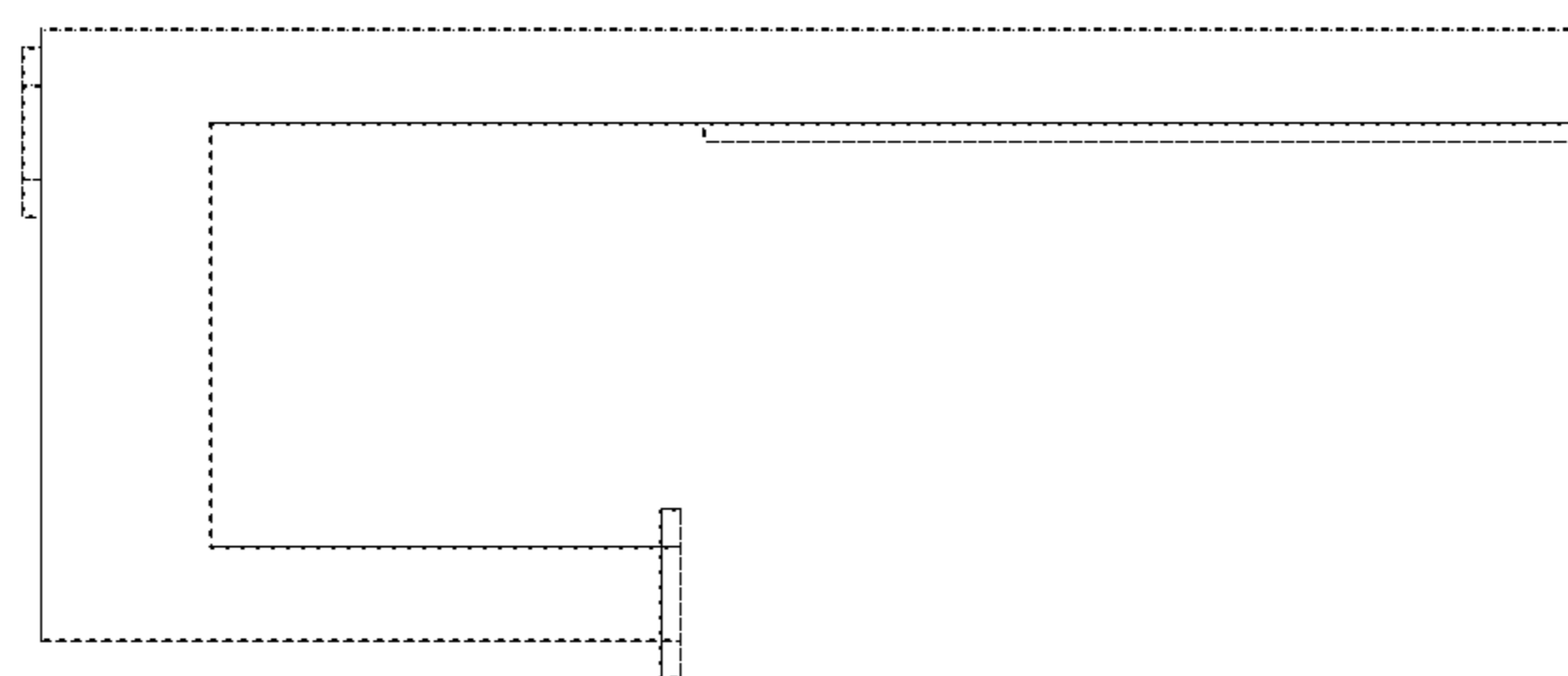


FIG. 2

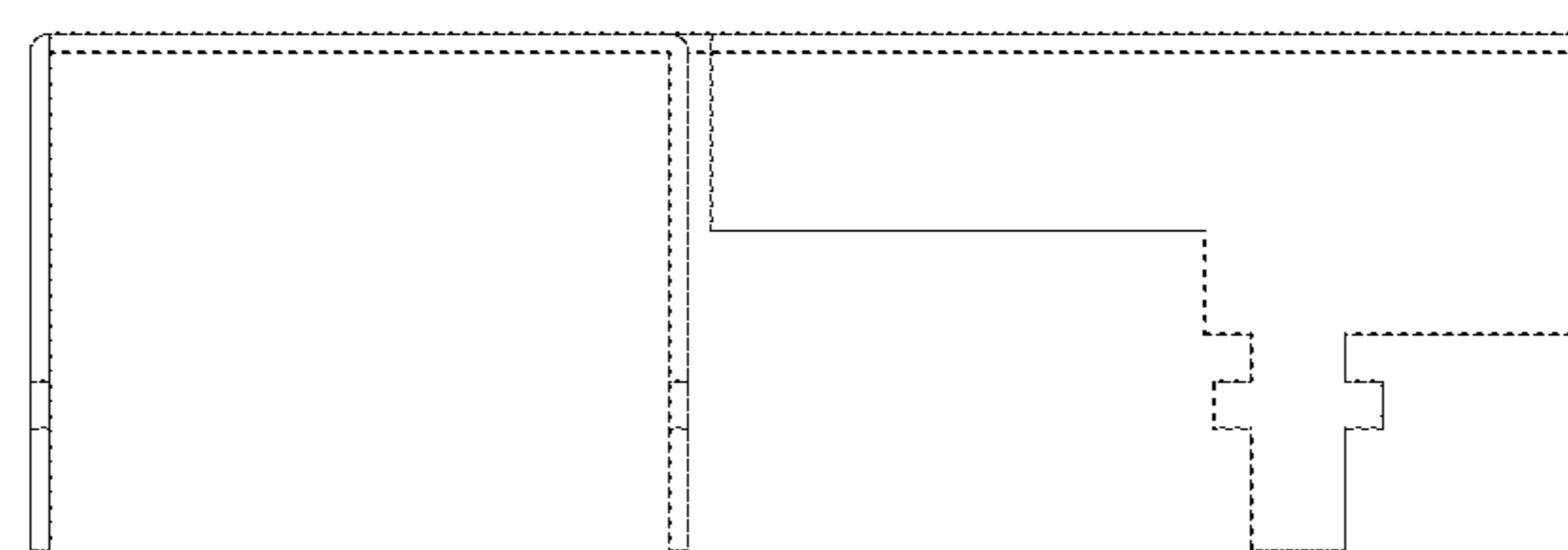


FIG. 3

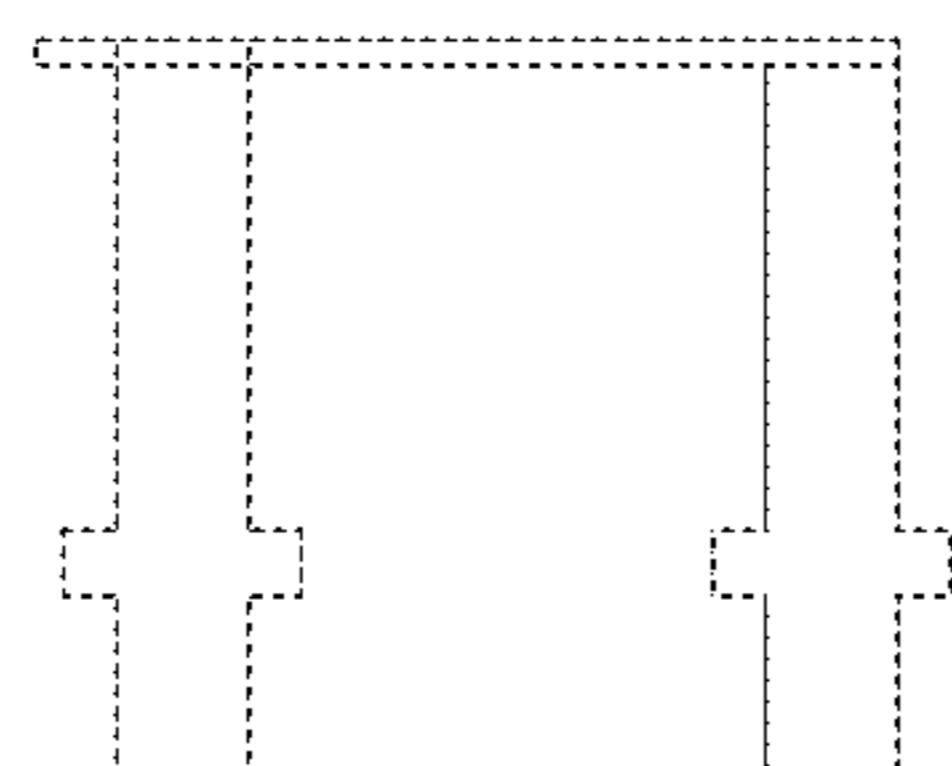


FIG. 4