

US00D868757S

(12) **United States Design Patent** (10) **Patent No.:** **US D868,757 S**
He et al. (45) **Date of Patent:** **** Dec. 3, 2019**

(54) **MULTI-ELEMENT ANTENNA**
(71) Applicant: **Airgain Incorporated**, San Diego, CA (US)
(72) Inventors: **Ziming He**, Irvine, CA (US); **Bei Zheng**, Zhang Jia Gang (CN)
(73) Assignee: **Airgain Incorporated**, San Diego, CA (US)
(**) Term: **15 Years**
(21) Appl. No.: **29/653,755**
(22) Filed: **Jun. 18, 2018**
(51) **LOC (12) Cl.** **14-03**
(52) **U.S. Cl.**
USPC **D14/230**
(58) **Field of Classification Search**
USPC D14/138, 230-238, 299, 358; D12/42, D12/43
CPC H01Q 7/00; H01Q 13/10; H01Q 9/285; H01Q 19/30; H01Q 19/12; H01Q 1/38; H01Q 1/36; H01Q 2/0027; H01Q 1/48; H01Q 9/045; H01Q 1/243; H04B 1/0475; H04B 1/034; H05K 11/00
See application file for complete search history.

D592,195 S 5/2009 Wu et al.
7,570,215 B2 8/2009 Abramov et al.
D599,334 S 9/2009 Chiang
D606,053 S 12/2009 Wu et al.
D607,442 S 1/2010 Su et al.
D608,769 S 1/2010 Bufe
D612,368 S 3/2010 Yang et al.
7,705,783 B2 4/2010 Rao et al.
7,729,662 B2 6/2010 Abramov et al.
D621,819 S 8/2010 Tsai et al.
7,843,390 B2 11/2010 Liu
D633,483 S 3/2011 Su et al.
D635,127 S 3/2011 Tsai et al.
7,907,971 B2 3/2011 Salo et al.
D635,560 S 4/2011 Tsai et al.
D635,963 S 4/2011 Podduturi
D635,964 S 4/2011 Podduturi
D635,965 S 4/2011 Mi et al.
D636,382 S 4/2011 Podduturi
7,965,242 B2 6/2011 Abramov et al.

(Continued)

Primary Examiner — John Windmuller

(74) *Attorney, Agent, or Firm* — Clause Eight IPS; Michael Catania

(57) **CLAIM**

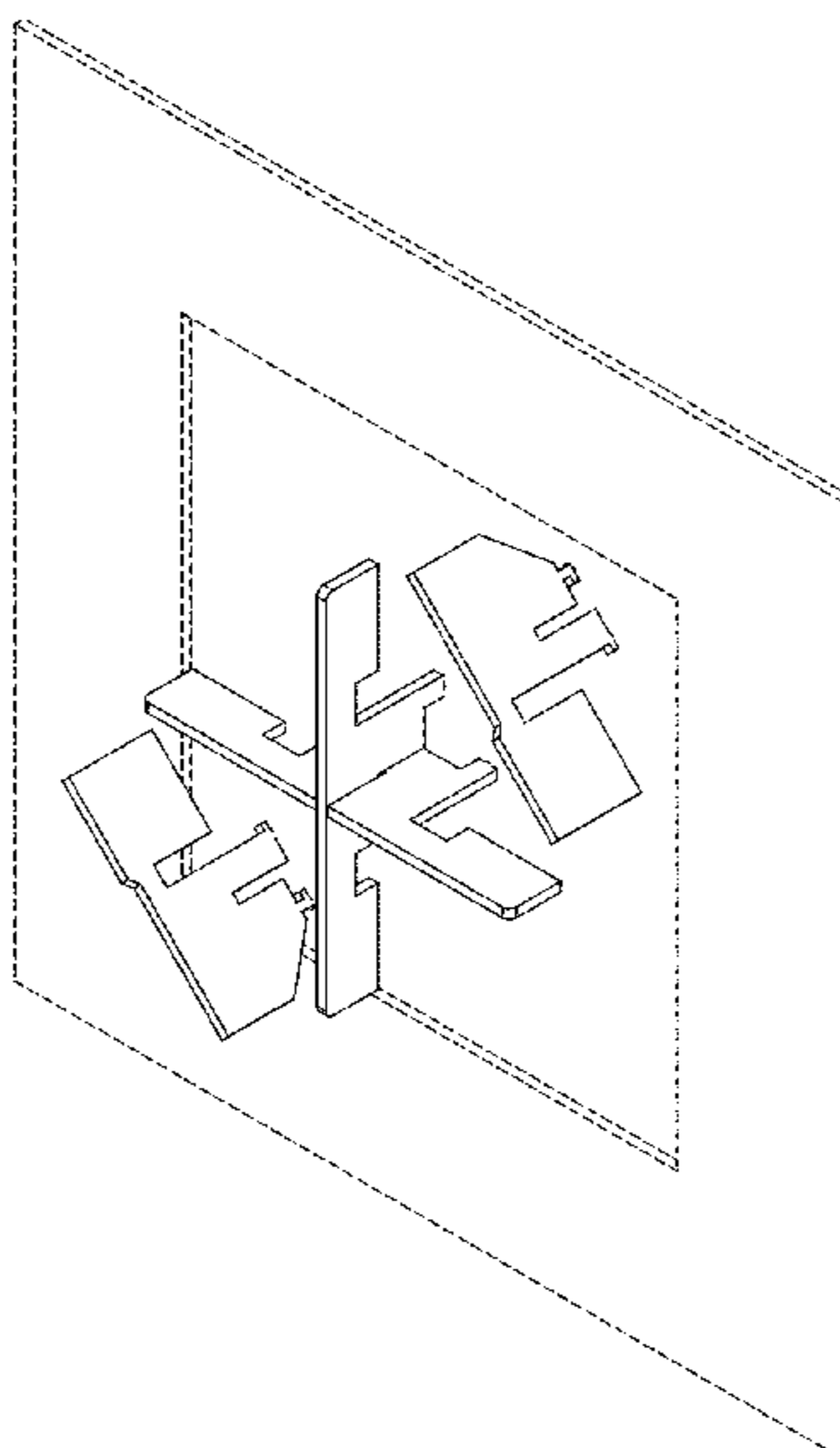
The ornamental design for a multi-element antenna, as shown and described.

DESCRIPTION

FIG. 1 is a top plan view of a multi-element antenna, showing our new design;
FIG. 2 is a side elevation view thereof
FIG. 3 is a side elevation view thereof;
FIG. 4 is a front elevation view thereof;
FIG. 5 is a rear elevation view thereof;
FIG. 6 is a bottom plan view thereof; and,
FIG. 7 is a top perspective view thereof.
The broken lines show unclaimed environment only and form no part of the claimed design.

1 Claim, 7 Drawing Sheets

(56) **References Cited**
U.S. PATENT DOCUMENTS
7,061,437 B2 6/2006 Lin et al.
7,148,849 B2 12/2006 Lin
7,215,296 B2 5/2007 Abramov et al.
D546,821 S 7/2007 Oliver
D549,696 S 8/2007 Oshima et al.
7,333,067 B2 2/2008 Hung et al.
7,336,959 B2 2/2008 Khitrik et al.
D573,589 S 7/2008 Montgomery et al.
7,405,704 B1 8/2008 Lin et al.
7,477,195 B2 1/2009 Vance



(56)

References Cited

U.S. PATENT DOCUMENTS

8,063,847 B2* 11/2011 Du H01Q 1/38
343/799

D649,962 S 12/2011 Tseng et al.
D651,198 S 12/2011 Mi et al.
D654,059 S 2/2012 Mi et al.
D654,060 S 2/2012 Ko et al.
D658,639 S 5/2012 Huang et al.
D659,129 S 5/2012 Mi et al.
D659,685 S 5/2012 Huang et al.
D659,688 S 5/2012 Huang et al.
8,175,036 B2 5/2012 Visuri et al.
8,184,601 B2 5/2012 Abramov et al.
D662,916 S 7/2012 Huang et al.
8,248,970 B2 8/2012 Abramov et al.
D671,097 S 11/2012 Mi et al.
8,310,402 B2 11/2012 Yang
D676,429 S 2/2013 Gosalia et al.
D678,255 S 3/2013 Ko et al.
8,423,084 B2 4/2013 Abramov et al.
D684,565 S 6/2013 Wei
D685,352 S 7/2013 Wei
D685,772 S 7/2013 Zheng et al.
D686,600 S 7/2013 Yang
D689,474 S 9/2013 Yang et al.
D692,870 S 11/2013 He
D694,738 S 12/2013 Yang
D695,279 S 12/2013 Yang et al.
D695,280 S 12/2013 Yang et al.
D703,195 S 4/2014 Zheng
D703,196 S 4/2014 Zheng
D706,247 S 6/2014 Zheng et al.
D706,750 S 6/2014 Bringuir

D706,751 S 6/2014 Chang et al.
D708,602 S 7/2014 Gosalia et al.
D709,053 S 7/2014 Chang et al.
D710,832 S 8/2014 Yang
D710,833 S 8/2014 Zheng et al.
8,854,265 B1 10/2014 Yang et al.
D716,775 S 11/2014 Bidermann
D733,104 S* 6/2015 Yang D14/230
D815,071 S* 4/2018 Yang D14/230
10,224,643 B2* 3/2019 Moon H01Q 21/062
D859,371 S* 9/2019 Montgomery D14/230
2002/0003499 A1 1/2002 Kouam et al.
2004/0222936 A1 11/2004 Hung et al.
2005/0073462 A1 4/2005 Lin et al.
2005/0190108 A1 9/2005 Lin et al.
2005/0237258 A1* 10/2005 Abramov H01Q 3/24
343/834

2006/0208900 A1 9/2006 Tavassoli Hozouri
2007/0030203 A1 2/2007 Tsai et al.
2008/0150829 A1 6/2008 Lin et al.
2009/0002244 A1 1/2009 Woo
2009/0058739 A1 3/2009 Konishi
2009/0135072 A1 5/2009 Ke et al.
2009/0262028 A1 10/2009 Murnbru et al.
2009/0278759 A1* 11/2009 Moon H01Q 1/246
343/810

2010/0171664 A1* 7/2010 Yang H01Q 1/2266
343/700 MS

2010/0188297 A1 7/2010 Chen et al.
2010/0309067 A1 12/2010 Tsou et al.
2011/0006950 A1 1/2011 Park et al.
2012/0038514 A1 2/2012 Bang
2012/0229348 A1 9/2012 Chiang
2012/0242546 A1 9/2012 Hu et al.

* cited by examiner

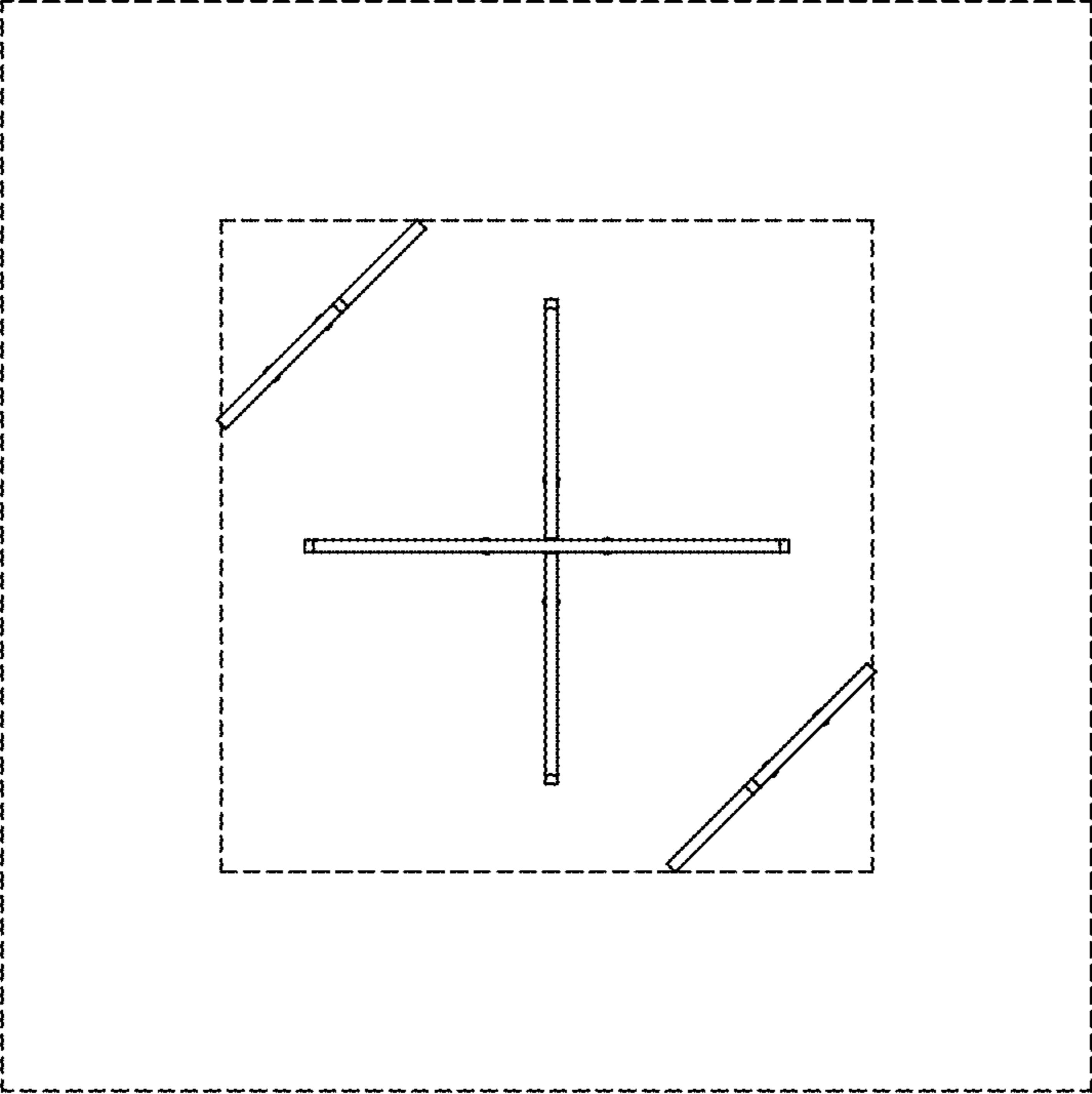


FIG. 1

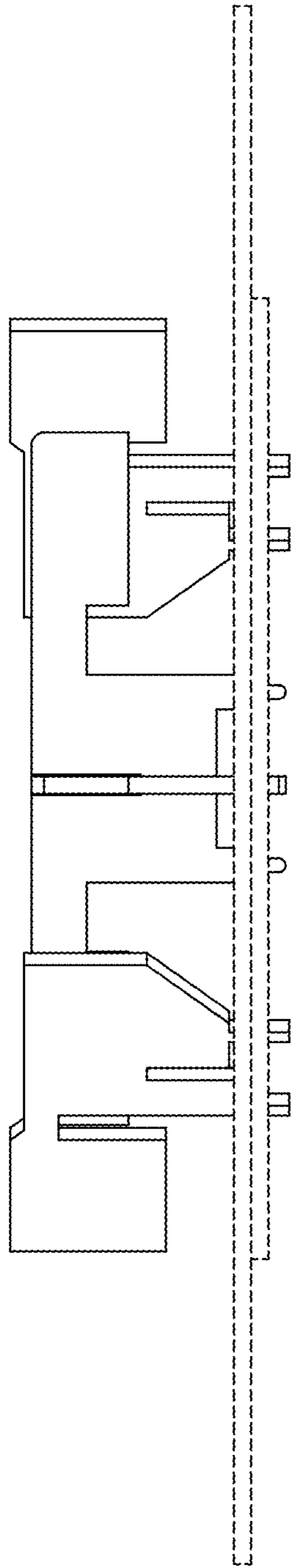


FIG. 2

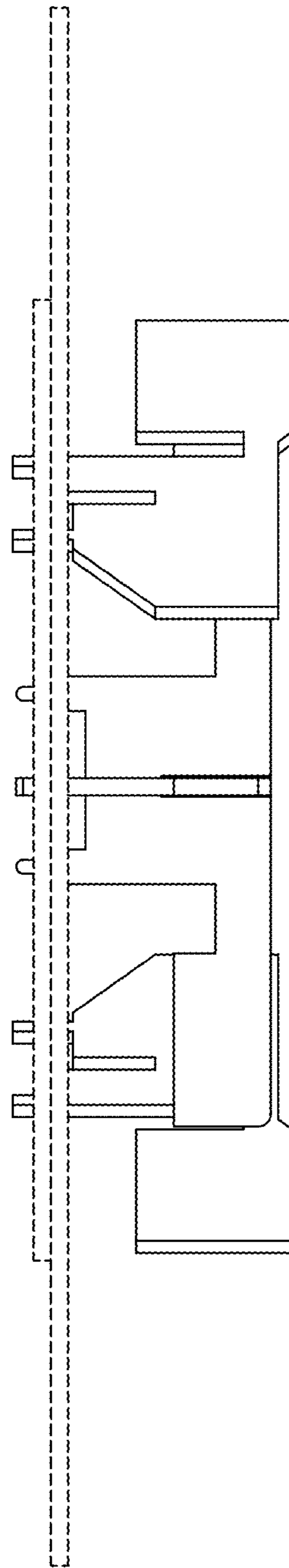


FIG. 3

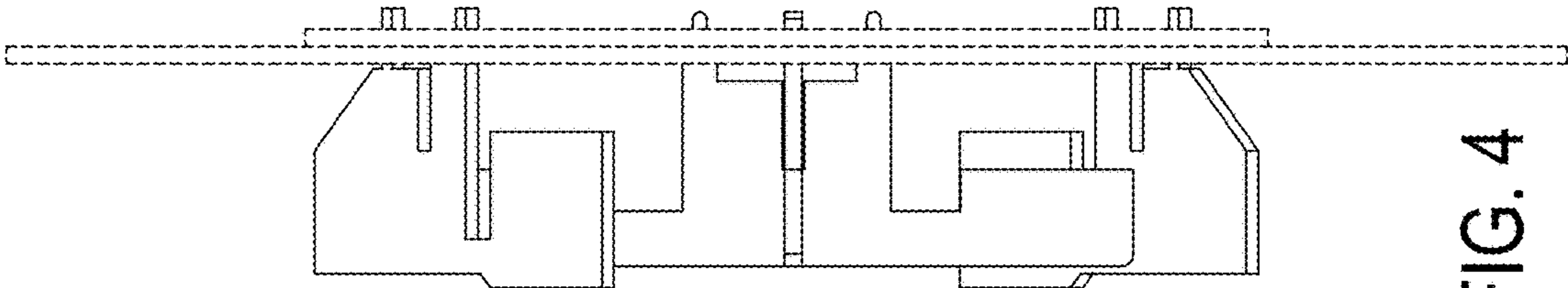


FIG. 4

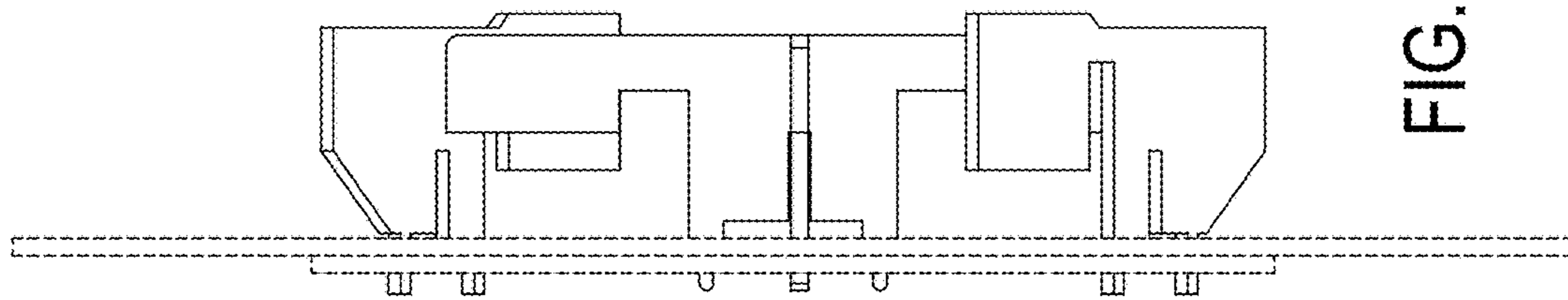


FIG. 5

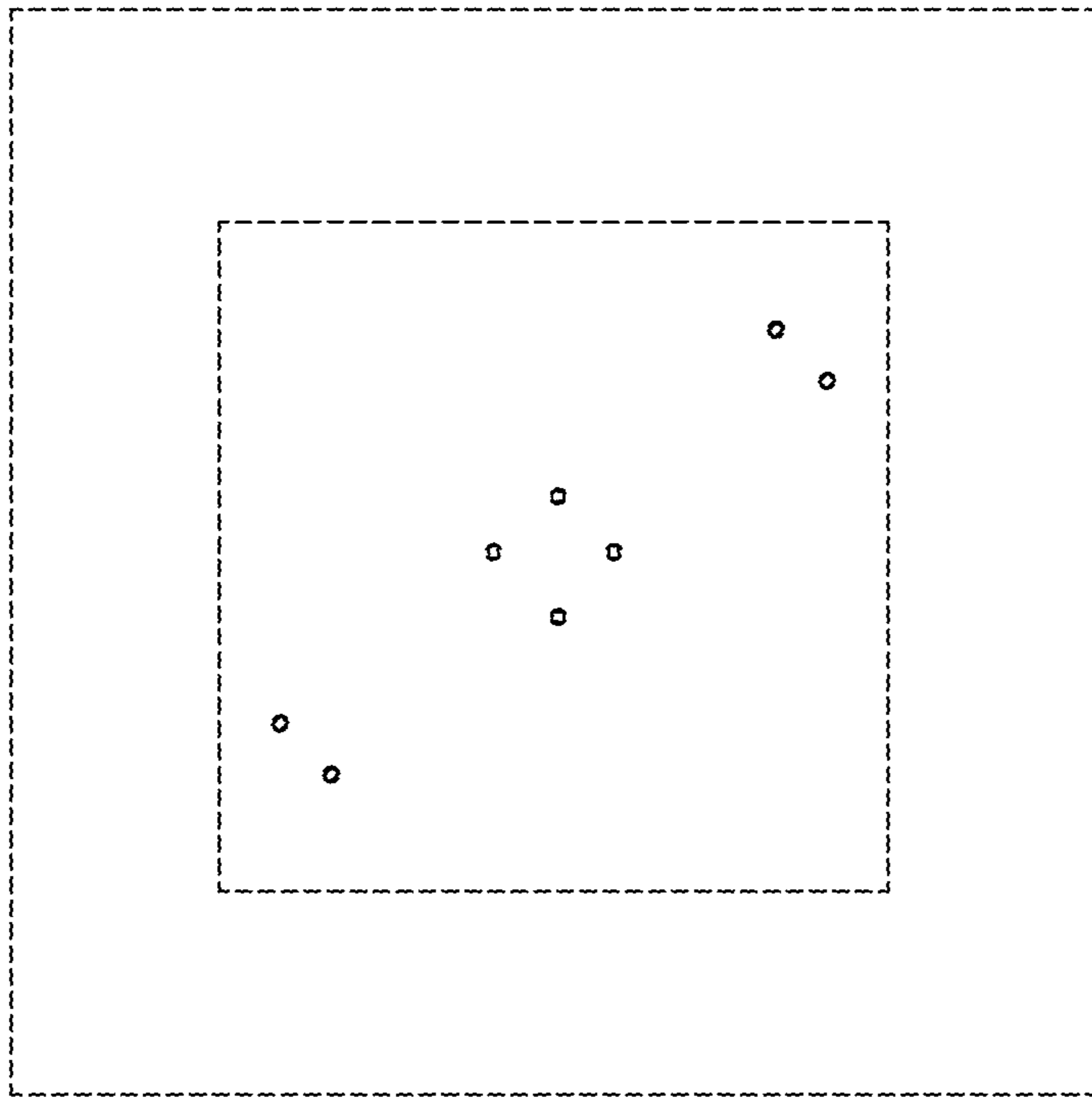


FIG. 6

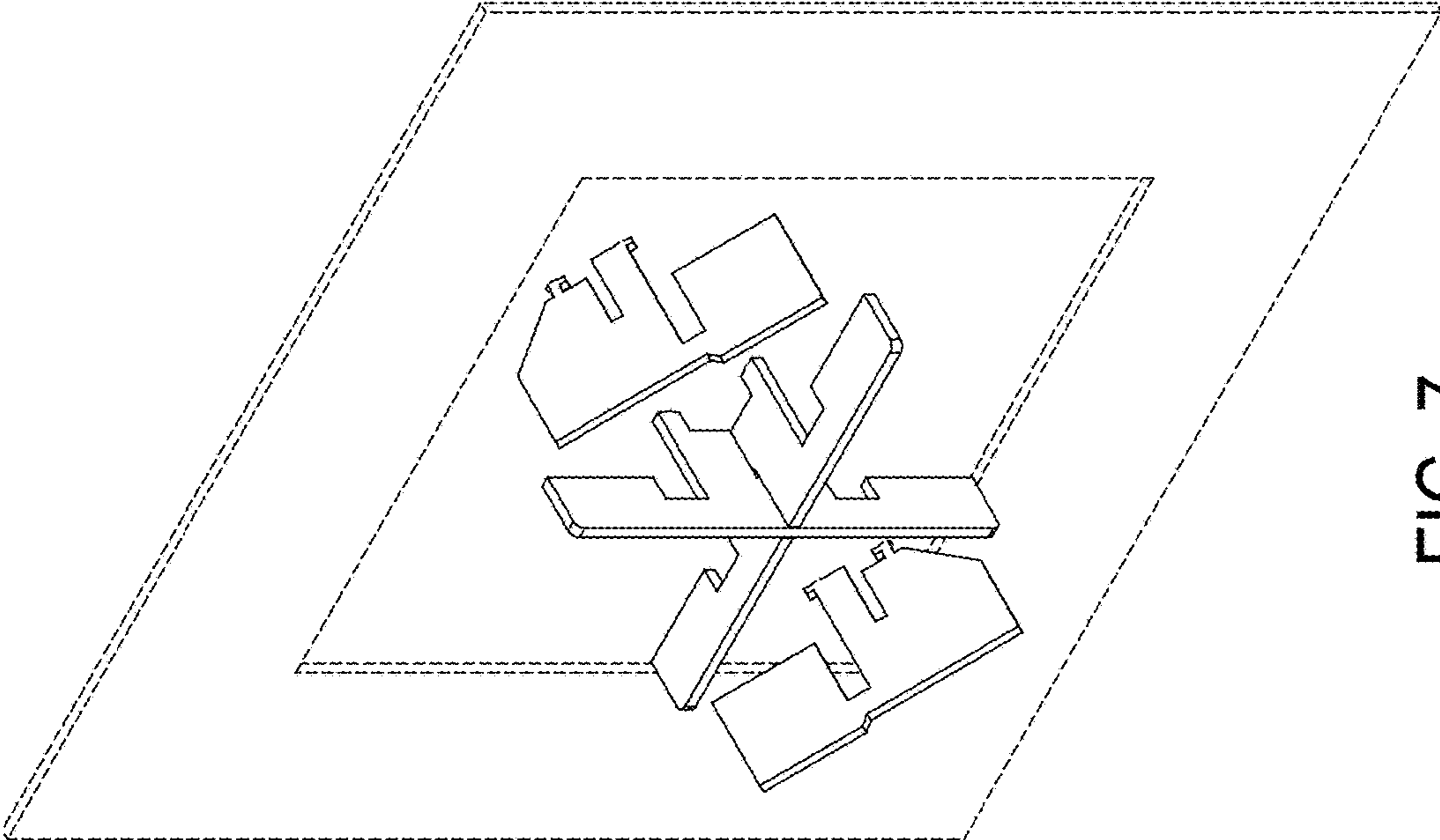


FIG. 7