

US00D868755S

(12) **United States Design Patent** (10) **Patent No.:** **US D868,755 S**
Yang (45) **Date of Patent:** **** Dec. 3, 2019**

(54) **ANTENNA**
(71) Applicant: **SHENZHEN ANTOP TECHNOLOGY LIMITED**, Bao'An District, Shenzhen (CN)
(72) Inventor: **Ruidian Yang**, Shenzhen (CN)
(73) Assignee: **SHENZHEN ANTOP TECHNOLOGY LIMITED**, Shenzhen (CN)

(**) Term: **15 Years**

(21) Appl. No.: **29/572,067**

(22) Filed: **Jul. 25, 2016**

(51) **LOC (12) Cl.** **14-03**

(52) **U.S. Cl.**
USPC **D14/230**

(58) **Field of Classification Search**
USPC D12/42, 43; D13/168; D14/124, 137, D14/138, 230-238.1, 299, 358
CPC H01L 33/48; H01L 23/02; H01Q 13/10; H05K 11/00; H04B 1/034
See application file for complete search history.

(56) **References Cited**

U.S. PATENT DOCUMENTS

D225,221 S * 11/1972 Sikorski et al. D10/109.1
D327,691 S * 7/1992 Ogawa D14/230
D402,991 S * 12/1998 Mosser D14/230
6,023,245 A * 2/2000 Gomez H01Q 9/0407
343/700 MS
6,111,549 A * 8/2000 Feller H01Q 9/28
343/700 MS
D480,712 S * 10/2003 Noro D14/230
D489,712 S * 5/2004 Nagatomi D14/230

D541,228 S * 4/2007 Thursfield D13/168
D595,670 S * 7/2009 Glassman D13/168
D619,120 S * 7/2010 Nikiforov D14/218
D623,633 S * 9/2010 Bliss D14/233
D632,281 S * 2/2011 Hoehn D14/218
D634,308 S * 3/2011 Bliss D14/233
D735,165 S * 7/2015 Wong D14/218
D775,612 S * 1/2017 Sano D14/230
D778,878 S * 2/2017 de Vaal D14/218
D787,482 S * 5/2017 Jang D14/230
D806,691 S * 1/2018 Andersson D14/240

* cited by examiner

Primary Examiner — Mark A Goodwin

Assistant Examiner — Benjamin M Weeks

(74) *Attorney, Agent, or Firm* — Muncy, Geissler, Olds & Lowe, P.C.

(57) **CLAIM**

The ornamental design for a antenna, as shown and described.

DESCRIPTION

FIG. 1 is a front elevational view of an antenna showing my new design, the rear, right, and left elevational views being identical thereto;

FIG. 2 is a top perspective view thereof;

FIG. 3 is a bottom perspective view thereof;

FIG. 4 is a top plan view thereof; and

FIG. 5 is a bottom plan view thereof;

FIG. 6 is a front elevational view of another embodiment of an antenna showing my new design, the rear, right, and left elevational views being identical thereto;

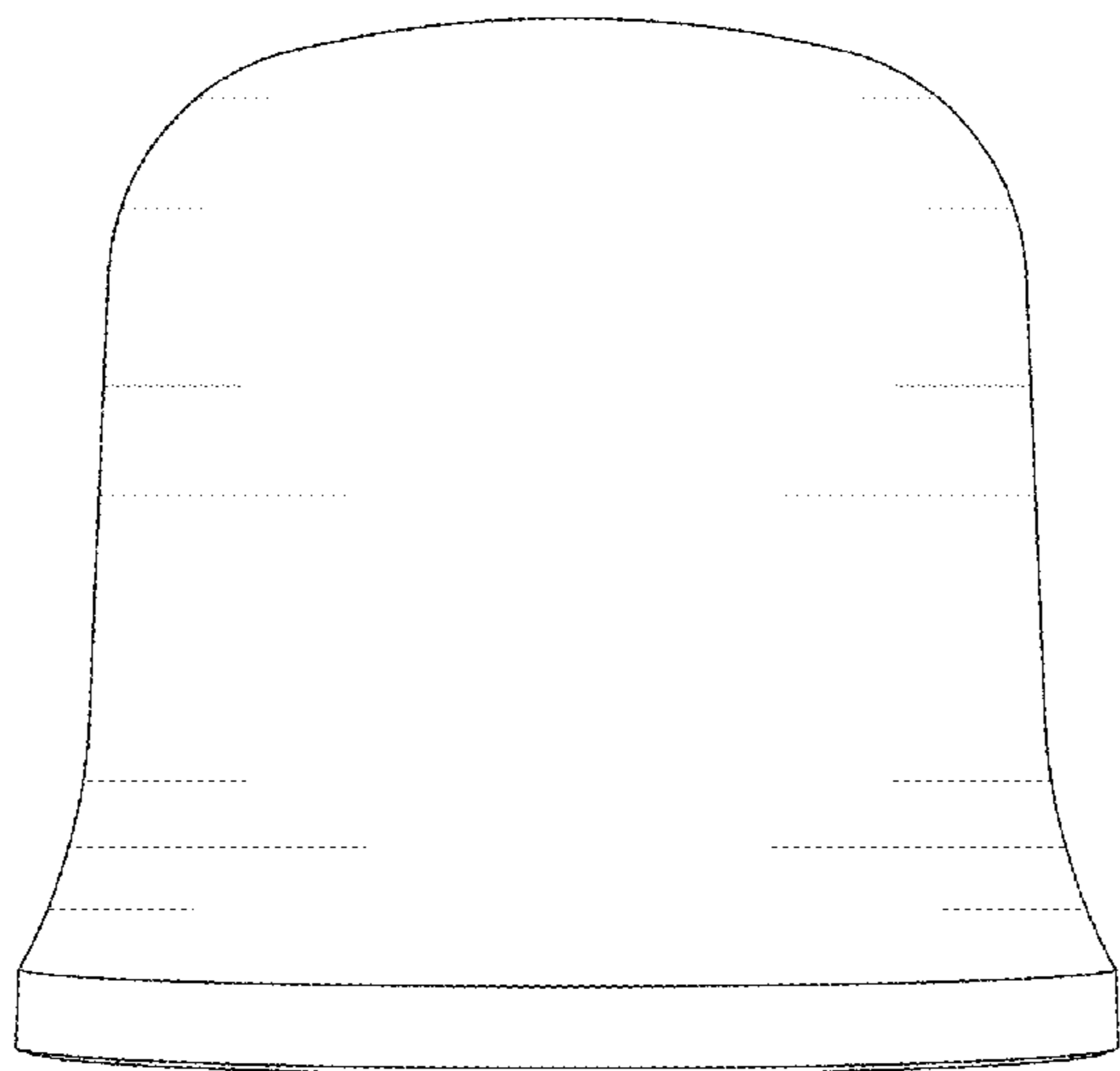
FIG. 7 is a top perspective view thereof;

FIG. 8 is a bottom perspective view thereof;

FIG. 9 is a top plan view thereof; and,

FIG. 10 is a bottom plan view thereof.

1 Claim, 10 Drawing Sheets



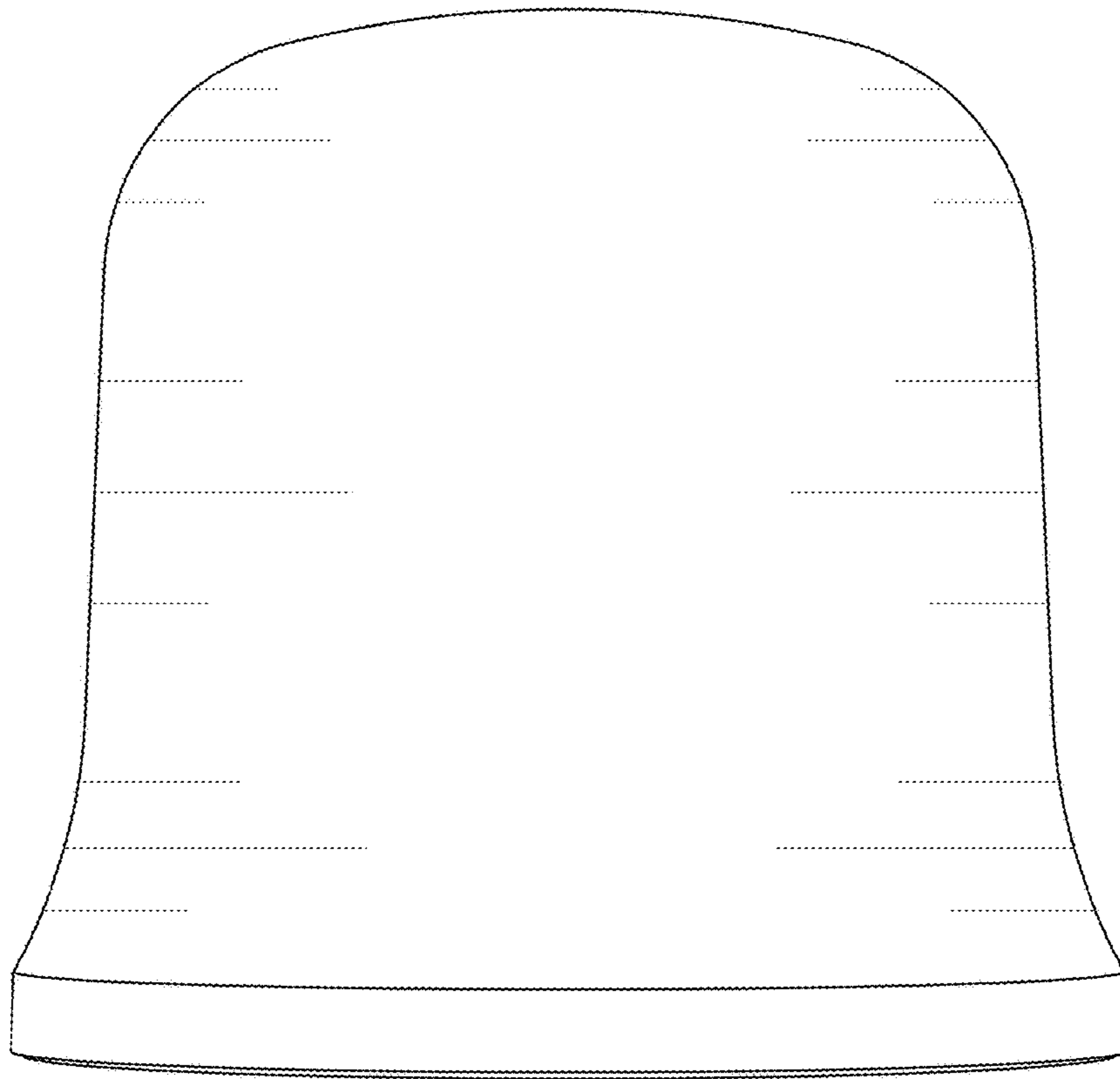


FIG. 1

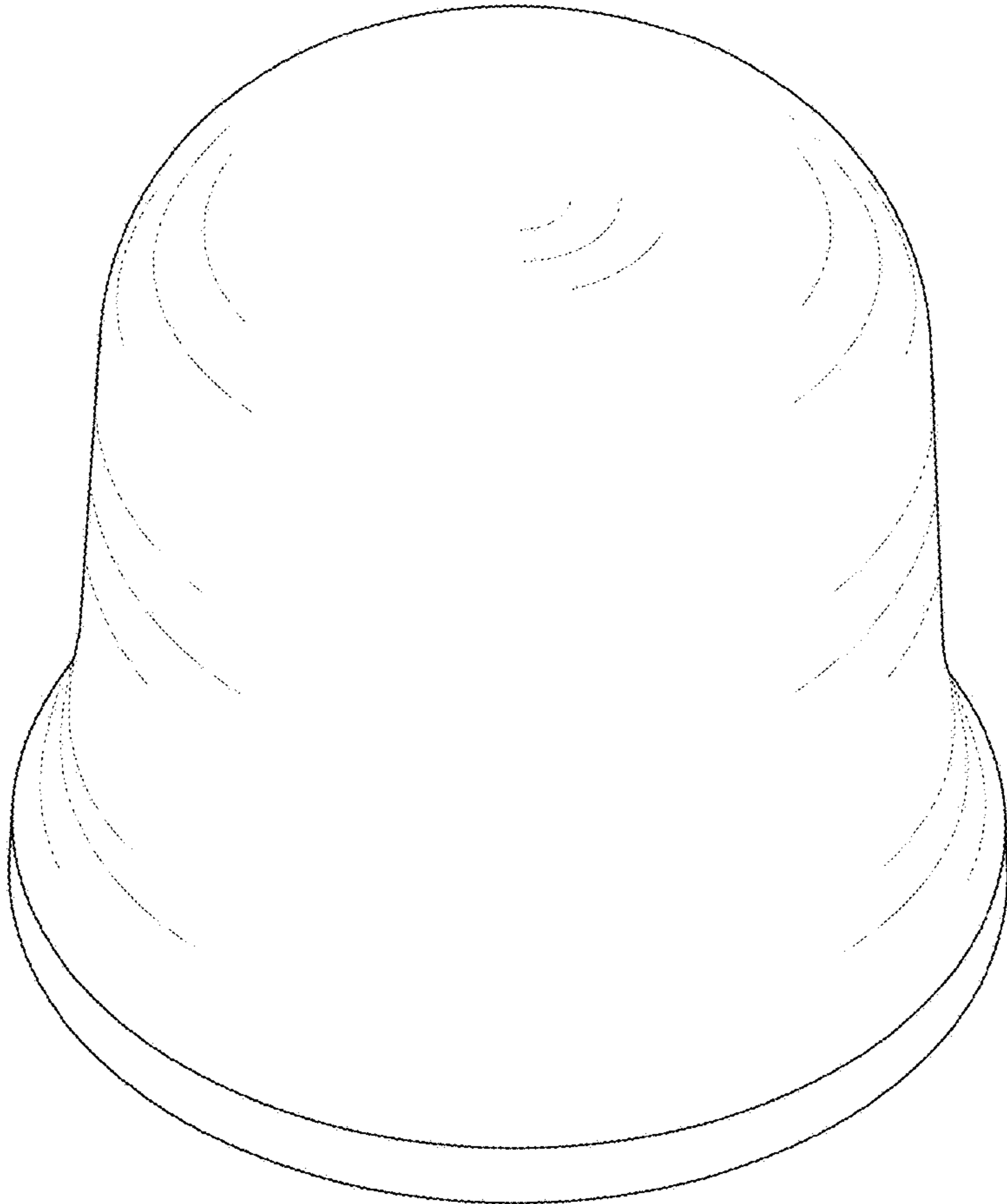


FIG. 2

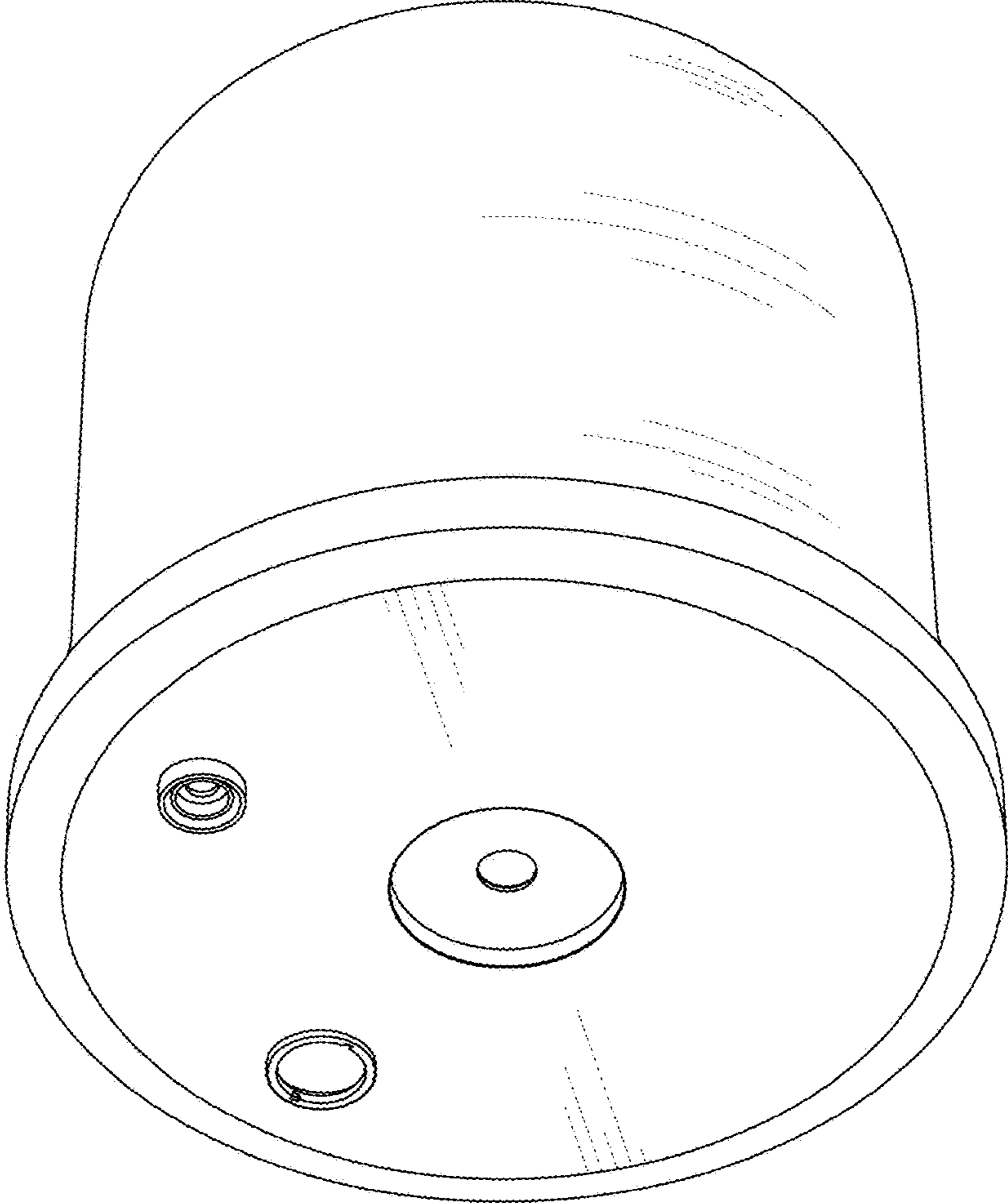


FIG. 3

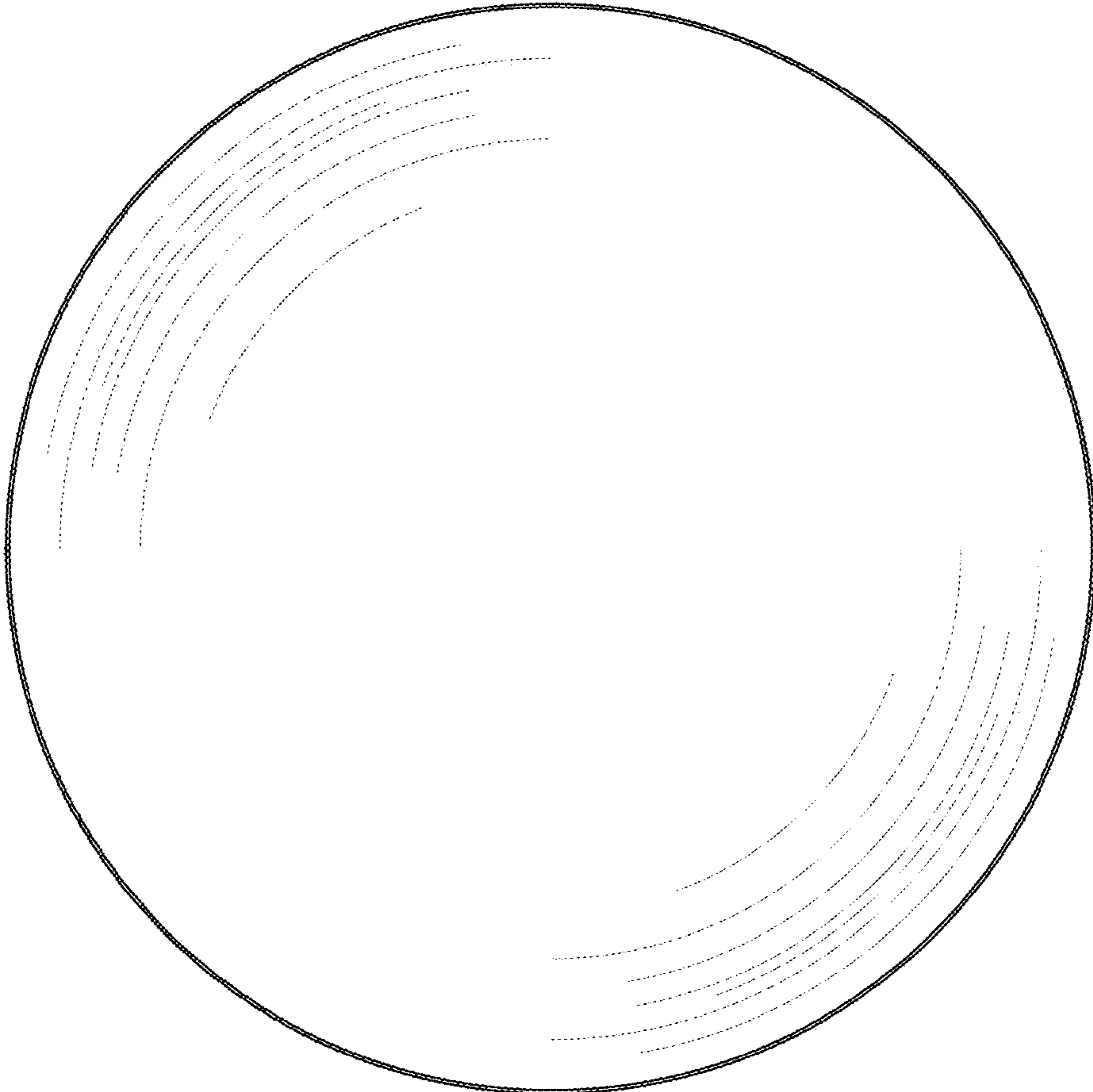


FIG. 4

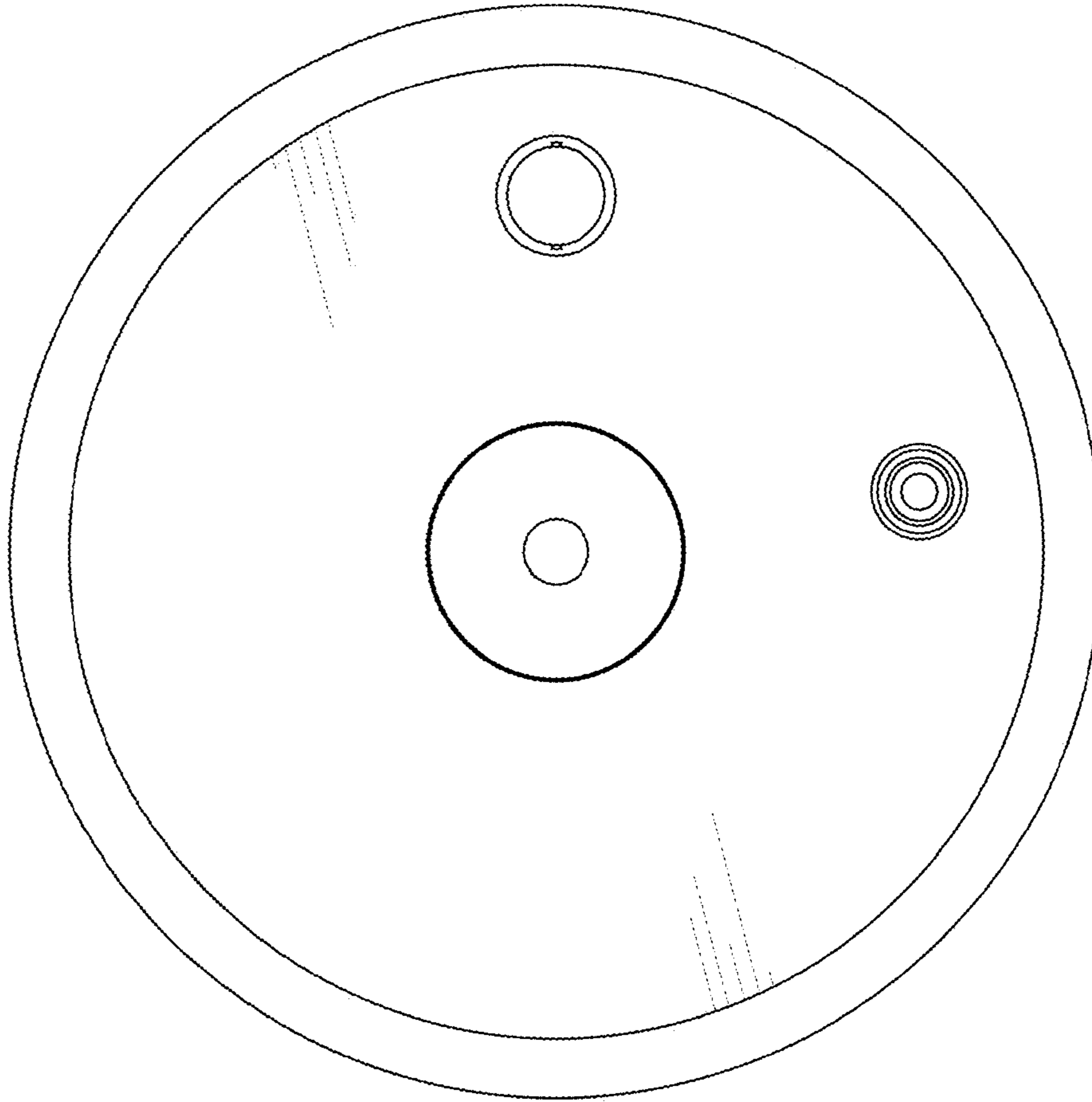


FIG. 5

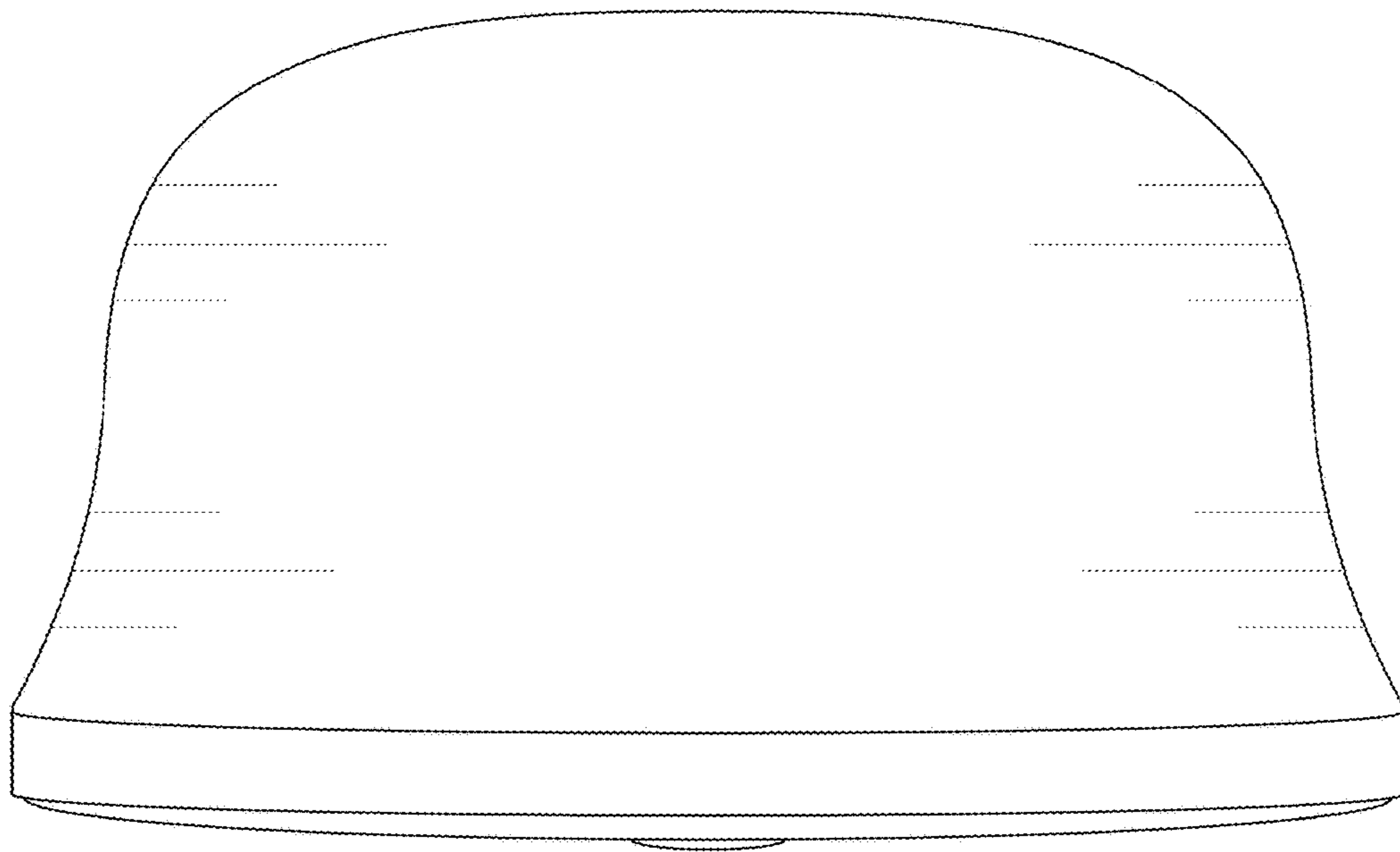


FIG. 6

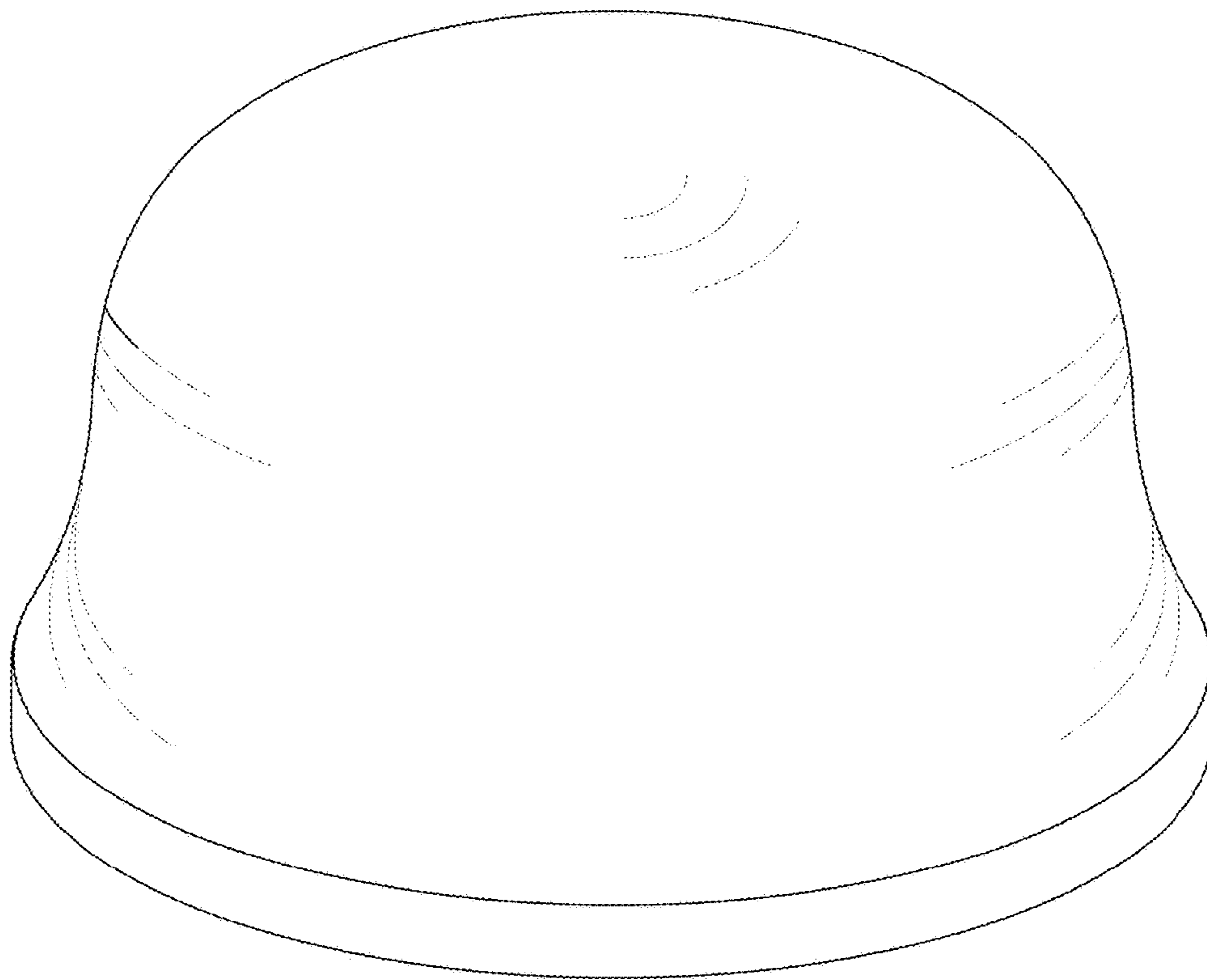


FIG. 7

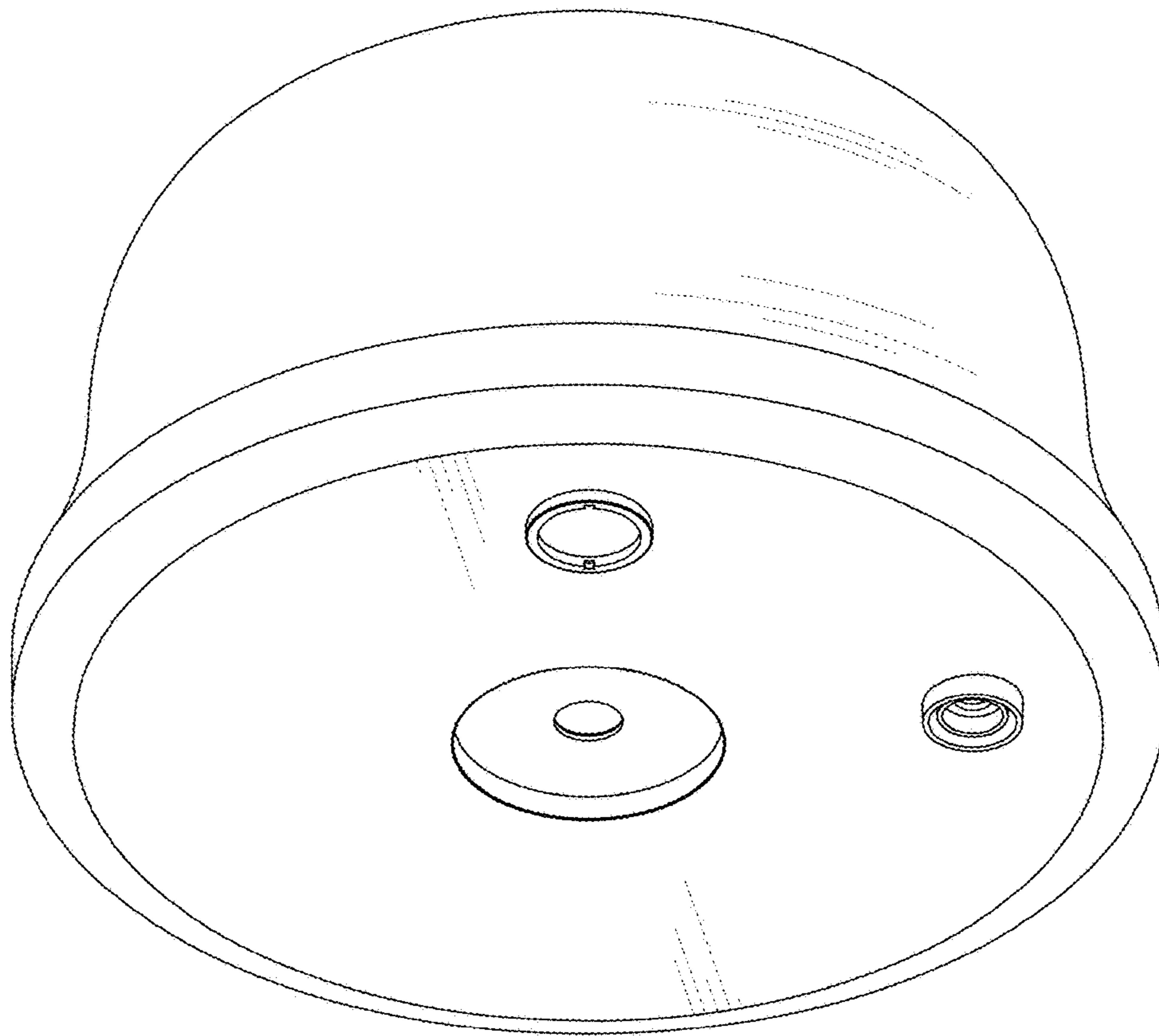


FIG. 8

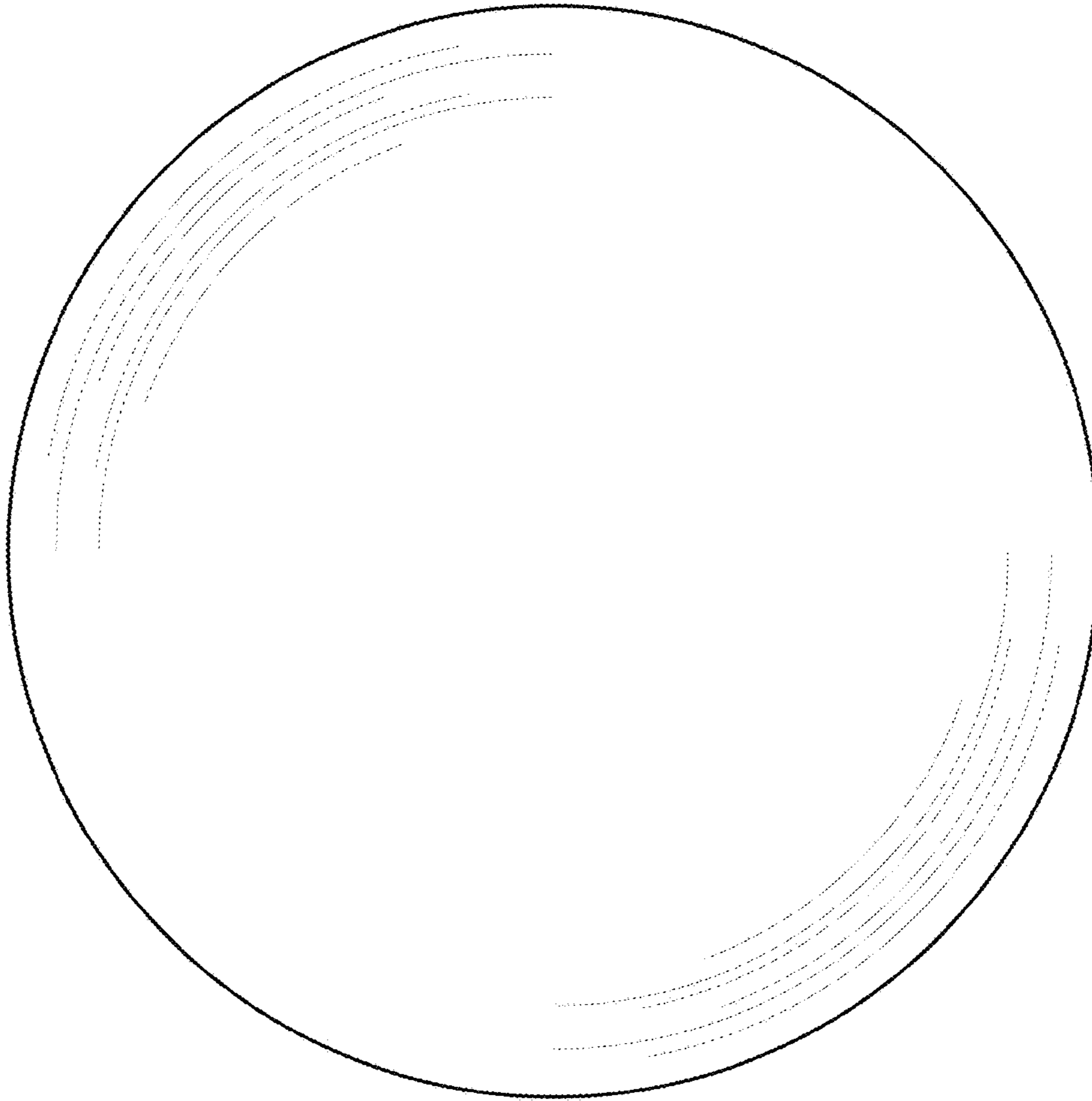


FIG. 9

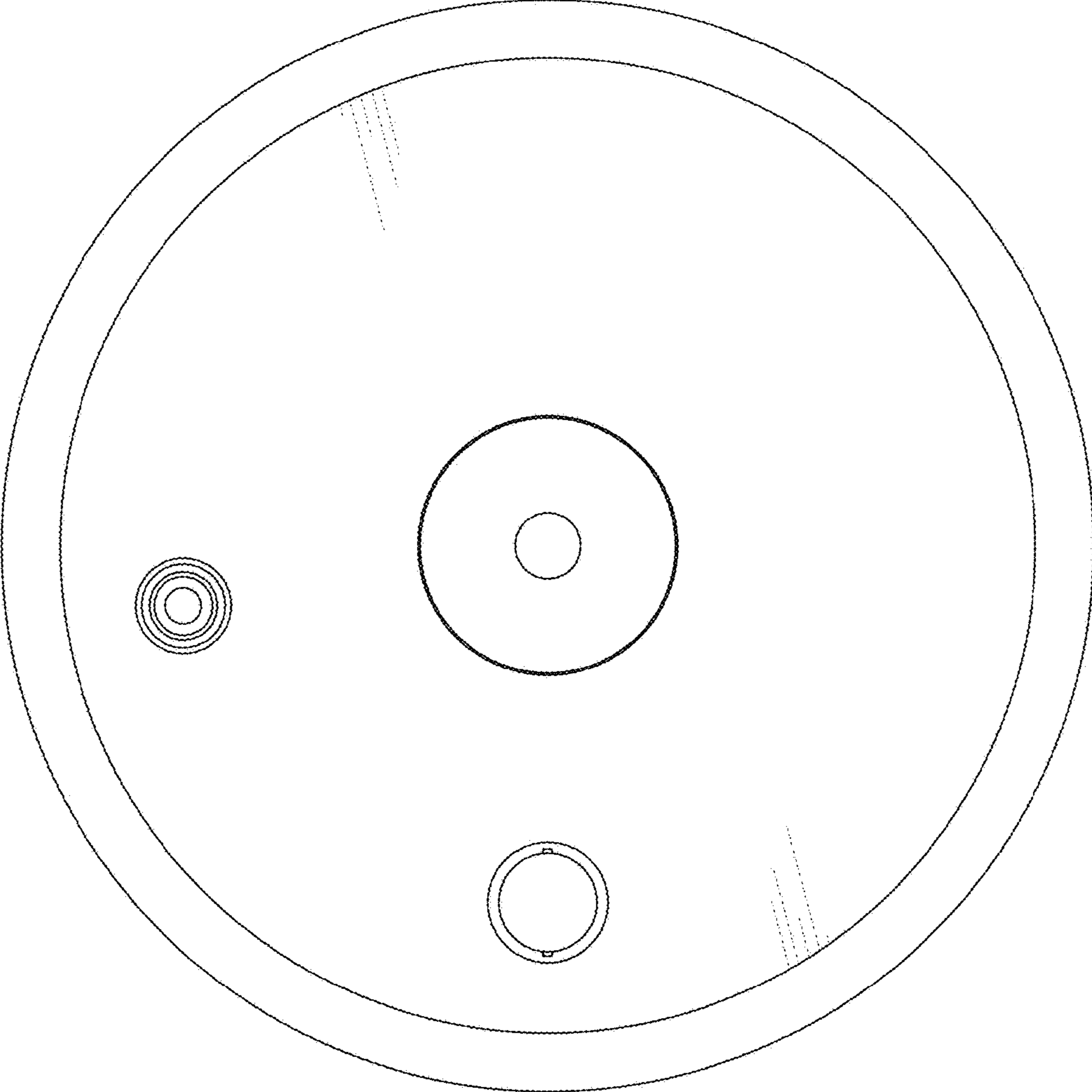


FIG. 10