



US00D868754S

(12) **United States Design Patent**
Chou et al.

(10) **Patent No.:** **US D868,754 S**
(45) **Date of Patent:** **** Dec. 3, 2019**

(54) **MICROPHONE**
(71) Applicant: **Kingston Digital, Inc.**, Fountain Valley, CA (US)
(72) Inventors: **Peter Leekuo Chou**, Fountain Valley, CA (US); **Baron King Lee**, Fountain Valley, CA (US); **Pen Hao Ma**, Hsinchu (TW)
(73) Assignee: **Kingston Digital, Inc.**, Fountain Valley, CA (US)
(**) Term: **15 Years**
(21) Appl. No.: **29/613,897**
(22) Filed: **Aug. 14, 2017**

4,546,950 A * 10/1985 Cech F16F 1/46
211/60.1
6,459,802 B1 * 10/2002 Young H04R 1/083
381/361
7,946,379 B1 * 5/2011 Frenchik H04R 1/083
181/158
8,121,333 B2 * 2/2012 Woolf H04R 1/08
381/361
8,571,250 B2 * 10/2013 Royer H04R 1/08
381/361
D706,245 S * 6/2014 McGovern, Jr. D14/229
D707,662 S * 6/2014 Okita D14/229
8,814,118 B2 * 8/2014 Okita H01F 7/0252
24/495
D760,704 S * 7/2016 Wise D14/227
10,038,950 B2 * 7/2018 Avliav G10K 11/20
2010/0239113 A1 * 9/2010 Browne H04R 1/08
381/361

(Continued)

(30) **Foreign Application Priority Data**

Mar. 27, 2017 (TW) 106301582

(51) **LOC (12) Cl.** **14-01**

(52) **U.S. Cl.**
USPC **D14/225**

(58) **Field of Classification Search**
USPC D14/224-229; D16/244; D17/99;
D6/681; 248/125.1, 166, 185.1;
381/355, 359, 361-363, 365, 366, 369,
381/375; 379/428.01, 428.04, 431,
379/433.03
CPC . H04R 25/00; H04R 1/02; H04R 5/02; H04R
9/08; F16M 11/38; F16M 13/00; F16M
11/00

See application file for complete search history.

(56) **References Cited**

U.S. PATENT DOCUMENTS

2,081,622 A * 5/1937 Foster H04R 1/08
381/361
4,194,096 A * 3/1980 Ramsey H04R 1/08
381/363

Primary Examiner — Katie Jane Stofko

(74) *Attorney, Agent, or Firm* — Skaar Ulbrich Macari, P.A.

(57) **CLAIM**

We claim an ornamental design for a microphone, as shown and described.

DESCRIPTION

FIG. 1 is a perspective view of a microphone showing the claimed design;

FIG. 2 is another perspective view of FIG. 1;

FIG. 3 is a front elevational view of FIG. 1;

FIG. 4 is a rear elevational view of FIG. 1;

FIG. 5 is a left side elevational view of FIG. 1;

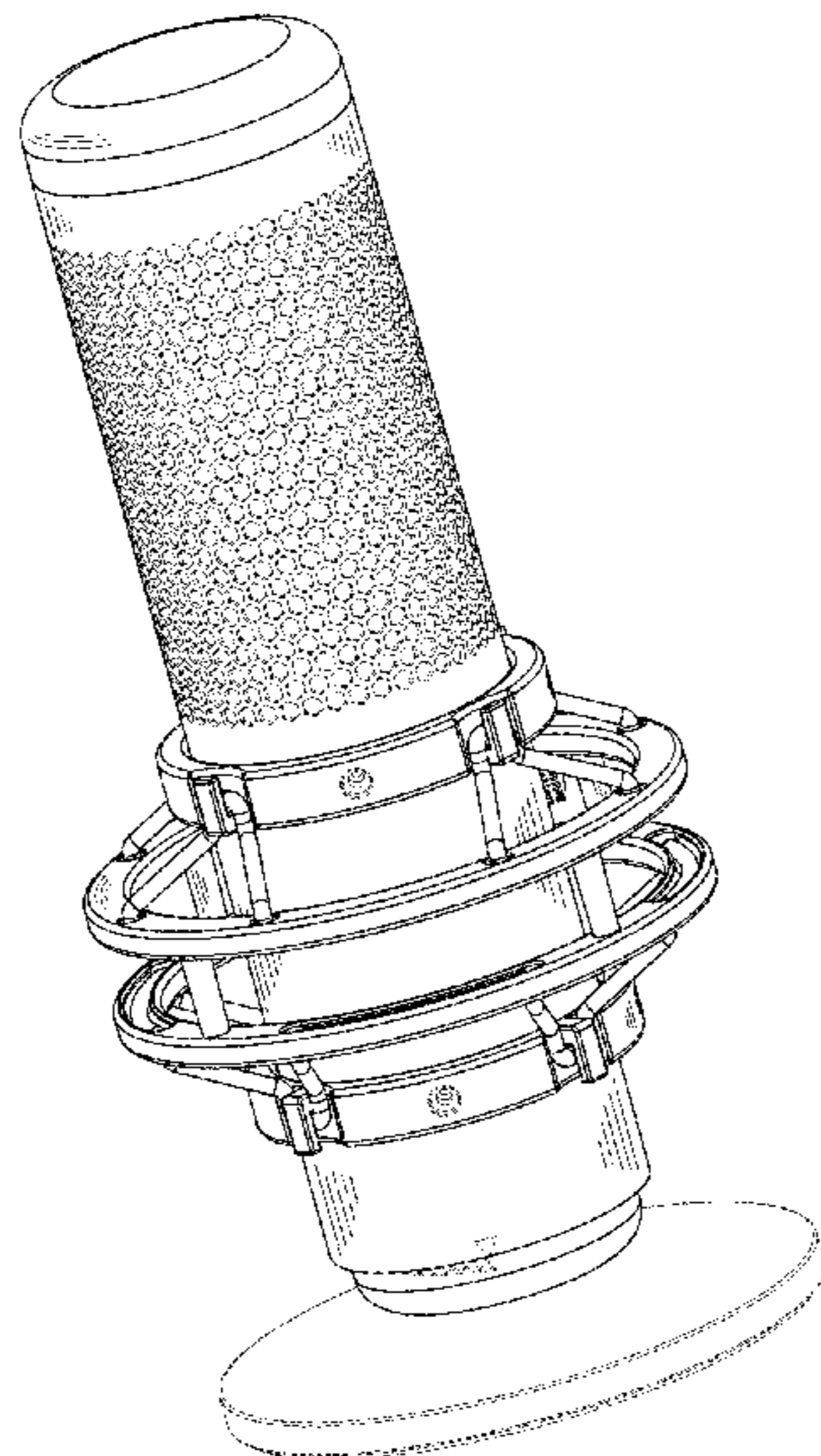
FIG. 6 is a right side elevational view of FIG. 1;

FIG. 7 is a top plan view of FIG. 1; and,

FIG. 8 is a bottom plan view of FIG. 1.

The broken lines in FIGS. 1-8 illustrate portions of the microphone that form no part of the claimed design.

1 Claim, 8 Drawing Sheets



(56)

References Cited

U.S. PATENT DOCUMENTS

2018/0027316 A1* 1/2018 Avliav G10K 11/20
181/242

* cited by examiner

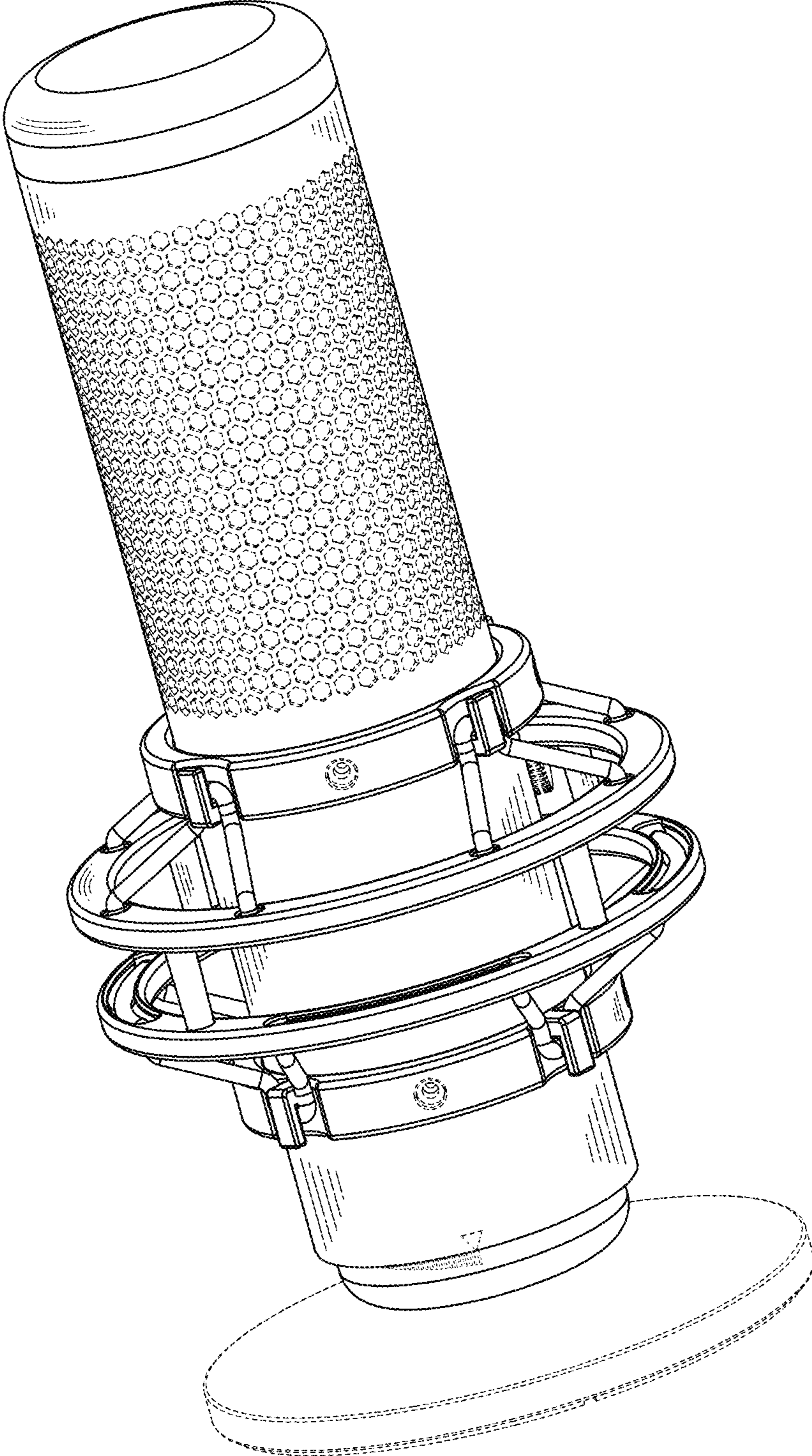


FIG.1

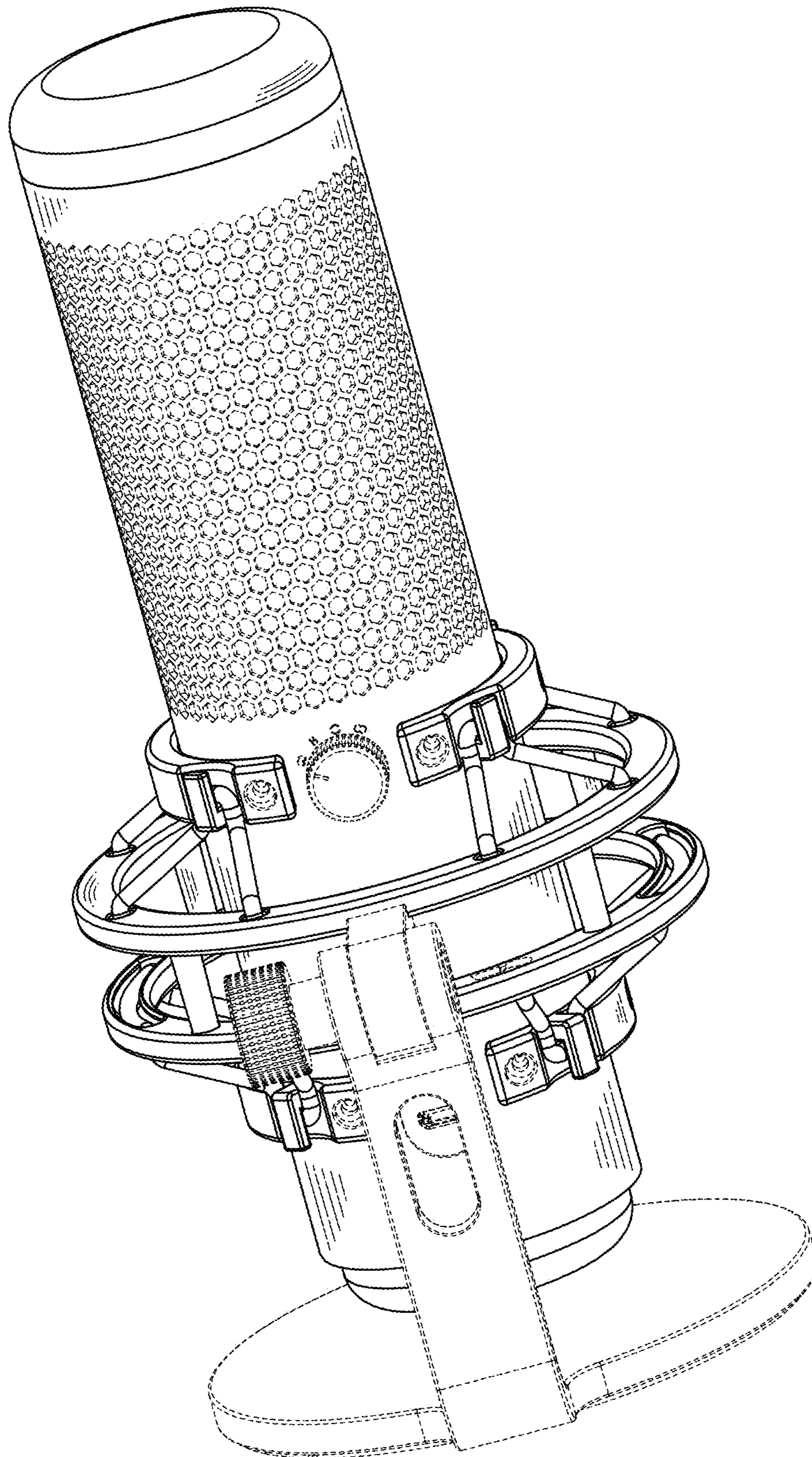


FIG.2

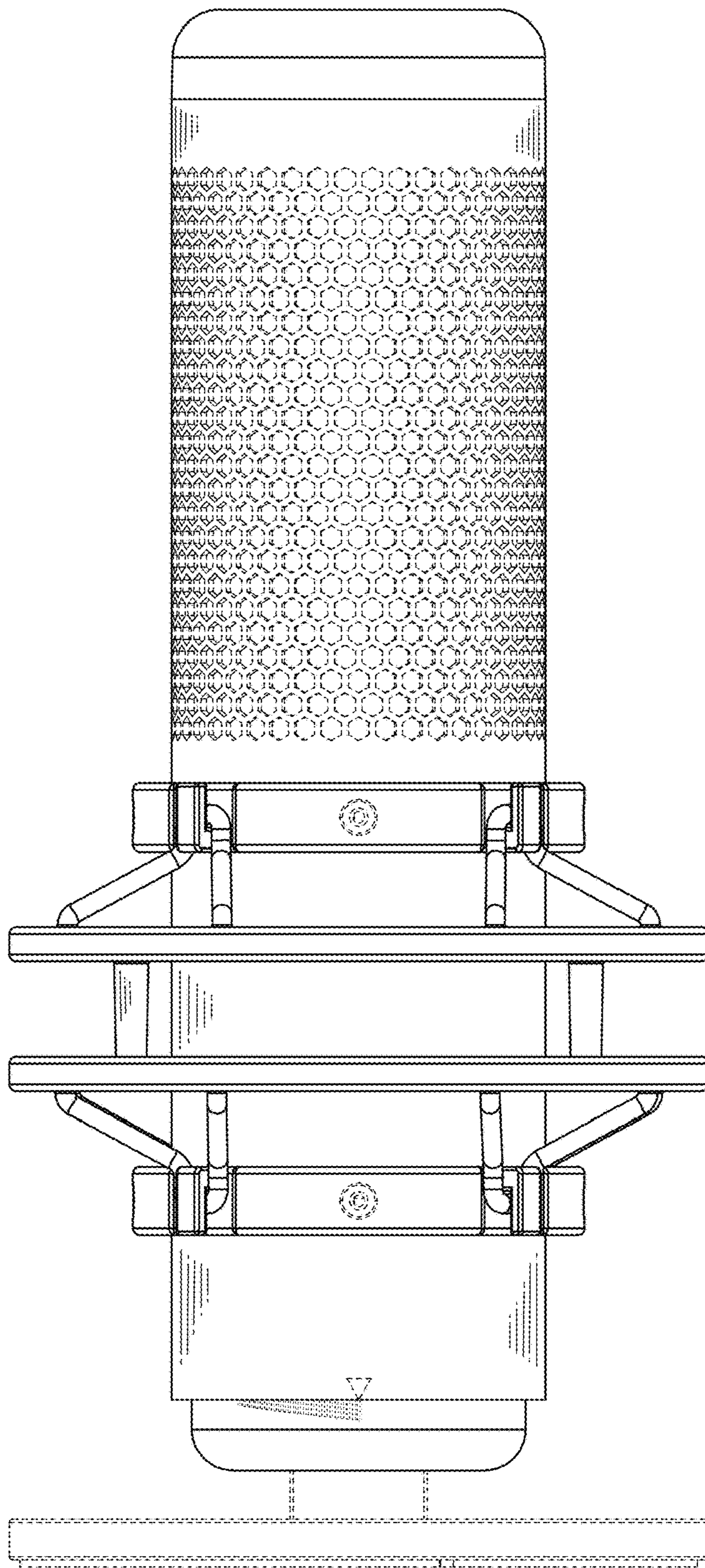


FIG.3

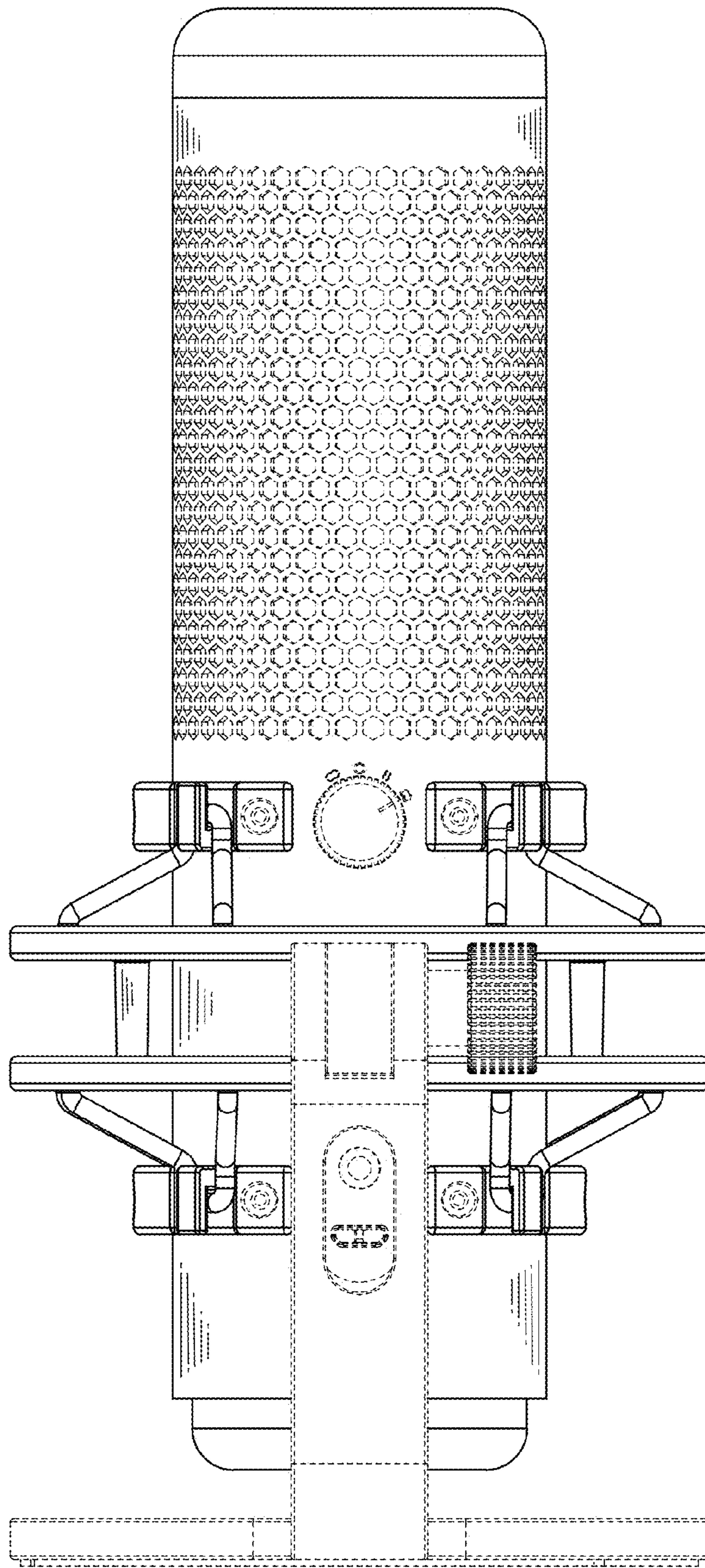


FIG.4

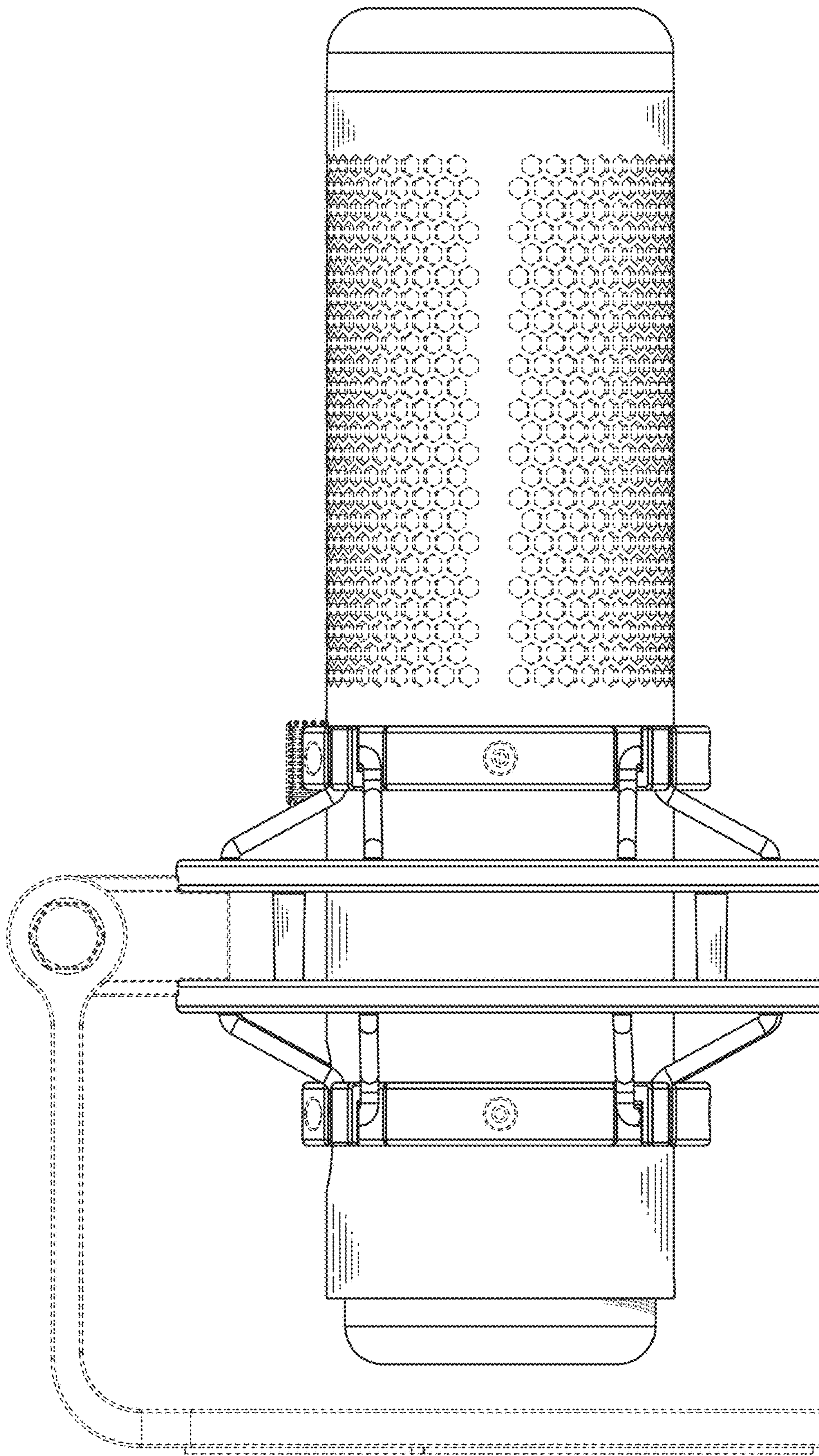


FIG.5

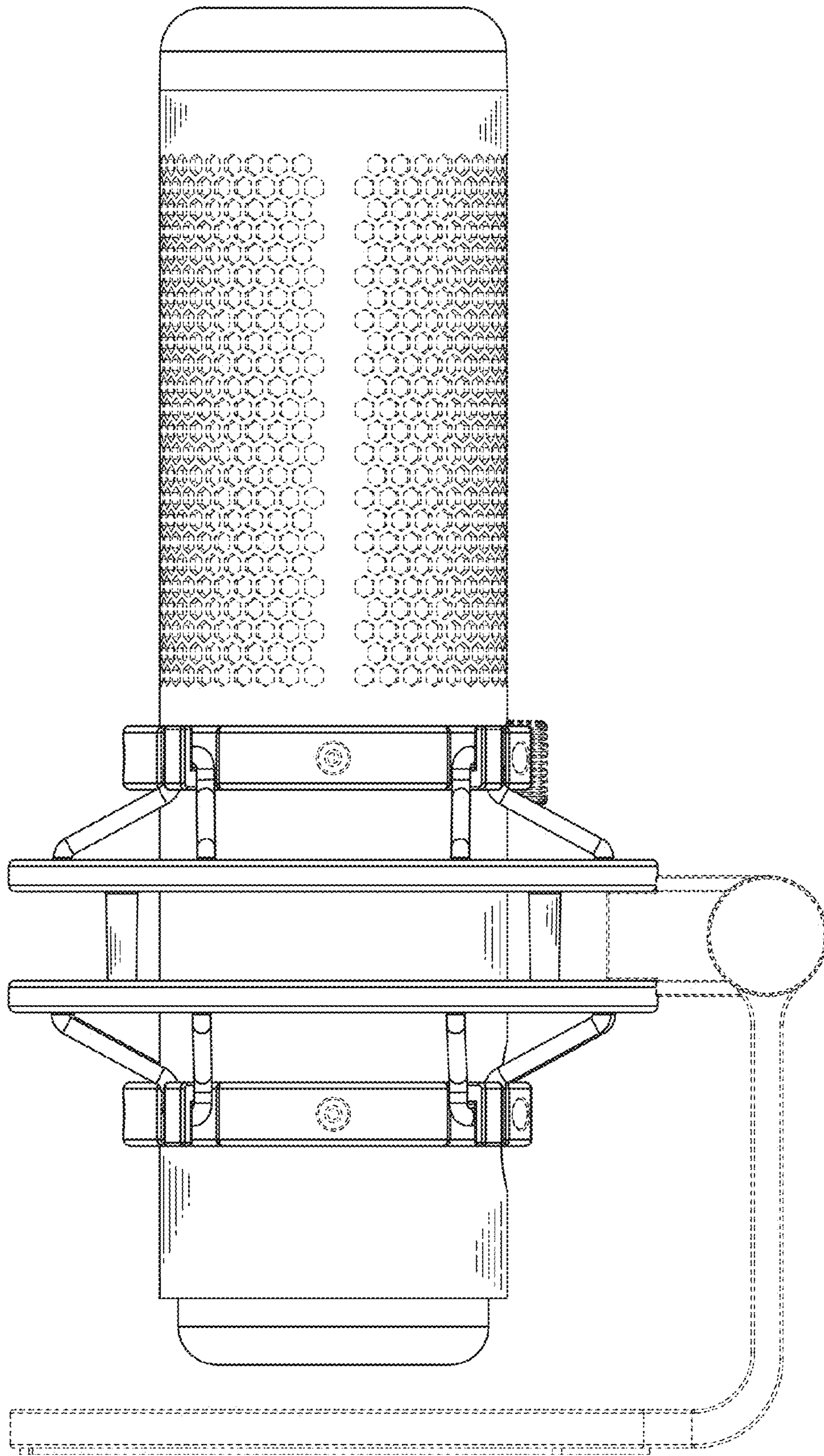


FIG.6

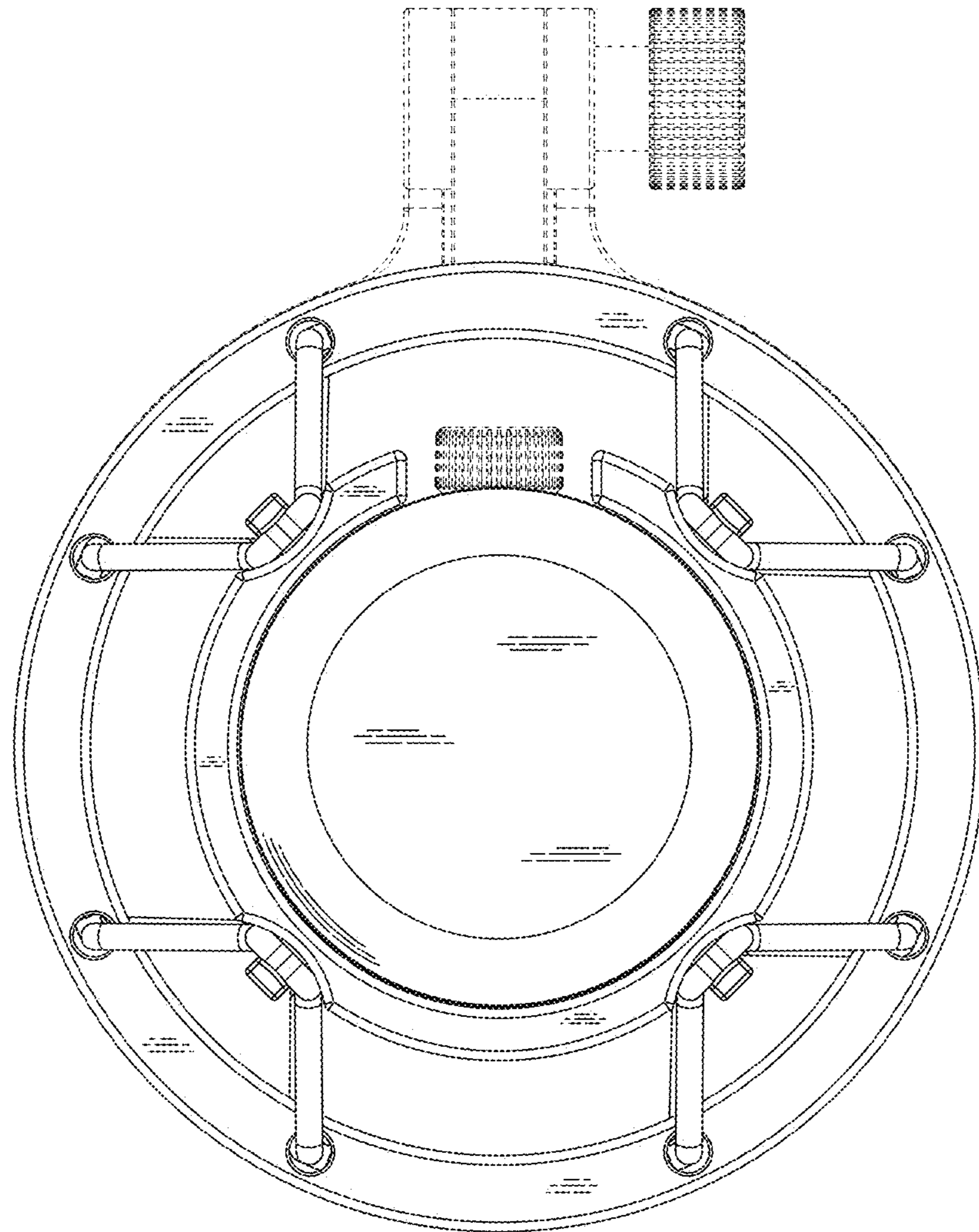


FIG. 7

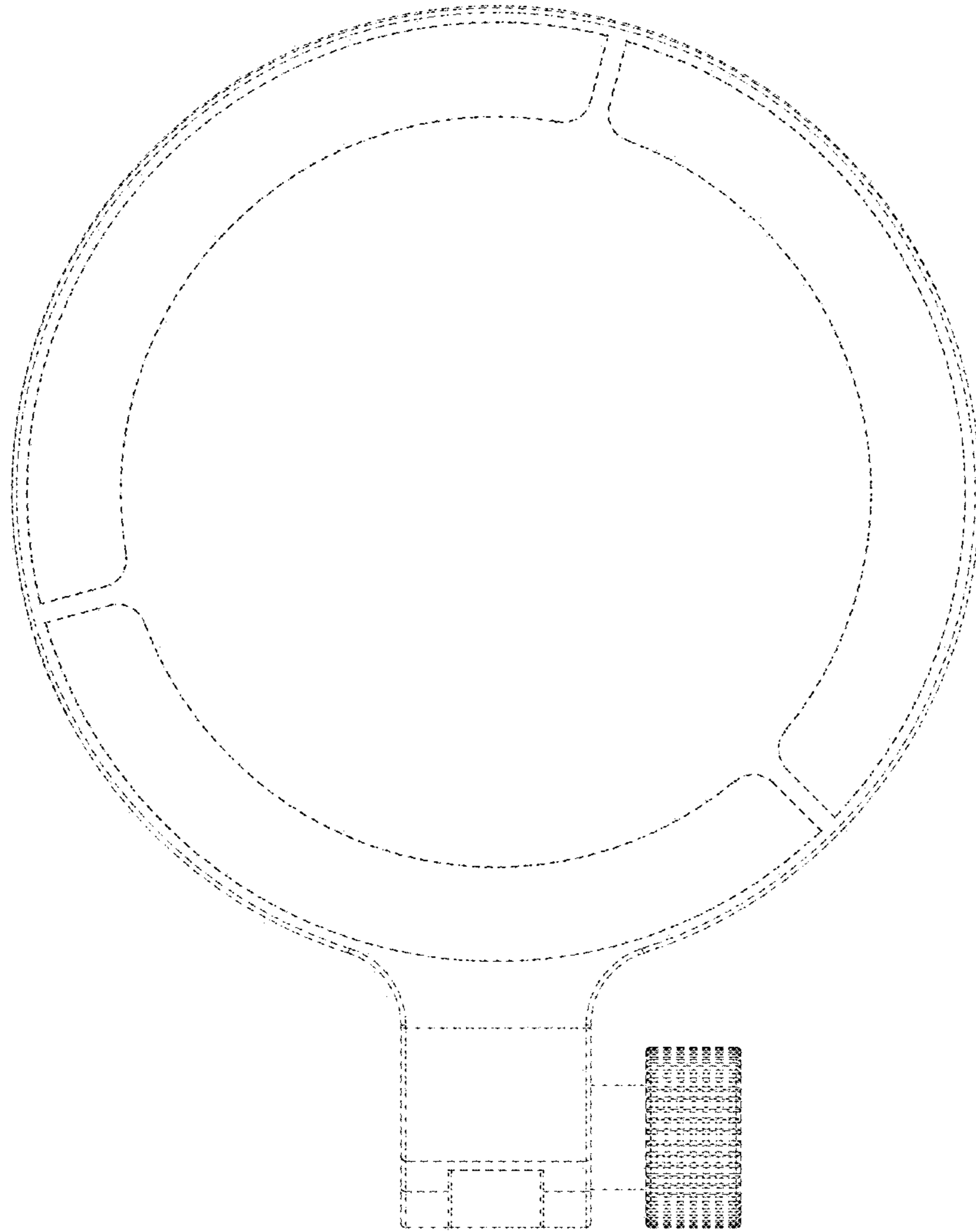


FIG. 8