



US00D868752S

(12) **United States Design Patent**  
**Zhu**

(10) **Patent No.:** **US D868,752 S**

(45) **Date of Patent:** **\*\* Dec. 3, 2019**

(54) **EARPHONE**

(71) Applicant: **Zhaowei Zhu**, Xianyou (CN)

(72) Inventor: **Zhaowei Zhu**, Xianyou (CN)

(\*\*) Term: **15 Years**

(21) Appl. No.: **29/704,126**

(22) Filed: **Sep. 2, 2019**

(51) **LOC (12) Cl.** ..... **14-01**

(52) **U.S. Cl.**  
USPC ..... **D14/223**

(58) **Field of Classification Search**

USPC ..... D14/223, 205; D24/174; 128/864, 865,  
128/866; 181/129, 130, 135; 379/430,  
379/431; 380/380, 381; 455/90.3, 575.1,  
455/569.1; D13/107  
CPC ..... H04R 1/10; H04R 25/00; H04R 25/02;  
H04R 1/1066; H04R 1/1016; H04R  
5/033; H04R 5/0335; H04R 1/1091;  
H04R 1/1083

See application file for complete search history.

(56) **References Cited**

**U.S. PATENT DOCUMENTS**

4,133,984 A \* 1/1979 Akiyama ..... H04R 25/456  
181/135  
D417,465 S \* 12/1999 Kreitz ..... D14/192  
D477,593 S \* 7/2003 Komiyama ..... D14/223  
D477,822 S \* 7/2003 Komiyama ..... D14/223  
D481,709 S \* 11/2003 Solderits ..... D14/223  
D505,411 S \* 5/2005 Sakai ..... D14/192  
D519,108 S \* 4/2006 Yang ..... D14/223  
D562,808 S 2/2008 Gwee  
D584,284 S 1/2009 Carr et al.  
D588,111 S \* 3/2009 Komiyama ..... D14/223  
D603,380 S \* 11/2009 Hutchieson ..... D14/223  
D632,677 S \* 2/2011 Brown ..... D14/223  
D637,997 S \* 5/2011 Peller ..... D14/205

D637,999 S \* 5/2011 Brunner ..... D14/205  
D641,010 S \* 7/2011 Kwon ..... D14/223  
D652,817 S \* 1/2012 Lee ..... D14/205  
D652,822 S \* 1/2012 Lee ..... D14/223  
D654,056 S \* 2/2012 Hoggarth ..... D14/205  
D666,581 S \* 9/2012 Perez ..... D14/223  
D685,764 S \* 7/2013 Coulter ..... D14/205  
D699,226 S \* 2/2014 Yoon ..... D14/206  
D711,356 S \* 8/2014 Yang ..... D14/223

(Continued)

**FOREIGN PATENT DOCUMENTS**

EM 004556629-0001 \* 12/2017  
EM 006148557-0001 \* 2/2019

(Continued)

*Primary Examiner* — Paula Allen Greene

(74) *Attorney, Agent, or Firm* — Wayne V. Harper

(57) **CLAIM**

I claim the ornamental design for an earphone, as shown and described.

**DESCRIPTION**

FIG. 1 is a Perspective view of an earphone showing my new design;

FIG. 2 is other perspective view of the earphone as shown in FIG. 1;

FIG. 3 is a Right-side side view of the earphone as shown in FIG. 1;

FIG. 4 is a Left-side view of the earphone as shown in FIG. 1;

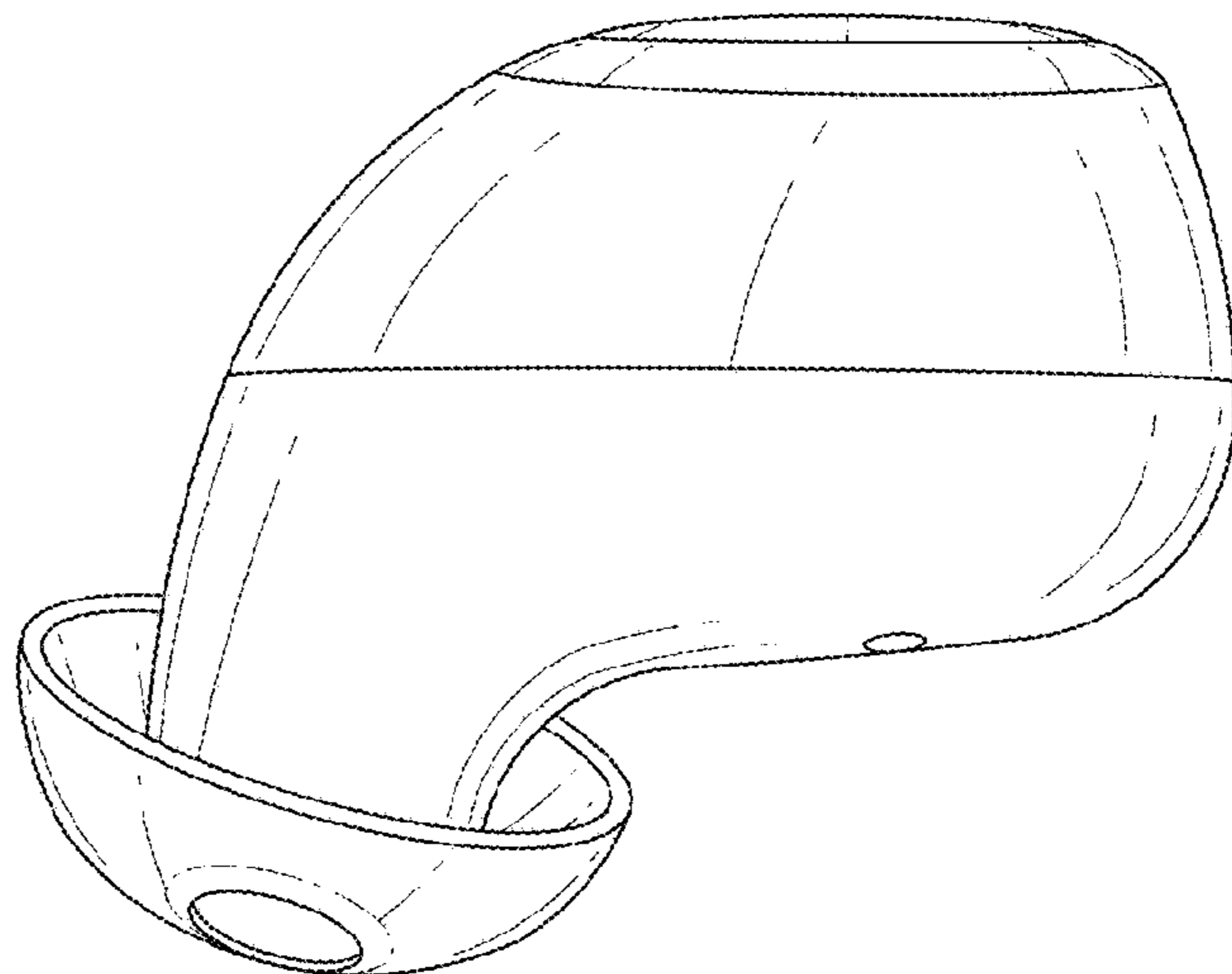
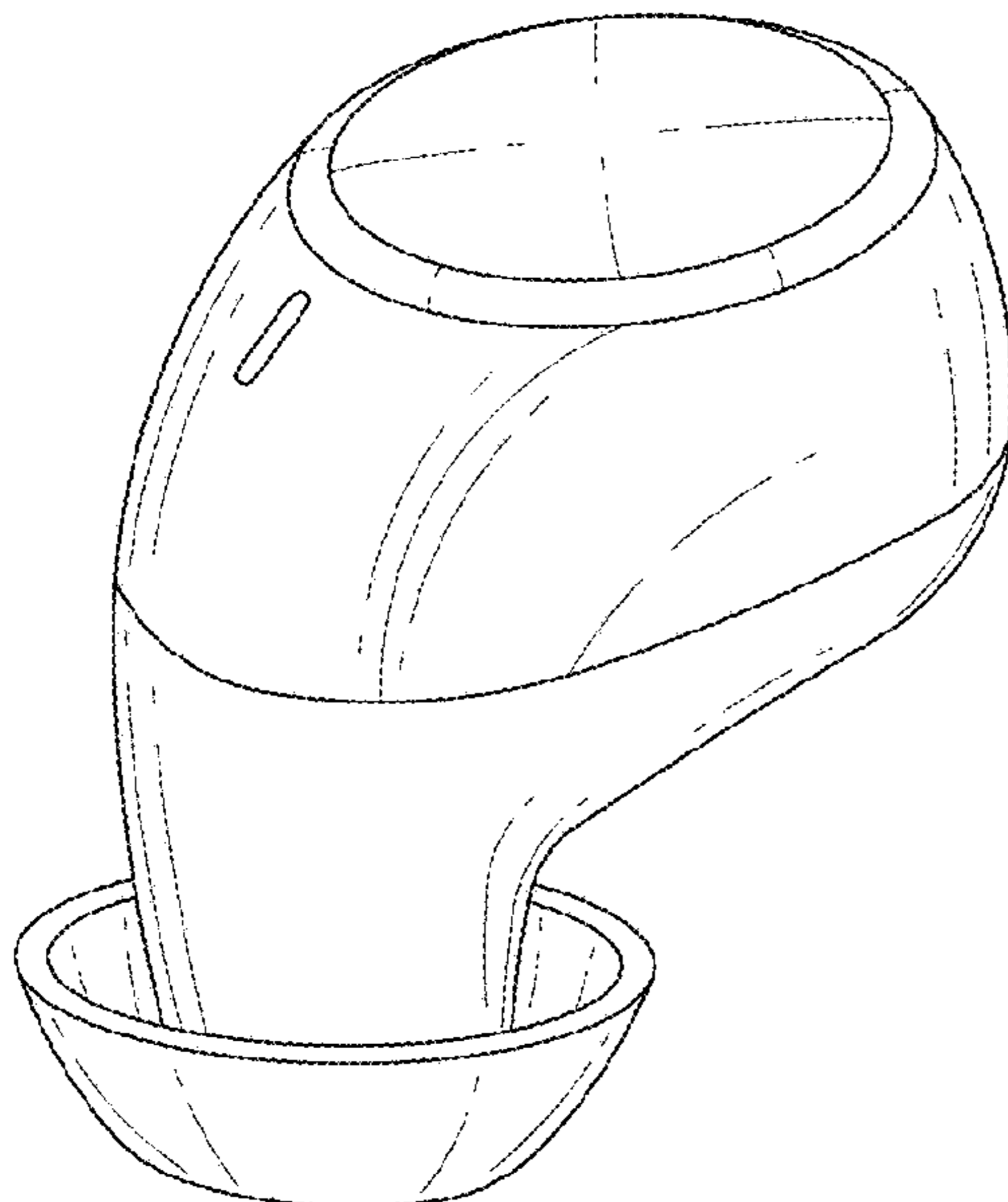
FIG. 5 is a Front view of the earphone as shown in FIG. 1;

FIG. 6 is a Back view of the earphone as shown in FIG. 1;

FIG. 7 is a Top view of the earphone as shown in FIG. 1; and,

FIG. 8 is a Bottom view of the earphone as shown in FIG. 1.

**1 Claim, 5 Drawing Sheets**



(56)

References Cited

U.S. PATENT DOCUMENTS

D719,139 S \* 12/2014 Henry ..... D14/223  
 D719,550 S \* 12/2014 Yang ..... D14/223  
 D725,082 S \* 3/2015 Palmborg ..... D14/223  
 8,983,103 B2 \* 3/2015 Vlach ..... H04R 25/554  
 381/328  
 D726,145 S \* 4/2015 Hsieh ..... D14/205  
 D727,871 S \* 4/2015 Orbach ..... D14/205  
 D733,101 S 6/2015 Pi et al.  
 D733,102 S \* 6/2015 Palmborg ..... D14/223  
 D733,103 S \* 6/2015 Jeong ..... D14/224  
 D735,169 S \* 7/2015 Shieh ..... D14/223  
 D742,861 S \* 11/2015 Miyake ..... D14/223  
 D764,445 S \* 8/2016 Czaniecki ..... D14/223  
 D773,032 S \* 11/2016 Palmborg ..... D24/106  
 D773,439 S \* 12/2016 Walker ..... D14/205  
 D777,710 S \* 1/2017 Palmborg ..... D14/223  
 D778,267 S \* 2/2017 Hsieh ..... D14/223  
 D781,269 S \* 3/2017 Choe ..... D14/223  
 D782,997 S \* 4/2017 Shin ..... D14/205  
 D782,998 S \* 4/2017 Shin ..... D14/205  
 D788,079 S \* 5/2017 Son ..... D14/223  
 D795,225 S \* 8/2017 Sumii ..... D14/223  
 D798,843 S \* 10/2017 Valenzuela ..... D14/223

D800,097 S \* 10/2017 Chen ..... D14/223  
 D806,879 S \* 1/2018 Horbinski ..... D24/174  
 D810,054 S 2/2018 Yuan  
 D813,206 S \* 3/2018 Tang ..... D14/223  
 D817,309 S \* 5/2018 Czaniecki ..... D14/223  
 D818,990 S \* 5/2018 Tzeng ..... D14/205  
 D845,932 S \* 4/2019 Lu ..... D14/223  
 D846,532 S \* 4/2019 Xiao ..... D14/223  
 D847,126 S \* 4/2019 Loermann ..... D14/223  
 D848,981 S 5/2019 Kim et al.  
 D862,422 S \* 10/2019 Lindenberger ..... D14/223  
 D862,424 S \* 10/2019 You ..... D14/223  
 D863,263 S \* 10/2019 Yu ..... D14/223  
 D863,268 S \* 10/2019 Archer ..... D14/230  
 2011/0155147 A1 \* 6/2011 McIntosh ..... A61F 11/08  
 128/864  
 2012/0114160 A1 \* 5/2012 Lin ..... H04R 1/1091  
 381/380  
 2017/0366233 A1 \* 12/2017 Hviid ..... H04B 5/02  
 2018/0035193 A1 \* 2/2018 Tsubone ..... H04R 1/1016

FOREIGN PATENT DOCUMENTS

EM 006643672-0001 \* 7/2019  
 EM 006885901-0001 \* 9/2019

\* cited by examiner

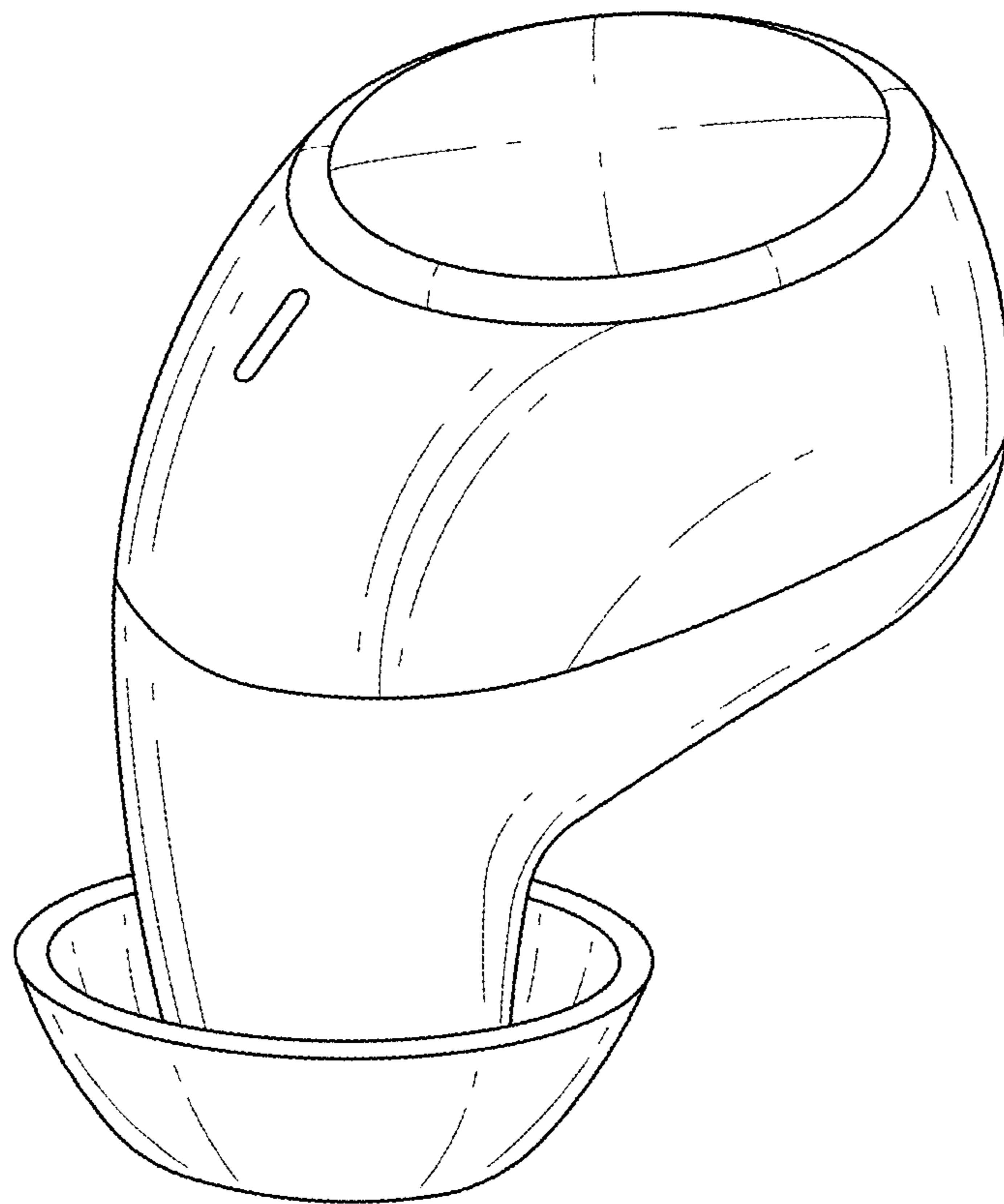


FIG. 1

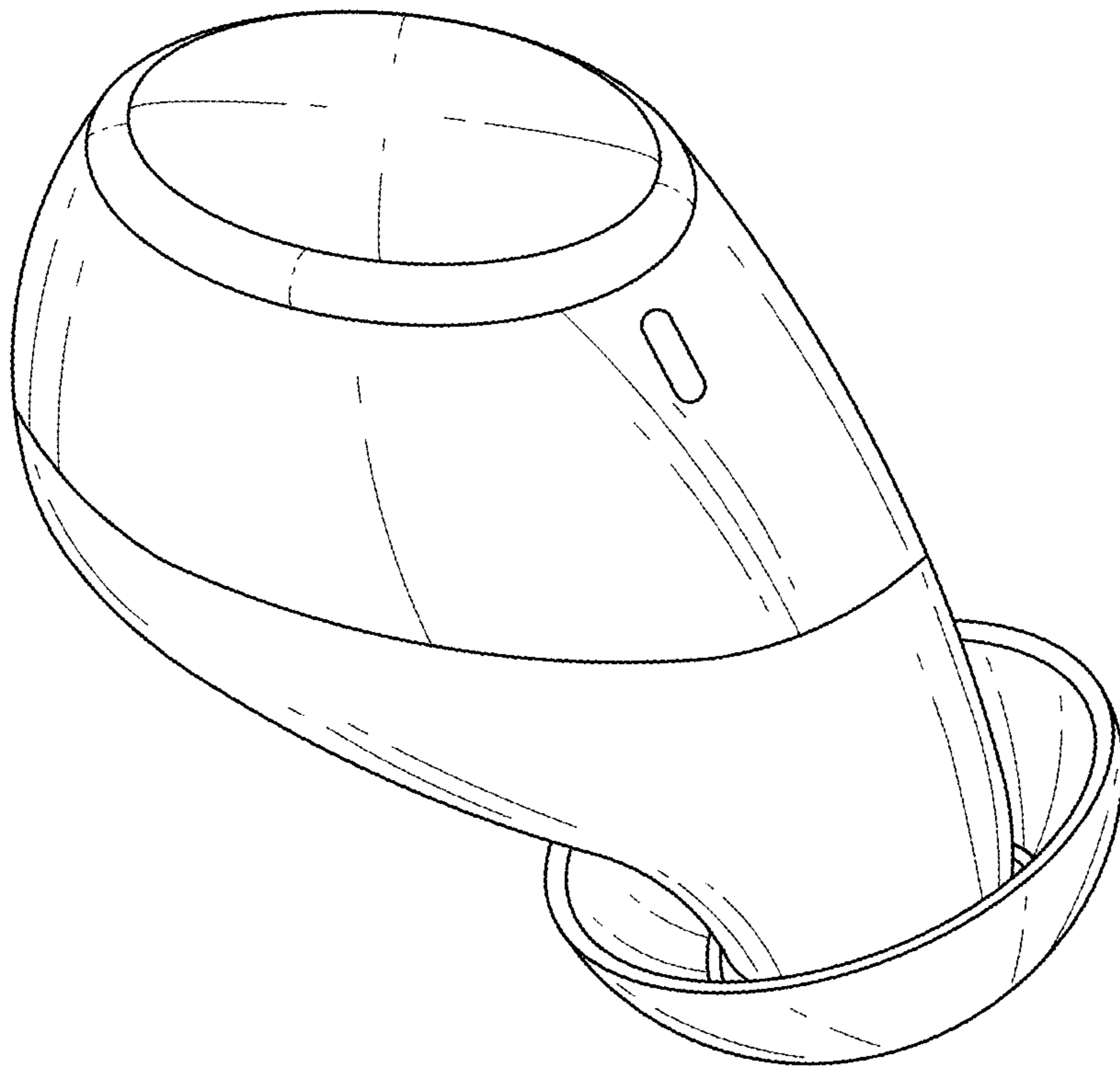


FIG. 2

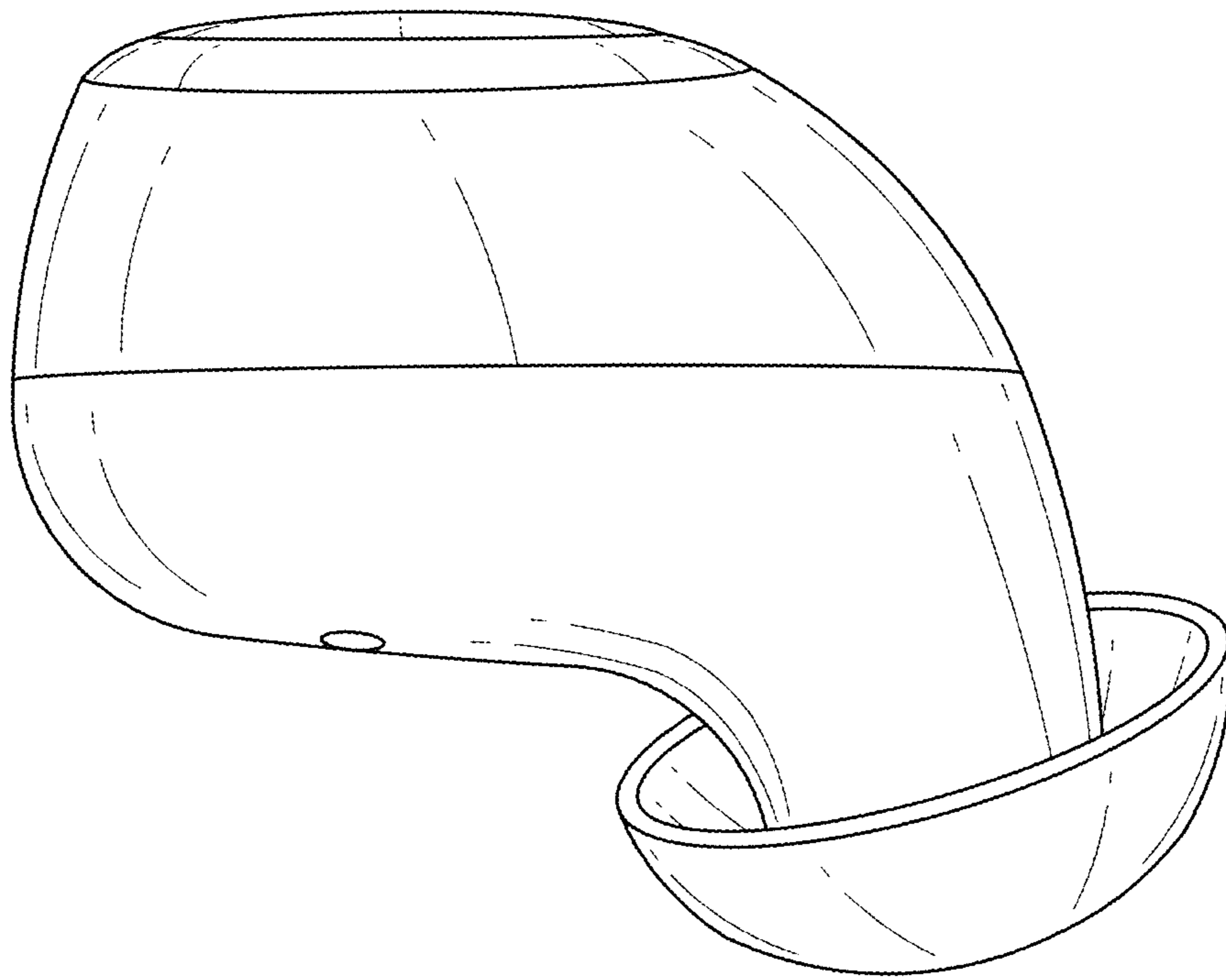


FIG. 3

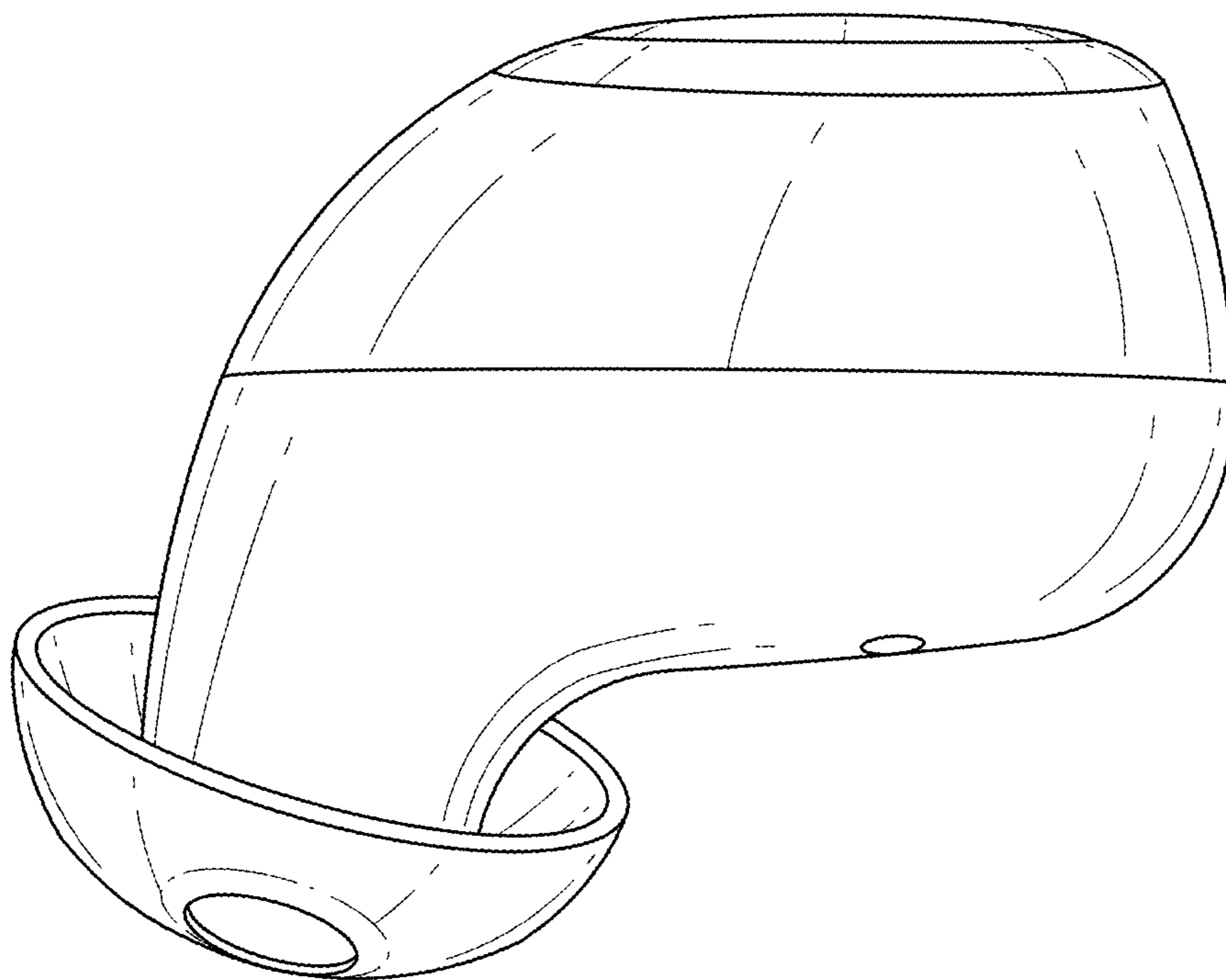


FIG. 4

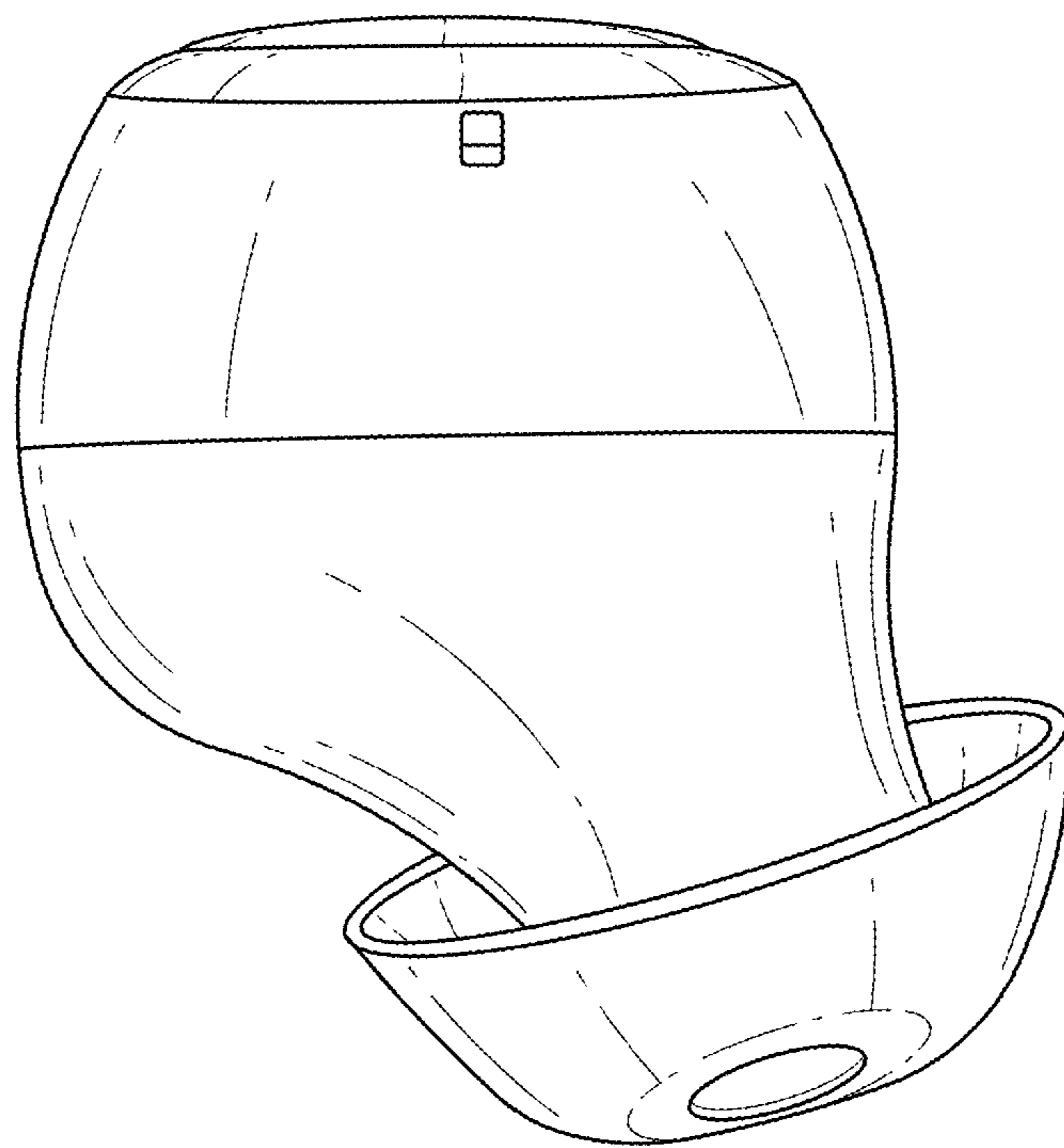


FIG. 5

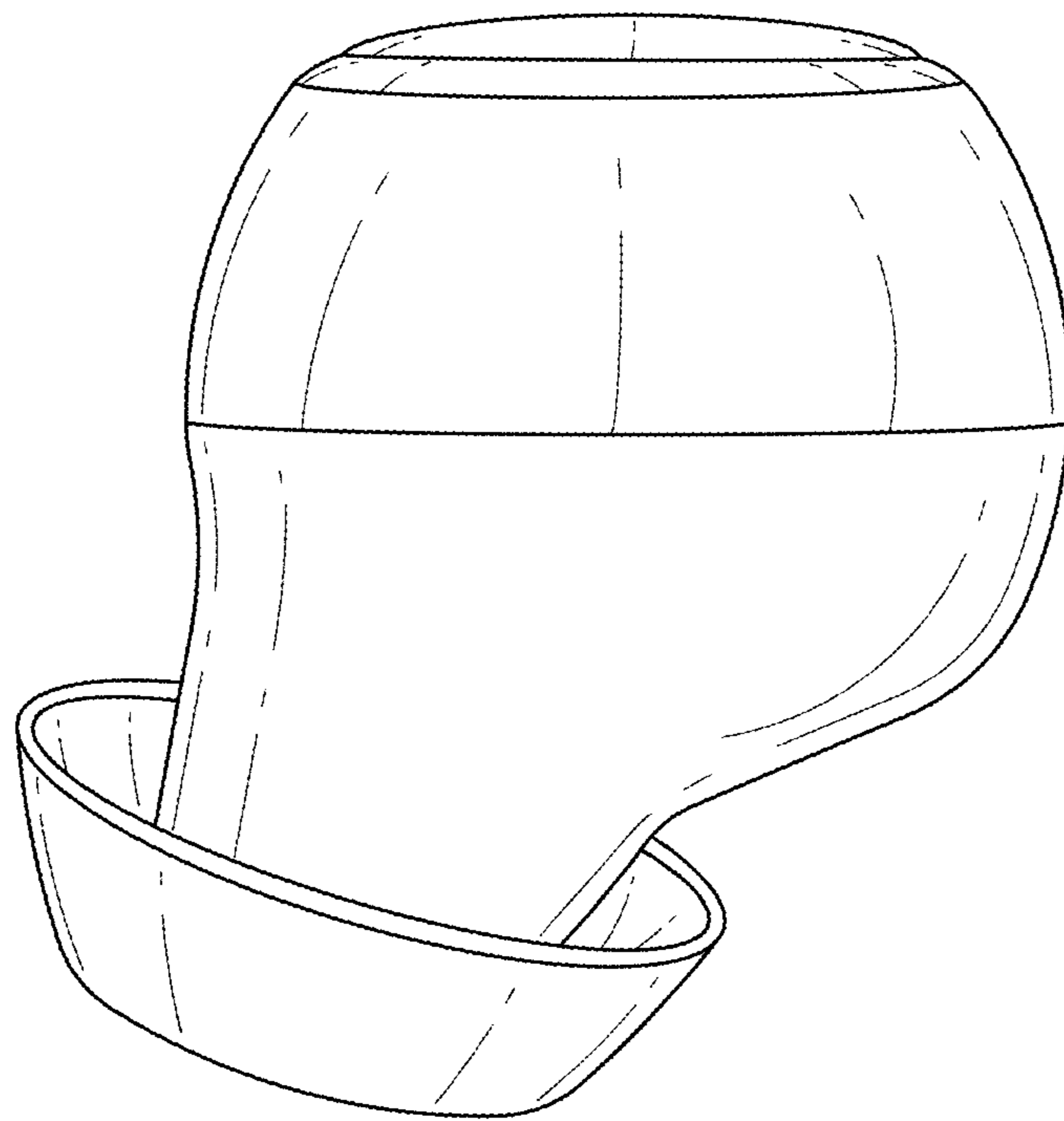


FIG. 6

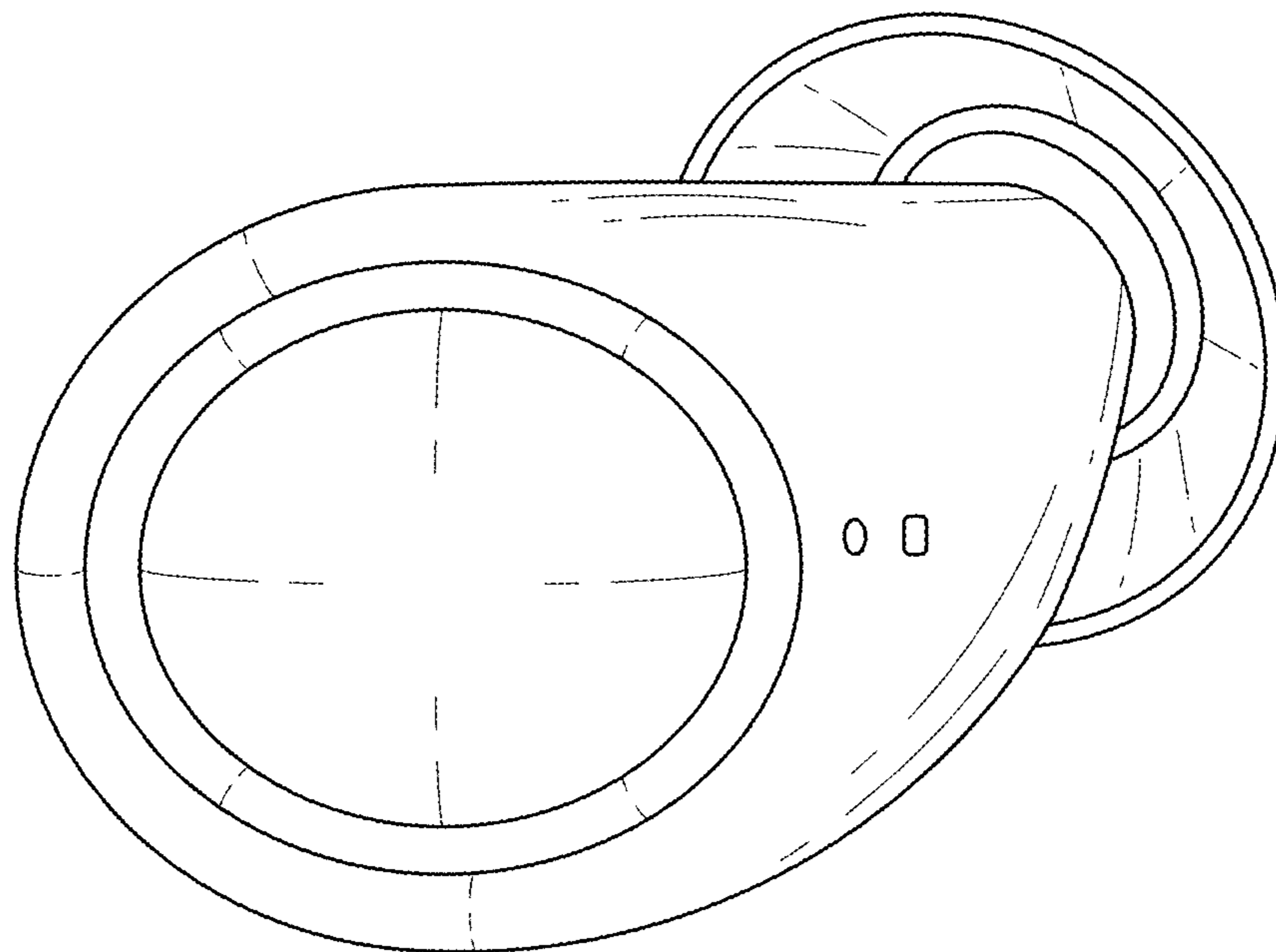


FIG. 7

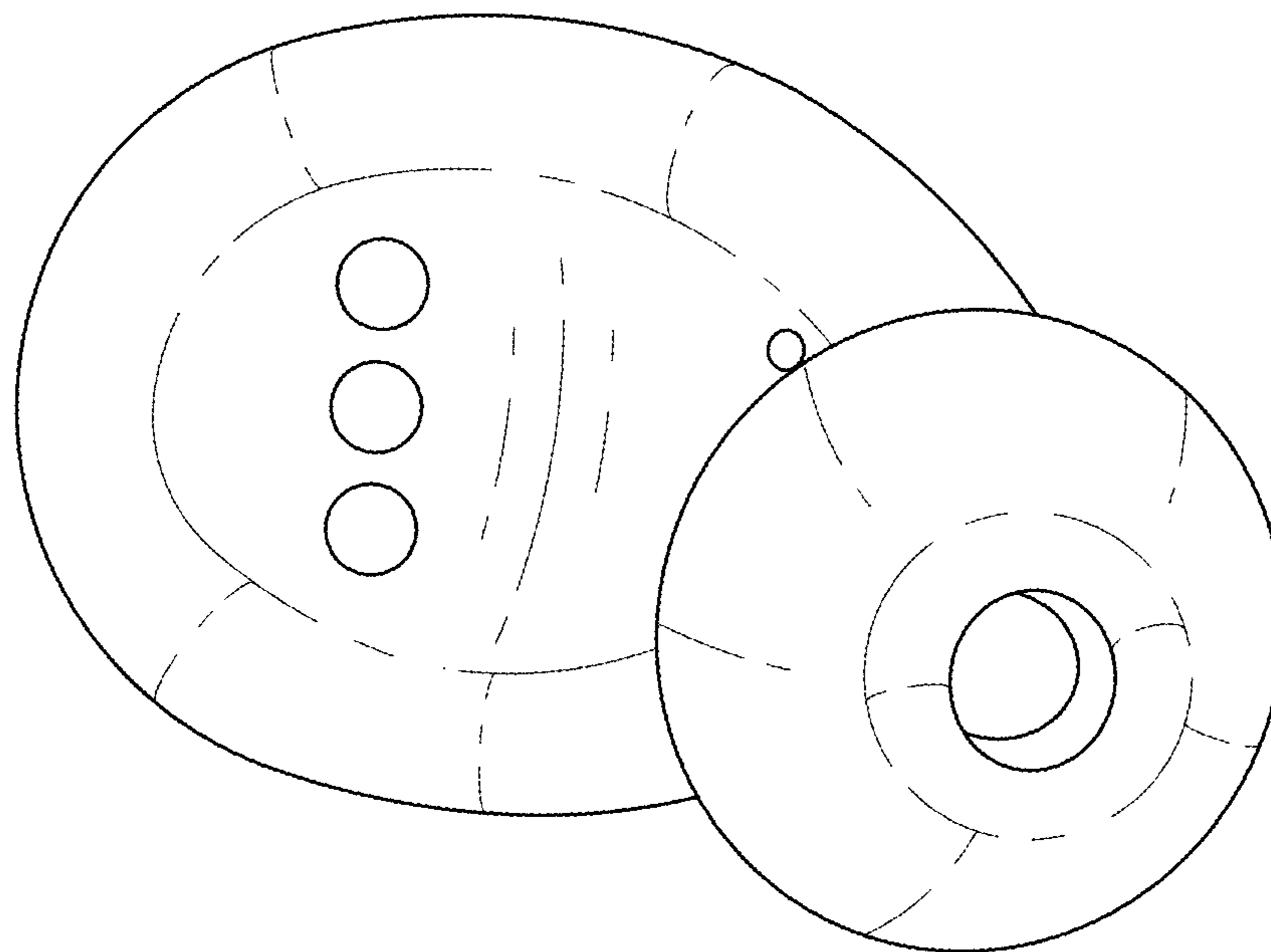


FIG. 8