



US00D868751S

(12) **United States Design Patent** (10) **Patent No.:** **US D868,751 S**
Zeng (45) **Date of Patent:** **** Dec. 3, 2019**

(54) **WIRELESS HEADSET**

(71) Applicant: **GN AUDIO A/S**, Ballerup (DK)

(72) Inventor: **Bill Zeng**, Xiamen (CN)

(73) Assignee: **GN AUDIO A/S** (DK)

(**) Term: **15 Years**

(21) Appl. No.: **29/689,754**

(22) Filed: **May 1, 2019**

Related U.S. Application Data

(62) Division of application No. 29/611,094, filed on Jul. 18, 2017.

(30) **Foreign Application Priority Data**

Feb. 1, 2017 (EM) 003734078-0001

(51) **LOC (12) Cl.** **14-01**

(52) **U.S. Cl.**

USPC **D14/223**; D14/205

(58) **Field of Classification Search**

USPC D14/203.1, 204–206, 208–210, 212, 213, D14/214–217, 219, 221, 222, 223–225, D14/249, 372, 433, 138 R, 182, 188, D14/191–194, 172, 496; D29/112; D12/195, 192, 204, 203; D2/875; D24/173–175, 106; D3/294, 273; D13/108; D8/61, 107

CPC H04R 25/02; H04R 25/00; H04R 1/10; H04R 1/1016; H04R 1/105; H04R 1/1083; H04R 1/1041; H04R 5/033; H04R 7/00; H04R 2420/07; H04R 2430/01; H04R 25/65; H04R 25/656; H04R 25/658; H04R 27/00; H04R 2205/021; H04R 1/28; H04R

(Continued)

(56) **References Cited**

U.S. PATENT DOCUMENTS

D294,071 S † 2/1988 Lallerstedt D28/59
D299,413 S † 1/1989 DeCarolis D8/107

(Continued)

FOREIGN PATENT DOCUMENTS

CN 304151001 † 5/2017
CN 304317801 † 10/2017

(Continued)

OTHER PUBLICATIONS

Plantronics Explorer 500, Oct. 26, 2018 [online], [retrieved Apr. 8, 2019], Available from Internet, URL: <https://www.expertreviews.co.uk/headsets/1406653/best-bluetooth-headsets-phone-handsfree>†

(Continued)

Primary Examiner — Barbara Fox

Assistant Examiner — Mary Claire Ramirez

(74) *Attorney, Agent, or Firm* — Hamre, Schumann, Mueller & Larson, P.C.

(57) **CLAIM**

The ornamental design for a wireless headset, as shown and described.

DESCRIPTION

FIG. 1 is a perspective view of a wireless headset showing the new design.

FIG. 2 is a front planar view of FIG. 1 thereof.

FIG. 3 is a back planar view of FIG. 1 thereof.

FIG. 4 is a right side planar view of FIG. 1 thereof.

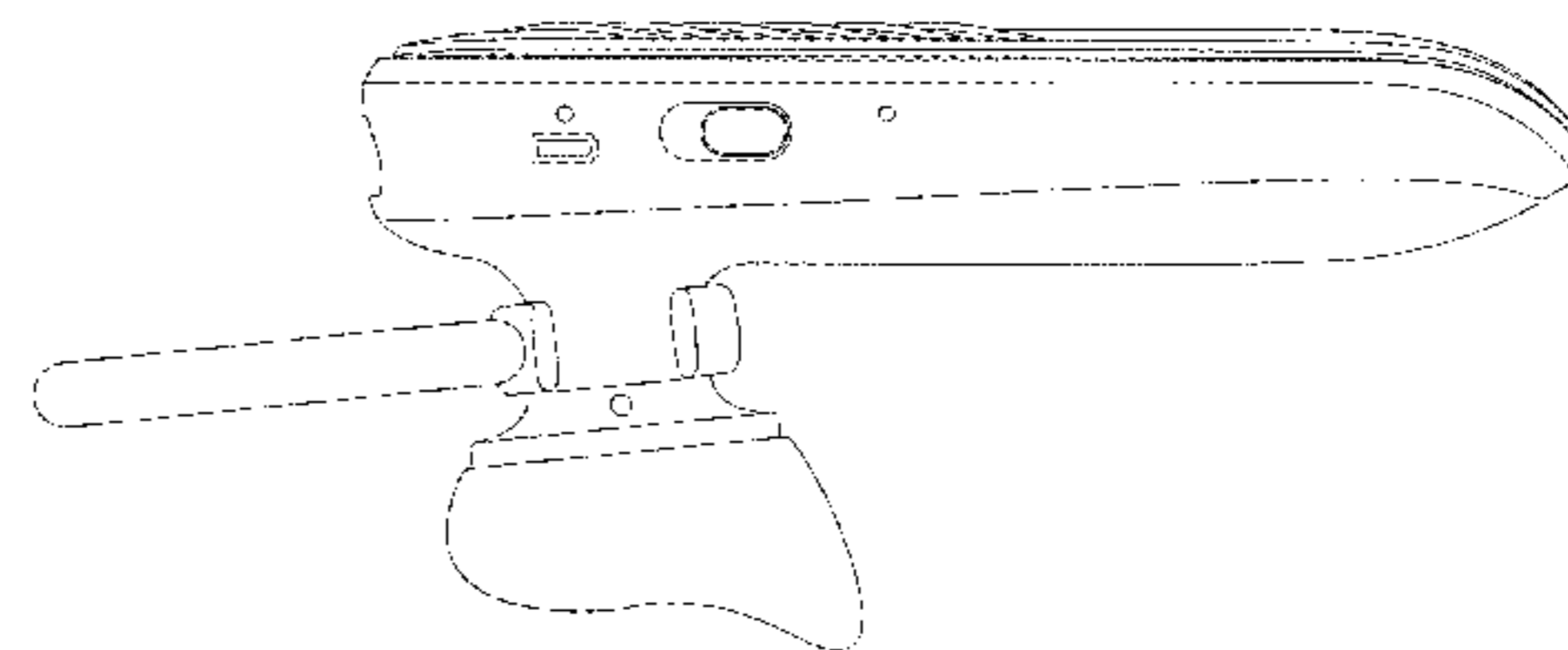
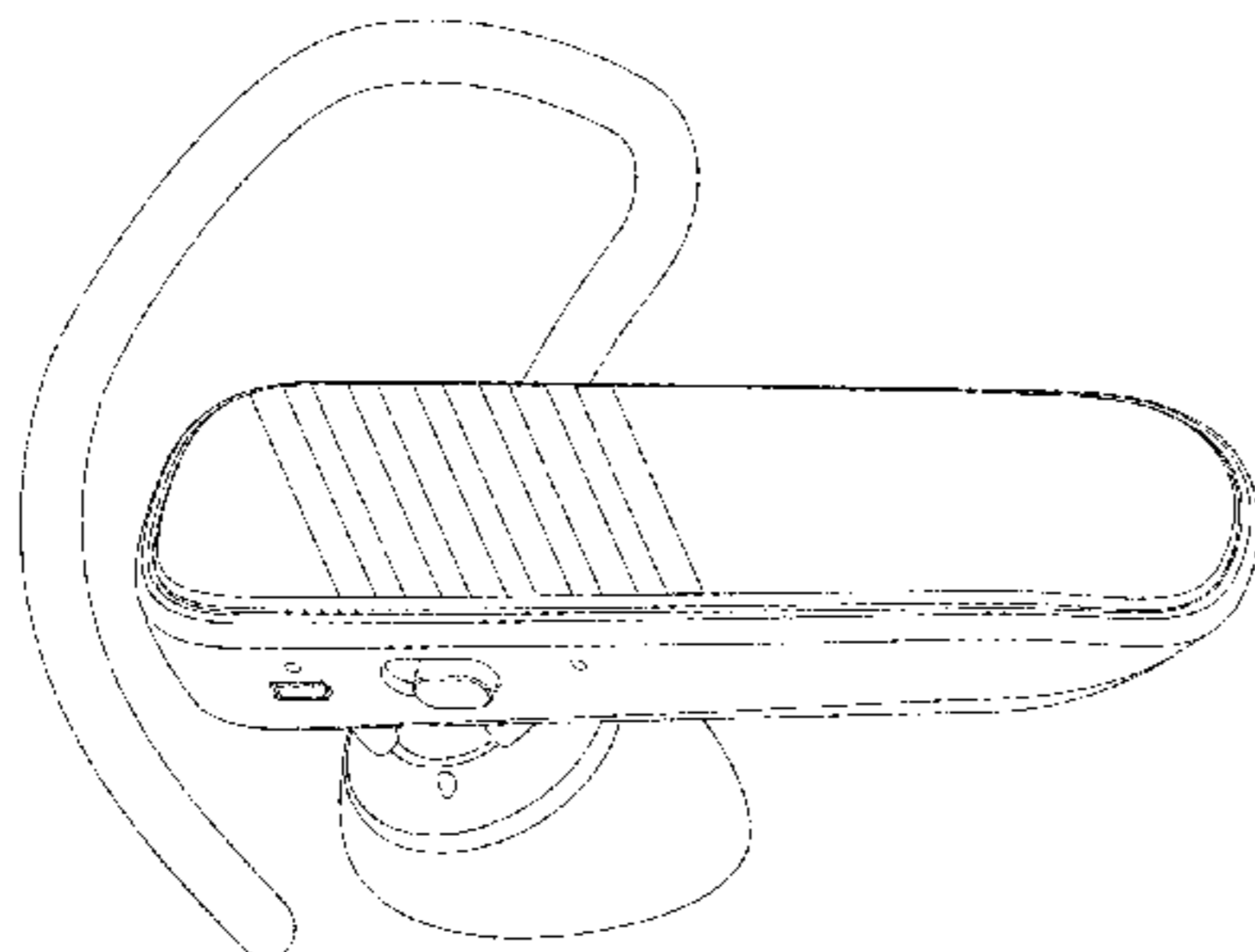
FIG. 5 is a left side planar view of FIG. 1 thereof.

FIG. 6 is a top planar view of FIG. 1 thereof.

FIG. 7 is a bottom planar view of FIG. 1 thereof; and,

FIG. 8 is another perspective view.

(Continued)



The broken lines shown in the drawings depict portions of the wireless headset that form no part of the claimed design.

1 Claim, 6 Drawing Sheets

(58) Field of Classification Search

CPC 1/05; H04R 1/02; H04R 5/0335; A61F 11/00; A61F 11/06; A61F 11/08; A61F 11/12; A61F 11/14

See application file for complete search history.

(56) References Cited

U.S. PATENT DOCUMENTS

D301,070	S	†	5/1989	Lallerstedt	D28/59
D305,975	S	†	2/1990	Emmerling	D4/199
D313,789	S	†	1/1991	Thundercloud	D12/203
D314,772	S	†	2/1991	Pierce	D14/137
D319,378	S	†	8/1991	Wilcox	D8/107
D328,069	S	†	7/1992	Langton	D14/137
D343,344	S	†	1/1994	Chapin	D8/61
D352,881	S	†	11/1994	Schmidt	D8/107
D364,226	S	†	11/1995	Hartmann	D24/147
D379,355	S	†	5/1997	Larson	D14/219
D389,014	S	†	1/1998	Hasegawa	D7/401.2
D393,238	S	†	4/1998	Kraines	D12/203
D400,882	S	†	11/1998	Chen	D14/214
D455,383	S	†	4/2002	Sneed	D12/203
D511,732	S	†	11/2005	Hussaini	D12/203
D519,898	S	†	5/2006	Hussaini	D12/203
D532,275	S	†	11/2006	Lin	D8/107
D538,271	S	†	3/2007	Kim	D14/223
D538,792	S	†	3/2007	Kim	D14/223
D542,204	S	†	5/2007	Lu	D12/203
D551,498	S	†	9/2007	Schmidt	D7/395
D551,653	S	†	9/2007	Nohara	D14/167
D552,430	S	†	10/2007	Chen	D7/649
D562,751	S	†	2/2008	Lu	D12/203
D563,189	S	†	3/2008	Gringer	D8/107
D568,876	S	†	5/2008	Tsai	D14/223
D582,897	S	†	12/2008	Christopher	D14/223
D603,378	S	†	11/2009	Paradise	D14/223
D603,672	S	†	11/2009	Baxter	D8/5
D613,226	S	†	4/2010	Lu	D12/203
D622,265	S	†	8/2010	Rye	D14/223
D634,305	S	†	3/2011	Hoggarth	D14/223
D637,184	S	†	5/2011	March	D14/223
D638,270	S	†	5/2011	Flattinger	D8/107
D640,242	S	†	6/2011	Fahrendorff	D14/223
D647,382	S	†	10/2011	Flattinger	D8/107
D649,957	S	†	12/2011	Fahrendorff	D14/223
D656,490	S	†	3/2012	Birger	D14/223
D657,781	S	†	4/2012	Yang	D14/223

D663,722	S	†	7/2012	Chang	D14/223
D691,120	S	†	10/2013	Koch	D14/223
D709,982	S	†	7/2014	Freeman	D22/118
D710,830	S	†	8/2014	Birger	D14/22
D719,433	S	†	12/2014	Cooper	D16/135
8,938,883	B2	†	1/2015	Gringer	B26B 1/048 30/155
D746,267	S	†	12/2015	Birger	D14/223
D761,075	S	†	7/2016	Masalin	D8/107
D761,769	S	†	7/2016	Harper	D14/223
D772,203	S	†	11/2016	Zeng	D14/22
D779,462	S	†	2/2017	Birger	D14/223
D781,018	S	†	3/2017	Evans	D32/55
D787,478	S	†	5/2017	Wu	D14/223
D792,379	S	†	7/2017	Harper	D14/223
D792,380	S	†	7/2017	Harper	D14/223
D793,317	S	†	8/2017	Alesi	D12/203
D793,368	S	†	8/2017	Harper	D14/223
D793,933	S	†	8/2017	Alesi	D12/203
D793,936	S	†	8/2017	Alesi	D12/203
D800,623	S	†	10/2017	Alesi	D12/203
D800,624	S	†	10/2017	Alesi	D12/203
D813,136	S	†	3/2018	Gross	D12/203
D820,756	S	†	6/2018	Alesi	D12/203
D822,407	S	†	7/2018	Rodenberger	D6/583
D823,088	S	†	7/2018	Lefavour	D8/68
D823,829	S	†	7/2018	Birger	D14/206
D826,480	S	†	8/2018	Bohline	D30/120
D829,166	S	†	9/2018	Lahiri	D13/108
D832,669	S	†	11/2018	Dretzka	D8/61
D835,487	S	†	12/2018	Wason	D8/61
2011/0261988	A1	†	10/2011	Kromann	H04R 1/1016 381/380
2012/0189133	A1	†	7/2012	Kari	H04R 1/1041 381/74
2017/0164086	A1	†	6/2017	Harper	H04R 1/105

FOREIGN PATENT DOCUMENTS

CN	304353917	†	11/2017
EM	001728148-0003	†	7/2010

OTHER PUBLICATIONS

Jabra Talk 2, Nov. 30, 2018 [online], [retrieved Apr. 8, 2019], Available from Internet, URL: <https://www.reviews.com/bluetooth-headset/>†

Jabra Talk 2, Nov. 30, 2018 [online], [retrieved Apr. 8, 2019], Available from the internet, URL: <https://www.reviews.com/bluetooth-headset/>.

Plantronics Explorer 500, Oct. 26, 2018 [online], [retrieved Apr. 8, 2019], Available from the internet, URL: <https://www.expertreviews.co.uk/headsets/1406653/best-bluetooth-headset-phone-handsfree>.

† imported from a related application

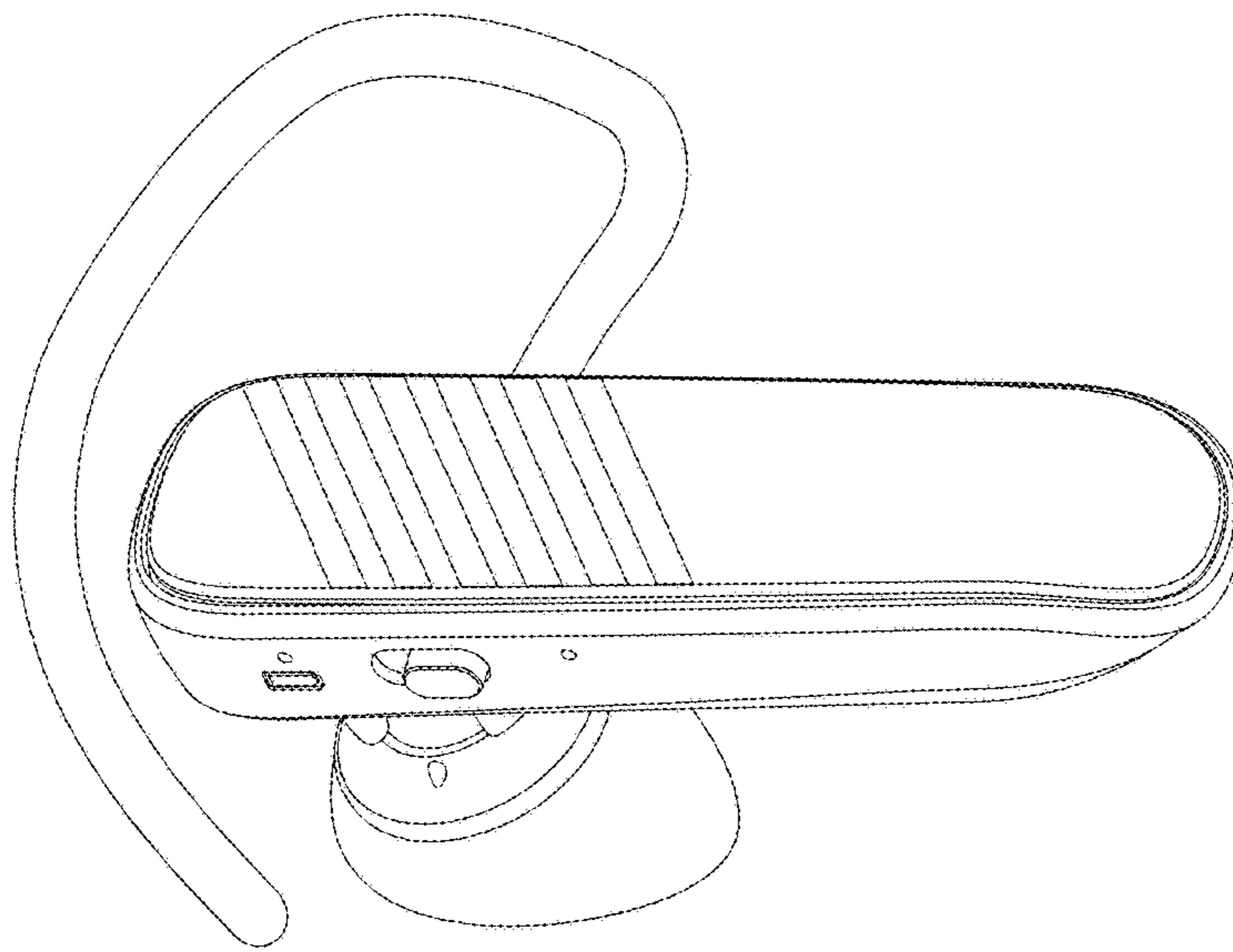


FIG. 1

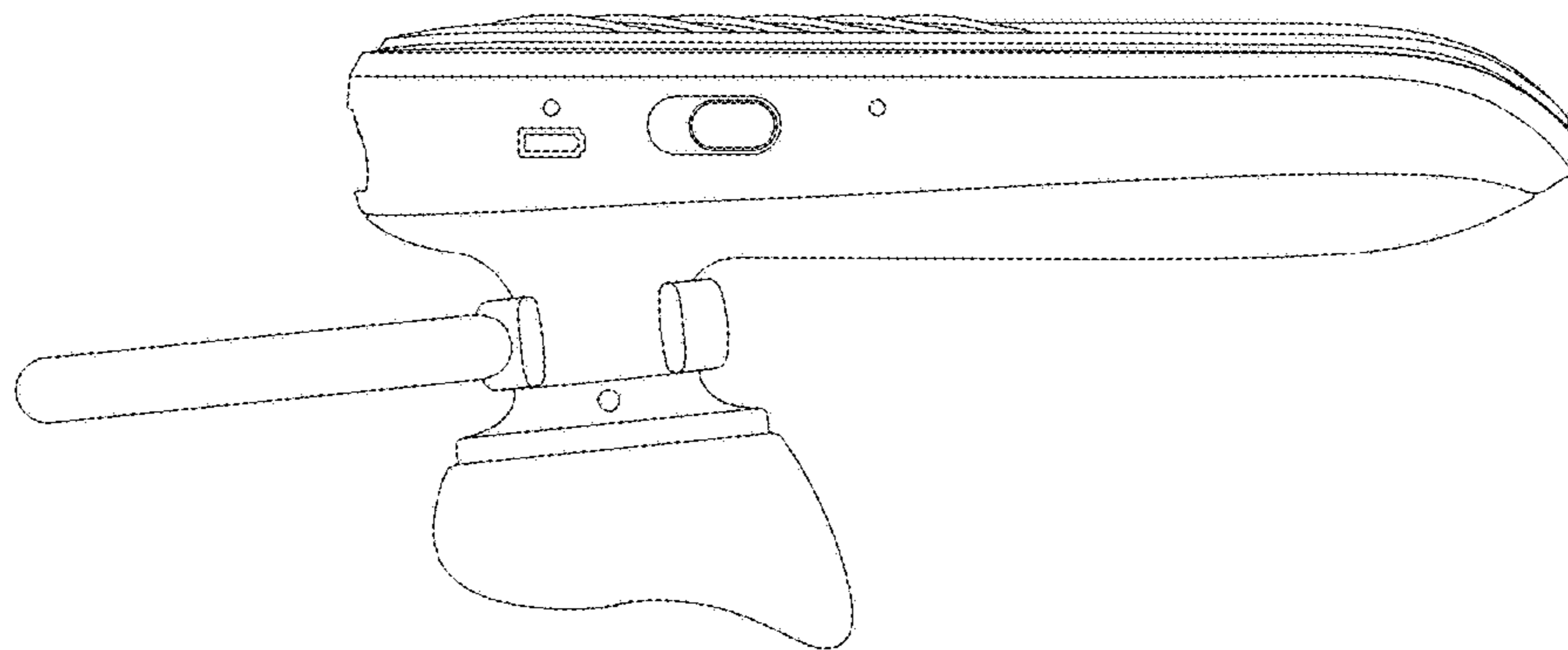


FIG. 2

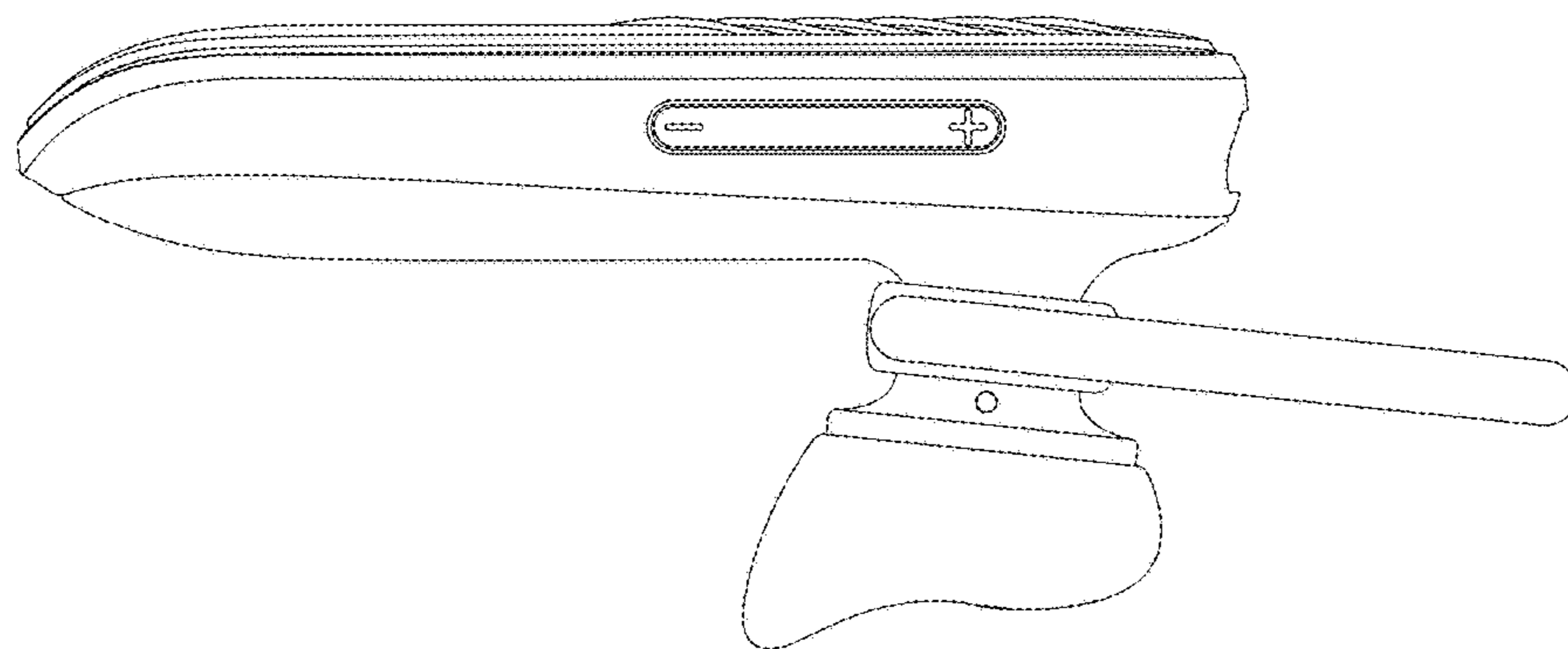


FIG. 3

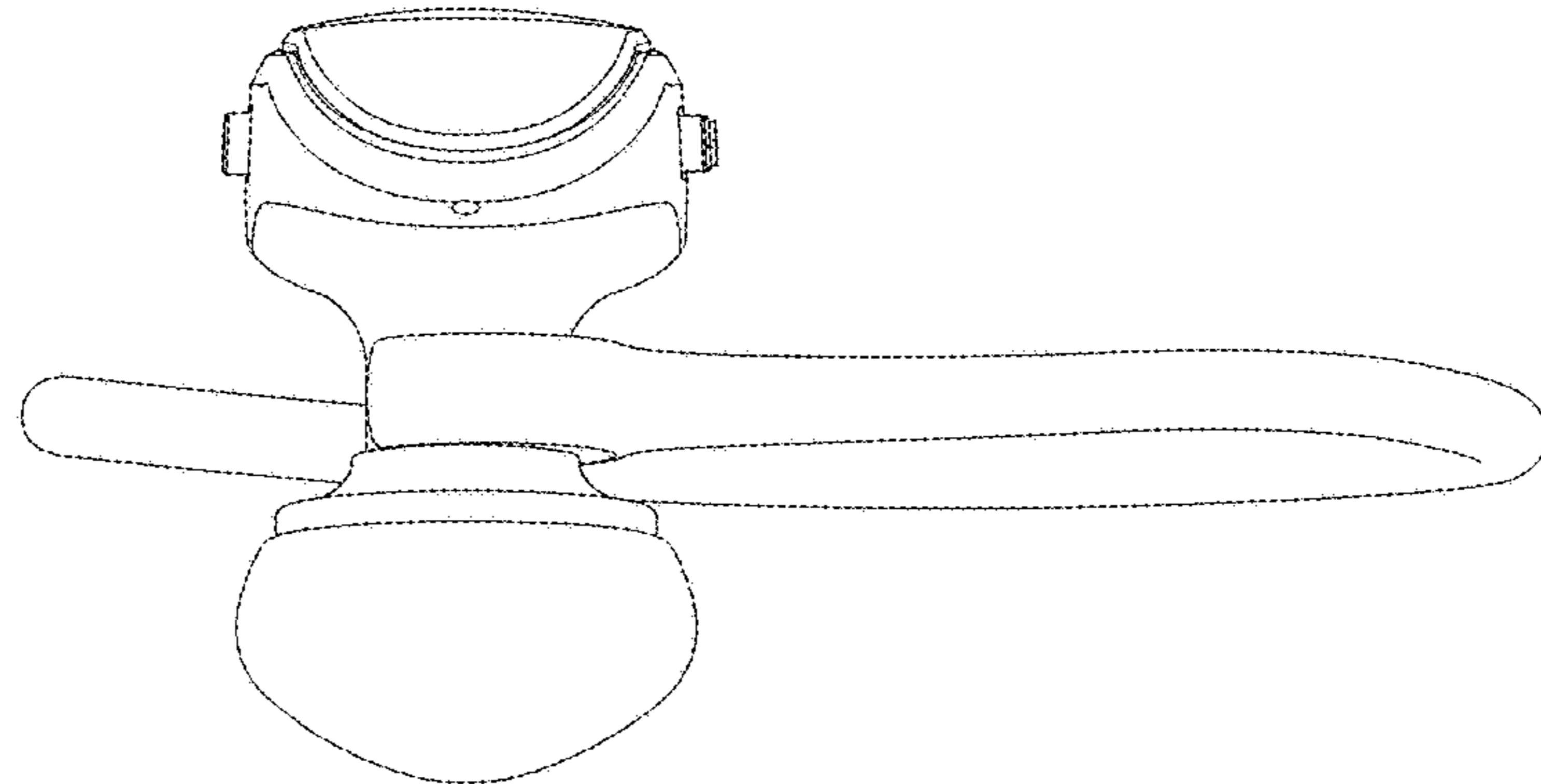


FIG. 4

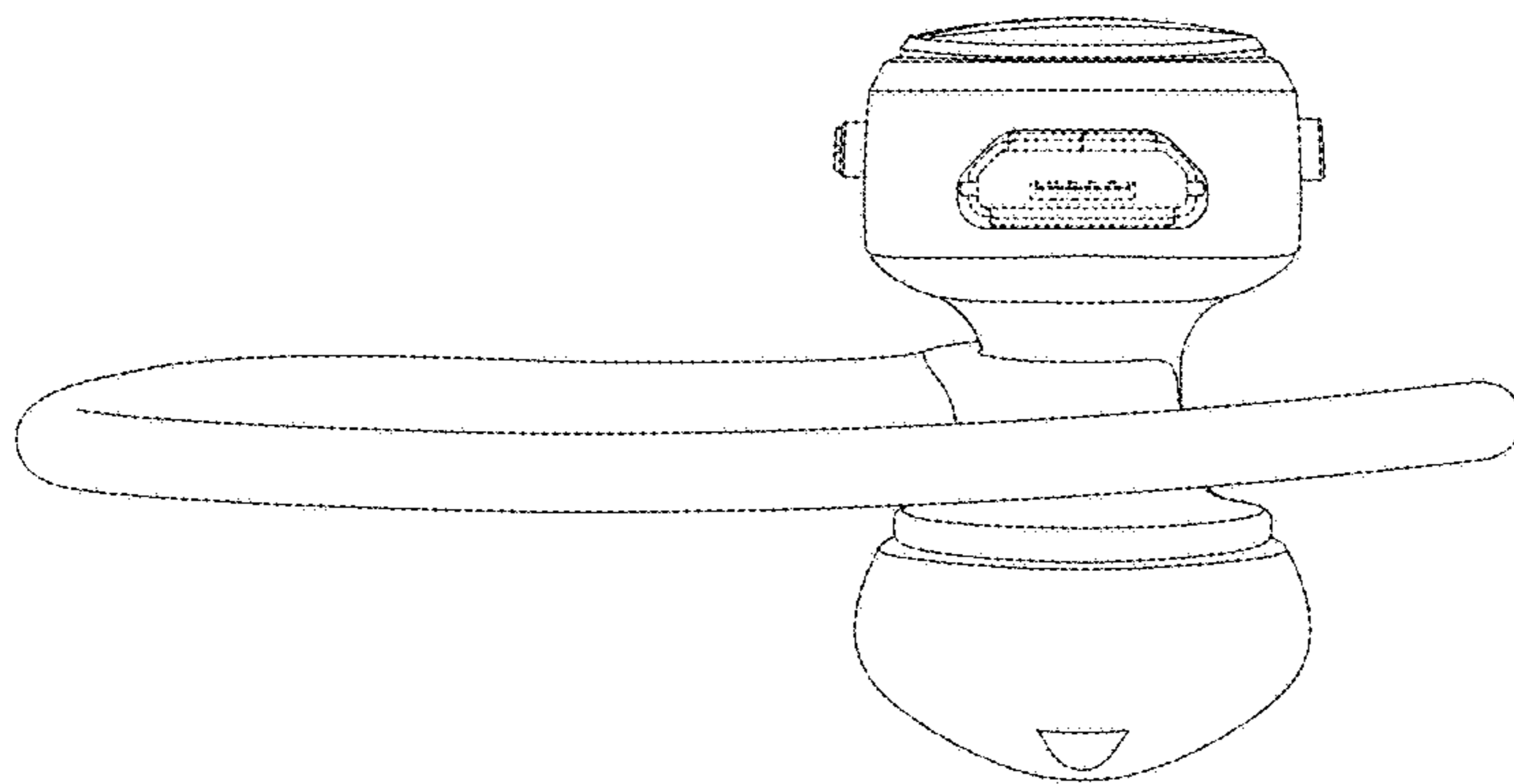


FIG. 5

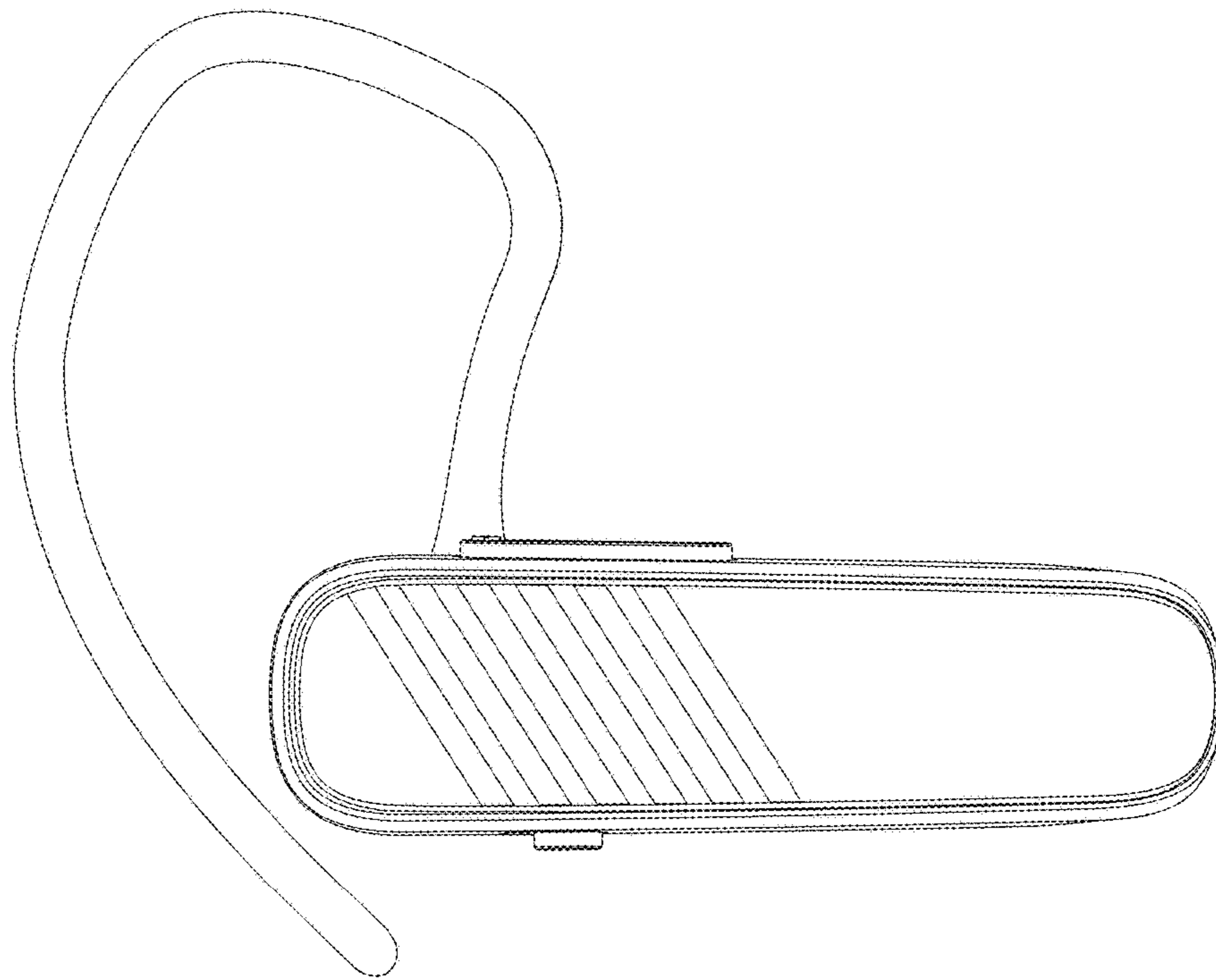


FIG. 6

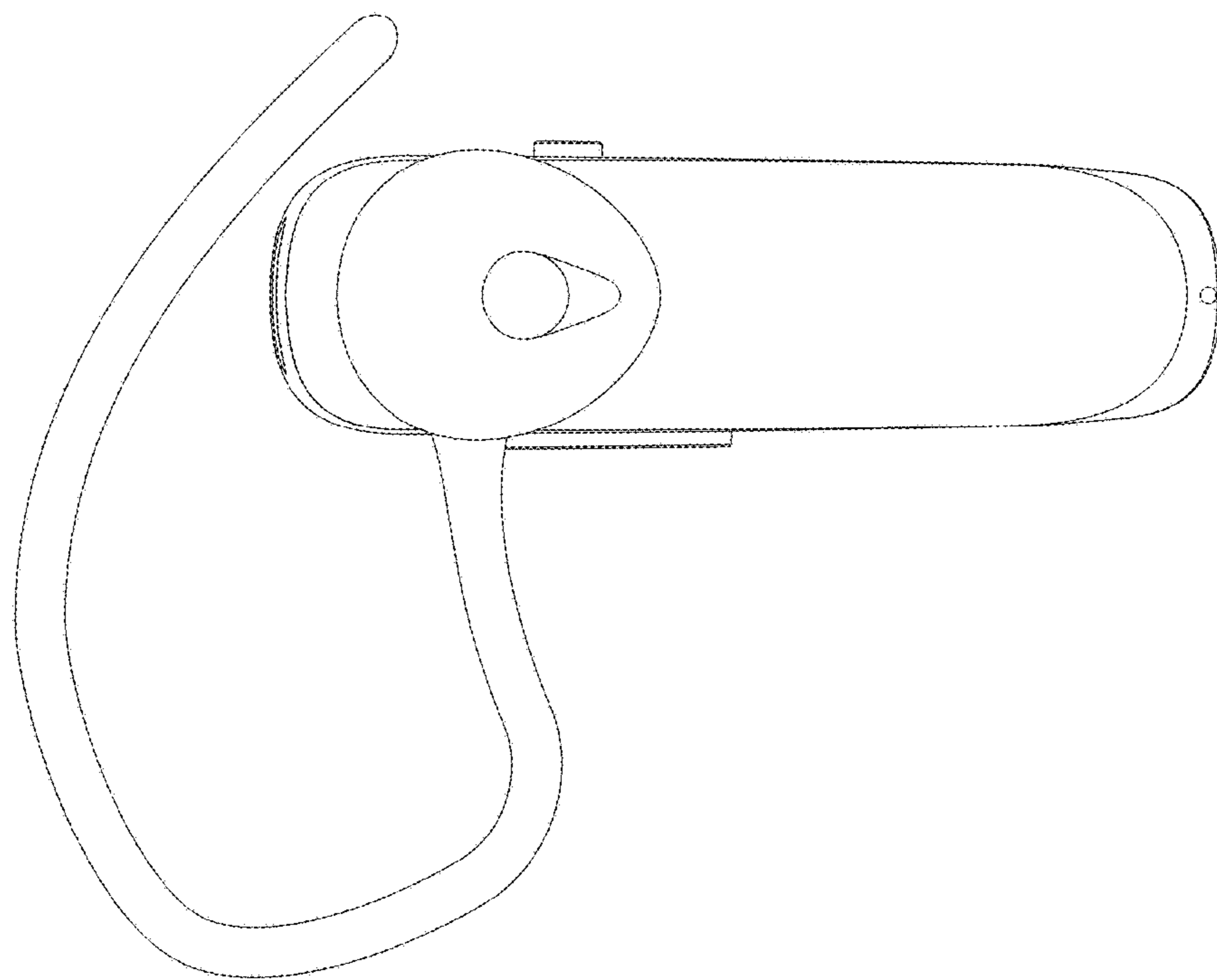


FIG. 7

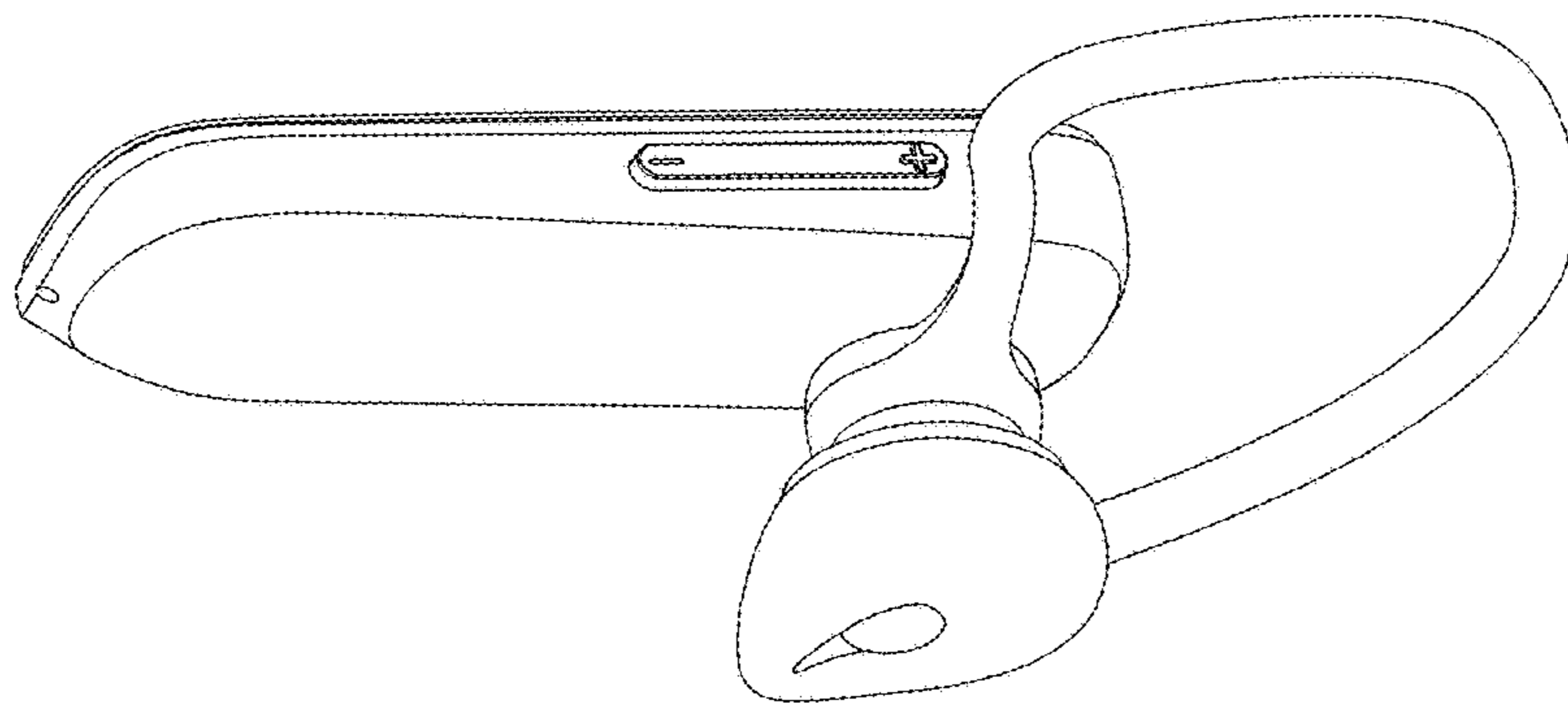


FIG. 8