



US00D868749S

(12) **United States Design Patent**
Brunner et al.

(10) **Patent No.:** **US D868,749 S**
(45) **Date of Patent:** **** Dec. 3, 2019**

(54) **EARPIECE**

(71) Applicant: **Apple Inc.**, Cupertino, CA (US)

(72) Inventors: **Robert Brunner**, San Francisco, CA (US); **Christopher Kuh**, San Francisco, CA (US); **Achille Biteau**, San Francisco, CA (US)

(73) Assignee: **Apple Inc.**, Cupertino, CA (US)

(**) Term: **15 Years**

(21) Appl. No.: **29/654,520**

(22) Filed: **Jun. 25, 2018**

Related U.S. Application Data

(63) Continuation of application No. 29/595,719, filed on Mar. 1, 2017, now Pat. No. Des. 821,364, which is a continuation of application No. 29/533,509, filed on Jul. 17, 2015, now Pat. No. Des. 780,721, which is a continuation of application No. 29/490,934, filed on May 15, 2014, now Pat. No. Des. 734,744, and a continuation of application No. 29/490,932, filed on May 15, 2014, now Pat. No. Des. 743,945, and a continuation of application No. 29/490,936, filed on May 15, 2014, now Pat. No. Des. 743,946.

(51) **LOC (12) Cl.** **14-01**

(52) **U.S. Cl.**
USPC **D14/223**

(58) **Field of Classification Search**
USPC D14/223, 205; D24/174; 128/864, 865, 128/866; 181/129, 130, 135; 379/430, 379/431; 381/380, 381; 455/90.3, 575.1, 455/569.1
CPC H04R 1/10; H04R 25/00; H04R 25/02; H04R 1/1016; H04R 1/1066; H04R 5/033; H04R 5/0335; H04R 1/1033; H04R 1/1058; H04R 1/025

See application file for complete search history.

(56) **References Cited**

U.S. PATENT DOCUMENTS

968,008	A *	8/1910	Waller	129/866
1,558,191	A *	10/1925	Lindemann	H04R 1/1008 181/129
2,009,390	A *	7/1935	Bayardi	A44C 17/001 63/32
2,261,448	A	11/1939	Peterson	
2,248,837	A *	7/1941	Walters	H04R 25/652 381/380
2,430,229	A *	11/1947	Kelsey	H04R 1/1058 381/338
2,474,135	A *	6/1949	White	H04R 25/656 381/381
2,545,731	A *	3/1951	French	H04R 25/604 181/135
2,719,523	A *	10/1955	Von Gierke	A61F 11/10 128/864
2,739,660	A *	3/1956	French	H04R 25/60 181/135

(Continued)

Primary Examiner — Paula Allen Greene

(74) *Attorney, Agent, or Firm* — Sterne, Kessler, Goldstein & Fox P.L.L.C.

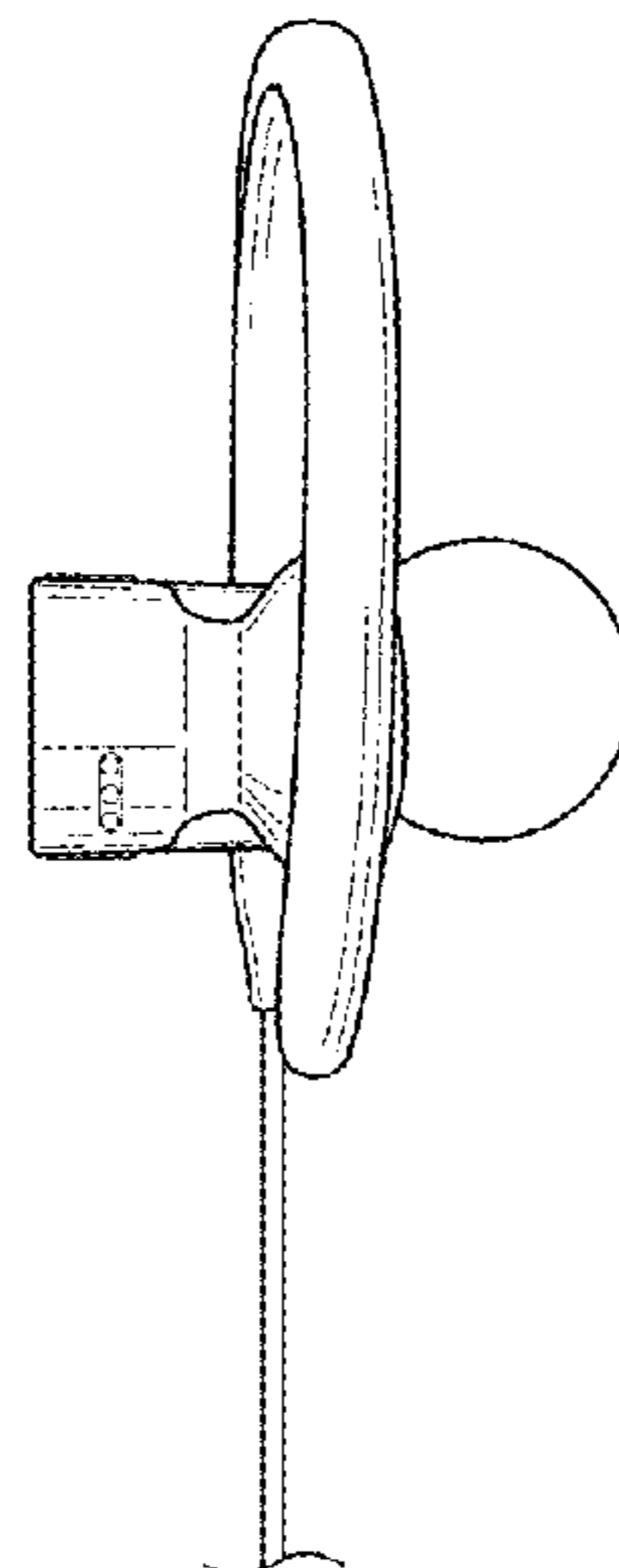
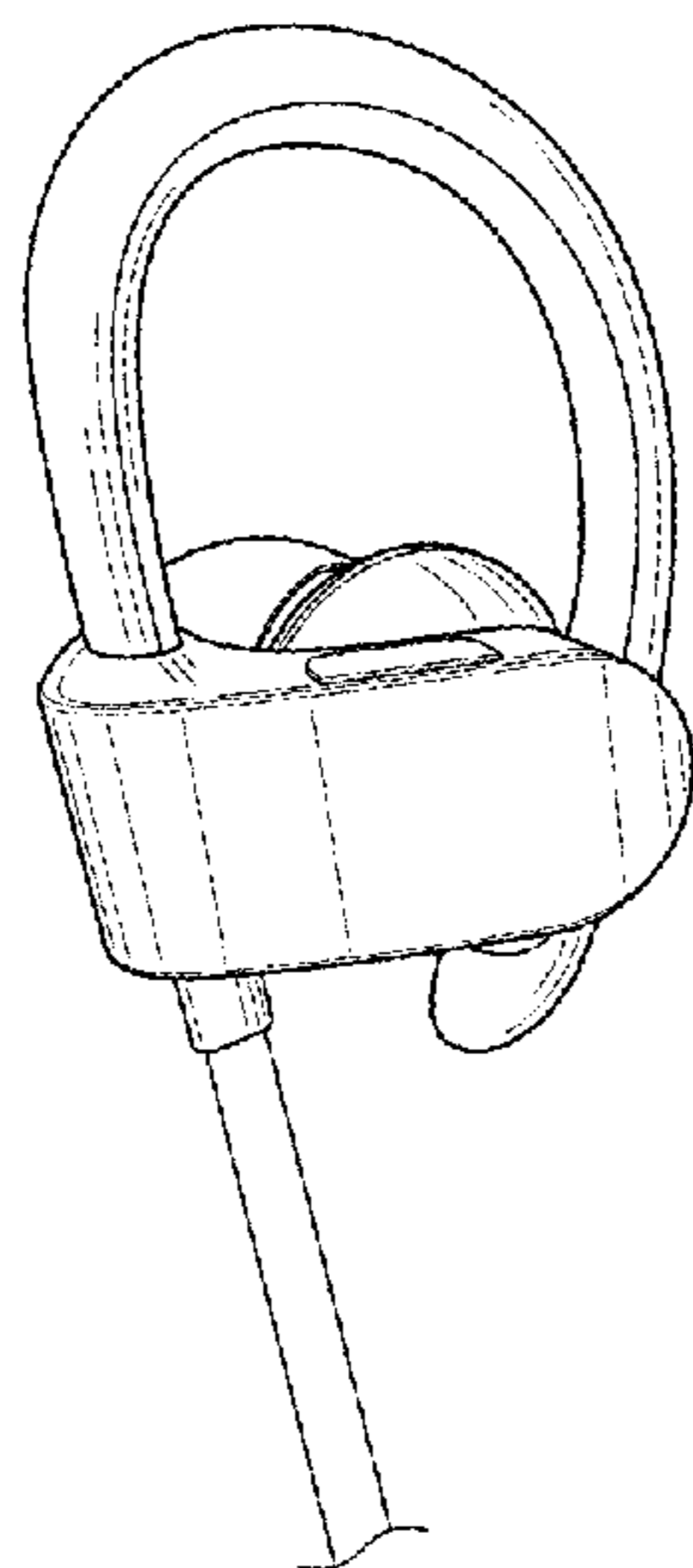
(57) **CLAIM**

The ornamental design for an earpiece, as shown and described.

DESCRIPTION

FIG. 1 is a perspective view of an earpiece showing the claimed design;
FIG. 2 is a front view thereof;
FIG. 3 is a rear view thereof;
FIG. 4 is a right side view thereof;
FIG. 5 is a left side view thereof;
FIG. 6 is a top view thereof; and,
FIG. 7 is a bottom view thereof.

1 Claim, 2 Drawing Sheets



US D868,749 S

(56)

References Cited

U.S. PATENT DOCUMENTS

3,319,736 A *	5/1967	Reynolds	A61B 7/02 181/131	7,551,748 B2 *	6/2009	Kamo	H04R 1/1016 381/328
4,133,984 A *	1/1979	Akiyama	H04R 25/456 181/135	D597,084 S *	7/2009	Gondo	D14/223
4,253,452 A *	3/1981	Powers	A61F 11/08 128/864	D601,126 S	9/2009	Christopher et al.	
4,646,872 A *	3/1987	Kamon	H04R 1/225 181/129	D601,548 S	10/2009	Morisawa	
D304,191 S	10/1989	Sekine		D603,378 S	11/2009	Paradise	
4,997,055 A *	3/1991	Grady	A61B 7/026 181/131	D603,847 S	11/2009	Chung	
5,179,501 A *	1/1993	Ocken	H05K 1/0278 174/254	D606,048 S	12/2009	Soetejo et al.	
5,210,792 A *	5/1993	Kajihara	H04M 1/05 379/430	7,648,005 B2 *	1/2010	Leong	A61F 11/08 128/867
5,410,608 A	4/1995	Lucey et al.		7,664,287 B2 *	2/2010	Neu	H04R 1/105 381/374
5,625,171 A *	4/1997	Marshall	H04R 1/1058 181/130	7,681,577 B2 *	3/2010	Blanchard	A61F 11/08 128/846
5,659,156 A *	8/1997	Mauney	H04R 1/1016 181/130	7,708,110 B2 *	5/2010	Leong	A61F 11/08 128/867
D403,300 S	12/1998	Renk		D617,780 S	6/2010	Jaakkola et al.	
D421,755 S	3/2000	Pitel		D618,669 S	6/2010	Johnson et al.	
6,056,082 A *	5/2000	Lindgren	A61F 11/12 128/864	D624,529 S	9/2010	Huang	
6,101,260 A *	8/2000	Jensen	H04M 1/05 379/430	7,841,446 B2 *	11/2010	Leong	A61F 11/08 128/867
D436,623 S	1/2001	Schmidt et al.		D631,470 S	1/2011	Yoneyama et al.	
6,233,344 B1 *	5/2001	Clegg	H04R 1/083 381/330	D635,960 S *	4/2011	Gondo	D14/223
D443,261 S	6/2001	Yuyama		D638,409 S	5/2011	Walter	
D460,749 S	7/2002	Liu		8,068,633 B2 *	11/2011	Lee	H04R 1/1033 181/129
6,427,018 B1 *	7/2002	Keliiliki	H04R 1/1066 381/370	8,090,135 B2 *	1/2012	Lin	H04R 1/083 381/381
D471,889 S	3/2003	Rath et al.		D658,157 S	4/2012	McManigal	
D477,593 S	6/2003	Komiyama		8,265,328 B2 *	9/2012	Milde	H04R 1/1066 381/370
D482,348 S	11/2003	Villaverde et al.		D668,631 S	10/2012	Katsumata et al.	
D484,166 S	12/2003	Senda		D671,523 S	11/2012	Daniel	
6,728,388 B1 *	4/2004	Nageno	H04R 1/105 381/330	D686,196 S	7/2013	Lee et al.	
6,738,487 B1 *	5/2004	Nageno	H04R 1/1016 381/322	D695,275 S	12/2013	Chee	
6,771,790 B2 *	8/2004	Liu	H04M 1/05 381/375	D699,213 S	2/2014	Burgett et al.	
D501,196 S	1/2005	Dyer et al.		D710,333 S *	8/2014	Davies	H04R 1/10 D14/223
6,868,284 B2 *	3/2005	Bae	H04M 1/05 379/428.02	D712,382 S *	9/2014	Brunner	D14/223
D510,085 S	9/2005	Suzuki		D713,385 S	9/2014	Burgett et al.	
D510,575 S	10/2005	Leong		D713,822 S	9/2014	Paradise et al.	
D528,531 S	9/2006	Rose et al.		8,908,899 B1	12/2014	Yang	
D538,269 S	3/2007	Tragatschnig		D725,637 S *	3/2015	Nakajima	D14/223
D538,270 S	3/2007	Kim et al.		D734,744 S *	7/2015	Brunner	D14/223
D538,271 S	3/2007	Kim et al.		D740,260 S *	10/2015	Brunner	D14/223
D538,792 S	3/2007	Kim et al.		D741,299 S *	10/2015	Brunner	D14/223
D539,787 S	4/2007	Kim et al.		D743,945 S *	11/2015	Brunner	D14/223
D542,267 S	5/2007	Cha et al.		D743,946 S *	11/2015	Brunner	D14/223
D543,968 S	6/2007	Wong		D745,862 S	12/2015	Otani et al.	
7,231,056 B2 *	6/2007	Chen	H04R 1/1066 381/374	D767,532 S	9/2016	Jen	
D550,202 S	9/2007	Meier et al.		D775,610 S *	1/2017	Nakajima	D14/223
D556,735 S	12/2007	Yeo		D780,721 S *	3/2017	Brunner	D14/223
D575,772 S	8/2008	Schultz et al.		D787,477 S *	5/2017	Lee	D14/223
D584,293 S	1/2009	Kim et al.		D792,378 S *	7/2017	Brunner	D14/223
D584,294 S	1/2009	Nam et al.		D799,316 S	10/2017	Thain et al.	
D593,075 S	5/2009	Williams et al.		D806,684 S *	1/2018	Tsai	D14/223
				D807,331 S	1/2018	Morimoto	
				D809,487 S *	2/2018	Lee	D14/223
				D810,053 S	2/2018	Otani et al.	
				D821,364 S *	6/2018	Brunner	D14/223
				D834,003 S *	11/2018	Maeda	D14/223
				D838,692 S *	1/2019	Fu	D14/223
				D844,588 S *	4/2019	Brunner	D14/223
				2013/0216087 A1	8/2013	MacDonald	
				2014/0138150 A1	5/2014	Huang	
				2017/0105679 A1 *	4/2017	Gil	A61B 5/02055

* cited by examiner

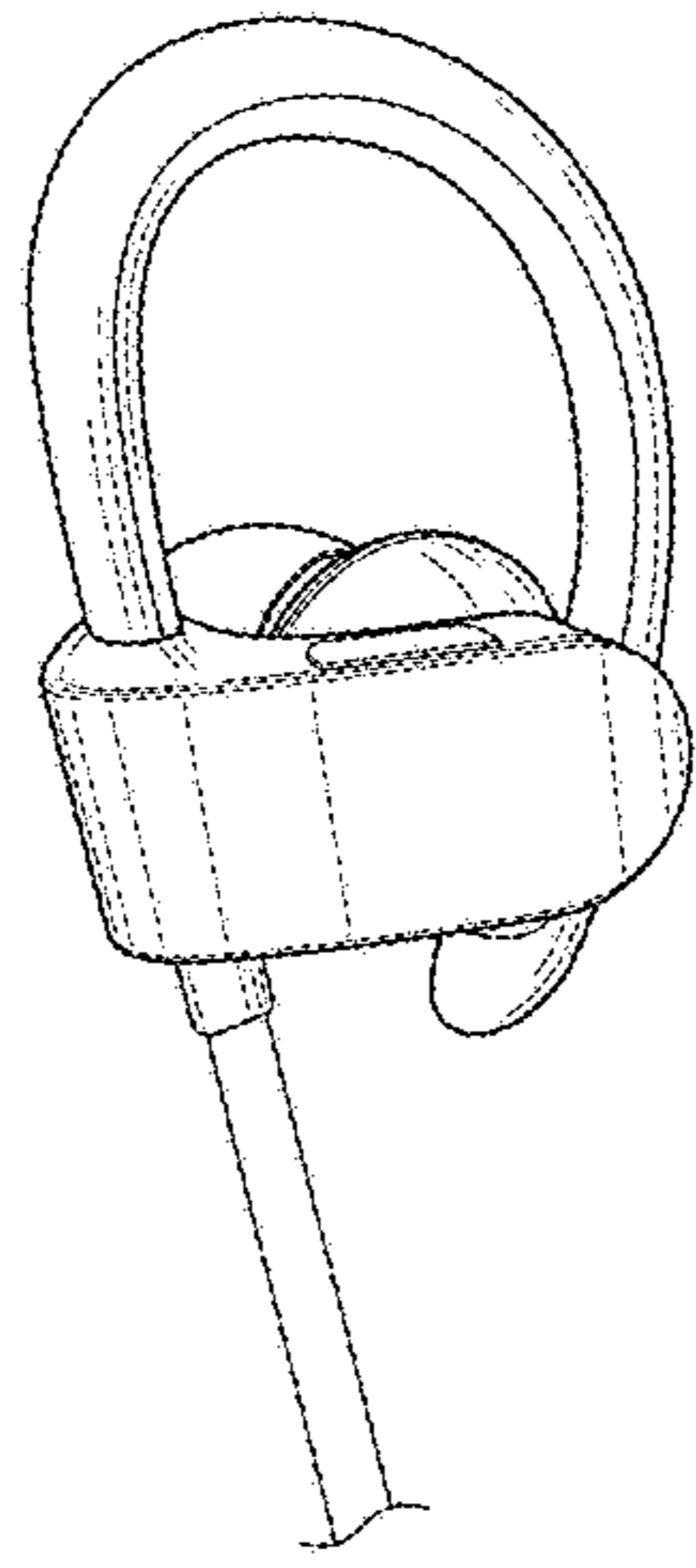


FIG. 1

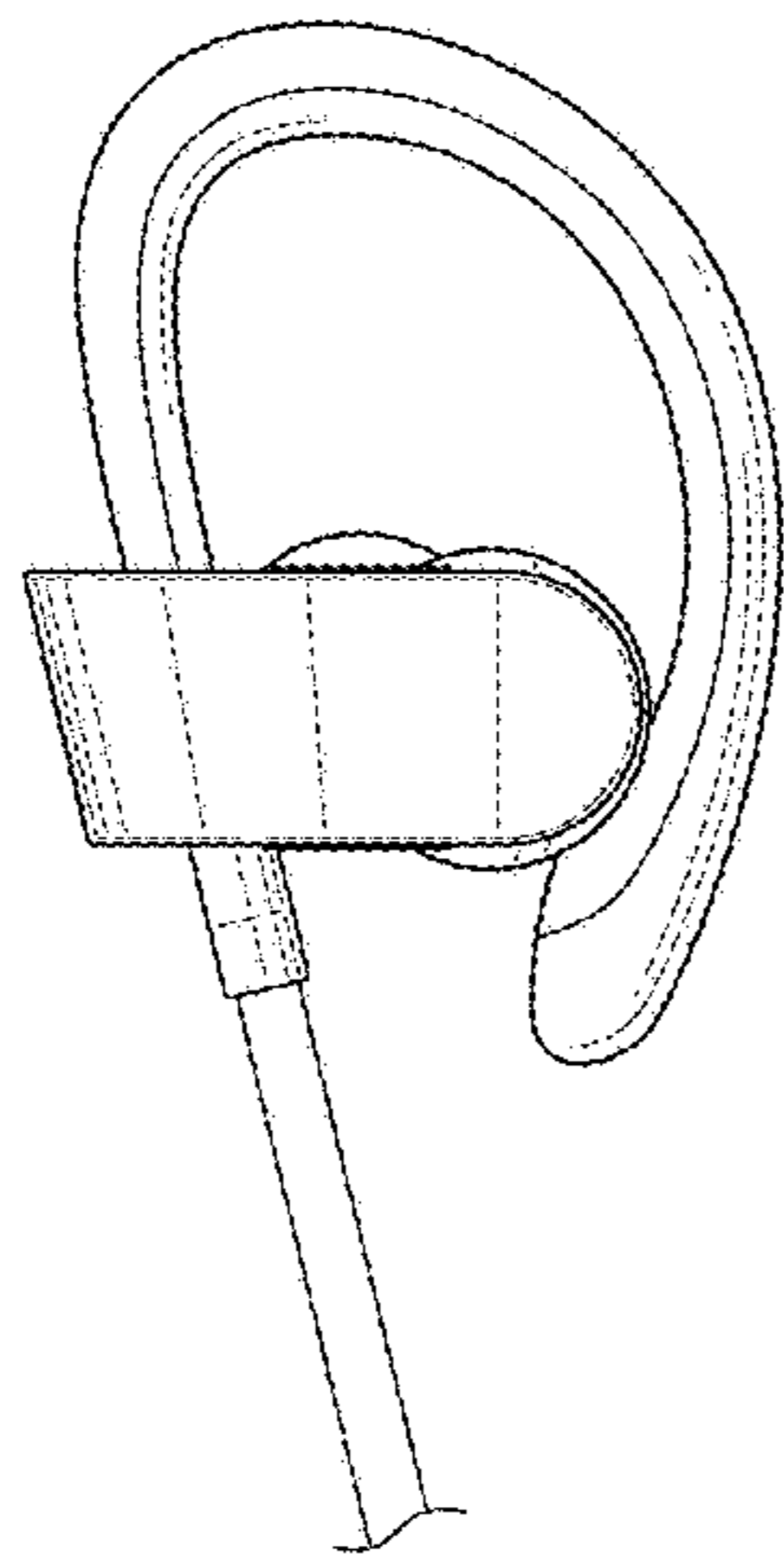


FIG. 2

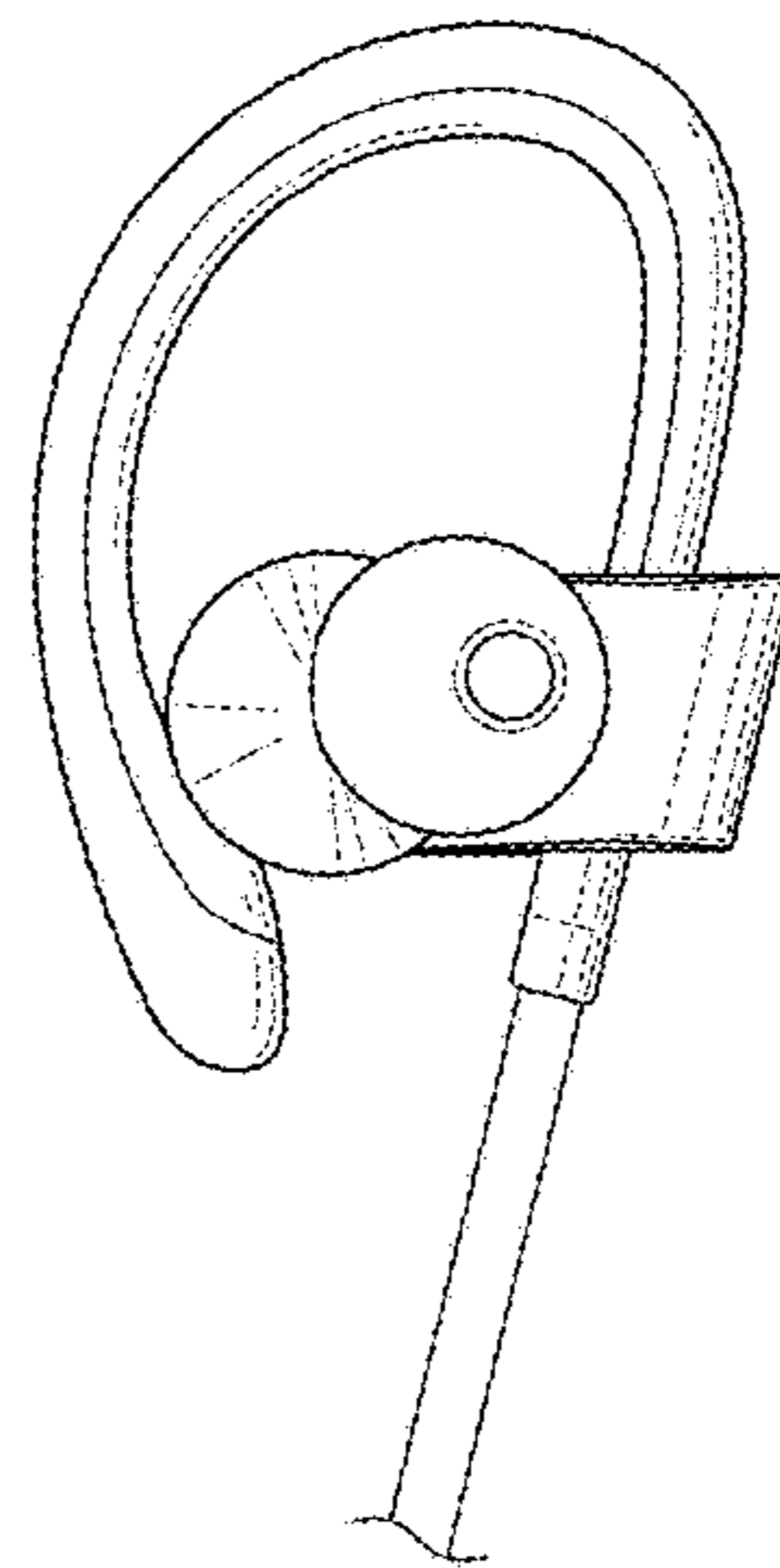


FIG. 3

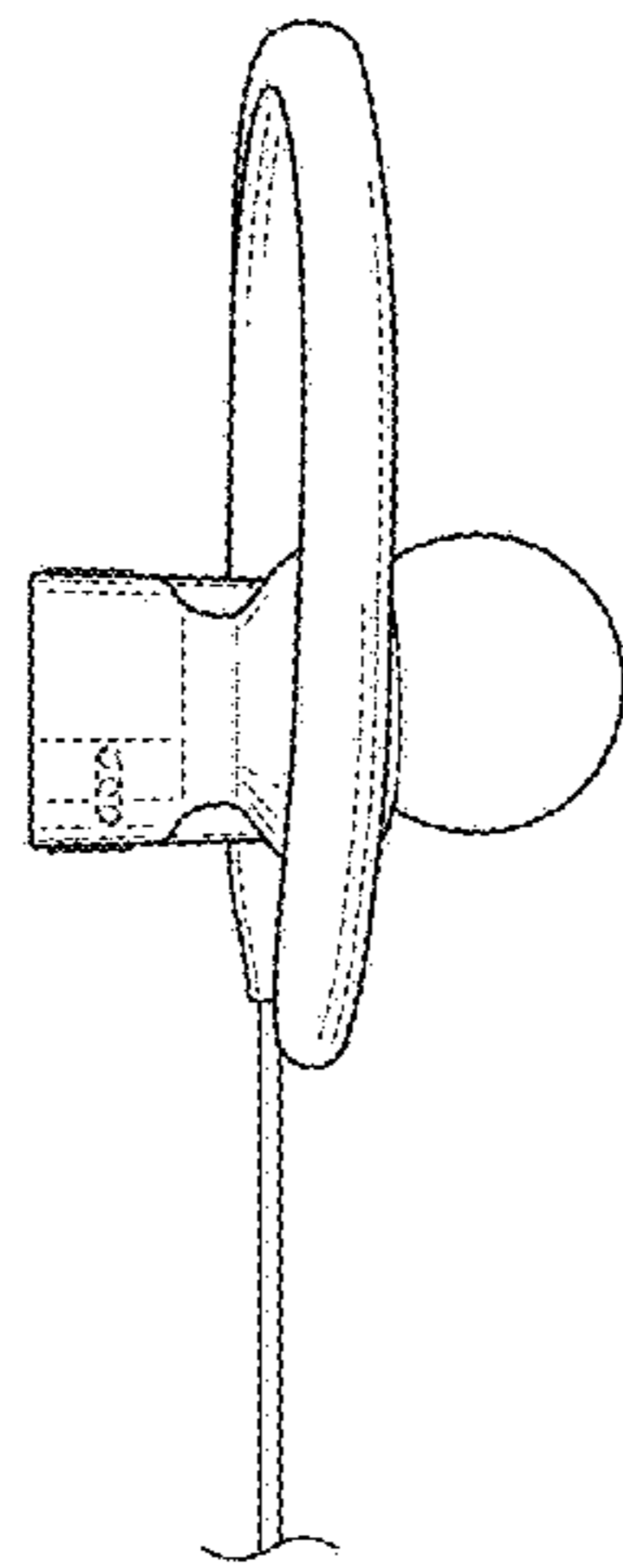


FIG. 4

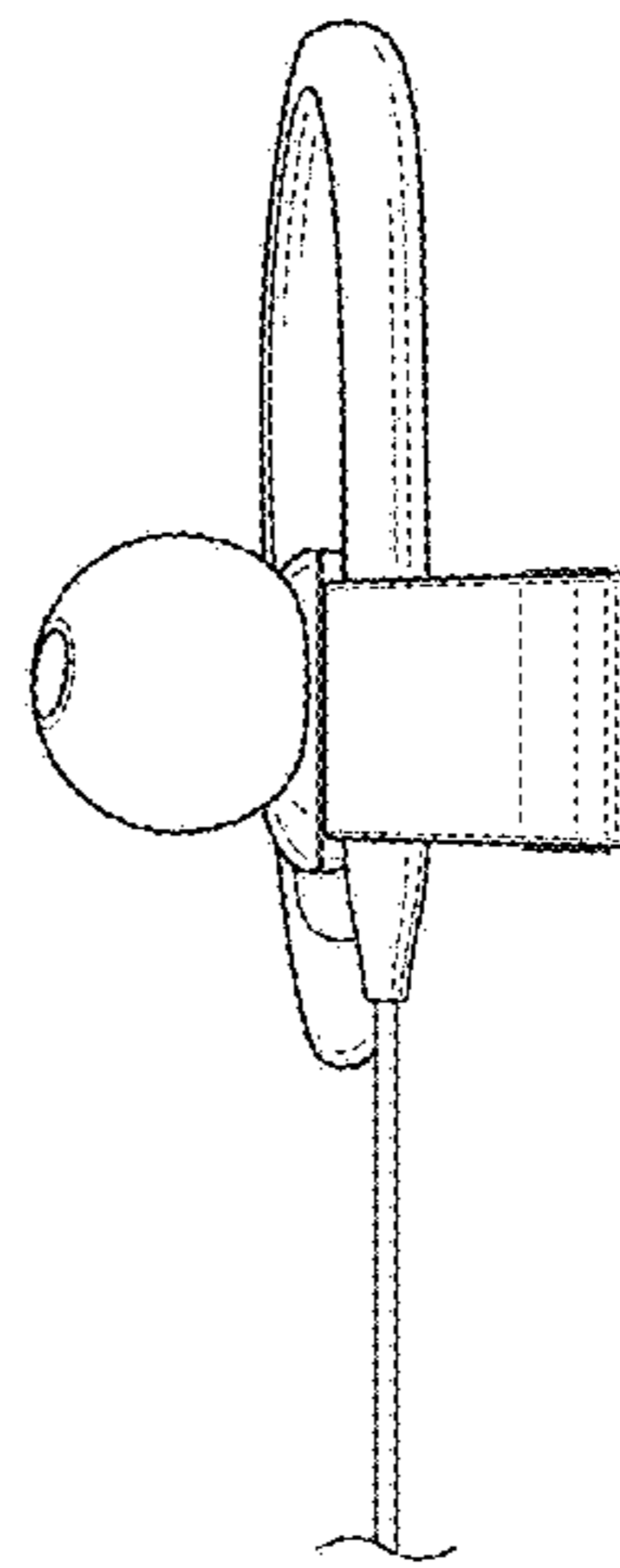


FIG. 5

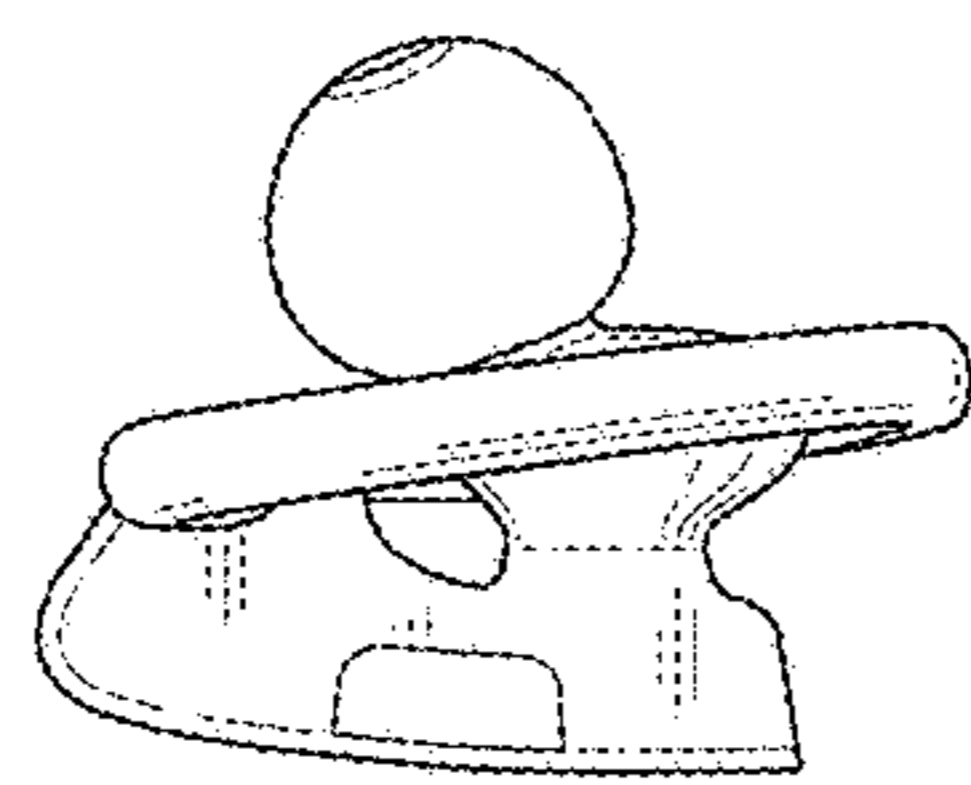


FIG. 6

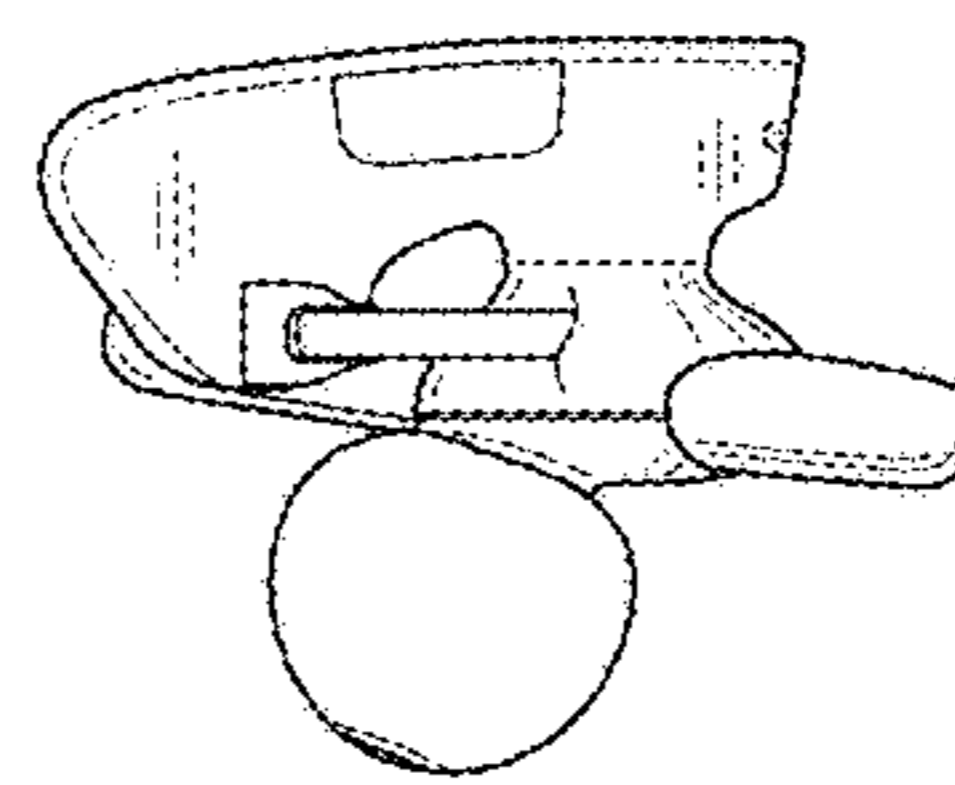


FIG. 7