



US00D868746S

(12) **United States Design Patent** (10) **Patent No.:** **US D868,746 S**
Deyaf (45) **Date of Patent:** **** Dec. 3, 2019**

(54) **CONTROLLER**

(71) Applicant: **SpeedTech Lights, Inc.**, Buda, TX (US)

(72) Inventor: **Malik Deyaf**, Buda, TX (US)

(73) Assignee: **SpeedTech Lights, Inc.**, Buda, TX (US)

(**) Term: **15 Years**

(21) Appl. No.: **29/699,159**

(22) Filed: **Jul. 23, 2019**

(51) **LOC (12) Cl.** **14-03**

(52) **U.S. Cl.**
USPC **D14/218**; D13/168

(58) **Field of Classification Search**
USPC D14/218; D13/168
CPC .. A47C 31/008; A61G 13/02; G07C 9/00944;
G08C 17/00; G08C 17/02; H04B 1/202;
H01H 9/02; H01H 9/0214; H01H 9/0235;
H01H 9/0242
See application file for complete search history.

(56) **References Cited**

U.S. PATENT DOCUMENTS

| | | | | | | |
|-----------|---|---|---------|-----------------|-------|-------------------------|
| 2,078,060 | A | * | 4/1937 | Clement | | H03J 5/146 455/174.1 |
| D206,443 | S | * | 12/1966 | Cappucci et al. | | D14/218 |
| D253,698 | S | * | 12/1979 | Nichols | | D14/148 |
| D261,641 | S | * | 11/1981 | Uzzell | | D13/168 |
| D263,466 | S | * | 3/1982 | Hiraki | | D14/218 |
| D278,054 | S | * | 3/1985 | Vajdaffy | | D14/159 |
| D293,671 | S | * | 1/1988 | Beaumont | | D14/218 |
| D314,386 | S | * | 2/1991 | Culbertson | | D14/137 |
| D334,925 | S | * | 4/1993 | Beaumont | | D14/137 |
| D356,316 | S | * | 3/1995 | Culbertson | | D14/137 |

| | | | | | | |
|----------|---|---|---------|-------------------|-------|---------|
| D393,629 | S | * | 4/1998 | Tsui | | D13/168 |
| D450,675 | S | | 11/2001 | Kim et al. | | |
| D467,578 | S | | 12/2002 | Ichijima et al. | | |
| D533,142 | S | | 12/2006 | Chen et al. | | |
| D571,780 | S | * | 6/2008 | Tan | | D14/188 |
| D596,061 | S | | 7/2009 | Kurumagawa et al. | | |
| D647,062 | S | | 10/2011 | Deyaf | | |
| D724,002 | S | | 3/2015 | Wou et al. | | |
| D763,829 | S | | 8/2016 | Moriwaki et al. | | |
| D793,364 | S | * | 8/2017 | Deyaf | | D10/49 |

OTHER PUBLICATIONS

U.S. Appl. No. 29/659,340, filed Aug. 8, 2018, Deyaf et al.
U.S. Appl. No. 29/659,331, filed Aug. 8, 2018, Deyaf et al.
U.S. Appl. No. 29/659,328, filed Aug. 8, 2018, Deyaf et al.
U.S. Appl. No. 29/659,327, filed Aug. 8, 2018, Deyaf et al.
U.S. Appl. No. 29/659,322, filed Aug. 8, 2018, Deyaf et al.

* cited by examiner

Primary Examiner — John Windmuller

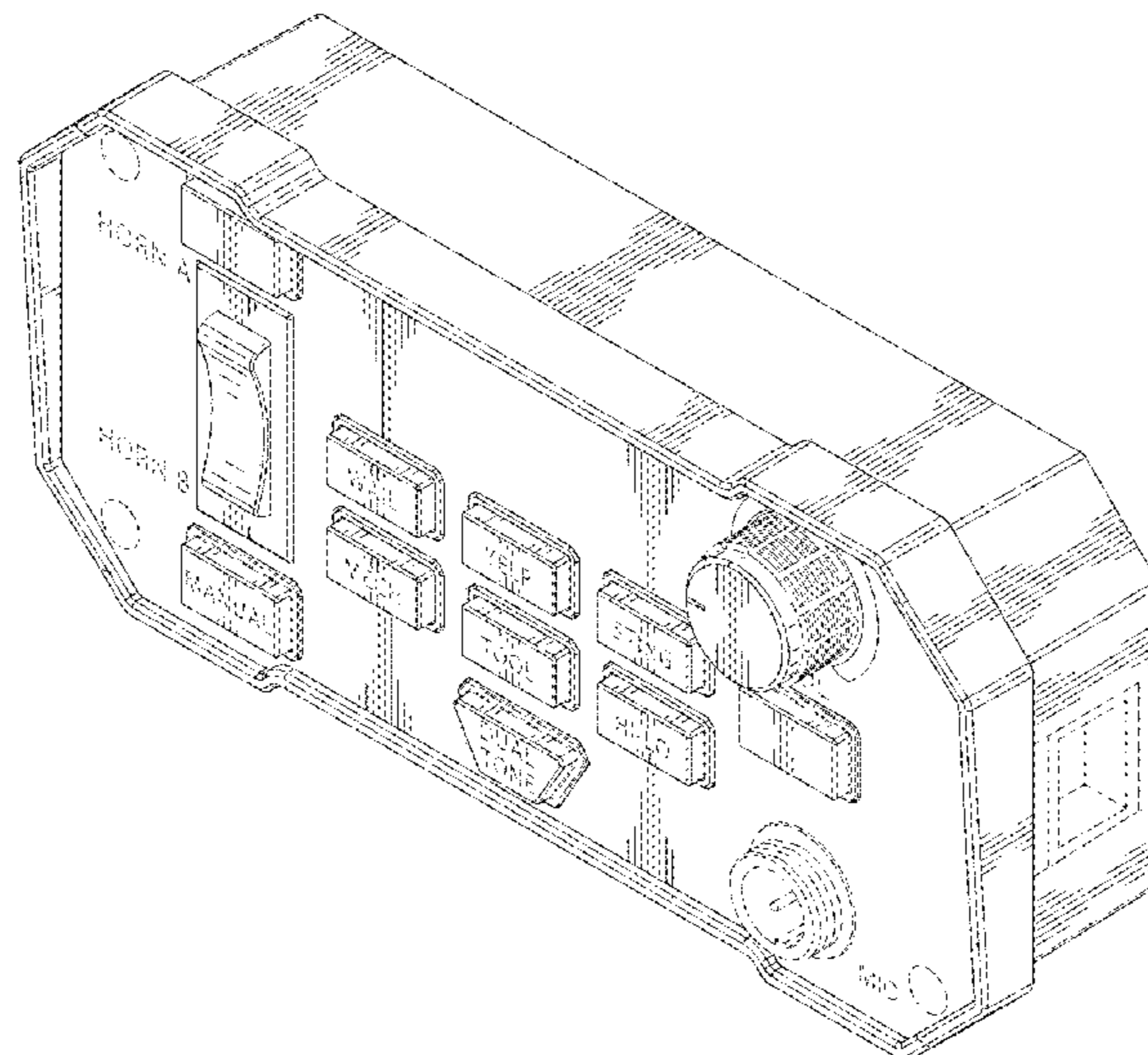
(57) **CLAIM**

The ornamental design for a controller, as shown and described.

DESCRIPTION

FIG. 1 is a front perspective view of a controller showing my new design;
FIG. 2 is a front view thereof;
FIG. 3 is a back view thereof;
FIG. 4 is a left side view thereof;
FIG. 5 is a right side view thereof;
FIG. 6 is a top view thereof; and,
FIG. 7 is a bottom view thereof.
The broken lines included illustrate portions of the controller that form no part of the claimed design.

1 Claim, 5 Drawing Sheets



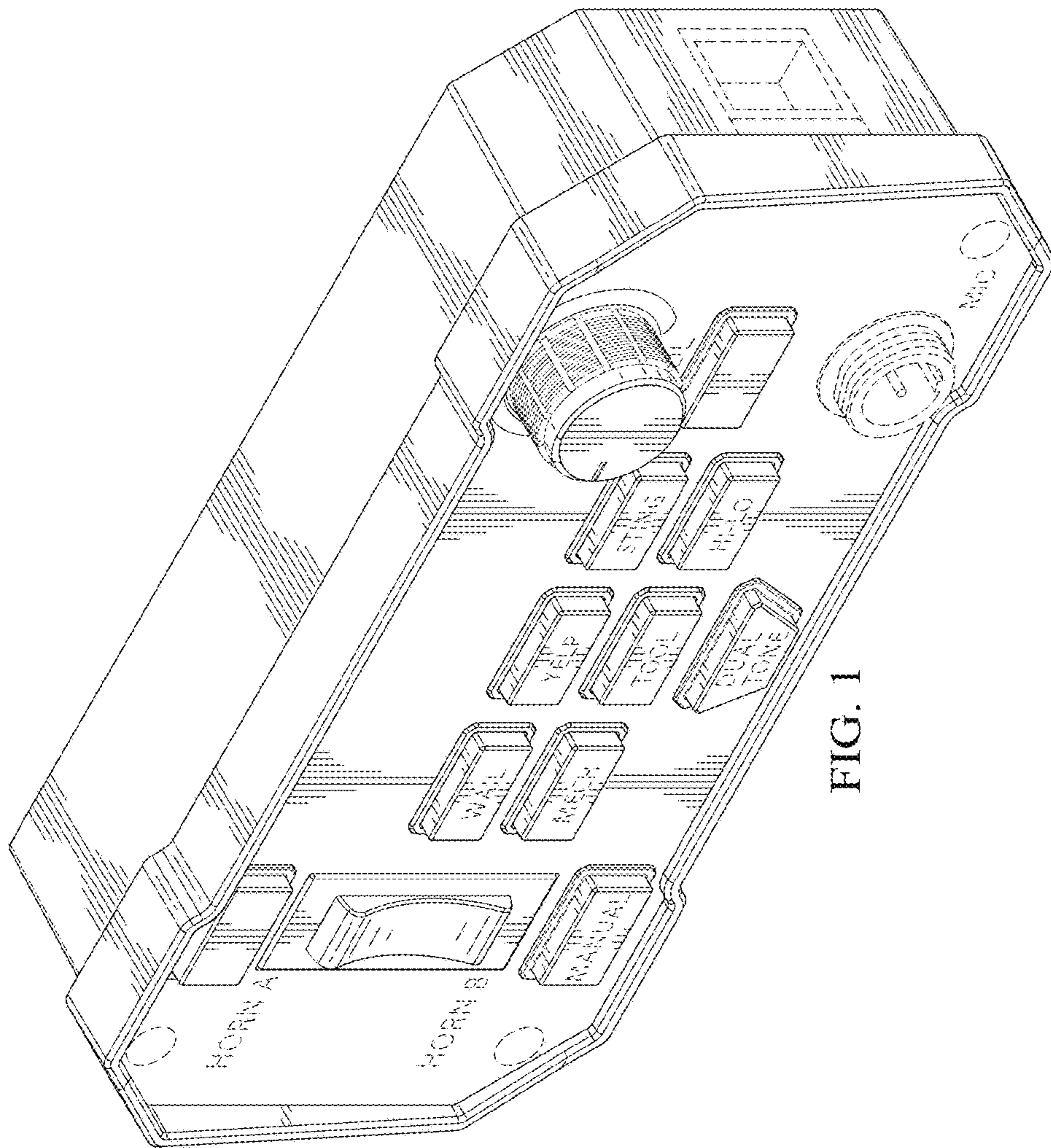


FIG. 1

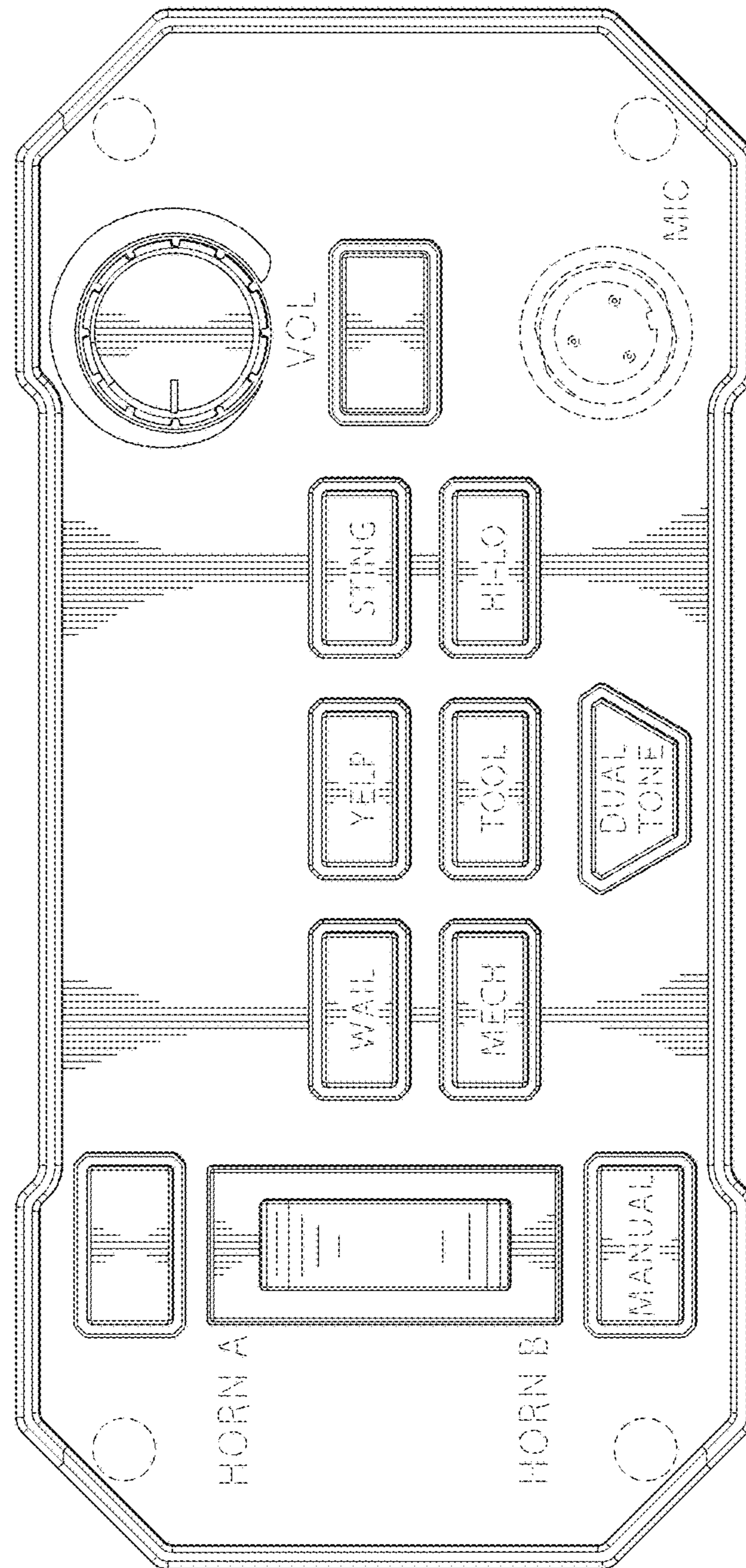


FIG. 2

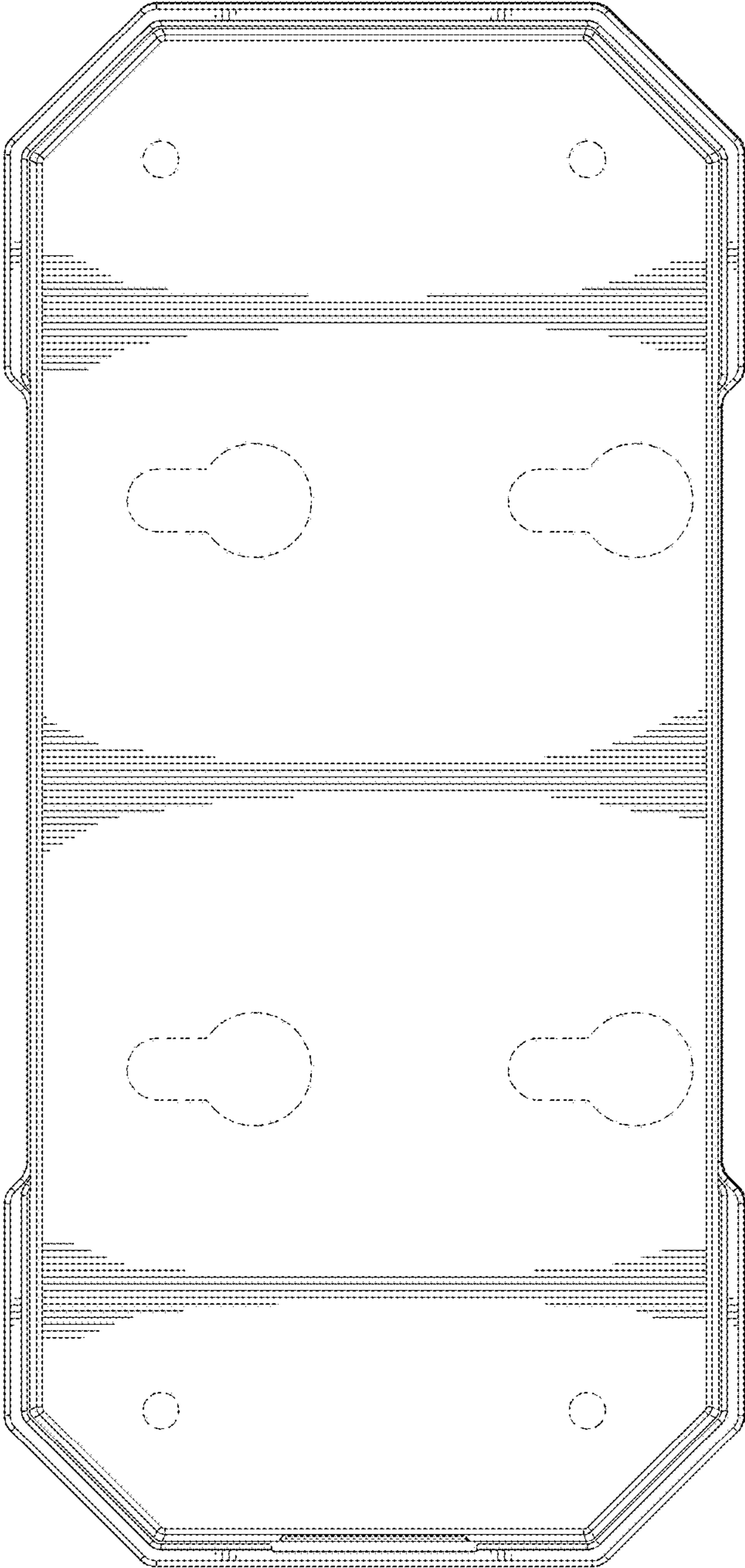


FIG. 3

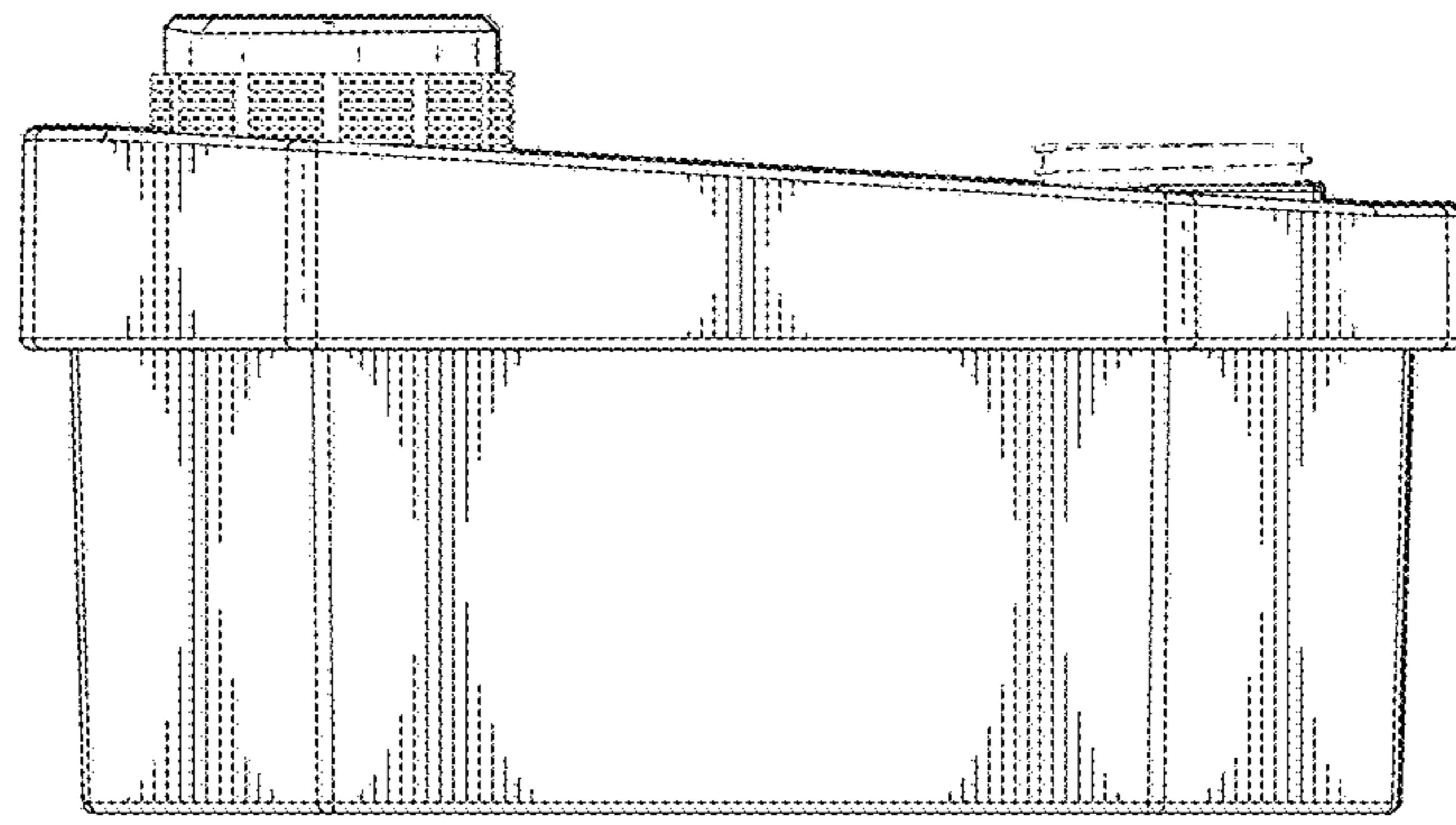


FIG. 5

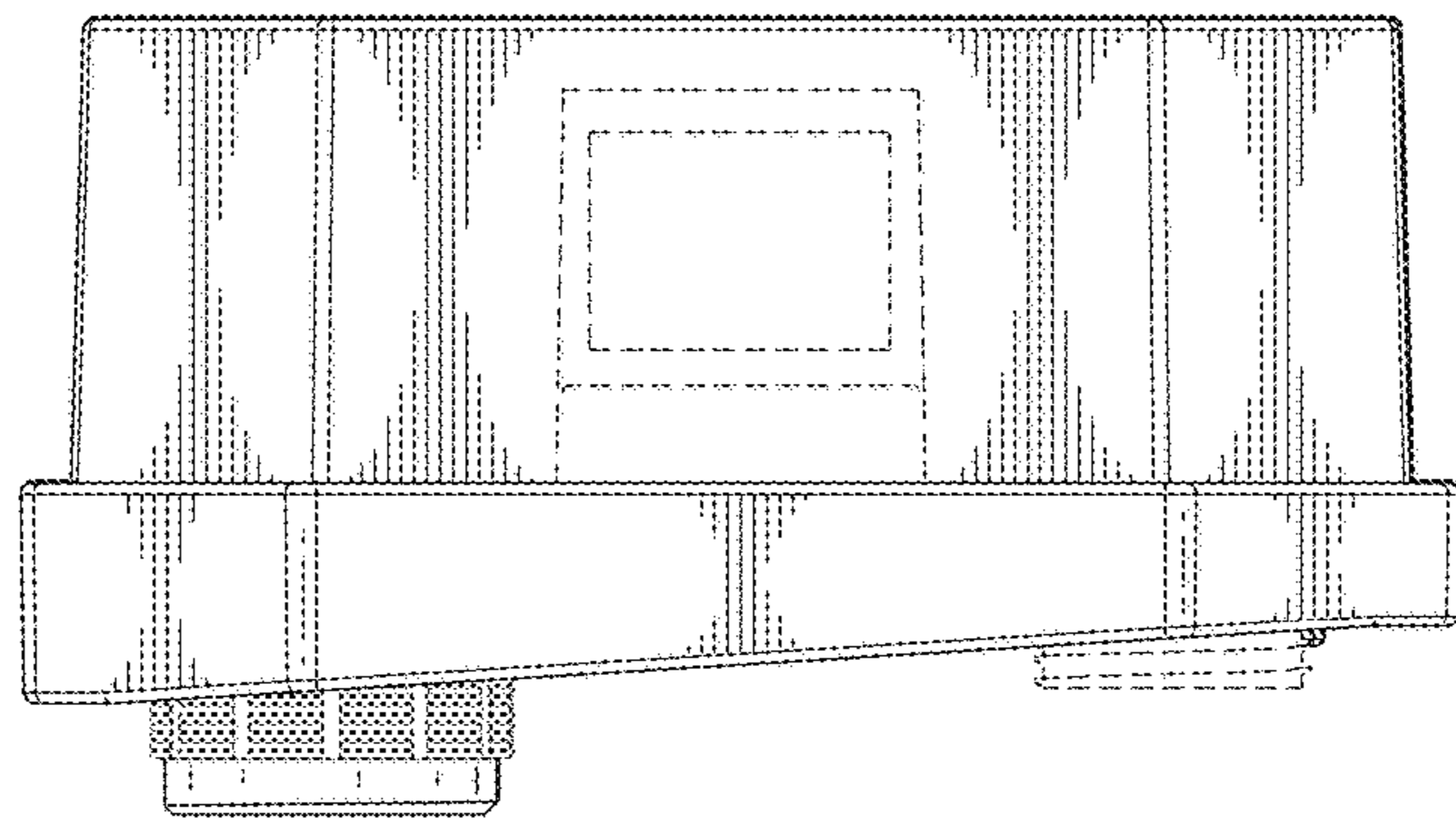


FIG. 4

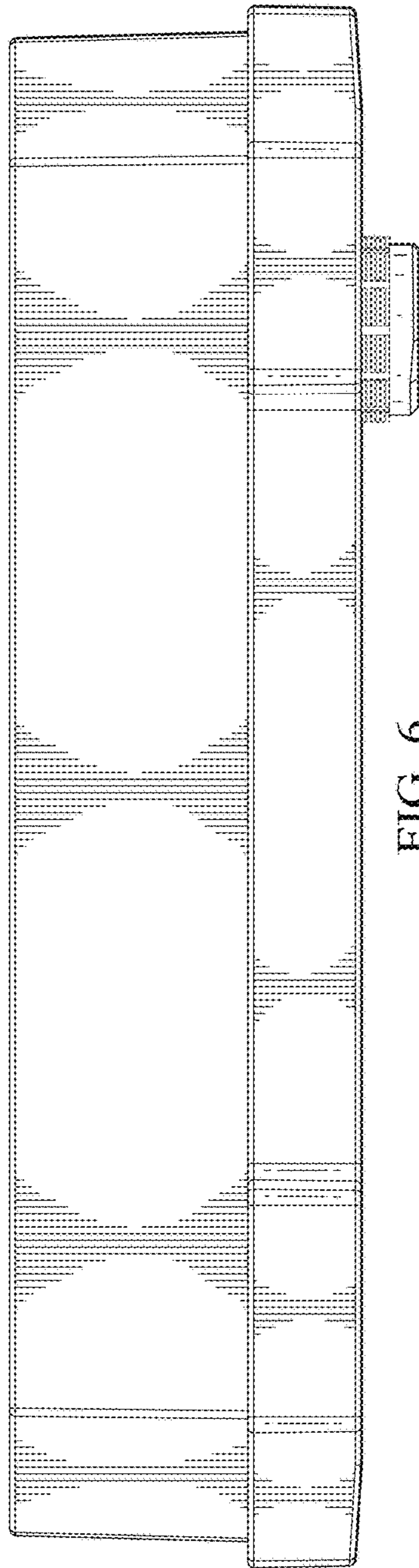


FIG. 6

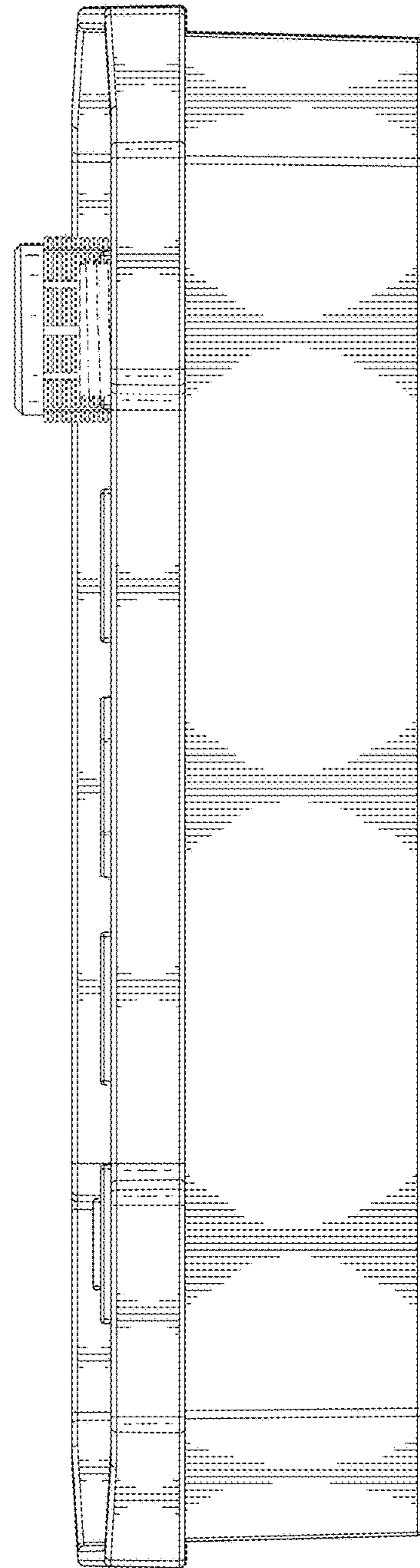


FIG. 7