



US00D868742S

(12) **United States Design Patent**
Cao

(10) **Patent No.:** **US D868,742 S**

(45) **Date of Patent:** **** Dec. 3, 2019**

- (54) **HEADPHONE ADAPTER**
- (71) Applicant: **Liquan Cao**, Dongguan (CN)
- (72) Inventor: **Liquan Cao**, Dongguan (CN)
- (73) Assignee: **Dongguan Leshi Electronic & Technology Co., Ltd**, Dongguan, Guangdong (CN)
- (**) Term: **15 Years**
- (21) Appl. No.: **29/650,464**
- (22) Filed: **Jun. 7, 2018**
- (51) **LOC (12) Cl.** **14-02**
- (52) **U.S. Cl.**
USPC **D14/217; D14/224.1**
- (58) **Field of Classification Search**
USPC ... D14/217, 224, 224.1, 223, 433, 434, 250, D14/251, 142, 148, 240, 242, 203.8, 256, D14/363, 480.1-480.7, 203.2, 447, 435.1; D3/218; D13/107, 108, 110, 133, 147; D24/185, 186; 379/449, 454, 466, 455; 320/113; 381/168, 381, 374; 439/357, 439/534, 638; 455/575.2
CPC H01R 25/00; H01R 13/60; H01R 24/64; H01R 24/62; H01R 12/714; H01R 13/506; G06F 1/16
See application file for complete search history.

- D359,280 S * 6/1995 Inaba D14/428
- 5,525,888 A * 6/1996 Toya H01M 2/1022
320/110
- 5,674,076 A * 10/1997 Billings G10H 1/32
381/345
- 5,686,810 A * 11/1997 Yasui H01M 10/46
320/107
- D396,860 S * 8/1998 Yasutomi D10/119.2
- 5,867,773 A * 2/1999 Mareno B60R 11/0241
379/439
- 5,875,094 A * 2/1999 Kirkendoll G06F 1/1632
361/679.44
- D411,166 S * 6/1999 Uemura D13/107
- D455,418 S * 4/2002 Schmidt D14/224
- D459,299 S * 6/2002 Hughes D13/108

(Continued)

OTHER PUBLICATIONS

Walmart 2 in 1 Type C to 3,5 mm and Charger Headphone Audio Jack USB C Cable Adapter, 2 pages, www.Walmart.com/ip/2-in-1 Type-C-to-3-5 mm-and-charger-Headphone-/. retrieved from Google search Jul. 9, 2019 (Year: 2019).*

Primary Examiner — Paula Allen Greene

(57) **CLAIM**

The ornamental design for a headphone adapter, as shown and described.

DESCRIPTION

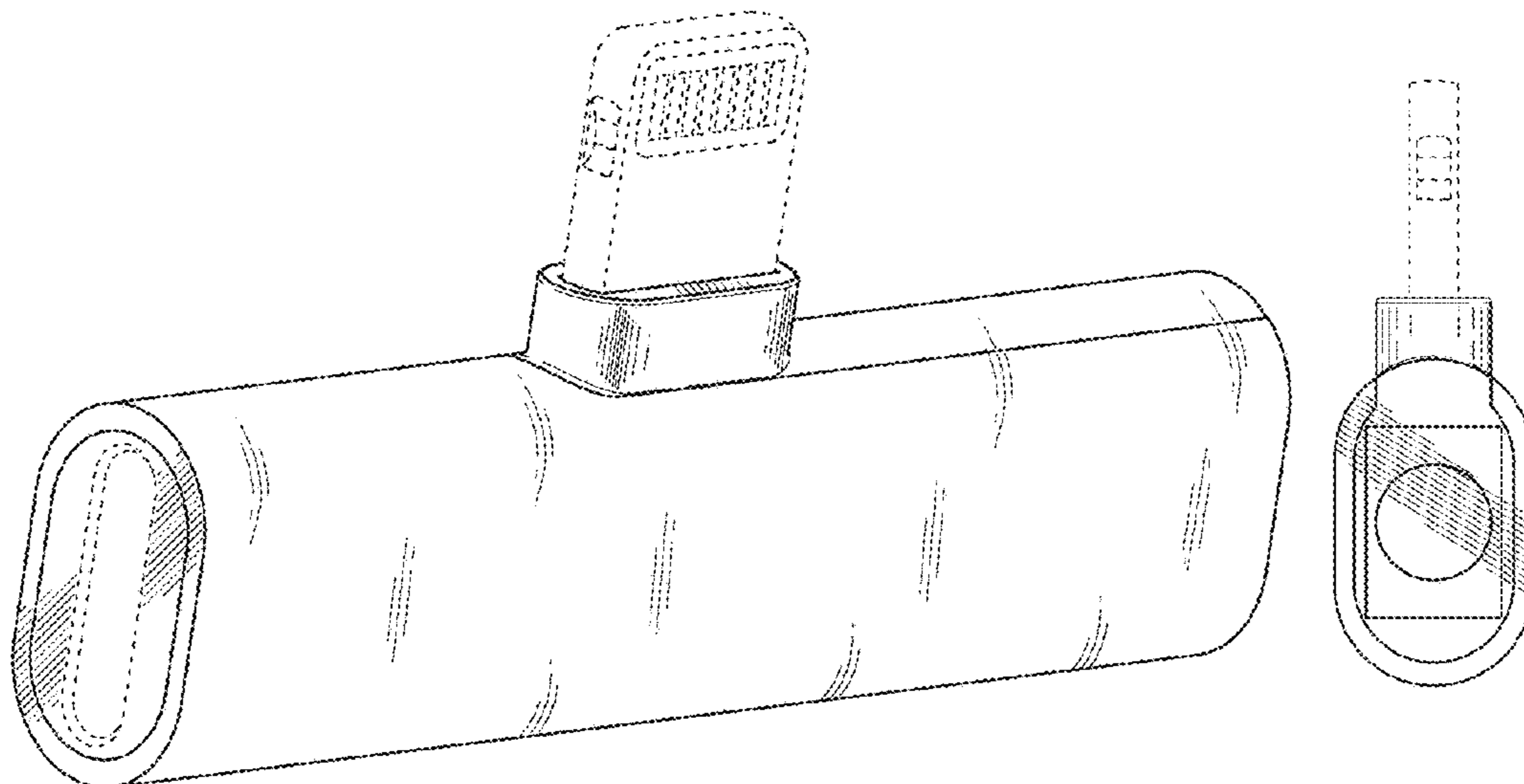
FIG. 1 is a perspective view of a headphone adapter showing my new design;
FIG. 2 is a front elevational view thereof;
FIG. 3 is a rear elevational view thereof;
FIG. 4 is a left side elevational view thereof;
FIG. 5 is a right side elevational view thereof;
FIG. 6 is a top plan view thereof; and,
FIG. 7 is a bottom plan view thereof.
The broken lines depict environment that forms no part of the claimed design.

1 Claim, 7 Drawing Sheets

(56) **References Cited**

U.S. PATENT DOCUMENTS

- 3,385,393 A * 5/1968 Gold H04R 5/023
181/141
- D237,893 S * 12/1975 Wennerstrom D14/137
- 4,649,570 A * 3/1987 Terbrack H04R 1/08
379/452
- D328,276 S * 7/1992 Koinuma D13/107
- 5,230,016 A * 7/1993 Yasuda H02J 7/0044
379/426



(56)

References Cited

U.S. PATENT DOCUMENTS

6,483,698 B1 * 11/2002 Loh G06F 1/1632
 320/113
 D474,737 S * 5/2003 Yoshida D13/108
 D477,823 S * 7/2003 Lavello, Sr. D14/149
 6,711,005 B2 * 3/2004 Martin F21L 4/005
 361/679.3
 D495,336 S * 8/2004 Andre D14/434
 6,793,520 B1 * 9/2004 Wu H01R 13/5808
 439/459
 D508,458 S * 8/2005 Solland D13/108
 D518,033 S * 3/2006 Lee D14/224
 D519,491 S * 4/2006 Allen D14/212
 D524,807 S * 7/2006 Topinka D14/253
 D525,616 S * 7/2006 Andre D13/108
 D532,005 S * 11/2006 Leith D14/253
 7,145,603 B2 * 12/2006 Whitby H04N 1/00204
 348/375
 D535,972 S * 1/2007 Griffin D14/155
 D540,816 S * 4/2007 Kim D14/224
 D545,809 S * 7/2007 Griffin D14/155
 D554,107 S * 10/2007 Calco D14/217
 D555,636 S * 11/2007 Chen D14/216
 D569,848 S * 5/2008 Suzuki D14/188
 D571,359 S * 6/2008 Chang D14/216
 7,396,246 B2 * 7/2008 Okada H01R 13/639
 439/248
 D574,365 S * 8/2008 Andre D14/217
 D577,008 S * 9/2008 Andre D13/133
 D583,356 S * 12/2008 Schul D14/168
 D587,266 S * 2/2009 Deguchi D14/480.7
 7,488,215 B2 * 2/2009 Mayette H01R 13/6315
 439/171
 D588,578 S * 3/2009 Donovan D14/217
 D588,739 S * 3/2009 Janssen D26/76
 7,513,801 B2 * 4/2009 Cheng H01R 31/06
 439/638
 7,689,197 B2 * 3/2010 Laude G11B 17/0405
 181/198
 7,719,830 B2 * 5/2010 Howarth G06F 1/1632
 312/223.2
 D631,869 S * 2/2011 Yamamoto D14/217
 D633,503 S * 3/2011 Bo D14/434
 D641,023 S * 7/2011 Chen D13/147
 D662,491 S * 6/2012 Andre D13/108
 D678,263 S * 3/2013 Chahine D14/251

8,535,102 B1 * 9/2013 Colahan H01R 31/06
 439/5
 D702,246 S * 4/2014 Hoffart D14/480.1
 8,688,876 B1 * 4/2014 Fritchman G06F 1/1632
 710/69
 D712,830 S * 9/2014 Zhou D13/110
 D713,350 S * 9/2014 Akana D13/147
 9,160,124 B2 * 10/2015 Colahan H01R 31/06
 D749,510 S * 2/2016 Liu D13/108
 D755,720 S * 5/2016 Dobler D13/133
 D755,724 S * 5/2016 Akana D13/147
 D763,185 S * 8/2016 Wen D13/103
 D770,456 S * 11/2016 Akana D14/433
 D774,514 S * 12/2016 Turksu D14/480.5
 D783,535 S * 4/2017 Dobler D13/133
 D788,041 S * 5/2017 Akana D13/147
 D796,514 S * 9/2017 Xu D14/433
 D797,043 S * 9/2017 Akana D13/103
 D801,310 S * 10/2017 Kachwalla D14/216
 D801,975 S * 11/2017 Qin D14/435.1
 D813,803 S * 3/2018 Massar D13/108
 D813,874 S * 3/2018 Magi D14/434
 D828,363 S * 9/2018 Turksu D14/480.5
 D841,652 S * 2/2019 Akana D14/433
 2002/0137382 A1 * 9/2002 Shirakura H01R 31/06
 439/218
 2002/0170972 A1 * 11/2002 Kim G06K 19/07743
 235/487
 2003/0008566 A1 * 1/2003 Kato H01R 27/02
 439/638
 2003/0011702 A1 * 1/2003 Ohmura G11B 27/105
 348/372
 2004/0086112 A1 * 5/2004 Hilger B60R 11/0241
 379/455
 2005/0202727 A1 * 9/2005 Andre H01R 12/7088
 439/660
 2006/0250764 A1 * 11/2006 Howarth G06F 1/1632
 361/679.41
 2007/0047198 A1 * 3/2007 Crooijmans G06F 1/1632
 361/679.41
 2007/0293079 A1 * 12/2007 Chao H01R 13/6275
 439/352
 2010/0081337 A1 * 4/2010 Dorogusker H01R 31/005
 439/660
 2010/0171465 A1 * 7/2010 Seal G03G 15/5004
 320/114
 2010/0281209 A1 * 11/2010 Ni G06K 19/07732
 711/103

* cited by examiner

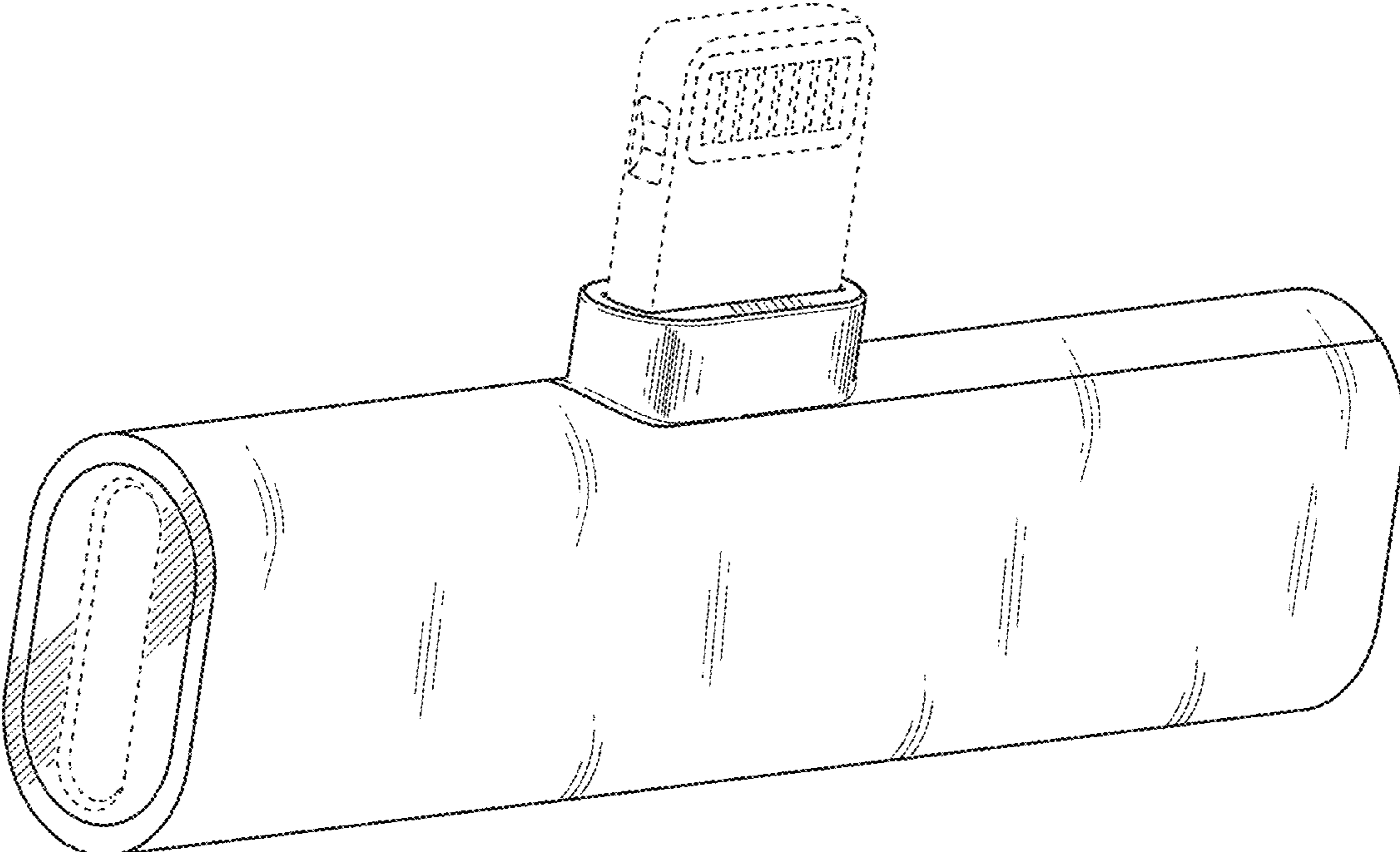


FIG.1

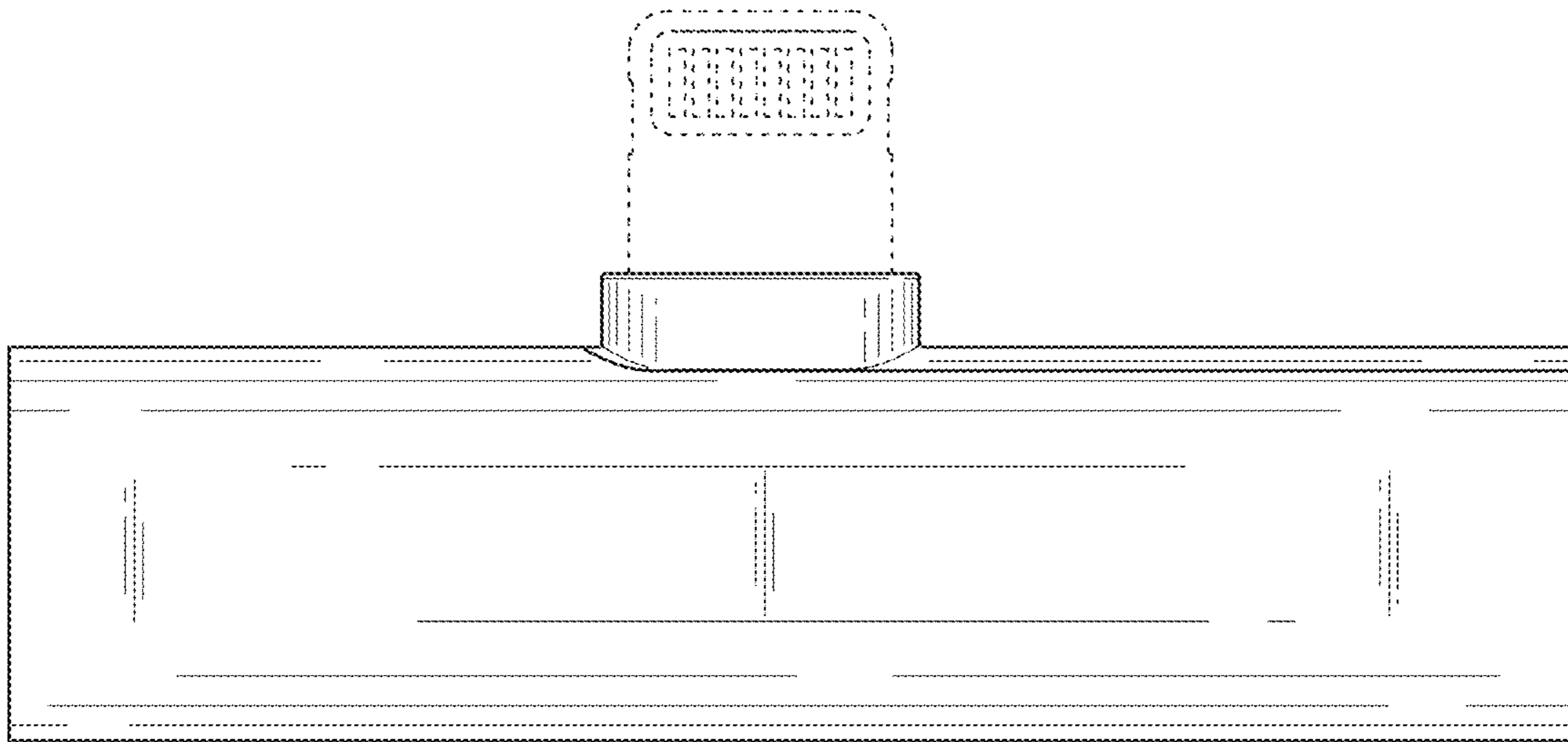


FIG.2

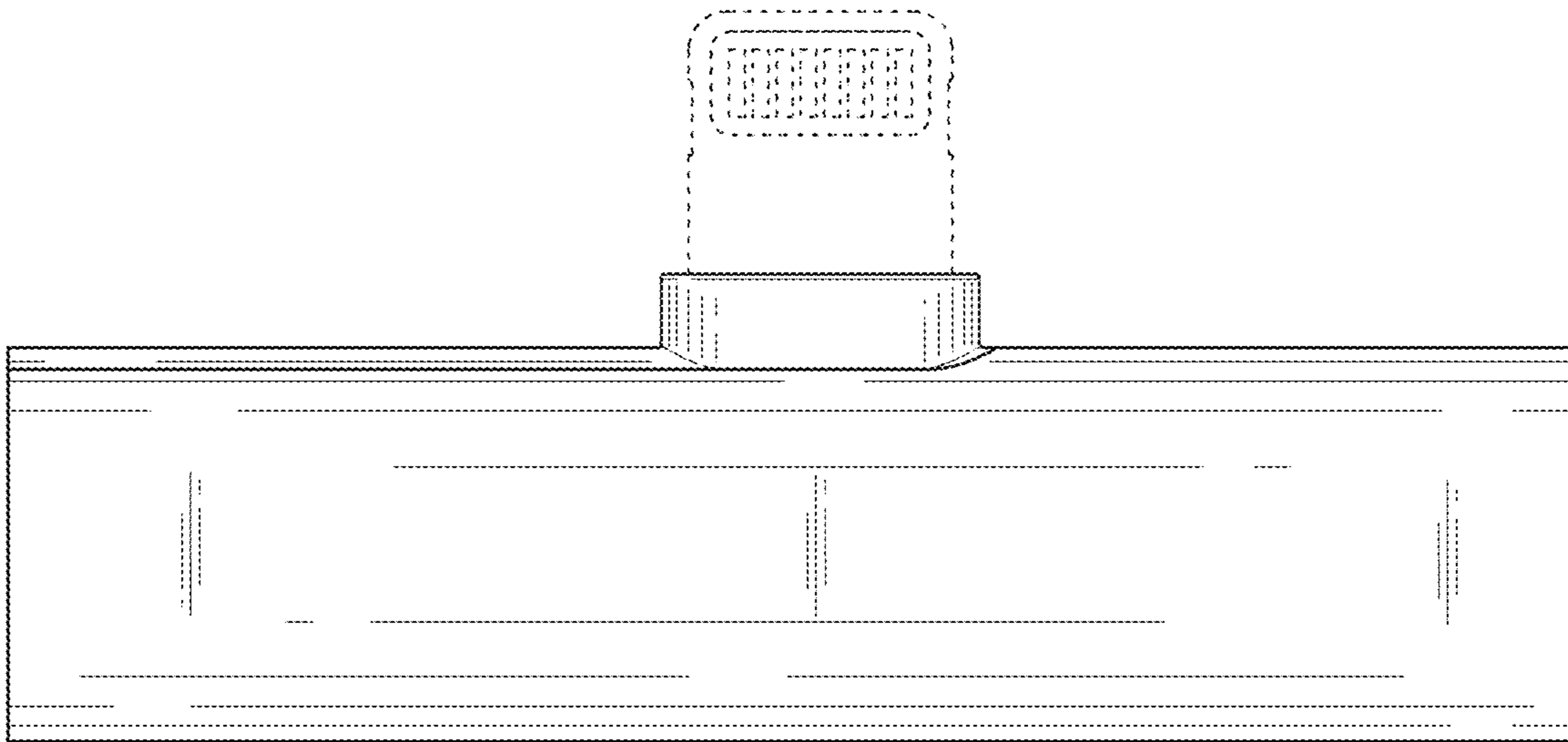


FIG.3

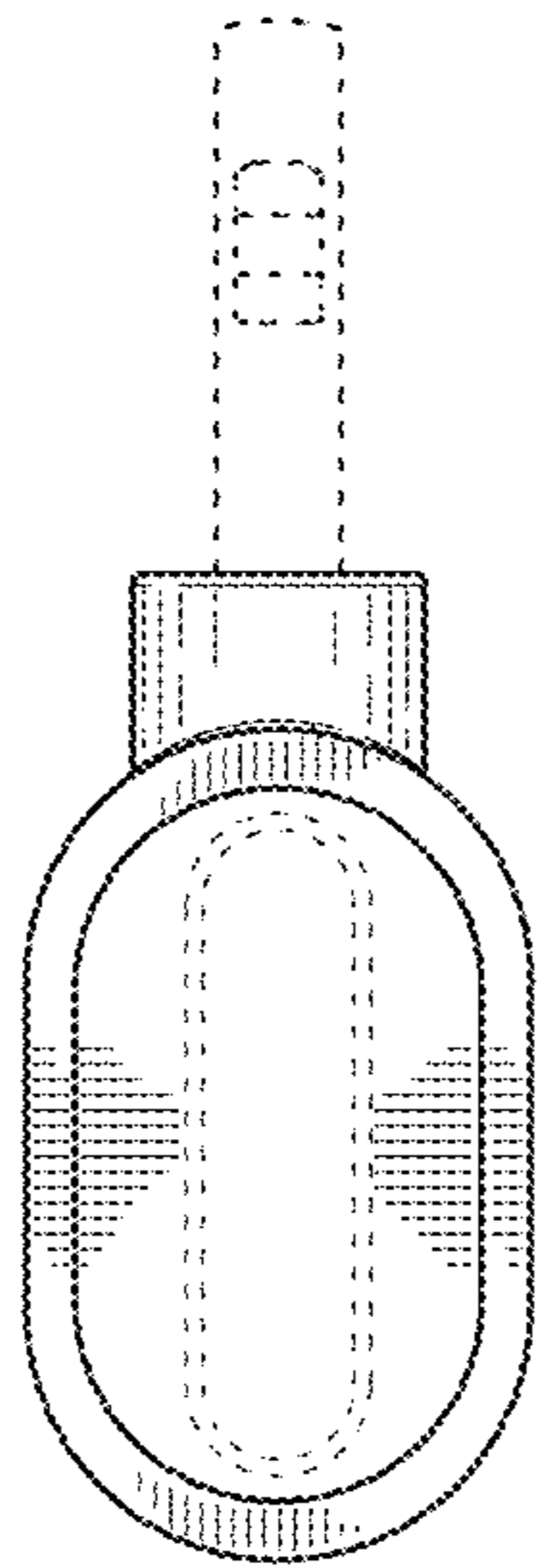


FIG.4

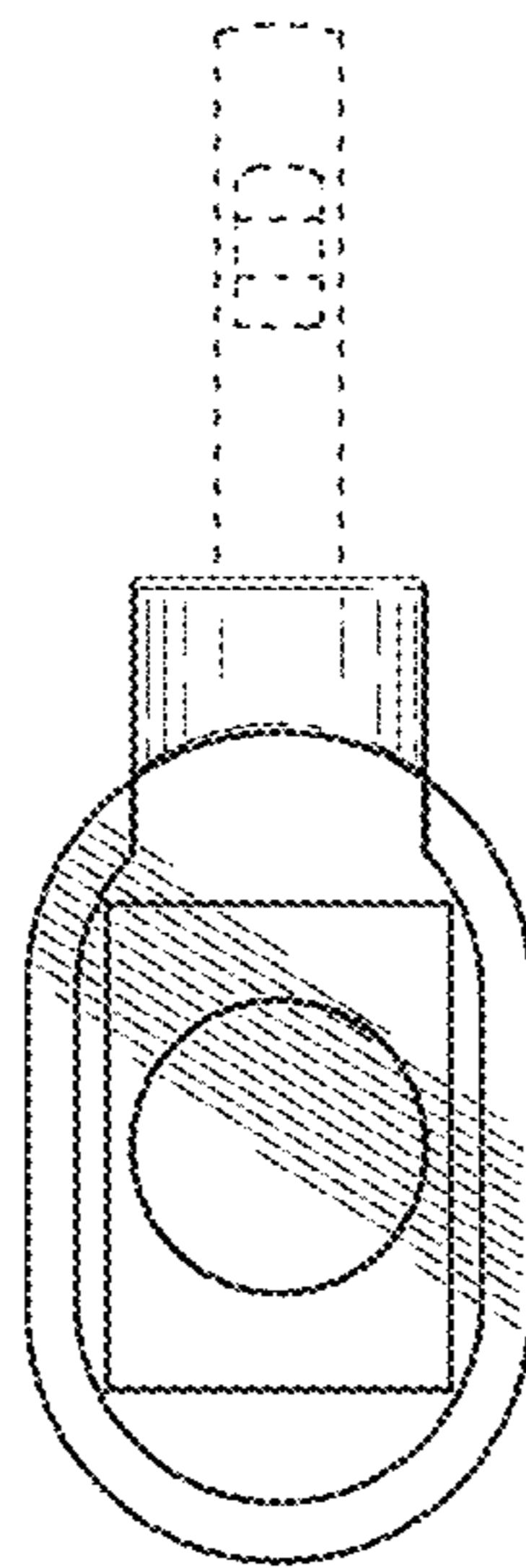


FIG.5

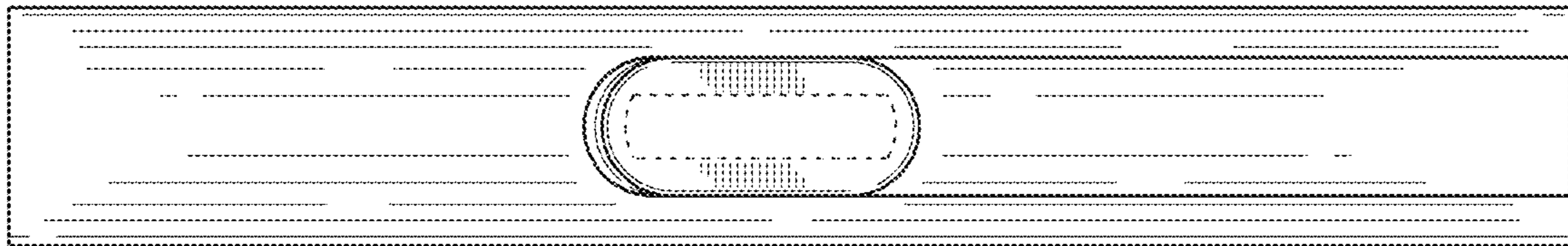


FIG. 6

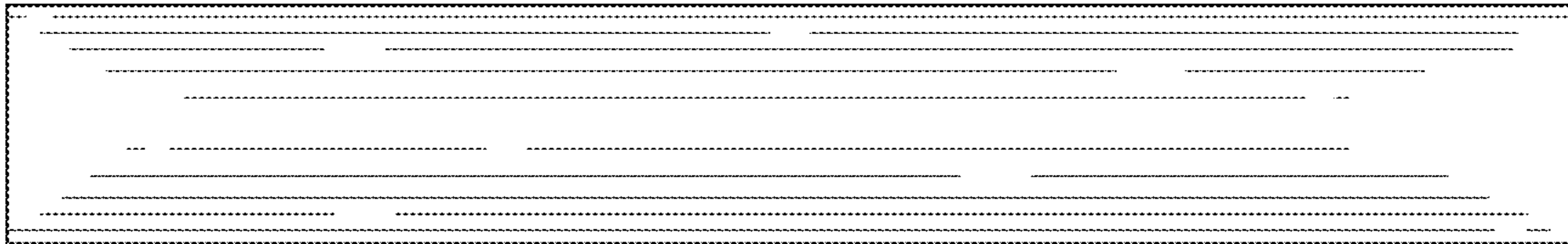


FIG.7