



US00D868741S

(12) **United States Design Patent** (10) **Patent No.:** **US D868,741 S**  
**Barber** (45) **Date of Patent:** **\*\* Dec. 3, 2019**

(54) **HEADSET ACCESSORY ATTACHMENT**

H04R 25/75; H04R 29/005; H04R 29/007; H04R 31/003; H04R 3/00; H04R 3/12; H04R 5/027; H04R 5/0335

(71) Applicant: **Gentex Corporation**, Simpson, PA (US)

See application file for complete search history.

(72) Inventor: **Ross Barber**, Auburn, NH (US)

(56) **References Cited**

(73) Assignee: **Gentex Corporation**, Simpson, PA (US)

U.S. PATENT DOCUMENTS

(\*\*) Term: **15 Years**

D261,511 S *	10/1981	Hass	.....	D14/192
D268,675 S *	4/1983	Hass	.....	D14/192
D273,009 S *	3/1984	Isaacs	.....	D11/2
D310,523 S *	9/1990	Hino	.....	D14/137
D310,907 S *	10/1990	Mark	.....	D14/192
D327,268 S *	6/1992	Anstin	.....	D14/192
D397,838 S *	9/1998	Waggoner	.....	D14/192
D484,485 S *	12/2003	Matsuoka	.....	D14/205

(21) Appl. No.: **29/648,183**

(22) Filed: **May 18, 2018**

(51) **LOC (12) Cl.** ..... **14-03**

(52) **U.S. Cl.**  
USPC ..... **D14/217**

(58) **Field of Classification Search**  
USPC ..... D14/177, 192, 205, 206, 217, 223, 168  
CPC .. H04R 1/1083; H04R 1/1008; H04R 1/1016;  
H04R 1/1041; H04R 1/105; H04R 1/1091; H04R 2460/01; H04R 2499/15;  
H04R 3/04; H04R 5/033; H04R 1/02; H04R 1/1066; H04R 2201/107; H04R 2225/41; H04R 2227/005; H04R 2420/07; H04R 2430/01; H04R 2460/13; H04R 2499/11; H04R 29/001; H04R 3/005; H04R 5/04; H04R 17/02; H04R 19/005; H04R 19/04; H04R 1/023; H04R 1/025; H04R 1/028; H04R 1/10; H04R 1/1025; H04R 1/1033; H04R 1/1058; H04R 1/1075; H04R 1/22; H04R 1/2826; H04R 1/2846; H04R 1/2849; H04R 1/403; H04R 1/406; H04R 2201/003; H04R 2201/028; H04R 2201/403; H04R 2203/12; H04R 2205/024; H04R 2205/041; H04R 2225/39; H04R 2225/43; H04R 2225/55; H04R 2227/003; H04R 2400/01; H04R 2410/05; H04R 2420/01; H04R 2420/05; H04R 2420/09; H04R 2460/07; H04R 2499/13; H04R 25/305; H04R 25/505; H04R 25/55; H04R 25/70;

(Continued)

*Primary Examiner* — Khawaja Anwar

(74) *Attorney, Agent, or Firm* — Morgan, Lewis & Bockius LLP

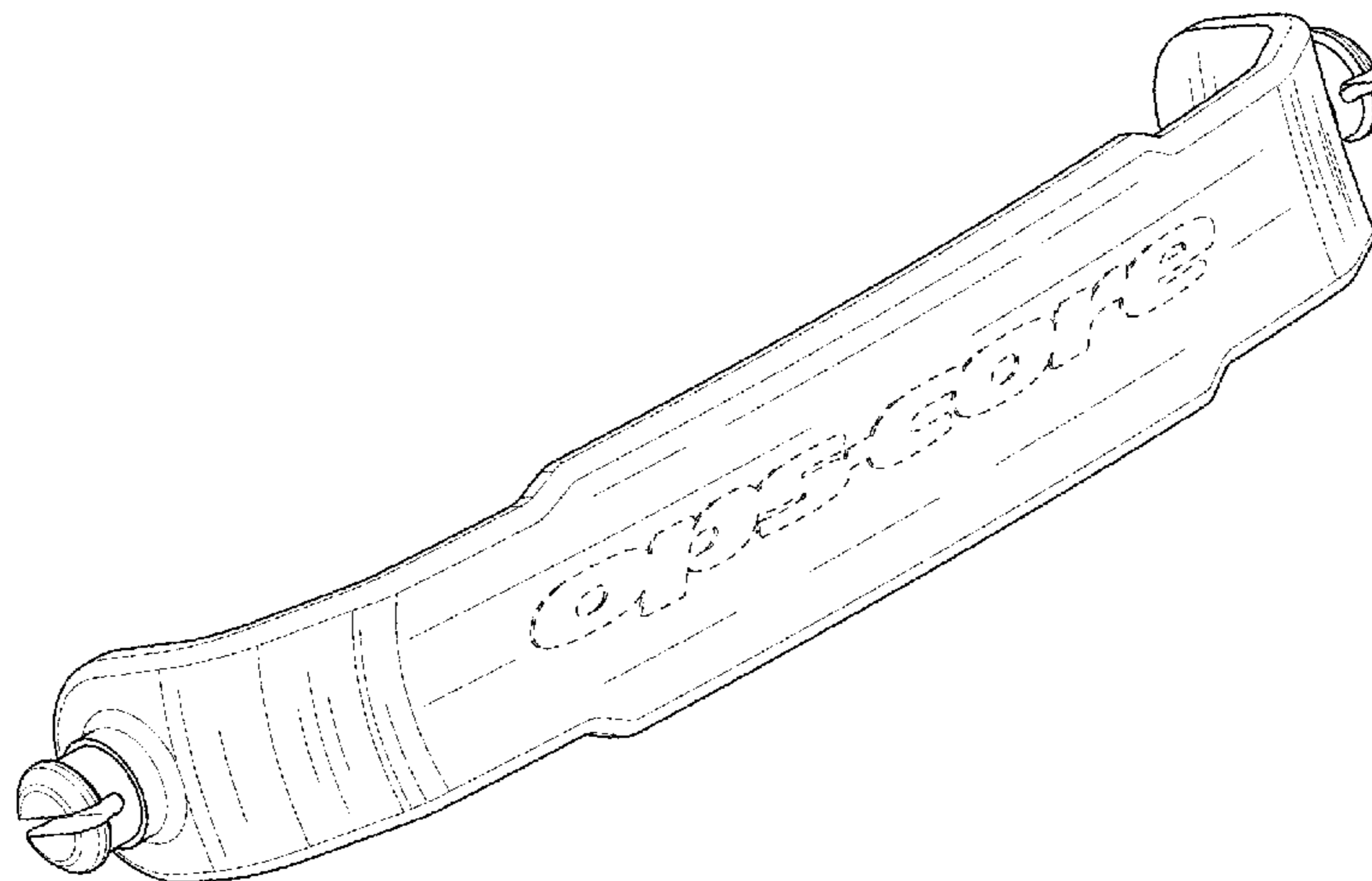
(57) **CLAIM**

The ornamental design for a headset accessory attachment, as shown and described.

**DESCRIPTION**

FIG. 1 is a front perspective view of a headset accessory attachment showing my new design; FIG. 2 is a rear perspective view thereof; FIG. 3 is a front elevational view thereof; FIG. 4 is a rear elevational view thereof; FIG. 5 is a left-side elevational view thereof; FIG. 6 is a right-side elevational view thereof; FIG. 7 is a top plan view thereof; and, FIG. 8 is a bottom plan view thereof. The broken lines immediately adjacent the shaded areas represent the bounds of the claimed design while all other broken lines are directed to environment and are for illustrative purposes only; the broken lines form no part of the claimed design.

**1 Claim, 8 Drawing Sheets**



(56)

**References Cited**

U.S. PATENT DOCUMENTS

D484,868	S	*	1/2004	Suzuki	.....	D14/205
D501,844	S	*	2/2005	Hirano	.....	D14/192
D502,167	S	*	2/2005	Hirano	.....	D14/192
D736,177	S		8/2015	Rogers et al.		
D757,683	S	*	5/2016	Glezerman	.....	D14/206
D826,896	S	*	8/2018	Huang	.....	D14/205
D831,609	S	*	10/2018	Huang	.....	D14/205
2016/0324248	A1		11/2016	Winters et al.		

\* cited by examiner

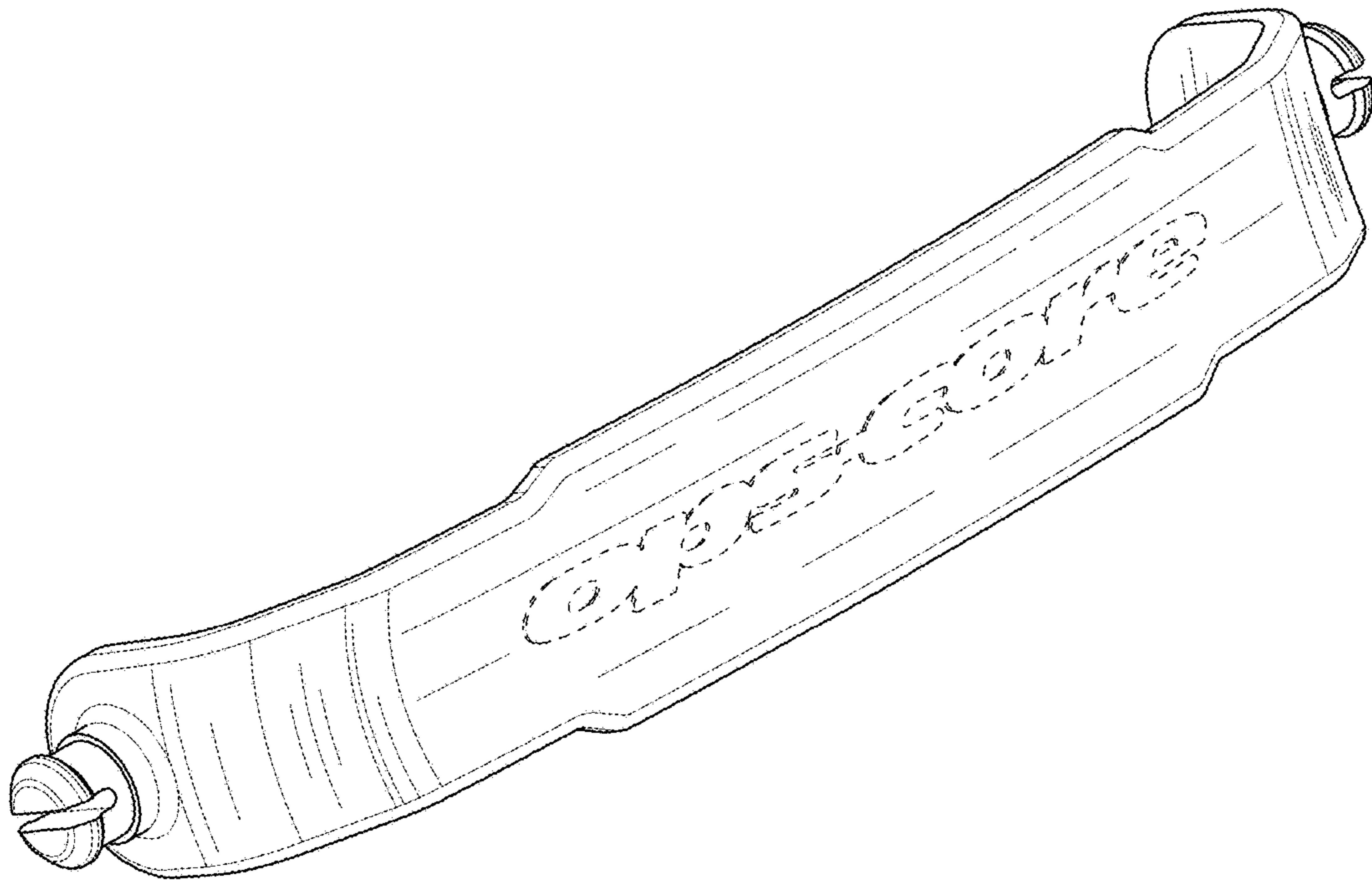


FIG. 1

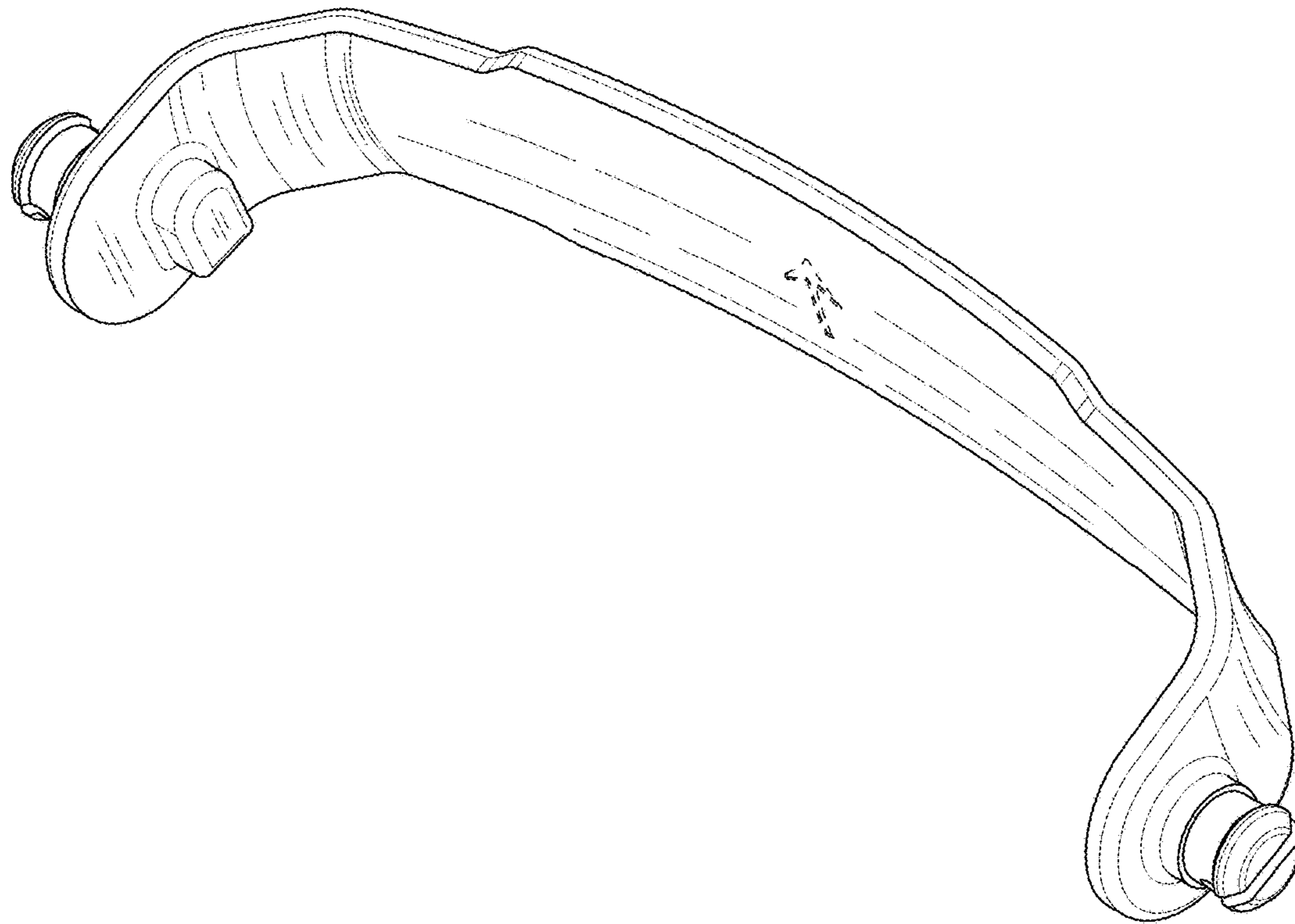


FIG. 2

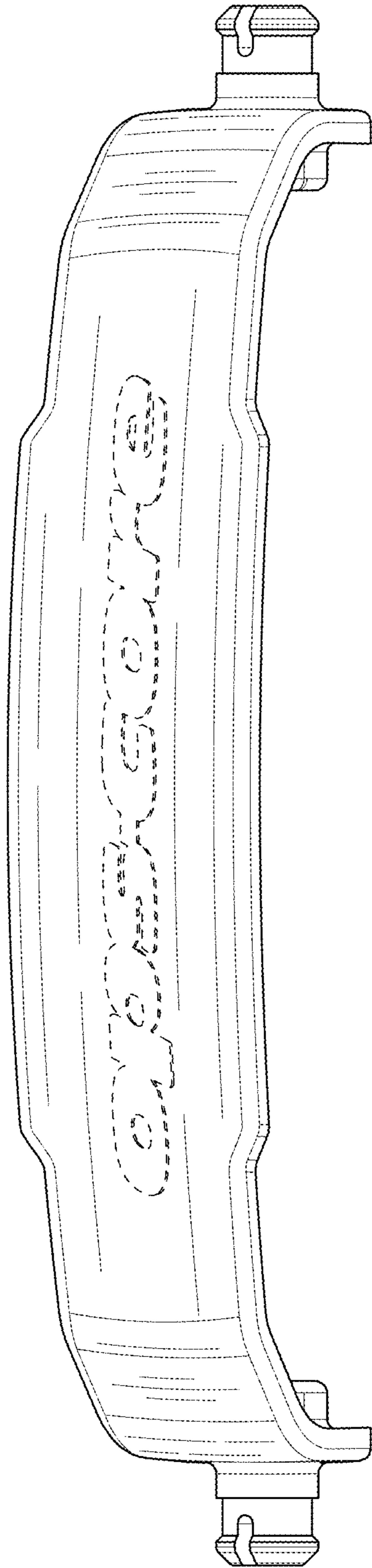


FIG. 3

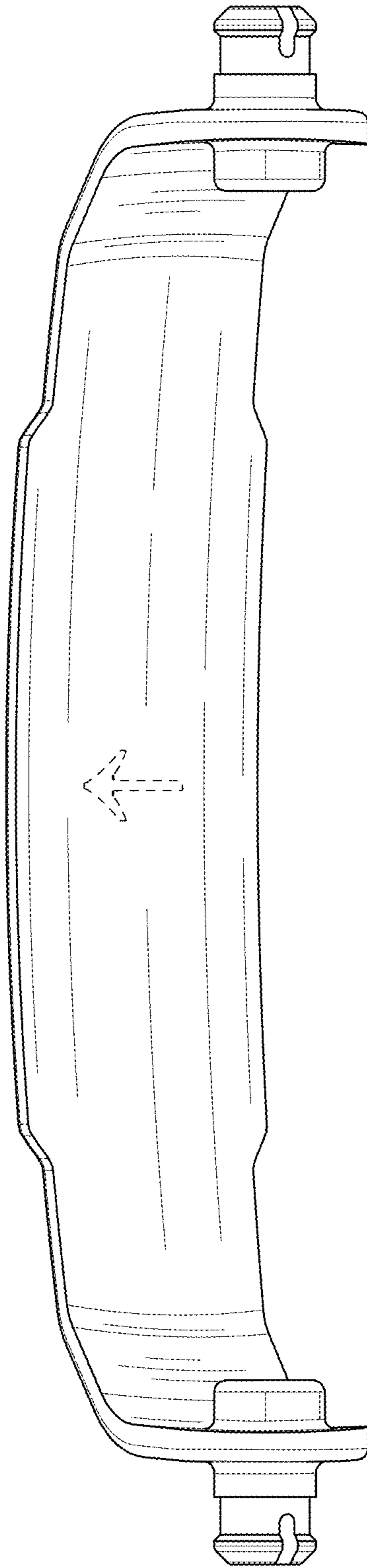


FIG. 4

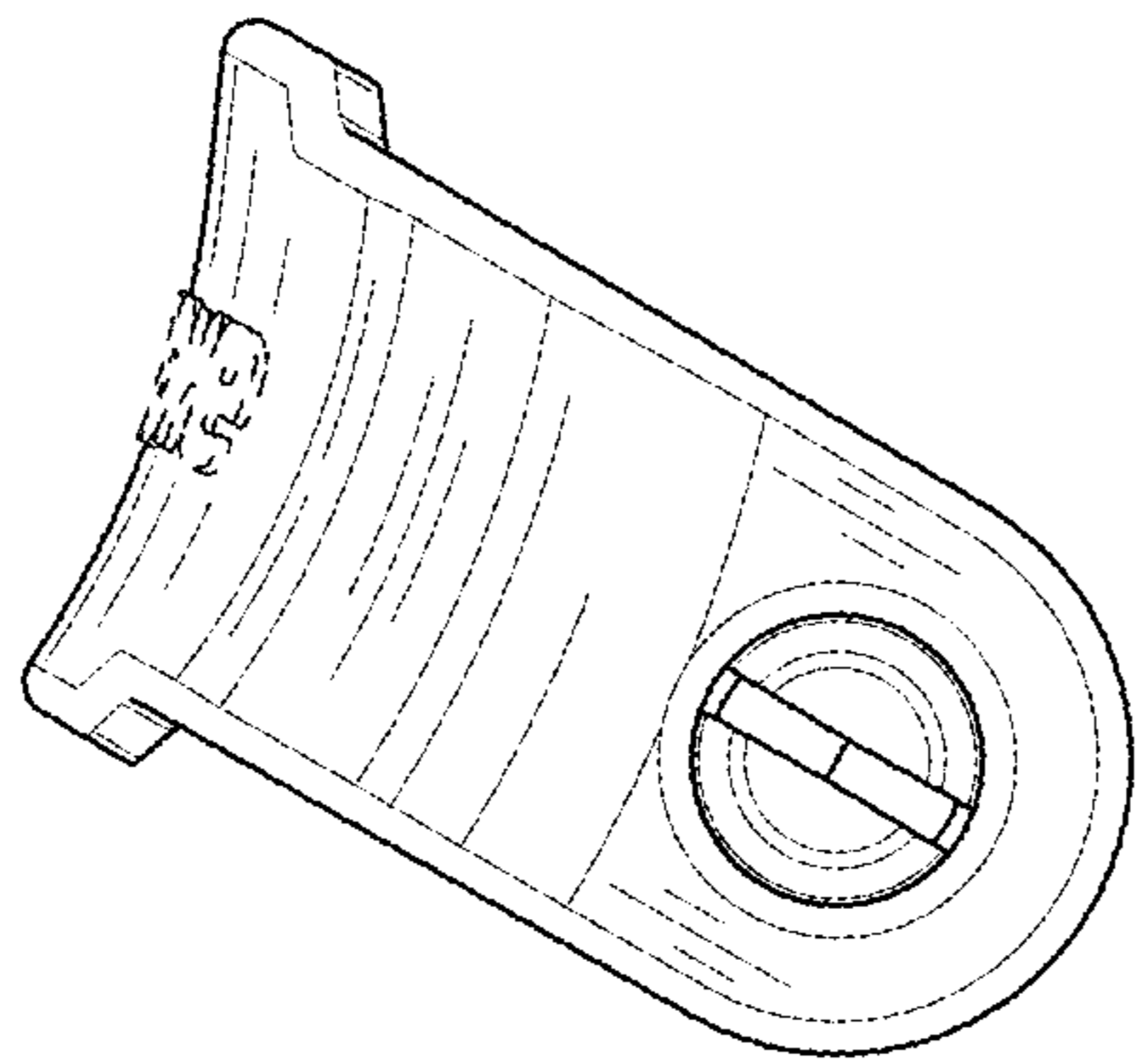


FIG. 5

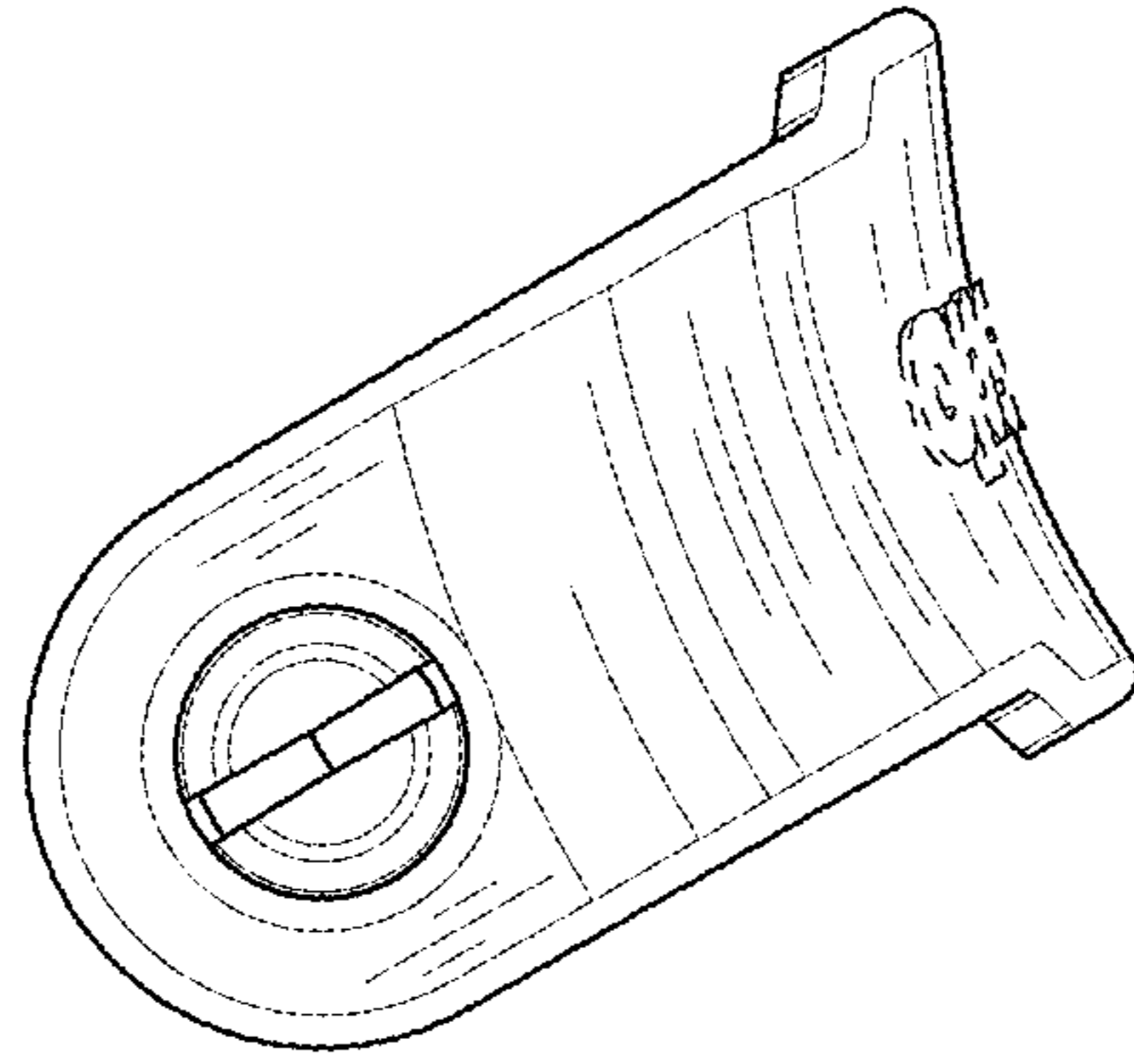


FIG. 6



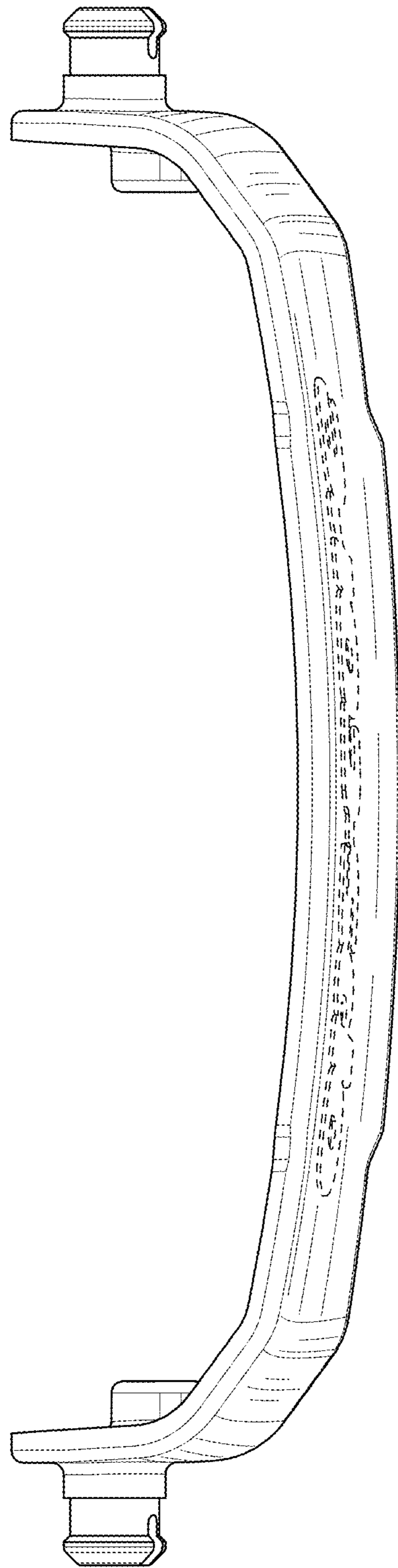


FIG. 7

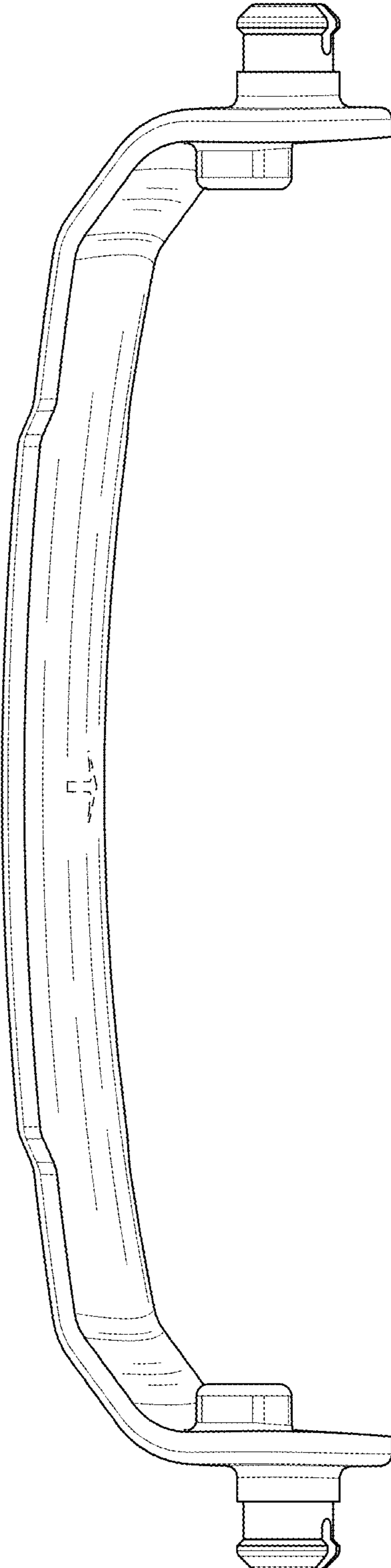


FIG. 8