



US00D868740S

(12) **United States Design Patent**  
**Kang et al.**

(10) **Patent No.:** **US D868,740 S**  
(45) **Date of Patent:** **\*\* Dec. 3, 2019**

(54) **SPEAKER SET**

(71) Applicant: **SAMSUNG ELECTRONICS CO., LTD.**, Suwon-si, Gyeonggi-do (KR)

(72) Inventors: **Byungwook Kang**, Seoul (KR); **Sungil Bang**, Seoul (KR); **Gyoosang Choi**, Suwon-si (KR)

(73) Assignee: **SAMSUNG ELECTRONICS CO., LTD.**, Gyeonggi-Do (KR)

(\*\*) Term: **15 Years**

(21) Appl. No.: **29/637,986**

(22) Filed: **Feb. 23, 2018**

(30) **Foreign Application Priority Data**

Aug. 25, 2017 (KR) ..... 30-2017-0039767

(51) **LOC (12) Cl.** ..... **14-01**

(52) **U.S. Cl.**  
USPC ..... **D14/216**

(58) **Field of Classification Search**  
USPC .... D14/125, 137, 140–140.9, 155, 159, 167, D14/168, 172, 188, 194, 203.1, 204,  
(Continued)

(56) **References Cited**

**U.S. PATENT DOCUMENTS**

D311,539 S \* 10/1990 Franzini ..... D14/216  
D364,165 S \* 11/1995 Esslinger ..... D14/213  
(Continued)

**FOREIGN PATENT DOCUMENTS**

CN 205717127 \* 11/2016 ..... F21V 17/10  
KR 20040000196 \* 1/2004  
(Continued)

**OTHER PUBLICATIONS**

Samsung introduces its own high-end cylindrical desktop computer, Arstechnica.com, Andrew Cunningham—Oct. 10, 2016, 4:03 PM,

[online], [site visited Jun. 27, 2019]. URL: <https://arstechnica.com/gadgets/2016/10/samsung-introduces-its-own-high-end-cylindrical-desktop-computer/> (Year: 2016).\*

(Continued)

*Primary Examiner* — T Chase Nelson

*Assistant Examiner* — Jonathan J. Han

(74) *Attorney, Agent, or Firm* — Cantor Colburn LLP

(57) **CLAIM**

The ornamental design for a speaker set, as shown and described.

**DESCRIPTION**

FIG. 1 is a perspective view of a speaker set in a configuration, in which speakers of the speaker set are combined with each other, showing our new design;

FIG. 2 is a front view thereof;

FIG. 3 is a rear view thereof;

FIG. 4 is a left side view thereof;

FIG. 5 is a right side view thereof;

FIG. 6 is a top view thereof;

FIG. 7 is a bottom view thereof;

FIG. 8 is a bottom perspective view thereof;

FIG. 9 is a perspective view of the speaker set in an alternate configuration, in which the speakers of the speaker set are separated from each other and arranged side by side;

FIG. 10 is a front view thereof;

FIG. 11 is a rear view thereof;

FIG. 12 is a left side view thereof;

FIG. 13 is a right side view thereof;

FIG. 14 is a top view thereof;

FIG. 15 is a bottom view thereof;

FIG. 16 is a bottom perspective view thereof;

FIG. 17 is a perspective view of one speaker of the speaker set, shown separately for clarity of illustration;

FIG. 18 is a front view thereof;

FIG. 19 is a rear view thereof;

FIG. 20 is a left side view thereof;

FIG. 21 is a right side view thereof;

FIG. 22 is a top view thereof;

FIG. 23 is a bottom view thereof;

(Continued)

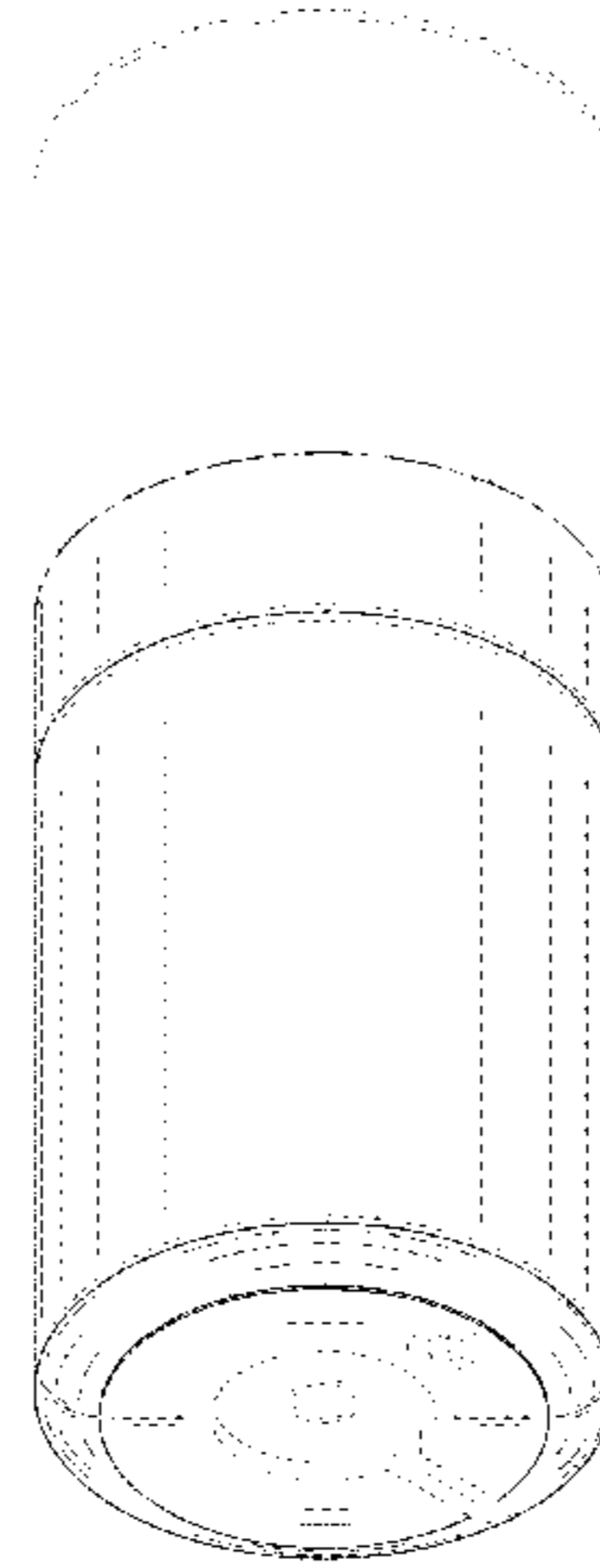
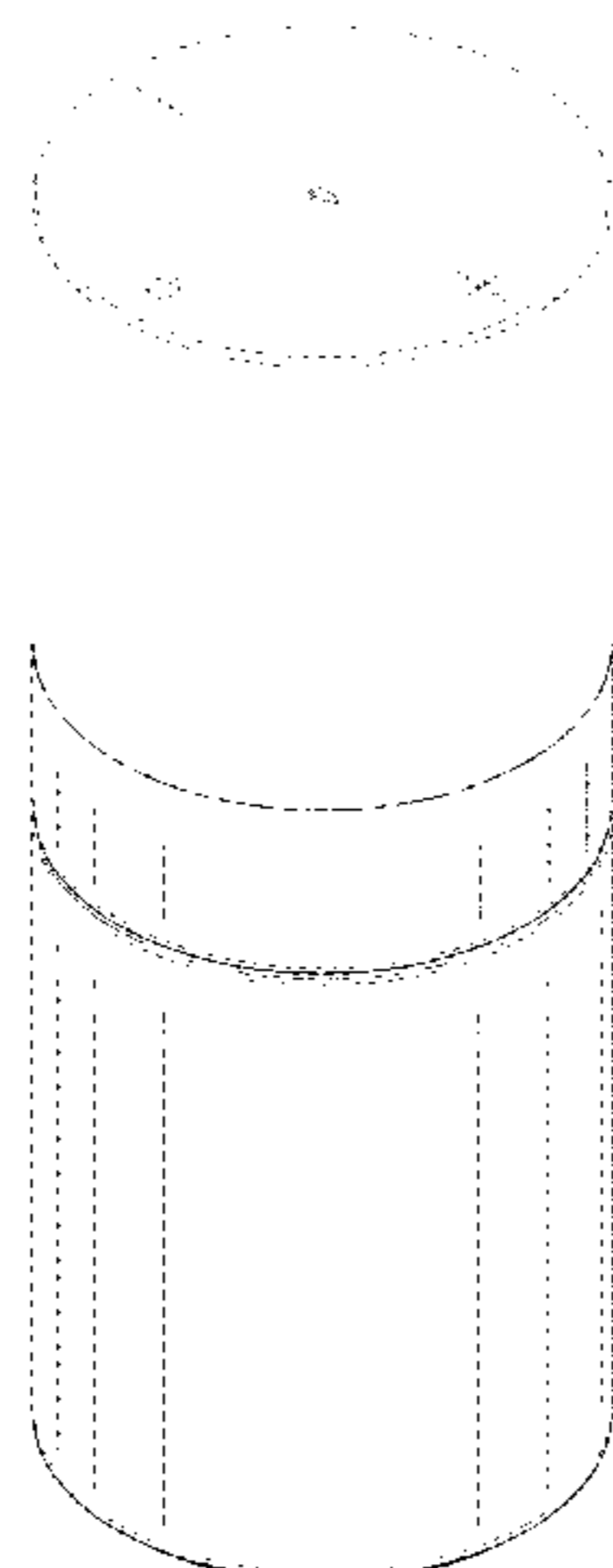


FIG. 24 is a bottom perspective view thereof;  
 FIG. 25 is a perspective view of the other speaker of the speaker set, shown separately for clarity of illustration;  
 FIG. 26 is a front view thereof;  
 FIG. 27 is a rear view thereof;  
 FIG. 28 is a left side view thereof;  
 FIG. 29 is a right side view thereof;  
 FIG. 30 is a top view thereof;  
 FIG. 31 is a bottom view thereof;  
 FIG. 32 is a bottom perspective view thereof; and,  
 FIG. 33 is another perspective view thereof in an environment of use.

The broken lines showing portions of the speaker set form no part of the claimed design.

The broken lines showing the environment in FIG. 33 form no part of the claimed design.

The dash-dot broken lines illustrate a boundary of the claimed design and form no part of the claimed design.

**1 Claim, 33 Drawing Sheets**

**(58) Field of Classification Search**

USPC .... D14/209.1, 216, 217, 221, 225–229, 240, D14/242, 299, 348, 349, 356–358, 432, D14/433, 474, 496, 497; D10/104.1, D10/106.1–106.9; D13/108, 110, 123, D13/158, 177, 199; D21/333, 483, 513; D9/500–505, 442, 443, 516, 532, 522, D9/558, 695–699, 702–714, 723–729; D23/366, 367; D28/82, 85, 90, 91.1, D28/87–89; D7/605–608, 510, 511  
 CPC ..... H04L 12/00; H03K 17/00; H04W 88/00; H04W 88/04; H04B 1/38; G10H 1/361; H04R 5/00; H04R 1/02; H04R 1/04; H04R 1/08

See application file for complete search history.

**(56) References Cited**

U.S. PATENT DOCUMENTS

D472,543 S	*	4/2003	Shintani .....	D14/211
D487,075 S	*	2/2004	Dayan .....	D14/216
D495,819 S	*	9/2004	Krieger .....	D26/104
D563,391 S	*	3/2008	Skurdal .....	D14/172
D577,333 S	*	9/2008	Daniel .....	D13/103
D598,020 S	*	8/2009	Lu .....	D14/358

D601,547 S	*	10/2009	Bradford .....	D14/214
D644,206 S	*	8/2011	Ponnert .....	D14/216
D722,595 S	*	2/2015	Mackiewicz et al.	
D725,076 S	*	3/2015	Wong .....	D14/216
D726,684 S	*	4/2015	Schmiedbauer	
D726,686 S	*	4/2015	Yoon .....	D14/216
D750,597 S	*	3/2016	Fischer .....	D14/216
D752,552 S	*	3/2016	D’Ascanio .....	D14/216
D762,564 S	*	8/2016	Patton .....	D13/103
D766,213 S	*	9/2016	Hinokio .....	D14/216
D771,141 S	*	11/2016	Langhammer .....	D14/496
D786,679 S	*	5/2017	Barroso Miana .....	D9/504
D797,073 S	*	9/2017	Yoon .....	D14/172
D798,839 S	*	10/2017	Yeon .....	D14/216
D803,810 S	*	11/2017	Lee .....	D14/216
D803,813 S	*	11/2017	Rouffiat .....	D14/216
D807,701 S	*	1/2018	Bo .....	D7/507
D813,213 S	*	3/2018	Honda .....	D14/240
D823,537 S	*	7/2018	Beaver .....	D27/191
D835,063 S	*	12/2018	Wu .....	D14/204
D836,395 S	*	12/2018	Seiders .....	D7/510
D836,606 S	*	12/2018	Kangasmaa .....	D14/216
D839,675 S	*	2/2019	Beckman .....	D7/511
D842,842 S	*	3/2019	Lee .....	D14/216
D844,557 S	*	4/2019	Wang .....	D13/103
D845,276 S	*	4/2019	Huang .....	D14/216
D846,354 S	*	4/2019	Omdahl, II .....	D7/510
D849,718 S	*	5/2019	Park .....	D14/216
D850,728 S	*	6/2019	Lee .....	D28/89

FOREIGN PATENT DOCUMENTS

KR	300393908 S	10/2005
KR	300687073 S	3/2013
KR	300729309 S	2/2014
KR	300798181 S	5/2015
KR	300805778 S	7/2015

OTHER PUBLICATIONS

Samsung/Harman Reveals the Harman Kardon Invoke Intelligent Speaker with Cortana, YouTube.com, SamTIZEN, Published on Oct. 28, 2017, [online], [site visited Jun. 27, 2019]. URL: <https://www.youtube.com/watch?v=-4jFNN1UiIY> (Year: 2017).\*

Samsung ArtPC Pulse First Look I Cylindrical Modular PC with 360-Degree Sound, YouTube.com, Gadgets 360, Published on Jan. 7, 2017, [online], [site visited Jun. 27, 2019]. URL: <https://www.youtube.com/watch?v=aR9etJXDM9Y> (Year: 2017).\*

Xiaomi Cannon 2 Bluetooth Speaker, Fan-Mall.com, [online], [site visited Jun. 27, 2019]. URL: <https://www.fan-mall.com/gb/bluetooth-speakers/8-66-xiaomi-cannon-2-bluetooth-speaker.html> (Year: 2019).\*

\* cited by examiner

FIG. 1

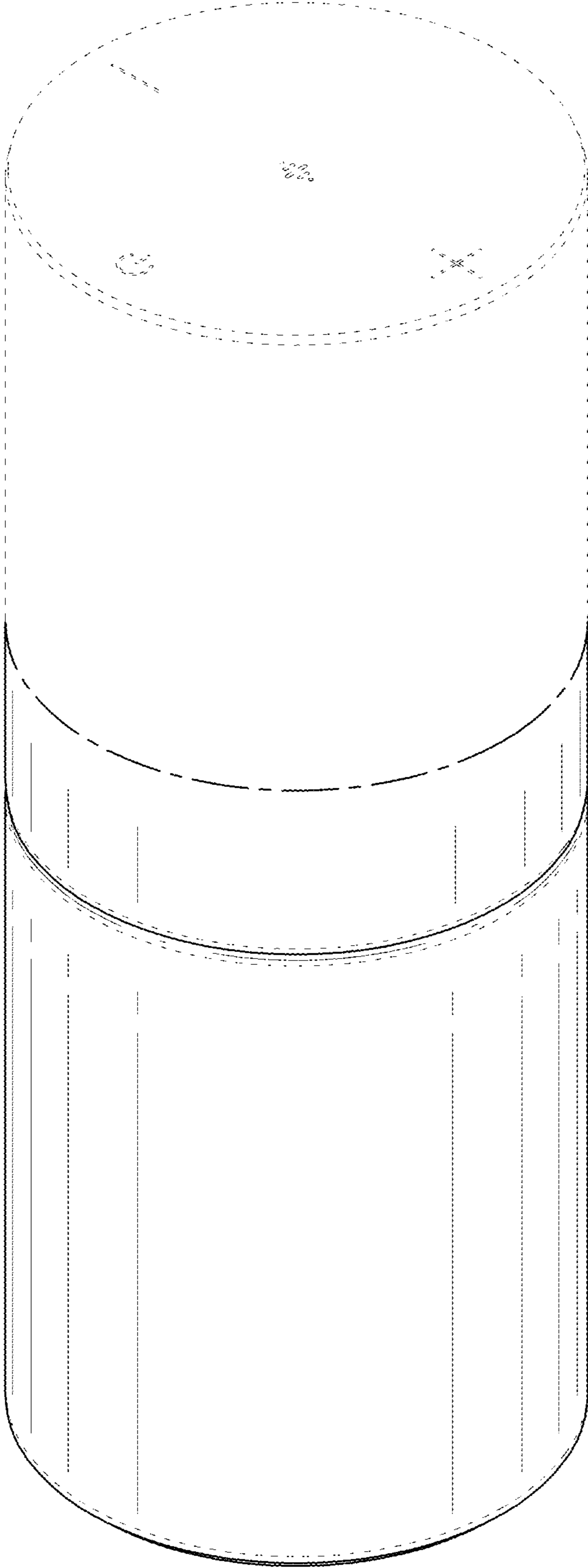


FIG. 2

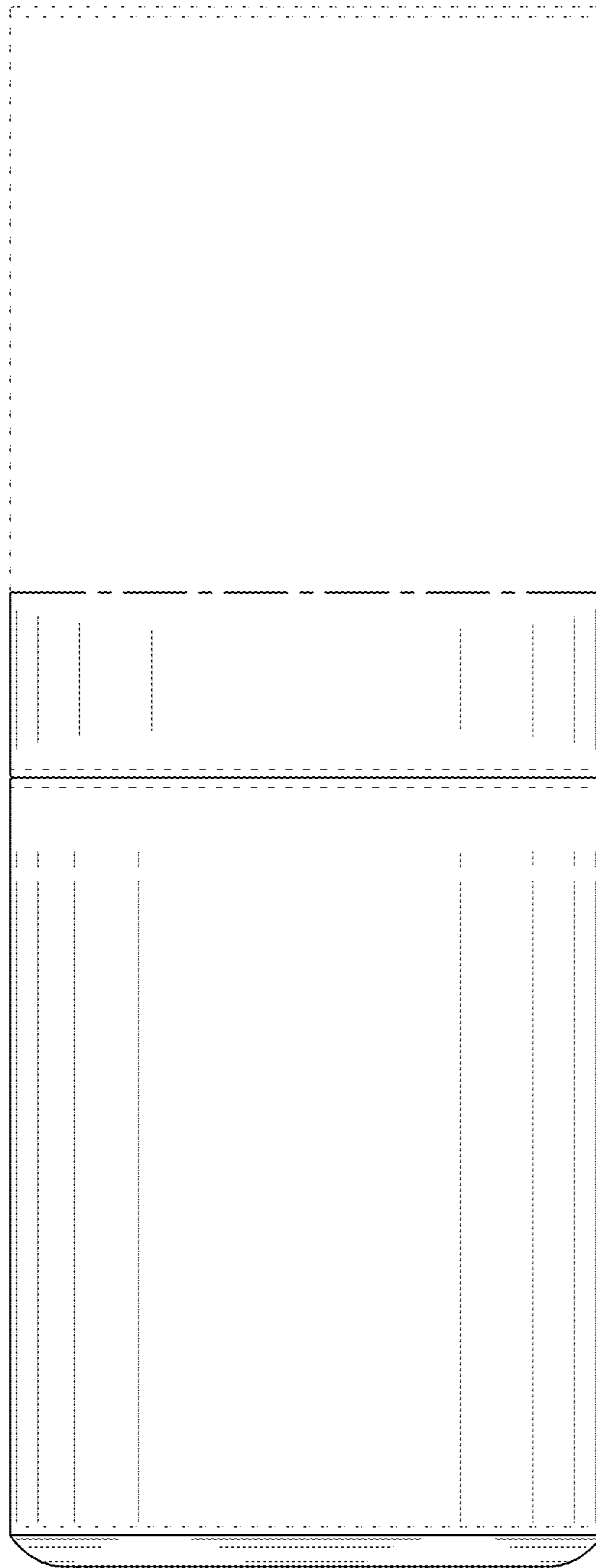


FIG. 3

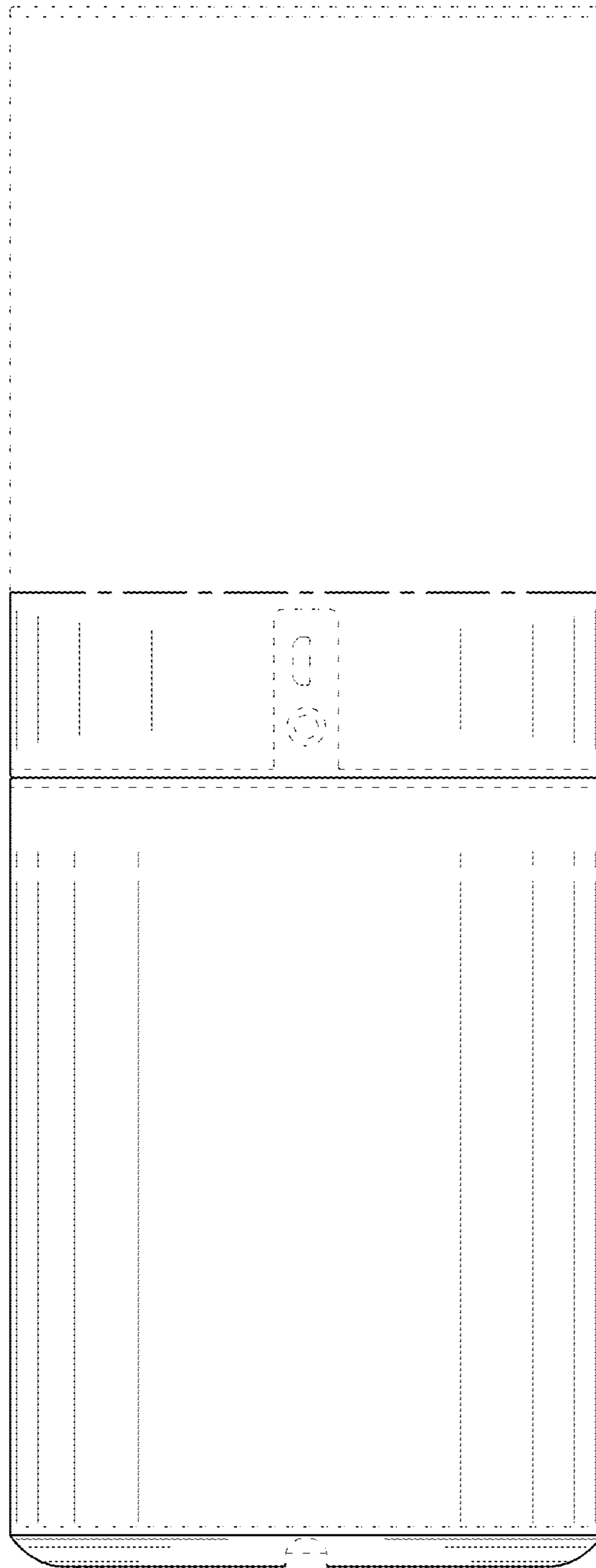


FIG. 4

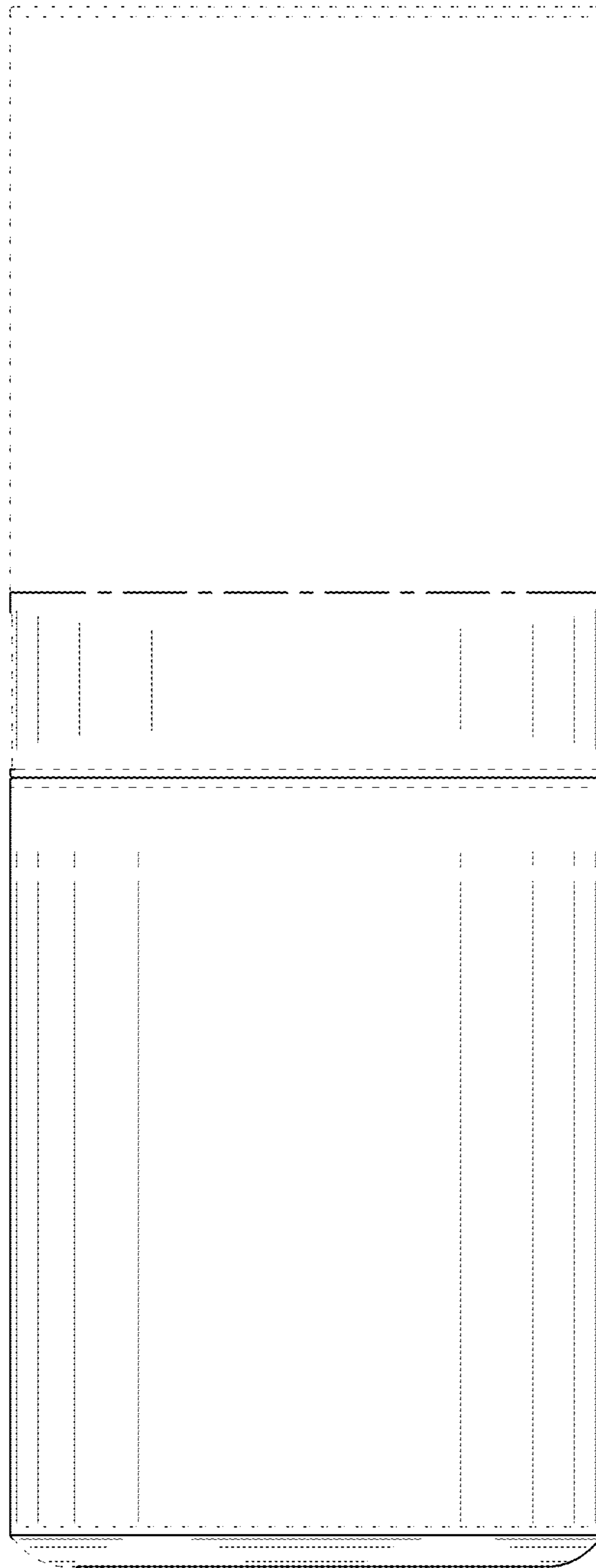


FIG. 5

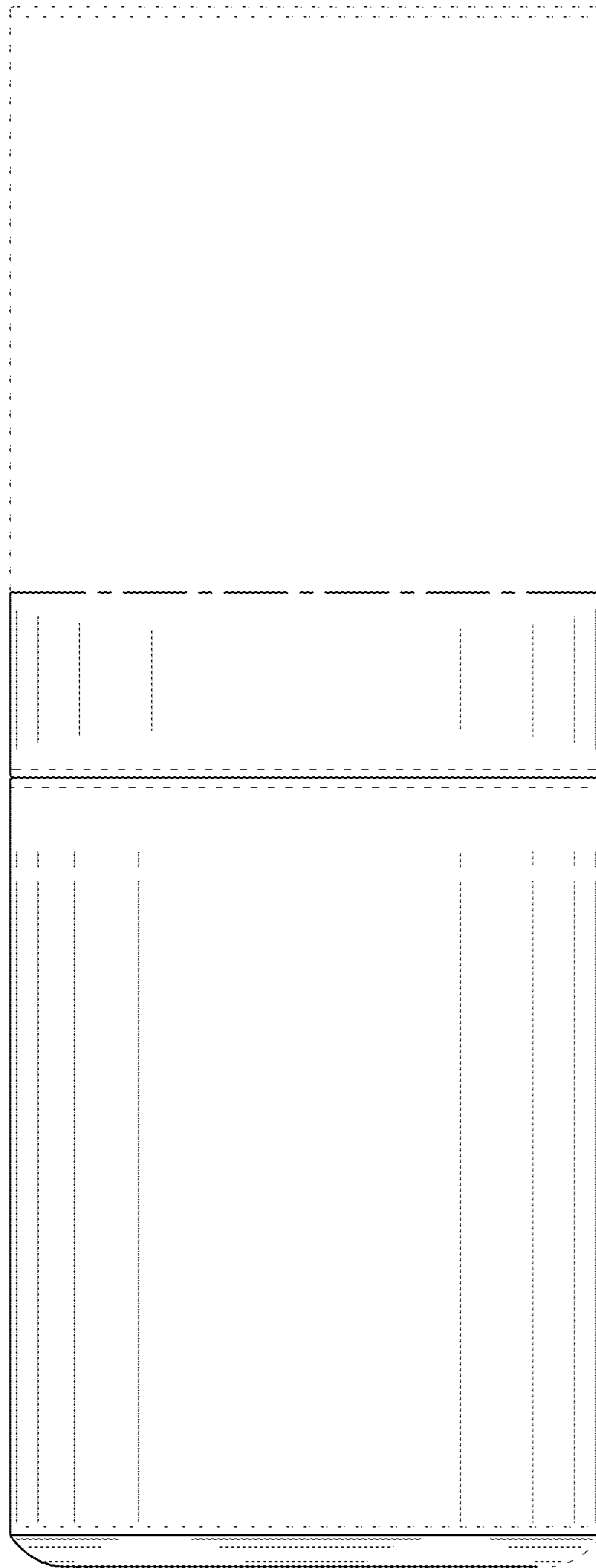


FIG. 6

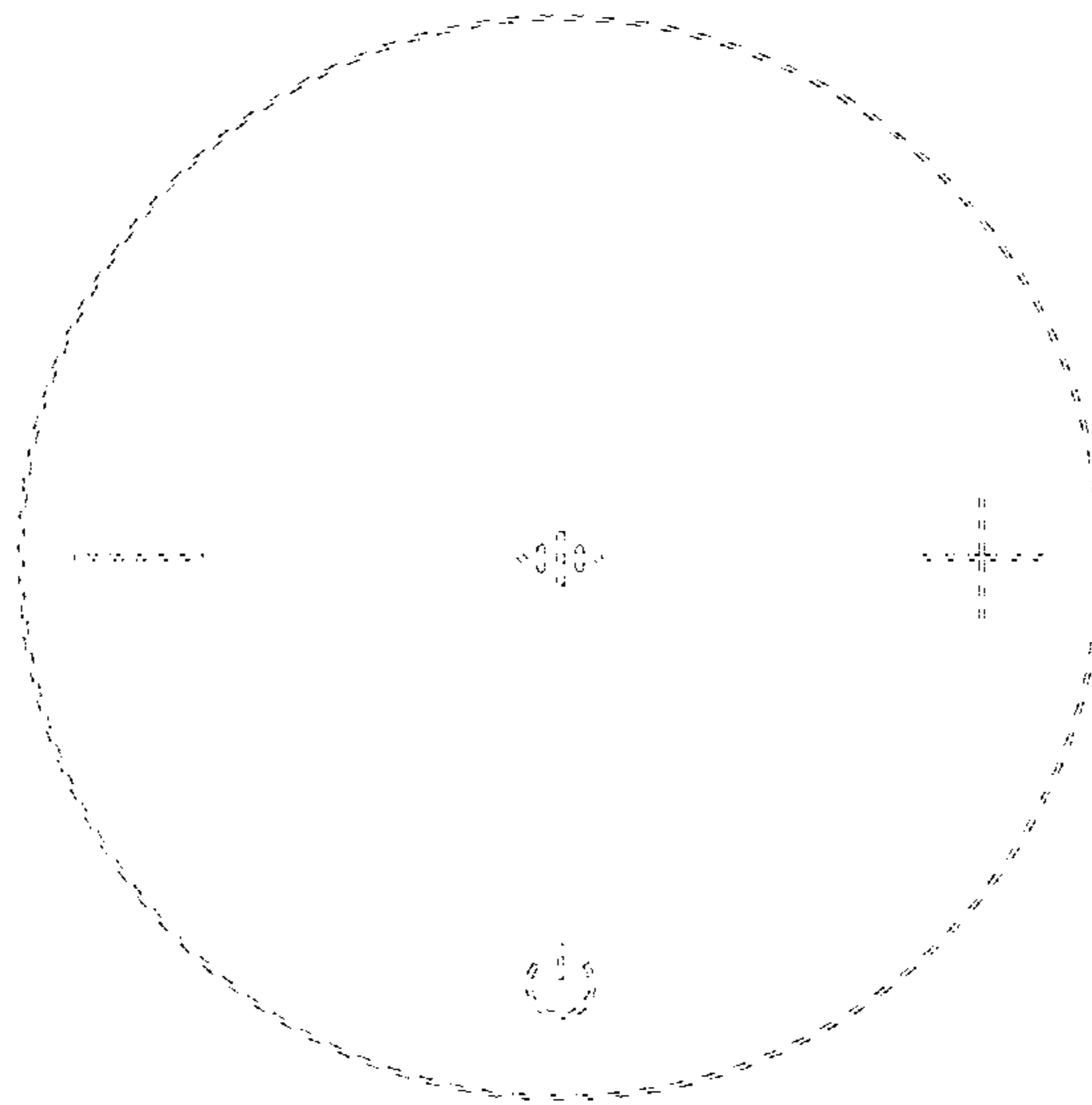




FIG. 7

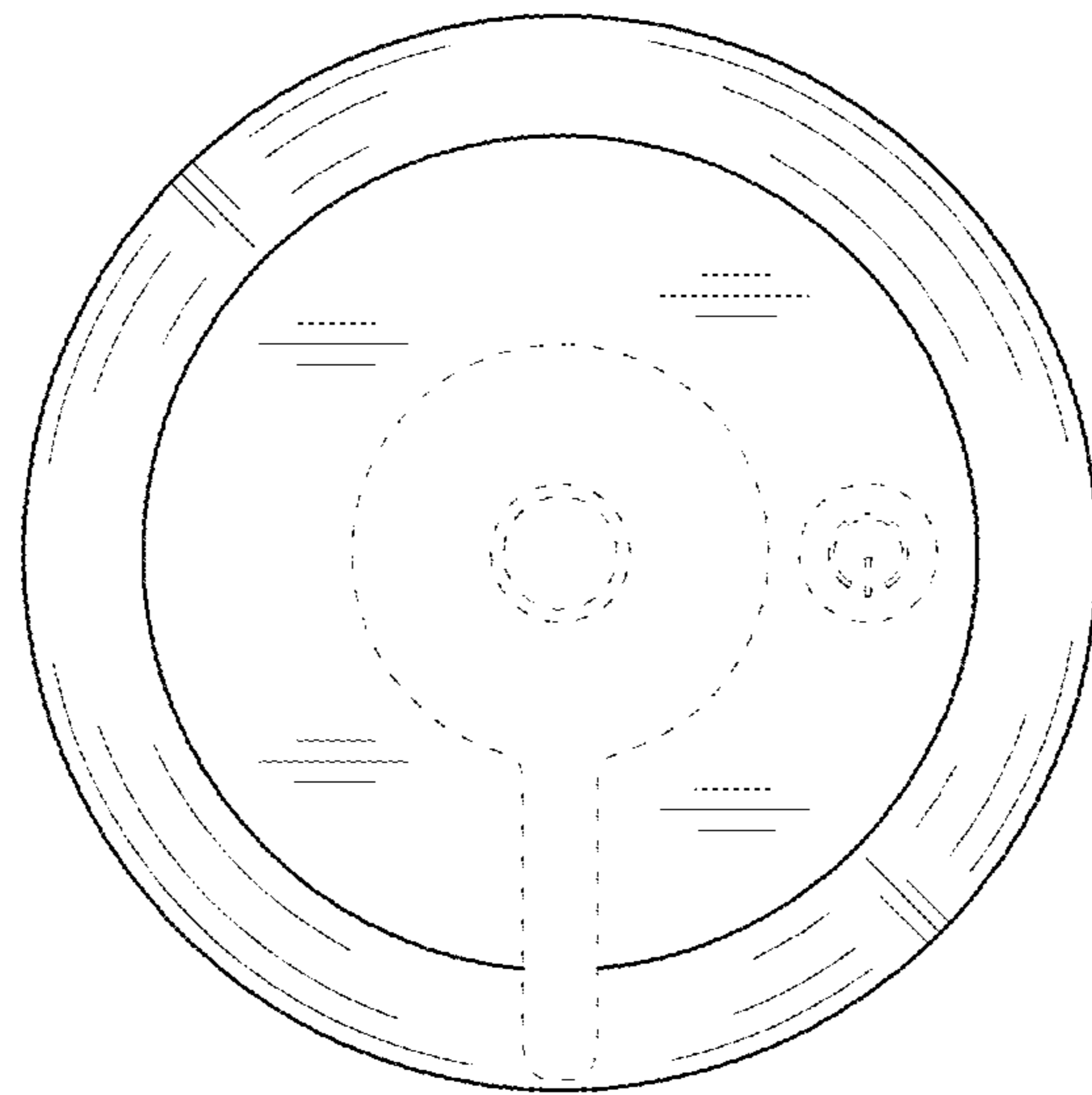


FIG. 8

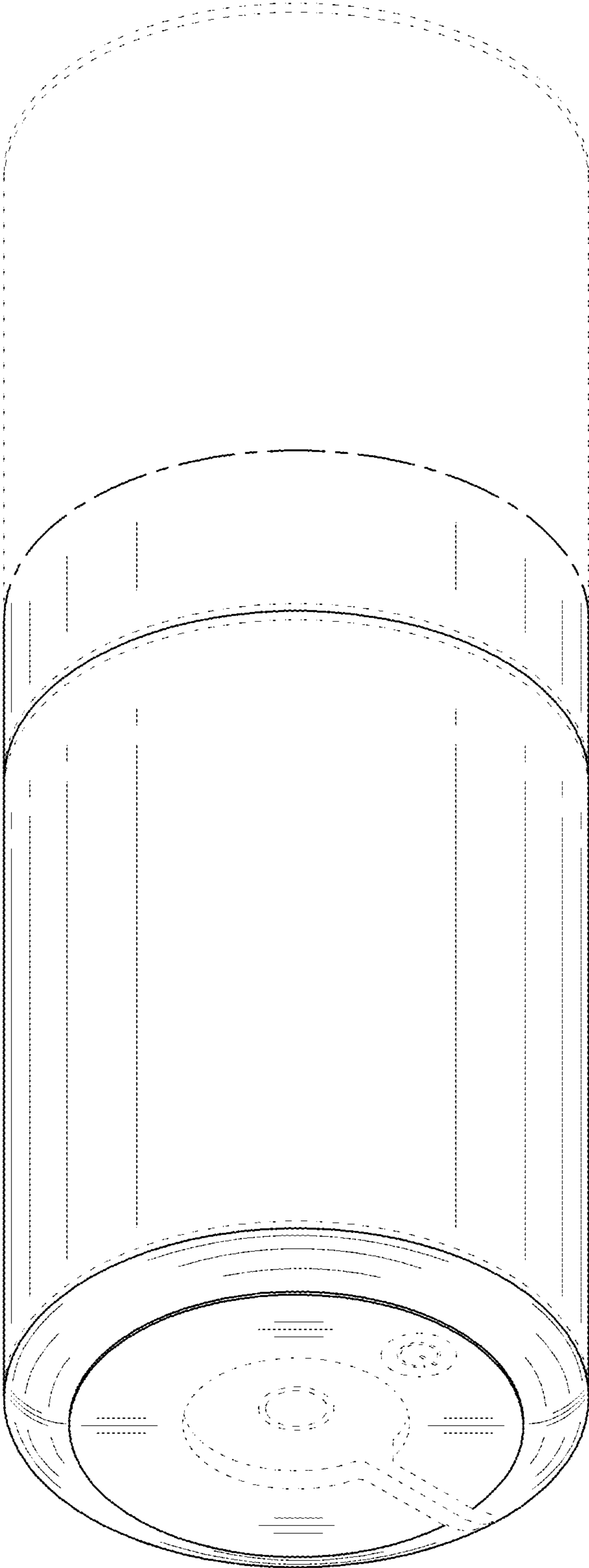


FIG. 9

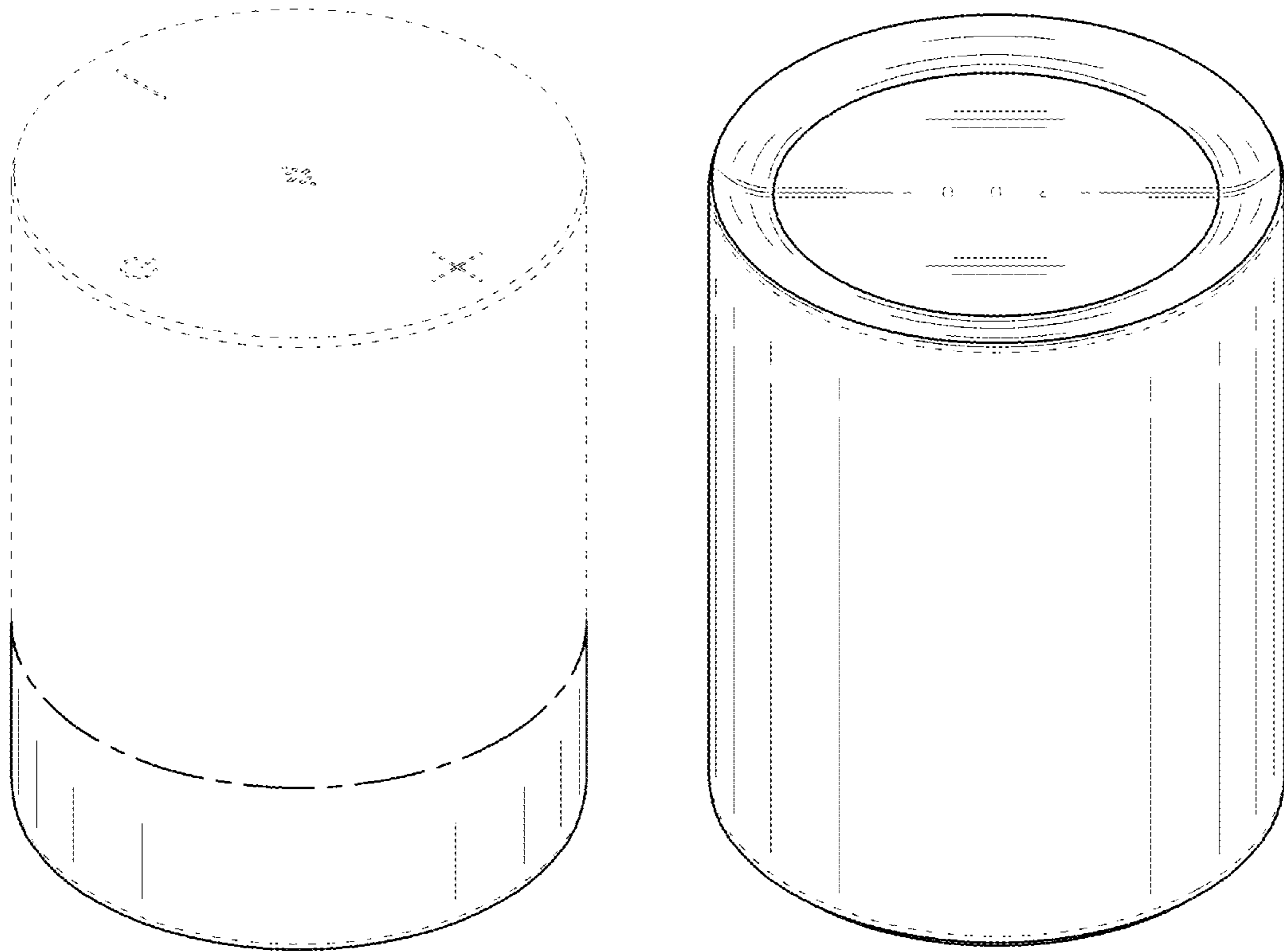


FIG. 10

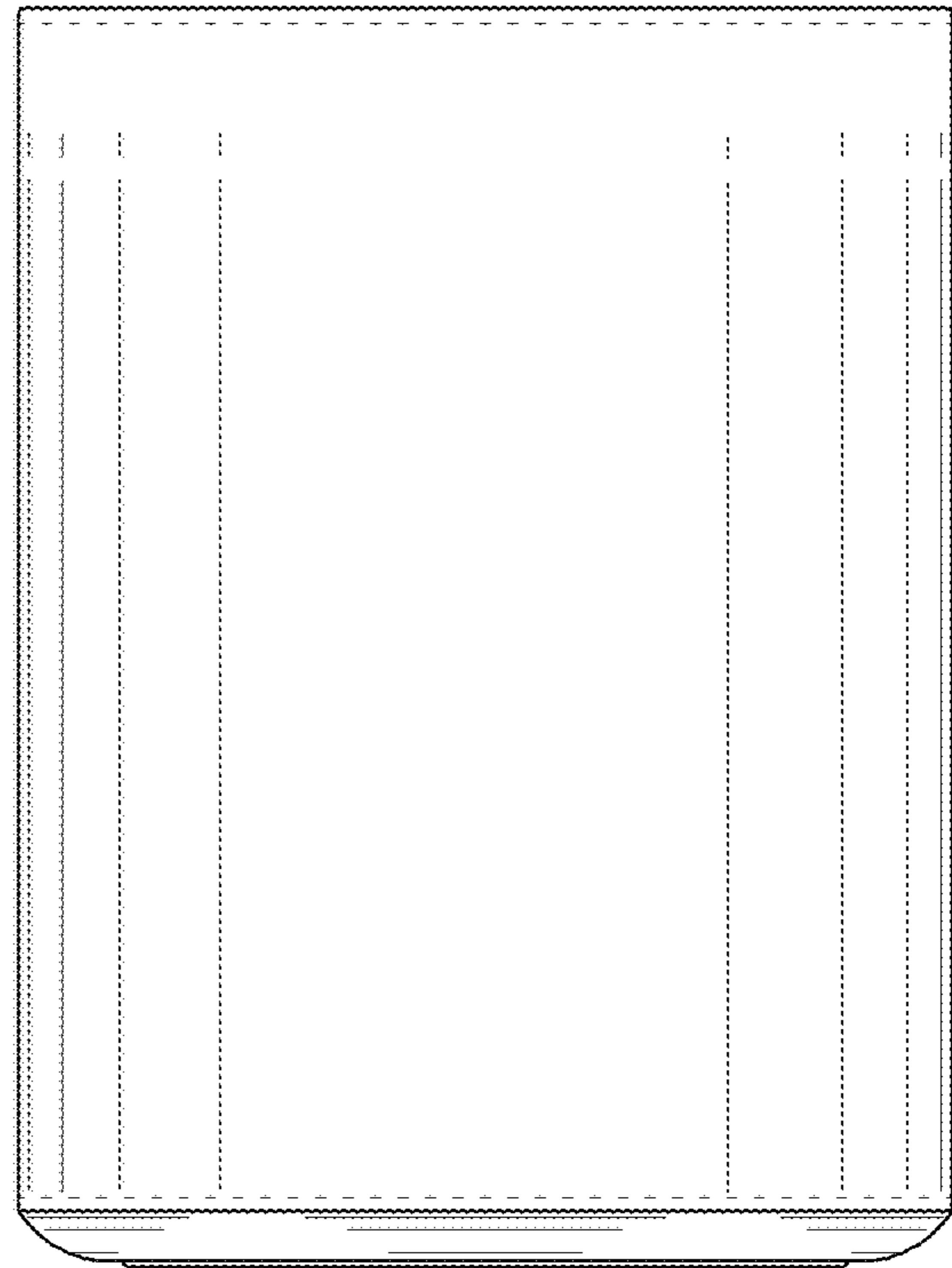
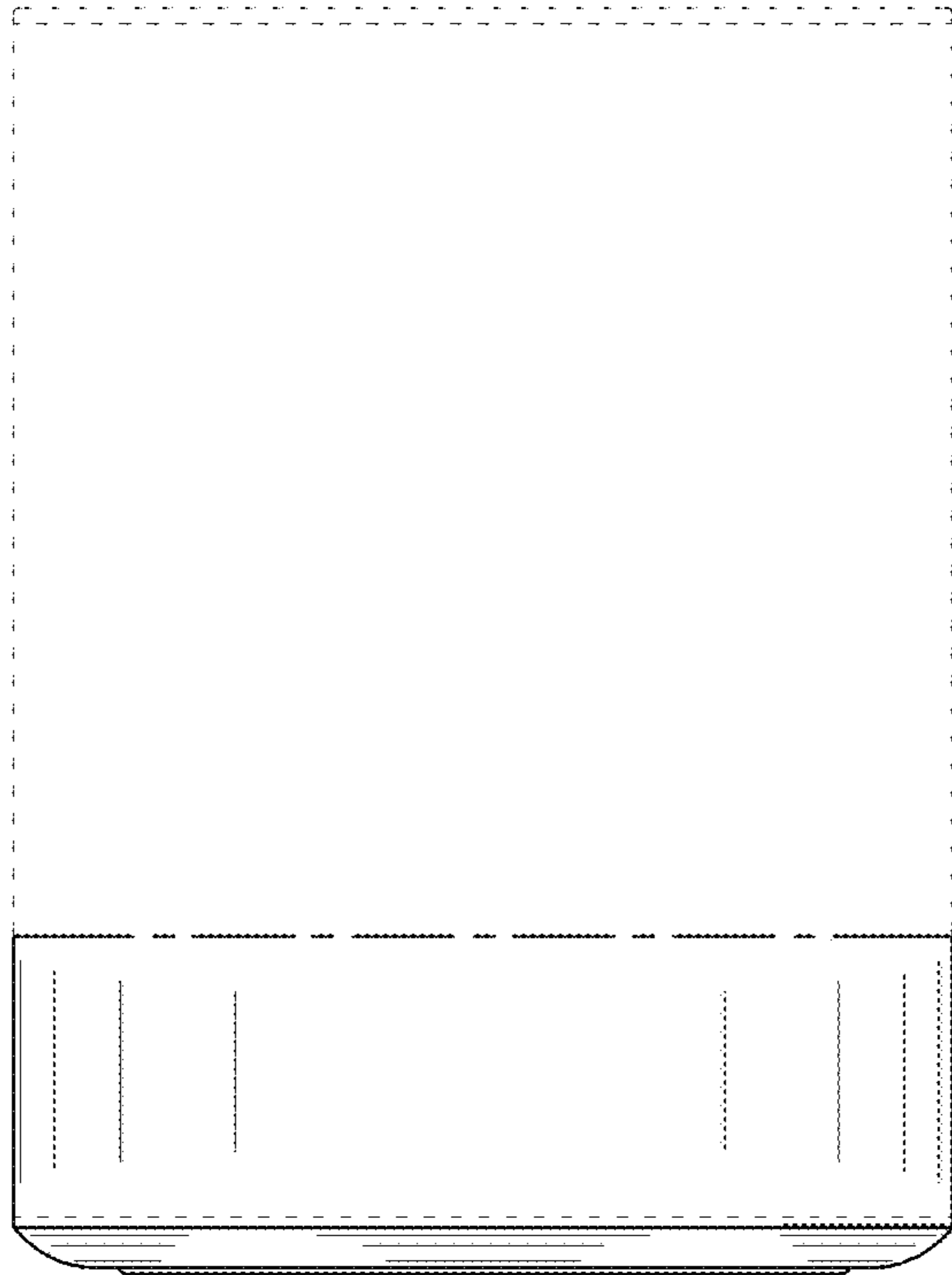


FIG. 11

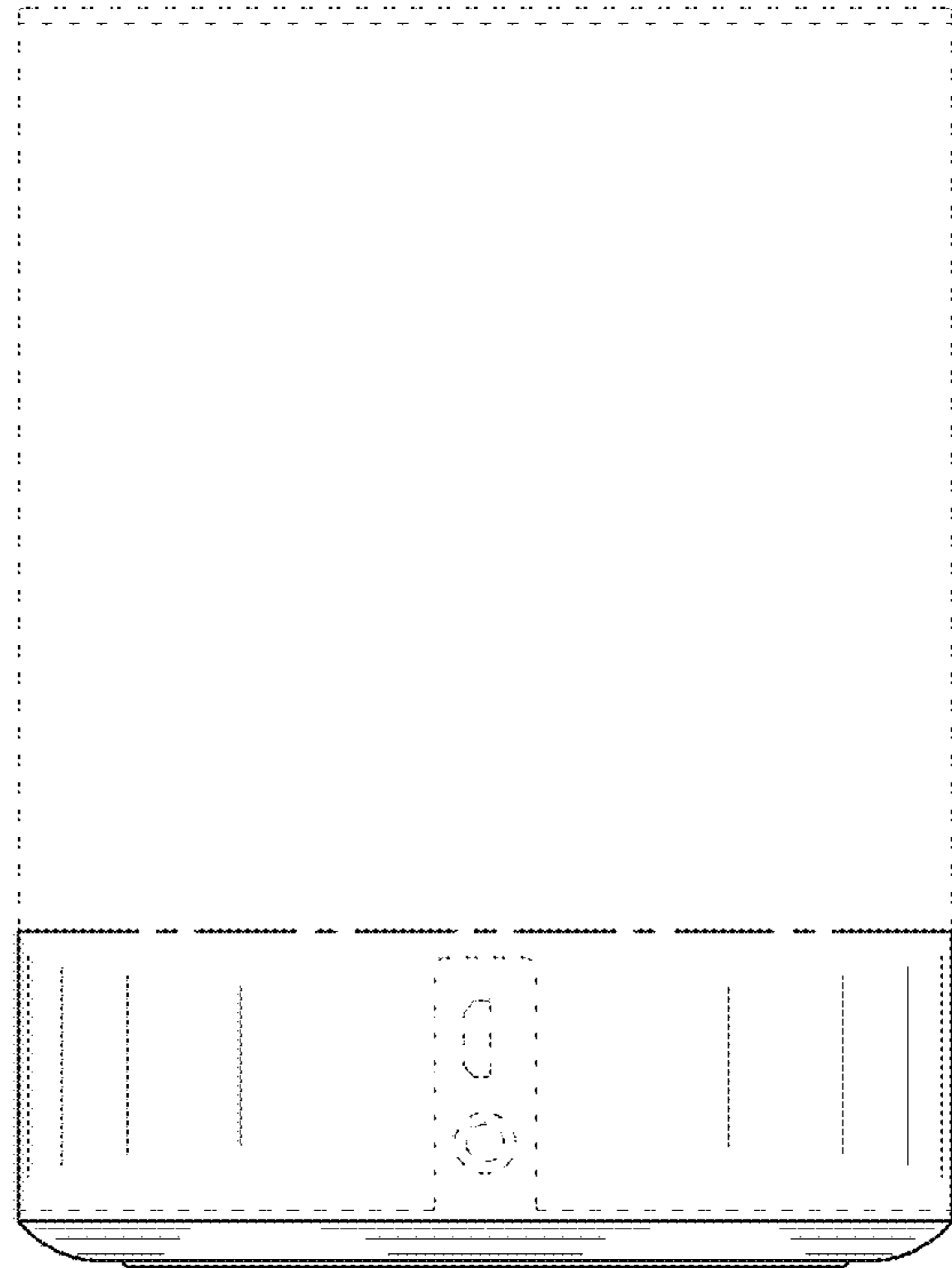
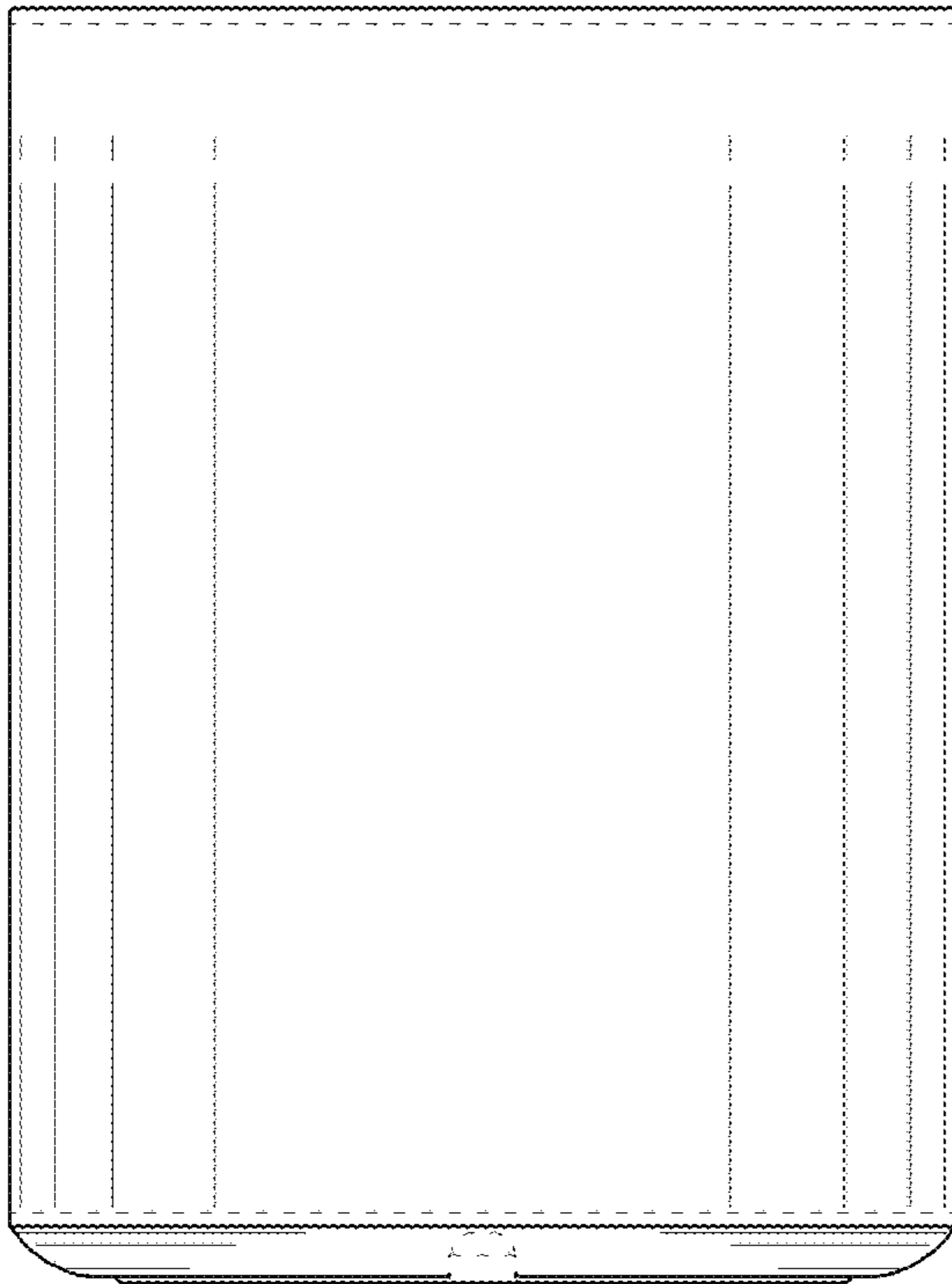


FIG. 12

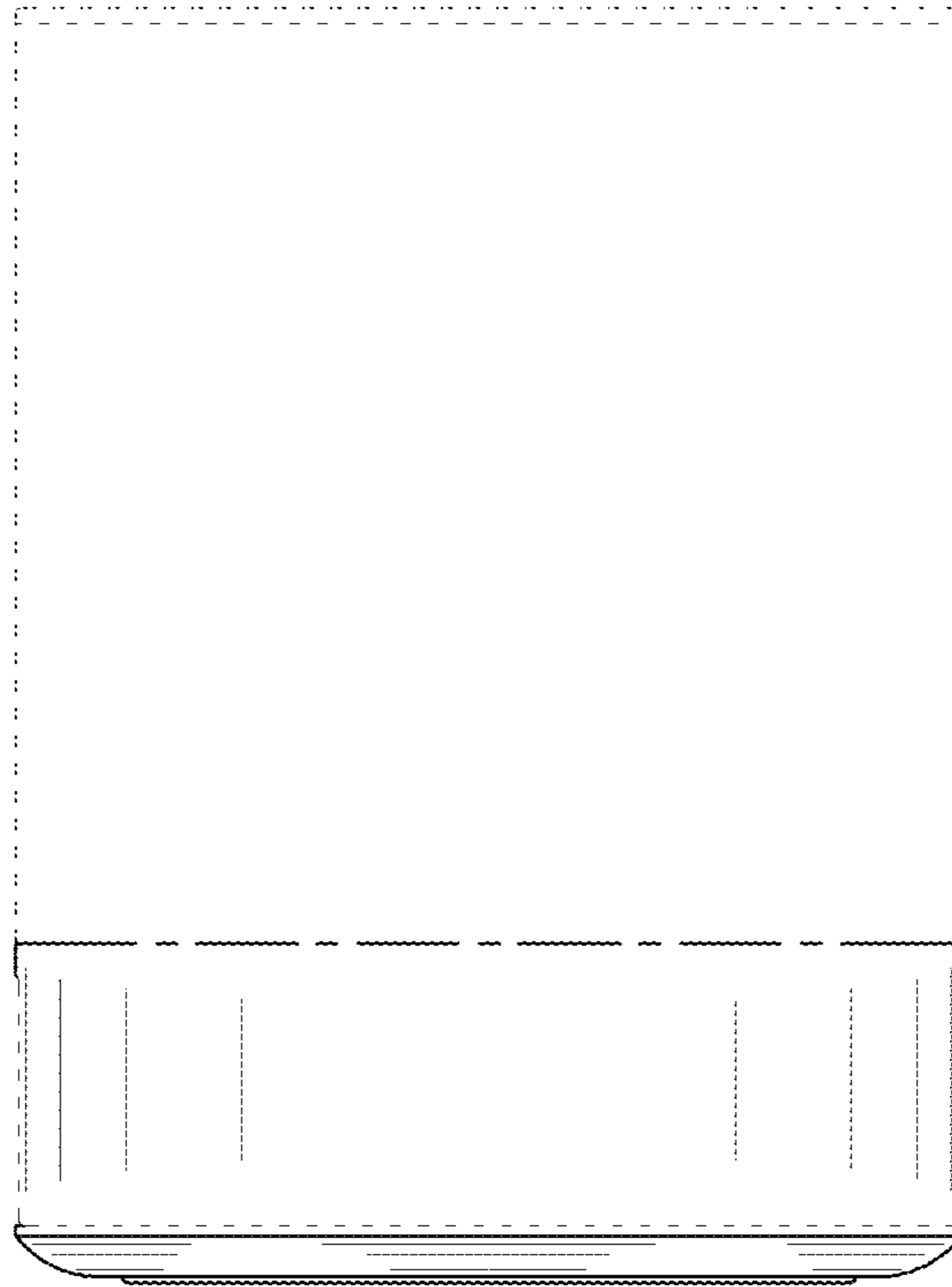


FIG. 13

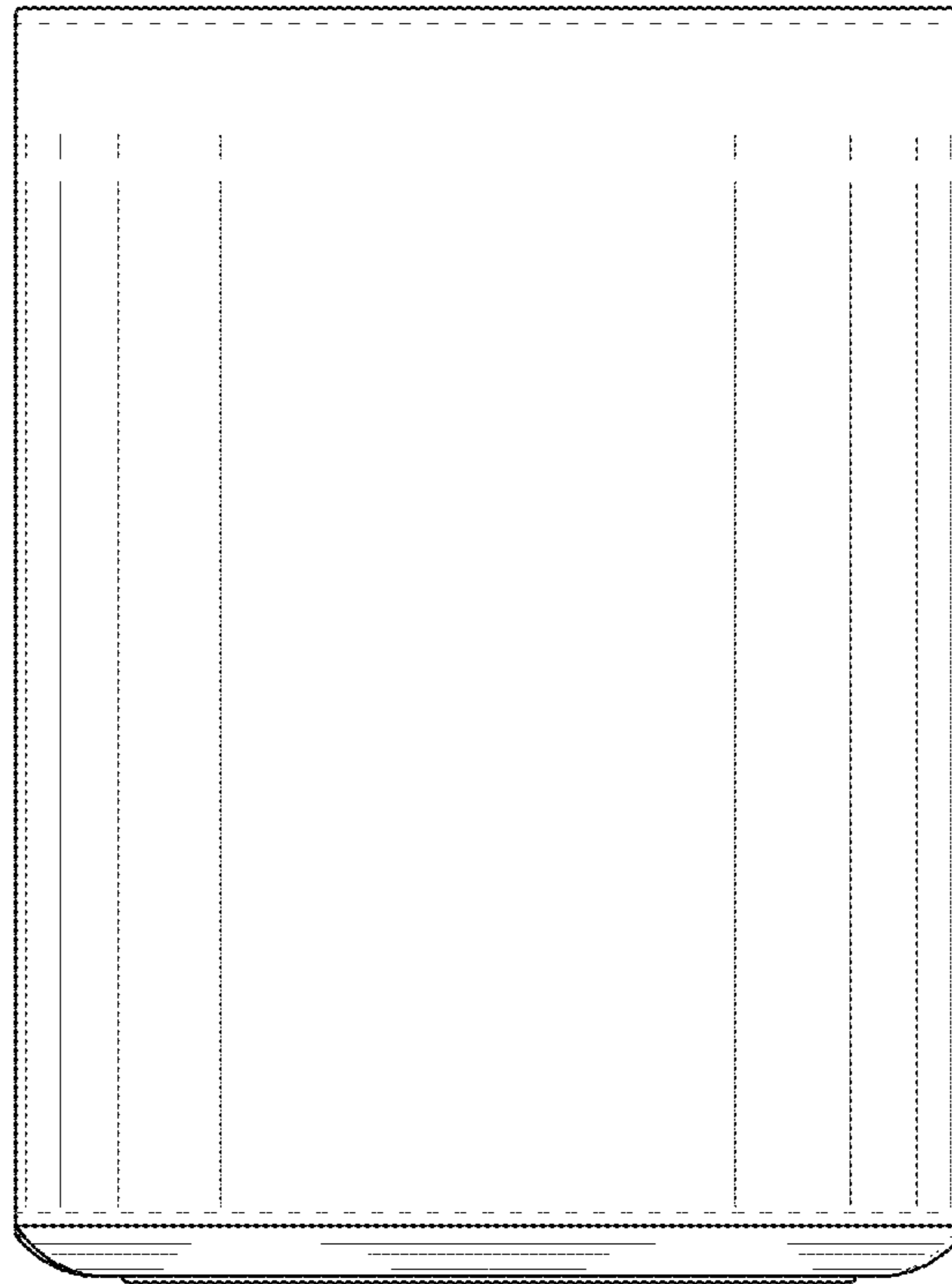


FIG. 14

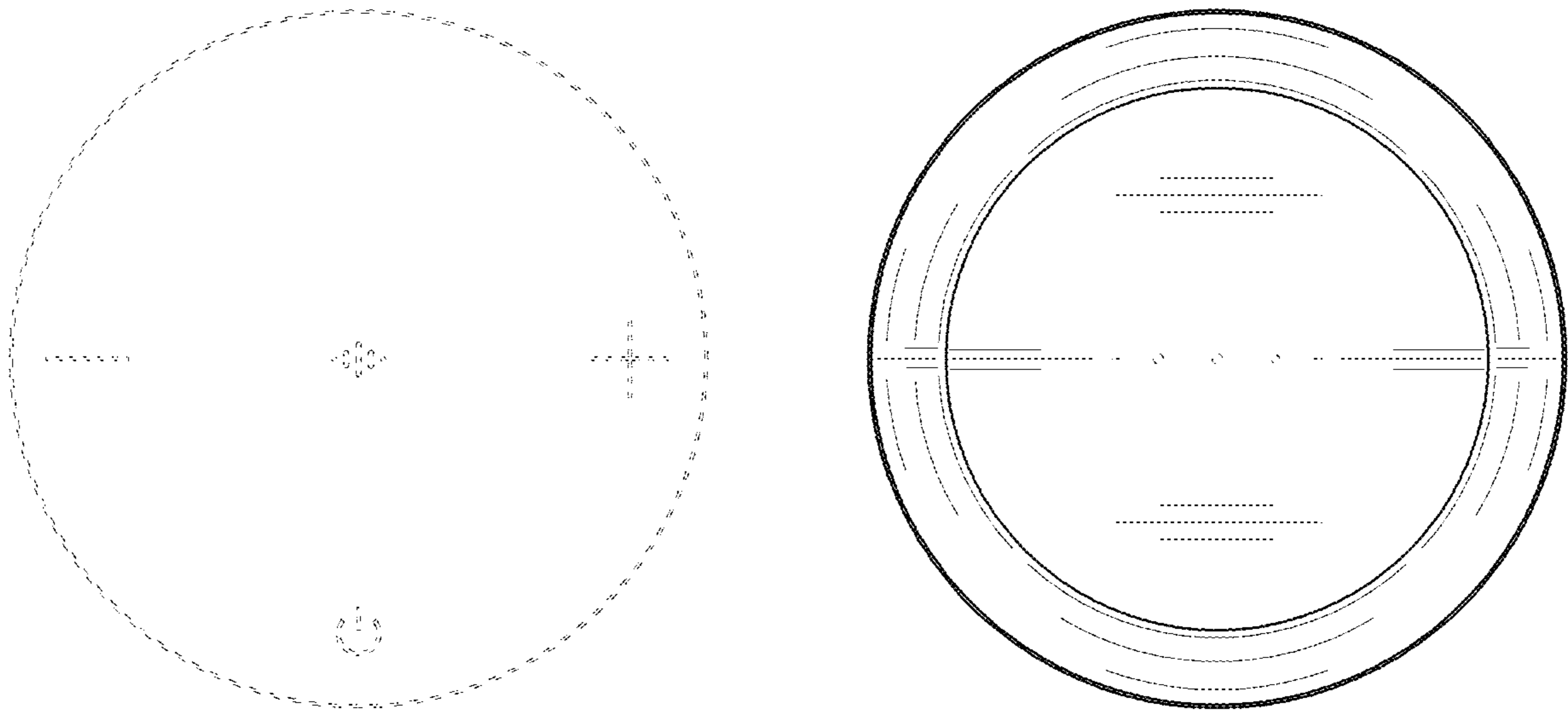




FIG. 15

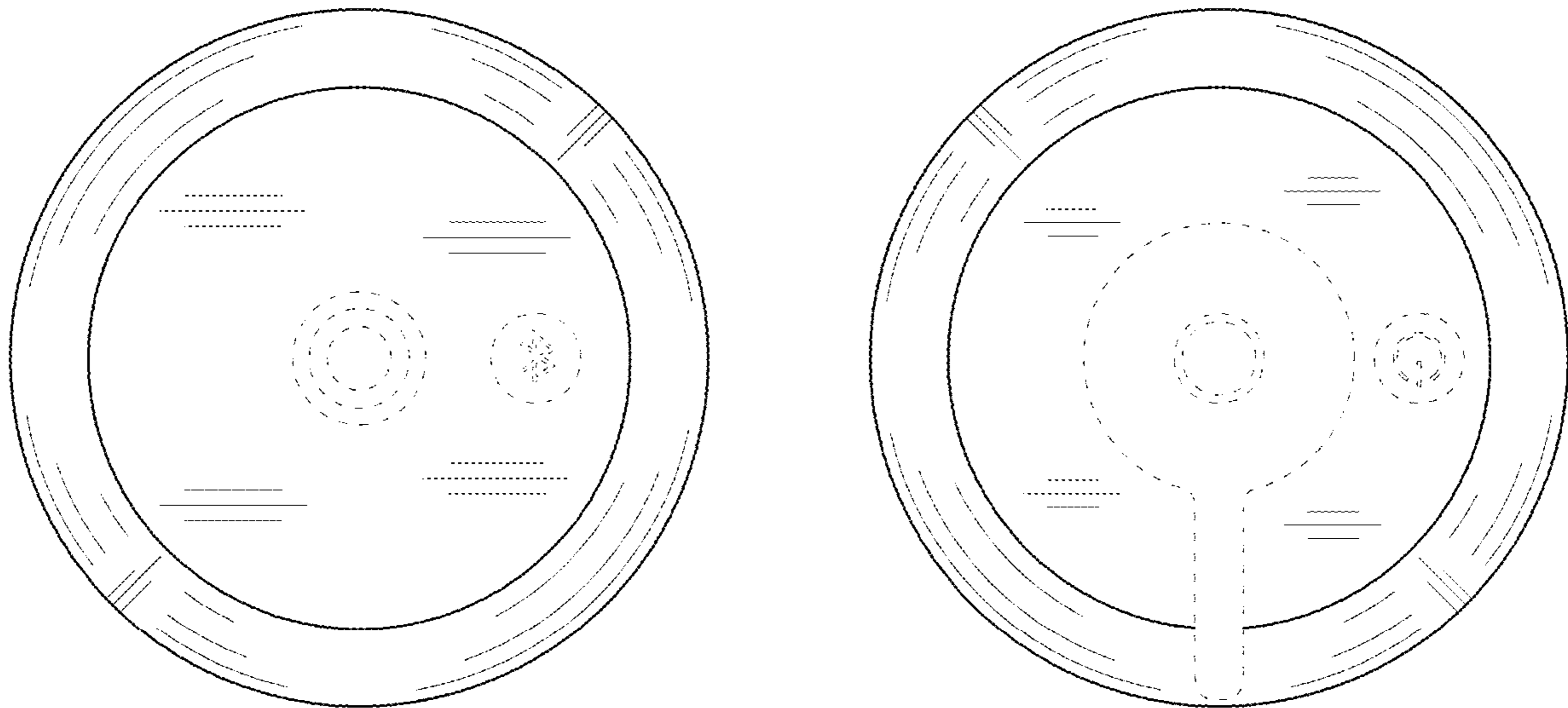


FIG. 16

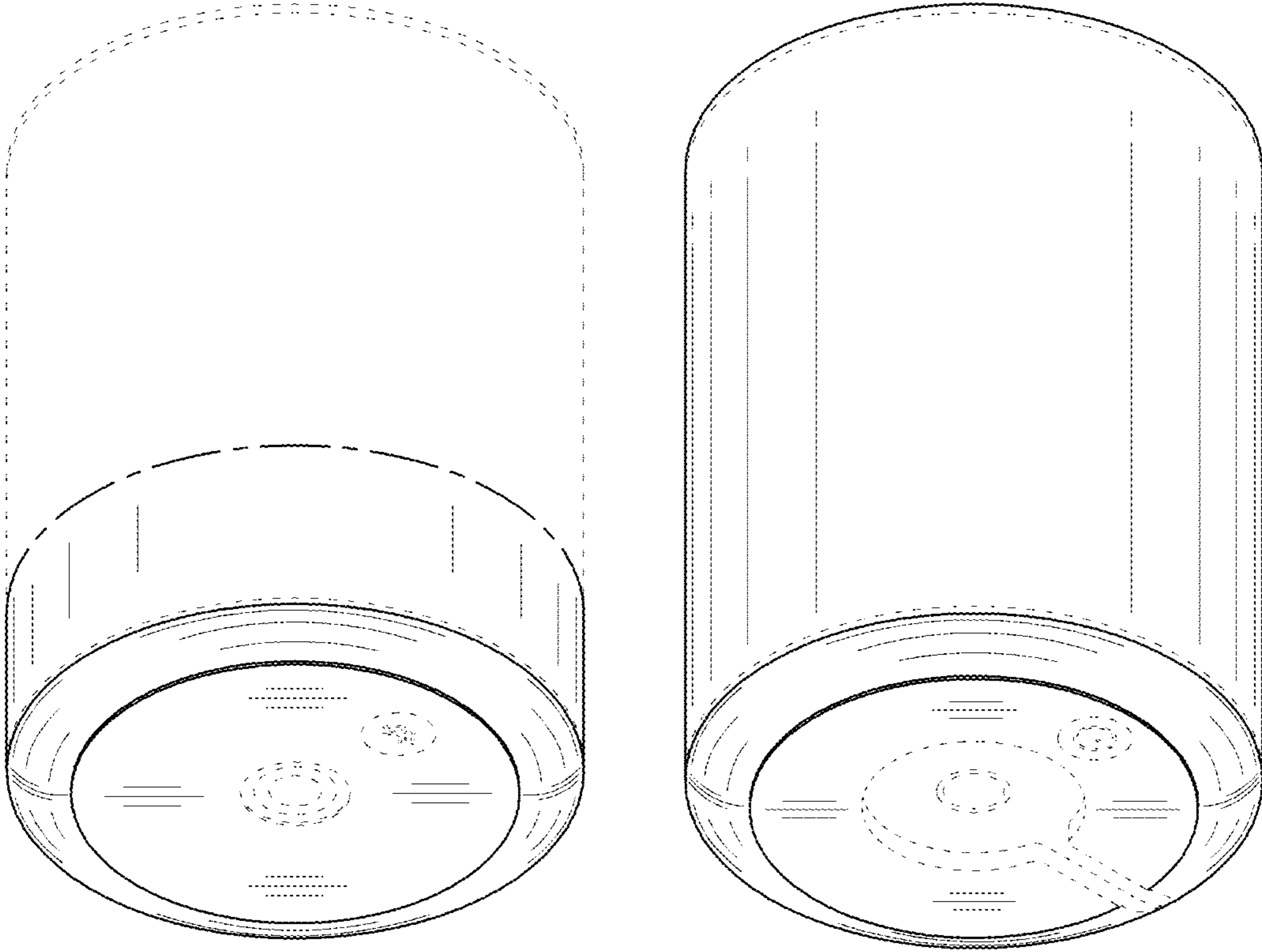


FIG. 17

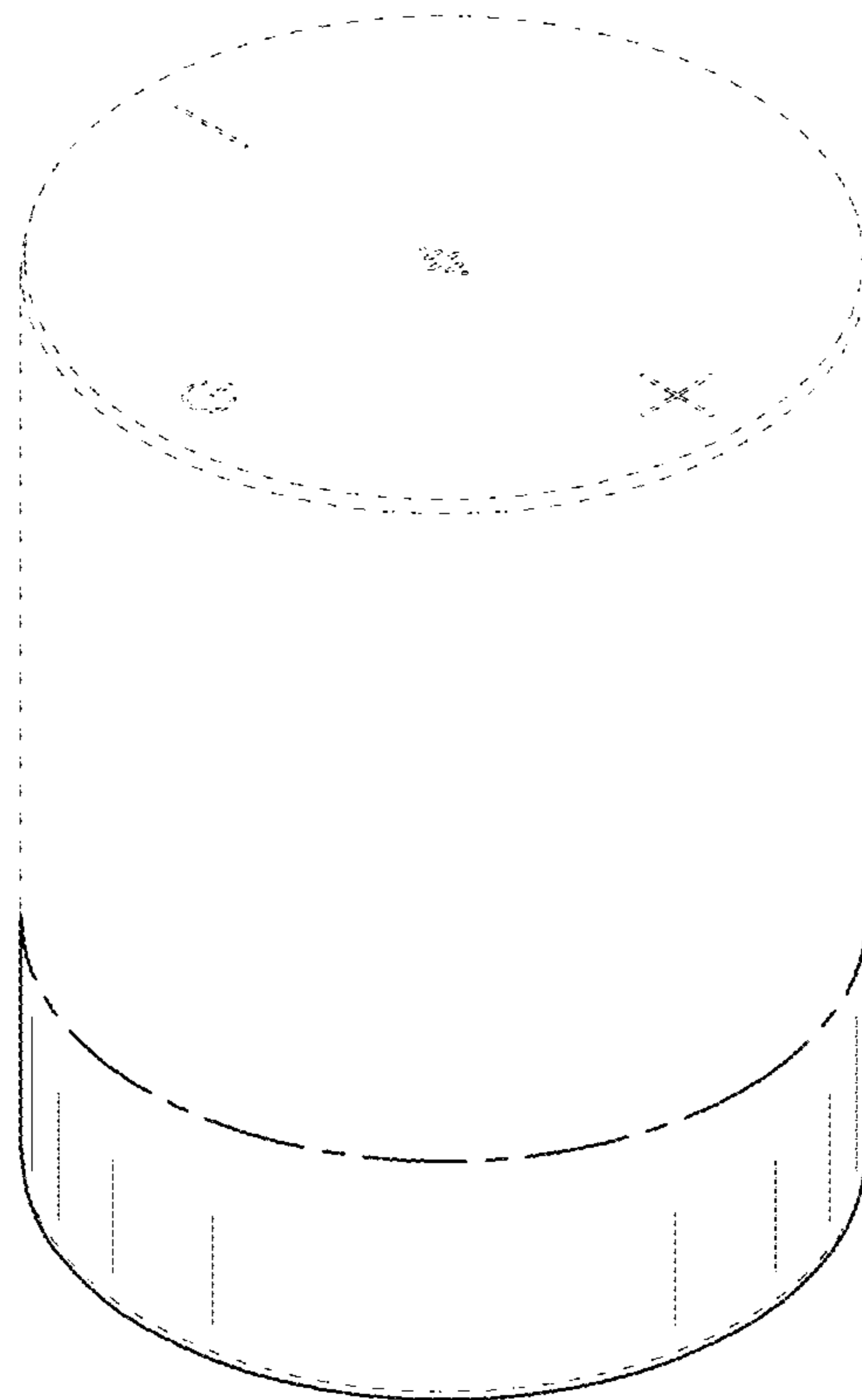


FIG. 18

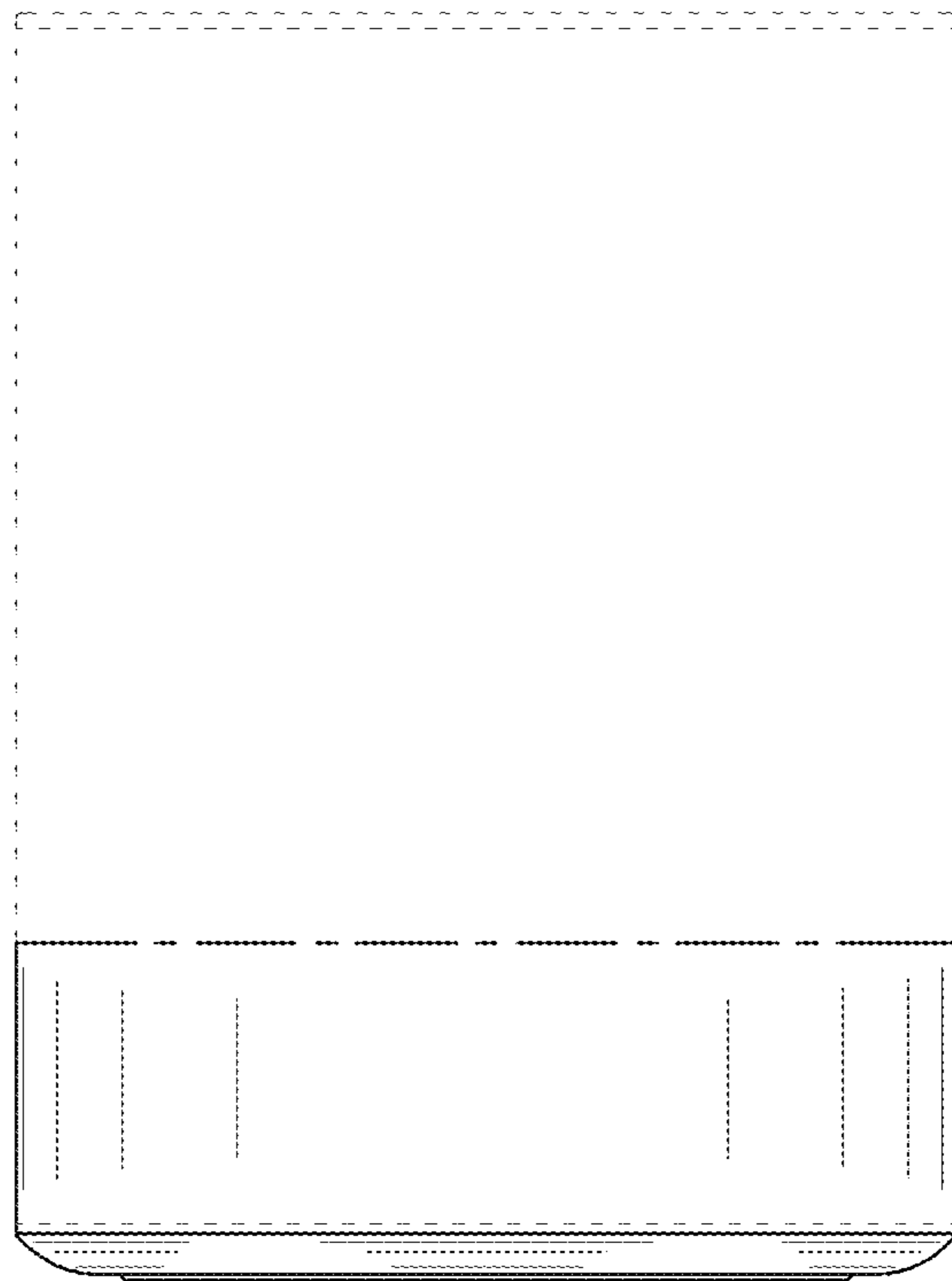


FIG. 19

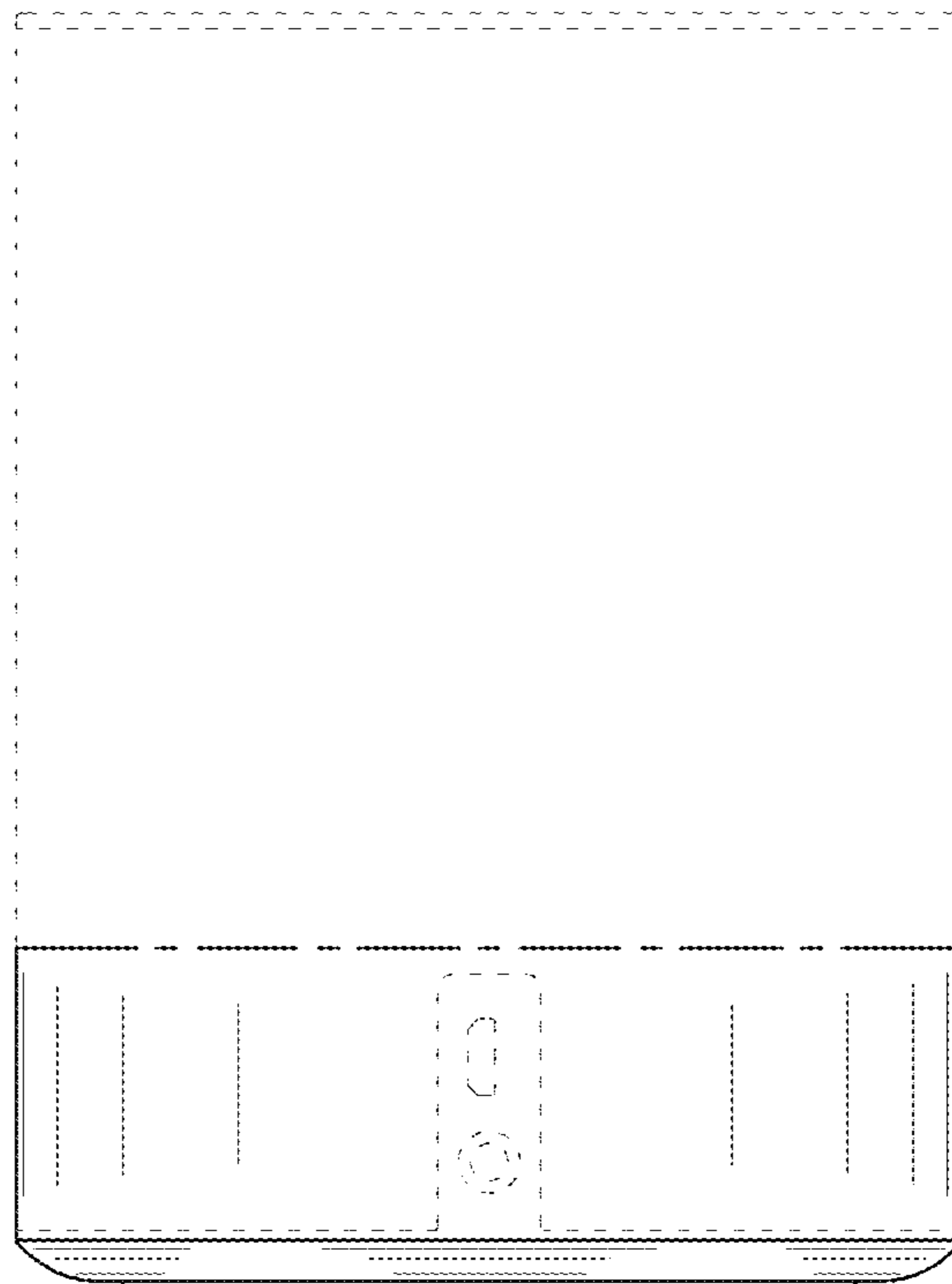


FIG. 20

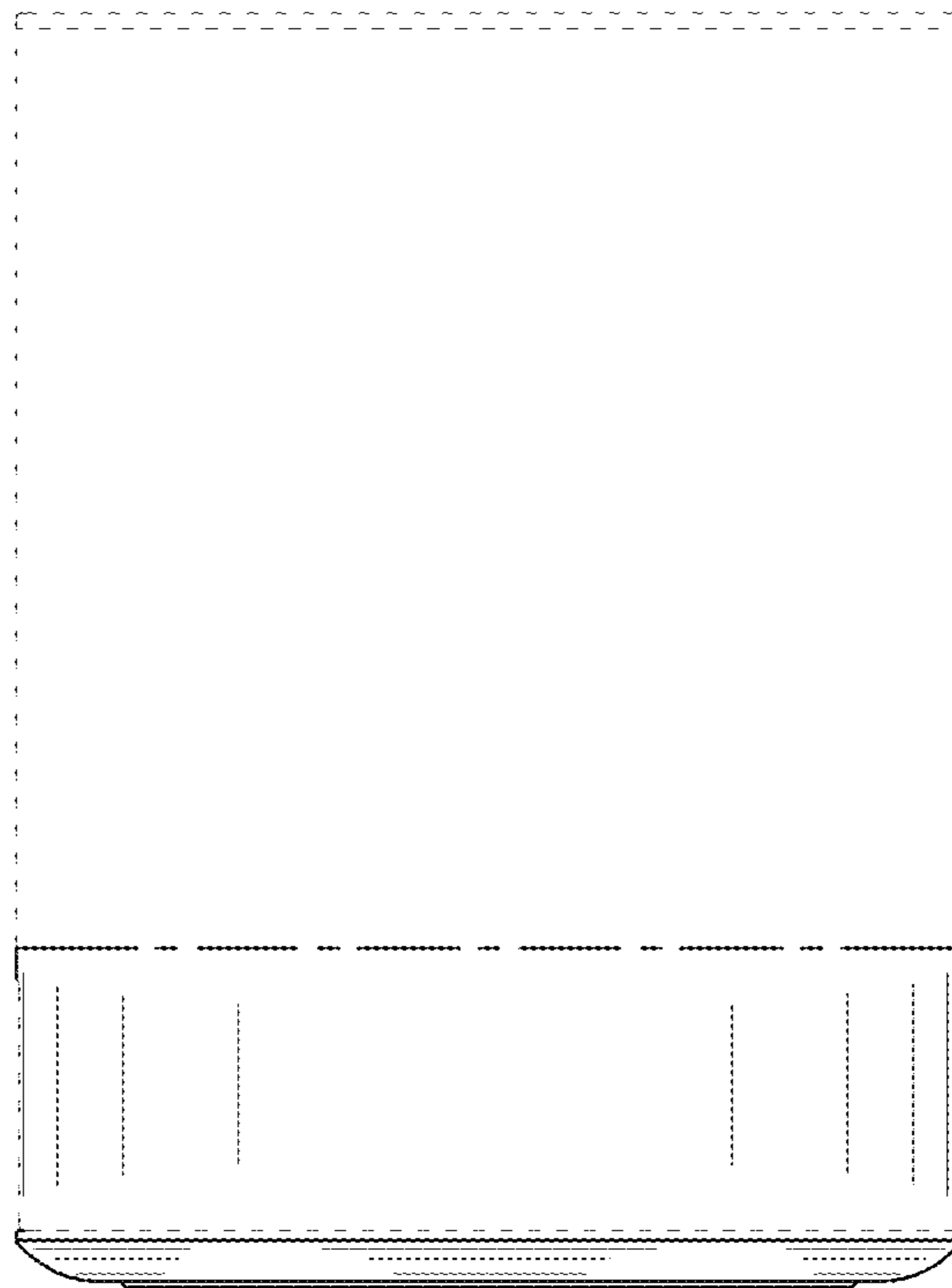


FIG. 21

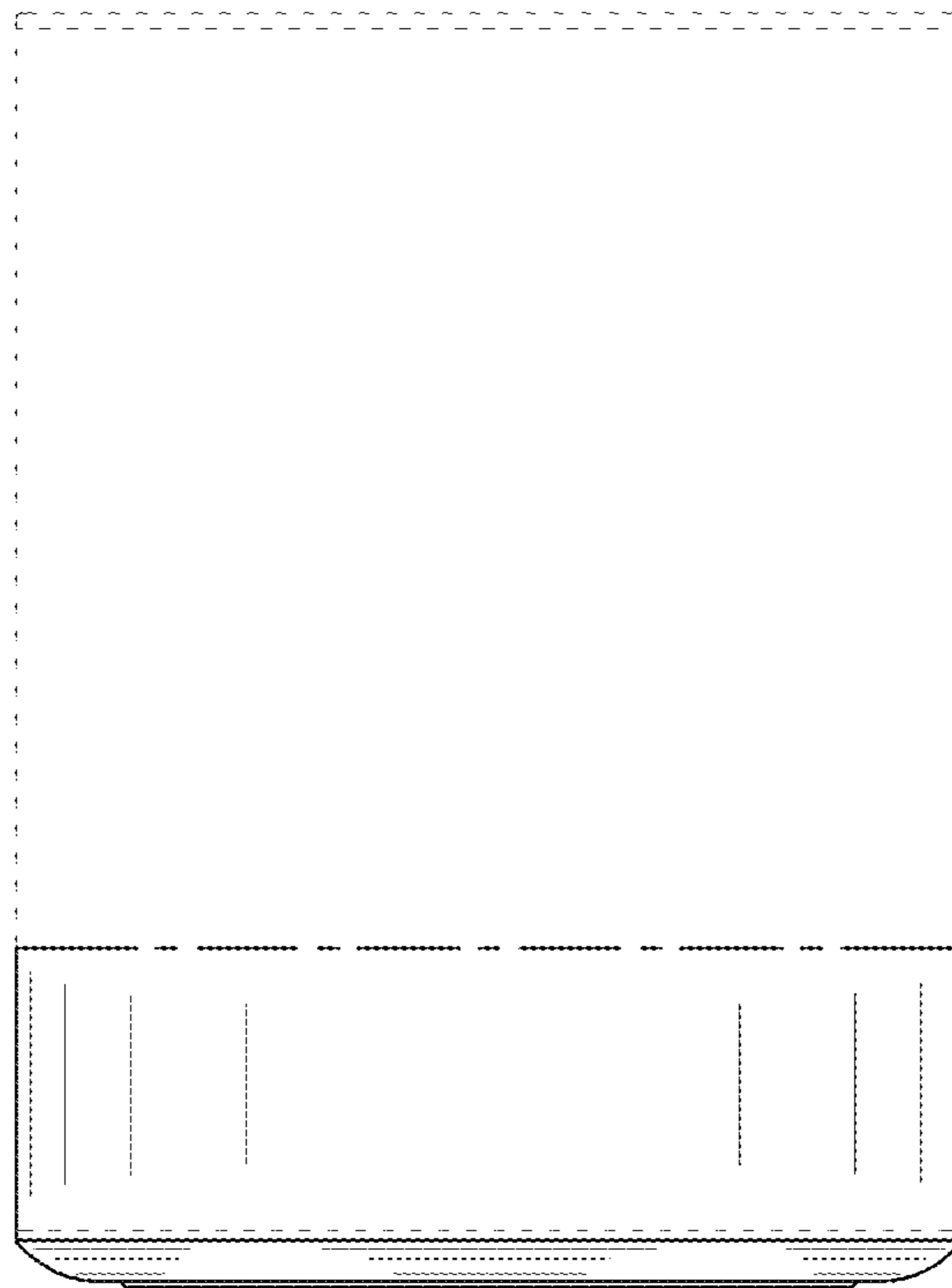


FIG. 22

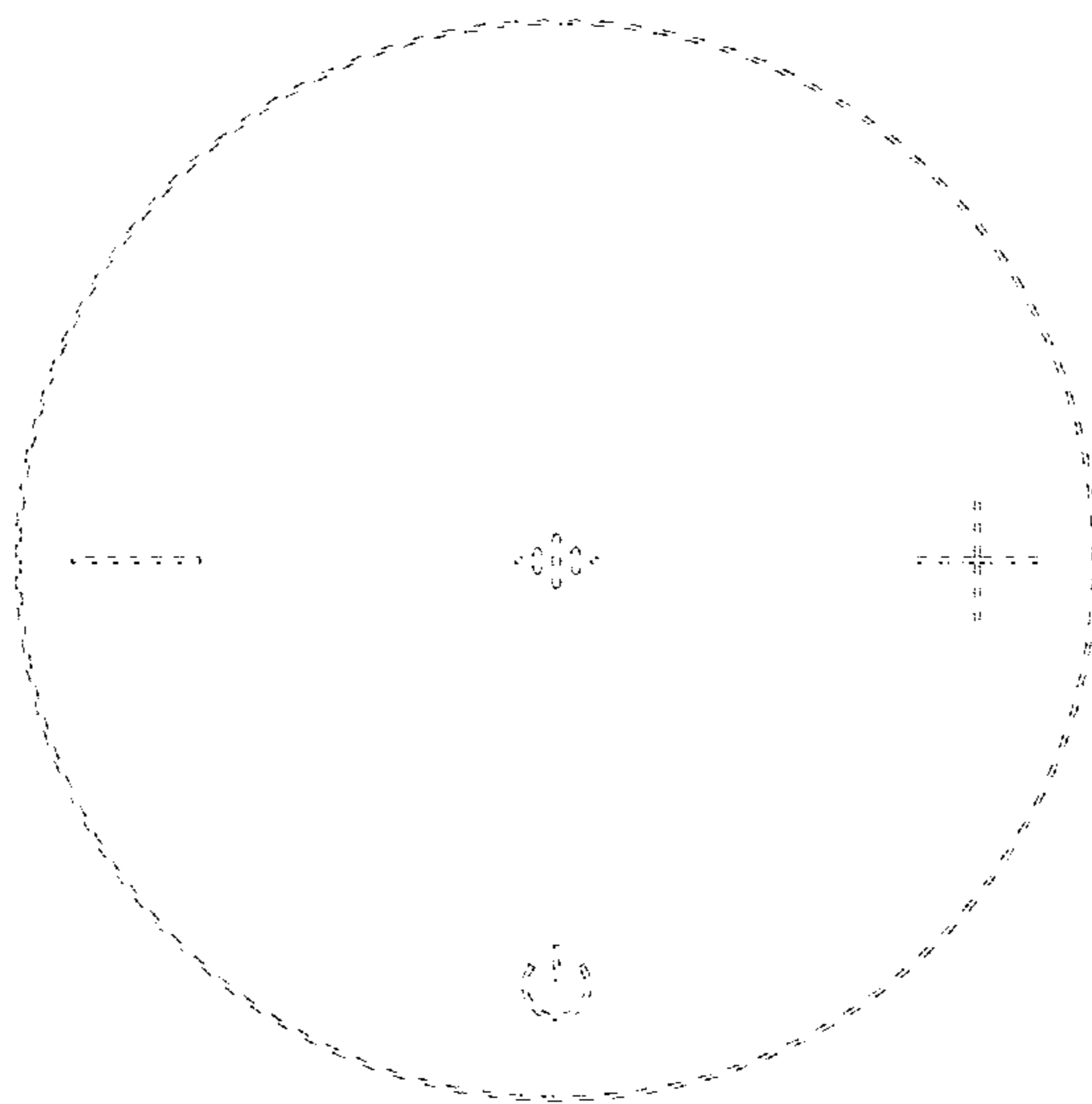




FIG. 23

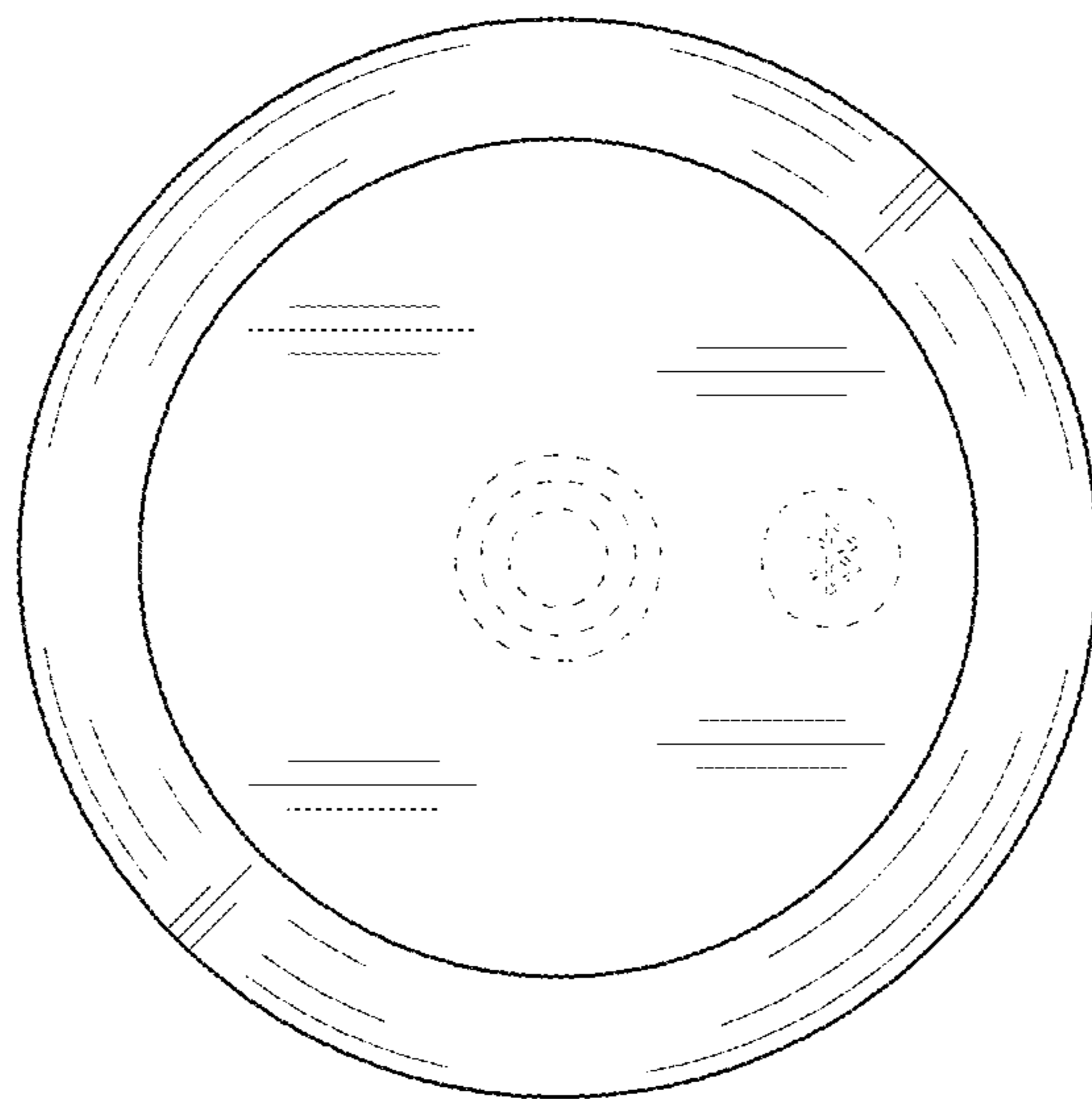


FIG. 24

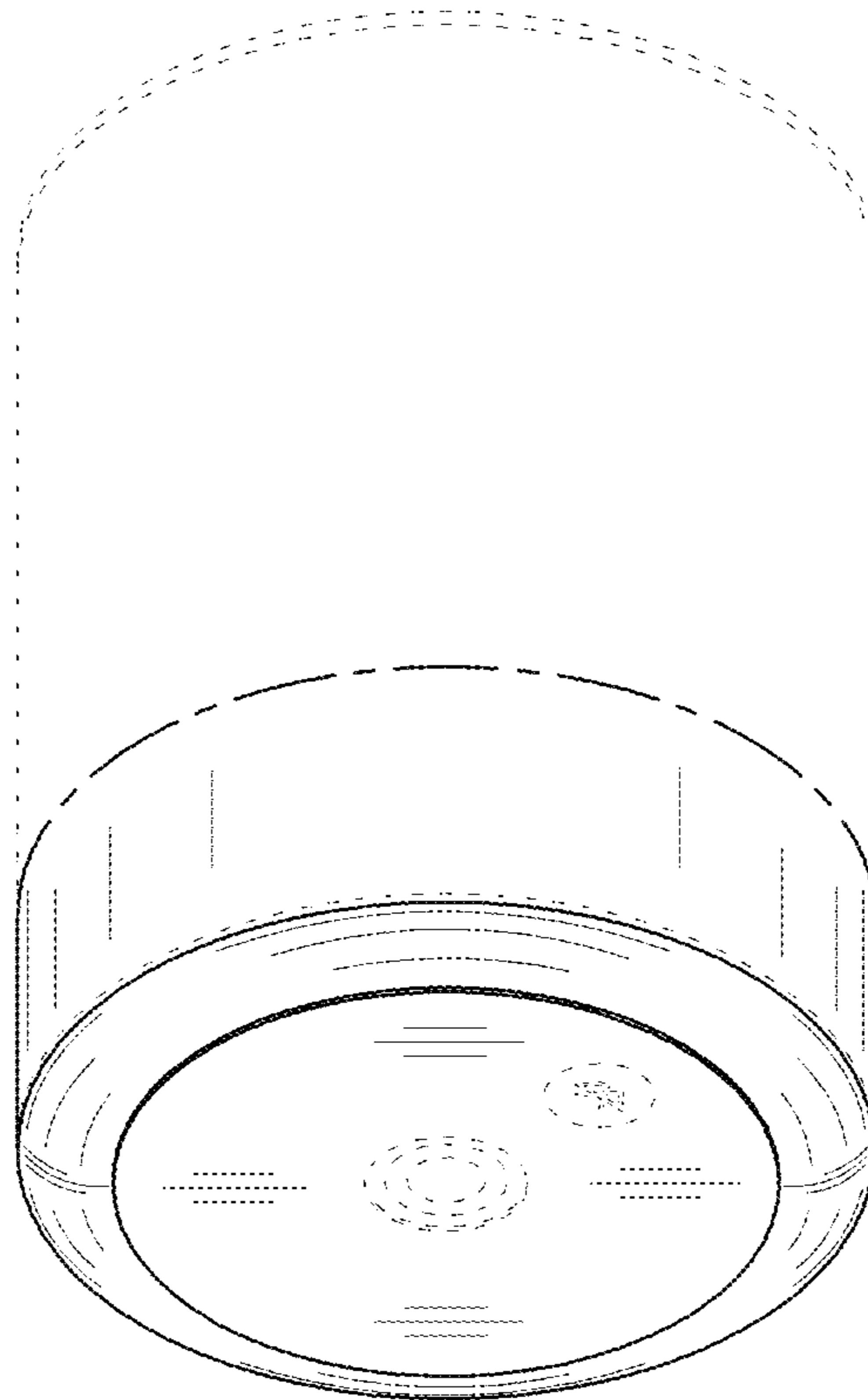


FIG. 25

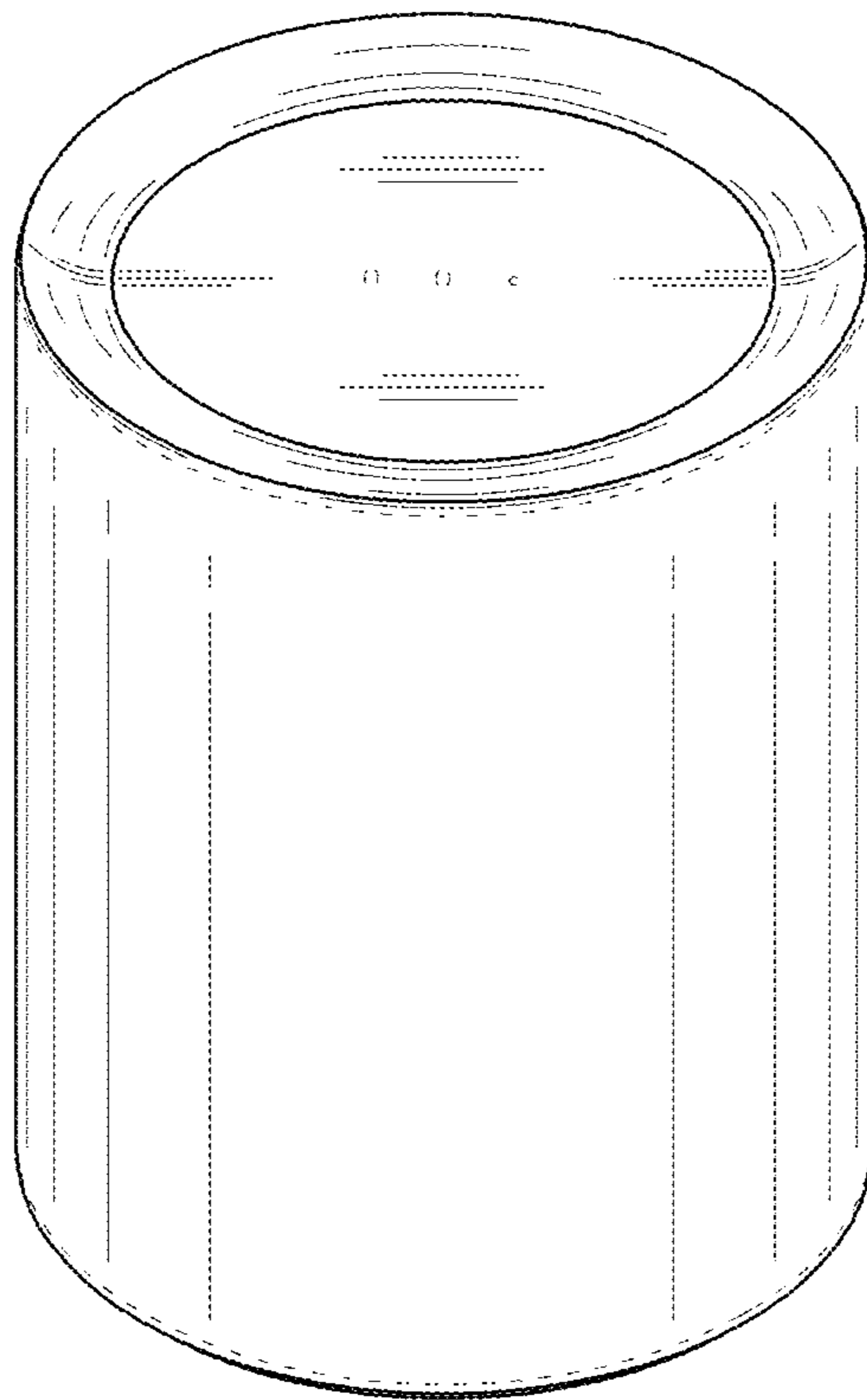


FIG. 26

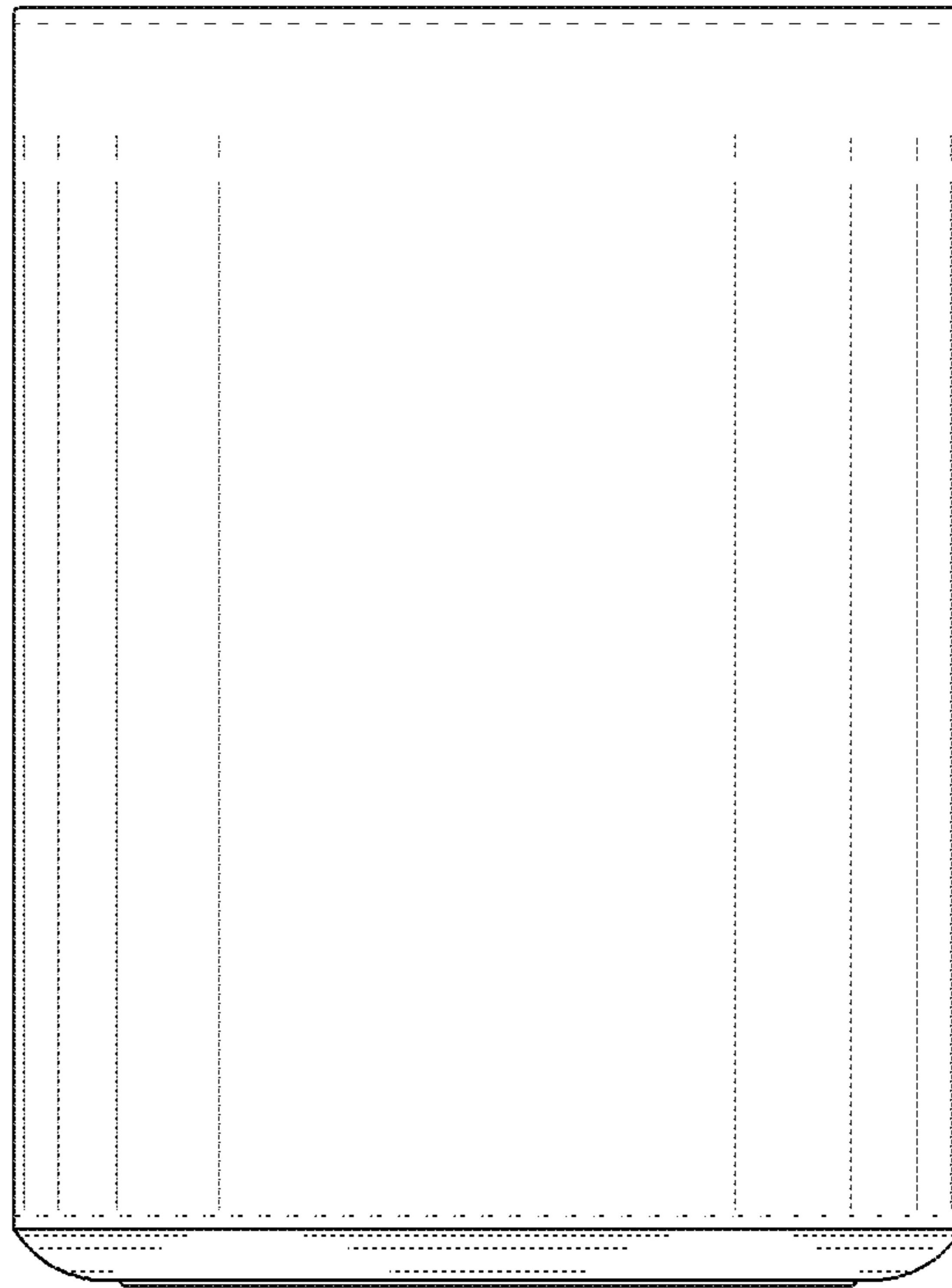


FIG. 27

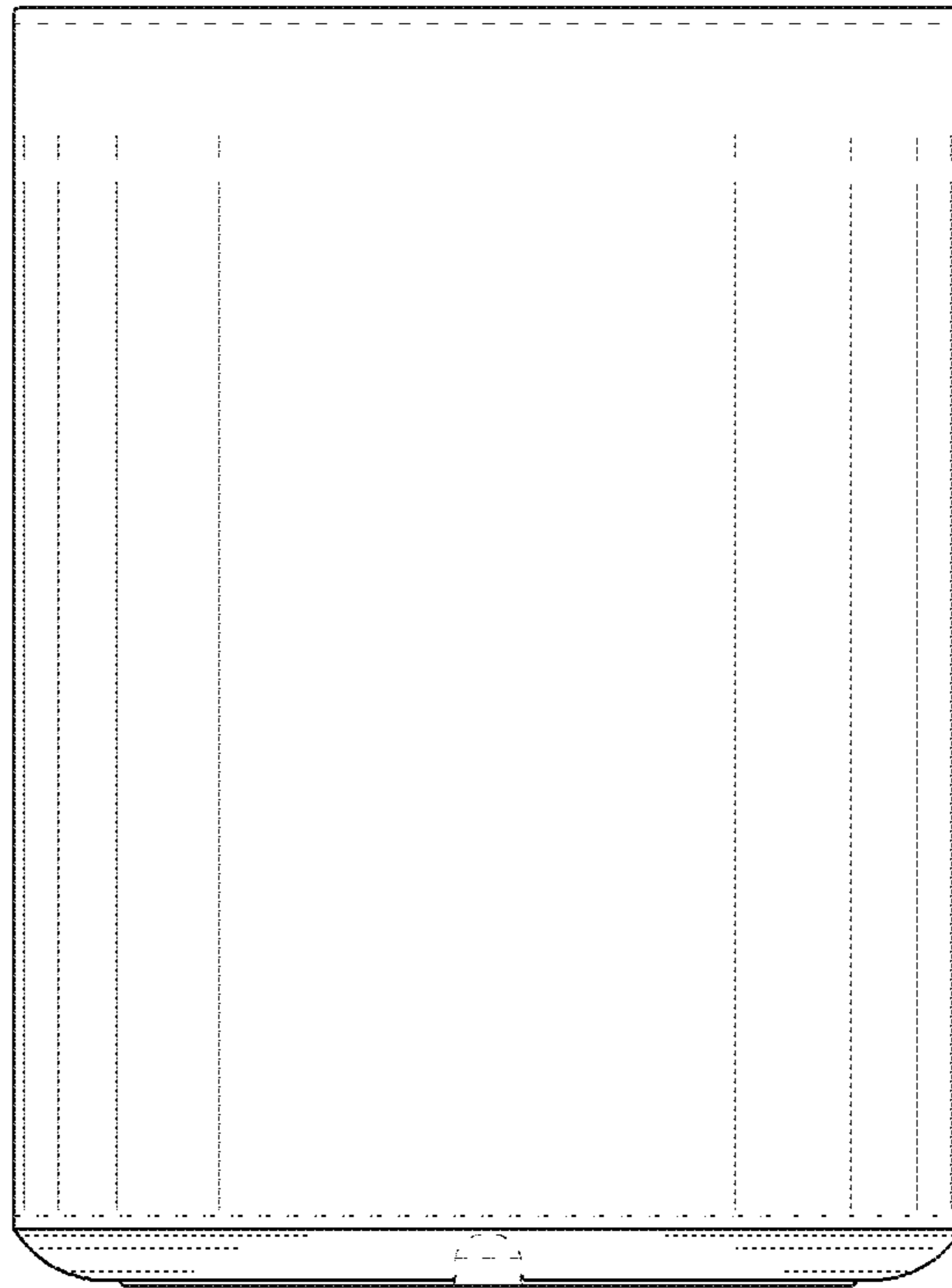


FIG. 28

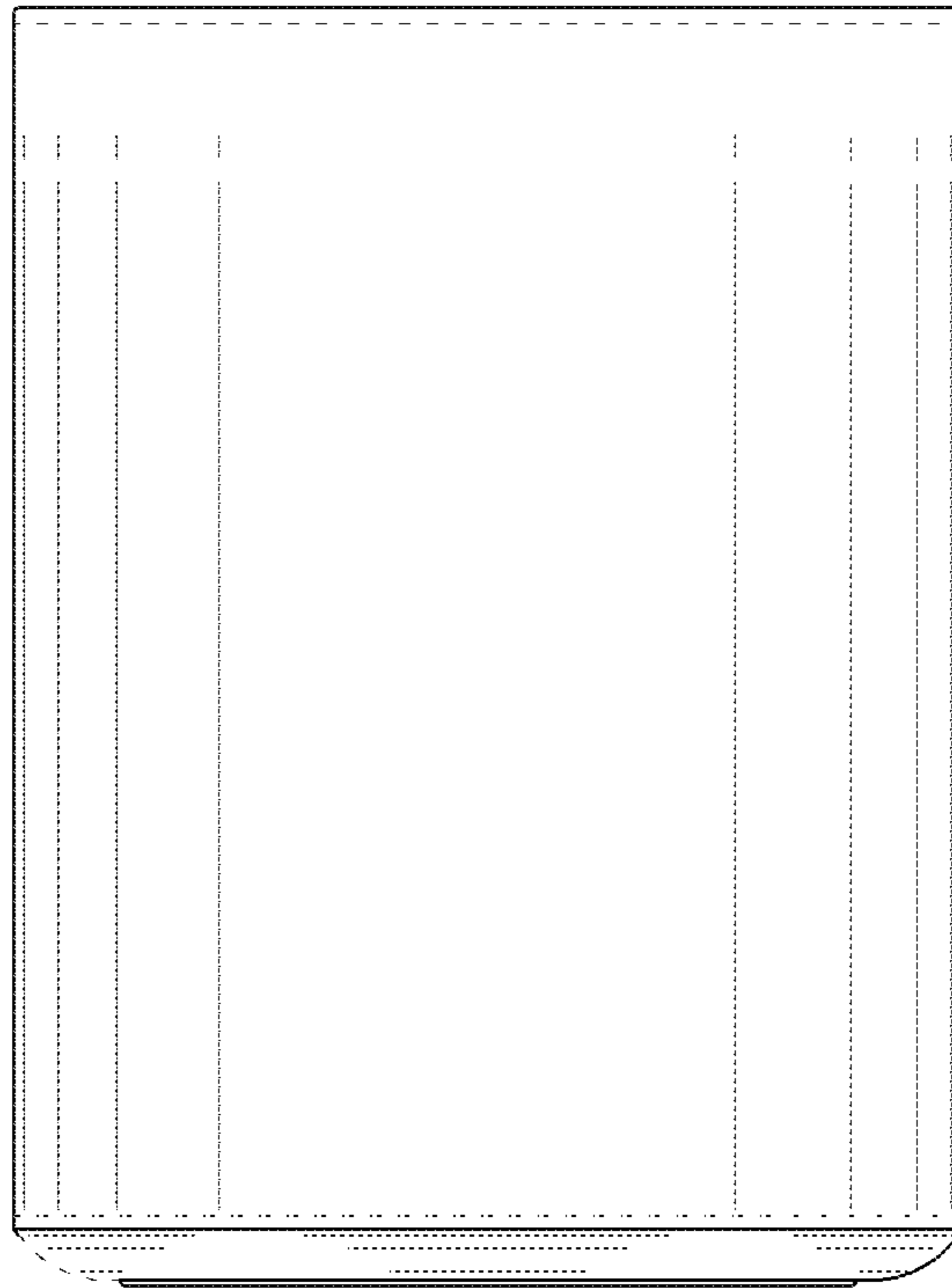


FIG. 29

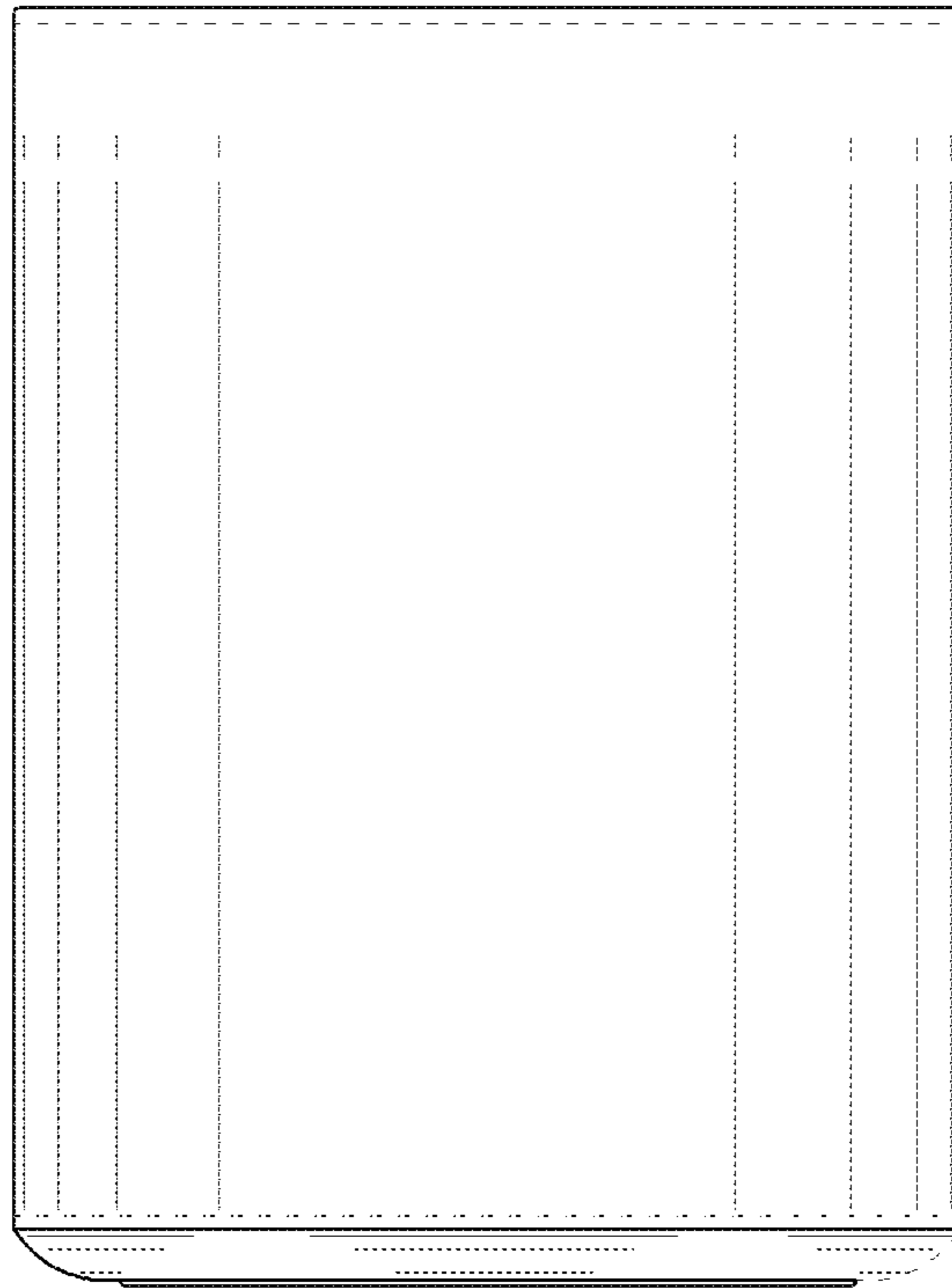


FIG. 30

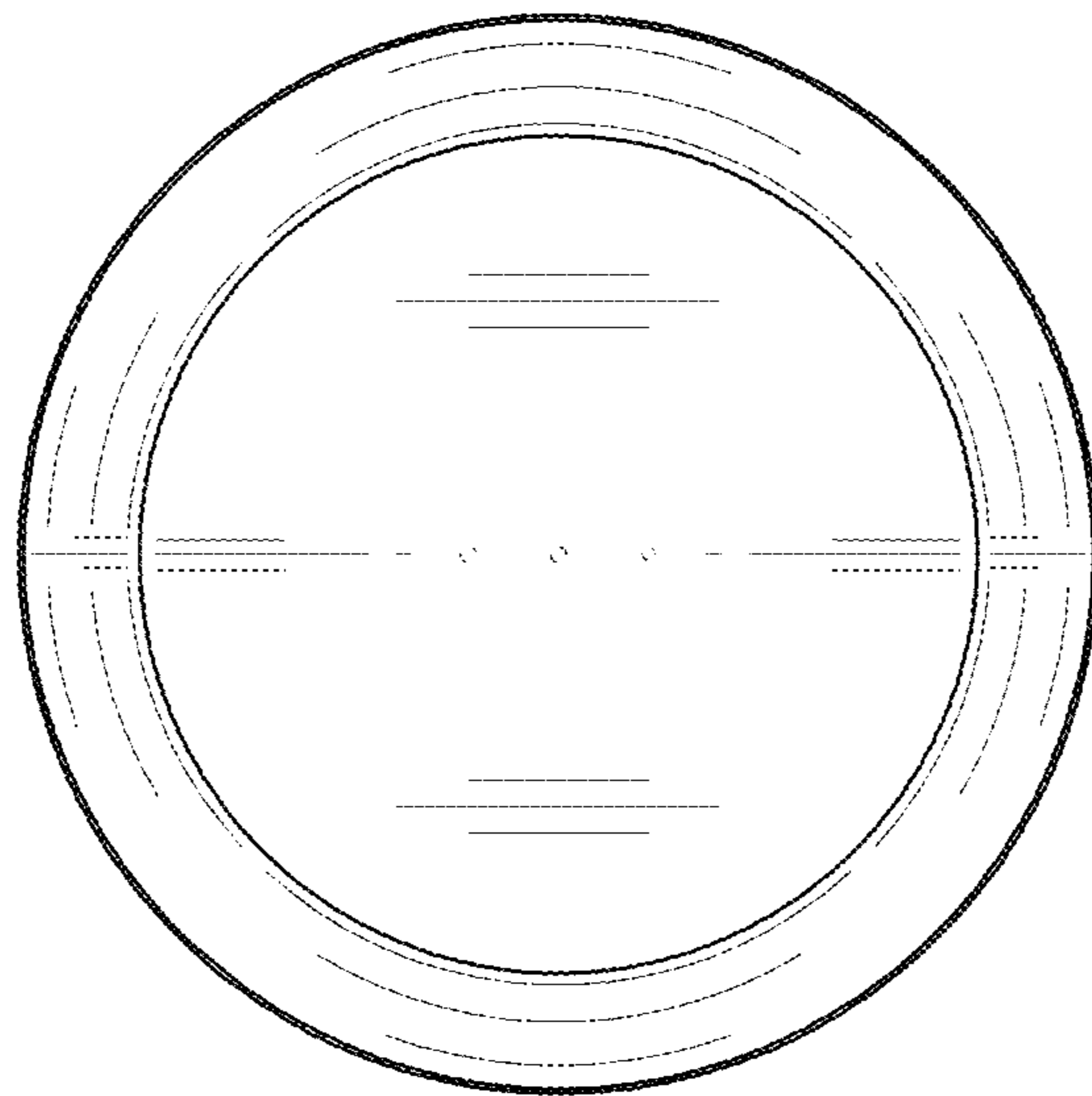




FIG. 31

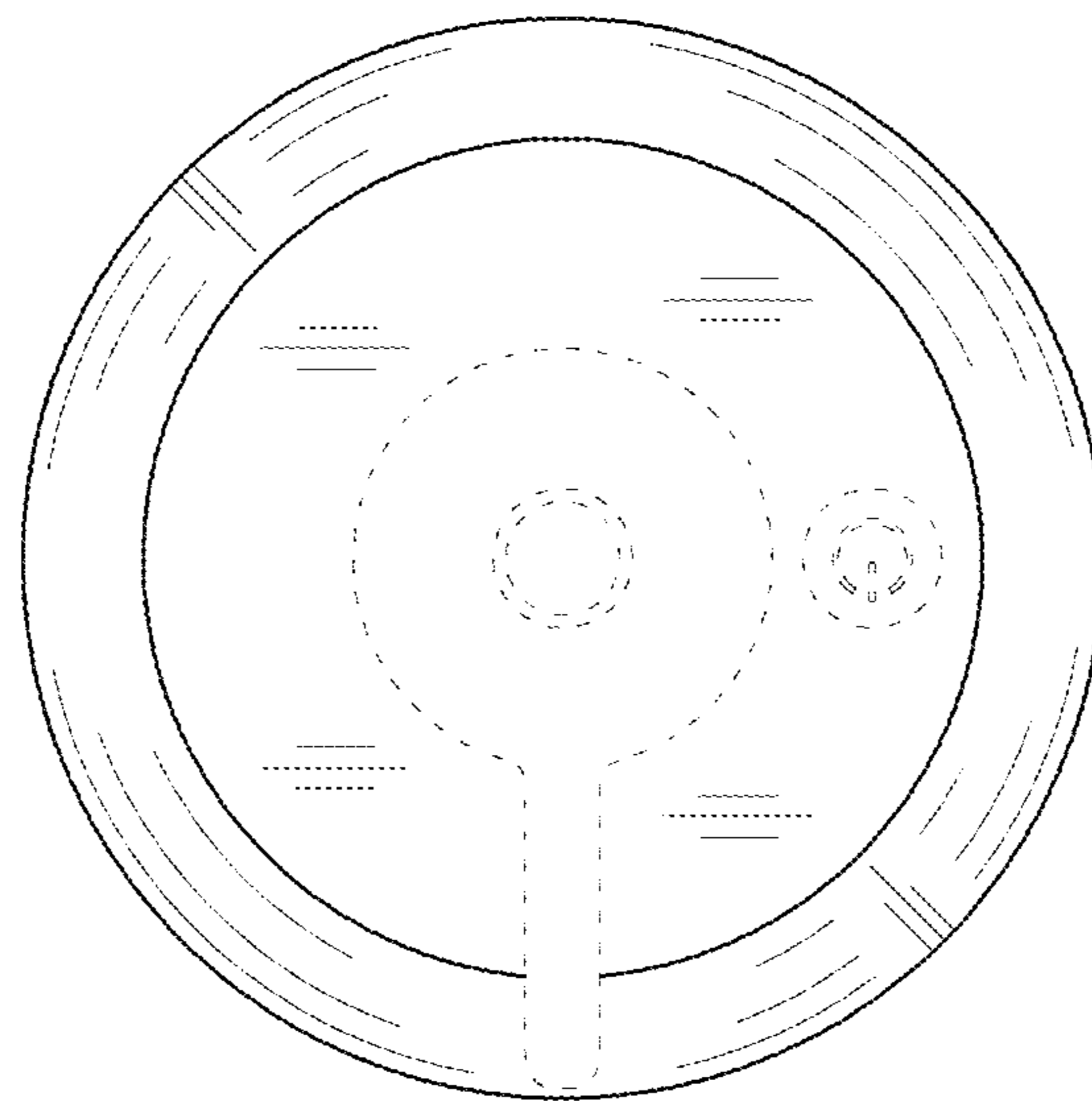


FIG. 32

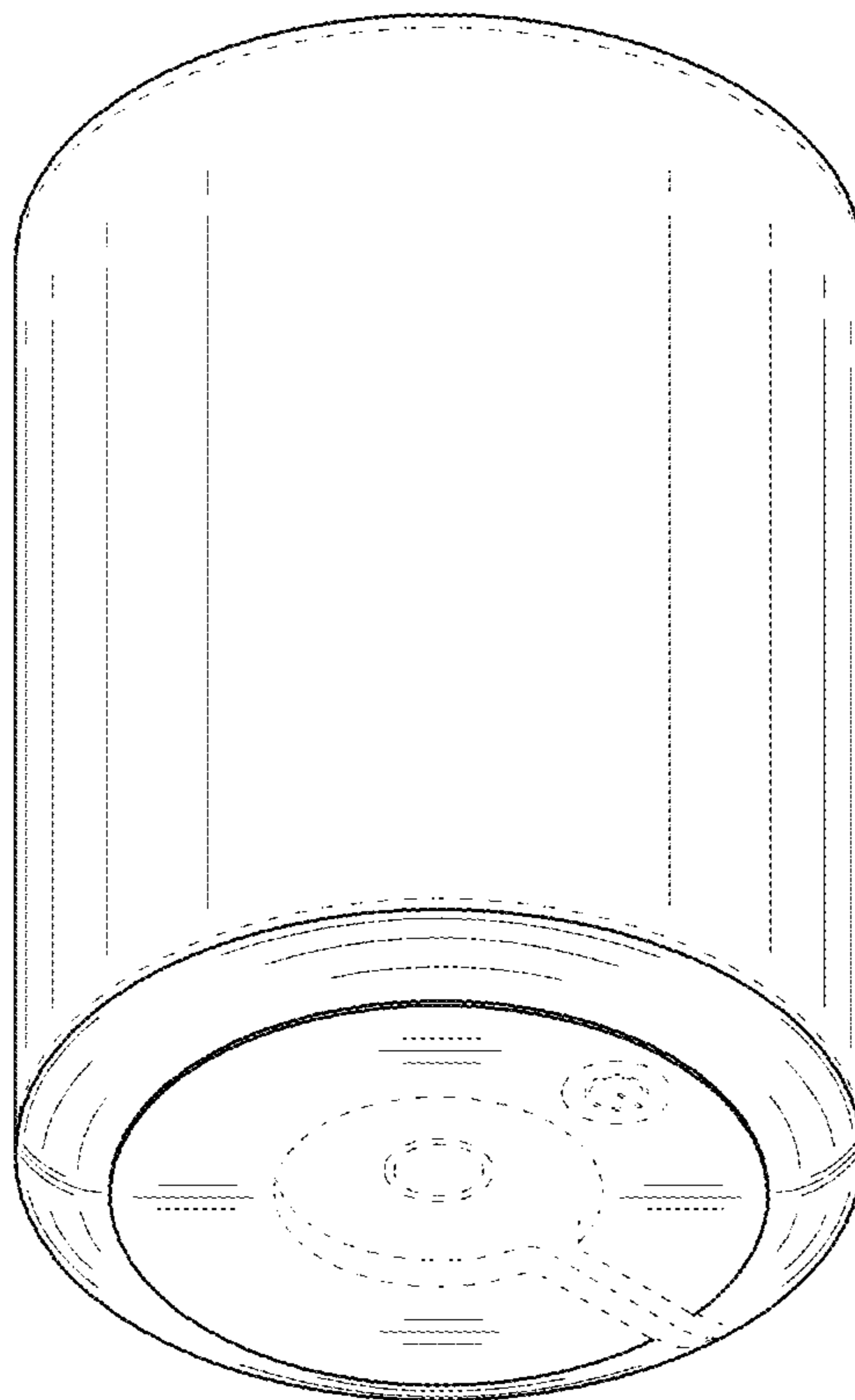


FIG. 33

