



US00D868735S

(12) **United States Design Patent** (10) **Patent No.:** **US D868,735 S**
Aicheng (45) **Date of Patent:** **** Dec. 3, 2019**

(54) **WIRELESS SPEAKER LAMP**
(71) Applicant: **Yin Aicheng**, Bao'an Dist. (CN)
(72) Inventor: **Yin Aicheng**, Bao'an Dist. (CN)
(**) Term: **15 Years**
(21) Appl. No.: **29/627,051**
(22) Filed: **Nov. 22, 2017**
(51) **LOC (12) Cl.** **14-01**
(52) **U.S. Cl.**
USPC **D14/207**
(58) **Field of Classification Search**
USPC D14/167, 168, 170-172, 188, 194-196,
D14/204, 209.1, 210-216, 219, 221, 222,
D14/224, 239, 496, 189, 207; D26/1-3,
D26/41, 50-52
CPC B60R 11/0217; G06F 1/1688; G10K 9/22;
G10K 11/004; H03F 1/327; H04M 1/03;
H04M 1/035; H04N 5/642; H04N
21/4852; H04R 1/02; H04R 1/06; H04R
1/021; H04R 1/025; H04R 1/026; H04R
1/028; H04R 1/105; H04R 1/323; H04R
1/403; H04R 1/2803; H04R 1/2834;
H04R 5/02; H04R 7/20; H04R 9/06;
H04R 9/025; H04R 2201/021; H04R
2400/00; H04R 2400/07; H04R 2499/11;
H04R 2499/13; H04R 2499/15; H04S
3/00; H04S 7/30
See application file for complete search history.

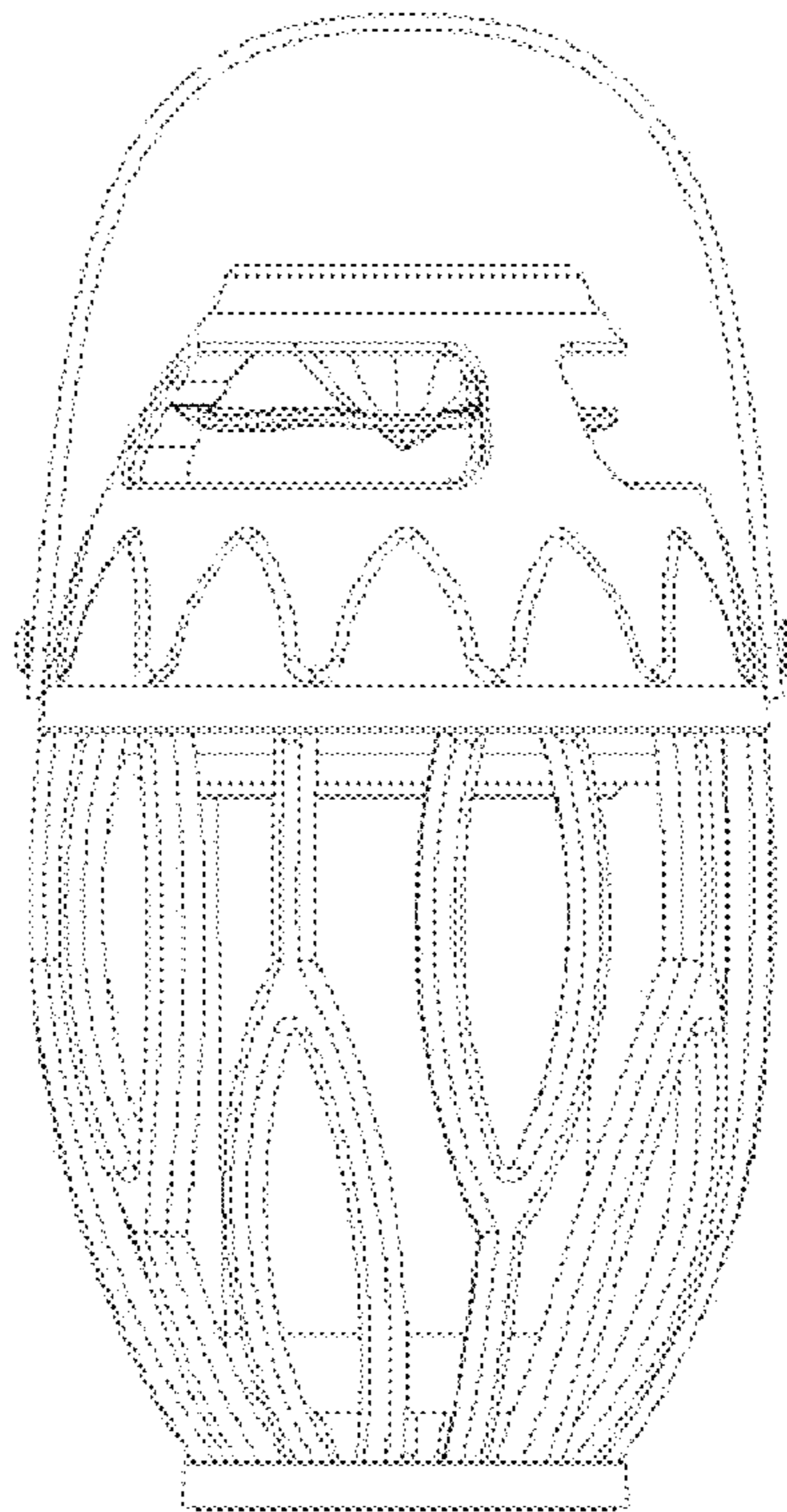
(56) **References Cited**
U.S. PATENT DOCUMENTS
D139,756 S * 12/1944 Hoffman D26/119
D717,769 S * 11/2014 Wong D14/216
D766,878 S * 9/2016 Park D14/216
D773,704 S * 12/2016 Pardo D26/41
D823,833 S * 7/2018 Shiono D14/216
D840,967 S * 2/2019 Pestl D14/204
D844,205 S * 3/2019 Finch D26/52
D845,527 S * 4/2019 Hsu D26/41
D847,115 S * 4/2019 Li D14/204
* cited by examiner

Primary Examiner — Keli L Hill
(74) *Attorney, Agent, or Firm* — Pasadena Legal Group;
Norman R. Van Treeck

(57) **CLAIM**
The ornamental design of a wireless speaker lamp, as shown
and described.

DESCRIPTION
FIG. 1 is a front view of a wireless speaker lamp, embodying
my new design;
FIG. 2 is a top plan view thereof;
FIG. 3 is a right side elevation view thereof;
FIG. 4 is a bottom plan view thereof;
FIG. 5 is a left side elevation view thereof; and,
FIG. 6 is a rear elevation view thereof.

1 Claim, 6 Drawing Sheets



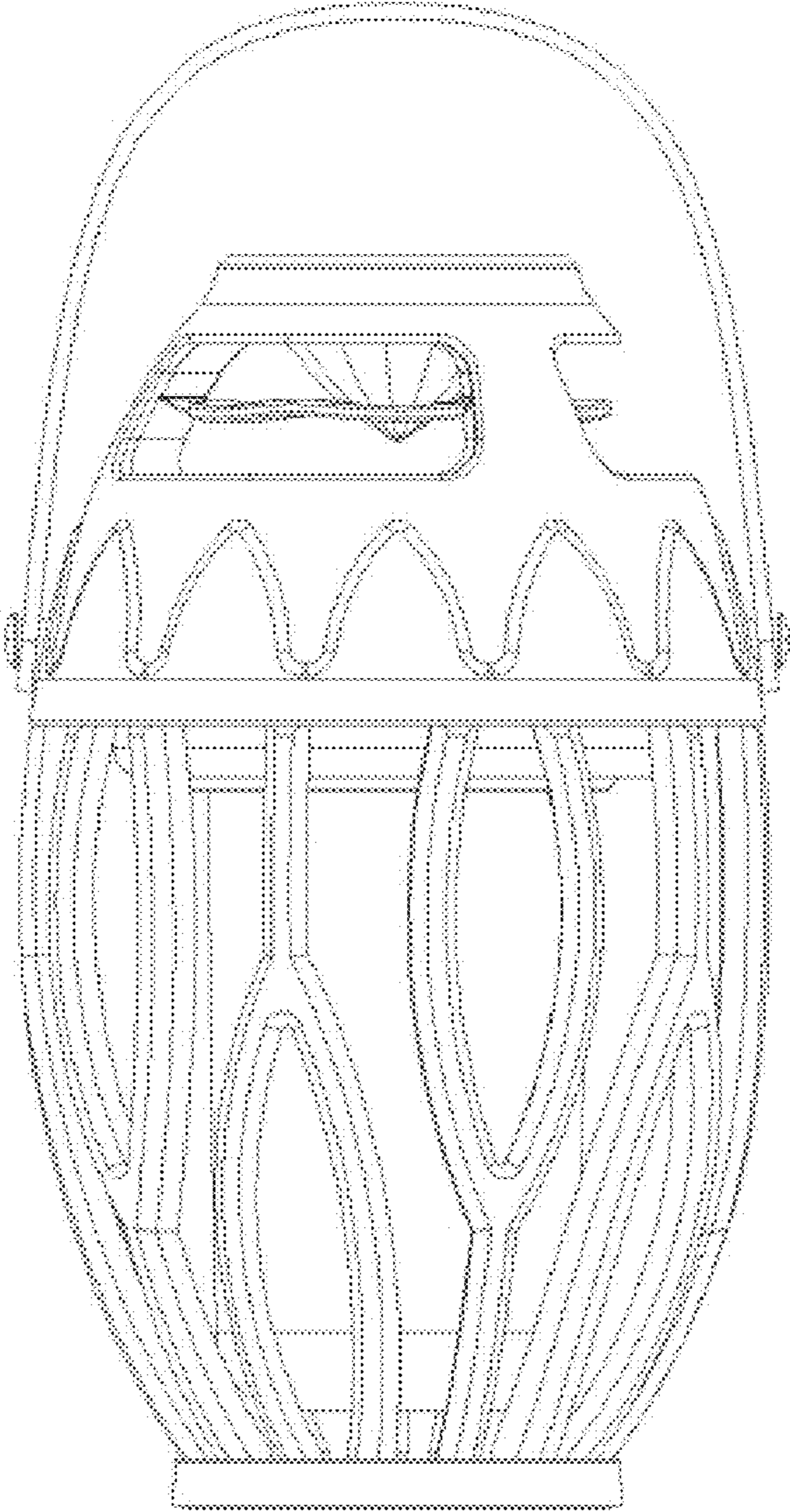


Figure 1

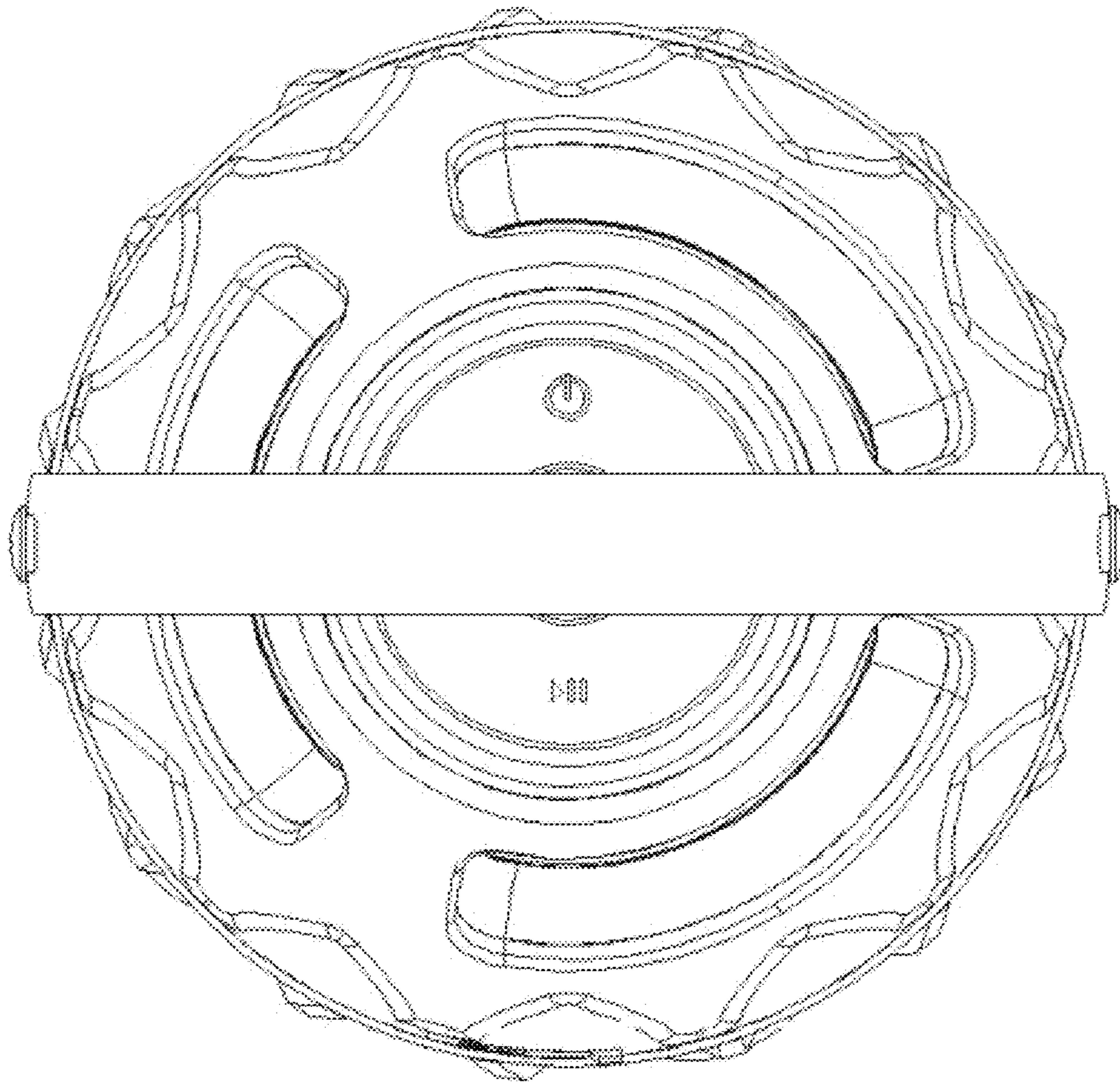


Figure 2

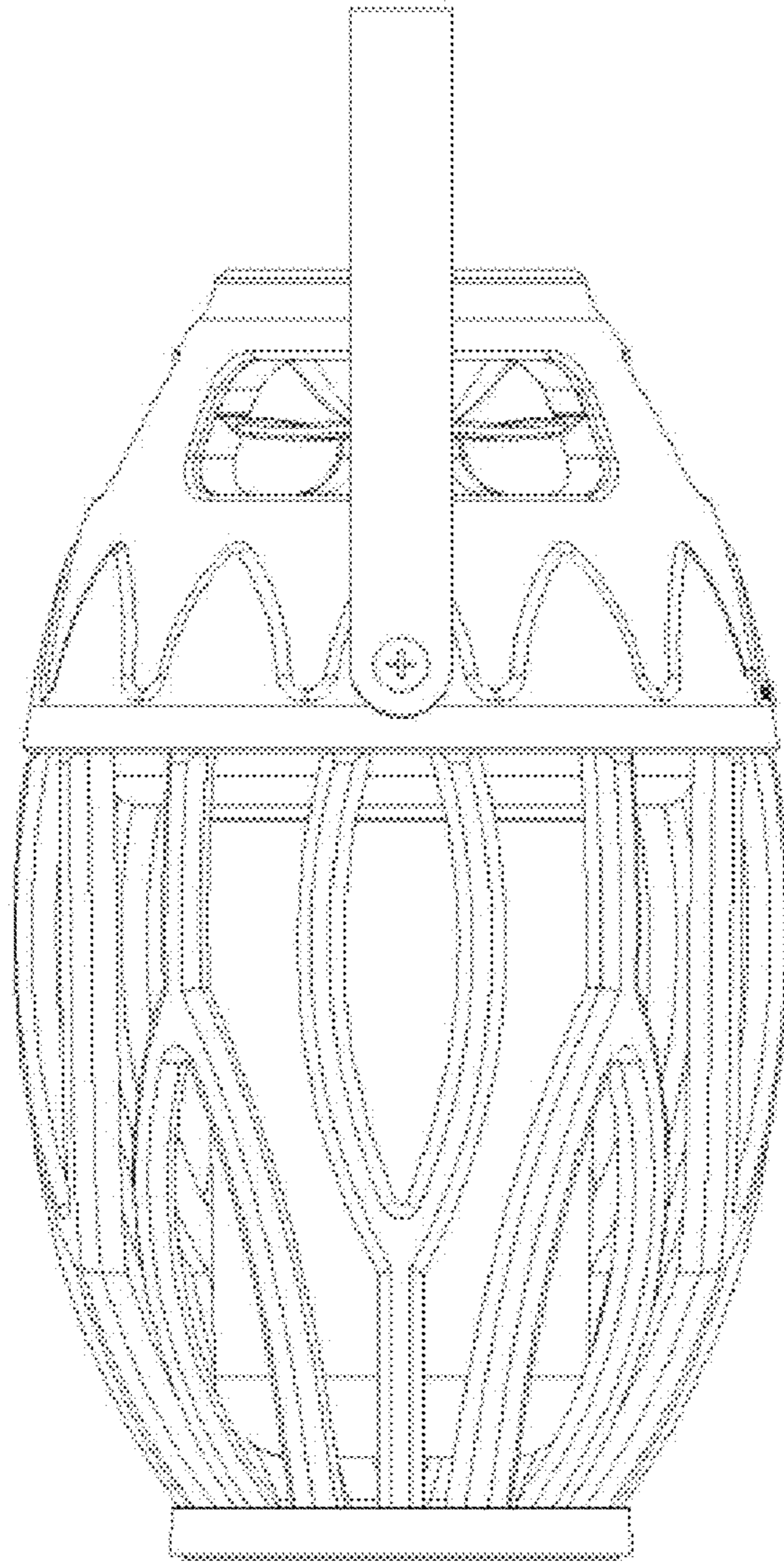


Figure 3

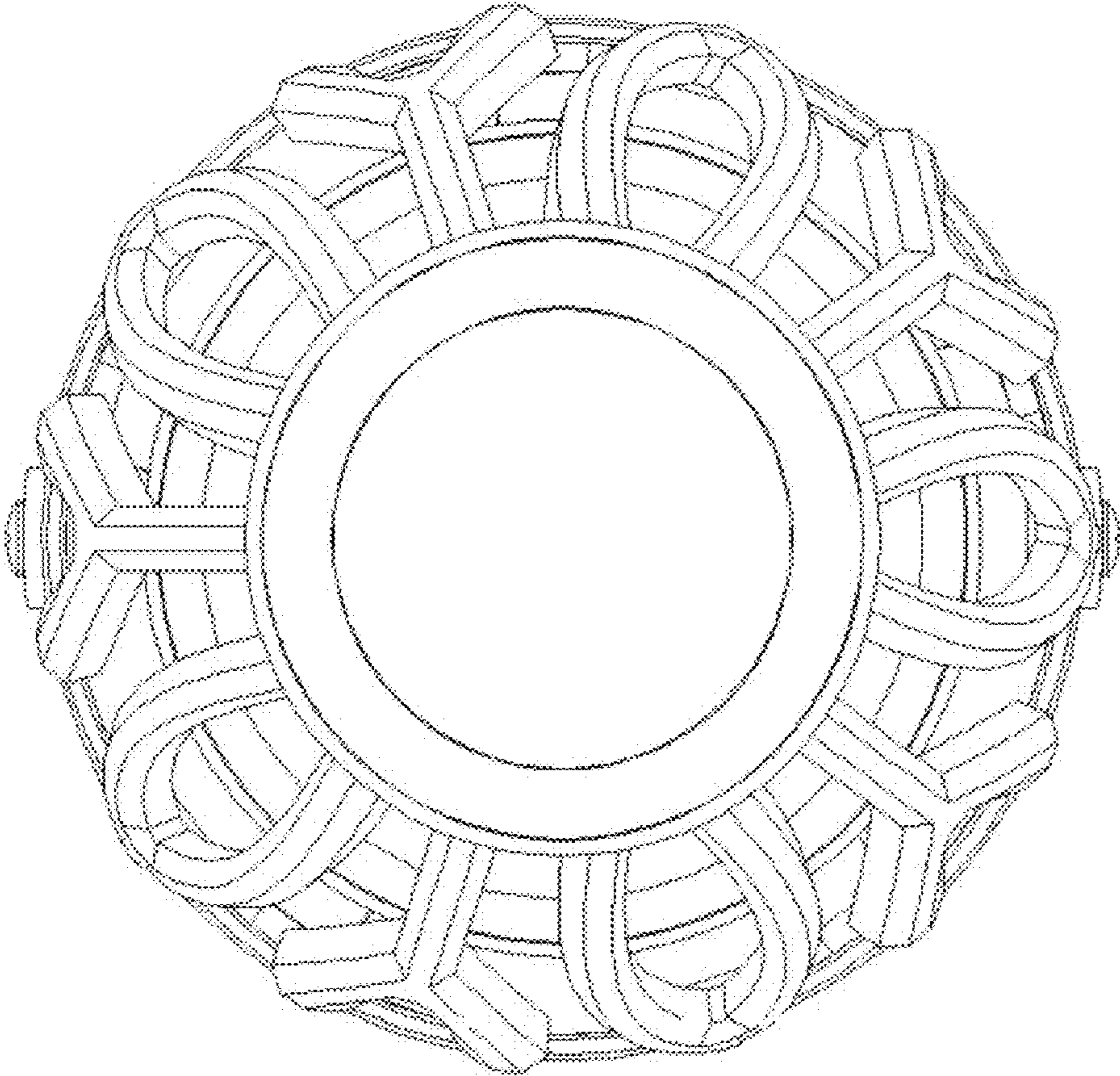


Figure 4

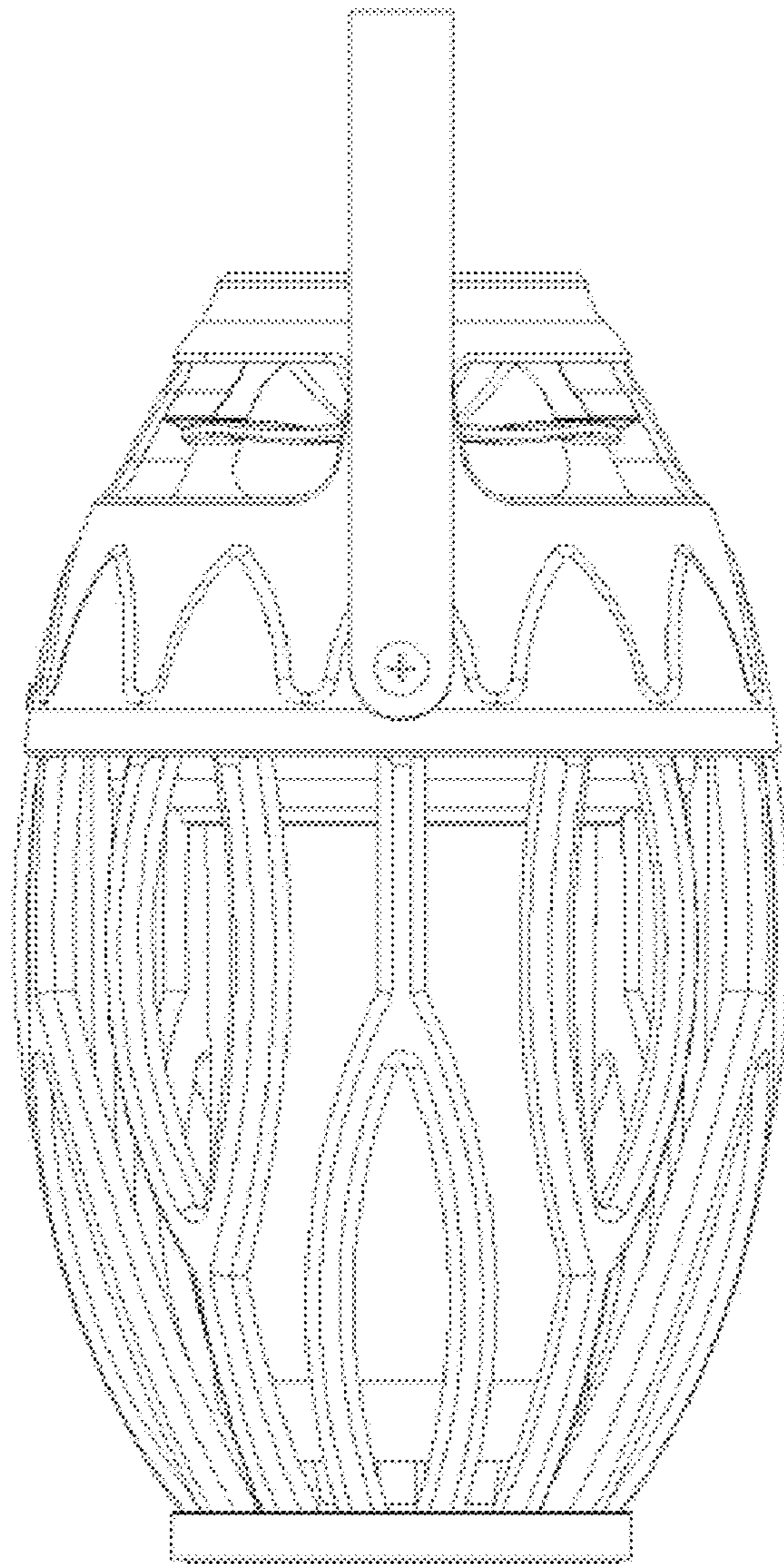


Figure 5

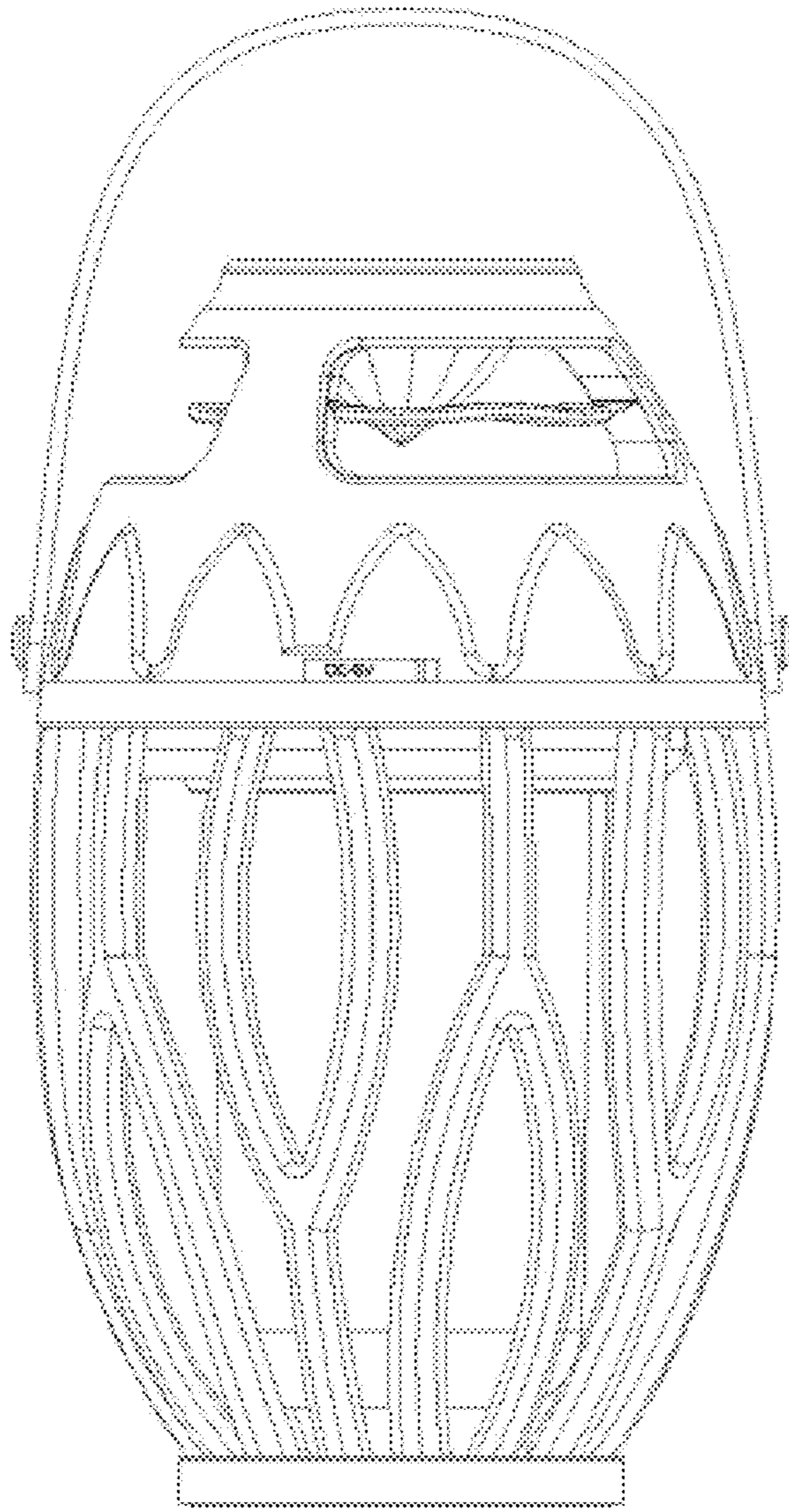


Figure 6