



US00D868734S

(12) **United States Design Patent**
Wang

(10) **Patent No.:** **US D868,734 S**

(45) **Date of Patent:** **** Dec. 3, 2019**

(54) **GAMING HEADSET**

(71) Applicant: **Zhaoxia Wang**, Henan (CN)

(72) Inventor: **Zhaoxia Wang**, Henan (CN)

(**) Term: **15 Years**

(21) Appl. No.: **29/612,810**

(22) Filed: **Aug. 4, 2017**

(51) **LOC (12) Cl.** **14-01**

(52) **U.S. Cl.**

USPC **D14/206**; D14/226

(58) **Field of Classification Search**

USPC D14/206, 205, 225, 226, 188, 192, 372;
D29/112; 2/209; 345/7, 8, 9; 181/129,
181/130, 135; 379/430, 431; 381/380,
381/381, 370, 375, 374, 382, 183;
455/90.3, 575.1, 569.1

CPC H04R 1/1066; H04R 1/1016; H04R 25/00;
H04R 1/105; H04R 5/033; H04R 5/0335;
H04R 1/1091; H04R 1/1058; G02B
27/017; G09G 5/00

See application file for complete search history.

(56) **References Cited**

U.S. PATENT DOCUMENTS

3,488,457	A *	1/1970	Lahti	H04R 1/1008	381/371
D233,444	S *	10/1974	Christian	D14/206	
D254,183	S *	2/1980	Doodson	D14/205	
4,754,484	A *	6/1988	Larkin	H04M 1/05	379/419
D299,337	S *	1/1989	Wiegel	D14/206	
D302,429	S *	7/1989	Leer	D14/137	
5,708,725	A *	1/1998	Ito	H04R 1/1041	381/370
D395,894	S *	7/1998	Hem	D14/227	
5,793,878	A *	8/1998	Chang	H04R 5/0335	381/370

5,841,858	A *	11/1998	Frierson	H04M 1/0202	379/430
D404,035	S *	1/1999	Delazzer	D14/205	
5,960,094	A *	9/1999	Jensen	H04M 1/05	381/374
D431,550	S *	10/2000	Yoneda	D14/205	
D447,472	S *	9/2001	McGugan	D14/225	
6,295,366	B1 *	9/2001	Haller	H04R 5/0335	379/430
D449,040	S *	10/2001	Weikel	D14/227	
D457,155	S *	5/2002	Skulley	D14/206	
6,678,897	B2 *	1/2004	Lindgren	A61F 11/14	181/129
D497,357	S *	10/2004	Allum	D14/206	
D505,413	S *	5/2005	Skulley	D14/223	
D508,483	S *	8/2005	Suzuki	D14/205	
D514,087	S *	1/2006	Wilson	D14/206	
D517,527	S *	3/2006	Suzuki	D14/205	
D517,528	S *	3/2006	Skulley	D14/206	
D518,479	S *	4/2006	Skulley	D14/225	
D531,165	S *	10/2006	Rath	D14/206	

(Continued)

Primary Examiner — Paula Allen Greene

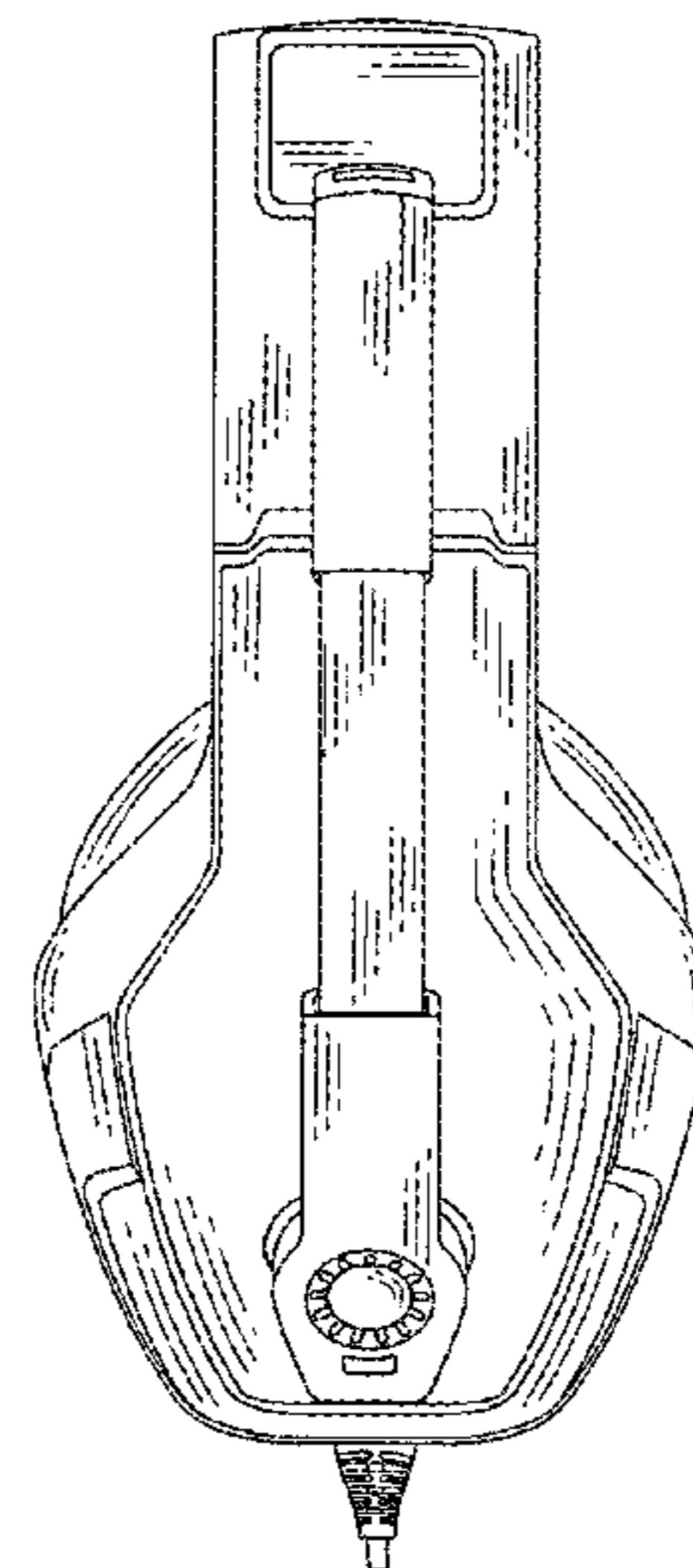
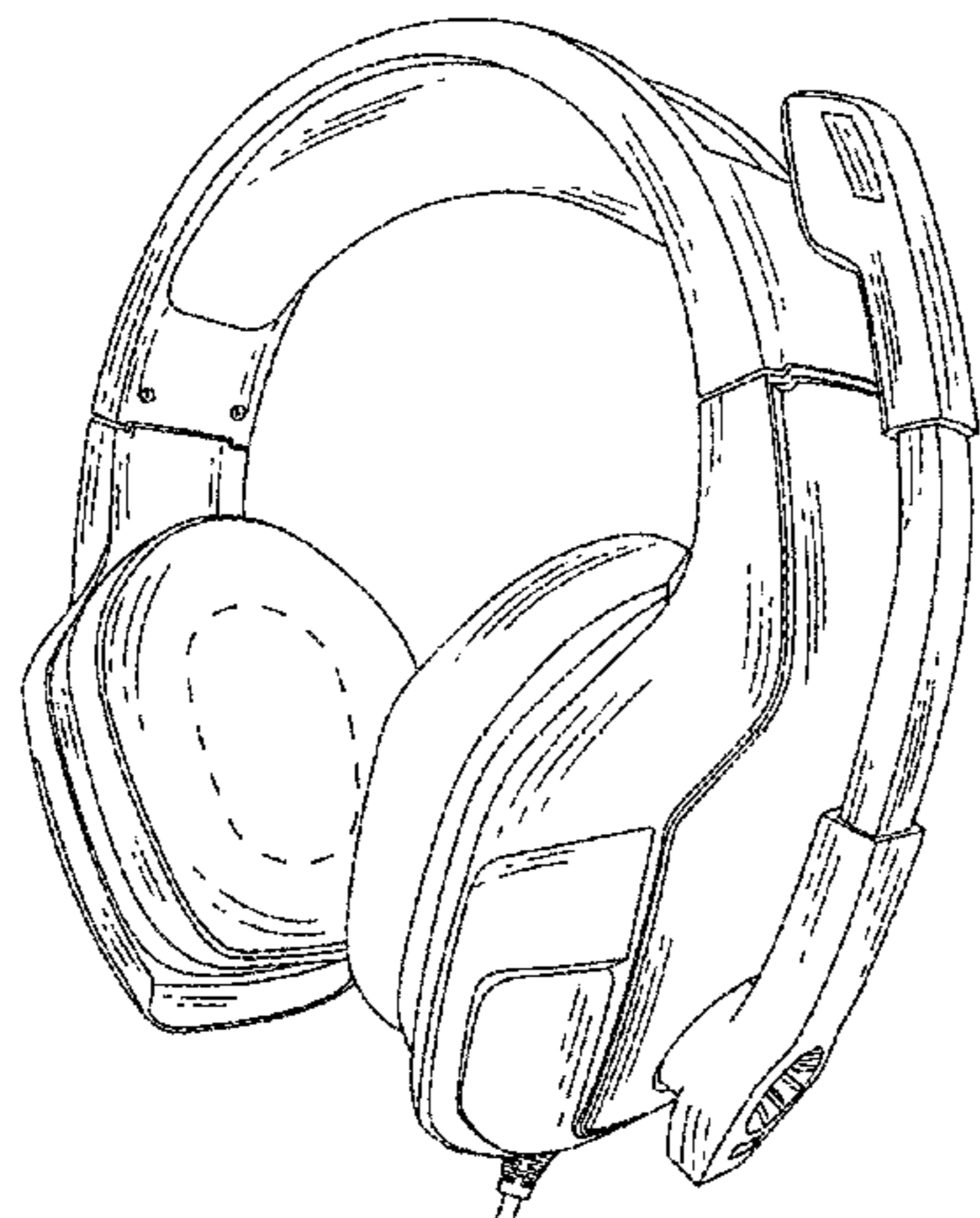
(57) **CLAIM**

The ornamental design for a gaming headset, as shown and described.

DESCRIPTION

FIG. 1 is a perspective view of a gaming headset showing my new design, the opposite front face of the gaming headset ear cup is a mirror image;
FIG. 2 is a front elevational view thereof;
FIG. 3 is a rear elevational view thereof;
FIG. 4 is a left side elevational view thereof;
FIG. 5 is a right side elevational view thereof;
FIG. 6 is a top plan view thereof; and,
FIG. 7 is a bottom plan view thereof.
The broken lines depict environment that forms no part of the claimed design.

1 Claim, 7 Drawing Sheets



(56)

References Cited

U.S. PATENT DOCUMENTS

D540,303 S * 4/2007 Rausch D14/205
 D542,774 S * 5/2007 Rausch D14/206
 D549,688 S * 8/2007 Suzuki D14/205
 D589,492 S * 3/2009 Mistry D14/205
 D600,674 S * 9/2009 Brennwald D14/205
 D602,002 S * 10/2009 Asai D14/206
 D604,266 S * 11/2009 Milde D14/205
 D638,397 S * 5/2011 McManigal D14/205
 D641,725 S * 7/2011 Chong D14/205
 D641,727 S * 7/2011 Krauss D14/206
 D652,017 S * 1/2012 Groves D14/206
 D654,472 S * 2/2012 Fischer D14/206
 8,139,807 B2 * 3/2012 Reiss H04R 1/1083
 381/371
 D662,490 S * 6/2012 McSweyn D14/205
 D666,993 S * 9/2012 Kelley D14/205
 D672,745 S * 12/2012 Abed D14/205
 D673,522 S * 1/2013 Iijima D14/205
 D673,524 S * 1/2013 Brennwald D14/206
 D689,464 S * 9/2013 Bonahoom D14/206
 D690,284 S * 9/2013 Brennwald D14/205
 D691,111 S * 10/2013 Lee D14/206
 D699,216 S * 2/2014 Bonahoom D14/205
 8,767,996 B1 * 7/2014 Lin H04R 1/1091
 381/380

D723,508 S * 3/2015 Garland D14/205
 D723,509 S * 3/2015 Garland D14/205
 D724,561 S * 3/2015 Ko D14/205
 D727,278 S * 4/2015 Solomon D14/205
 9,036,849 B2 * 5/2015 Thompson H04R 1/083
 381/122
 D733,677 S * 7/2015 Ling D14/206
 D734,736 S * 7/2015 Jin D14/206
 D739,843 S * 9/2015 Daniel D14/205
 D741,286 S * 10/2015 Brennwald D14/205
 D745,859 S * 12/2015 Kiuchi D14/205
 D746,793 S * 1/2016 Logan D14/206
 D766,207 S * 9/2016 Paterson D14/205
 D766,208 S * 9/2016 Paterson D14/205
 D769,219 S * 10/2016 Ohmachi D14/205
 D778,258 S * 2/2017 Hsu D14/205
 D788,071 S * 5/2017 Logan D14/205
 D791,734 S * 7/2017 Ou D14/206
 D808,359 S * 1/2018 Meyer D14/205
 D815,614 S * 4/2018 Tzeng D14/205
 D820,813 S * 6/2018 Sharp D14/206
 D824,360 S * 7/2018 Hsieh D14/205
 2010/0040252 A1 * 2/2010 Thompson H04R 1/083
 381/375
 2011/0135134 A1 * 6/2011 Essabar H04R 1/1025
 381/374
 2011/0194721 A1 * 8/2011 Schmidt H04R 1/1066
 381/370

* cited by examiner

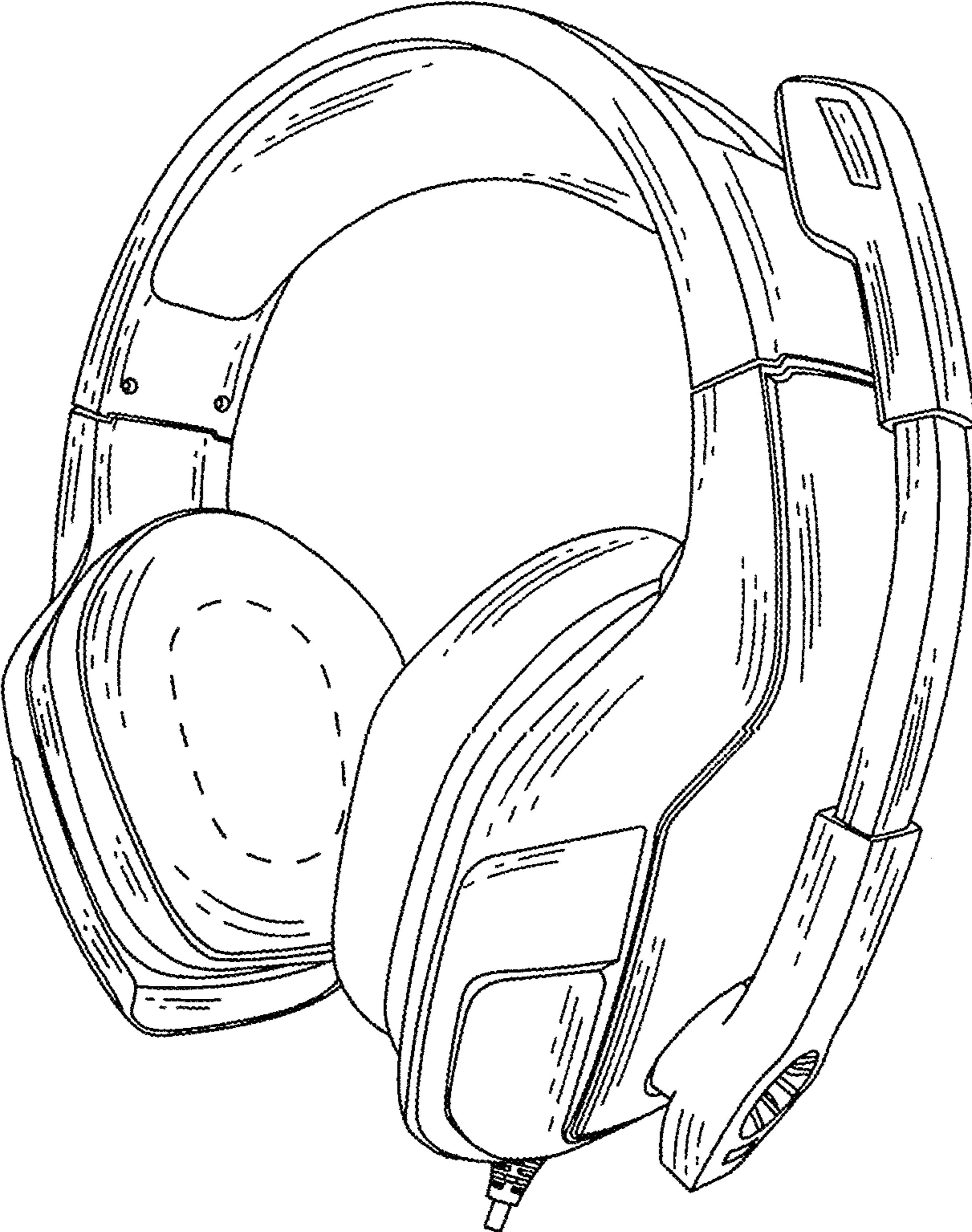


FIG. 1



FIG. 2



FIG. 3

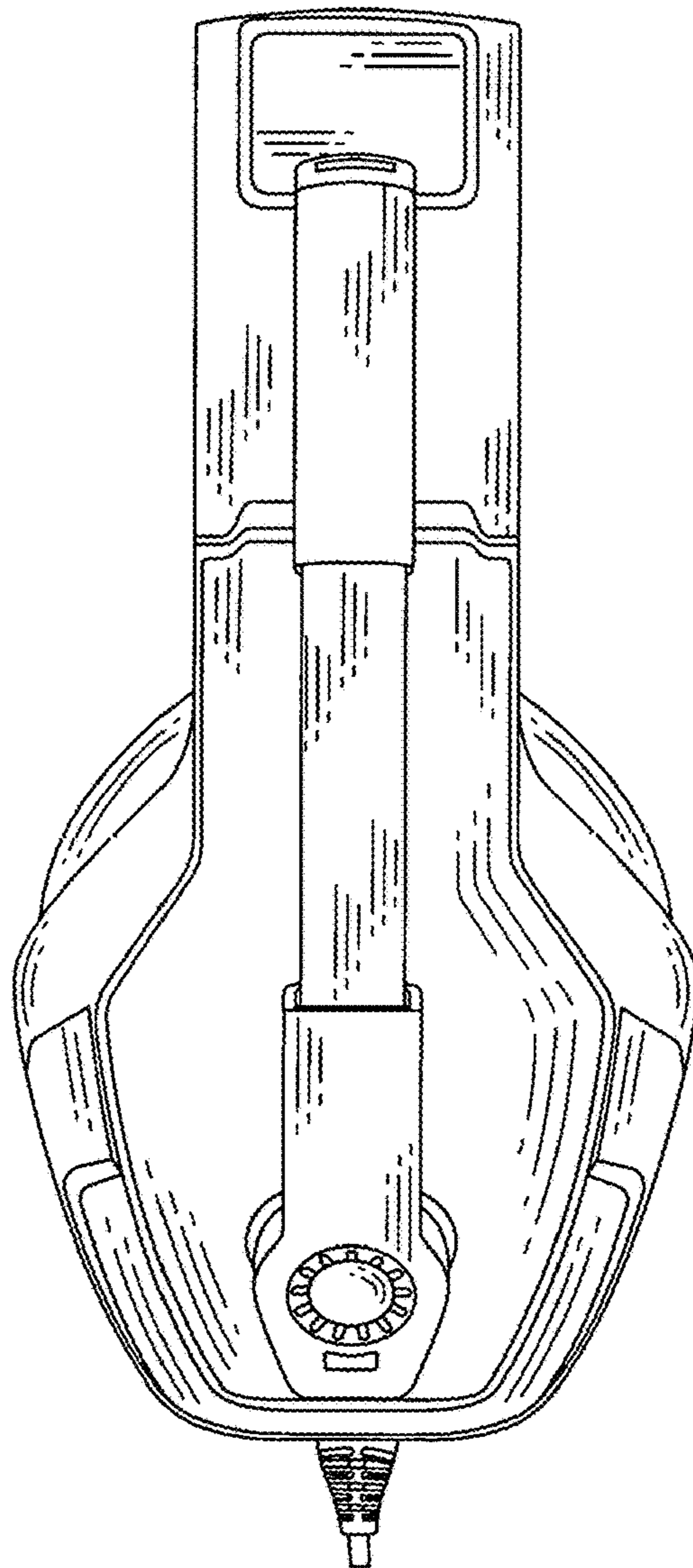


FIG. 4

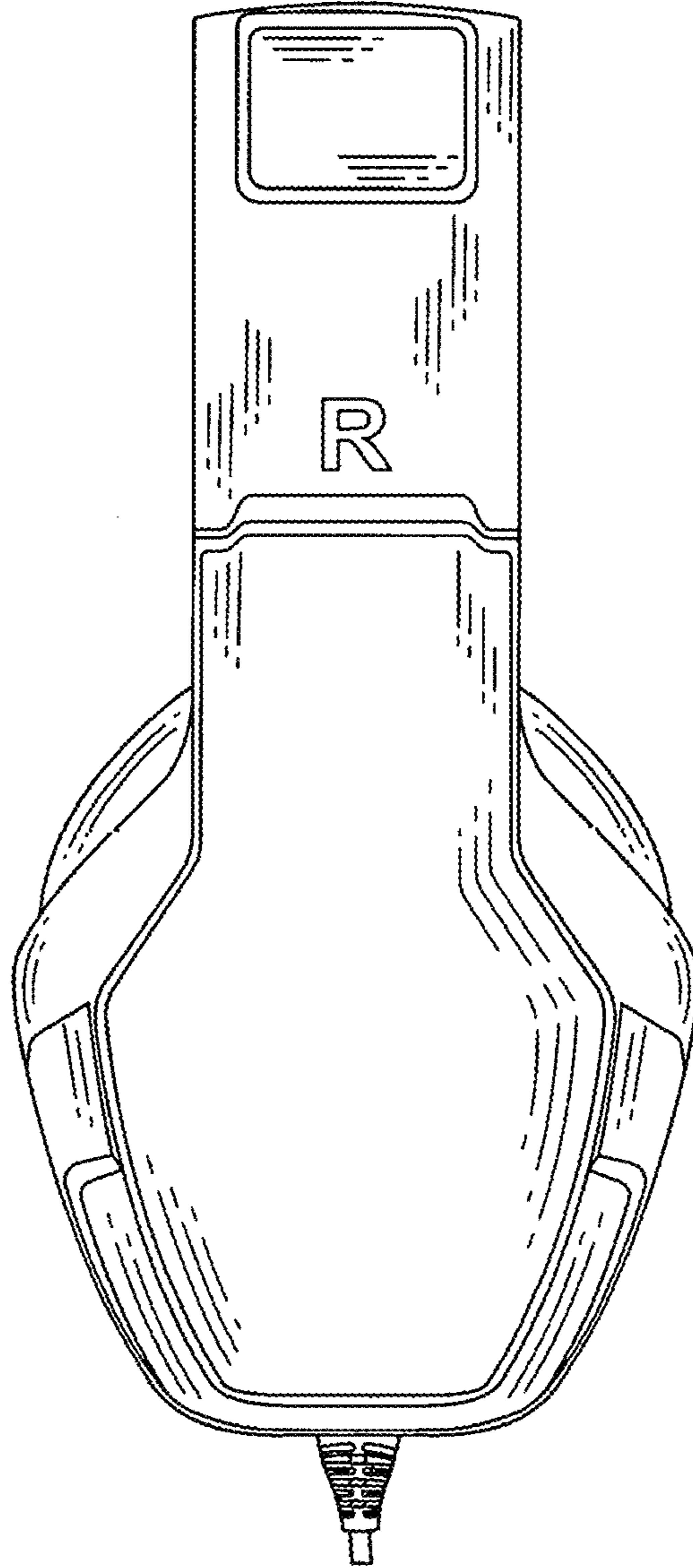


FIG. 5

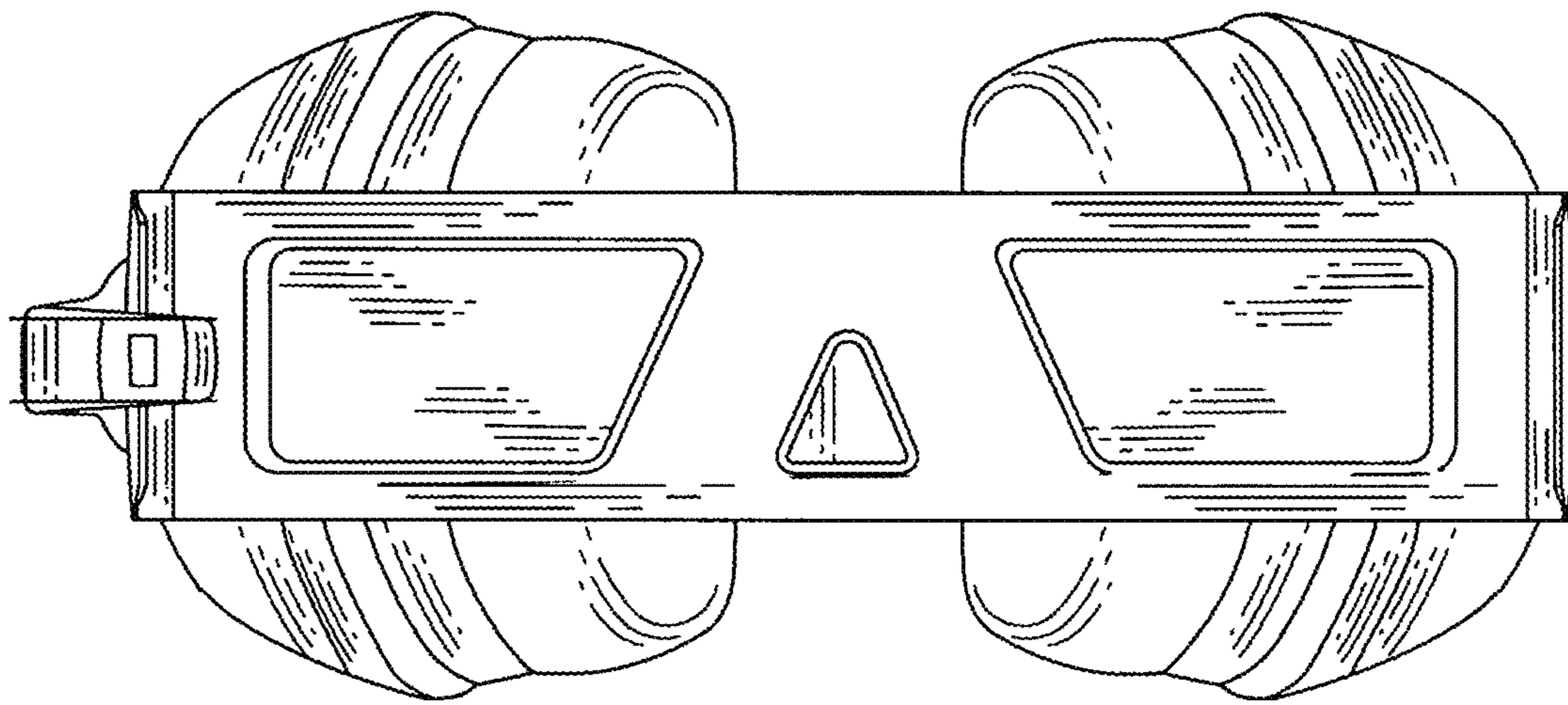


FIG. 6

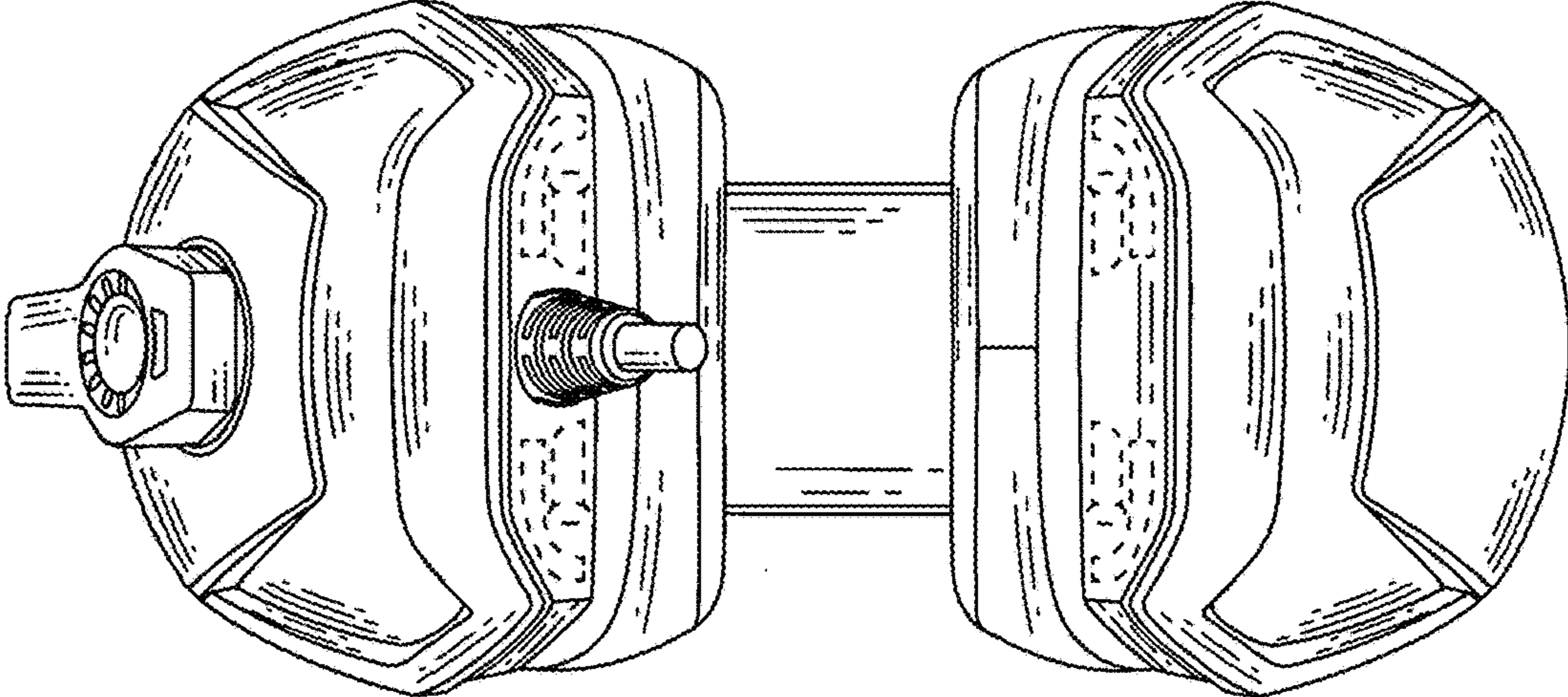


FIG. 7