



US00D868733S

(12) **United States Design Patent**
Luo

(10) **Patent No.:** **US D868,733 S**

(45) **Date of Patent:** **** Dec. 3, 2019**

(54) **HEADSET**

(71) Applicant: **Zeqin Luo**, Dongguan (CN)

(72) Inventor: **Zeqin Luo**, Dongguan (CN)

(73) Assignee: **Dongguan bingo electronics co., LTD**,
Dongguan (CN)

(**) Term: **15 Years**

(21) Appl. No.: **29/662,946**

(22) Filed: **Sep. 10, 2018**

(51) **LOC (12) Cl.** **14-01**

(52) **U.S. Cl.**
USPC **D14/205**

(58) **Field of Classification Search**
USPC D14/205, 188, 192; D29/112; 2/209;
181/129, 130, 135; 379/430, 431;
381/380, 381, 374; 455/90.3, 575.1,
455/569.1
CPC H04R 25/00; H04R 1/1016; H04R 1/1066;
H04R 5/033; H04R 5/0335

See application file for complete search history.

(56) **References Cited**

U.S. PATENT DOCUMENTS

D246,259 S *	11/1977	Nishimura	D14/205
D246,519 S *	11/1977	Kato	D14/205
D254,183 S *	2/1980	Doodson	D14/205
D262,019 S *	11/1981	Upshaw	D14/205
4,429,194 A *	1/1984	Kamon	H04R 1/1016 381/371
D272,904 S *	3/1984	Kawano	D14/205
D292,205 S *	10/1987	Kikutani	381/378
D301,145 S *	5/1989	Besasio	D14/205
D328,461 S *	8/1992	Daido	D14/205
5,640,458 A *	6/1997	Nishiguchi	G11C 7/16 381/2
D431,550 S *	10/2000	Yoneda	D14/205

D453,015 S *	1/2002	Yuyama	D14/192
6,993,143 B2 *	1/2006	Harris	H04R 1/1066 381/374
D530,307 S *	10/2006	Rath	D14/206
D531,165 S *	10/2006	Rath	D14/206
D534,155 S *	12/2006	Obata	D14/205
D563,382 S *	3/2008	Wikel	D14/205
D573,581 S *	7/2008	Gondo	D14/205
D581,394 S *	11/2008	Lee	D14/205
D582,890 S *	12/2008	Koza	D14/205
D589,492 S *	3/2009	Mistry	D14/205
D592,640 S *	5/2009	Tkachuk	D14/205
D625,705 S *	10/2010	Ohori	D14/205
D628,189 S *	11/2010	Rath	D14/206
D639,776 S *	6/2011	Arimoto	D14/205
D643,405 S *	8/2011	Rath	D14/206
8,098,872 B2 *	1/2012	Chang	H04R 1/1075 381/370

(Continued)

FOREIGN PATENT DOCUMENTS

CN	305274971	*	7/2019
CN	205356232	*	9/2019

Primary Examiner — Paula Allen Greene

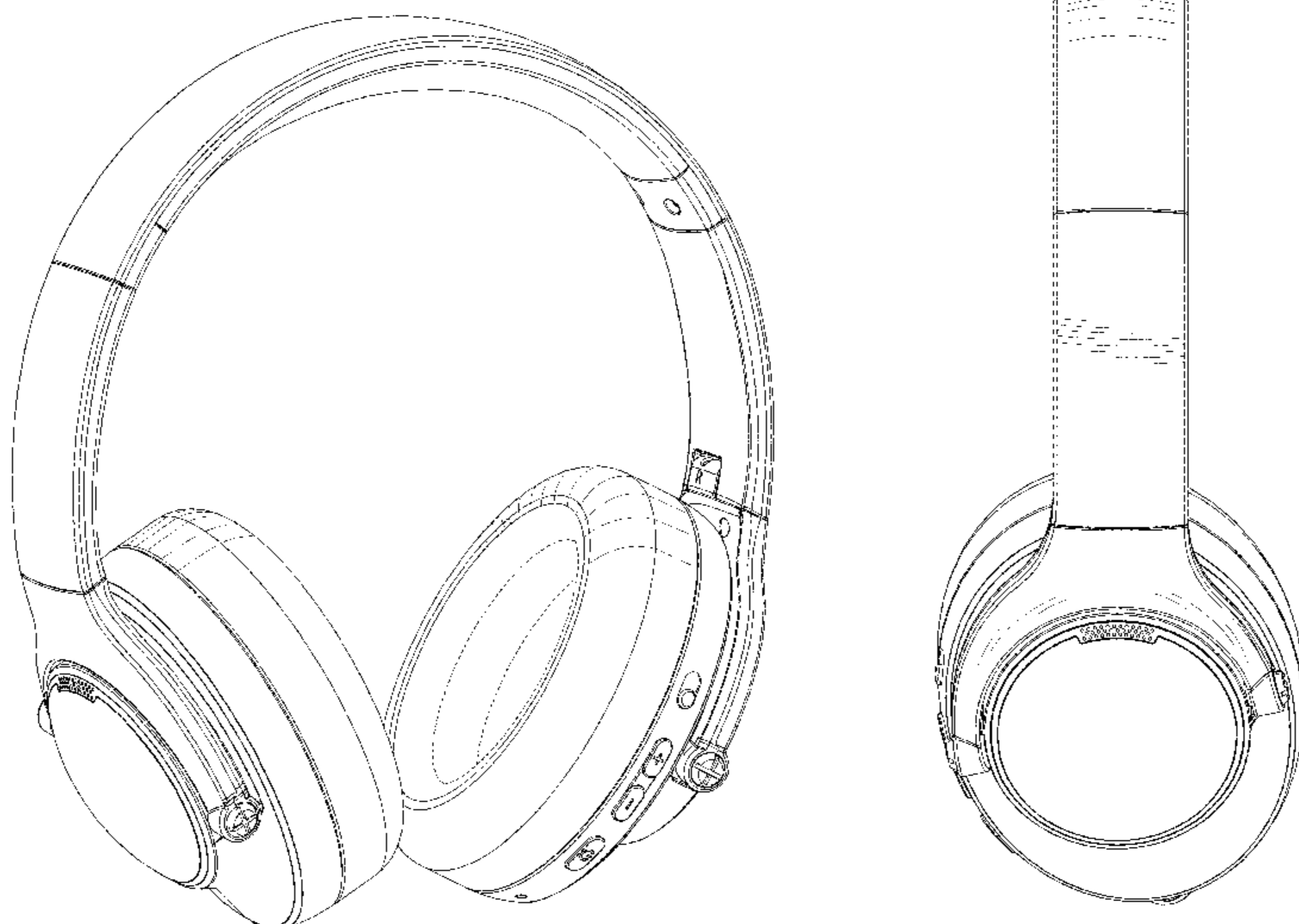
(57) **CLAIM**

The ornamental design for a headset, as shown and described.

DESCRIPTION

FIG. 1 is a perspective view of a headset showing my new design;
FIG. 2 is a front elevational view thereof;
FIG. 3 is a rear elevational view thereof;
FIG. 4 is a left side elevational view thereof;
FIG. 5 is a right side elevational view thereof;
FIG. 6 is a top plan view thereof; and,
FIG. 7 is a bottom plan view thereof.
The broken lines depict environment that forms no part of the claimed design.

1 Claim, 7 Drawing Sheets



(56)

References Cited

U.S. PATENT DOCUMENTS

D657,345 S *	4/2012	Brunner	H04R 1/1008	D14/205
D658,158 S *	4/2012	Suzuki	D14/205	D14/205
D666,168 S *	8/2012	Rath	D14/206	D14/205
D675,595 S *	2/2013	Cho	D14/205	D14/205
D683,329 S *	5/2013	Hagelin	D14/205	D14/205
D691,579 S *	10/2013	Lee	D14/205	D14/205
D696,226 S *	12/2013	Brunner	H04R 1/1008	D14/205
D699,702 S *	2/2014	Chen	D14/205	D14/205
D704,163 S *	5/2014	Brunner	H04R 1/1008	D14/205
D707,200 S *	6/2014	Yang	H04R 1/1066	D14/205
8,774,420 B2 *	7/2014	Belafonte	H04R 1/2811	381/182
D713,374 S *	9/2014	Farrage	D14/205	D14/205
D719,136 S *	12/2014	Schaal	D14/205	D14/205
8,923,525 B2 *	12/2014	Saideh	H04R 1/1033	381/309
D722,998 S *	2/2015	Sancho	D14/205	D14/205
D729,196 S *	5/2015	Liu	D14/205	D14/205
D733,090 S *	6/2015	Petersen	D14/205	D14/205
D739,842 S *	9/2015	Birger	D14/205	D14/205
D769,221 S *	10/2016	Pedersen	D14/206	D14/205
D800,691 S *	10/2017	Ando	D14/205	D14/205
D834,260 S *	11/2018	Garcia Mansilla	D29/112	D14/205
D835,064 S *	12/2018	Morimoto	D14/205	D14/205
D836,084 S *	12/2018	Xie	D14/205	D14/205
D840,370 S *	2/2019	Kelly	D14/205	D14/205
D852,163 S *	6/2019	Nagamine	D14/205	D14/205
D852,775 S *	7/2019	Ando	D14/205	D14/205
D852,776 S *	7/2019	Zhu	D14/205	D14/205
D859,354 S *	9/2019	Xia	D14/205	D14/205
D860,161 S *	9/2019	Xia	D14/205	D14/205
D860,163 S *	9/2019	Xia	D14/205	D14/205
2005/0238189 A1 *	10/2005	Tsai	H04R 1/1075	381/309
2008/0226114 A1 *	9/2008	Thompson	H04R 1/1016	381/380
2010/0310093 A1 *	12/2010	Semcken	H04R 1/1058	381/104
2017/0230746 A1 *	8/2017	Silvestri	H04R 1/1083	

* cited by examiner



FIG. 1



FIG.2



FIG.3

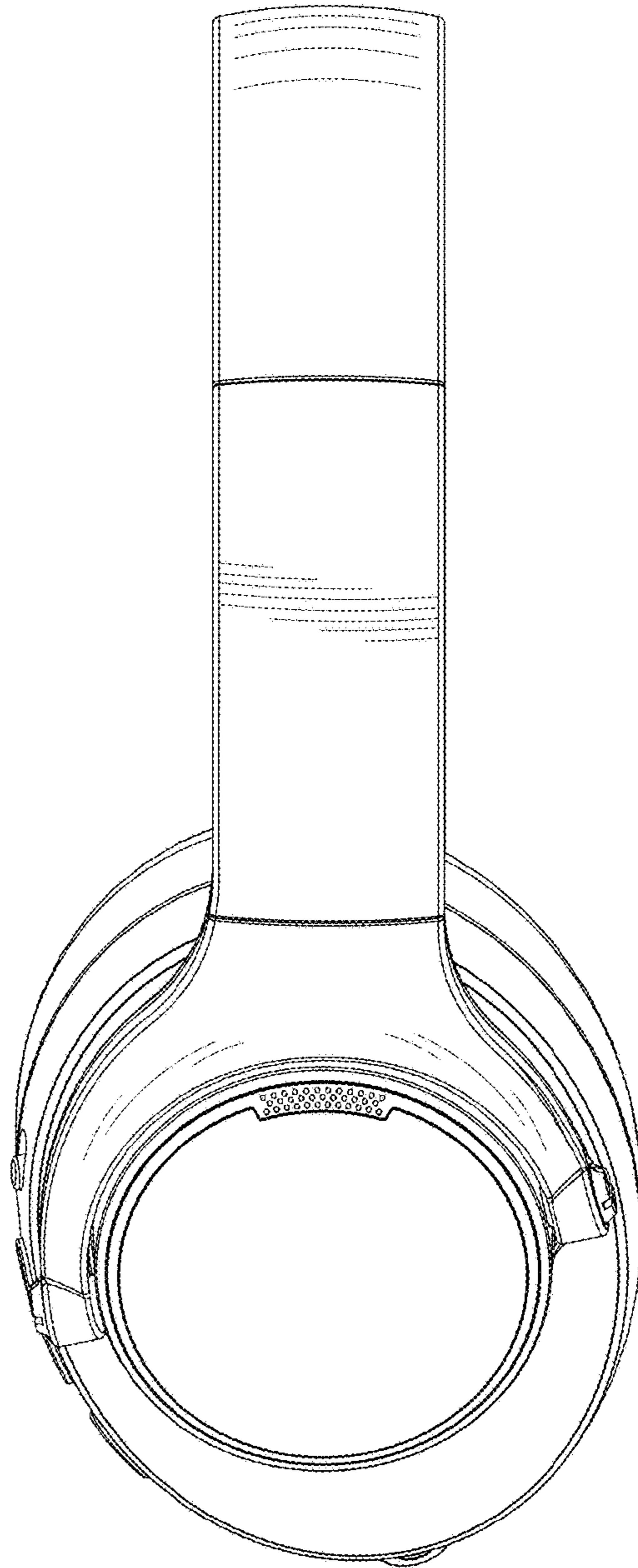


FIG.4

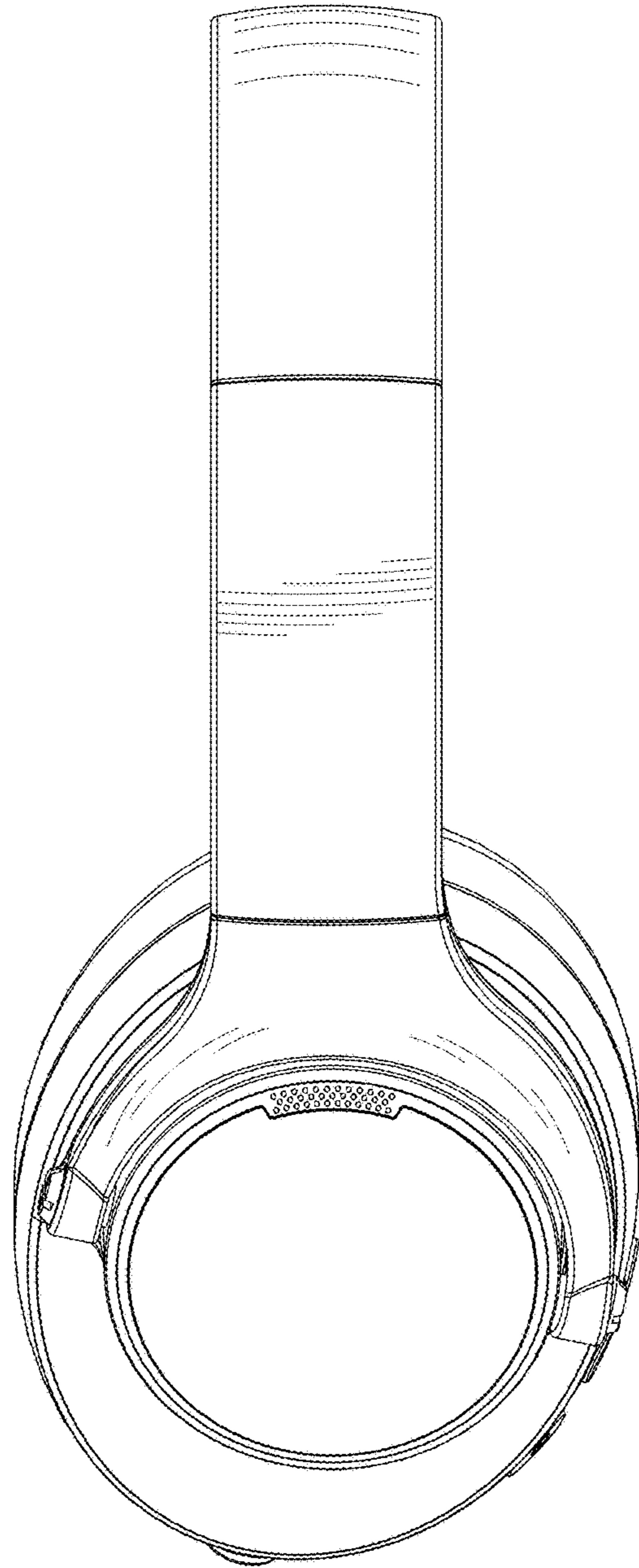


FIG.5

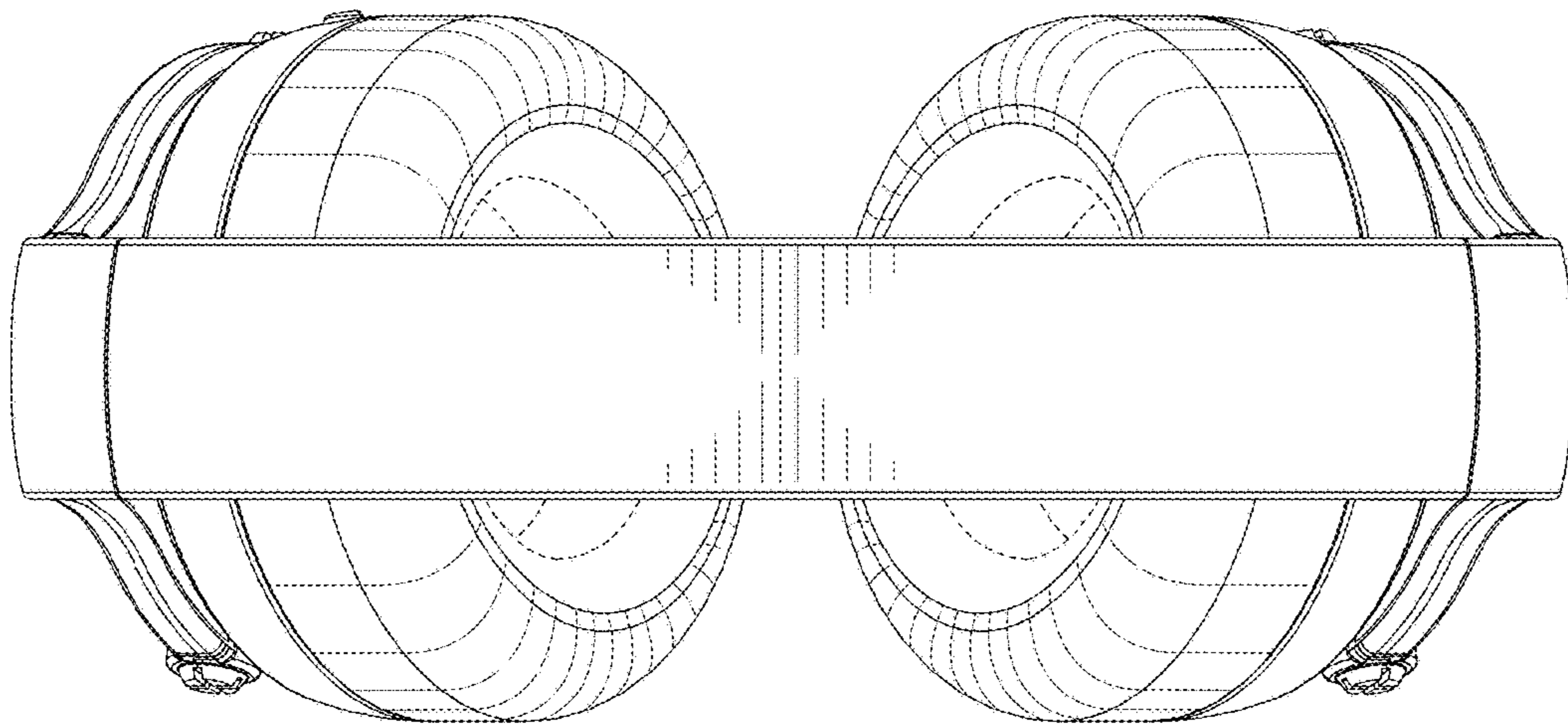


FIG.6

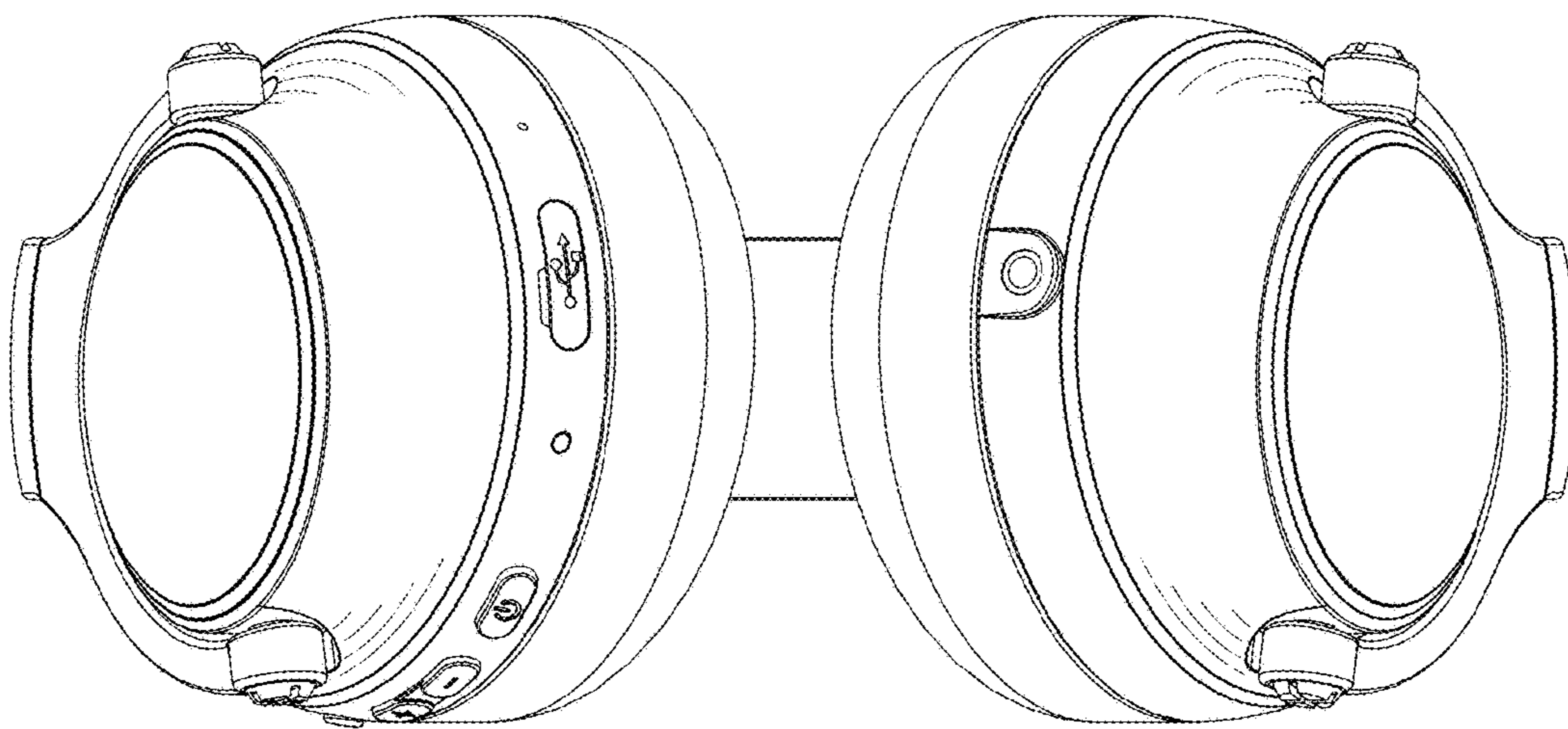


FIG.7